





**[www.CrownAutomotive.net](http://www.CrownAutomotive.net)**  
**[www.facebook.com/crownautomotive](https://www.facebook.com/crownautomotive)**

**Jeep® is a registered trademark of FCA US, LLC.**  
**Crown Automotive Sales Co., Inc. is not affiliated with FCA US, LLC.**

Cherokee™, Wagoneer™, Grand Wagoneer™, Willys™, Commando™, Jeepster™, Wrangler™, Grand Cherokee™, Comanche™, Liberty™, Commander™, Compass™, and Patriot™ are trademarks of FCA US, LLC.

Part numbers listed in this catalog are used for reference purposes only. No implication is made that the actual products sold are the product of the original equipment manufacturer.

Reference to a manufacturer in the catalog does not indicate that the manufacturer is the source or sponsor of the listed product. All products listed in this catalog are being sold without any sponsorship or approval of any auto manufacturer.

This catalog is intended for fast reference use. While every effort has been made to insure correctness of the applications listed, we cannot guarantee accuracy due to many model changes and supersedence of part numbers. Crown Automotive Sales Co., Inc. makes no representation as to the dimensions, assemblies and/or calculations herein, and we will not be liable to any third party should any of the information contained within this catalog be in error.

**Red Catalog also available for 1986–2017 Jeep® vehicles.** Contact us and ask your sales representative to include a red catalog in your next order or just call and request a copy be sent to you.

Massachusetts | **800-343-9666**  
Nevada | **800-453-8220**  
Georgia | **800-241-9462**

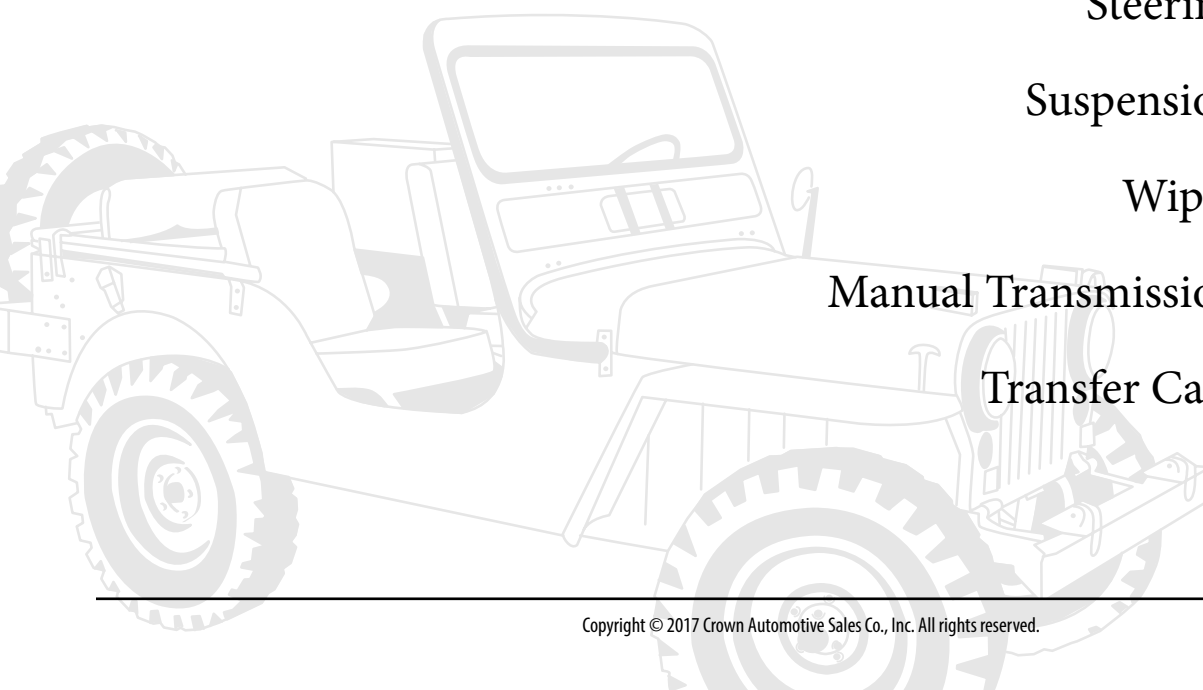




# Table of Contents

---

Vehicle Identification Chart . . . . .	A-2
Axle . . . . .	1-1
Drive Shaft . . . . .	2-1
Clutch . . . . .	3-1
Cooling . . . . .	4-1
Body . . . . .	5-1
Electrical . . . . .	6-1
Fuel . . . . .	7-1
Engine . . . . .	8-1
Brake . . . . .	9-1
Heat and Air Conditioning . . . . .	.10-1
Exhaust . . . . .	.11-1
Steering . . . . .	.12-1
Suspension . . . . .	.13-1
Wiper . . . . .	.14-1
Manual Transmission . . . . .	.15-1
Transfer Case . . . . .	.16-1



# Vehicle ID Chart

---

## MB 1941 to 1945

### Quick ID Features

- 9-Slot Grille
- No Tailgate
- 2-Piece Windshield

### Technical Specifications

**Wheelbase:** 80"  
**Engine:** 4-134 L-Head Go Devil  
**Manual Transmission:** T84 3-Speed  
**Transfer Case:** Dana 18  
**Front Axle:** Dana 25  
**Rear Axle:** Dana 27



## CJ-2A 1945 to 1949

### Quick ID Features

- 7-Slot Grille
- Tailgate
- 2-Piece Windshield

### Technical Specifications

**Wheelbase:** 80"  
**Engine:** 4-134 L-Head Go Devil  
**Manual Transmission:** T90 3-Speed  
**Transfer Case:** Dana 18  
**Front Axle:** Dana 25  
**Rear Axle:** Dana 41



## CJ-3A 1948 to 1953

### Quick ID Features

- 7-Slot Grille
- Tailgate
- 1-Piece Windshield

### Technical Specifications

**Wheelbase:** 80"  
**Engine:** 4-134 L-Head Go Devil  
**Manual Transmission:** T90 3-Speed  
**Transfer Case:** Dana 18  
**Front Axle:** Dana 25  
**Rear Axle:** Dana 44



## CJ-3B 1953 to 1968

### Quick ID Features

- 7-Slot Grille
- 1-Piece Windshield
- 10-1/2" Tall Hood (Fender to Top of Hood)

### Technical Specifications

**Wheelbase:** 80"  
**Engine:** 4-134 F-Head Hurricane  
**Manual Transmission:** T90 3-Speed  
T98 4-Speed  
**Transfer Case:** Dana 18  
**Front Axle:** Dana 25 (1953-65)  
Dana 27 (1966-68)  
**Rear Axle:** Dana 44





## CJ-5 1955 to 1983

### Quick ID Features

- 7-Slot Grille
- 1-Piece Windshield
- Rounded Fenders



### Technical Specifications

#### Wheelbase:

81" (1955-71)  
83.5" (1972-83)

#### Engine:

4-134 F-Head Hurricane (1955-71)  
Buick Dauntless V6-225 (1966-71)  
AMC 3.8L (S6-232) (1966-78)  
AMC 4.2L (S6-258) (1971-83)  
AMC 5.0L (V8-304) (1971-81)  
GM 2.5L (S4-151) (1980-83)  
AMC 2.5L (S4-150) (1983)

#### Manual Transmission:

T4 4-Speed (1982-83)  
T5 5-Speed (1982-83)  
T14 3-Speed (1967-72)  
T15 3-Speed (1971-75)  
T18 4-Speed (1966-83)  
T86 3-Speed (1966-67)  
T90 3-Speed (1955-71)  
T150 3-Speed (1976-79)  
T98 4-Speed (1955-72)  
T176 4-Speed (1980-83)  
T177 4-Speed (1980-83)  
SR4 4-Speed (1980-83)

#### Transfer Case:

Dana 18 (1955-71)  
Dana 20 (1972-79)  
Dana 300 (1980-83)

#### Front Axle:

Dana 25 (1955-65)  
Dana 27 (1966-71)  
Dana 30 (1972-83)

#### Rear Axle:

Dana 44 (1955-75)  
AMC 20 (1976-83)

## CJ-6 1955 to 1975

### Quick ID Features

- 7-Slot Grille
- 1-Piece Windshield
- Rounded Fenders
- Extended Wheelbase and Body



### Technical Specifications

#### Wheelbase:

101" (1955-71)  
104" (1972-75)

#### Engine:

4-134 F-Head Hurricane (1955-71)  
Buick Dauntless V6-225 (1966-71)  
AMC 3.8L (S6-232) (1966-78)  
AMC 4.2L (S6-258) (1971-83)  
AMC 5.0L (V8-304) (1971-81)

#### Manual Transmission:

T14 3-Speed (1967-72)  
T15 3-Speed (1971-75)  
T18 4-Speed (1966-75)  
T86 3-Speed (1966-67)  
T90 3-Speed (1955-71)  
T98 4-Speed (1955-72)

#### Transfer Case:

Dana 18 (1955-71)  
Dana 20 (1972-75)

#### Front Axle:

Dana 25 (1955-65)  
Dana 27 (1966-71)  
Dana 30 (1972-85)

#### Rear Axle:

Dana 44

# Vehicle ID Chart

---

## CJ-7 1976 to 1986

### Quick ID Features

- 7-Slot Grille
- Rounded Fenders
- Wide Door Opening



### Technical Specifications

**Wheelbase:**

93.5"

**Engine:**

AMC 3.8L (S6-232) (1976-78)  
AMC 4.2L (S6-258) (1976-86)  
AMC 5.0L (V8-304) (1976-81)  
GM 2.5L (S4-151) (1980-83)  
AMC 2.5L (S4-150) (1983-86)

**Manual Transmission:**

T150 3-Speed (1976-79)  
T4 4-Speed (1982-86)  
T5 5-Speed (1982-86)  
T18 4-Speed (1966-84)  
T176 4-Speed (1980-86)  
T177 4-Speed (1980-86)  
SR4 4-Speed (1980-83)  
AX4 4-Speed (1984-86)  
AX5 5-Speed (1984-86)

**Transfer Case:**

Dana 20 (1972-79)  
Borg Warner 1305 (1976-79)  
Borg Warner 1339 (1976-79)  
Dana 300 (1980-86)

**Front Axle:**

Dana 30 (1976-86)

**Rear Axle:**

AMC 20 (1976-86)  
Dana 44 (1986)

---

## CJ-8 1981 to 1986

### Quick ID Features

- 7-Slot Grille
- Rounded Fenders
- Wide Door Opening
- Pickup Truck Style



### Technical Specifications

**Wheelbase:**

103.5"

**Engine:**

AMC 4.2L (S6-258) (1981-86)  
AMC 5.0L (V8-304) (1981)  
GM 2.5L (S4-151) (1981-83)  
AMC 2.5L (S4-150) (1983-86)

**Manual Transmission:**

T4 4-Speed (1982-86)  
T5 5-Speed (1982-86)  
T18 4-Speed (1981-84)  
T176 4-Speed (1981-86)  
T177 4-Speed (1981-86)  
SR4 4-Speed (1981-83)  
AX4 4-Speed (1984-86)  
AX5 5-Speed (1984-86)

**Transfer Case:**

Dana 300 (1981-86)

**Front Axle:**

Dana 30 (1981-86)

**Rear Axle:**

AMC 20 (1981-86)  
Dana 44 (1986)



## VJ Jeepster 1948 to 1950

### Quick ID Features

- 10-Slot Pointed Grille
- Convertible
- 2 Wheel Drive

### Technical Specifications

**Wheelbase:** 101”  
**Engine:** 4-134 L-Head Go Devil (1948-49)  
4-134 F-Head Hurricane (1950)  
L6-148 (1948)  
F6-151 (1950)  
**Manual Transmission:** T96 3-Speed  
**Rear Axle:** Dana 23



## M38 1950 to 1952

### Quick ID Features

- 7-Slot Grille
- 1-Piece Windshield
- Bottom-Mounted Windshield Wipers

### Technical Specifications

**Wheelbase:** 80”  
**Engine:** 4-134 L-Head Go Devil  
**Manual Transmission:** T90 3-Speed  
**Transfer Case:** Dana 18  
**Front Axle:** Dana 25  
**Rear Axle:** Dana 44



## M38-A1 1952 to 1963

### Quick ID Features

- 7-Slot Grille
- 2-Piece Windshield
- Top-Mounted Windshield Wipers

### Technical Specifications

**Wheelbase:** 80”  
**Engine:** 4-134 F-Head Hurricane  
**Manual Transmission:** T90 3-Speed  
T98 4-Speed (1955-63)  
**Transfer Case:** Dana 18  
**Front Axle:** Dana 25  
**Rear Axle:** Dana 44



# Vehicle ID Chart

---

## Willys Pickup 1947 to 1965

### Quick ID Features

- Pointed 8-Slot Grille
- Rounded Fenders
- 2-Piece Windshield

### Technical Specifications

**Wheelbase:** 118"

**Engine:** 4-134 L-Head Go Devil (1947-50)  
4-134 F-Head Hurricane (1950-54)  
S6-226 Super Hurricane (1954-62)  
S6-230 (1962-65)

**Manual Transmission:** T90 3-Speed

**Transfer Case:** Dana 18

**Front Axle:** Dana 25 (1947-65)  
Dana 27 (1961-65)

**Rear Axle:** Dana 44 (1947-54)  
Dana 53 (1950-65)



## Willys Sedan Delivery 1948 to 1963

### Quick ID Features

- Pointed 8-Slot Grille
- Rounded Fenders
- 2-Piece Windshield

### Technical Specifications

**Wheelbase:** 104.5"

**Engine:** 4-134 L-Head Go Devil (1948-53)  
4-134 F-Head Hurricane (1950-55)  
S6-226 Super Hurricane (1954-63)

**Manual Transmission:** T90 3-Speed  
T96 3-Speed

**Transfer Case:** Dana 18

**Front Axle:** Dana 25

**Rear Axle:** Dana 23



## Willys Sedan Delivery 1948 to 1963

### Quick ID Features

- Pointed 8-Slot Grille
- Rounded Fenders
- 2-Piece Windshield

### Technical Specifications

**Wheelbase:** 104.5"

**Engine:** 4-134 L-Head Go Devil (1946-53)  
4-134 F-Head Hurricane (1950-55)  
L6-148 (1948-49)  
F6-161 (1950-55)  
S6-226 Super Hurricane (1954-64)

**Manual Transmission:** T90 3-Speed  
T96 3-Speed

**Transfer Case:** Dana 18 (1949-64)

**Front Axle:** Dana 25 (1949-64)

**Rear Axle:** Dana 23  
Dana 44





## Full Size Jeep (SJ) 1963 to 1991

### Quick ID Features

- 2 or 4-Doors
- Full-Bodied
- Fold-Down Tailgate



### Technical Specifications

**Wheelbase:**

109"

**Engine:**

S6-230 (1962-65)  
AMC 5.4L (V8-327) (1965-67)  
Buick 5.7L (V8-350) (1968-70)  
AMC 3.8L (S6-232) (1965-79)  
AMC 4.2L (S6-258) (1971-86)  
AMC 5.9L (V8-360) (1970-91)  
AMC 6.6L (V8-401) (1971-79)

**Manual Transmission:**

T5 5-Speed (1982-86)  
T14 3-Speed (1967-72)  
T15 3-Speed (1971-75)  
T18 4-Speed (1966-84)  
T85 3-Speed (1965-69)  
T86 3-Speed (1966-67)  
T90 3-Speed (1963-74)  
T177 4-Speed (1980-86)

**Transfer Case:**

Dana 20	NP208
Borg Warner BW1305	NP228
Borg Warner BW1339	NP229
NP219	

**Front Axle:**

Dana 27 (1963-70)  
Dana 30 (1971-73)  
Dana 44 (1971-91)

**Rear Axle:**

Dana 44  
AMC 20 (1980-86)

## J-Series Pickup 1963 to 1988

### Quick ID Features

- Cab forward very similar to SJ
- Available in Short or Long Bed
- Fold-Down Tailgate



### Technical Specifications

**Wheelbase:**

116" or 131"

**Engine:**

S6-230 (1962-65)  
AMC 5.4L (V8-327) (1965-67)  
Buick 5.7L (V8-350) (1968-70)  
AMC 3.8L (S6-232) (1965-79)  
AMC 4.2L (S6-258) (1971-86)  
AMC 5.9L (V8-360) (1970-91)  
AMC 6.6L (V8-401) (1971-79)

**Manual Transmission:**

T14 3-Speed (1967-72)  
T15 3-Speed (1971-75)  
T18 4-Speed (1966-84)  
T85 3-Speed (1965-69)  
T86 3-Speed (1966-67)  
T89 3-Speed (1960-66)  
T90 3-Speed (1963-64)  
T177 4-Speed (1980-86)

**Transfer Case:**

Dana 20	NP219
Borg Warner BW1305	NP208
Borg Warner BW1339	NP228

**Front Axle:**

Dana 27 (1963-70)  
Dana 30 (1971-73)  
Dana 44 (1971-91)

**Rear Axle:**

Dana 44  
Dana 53 (1963-71)  
Dana 60 (1969-83)  
AMC 20 (1980-86)

# Vehicle ID Chart

---

## C101 Commando 1966 to 1971

### Quick ID Features

- 7-Slot Grille
- Rounded Fenders
- Forward-Sloping Quarter Panels

### Technical Specifications

**Wheelbase:** 101"  
**Engine:** 4-134 F-Head Hurricane  
Buick Dauntless V6-225  
**Manual Transmission:** T14 3-Speed (1967-71)  
T18 4-Speed  
T86 3-Speed (1966-67)  
T90 3-Speed  
T98 4-Speed



**Transfer Case:** Dana 20  
**Front Axle:** Dana 27  
**Rear Axle:** Dana 30  
Dana 44

## C104 Commando 1972 to 1973

### Quick ID Features

- Full-Width Grille
- Unique Hood
- Forward-Sloping Quarter Panels

### Technical Specifications

**Wheelbase:** 101"  
**Engine:** Buick Dauntless V6-225  
AMC 4.2L (S6-258)  
AMC 5.0L (V8-304)  
**Manual Transmission:** T14 3-Speed  
T15 3-Speed



**Transfer Case:** Dana 20  
**Front Axle:** Dana 30  
**Rear Axle:** Dana 44

## FC-150 1956 to 1964

### Quick ID Features

- Cab-Over Design
- Curved Windshield
- Various Beds Available

### Technical Specifications

**Wheelbase:** 81"  
**Engine:** 4-134 F-Head Hurricane  
**Manual Transmission:** T90 3-Speed  
T98 4-Speed  
**Transfer Case:** Dana 18



**Front Axle:** Dana 25  
**Rear Axle:** Dana 44  
Dana 53

## FC-170 1957 to 1964

### Quick ID Features

- Cab-Over Design
- Curved Windshield
- Various Beds Available

### Technical Specifications

**Wheelbase:** 103"  
**Engine:** S6-226 Super Hurricane  
**Manual Transmission:** T90 3-Speed  
T98 4-Speed  
**Transfer Case:** Dana 18



**Front Axle:** Dana 44  
**Rear Axle:** Dana 44  
Dana 53  
Dana 70

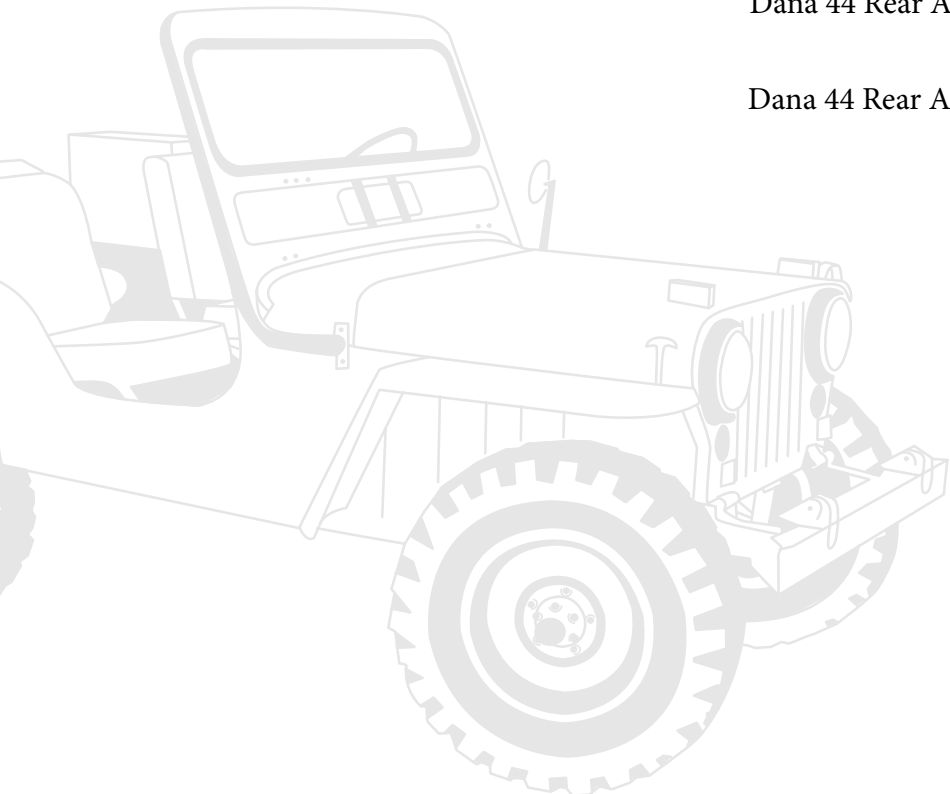


## Front Axles

Dana 25 Front Axle . . . . .	1-2
Dana 27 Front Axle . . . . .	1-4
Dana 44 Front Axle . . . . .	1-6
Dana 30 Front Axle . . . . .	1-10

## Rear Axles

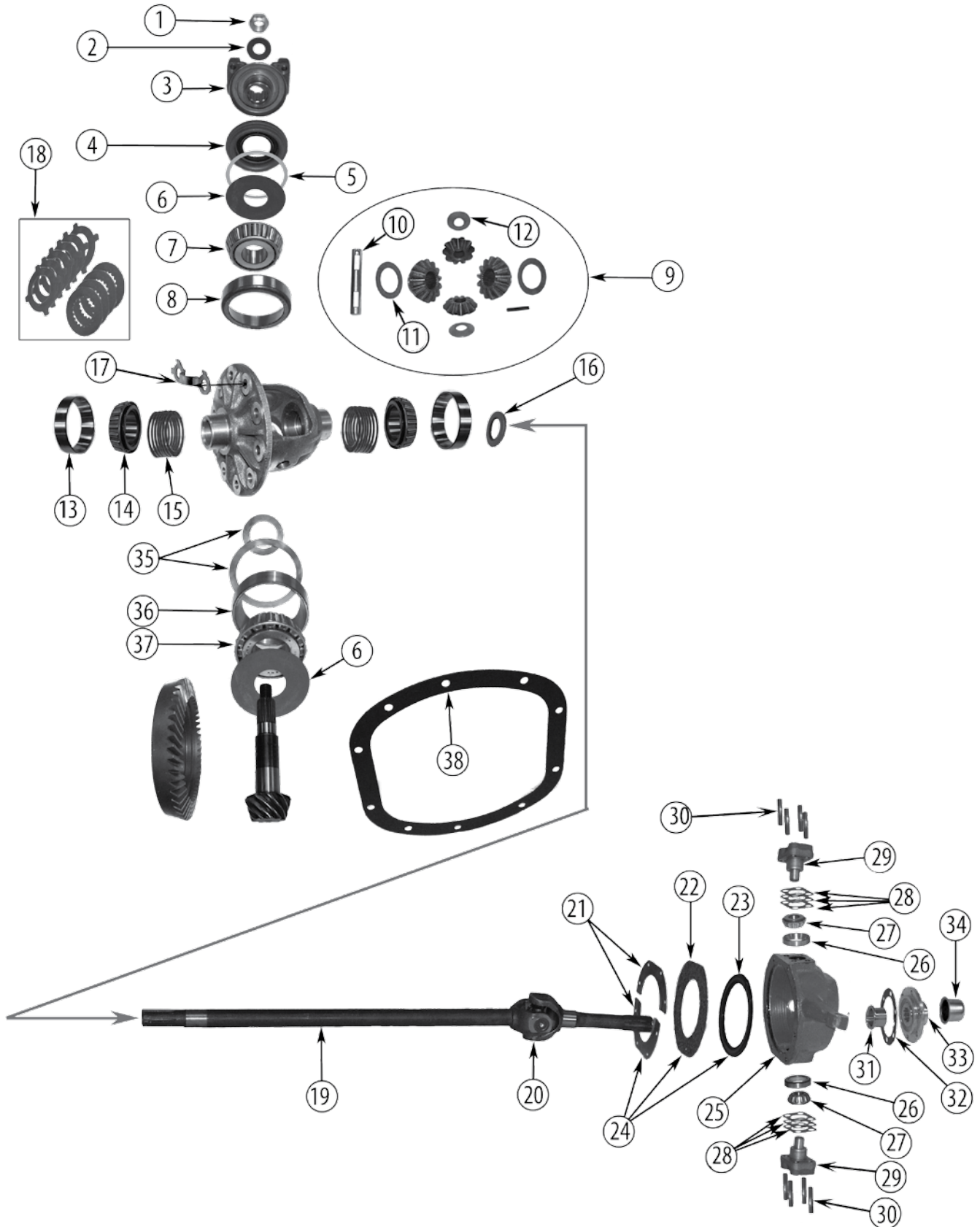
AMC 20 Rear Axle . . . . .	1-14
Dana 27 Rear Axle . . . . .	1-18
Dana 30 Rear Axle . . . . .	1-20
Dana 44 Rear Axle w/ Flanged Axles . . . . .	1-22
Dana 44 Rear Axle w/ Tapered Axles . . . . .	1-26
Dana 53 Rear Axle . . . . .	1-28
Dana 41 Rear Axle . . . . .	1-30
Dana 60 Rear Axle . . . . .	1-30



# Axle

# Dana 25 Front Axle

1941-65 MB, M38, M38-A1, CJ-2A, 3A, 3B, 5, 6  
1949-65 FC-150, Willys Pickup, Sedan Delivery, Station Wagon



# Dana 25 Front Axle

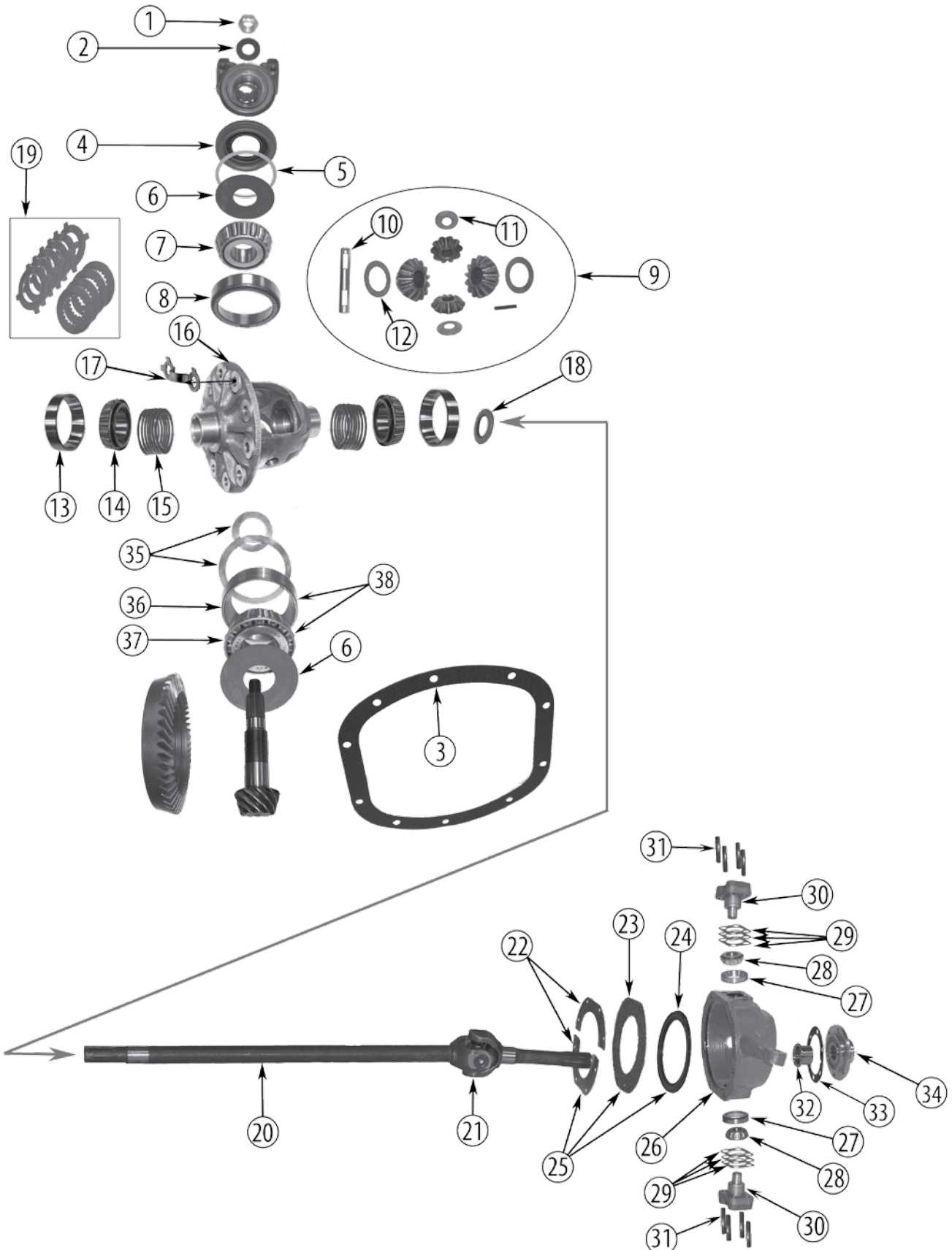
# Axle

Item #	Description	Application	Comments	Replaces Part #
1	Nut, Pinion	All		J0801367
2	Washer, Pinion	All		J4004913
3	Yoke, Pinion	All	10 Splines w/ Slinger	A1445
4	Seal, Pinion	All		J0998092
5	Gasket, Pinion	All	Paper	J0636565
6	Slinger, Pinion	All		J0636566
7	Bearing, Pinion	All	Outer	J0052878
8	Cup, Pinion Bearing	All	Outer	J0052879
7 & 8	Pinion Bearing Set	All	Outer	J8124052
9	Gear Set, Differential	All	Standard	J0926544
10	Shaft, Differential	All	Standard	JA000798
11	Washer, Differential Side Gear	All	Standard	JA000795
12	Washer, Differential Spider Gear	All	Standard	JA000797
13	Cup, Differential Bearing	All	2 Required	52881
14	Bearing, Differential	All	2 Required	J3105346
15	Shim Set, Differential	All		J0648061
16	Seal, Axle Shaft	All	Inner	JA000779
17	Strap, Ring and Pinion	All	Locks Ring Gear Bolts (4 Per Differential)	A792
18	Clutch Disc Kit, Differential	All	Power-Lok	J8126153
19	Shaft, Axle, Spicer Type	All Except Pickup, SW, SD	Left; 34-7/16" Long	909459
		All Except Pickup, SW, SD	Right; 21-9/16" Long	J0909460
20	U-Joint	All w/ Spicer Axle Shafts	Greasable, Fitting in Body	J8136616
		All w/ Spicer Axle Shafts	Greasable, Fitting in Outer Cap	8126637BC
21	Retainer, Steering Knuckle Seal	All	2 Required Per Knuckle	J0908006
22	Seal, Steering Knuckle	All	Felt	J0908005
23	Seal, Steering Knuckle	All	Rubber	J0909854
24	Seal Kit, Steering Knuckle	All	w/o Hardware (One Side)	J0915664
		All	w/ Hardware (One Side)	J0998445
		All	w/o Hardware (Two Sides)	J0908226
25	Knuckle, Steering	All Except MB, Early CJ-2A	Left	J0805783
		All Except MB, Early CJ-2A	Right	J0805784
26	Cup, King Pin Bearing	All	Upper or Lower	J0052941
27	Bearing, King Pin	All	Upper or Lower	J0052940
28	Shim Kit, King Pin Bearing	All	Upper or Lower	JA006882
29	Cap, King Pin	All Except MB	Upper	J0910901
		All	Lower	J0910901
30	Stud, King Pin	All	16 Required Per Vehicle	J0643754
31	Bushing, Spindle	All w/ Rzeppa or Spicer Axles	Left or Right	J0649783
32	Gasket, Axle Shaft Flange	All	Left or Right	J0649784
33	Flange, Axle Shaft	All	Left or Right	JA000868
34	Dust Cap	All	Left or Right	J5362283
35	Shim Set, Pinion	All		J0649228
36	Cup, Pinion Bearing	All	Inner	J0052877
37	Bearing, Pinion	All	Inner	J0807266
38	Gasket, Differential Cover	All		J8120360

# Axle

# Dana 27 Front Axle

1966-1971 CJ-3B, 5, 6, C101 Commando  
1961-1970 SJ, J-Series, Willys Pickup





# Dana 27 Front Axle

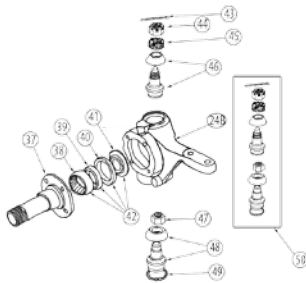
# Axle

Item #	Description	Application	Comments	Replaces Part #
1	Nut, Pinion	All		J0801367
2	Washer, Pinion	All		J4004913
3	Gasket, Differential Cover	All		J8120360
4	Seal, Pinion	All		J0998092
5	Gasket, Pinion	All	Paper	J0636565
6	Slinger, Pinion	All	Inner	J0636566
			Outer	3893982
7	Bearing, Pinion	All	Outer	J0052878
8	Cup, Pinion Bearing	All	Outer	J0052879
7 & 8	Kit, Pinion Bearing	All	Outer; Includes Cone and Cup	J8124052
9	Gear Kit, Differential	All	Standard	J0926544
10	Shaft, Differential	All	Standard	JA000798
11	Washer, Differential Side Gear	All	Standard	JA000795
12	Washer, Differential Spider Gear	All	Standard	JA000797
13	Cup, Differential Bearing	All	2 Required	J3157273
14	Bearing, Differential	All	2 Required	J3156052
15	Shim Set, Differential	All		J0648061
16	Case Only, Differential	All	Standard; 3.73 and Down	934934*
			Standard; 3.92 and Up	926797*
17	Strap, Ring and Pinion	All	Locks Ring Gear Bolts (4 Per Differential)	A792
18	Seal, Axle Shaft	All	Inner	JA000799
19	Clutch Disc Kit, Differential	All	Power-Lok	J8126153
20	Axle Shaft	CJ-3B, 5, 6, w/ Spicer Type	Left, 34-7/16" Long	909459
		CJ-3B, 5, 6, w/ Spicer Type	Right, 21-9/16" Long	J0909460
21	U-Joint	All w/ Spicer Axles	Greasable, Fitting in Body	J8136616
		All w/ Spicer Axles	Greasable, Fitting in Outer Cap	8126637BC
22	Retainer, Steering Knuckle Seal	All	2 Required Per Knuckle	J0908006
23	Seal, Steering Knuckle	All	Felt	J0908005
24	Seal, Steering Knuckle	All	Rubber	J0909854
25	Seal Kit, Steering Knuckle	All	w/o Hardware (One Side)	J0915664
		All	w/ Hardware (One Side)	J0998445
		All	w/o Hardware (Two Sides)	J0908226
26	Knuckle, Steering	All Except C101 Commando	Left	J0805783
		All Except C101 Commando w/ 4-134 F-Head Engine, SJ, J-Series, Willys PU	Right	J0805784
27	Cup, King Pin Bearing	All	Upper or Lower	J0052941
28	Bearing, King Pin	All	Upper or Lower	J0052940
29	Shim Kit, King Pin Bearing	All	Upper or Lower	JA006882
30	Cap, King Pin	All	Upper or Lower	J0910901
31	Stud, King Pin	All	16 Required Per Vehicle	J0643754
32	Bushing, Axle Shaft Spindle	All w/ Rzeppa or Spicer Axles	Left or Right	J0649783
33	Gasket, Axle Shaft Flange	All	Left or Right	J0649784
34	Flange, Axle Shaft Drive	All	Left or Right	JA000868
35	Shim Set, Pinion	All		J0929408
36	Cup, Pinion Bearing	All	Inner	J3156065
37	Bearing, Pinion	All	Inner	J3156066
38	Kit, Pinion Bearing	All	Inner; Includes Cone and Cup	J8126499

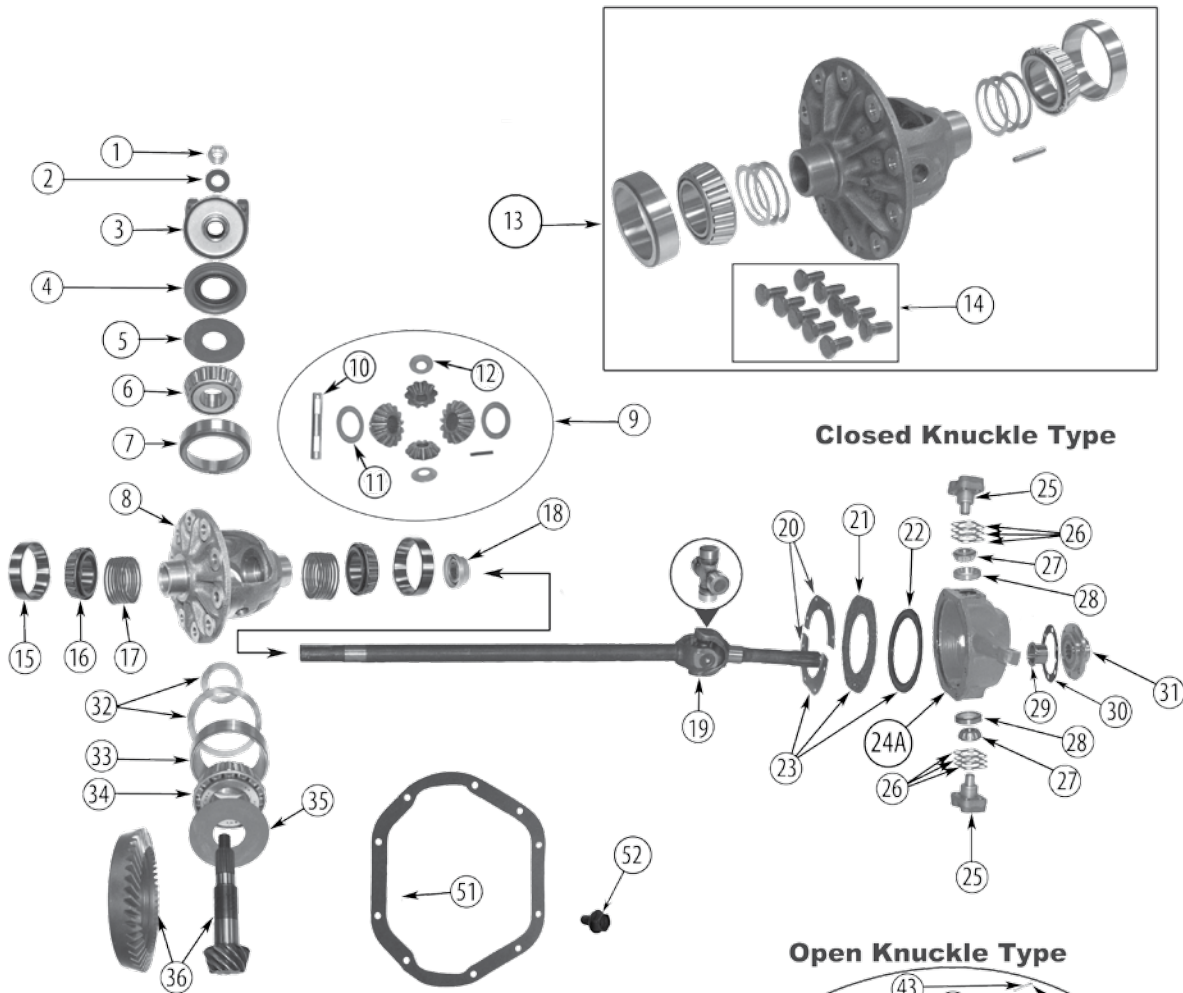
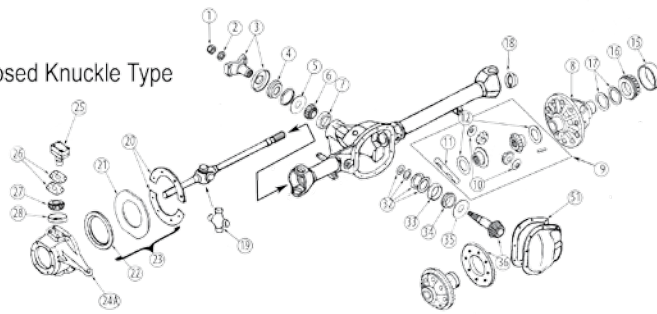
\* Not Currently Available

1971-1991 SJ, J-Series  
1957-1964 FC-170

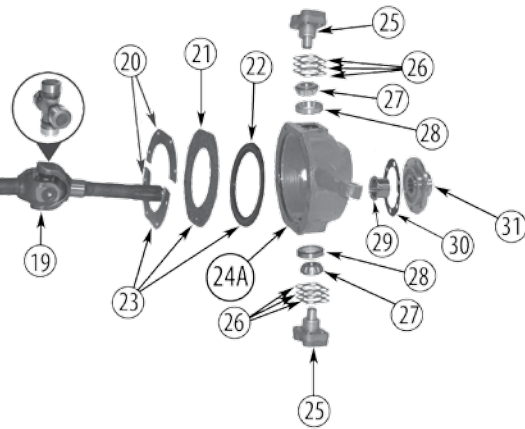
Open Knuckle Type



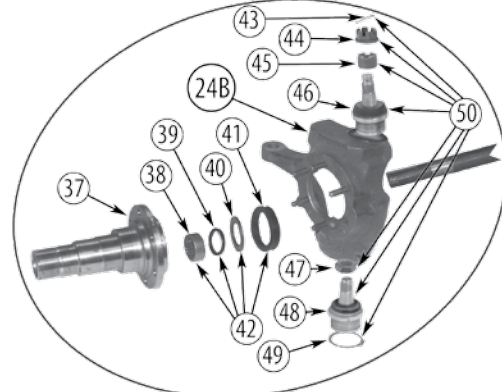
Closed Knuckle Type



Closed Knuckle Type



Open Knuckle Type



# Dana 44 Front Axle

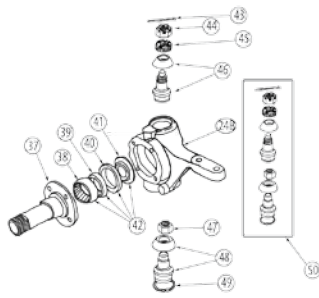
# Axle

Item #	Description	Application	Comments	Includes	Replaces Part #
1	Nut, Pinion	All			J0801367
2	Washer, Pinion	All			J4004913
3	Yoke, Pinion	71/80 SJ, J-Series 81/91 SJ, J-Series FC-170	w/ Spicer Propeller Shaft		J0935685 83503388 A1445
4	Seal, Pinion	FC-170 SJ, J-Series SJ, J-Series	w/o Slinger on Yoke w/ Slinger on Yoke		J0998092 83503390 J0998092
5	Slinger, Pinion	All	Outer		3893982
6	Bearing, Pinion	All	Outer		J0052878
7	Cup, Pinion Bearing	All	Outer		J0052879
6 & 7	Bearing Kit, Pinion	All	Outer	6, 7	J8124052
8	Case Only, Differential	All All	w/ 3.73 and Down; Case Only w/ 3.92 and Up; Case Only		J0991962* J0947057
9	Gear Set, Differential	All 82/84 SJ	w/ Axle Disconnect		J8129228 4762140
10	Shaft, Differential	All			636553
11	Washer, Differential Side Gear	All			J0645789
12	Washer, Differential Spider Gear	All			J3222999
13	Case Kit, Differential	All All	w/ 3.73 and Down w/ 3.92 and Up		J8130017 J8129245
14	Bolt, Ring Gear	All All	Each Set of 10		J0649454 4720891
15	Cup, Differential Bearing	All			J0052980
16	Bearing, Differential	All			J0805311
15 & 16	Bearing Kit, Differential	All	Includes 2 Bearings and 2 Cups	15, 16	J8124071
17	Shim Set, Differential	All All	Shims Only Shims and Differential Cover Gasket		J0806483 J8124791
18	Seal, Axle Shaft	74/79 SJ, J-Series 77/91 SJ, J-Series	2-1/4" Outside Diameter 2-5/8" Outside Diameter		J8124832 83501009
19	U-Joint	57/74 All 74/91 All 74/91 All	1.062" Cap Diameter 1.188" Cap Diameter 1.188" Cap Diameter; Heavy Duty Spicer®		J8136616 J8126638 8126638SP
20	Retainer, Steering Knuckle Seal	57/73 All	2 Required Per Knuckle		J0908006
21	Seal, Steering Knuckle	57/73 All	Felt		J0908005
22	Seal, Steering Knuckle	57/73 All	Rubber		J0909854
23	Seal Kit, Steering Knuckle	57/73 All 57/73 All 57/73 All	w/o Hardware (One Side) w/ Hardware (One Side) w/o Hardware (Two Sides)		J0915664 J0998445 J0908226
24A	Knuckle, Steering, Closed	FC-170 FC-170	Right Left		J0805784 J0805783

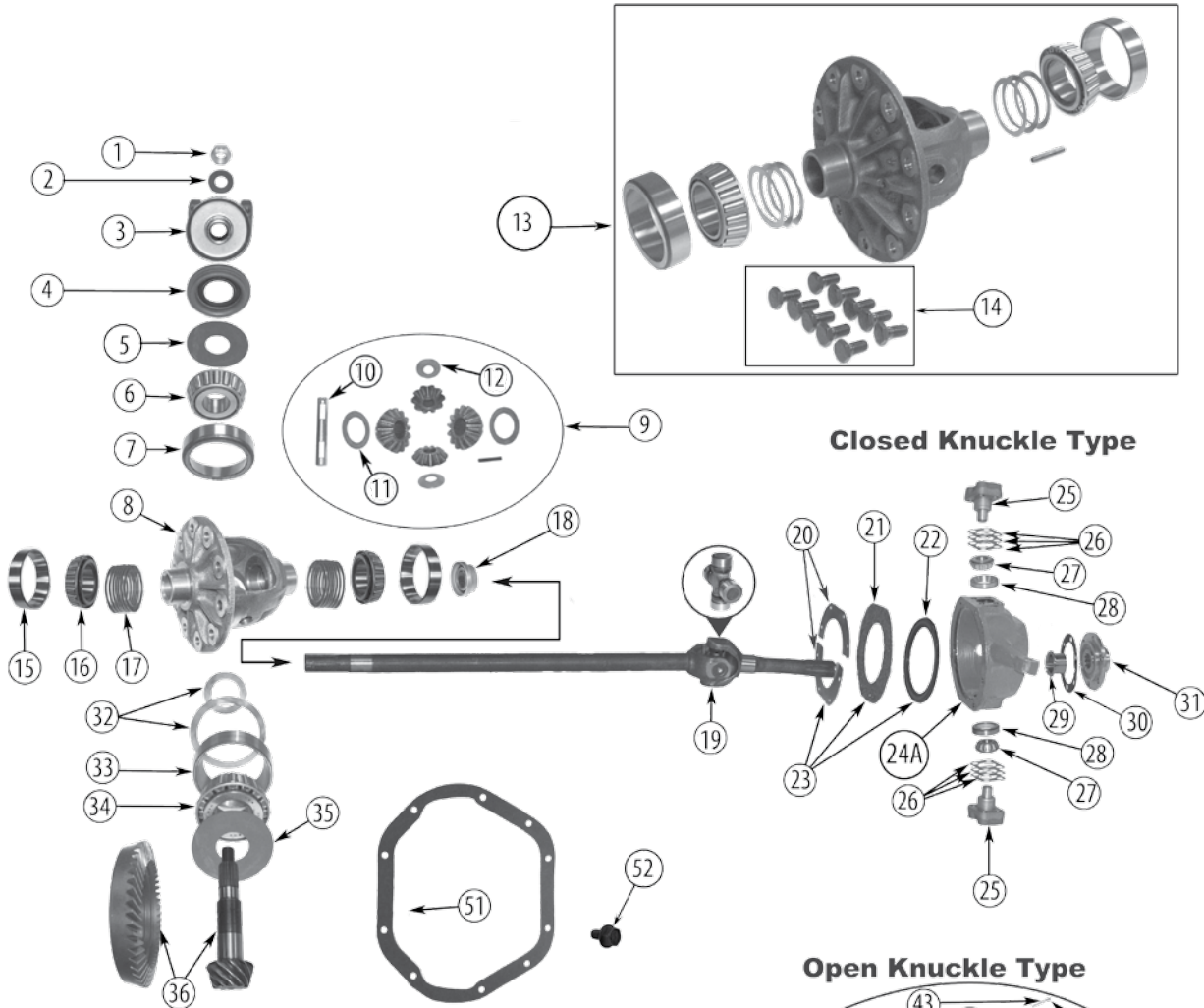
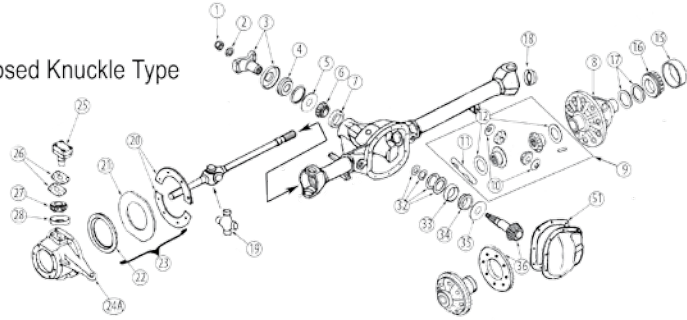
\* Not Currently Available

Continued on Next Page

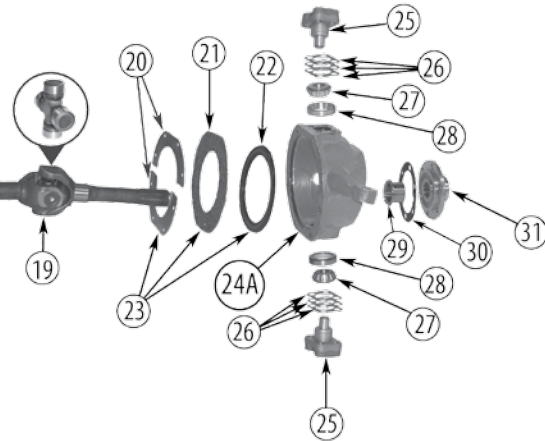
Open Knuckle Type



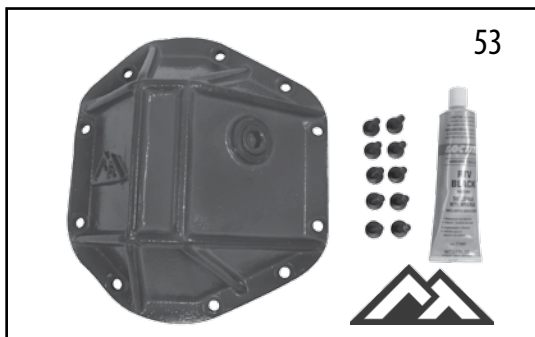
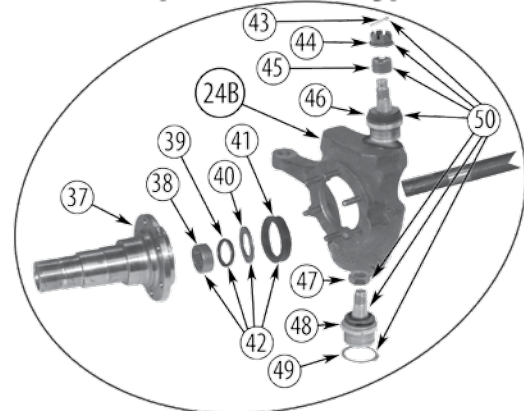
Closed Knuckle Type



Closed Knuckle Type





Open Knuckle Type



# Dana 44 Front Axle

# Axle

Item #	Description	Application	Comments	Includes	Replaces Part #
24B	Knuckle, Steering	74/77 SJ, J-Series	w/ Disc Brakes; Left; Open Style		J8124371
25	Cap, King Pin	57/73 All	Upper or Lower		J0910901
26	Shim Set, King Pin	57/73 All	Upper or Lower		JA006882
27	Bearing, King Pin	57/73 All	Upper or Lower		J0052940
28	Cup, King Pin Bearing	57/73 All	Upper or Lower		J0052941
29	Bushing, Spindle	57/73 All 74/91 SJ, J-Series	Flanged Bronze Bushing Bearing		J0649783 J8121402
30	Gasket, Drive Flange	57/73 All	6-Bolt Pattern		J0649784
31	Flange, Axle Drive	57/73 All	10 Splines		JA000868
32	Shim Set, Pinion	All			J8129221
33	Cup, Pinion Bearing	All	Inner		J0052877
34	Bearing, Pinion	All	Inner		J0807266
33 & 34	Bearing Kit, Pinion	All	Inner	33, 34	J8124051
35	Slinger, Pinion	All	Inner		J0636566
36	Ring and Pinion	All	3.07 Gear Ratio	1, 2, 4, 5, 6, 7, 14, 17, 33, 34, 36, 51	J8129224
		All	3.31 Gear Ratio	1, 2, 4, 5, 6, 7, 14, 17, 33, 34, 36, 51	J8134219
		All	3.54 Gear Ratio	6, 7, 33, 34, 36	J8129217
		All	3.73 Gear Ratio	36	J0935650
		All	3.73 Gear Ratio	1, 2, 4, 5, 6, 7, 14, 17, 33, 34, 36, 51	J8124777
		All	3.92 Gear Ratio	1, 2, 4, 5, 6, 7, 14, 17, 33, 34, 36, 51	J0943188
		All	4.09 Gear Ratio	1, 2, 4, 5, 6, 7, 14, 17, 33, 34, 36, 51	J8129225
		All	4.27 Gear Ratio		J0910073*
		All	4.88 Gear Ratio	1, 2, 4, 5, 6, 7, 14, 17, 33, 34, 36, 51	J8124386
37	Spindle, Steering	FC-170 77/91 SJ, J-Series	Left or Right Left or Right		J8120362 J8128767
38	Bearing, Spindle	74/91 SJ, J-Series			J8121402
39	Seal, Spindle Bearing	74/91 SJ, J-Series			8127351
40	Spacer, Spindle Bearing	74/91 SJ, J-Series			83501113
41	Seal, Axle Shaft	74/91 SJ, J-Series	Outer		J8127350
42	Kit, Bearing Spindle	74/91 SJ, J-Series		38, 39, 40, 41	J8127356
43	Pin, Cotter	74/91 SJ, J-Series	Upper		J8121392
44	Nut, Ball Joint	74/91 SJ, J-Series	Upper		J8121364
45	Ring Split, Ball Joint	74/91 SJ, J-Series	Upper		J8121365
46	Ball Joint	74/91 SJ, J-Series	Upper		J8122495
47	Nut, Ball Joint	74/91 SJ, J-Series	Lower		J8121391
48	Ball Joint	74/91 SJ, J-Series	Lower		J8122496
49	Snap Ring, Ball Joint	74/91 SJ, J-Series	Lower		J8124362
50	Ball Joint Kit	74/91 SJ, J-Series	Upper and Lower	43, 44, 45, 46, 47, 48, 49	J8126509
51	Gasket, Differential Cover	All			J8122409
52	Differential Cover Bolt	74/91 SJ, J-Series			J0273573
53	HD Differential Cover	All	Red	Incl. RTV, 10 Ring Gear Bolts	RT20026 
		All	Black	Incl. RTV, 10 Ring Gear Bolts	RT20032 

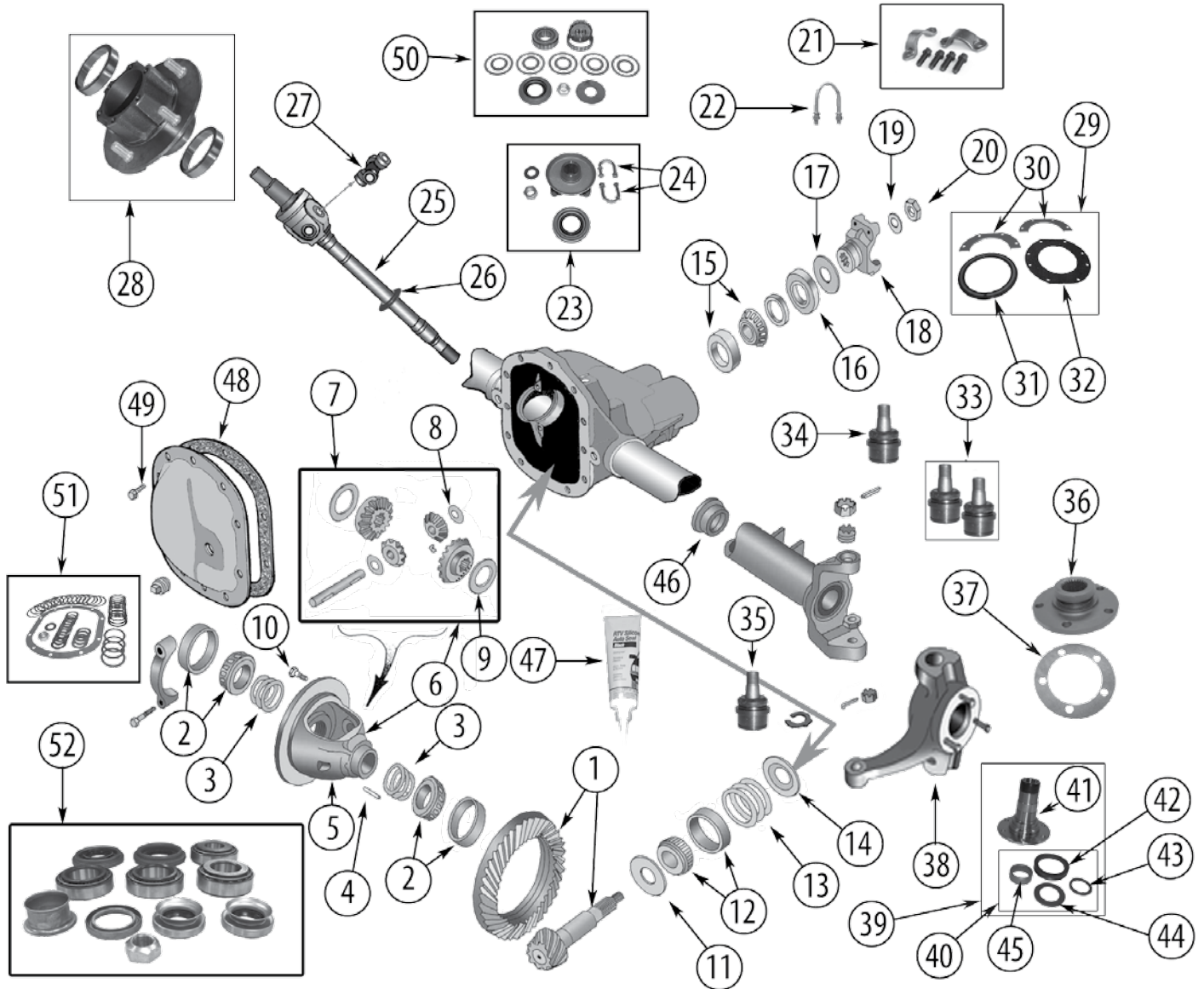
\* Not Currently Available



# Axle

# Dana 30 Front Axle

1972-1986 CJ-5, 6, 7, 8  
 1972-1973 C104 Commando  
 1971-1973 SJ, J-Series



Item #	Description	Application	Comments	Includes Item #s	Replaces Part #
1	Ring and Pinion	All	3.07 (43/14) Ratio	1	J8130381*
		All	3.31 (43/13) Ratio	1	J0945344*
		All	3.54 (46/13) Ratio	1, 3, 10, 11, 12, 13, 14, 15, 16, 17, 19, 20, 48	J8126518
		All	3.73 (41/11) Ratio	1, 3, 10, 11, 12, 13, 14, 15, 16, 17, 19, 20, 48	J0945345
		All	4.10 (41/10) Ratio	1, 3, 10, 11, 12, 13, 14, 15, 16, 17, 19, 20, 48	J8126494
		All	4.27 (47/11) Ratio	1, 3, 10, 11, 12, 13, 14, 15, 16, 17, 19, 20, 48	J8126946
		All	4.56 (41/9) Ratio	1	J8134385
		All	4.88 (39/8) Ratio	1, 3, 10, 11, 12, 13, 14, 15, 16, 17, 19, 20, 48	J0945347

\*Not Currently Available

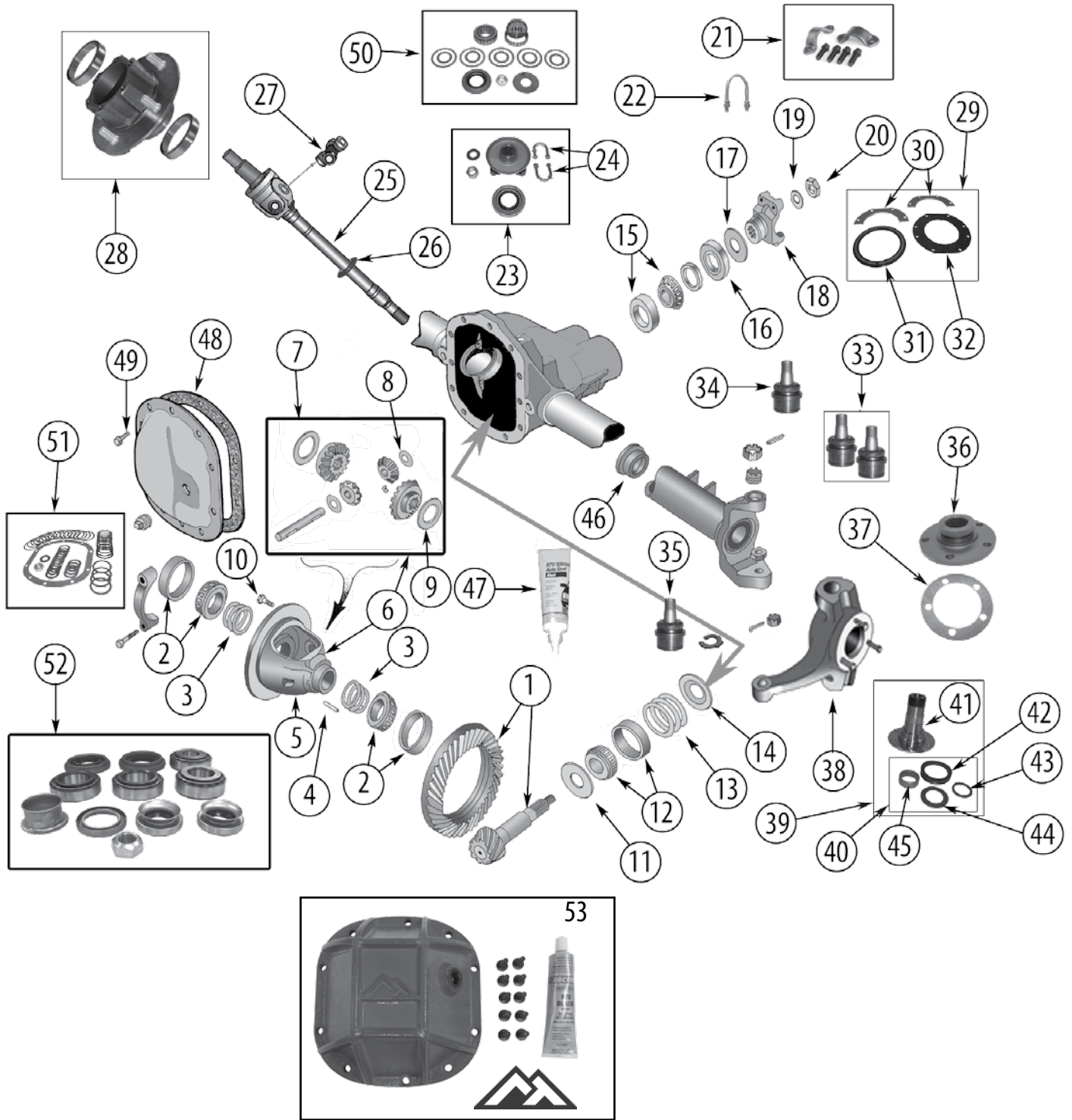
# Dana 30 Front Axle

# Axle

Item #	Description	Application	Comments	Includes Item #s	Replaces Part #
2	Bearing Set, Differential	All	Includes 2 Bearings and 2 Cups		J8126500
3	Shim Set, Differential	All			J8126506
4	Pin, Differential Shaft	All			J0636360
5	Case Only, Differential	All	Standard; w/ Ratio 3.54 and Down		J0947055
		All	Standard; w/ Ratio 3.73 and Up		J8126496
6	Case Assembly, Differential	All	Standard; w/ Ratio 3.54 and Down		J8126513
		All	Standard; w/ Ratio 3.73 and Up		J8126495
7	Gear Set, Differential	All	Standard		J8126497
8	Washer, Differential Spider Gear	All	Standard		J8120831
9	Washer, Differential Side Gear	All	Standard		J8120832
10	Bolt, Ring Gear	All	Each		J0649454
		All	Set of 10		4720891
11	Slinger, Pinion	All	Inner		3893982
12	Bearing Set, Pinion	All	Inner; Includes 1 Bearing and 1 Cup		J8126499
13	Shim Set, Pinion	All			J8126503
		All			J0929408
14	Baffle, Pinion	All	Front		J0934937
15	Bearing Set, Pinion	All	Outer; Includes 1 Bearing and 1 Cup		J8124052
16	Seal, Pinion	All			J0998092
17	Slinger, Pinion	All	Outer		J0636566
18	Yoke, Pinion	72/80 CJ-5, 6, 7	U-Bolt Type; w/ Slinger		J0935685
		81/86 CJ-5, 7, 8	Bolt and Strap Type; w/o Slinger		J8131656
19	Washer, Pinion	All			J4004913
20	Nut, Pinion	All			J0801367
21	Strap and Bolt Kit	All	6-Point, Hex Head		4006698K
		All	12-Point		4006928K
22	U-Bolt	All			JA000490
23	U-Bolt Yoke Kit	All	Includes #s 16, 18, 19, 20, 22		D3044YOKEUBK
24	U-Bolt Kit	All	Includes 2 U-Bolts and Hardware		A490K
25	Axle Shaft	77/83 CJ-5	Right; 22-7/8" Long		J8127598
		77/83 CJ-5	Left; 35-3/4" Long		J8127599
		77/81 CJ-7, 8	Right; 22-7/8" Long		J8127598
		77/81 CJ-7, 8	Left; 35-3/4" Long		J8127599
		82/86 CJ-7, 8	Right; 24-9/16" Long		J8134294
		82/83 CJ-7, 8	Left; 37-11/32" Long		J8134293

\*Not Currently Available



Continued on Next Page



Item #	Description	Application	Comments	Includes Item #s	Replaces Part #
26	Slinger, Axle Shaft	76/86	Inner		J8126232
27	U-Joint, Axle	All	Greasable		J8136616
		All	Sealed, Spicer®		8126637SP

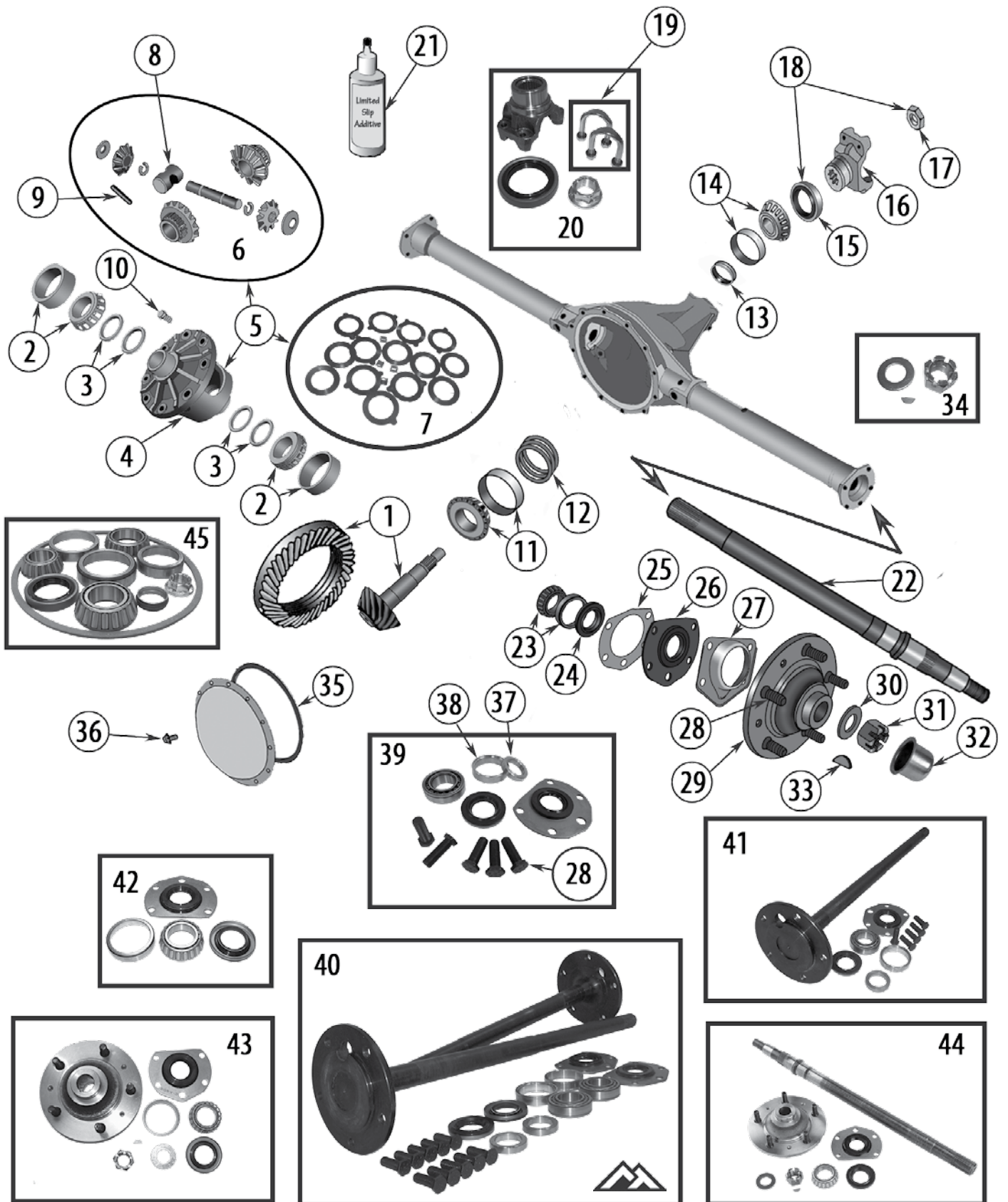
# Dana 30 Front Axle

# Axle

Item #	Description	Application	Comments	Includes Item #s	Replaces Part #
28	Hub Assembly	78/81 CJ-5, 7, 8 81/86 CJ-5, 7, 8	w/ Disc Brakes w/ 6-Bolt Hub w/ 5-Bolt Hub		5358568H 5363421H
29	Seal Kit, Knuckle	SJ, J-Series SJ, J-Series SJ, J-Series	w/o Hardware (One Side) w/ Hardware (One Side) w/o Hardware (Two Sides)		J0915664 J0998445 J0908226
30	Retainer, Steering Knuckle Seal	SJ, J-Series	2 Required Per Knuckle		J0908006
31	Seal, Knuckle	SJ, J-Series	Rubber		J0909854
32	Seal, Knuckle	SJ, J-Series	Felt		J0908005
33	Ball Joint Kit	All Except SJ, J-Series			J8126509
34	Ball Joint, Upper	All Except SJ, J-Series			J8122495
35	Ball Joint, Lower	All Except SJ, J-Series			J8122496
36	Flange, Axle Drive	71/81 CJ-5, 6, 7, 8 81/86 CJ-5, 7, 8	Mounts w/ 6 Bolts Mounts w/ 5 Bolts		J0999396 J5362000
37	Gasket, Axle Flange	71/81 CJ-5, 6, 7, 8 81/86 CJ-5, 7, 8	Mounts w/ 6 Bolts Mounts w/ 5 Bolts		J0649784 J5362001
38	Knuckle, Steering	SJ, J-Series	Left		J0805783
39	Spindle Kit	77/86 CJ-5, 7, 8	Left or Right	40, 41	J8128147
40	Spindle Service Kit	71/76 All Vehicles 77/86 CJ-5, 7, 8	Left or Right Left or Right	42, 43, 44, 45 42, 43, 44, 45	J8126510 J8127356
41	Spindle, Steering	72/76 All Vehicles	Left or Right; w/o Bearings and Seals		J8121403
42	Seal, Axle Shaft	77/86 CJ-5, 7, 8	Outer		J8127350
43	Seal, Spindle	77/86 CJ-5, 7, 8			J8127351
44	Spacer, Spindle Bearing	77/86 CJ-5, 7, 8			83501113
45	Bearing, Spindle	All All	Needle Bearing Bushing		J8121402 J0649783
46	Seal, Axle	CJ-5, 6, 7, 8, C104 SJ, J-Series	Inner Inner		J8121781 J8120358
47	Sealant	All	RTV		J8993317
48	Gasket, Differential Cover	All	Paper		J8120360
49	Bolt, Differential Cover	76/86 CJ-5, 7, 8			J0273573
50	Bearing Kit, Pinion	CJ-5, 6, 7, 8		11, 12, 13, 15, 16, 20	D30EPBK
51	Master Shim Kit	All		3, 13, 19, 20, 48	J8126502
52	Master Bearing and Seal Kit	All		2, 12, 15, 16, 20, 42	D30EMASKIT
53	HD Differential Cover	All All	Red Black	47, 49 47, 49	RT20024  RT20030 



1976-1986 CJ-5, 7, 8  
1980-1986 SJ, J-Series





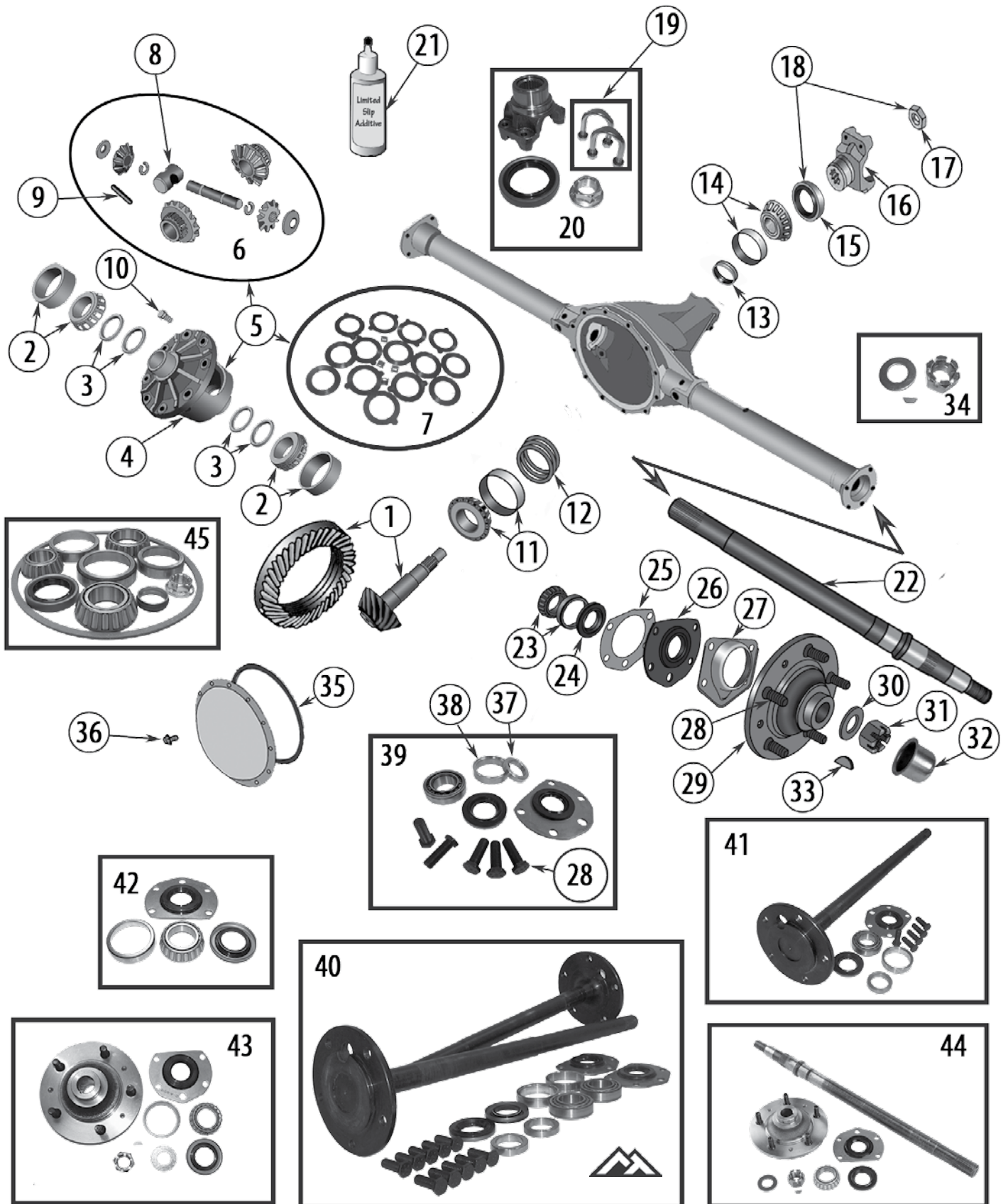
# AMC 20 Rear Axle

# Axle

Item#	Description	Application / Position			Comments	Size	Replaces Part #
1	Ring and Pinion Set	All			2.73 Ratio (41/15)		J8132699 *
		All			3.31 Ratio (43/13)		J8132700
		All			3.54 Ratio (39/11)		J4486825
		All			4.10 Ratio (41/10)		J8127072
		All			4.56 Ratio (41/9)		J8134410
2	Bearing Set, Differential	All			Includes 2 Bearings and 2 Cups		4864213
3	Shim Set, Differential	All					J3205532
4	Case Only, Trac-Lok	76/86	CJ-5, 7, 8		w/ 3.31, 3.54, 3.73, 4.10, 4.56 Ratio		J8120280
5	Case Assembly, Trac-Lok	76/86	CJ-5, 7, 8		w/ 3.31, 3.54, 3.73, 4.10, 4.56 Ratio		J3212192
6	Gear Set, Differential	All			Standard		J8127092
		All			Trac-Lok		J8120326
7	Disc Kit, Differential	All			Trac-Lok		J8120325
8	Spacer, Differential	76/86	CJ-5, 7, 8				J3162323
9	Differential Shaft Pin	All					G455313
10	Bolt, Ring Gear	All					J4004051 *
11	Bearing Set, Pinion	All	Inner				4746979
12	Shim Set, Pinion	All					3205533K
13	Spacer, Pinion	All					J3185971
14	Bearing Set, Pinion	All	Outer				4864210
15	Seal, Pinion	All					83504946
16	Yoke, Pinion	All			U-Bolt Type		J8129201
		All			Strap and Bolt Type		83502058
17	Nut, Pinion	All					J3182601
18	Pinion Seal Kit	All			Includes #15 and 17		J3208474
19	U-Bolt Kit	All					A490K
20	U-Bolt and Yoke Kit	All			Includes #16, 18 and 19		AMC20YOKEUBK
21	Limited Slip Additive	All			4 oz. Bottle		4318060AB
22	Axle Shaft	76/83	CJ-5	Left	Less Quadra-Trac	26-5/16"	J8127070
		76/81	CJ-7	Left	Less Quadra-Trac	26-5/16"	J8127070
		76/83	CJ-5	Right	Less Quadra-Trac	29-1/4"	J8127071
		76/81	CJ-7	Right	Less Quadra-Trac	29-1/4"	J8127071
		82/86	CJ-7, 8	Left	Less Quadra-Trac	28-9/16"	J8133885
		82/86	CJ-7, 8	Right	Less Quadra-Trac	31-9/16"	J8133886
		76/79	CJ-5, 7	Left	w/ Quadra-Trac	33-1/2"	J8127079
		76/79	CJ-5, 7	Right	w/ Quadra-Trac	22"	J8127081
		80/86	SJ	Left	Flanged	27-3/4"	J3235807
		80/86	SJ	Right	Flanged	29-1/4"	J3235806
		80/86	J-10	Left	Flanged	31-3/4"	J3235809
		80/86	J-10	Right	Flanged	32-1/8"	J3235808
		23	Bearing Kit, Axle Shaft	76/86	CJ-5, 7, 8	L or R	Includes 1 Bearing and 1 Cup
80/86	SJ, J-Series			L or R	Includes 1 Bearing and 1 Cup		83503064




\* Not Currently Available

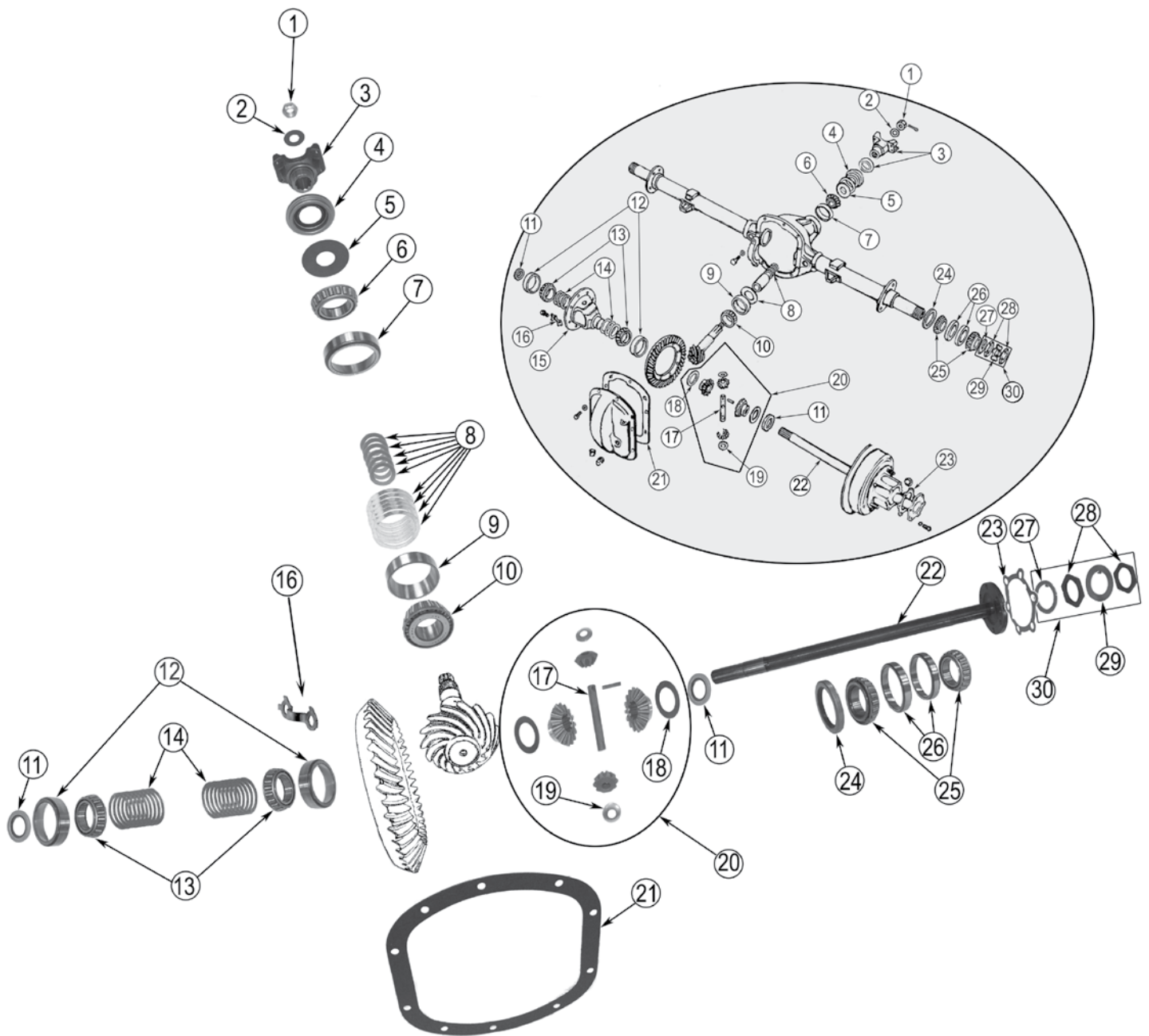
Continued on Next Page



# AMC 20 Rear Axle

# Axle

Item#	Description	Application / Position	Comments	Size	Replaces Part #
24	Seal, Axle Shaft	76/86 CJ-5, 7, 8 Inner			J3170700
		80/86 SJ, J-Series Inner			J3235929
25	Shim, Wheel Bearing	76/86 CJ-5, 7, 8			J3141319
		76/86 CJ-5, 7, 8			J3141320
		76/86 CJ-5, 7, 8			3141319K
26	Seal, Axle Shaft	76/86 CJ-5, 7, 8 Outer			J4485691
		80/86 SJ, J-Series Outer			83503063
27	Retainer, Axle Shaft	76/86 CJ-5, 7, 8			J3184573
		80/86 SJ, J-Series			J8133197
28	Stud, Wheel	76/86 CJ-5, 7, 8			J5355719
		80/86 SJ, J-Series			J3230413
29	Hub	76/86 CJ-5, 7, 8			J8133730
30	Washer, Hub	76/86 CJ-5, 7, 8			J0131018
31	Nut, Hub	76/86 CJ-5, 7, 8			J3155675
32	Dust Cap	76/86 CJ-5, 7, 8			J5362283
33	Key, Axle Shaft	76/86 CJ-5, 7, 8			G103905
34	Nut Kit, Hub	76/86 CJ-5, 7, 8	Includes # 30, 31 and 33		3155675K
35	Gasket, Differential Cover	All			J3172122
36	Bolt, Differential Cover	All	5/16" - 18 x 1/2"		J0273573
37	Retaining Ring, Axle Shaft Bearing	76/86 CJ-5, 7, 8	For use with RT Off-Road One-Piece Axle Kit		SSPACER
38	Bearing, Spicer, Axle Housing	76/86 CJ-5, 7, 8	For use with RT Off-Road One-Piece Axle Kit		LSPACER
39	Axle Shaft Bearing Kit	76/86 CJ-5, 7, 8	For use with RT Off-Road One Piece Axle Kit; One Side		7086BK
40	One Piece Axle Shaft Kit	76/83 CJ-5 L and R	Replacement 1 Pc. Flanged, Less Quadra-Trac		RT23007 
		76/81 CJ-7 L and R			RT23007 
		82/86 CJ-7, 8 L and R			RT23008 
41	One Piece Axle Shaft Kit	82/86 CJ-7, 8 Right	w/o Quadra-Trac		28-7/16" J81338861
		82/86 CJ-7, 8 Left			25-5/8" J81338851
		76/81 CJ-5, 7, 8 Right			26-1/4" J81270711
		76/81 CJ-5, 7, 8 Left			23-5/8" J81270701
42	Bearing and Seal Kit	76/86 CJ-5, 7, 8	One Side		3150046K
		80/86 SJ, J-Series			One Side
43	Hub Kit	76/86 CJ-5, 7, 8			8133730K
44	Axle Shaft Kit	76/83 CJ-5 Left	Less Quadra-Trac		26-5/16" 8127070K
		76/81 CJ-7 Left			26-5/16" 8127070K
		76/83 CJ-5 Right			29-1/4" 8127071K
		76/81 CJ-7 Right			29-1/4" 8127071K
		82/86 CJ-7, 8 Left			28-9/16" 8133885K
		82/86 CJ-7, 8 Right			31-9/16" 8133886K
		76/79 CJ-5, 7 Left			33-1/2" 8127079K
		76/79 CJ-5, 7 Right			22" 8127081K
		76/79 CJ-5, 7 Right			22" 8127081K
45	Bearing and Seal Kit	76/86 CJ-5, 7, 8			AM20BK



# Dana 27 Rear Axle

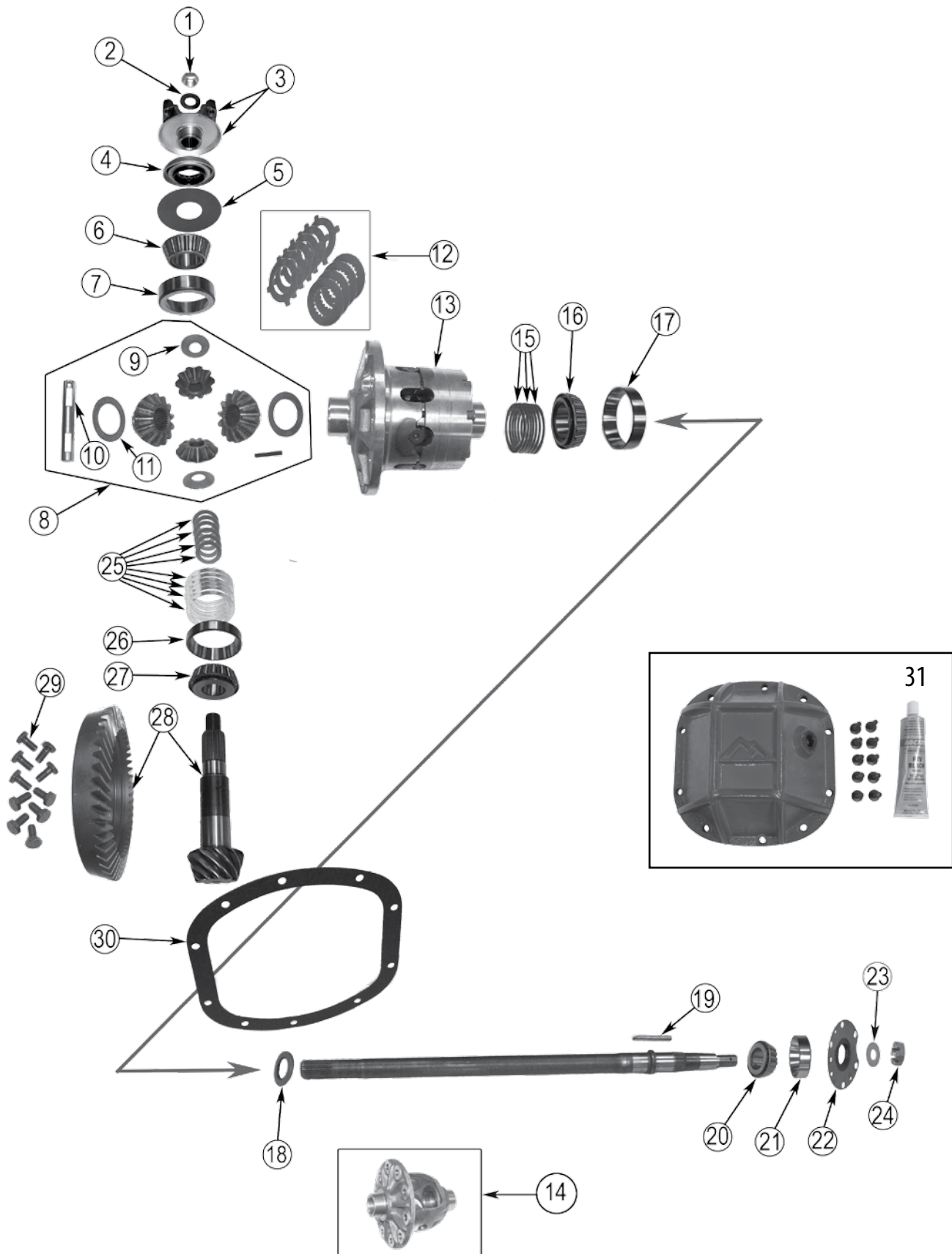
# Axle

Item #	Description	Comments	Replaces Part #
1	Nut, Pinion		636569*
2	Washer, Pinion		J4004913
3	Yoke, Pinion		A1445
4	Seal, Pinion		J0998092
5	Slinger, Pinion		J0636566
6	Bearing, Pinion	Outer	J0052878
7	Cup, Pinion Bearing	Outer	J0052879
6 & 7	Bearing Kit, Pinion	Outer	J8124052
8	Shim Set, Pinion		J0649228
9	Cup, Pinion Bearing	Inner	J0052877
10	Bearing, Pinion	Inner	J0807266
9 & 10	Bearing Kit, Pinion	Inner	J8124051
11	Seal, Axle Shaft	Inner	JA000779
12	Cup, Differential Bearing		52881
13	Bearing, Differential		J3105346
14	Shim Set, Differential		J0648061
15	Case Only, Differential		A-793*
16	Strap, Ring and Pinion	Locks Ring Gear Bolts (4 Per Differential)	A792
17	Shaft, Differential		JA000798
18	Washer, Differential Side Gear		JA000795
19	Washer, Differential Spider Gear		JA000797
20	Gear Set, Differential		J0926544
21	Gasket, Differential Cover		J8120360
22	Shaft, Axle	Right; 10 Splines; 22" Long Left; 10 Splines; 30-5/8" Long	A901 A902
23	Gasket, Axle		A904 *
24	Seal, Hub		J0805150
25	Bearing, Axle Shaft	Inner or Outer	J0052942
26	Cup, Axle Shaft Bearing	Inner or Outer	J0052943
27	Lock Washer, Wheel Bearing	Inner	JA000865
28	Nut, Wheel Bearing	2 Required Per Wheel	JA000866
29	Lock Washer, Wheel Bearing Nut	Outer	JA000867
30	Kit, Wheel Bearing Washer and Nut	Includes #s 27, 28, 29	A867K

\* Not Currently Available





1966-1971 C101 Commando



# Dana 30 Rear Axle

# Axle

Item #	Description	Comments	Replaces Part #
1	Nut, Pinion		J0801367
2	Washer, Pinion		J4004913
3	Yoke, Pinion	26 Splines w/ Slinger	J0935685
4	Seal, Pinion		J0998092
5	Slinger, Pinion		J0636566
6	Bearing, Pinion	Outer	926802
7	Cup, Pinion Bearing	Outer	J3156062
8	Gear Set, Differential	Standard; Also Includes #s 27, 29	J8126497
9	Washer, Differential Spider Gear	Standard	J3222999
10	Shaft, Differential	Standard	5003840AA
11	Washer, Differential Side Gear	Standard	J0645789
12	Clutch Disc Kit, Differential	Power-Lok	J8126153
13	Case Assembly, Differential	Power-Lok: 3.73 and Higher	945333*
14	Case, Differential	Standard (Bare): 3.54 and Lower Standard (Bare): 3.73 and Higher	J0947055 J8126496
15	Shim Set, Differential		J0648061
16	Bearing, Differential		J3156052
17	Cup, Differential Bearing		J3171166
18	Seal, Axle Shaft	Inner	J0640959
19	Key, Axle to Hub		J0644340
20	Bearing, Axle Shaft		J0052799
21	Cup, Axle Shaft Bearing		J0052800
22	Seal, Axle Shaft	Outer	J0942901
23	Washer, Axle Shaft Nut		J4004913
24	Nut, Axle to Hub		J0636344
25	Shim Set, Pinion		J0929409
26	Cup, Pinion Bearing	Inner	J3156065
27	Bearing, Pinion	Inner	J3156066
26 & 27	Kit, Pinion Bearing	Inner	J8126499
28	Ring and Pinion Set	3.73 Ratio: Includes item #s 1, 2, 4, 5, 6, 7, 15, 25, 26, 27, 29, 30 4.27 Ratio: Includes item #s 1, 2, 4, 5, 6, 7, 15, 25, 26, 27, 29, 30 4.88 Ratio: Includes item #s 1, 2, 4, 5, 6, 7, 15, 25, 26, 27, 29, 30	J0945345 J8126946 J0945347
29	Bolt, Ring Gear	10 Required	J0649454
30	Gasket, Differential Cover		J8120360
31	HD Differential Cover	Red; Includes RTV and 10 Ring Gear Bolts Black; Includes RTV and 10 Ring Gear Bolts	RT20024  RT20030 

\* Not Currently Available

# Axle

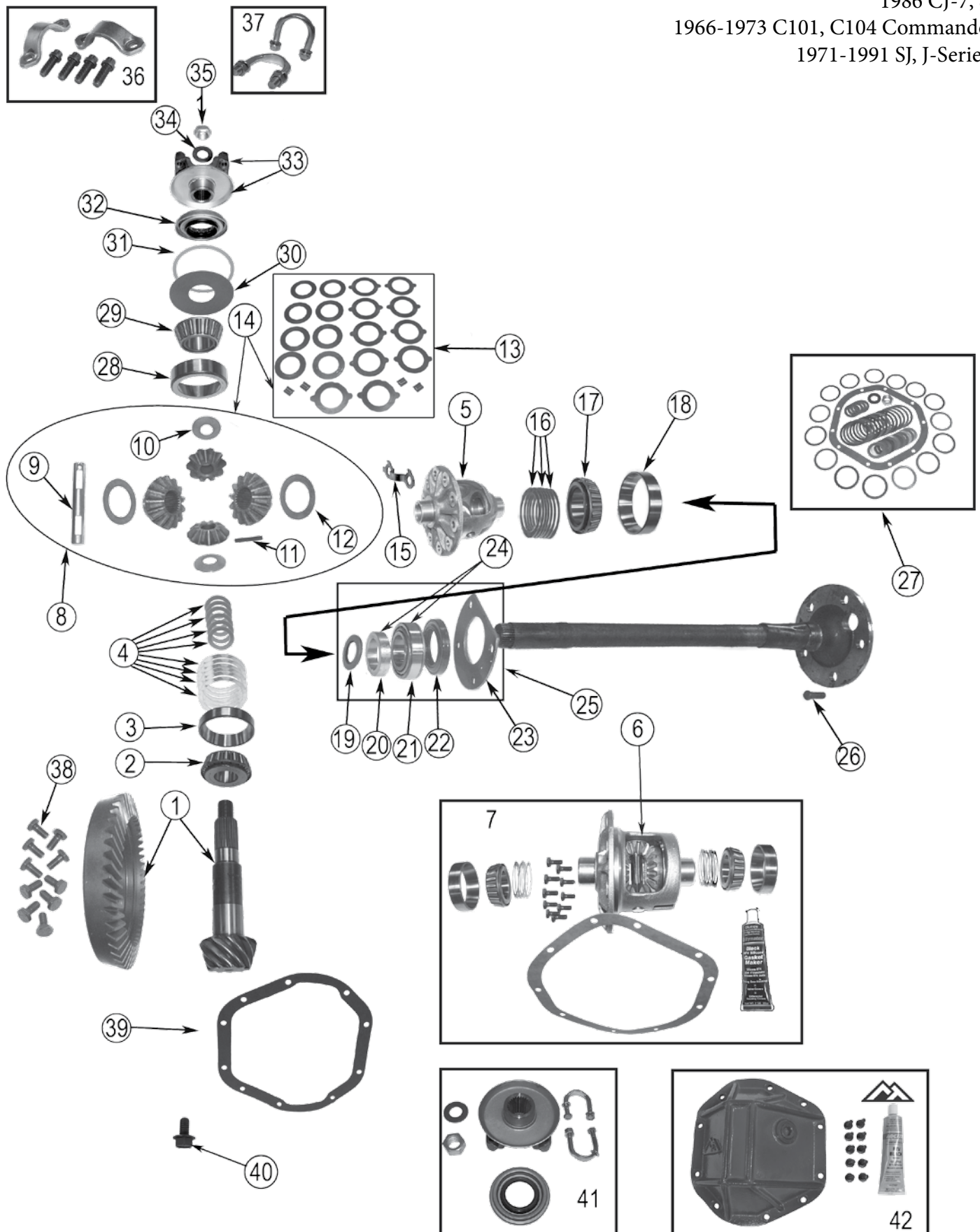
# Dana 44 Rear Axle w/ Flanged Axles

1969-1975 CJ-5, 6

1986 CJ-7, 8

1966-1973 C101, C104 Commando

1971-1991 SJ, J-Series



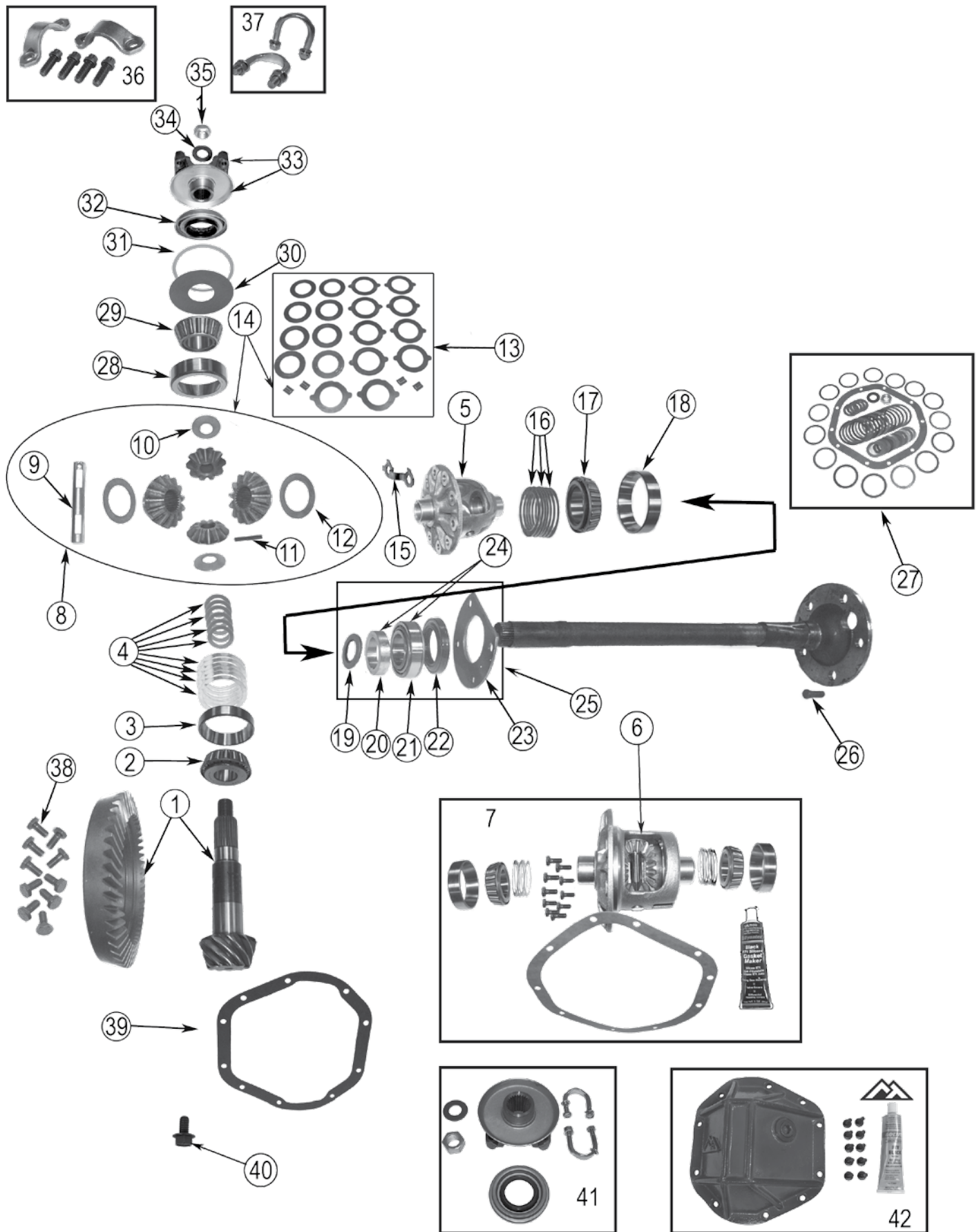
# Dana 44 Rear Axle w/ Flanged Axles

# Axle

Item #	Description	Application	Comments	Replaces Part #
1	Ring and Pinion Set	All	3.07 Ratio; Includes: #s 1, 2, 3, 4, 28, 29, 30, 32, 34, 35, 38, 39	J8129224
		All	3.54 Ratio; Includes: #s 1, 2, 3, 28, 29, 32	J8129217
		All	3.73 Ratio; Ring and Pinion Only	J0935650
		All	3.73 Ratio; Includes: #s 1, 2, 3, 4, 28, 29, 30, 32, 34, 35, 38, 39	J8124777
		All	3.92 Ratio; Includes: #s 1, 2, 3, 4, 28, 29, 30, 32, 34, 35, 38, 39	J0943188
		All	4.09 Ratio Includes: #s 1, 2, 3, 4, 28, 29, 30, 32, 34, 35, 38, 39	J8129225
		All	4.27 Ratio	J0910073*
		All	4.56 Ratio; Includes: #s 1, 2, 3, 4, 28, 29, 30, 32, 34, 35, 38, 39	83503087
2	Bearing, Pinion	All	Inner	J0807266
3	Cup, Pinion Bearing	All	Inner	J0052877
2 & 3	Kit, Pinion Bearing	All	Inner	J8124051
4	Shim Set, Pinion	All	Includes #s 35, 39	J8129221
5	Case Only, Differential	All	Standard; 3.73 and Down	J0991962
		All	Standard; 3.73 and Down; Includes #s 11, 16, 38, 39	J8130017
		All	Standard; 3.92 and Up	J0947057
		All	Standard; 3.92 and Up; Includes #s 11, 16, 38, 39	J8129245
6	Case Assembly, Differential		3.73 and Down, w/o Bearings or Hardware	J0994341
7	Case Assembly, Differential	All	Trac-Lok; 3.73 and Down	83505431
		All	Trac-Lok; 3.91 and Up	4741098
8	Gear Set, Differential	All	Standard	83503068
9	Shaft, Differential	All	Standard	636553
10	Washer, Differential Spider Gear	All	Standard	J3222999
11	Pin, Differential Shaft	All	Standard	J0636360
12	Washer, Differential Side Gear	All	Standard	J3220250
13	Disc Kit, Differential	All	Trac-Lok	J0994345
14	Differential Gear Set	All	Trac-Lok, Includes: #s 8 and 13	83505432
15	Strap, Ring and Pinion	CJ-5, 6, C101, C104	Locks Ring Gear Bolts; 5 Required	J0802561
16	Shim Set, Differential	All		J0806483
		All	Includes Differential Cover Gasket	J8124791
		All	Includes Sealant	J8129222
17	Bearing, Differential	All		J0805311
18	Cup, Differential Bearing	All		J0052980
17&18	Kit, Differential Bearing	All	Includes 2 Bearings and 2 Cups	J8124071
19	Seal, Axle Shaft	All	Inner	J3235929
20	Ring, Axle Bearing Retaining	All		83503077
21	Bearing, Axle Shaft	All		83503064
22	Seal, Axle Shaft	All	Outer	83503063

\* Not Currently Available

Continued on Next Page





# Dana 44 Rear Axle w/ Flanged Axles

# Axle

Item #	Description	Application	Comments	Replaces Part #
23	Retainer, Axle Bearing	CJ-5, 6, 7, 8, C101, C104 SJ, J-Series 1986 CJ-7, CJ-8		J0994260 J8133197 83504190
24	Bearing Kit, Axle Shaft		Includes #s 20 and 21	994262K
25	Bearing Kit, Axle Shaft	CJ-5, 6, 7, 8, C101, C104 SJ, J-Series	Includes #s 19, 20, 21, 22, 23 Includes #s 19, 20, 21, 22, 23	J8124779 J8130510
26	Stud, Rear Axle Shaft	CJ-5, 6, 7, 8, C101, C104 SJ, J-Series w/ 5 Studs SJ, J-Series w/ 6 Studs		J5355719 J5355719 J3230413
27	Shim Set, Pinion and Differential	All	Includes #s 4, 16, 34, 35, 39	J8129223
28	Cup, Pinion Bearing	All	Outer	J0052879
29	Bearing, Pinion	All	Outer	J0052878
28 & 29	Kit, Pinion Bearing	All	Outer	J8124052
30	Slinger, Pinion	All		J0636566
31	Gasket, Pinion			J0636565
32	Seal, Pinion	CJ-5, 6, C101, C104 CJ-7, 8 CJ-7, 8 71/86 SJ, J-Series 71/86 SJ, J-Series 87/91 SJ, J-Series	w/ Slinger on Yoke w/o Slinger on Yoke w/o Slinger on Yoke w/ Slinger on Yoke	J0998092 J0998092 83503390 83503390 J0998092 83503390
33	Yoke, Pinion	All All All	U-Bolt Style; Includes Slinger Strap and Bolt Style; Includes Slinger Strap and Bolt Style; No Slinger	J0935685 83503388 J8131656
34	Washer, Pinion	All		J4004913
35	Nut, Pinion	All		J0801367
36	Universal Joint Strap Kit		w/ Hex Head Bolts w/ 12 Point Bolts	4006698K 4006928K
37	U-Bolt Kit			A490K
38	Bolt, Ring Gear Ring Gear Bolt Kit	All All	10 Required Includes 10 Bolts	J0649454 4720891
39	Gasket, Differential Cover	All		J8122409
40	Bolt, Differential Cover		3/8"-18 x 5/8"	J0273573
41	U-Bolt Yoke Kit		Includes #s 32, 33, 34, 35, 37	D3044YOKEUBK
42	HD Differential Cover		Red; Includes RTV and 10 Ring Gear Bolts Black; Includes RTV and 10 Ring Gear Bolts	RT20026 RT20032

\* Not Currently Available

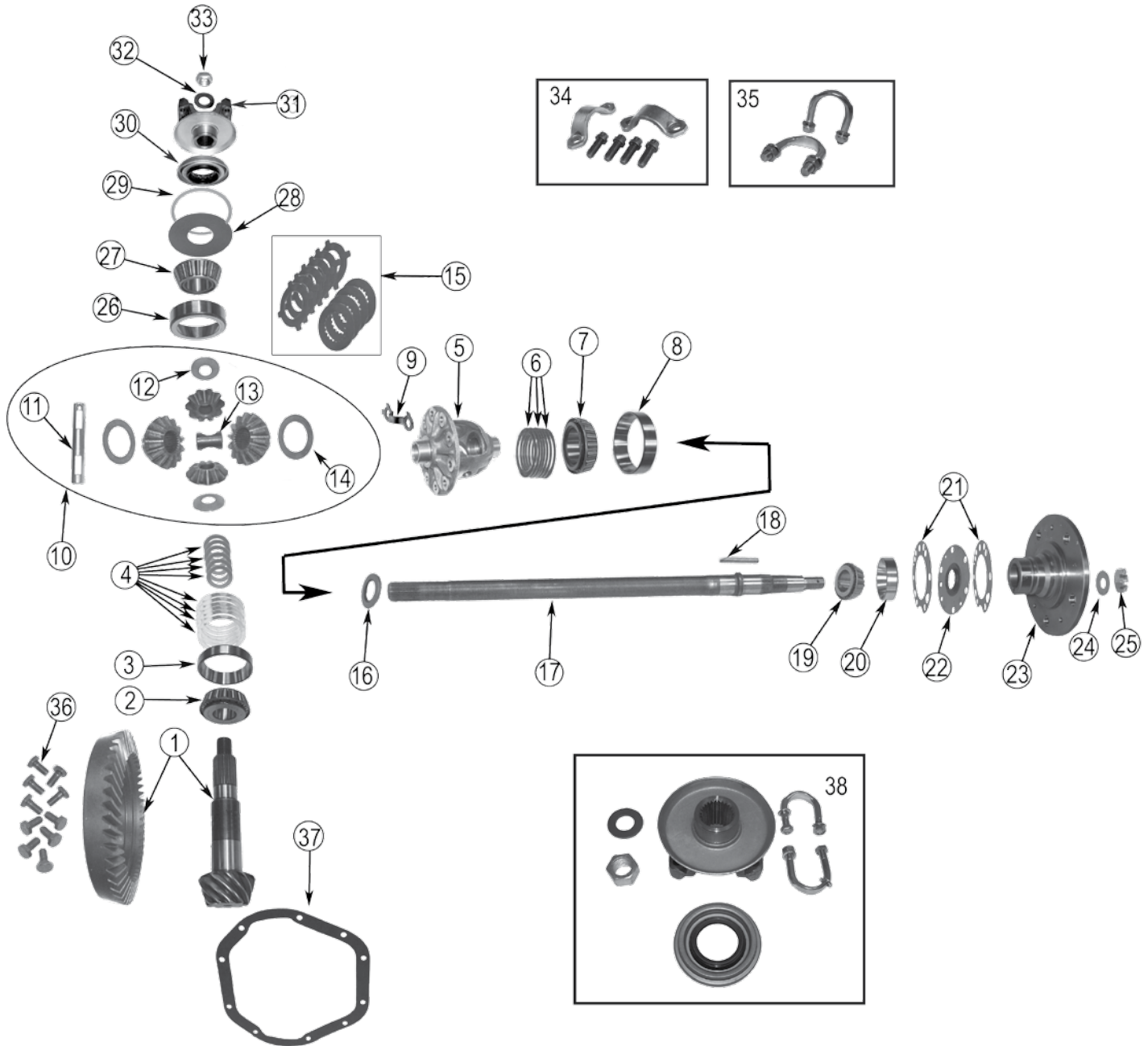
# Axle

# Dana 44 Rear Axle w/ Tapered Axles

1957-1964 FC-150, FC-170

1963-1971 J-Series

1950-1965 Willys Pickup



Item #	Description	Application	Comments	Replaces Part #
1	Ring and Pinion Set	All	3.31 Ratio w/ 26 Spline Pinion	J8134219
		All	3.54 Ratio w/ 26 Spline Pinion	J8129217
		All	3.73 Ratio w/ 26 Spline Pinion; Ring and Pinion Only	J0935650
		All	3.73 Ratio w/ 26 Spline Pinion	J8124777
		All	4.09 Ratio w/ 26 Spline Pinion	J8129225
		All	4.27 Ratio w/ 26 Spline Pinion	J0910073*
		All	4.88 Ratio w/ 26 Spline Pinion; Ring and Pinion Only	J8124386
		All	5.38 Ratio w/ 26 Spline Pinion	J0801368*

\* Not Currently Available

# Dana 44 Rear Axle w/ Tapered Axles

# Axle

Item #	Description	Application	Comments	Replaces Part #
2	Bearing, Pinion	All	Inner	J0807266
3	Cup, Pinion Bearing	All	Inner	J0052877
2 & 3	Bearing Kit, Pinion	All	Inner	J8124051
4	Shim Set, Pinion	All	Includes #4, 6	J8129221
5	Case Only, Differential	All	Standard; 3.73 and Down	932725*
		All	Standard; 3.91 and Up	802562*
6	Shim Set, Differential	All		919698*
7	Bearing, Differential	All		J0052979
8	Cup, Differential Bearing	All		J0052980
9	Strap, Ring and Pinion	All	Locks Ring Gear Bolts (5 Per Differential)	J0802561
10	Gear Set, Differential	All	Standard; 19 Splines	J0916361
11	Shaft, Differential	All	Standard	636553
12	Washer, Differential Spider Gear	All	Standard	J3222999
13	Block, Differential Spacer	All		J0640965
14	Washer, Differential Side Gear	All	Standard	J0645789
15	Disc Kit, Differential	All	Power Lok Differential	J0925339
16	Seal, Axle Shaft	All Except SJ, J-Series	Inner	J0640959
		SJ, J-Series	Inner	J0919317
17	Shaft, Axle	CJ-3A, 3B, 5, 6	Right; 10 Splines; 21-7/16" Long	J0640969
		CJ-3A, 3B, 5, 6	Left; 10 Splines; 29-11/16" Long	J0640968
		CJ-3A, 3B, 5, 6, FC-150, FC-170, Truck	Right; 19 Splines; 29-11/16" Long	J0912625
		CJ-3A, 3B, 5, 6, FC-150, FC-170, Truck	Left; 19 Splines; 21-7/16" Long	J0912626
		SW, SD	Right; 19 Splines; 28-7/8" Long	J0909405
18	Key, Axle Shaft to Hub	All		J0644340
19	Bearing, Axle Shaft	All		J0052799
20	Cup, Axle Shaft Bearing	All		J0052800
21	Gasket, Axle Shaft	CJ-3A, 3B, 5, 6	2 Required Per Side	J0942903
22	Seal, Axle	All Except 66-71 CJ w/ 10" Brakes	Outer (Includes 2 Gaskets)	J0914802
		1961-71 CJ w/ 10" Brakes	Outer, 2 Required	J0935612
23	Hub, Axle			J0811351
24	Washer, Axle Shaft to Hub	All		J4004913
25	Nut, Axle Shaft to Hub	All		J0636344
26	Cup, Pinion Bearing	All	Outer	J0052879
27	Bearing, Pinion	All	Outer	J0052878
26 & 27	Bearing Kit, Pinion	All	Outer	J8124052
28	Slinger, Pinion	All		J0636566
29	Gasket, Pinion	All		J0636565
30	Seal, Pinion	All		J0998092
31	Yoke, Pinion	All	10 Splines w/ Slinger; Bolt and Strap Type	J0807693
		All	10 Splines w/o Slinger; U-Bolt Type	A1445
32	Washer, Pinion	All		J4004913
33	Nut, Pinion	All		J0801367
34	Universal Joint Strap Kit		w/ Hex Head Bolts	4006698K
			w/ 12-Point Head Bolts	4006928K
35	U-Bolt Kit			A490K
36	Bolt, Ring Gear	All	10 Required	J0649454
37	Gasket, Differential Cover	All		J8122409
38	U-Bolt Yoke Kit		Includes #s 30, 31, 32, 33, 35	D3044YOKEUBK

\* Not Currently Available

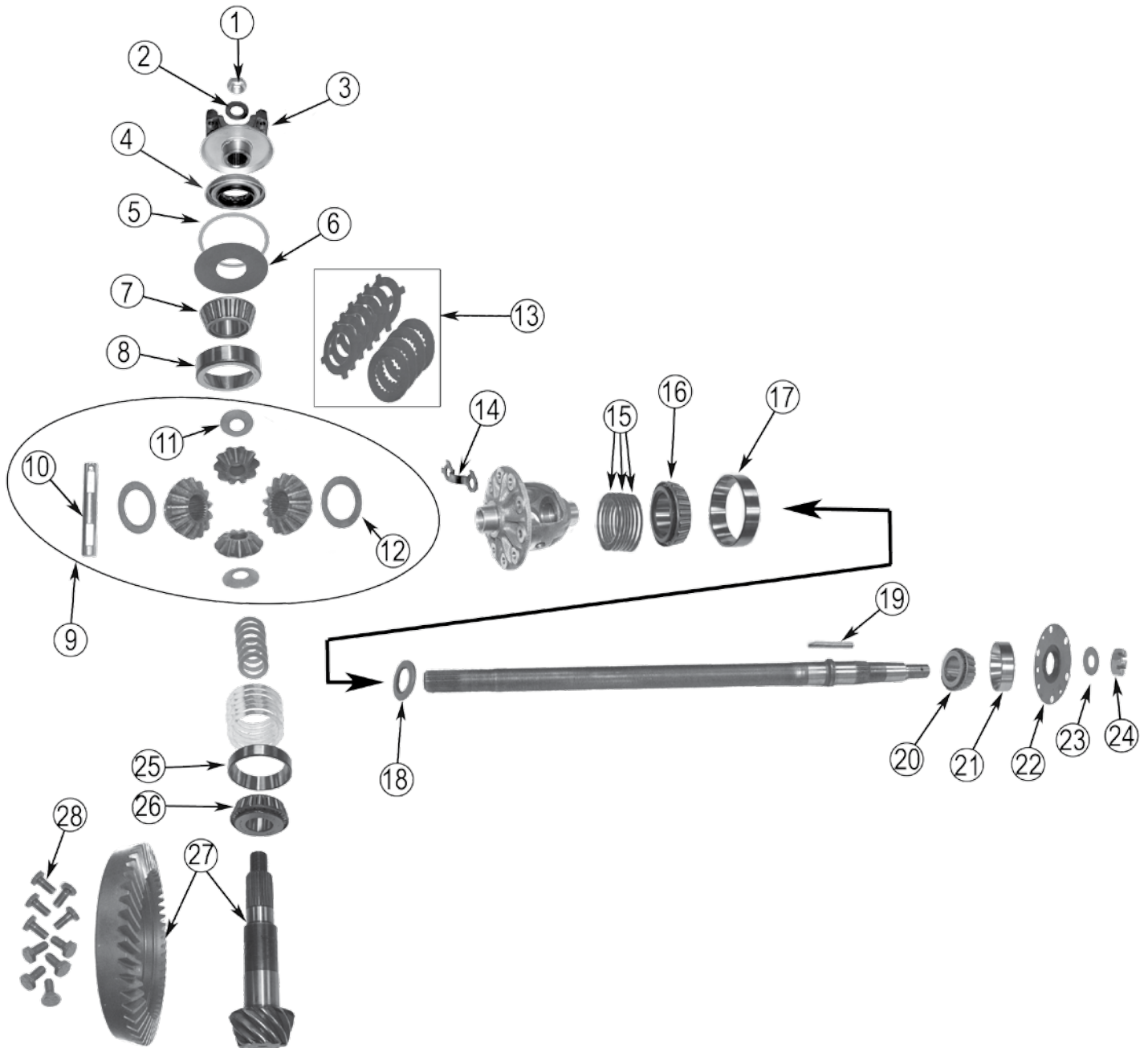
# Axle

# Dana 53 Rear Axle

1957-1964 FC-150, FC-170

1963-1971 J-Series

1950-1965 Willys Pickup



# Dana 53 Rear Axle

# Axle

Item #	Description	Comments	Replaces Part #
1	Nut, Pinion		J0801367
2	Washer, Pinion		J4004913
3	Yoke, Pinion	Strap and Bolt Type; 10 Splines w/ Slinger	J0807693
4	Seal, Pinion		J0998092
5	Gasket, Pinion		J0636565
6	Slinger, Pinion		J0636566
7	Bearing, Pinion	Outer	J0052878
8	Cup, Pinion Bearing	Outer	J0052879
7 & 8	Bearing Kit, Pinion	Outer	J8124052
9	Gear Set, Differential	Standard	J0908333
10	Shaft, Differential Pinion	Standard	636553
11	Washer, Differential Spider Gear	Standard	J3222999
12	Washer, Differential Side Gear	Standard	J3220250
13	Disc Kit, Differential	Power-Lok	J0925339
14	Strap, Ring and Pinion	Locks Ring Gear Bolts (5 Per Differential)	J0802561
15	Shim Set, Differential		J0806483
16	Bearing, Differential		J0805311
17	Cup, Differential Bearing		J0805312 *
18	Seal, Axle Shaft	Inner	J0644254
19	Key, Axle Shaft to Hub		J0644340
20	Bearing, Axle Shaft		J0054153
21	Cup, Axle Shaft Bearing		J0054154
22	Seal, Axle Shaft	Outer; Includes 2 Gaskets	J0914802
23	Washer, Axle Shaft to Hub		J4004913
24	Nut, Axle Shaft to Hub		J0636344
25	Cup, Pinion Bearing	Inner	J0805329
26	Bearing, Pinion	Inner	J0805328
27	Ring and Pinion Set	4.88 Ratio; Ring and Pinion Only	J0908331
28	Bolt, Ring Gear	10 Required	J0649454

\* Not Currently Available



# Axle

# Dana 41 and Dana 60 Rear Axles

## Dana 41 Rear Axle

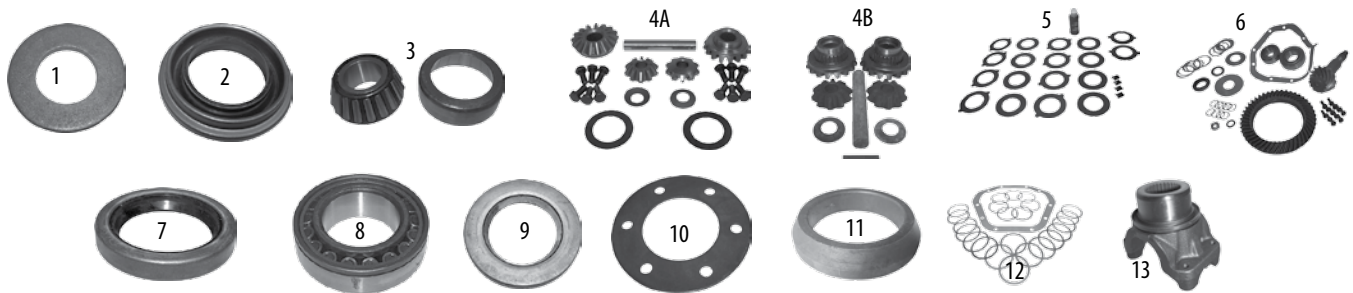
1969-1949 CJ-2A



Item #	Description	Position	Comments	Replaces Part #
1	Differential Cover Gasket			J0639957
2	Axle Shaft	Rear, Left	10 Splines; 29-11/16" Long	J0640968
3	Axle Shaft	Rear, Right	10 Splines; 21-7/16" Long	J0640969
4	Pinion Seal		Open Back	J0998092
5	Pinion Seal		Closed Back	639265
6	Pinion Gasket			J0636565
7	Ring Gear Bolt Lock Strap		Locks Ring Gear Bolts; 5 Required Per Differential	J0802561

## Dana 60 Rear Axle

1969-1983 J-Series



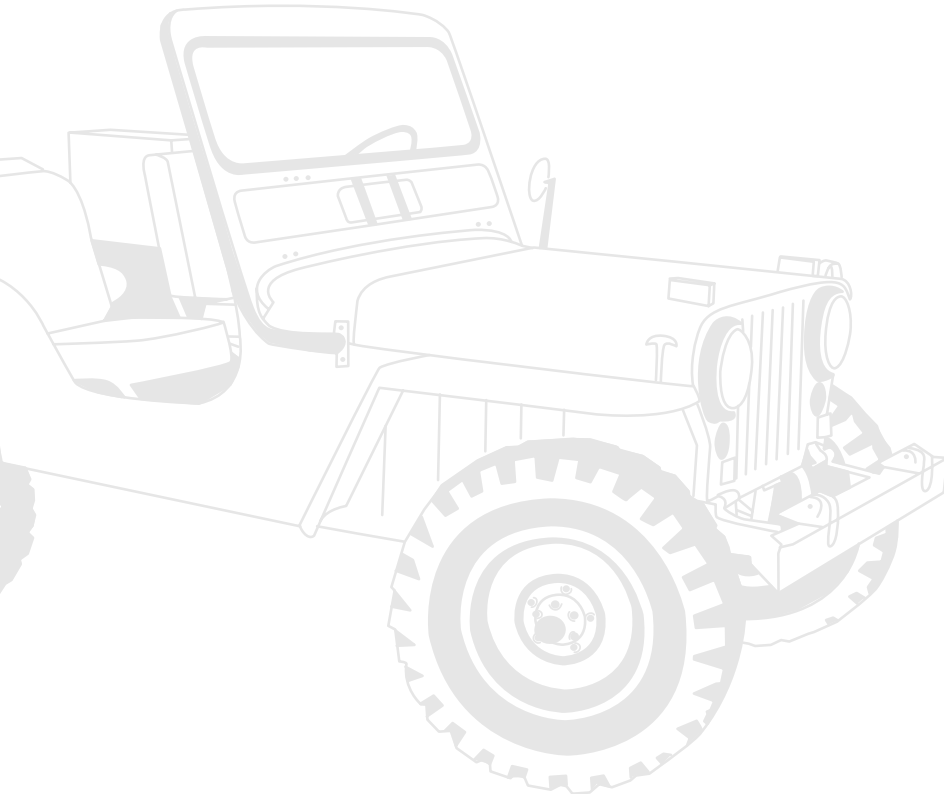
Item #	Description	Application	Comments	Replaces Part #
1	Washer, Pinion	All		J4004913
2	Seal, Pinion	All		J8134810
3	Pinion Bearing Kit	All	Inner	J8124026
		All	Outer	J8124027
4A	Gear Set, Differential	Dana 60-2	Standard	J8129241
4B		Dana 60-3	Trac-Lok	J8129240
5	Disc Kit, Differential	All	Trac-Lok	J8122379
6	Ring and Pinion Set	All	3.54 Ratio	8130014
		All	4.10 Ratio	J8129235
7	Seal, Axle	Dana 60-2	Inner	J0994904
8	Bearing, Axle Shaft	Dana 60-2		J0994913
9	Seal, Hub	Dana 60-3	Inner	J5352786
10	Axle Retainer	All	w/ Semi-Float Rear Axle ONLY	J0994911
11	Axle Shaft Retaining Ring	All		J0994914
12	Differential Shim Kit	All		J8129242
13	Yoke	All		J8134809

**MB, M38, M38-A1, All CJs . . . . . 10-2**

**SJ, J-Series . . . . . 10-4**

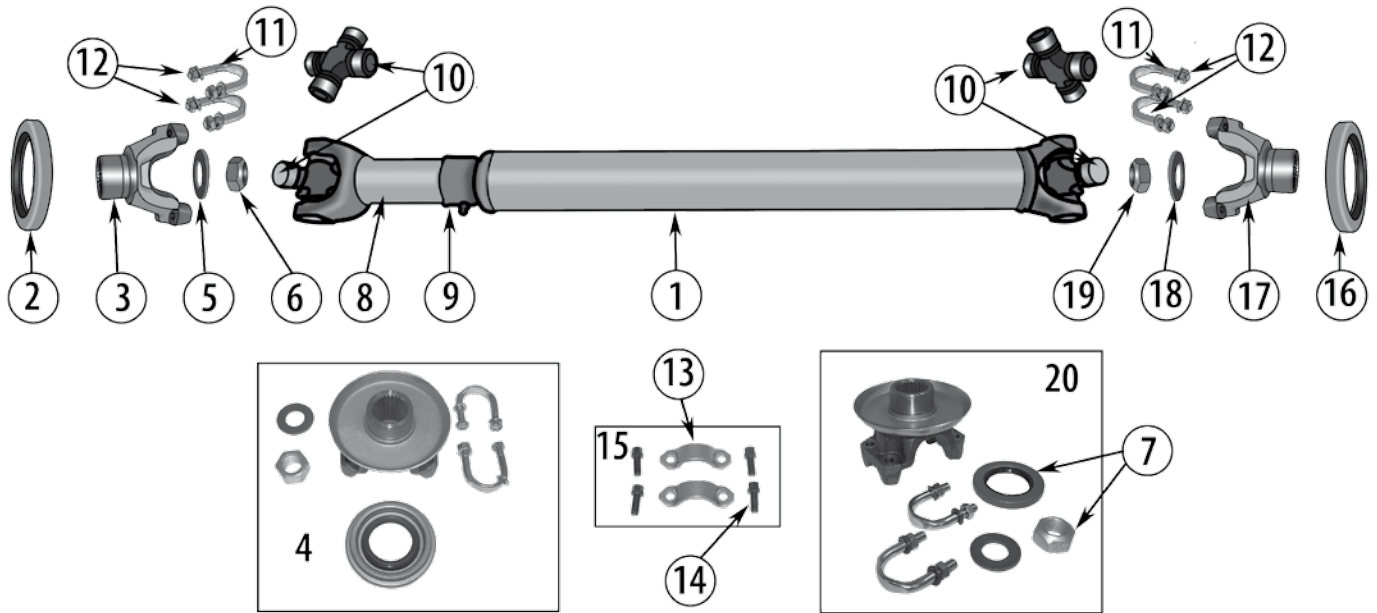
**Miscellaneous . . . . . 10-6**

C101 Commando, C104 Commando, FC-150, FC-170,  
Willys Pickup, Station Wagon, Sedan Delivery



# Drive Shafts

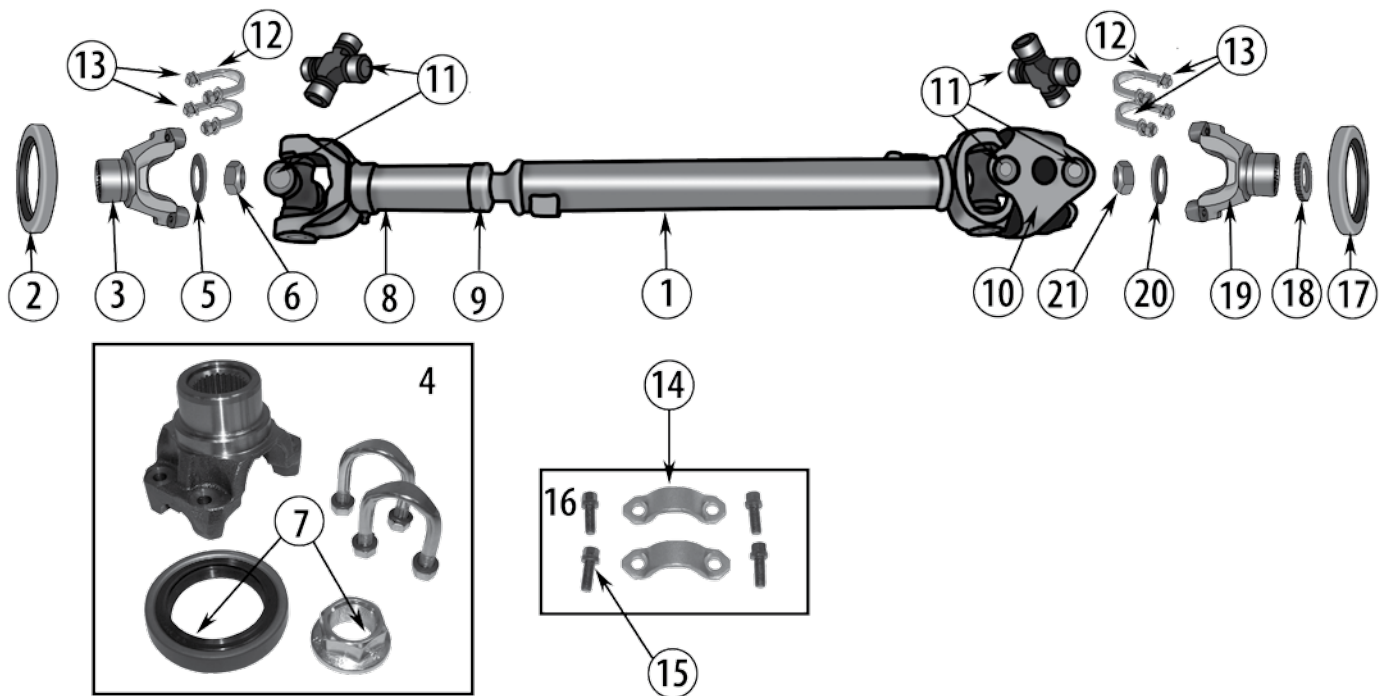
# MB, M38, M38-A1 and All CJs



Item #	Description	Years	Model	Axle	Location	Comments	Replaces Part #
1	Drive Shaft	1976-79	CJ-5, 7	All	Front	w/ 4.2L (6-258) Engine w/ T150 Transmission	J5356500
		1976-79	CJ-5, 7	All	Front	w/ 5.0L (V8-304) Engine w/ T150 Transmission	J5356500
		1976-79	CJ-5, 7	All	Front	w/ T18 Transmission	J5356501
		1981	CJ-5, 7, 8	All	Front	w/ GM 2.5L (4-151) Engine w/ Automatic Transmission	J5356501
		1981-83	CJ-5, 7, 8	All	Front	w/ GM 2.5L (4-151) Engine w/ T176 Transmission	J5360986
		1982-83	CJ-5, 7, 8	All	Front	w/ GM 2.5L (4-151) Engine w/ T4, T5 Transmission	J5360986
		1980-81	CJ-5, 7, 8	All	Front	w/ SR4 Transmission	J5360982
		1981-83	CJ-5, 7, 8	All	Front	w/ 4.2L (6-258) Engine w/ T176 Transmission	J5360986
		1982-83	CJ-5	All	Front	w/ 4.2L (6-258) Engine w/ T4, T5 Transmission	J5360986
		1982-86	CJ-7, 8	All	Front	w/ 4.2L (6-258) Engine w/ T4, T5 Transmission	J5360982
		1981	CJ-5, 7, 8	All	Front	w/ 5.0L (V8-304) Engine w/ T176 Transmission	J5360986
		1981	CJ-8	All	Rear	w/ GM 2.5L (4-151) Engine w/ T176 Transmission	J5362278
		1982-83	CJ-8	All	Rear	w/ GM 2.5L (4-151) Engine w/ T4, T5 Transmission	J5362278
		1981-86	CJ-8	All	Rear	w/ 4.2L (6-258) Engine w/ T176 Transmission	J5362278
2	Pinion Seal	1941-86	All	All	Front		J0998092
		1941-45	MB	Dana 27	Rear		J0998092
		1948-75	All	Dana 44	Rear		J0998092
		1986	CJ-7, 8	Dana 44	Rear	w/ Dust Slinger on Yoke	J0998092
		1986	CJ-7, 8	Dana 44	Rear	w/o Dust Slinger on Yoke	83503390
		1976-86	CJ-5, 7, 8	AMC 20	Rear		83504946
		3	Axle Yoke	1941-65	All	Dana 25	Front
1972-80	CJ-5, 6, 7			Dana 30	Front	U-Bolt Style	J0935685
1981-86	CJ-5, 7, 8			Dana 30	Front	Strap and Bolt Style	83503388
1941-45	MB			Dana 27	Rear	U-Bolt Style	A1445
1948-68	CJ-3A, 3B, 5, 6			Dana 44	Rear	Strap and Bolt Style	J0807693
1948-68	CJ-3A, 3B, 5, 6			Dana 44	Rear	U-Bolt Style	A1445
1969-86	CJ-5, 6, 7, 8			Dana 44	Rear	Strap and Bolt Style	83503388
1969-86	CJ-5, 6, 7, 8			Dana 44	Rear	U-Bolt Style	J0935685
1976-86	CJ-5, 7, 8			AMC 20	Rear	U-Bolt Style	J8129201
1976-86	CJ-5, 7, 8			AMC 20	Rear	Strap and Bolt Style	83502058

Item #	Description	Years	Model	Axle	Location	Comments	Replaces Part #
4	Axle U-Bolt Yoke Kit	1976-86	CJ-5, 7, 8	Dana 30	Front	Includes U-Bolt Yoke, U-Bolt Kit, Seal, and Nut	D3044YOKEUBK
		1986	CJ-7, 8	Dana 44	Rear	Includes U-Bolt Yoke, U-Bolt Kit, Seal, and Nut	D3044YOKEUBK
		1976-86	CJ-5, 7, 8	AMC 20	Rear	Includes U-Bolt Yoke, U-Bolt Kit, Seal, and Nut	AMC20YOKEUBK
5	Axle Yoke Washer	All	All	All	Front		J4004913
		1941-45	MB	Dana 27	Rear		J4004913
		All	All	Dana 44	Rear		J4004913
6	Pinion Nut	1941-86	All	All	Front		J0801367
		1948-86	All	Dana 44	Rear		J0801367
		1976-86	CJ-5, 7, 8	AMC 20	Rear		J3182601
7	Pinion Seal Kit	1976-86	CJ-5, 7, 8	AMC 20	Rear	Includes Seal and Nut	J3208474
8	Drive Shaft Slip Yoke	1941-45	MB	All	F or R		A935*
		1981-86	CJ-5, 7, 8	All	Rear	w/ 1.87" Yoke OD	J8134782
9	Drive Shaft Slip Yoke Seal	1981-86	CJ-5, 7, 8	All	Front		83501595
		1981-86	CJ-5, 7, 8	All	Rear	w/ 1.57" Diameter Slip Yoke	83501595
10	Universal Joint	1953-71	CJ-3B, 5, 6	All	F or R	w/ Spicer Drive Shafts w/ 2.438" Wide U-Joints	J8126610
		1981-86	CJ-5, 7, 8	All	F or R	Standard Duty; Grease Fitting in Body	J8126613
		1981-86	CJ-5, 7, 8	All	F or R	Heavy Duty; Grease Fitting in Body	J8126614
		1981-86	CJ-5, 7, 8	All	F or R	Spicer®; Heavy Duty; Grease Fitting in Body	8126614SP
		1981-86	CJ-5, 7, 8	All	F or R	Heavy Duty; Sealed	4882793
11	Drive Shaft U-Bolt	1973-86	CJ-5, 7, 8	All	F or R	w/ U-Bolt Yoke; Includes Hardware	JA000490
12	Drive Shaft U-Bolt Kit	1973-86	CJ-5, 7, 8	All	F or R	w/ U-Bolt Yoke; Includes 2 of Item # 11	A490K
13	Universal Joint Strap	1976-86	CJ-5, 7, 8	All	F or R		J3240553
14	Universal Joint Strap Bolt	1976-86	CJ-5, 7, 8	All	F or R	6-Point, Hex Head	J4006698
		1976-86	CJ-5, 7, 8	All	F or R	12-Point	J4006928
15	Universal Joint Strap Kit	1976-86	CJ-5, 7, 8	All	F or R	Features 6-Point Hex Head Bolts	4006698K
		1976-86	CJ-5, 7, 8	All	F or R	Features 12-Point Bolts	4006928K
16	Transfer Case Output Seal	1941-71	All	All	F or R	w/ Dana 18 Transfer Case; Felt	J0932295
		1945-79	CJ-2A, 3A, 3B, 5, 6, 7	All	F or R	w/ Dana 18, 20 Transfer Case	J0923896
		1980-86	CJ-5, 7, 8	All	F or R	w/ Dana 300 Transfer Case	J8131669
		1976-79	CJ-7	All	Rear	w/ Quadra-Trac Transfer Case	J0923896
17	Transfer Case Yoke	1945-71	CJ-2A, 3A, 3B, 5, 6	All	Front	w/ Dana 18 Transfer Case; U-Bolt Style	A1106
		1941-68	MB, CJ-2A, 3A, 3B, M38, M38-A1	All	Rear	w/ Dana 18 Transfer Case	116714
		1972-79	CJ-5, 6, 7	All	F or R	w/ Dana 20 Transfer Case; U-Bolt Style	J0935685
		1972-79	CJ-5, 6, 7	All	Front	w/ Dana 20 Transfer Case; Strap and Bolt Style	J5354060
		1980-86	CJ-5, 7, 8	All	F or R	w/ Dana 300 Transfer Case; Strap & Bolt Style w/o Slinger	J8131656
		1976-79	CJ-7	All	Front	w/ Quadra-Trac Transfer Case; U-Bolt Style w/o Slinger	J8129363
		1976-79	CJ-7	All	Rear	w/ Quadra-Trac Transfer Case; Strap and Bolt Style w/o Slinger	J5354060
		1976-79	CJ-7	All	Front	w/ Quadra-Trac Transfer Case; U-Bolt Style w/ Slinger	A1106
18	Transfer Case Yoke Washer	All	All	All	F or R		J4004913
19	Transfer Case Output Nut	1941-86	All	All	F or R	w/ Dana 18, 20, 300 Transfer Case	J0801367
20	Transfer Case U-Bolt Yoke Kit	1980-86	CJ-5, 7, 8	All	F or R	w/ Dana 300 Transfer Case; Includes Yoke, U-Bolt Kit, Seal, Washer, and Nut	D300YOKEUBK

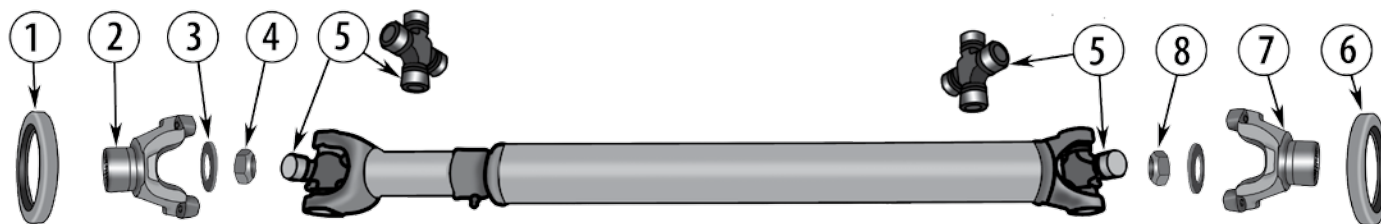
\* Not Currently Available



Item #	Description	Years	Model	Axle	Location	Comments	Replaces Part #
1	Drive Shaft	1974-79	SJ, J-Series	All	Front	w/ 4.2L (6-258) Engine w/ T15 Transmission	J5359384
		1980-86	SJ, J-10	All	Front	w/ T177 Transmission	J5360995
		1981-86	SJ	All	Rear	w/ 4.2L (6-258) Engine w/ A999 Transmission w/ NP219, NP228, NP229 Transfer Case	J5360999
		1981-86	SJ	All	Rear	w/ 4.2L (6-258) Engine w/ A999 Transmission w/ NP208 Transfer Case	J5361011
		1980-83	SJ	All	Rear	w/ 5.9L (V8-360) Engine w/ T177 Transmission w/ NP207 Transfer Case	J5361007
		1981-88	SJ	All	Rear	w/ 5.9L (V8-360) Engine w/ A999 Transmission w/ NP208 Transfer Case	J5361015
2	Pinion Seal	1971-73	SJ, J-Series	Dana 30	Front		J0998092
		1971-91	SJ, J-Series	Dana 44	Front	w/ Slinger on Yoke	J0998092
		1971-91	SJ, J-Series	Dana 44	Front	w/o Slinger on Yoke	83503390
		1963-70	SJ, J-Series	Dana 27	Front		J0998092
		1971-86	SJ, J-Series	Dana 44	Rear	w/ Slinger on Yoke	J0998092
		1971-86	SJ, J-Series	Dana 44	Rear	w/o Slinger on Yoke	83503390
		1987-91	SJ, J-Series	Dana 44	Rear		83503390
		1980-86	SJ, J-Series	AMC 20	Rear		83504946
		1963-71	SJ, J-Series	Dana 53	Rear		J0998092
3	Axle Yoke	1971-80	SJ, J-Series	Dana 44	Front	U-Bolt Style	J0935685
		1971-91	SJ, J-Series	Dana 44	Rear	U-Bolt Style	J0935685
		1971-91	SJ, J-Series	Dana 44	Rear	Bolt and Strap Style	83503388
		1980-86	SJ, J-Series	AMC 20	Rear	Bolt and Strap Style	83502058
		1980-86	SJ, J-Series	AMC 20	Rear	U-Bolt Style	J8129201
		1963-71	SJ, J-Series	Dana 53	Rear	Bolt and Strap Style	J0807693
		1981-83	J-20	Dana 60	Rear		J8134809



Item #	Description	Years	Model	Axle	Location	Comments	Replaces Part #
4	Axle U-Bolt Yoke Kit	1980-86	SJ, J-Series	AMC 20	Rear	Includes U-Bolt Yoke, U-Bolt Kit, Seal, and Nut	AMC20YOKEUBK
5	Axle Yoke Washer	1963-91	SJ, J-Series	All	F or R		J4004913
6	Pinion Nut	1971-91	SJ, J-Series	Dana 44	F or R		J0801367
		1963-70	SJ, J-Series	Dana 27	Front		J0801367
		1971-73	SJ, J-Series	Dana 30	Front		J0801367
		1980-86	SJ, J-Series	AMC 20	Rear		J3182601
		1963-71	SJ, J-Series	Dana 53	Rear		J0801367
7	Pinion Seal Kit	1980-86	SJ, J-Series	AMC 20	Rear	Includes Seal and Nut	J3208474
8	Drive Shaft Slip Yoke	1981-91	SJ, J-Series	All	Rear		J8134782
		1987-91	SJ	All	Front		J8126400
		1981-86	J-Series	All	Rear		J8126400
		1975-80	J-20	All	Rear	w/ Automatic Transmission	J8126400
9	Drive Shaft Slip Yoke Seal	1981-91	SJ, J-Series	All	Front		83501595
		1981-86	SJ, J-Series	All	Rear	w/ 1.57" Diameter Slip Yoke	83501595
10	Drive Shaft Yoke	1981-91	SJ	All	Front		J8130296
11	Universal Joint	1963-71	SJ, J-Series	All	F or R	w/ Spicer Drive Shafts w/ 2.438" Wide U-Joints	J8126610
		1979-91	SJ, J-Series	All	Front	Heavy Duty; Sealed	4882793
		1979-91	SJ, J-Series	All	Front	Standard Duty; Grease Fitting in Body	J8126613
		1979-86	SJ, J-Series	All	Front	Heavy Duty; Grease Fitting in Body	J8126614
		1979-86	SJ, J-Series	All	Front	Spicer®; Heavy Duty; Grease Fitting in Body	8126614SP
		1968-70	SJ	All	Front	w/ 5.7L (V8-350) Engine; Front Joint in Double Cardan Joint; Mechanics 2.5 Series	J8126612
		1968-70	J-Series	All	Front	w/ Internal Snap Rings; Front Joint in Double Cardan Joint; Mechanics 2.5 Series	J8126612
12	Drive Shaft U-Bolt	1973-79	SJ, J-Series	All	F or R	w/ U-Bolt Yoke; Includes Hardware	JA000490
13	Drive Shaft U-Bolt Kit	1973-79	SJ, J-Series	All	F or R	w/ U-Bolt Yoke; Includes 2 U-Bolts w/ Hardware	A490K
14	Universal Joint Strap	1974-91	SJ, J-Series	All	F or R		J3240553
15	Universal Joint Strap Bolt	1974-91	SJ, J-Series	All	F or R	6-Point, Hex Head	J4006698
		1974-91	SJ, J-Series	All	F or R	12-Point	J4006928
16	Universal Joint Strap Kit	1974-91	SJ, J-Series	All	F or R	Features 6-Point Bolts	4006698K
		1974-91	SJ, J-Series	All	F or R	Features 12-Point Bolts	4006928K
17	Transfer Case Output Seal	1976-79	SJ, J-Series	All	F or R	w/ Quadra-Trac Transfer Case	J0923896
		1962-79	SJ, J-Series	All	F or R	w/ Dana 20 Transfer Case	J0923896
		1982-91	SJ, J-Series	All	Front	w/ NP208, NP219, NP228, NP229 Transfer Case	4762899
18	Transfer Case Yoke Washer Seal	1982-91	SJ, J-Series	All	Front	w/ NP208, NP219, NP228, NP229 Transfer Case	J8130815
19	Transfer Case Yoke	1962-79	SJ, J-Series	All	F or R	w/ Dana 20 Transfer Case; U-Bolt Style	J0935685
		1962-79	SJ, J-Series	All	F or R	w/ Dana 20 Transfer Case; Bolt and Strap Style	J5354060
		1982-91	SJ, J-Series	All	Front	w/ NP208, NP219, NP228, NP229 Transfer Case	4856142
		1973-79	SJ, J-Series	All	Rear	w/ Quadra-Trac Transfer Case	J5354060
20	Transfer Case Yoke Washer	1962-79	SJ, J-Series	All	F or R	w/ Dana 20 Transfer Case	J4004913
		1973-79	SJ, J-Series	All	F or R	w/ Quadra-Trac Transfer Case	J4004913
21	Transfer Case Output Nut	1962-79	SJ, J-Series	All	F or R	w/ Dana 20 Transfer Case	J0801367
		1973-79	SJ, J-Series	All	F or R	w/ Quadra-Trac Transfer Case	J0801367



Item #	Description	Years	Model	Axle	Location	Comments	Replaces Part #
1	Pinion Seal	1956-64	FC-150	Dana 25	Front		J0998092
		1947-65	Pickup, Sedan Delivery, Sta. Wagon	Dana 25	Front		J0998092
		1966-71	C101 Commando	Dana 27	Front		J0998092
		1961-65	Pickup	Dana 27	Front		J0998092
		1972-73	C104 Commando	Dana 30	Front		J0998092
		1957-64	FC-170	Dana 44	Front		J0998092
		1966-71	C101 Commando	Dana 30	Rear		J0998092
		1956-64	FC-150, FC-170	Dana 44	Rear		J0998092
		1946-64	Pickup, Sedan Delivery, Sta. Wagon	Dana 44	Rear		J0998092
		1966-73	C101, C104 Commando	Dana 44	Rear		J0998092
		1957-64	FC-150, FC-170	Dana 53	Rear		J0998092
		1950-65	Pickup	Dana 53	Rear		J0998092
2	Axle Yoke	All	All	Dana 25	Front	U-Bolt Style; 10 Splines	A1445
		All	All	Dana 30	Front	U-Bolt Style; 26 Splines	J0935685
		1957-64	FC-170	Dana 44	Front	w/ Spicer Drive Shafts; U-Bolt Style; 10 Splines	A1445
		All	All	Dana 30	Rear	U-Bolt Style; 26 Splines	J0935685
		1966-73	C101, C104 Commando	Dana 44	Rear	Bolt and Strap Style; 26 Splines	83503388
		1966-73	C101, C104 Commando	Dana 44	Rear	U-Bolt Style; 10 Splines	J0935685
		1956-64	FC-150, FC-170	Dana 44	Rear	Bolt and Strap Style; 10 Splines	J0807693
		1946-54	Pickup, Sedan Delivery, Sta. Wagon	Dana 44	Rear	Bolt and Strap Style; 10 Splines	J0807693
		1956-64	FC-150, FC-170	Dana 44	Rear	U-Bolt Style; 10 Splines	A1445
		1946-64	Pickup, Sedan Delivery, Sta. Wagon	Dana 44	Rear	U-Bolt Style; 10 Splines	A1445
		All	All	Dana 53	Rear	Bolt and Strap Style; 10 Splines	J0807693
3	Axle Yoke Washer	All	All	Dana 25	Front		J4004913
		All	All	Dana 27	Front		J4004913
		All	All	Dana 30	F or R		J4004913
		All	All	Dana 44	F or R		J4004913
		All	All	Dana 53	Rear		J4004913
4	Pinion Nut	All	All	Dana 25	Front		J0801367
		All	All	Dana 27	Front		J0801367
		All	All	Dana 30	F or R		J0801367
		All	All	Dana 44	F or R		J0801367
		All	All	Dana 53	Rear		J0801367
5	Universal Joint	1966-71	C101 Commando	All	F or R	w/ Spicer Drive Shafts w/ 2.438" Wide U-Joints	J8126610
6	Transfer Case Output Seal	All	All	All	F or R	w/ Dana 18 Transfer Case; Felt	J0932295
		All	All	All	F or R	w/ Dana 18 Transfer Case	J0923896
7	Transfer Case Yoke	All	All	All	F or R	w/ Dana 18 Transfer Case; U-Bolt Style	A1106
		All	All	All	F or R	w/ Dana 20 Transfer Case; U-Bolt Style	J0935685
8	Transfer Case Output Nut	All	All	All	F or R	w/ Dana 18, Dana 20 Transfer Case	J0801367

## **Models w/ L and F-Head 2.2L (4-134) Engine . . . . . 3-2**

MB, M38, M38-A1, CJ-2A, 3A, 3B, 5, 6  
C101 Commando, Willys Station Wagon and Pickup, FC-150

## **Models w/ 2.5L (S4-151) GM Engine . . . . . 3-4**

1980-1983 CJ-5, 7, 8

## **Models w/ 3.7L (V6-225) Engine . . . . . 3-6**

1966-1971 CJ-5, 6  
1966-1971 C101 Commando

## **Models w/ 3.7L (S6-226) Engine . . . . . 3-8**

1954-1964 Willys Station Wagon  
1954-1962 Willys Pickup  
1957-1964 FC-170

## **Models w/ 3.8L (S6-230), 3.8L (S6-232), 4.2L (S6-258) Engines . . . . . 3-10**

3.8L (S6-232): 1966-1978 CJ-5, 6; 1965-1970 SJ, J-Series  
4.2L (S6-258): 1972-1983 CJ-5, 6, 7, 8, SJ, J-Series  
3.8L (S6-230): 1963-1965 SJ, J-Series

## **Models w/ 5.0L (V8-304), 5.9L (V8-360), 6.6L (V8-401) Engines . . . . . 3-14**

5.0L (V8-304): 1971-1981 CJ-5, 6, 7, 8  
5.9L (V8-360): 1970-1991 SJ, J-Series  
6.6L (V8-401): 1971-1979 SJ, J-Series

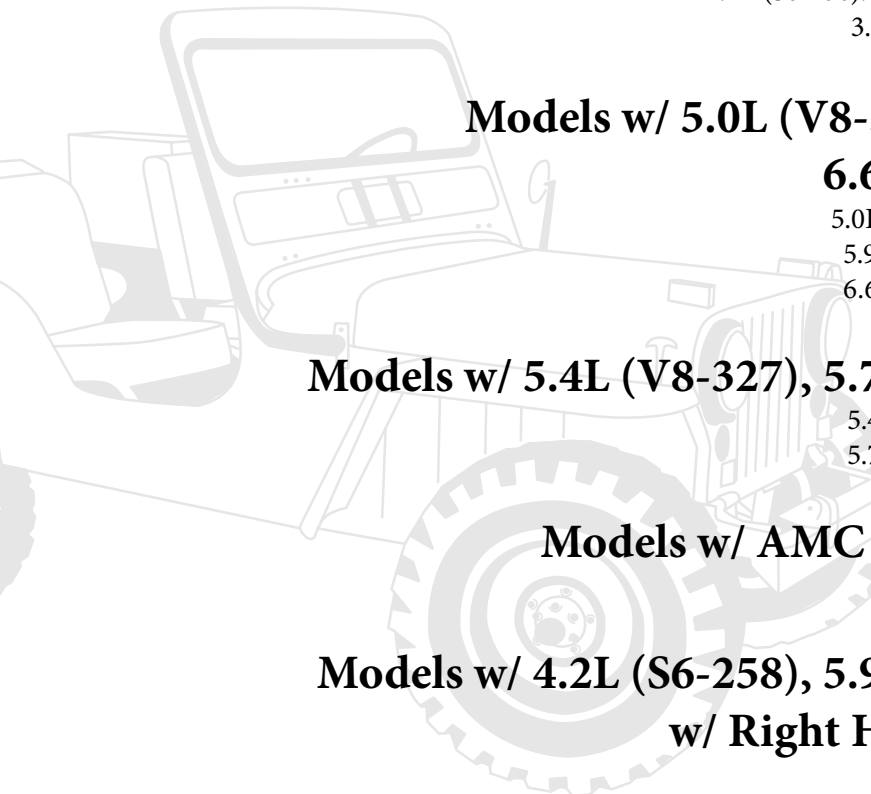
## **Models w/ 5.4L (V8-327), 5.7L (V8-350) Engines . . . . . 3-18**

5.4L (V8-327): 1965-1967 SJ, J-Series  
5.7L (V8-350): 1968-1971 SJ, J-Series

## **Models w/ AMC 2.5L (4-150) Engine . . . . . 3-19**

1983-1986 CJ-5, 7, 8

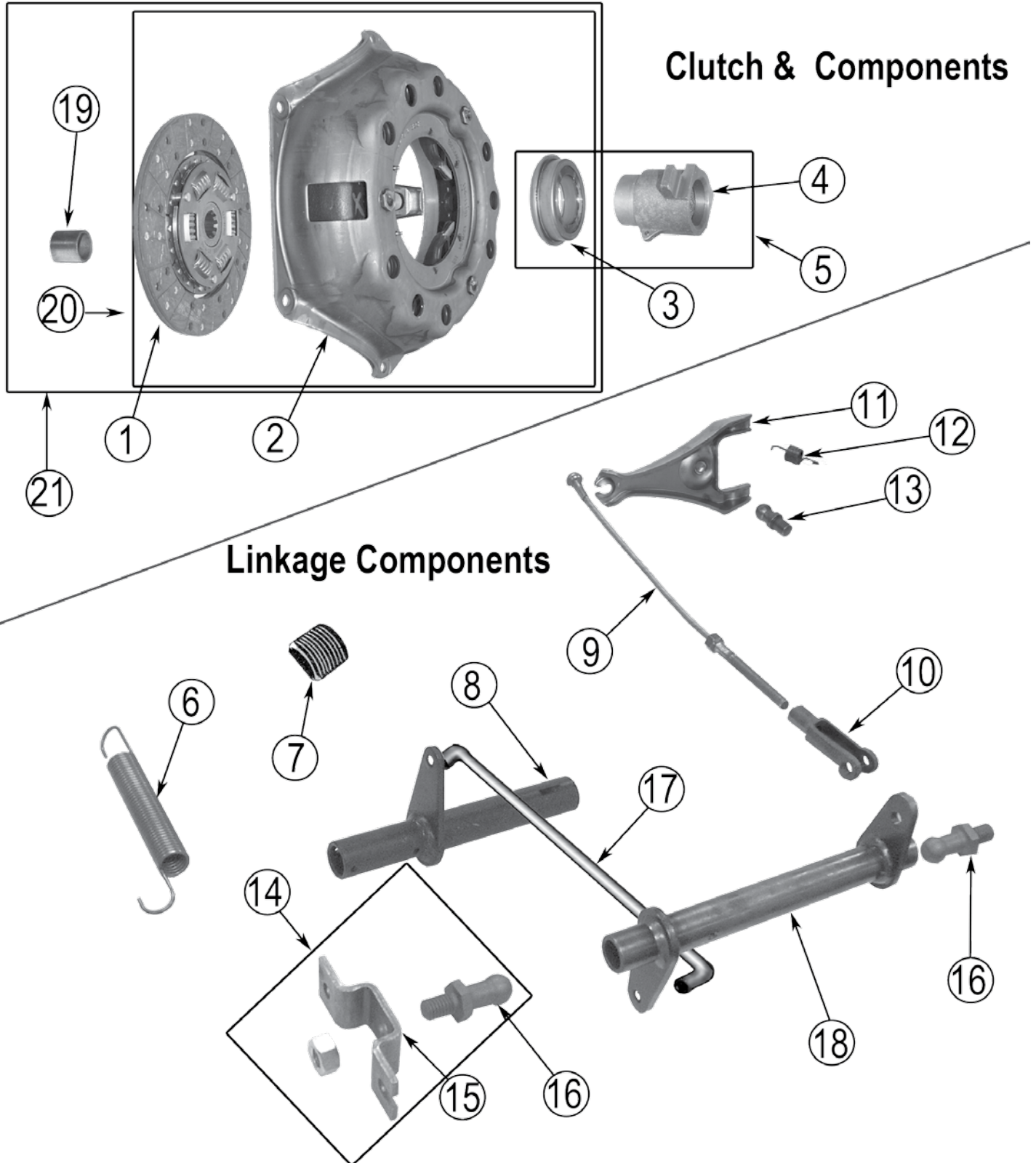
## **Models w/ 4.2L (S6-258), 5.9L (V8-360) Engines w/ Right Hand Drive (Export) . . . . . 3-20**



# Clutch

# Models w/ L and F-Head 2.2L (4-134) Engine

MB, M38, M38-A1, CJ-2A, 3A, 3B, 5, 6  
C101 Commando, Willys Station Wagon, Sedan Delivery and Pickup, FC-150



# Models w/ L and F-Head 2.2L (4-134) Engine

# Clutch

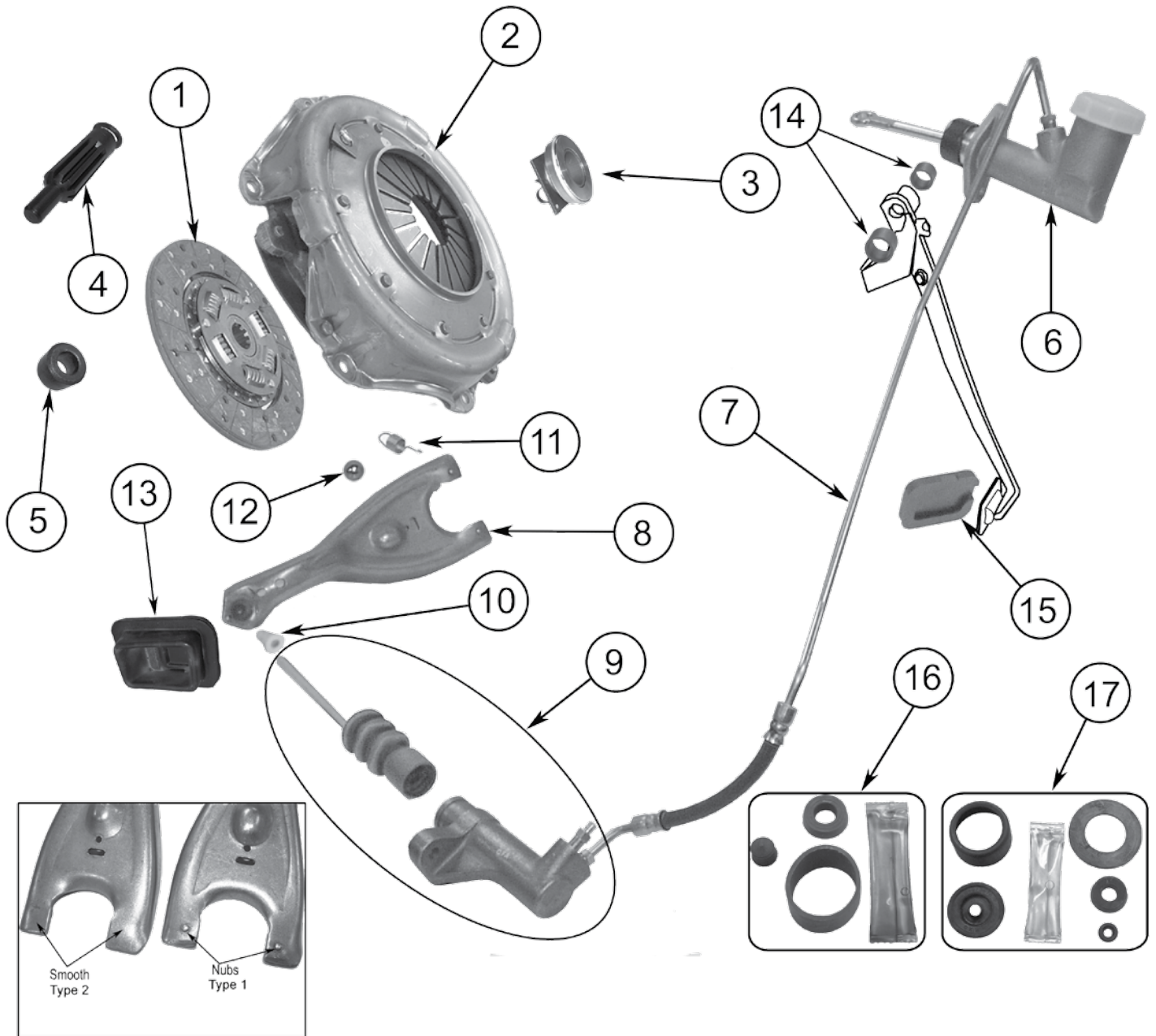
Item #	Description	Engine	Application / Comments	Replaces Part #
1	Disc, Clutch	Both 2.2L (F4-134)	All w/ 8.5" All w/ 9.25" (Originally B&B)	J0930731 921977
2	Plate, Pressure	Both 2.2L (F4-134)	All w/ 8.5" All w/ 9.25" (Originally Auburn or Dana)	J0804746 J3216159
3	Bearing, Clutch Release	Both	All	J0991720
4	Sleeve, Clutch Throwout Bearing	Both	All	J0644366
5	Sleeve and Bearing, Clutch Throwout Lever	Both	All	J0945255
6	Spring, Clutch Pedal Return	2.2L (L4-134) 2.2L (F4-134) 2.2L (F4-134) 2.2L (F4-134)	All CJ-3B, 5, 6, M38-A1 Pickup, Station Wagon FC-150	J0641723 J0641723 J0641723 J0641727
7	Pad, Clutch Pedal	2.2L (F4-134)	CJ-3B, 5, 6	J5363508
8	Shaft, Clutch Pedal	Both	MB, CJ-2A, 3A, 3B, 5,6, M38, M38-A1	A495
9	Cable, Clutch Release	2.2L (F4-134) 2.2L (F4-134) Both Both	C101 Commando w/ T86 Transmission (49-3/16" long) FC-150 w/ T90 Transmission (Cross Shaft to Throwout Lever) CJ-2A, 3A, 3B, 5, 6, (Bellcrank to Throwout Lever; 11" long) M38 to serial #74419 (Bellcrank Throwout Lever)	J0942612 J0948726 J0948726 J0948726
10	Yoke (Clevis)	Both	MB, CJ-2A, 3A, 3B, 5,6, M38, M38-A1	J0632177
11	Fork, Clutch Throwout	Both Both	All Except Station Wagon, Pickup, Sedan Delivery, VJ Jeepster Station Wagon, Pickup, Sedan Delivery, VJ Jeepster	J0630112 641275
12	Spring, Clutch Throwout Release Fork	Both		J0630117
13	Fulcrum, Clutch Throwout Fork	Both		J0630068
14	Stud and Bracket, Clutch Release, Frame End	Both	CJ-2A, 3A, 3B, 5, 6, FC-150, MB, M38, M38-A1 w/ T90 Transmission	JA000179
15	Bracket, Pivot	Both	CJ-2A, 3A, 3B, 5, 6, FC-150, MB, M38, M38-A1	A180
16	Pivot, Clutch Release	Both	CJ-2A, 3A, 3B, 5, 6, FC-150, MB, M38, M38-A1 w/ T90 Transmission	JA000181
17	Rod, Bellcrank to Clutch Pedal Shaft	Both	M38-A1, CJ-2A, 3A, 3B, 5, 6 (10.5" Long)	J0991143
18	Bellcrank, Clutch Release	Both 2.2 (L4-134)	CJ-2A, 3A, 3B, 5, 6, FC-150, MB, M38, M38-A1 w/ 8-1/2" Clutch CJ-3B, 5, 6, FC-150 w/ 9-1/4" Clutch	642624 922076
19	Bushing, Pilot	Both	All	J0639578
20	Clutch Kit (For 8.5" Clutches)	Both	Includes Pressure Plate, Disc, and Throwout Bearing	930731K
21	Clutch Kit (For 9.25" Clutches)	Both	Includes Pressure Plate, Disc, Throwout Bearing, and Pilot Bearing	921977K



# Clutch

## Models w/ 2.5L (S4-151) GM Engine

1980-1983 CJ-5, 7, 8



#8 Enlarged to show detail

# Models w/ 2.5L (S4-151) GM Engine

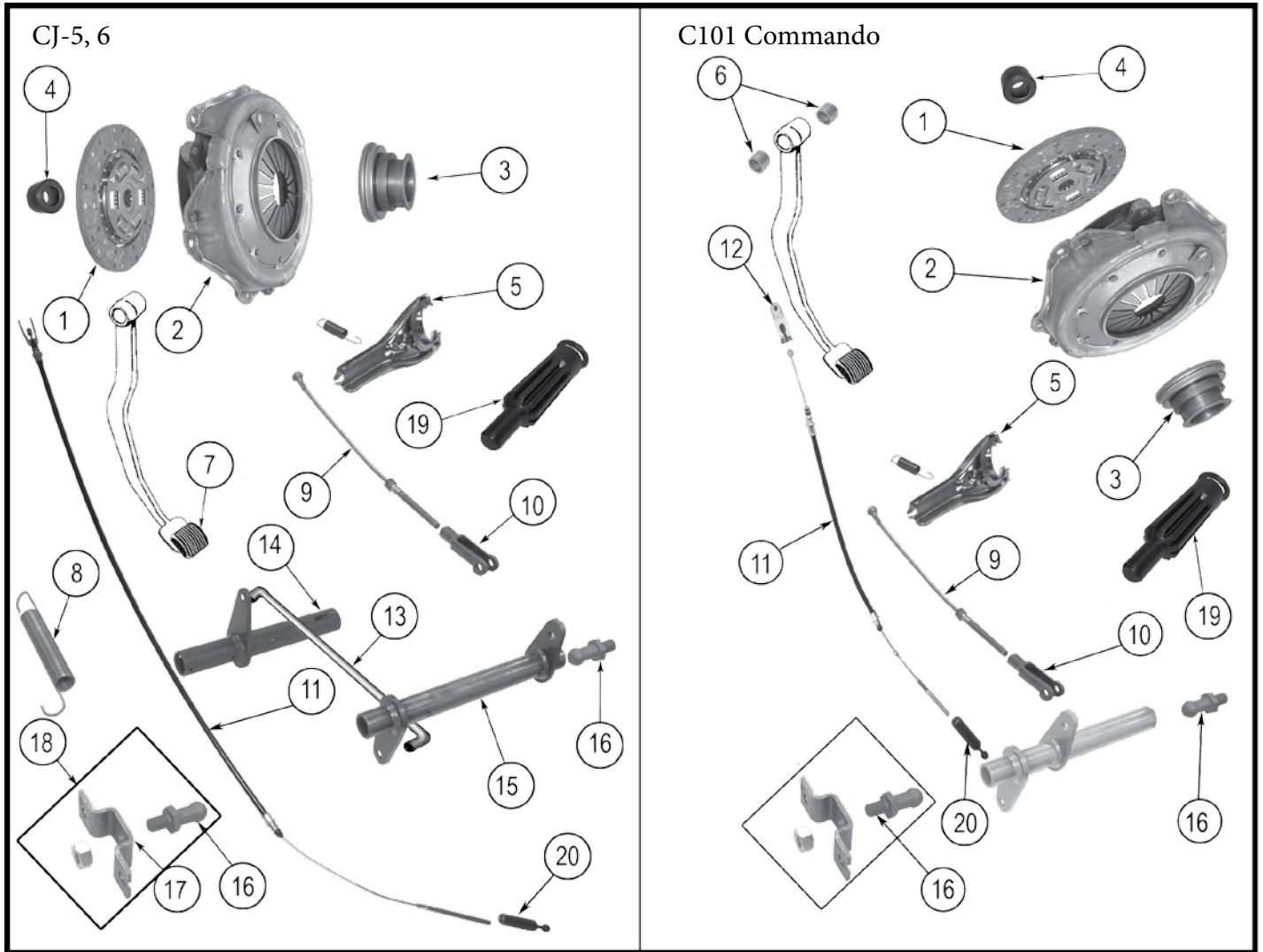
# Clutch

Item #	Description	Application / Comments	Replaces Part #
1	Disc, Clutch	All	J8132577
2	Plate, Pressure	All	J8132576
3	Bearing, Throwout	1980 Before VIN 40992, Use w/ Type 1 Fork 1980 After VIN 40992, Use w/ Type 2 Fork 1981-83	J3241263 J5361614 J5361614
4	Alignment Tool, Clutch	All; 1-1/8", 10 Spline	53010
5	Bushing, Pilot	1981-83	J3752487
6	Master Cylinder, Clutch	All	J5359822
7	Hose, Clutch	All	53004164
8	Fork, Throwout	1980 Before VIN 40992, w/ Nubs, Type 1 1980 After VIN 40992 w/out Nubs, Type 2 1981-83	J3224192 J5361620 J5361620
9	Slave Cylinder, Clutch	All	J3241867
10	Pivot, Throwout Fork	All	J3217479
11	Spring, Clutch Throwout Lever	All	J3222799
12	Ball, Throwout Lever	All	J0169162
13	Boot, Throwout Fork	1981-83	J3180370
14	Bushing, Clutch Pedal	All	J0946177
15	Pad, Clutch Pedal	All	J5363508
16	Repair Kit, Clutch Slave Cylinder	All	J8132782
17	Repair Kit, Clutch Master Cylinder	All	J8132781

# Clutch

# Models w/ 3.7L (V6-225) Engine

1966-1971 CJ-5, 6  
1966-1971 C101 Commando



# Models w/ 3.7L (V6-225) Engine

# Clutch

Item #	Description	Application / Comments	Replaces Part #
1	Disc, Clutch	All	53008259
2	Plate, Pressure	All (Dana 10-1/2"); Finger Type All (B&B 10-1/2"); Diaphragm Type	J4485780 J0948692
3	Bearing and Carrier, Clutch Throwout	All	J0991186
4	Bushing, Pilot	All	J3752487
5	Fork, Clutch Throwout	All	J1378486
6	Bushing, Clutch Pedal	C101 (2 Required)	J0946177
7	Pad, Clutch Pedal	CJ-5, 6	J5363508
8	Spring, Clutch Pedal Return	CJ-5, 6	J0641723
9	Cable, Bellcrank to Throwout Lever	All (13-5/8" Long) All (14-1/4" Long)	J0942622 J0947224
10	Yoke (Clevis)	All	J0632177
11	Cable, Clutch Release	CJ-5, 6 w/ T86, T14 Transmission w/ Diaphragm Style Pressure Plate; (58-1/4" Long) C101 w/ T86 Transmission w/ Diaphragm Style Pressure Plate (49-3/16" long); Cable Adjustment at Pedal end C101 w/ T86 Transmission (84-1/4" long); Cable adjustment at Throwout Lever	J0992533 J0942612 J0994759
12	Clevis	C101	J0948416
13	Rod, Clutch Pedal Shaft to Bellcrank	CJ-5, 6 (8-7/8" Long) CJ-5, 6 (9-3/4" Long) CJ-5, 6 (10.5" Long)	J0911814 J0947223 J0991143
14	Shaft, Clutch Pedal	CJ-5, 6	A495
15	Bellcrank	CJ-5, 6	J0941232
16	Stud, Clutch Release	All	JA000181
17	Bracket, Pivot	CJ-5, 6 w/ T86, T14 Transmission	A180
18	Stud and Bracket, Clutch Release, Frame End	CJ-5, 6 w/ T86, T14 Transmission	JA000179
19	Alignment Tool, Clutch	All; 1-1/8", 10 Spline	53010
20	Adjuster, Clutch Wear	All; w/ 58-1/4" Long Cable	J0998666

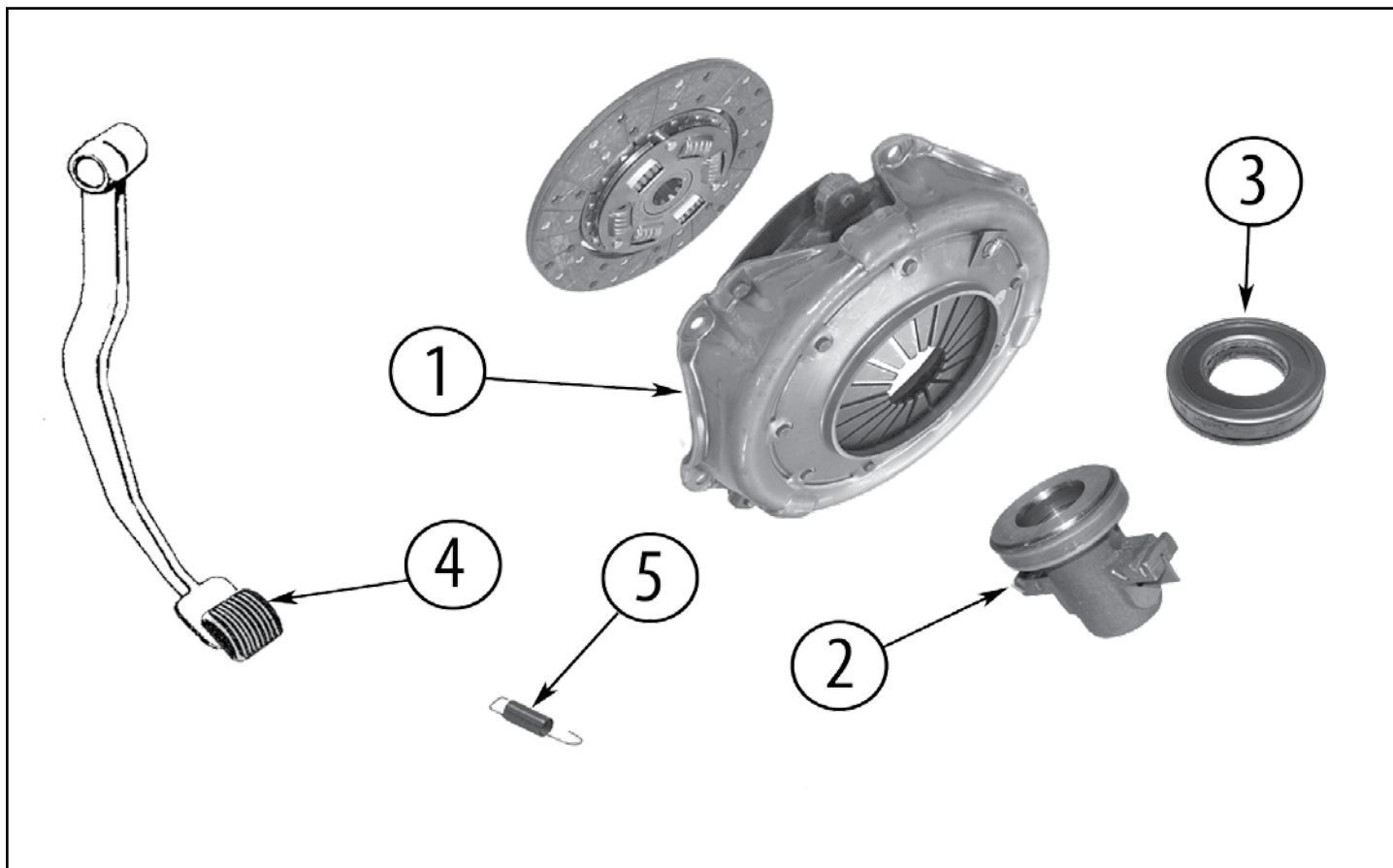
# Clutch

## Models w/ 3.7L (S6-226) Engine

1954-1964 Willys Station Wagon, Sedan Delivery

1954-1962 Willys Pickup

1957-1964 FC-170





Item #	Description	Application / Comments	Replaces Part #
1	Plate, Pressure	All	J3184908
2	Sleeve w/ Bearing, Clutch Release	All	J0732698
3	Bearing, Clutch Release	All	J0700003
4	Pad, Clutch Pedal	FC-170	J5363508
5	Spring, Clutch Pedal Return	Station Wagon, Pickup FC-170	J0641723 J0641727

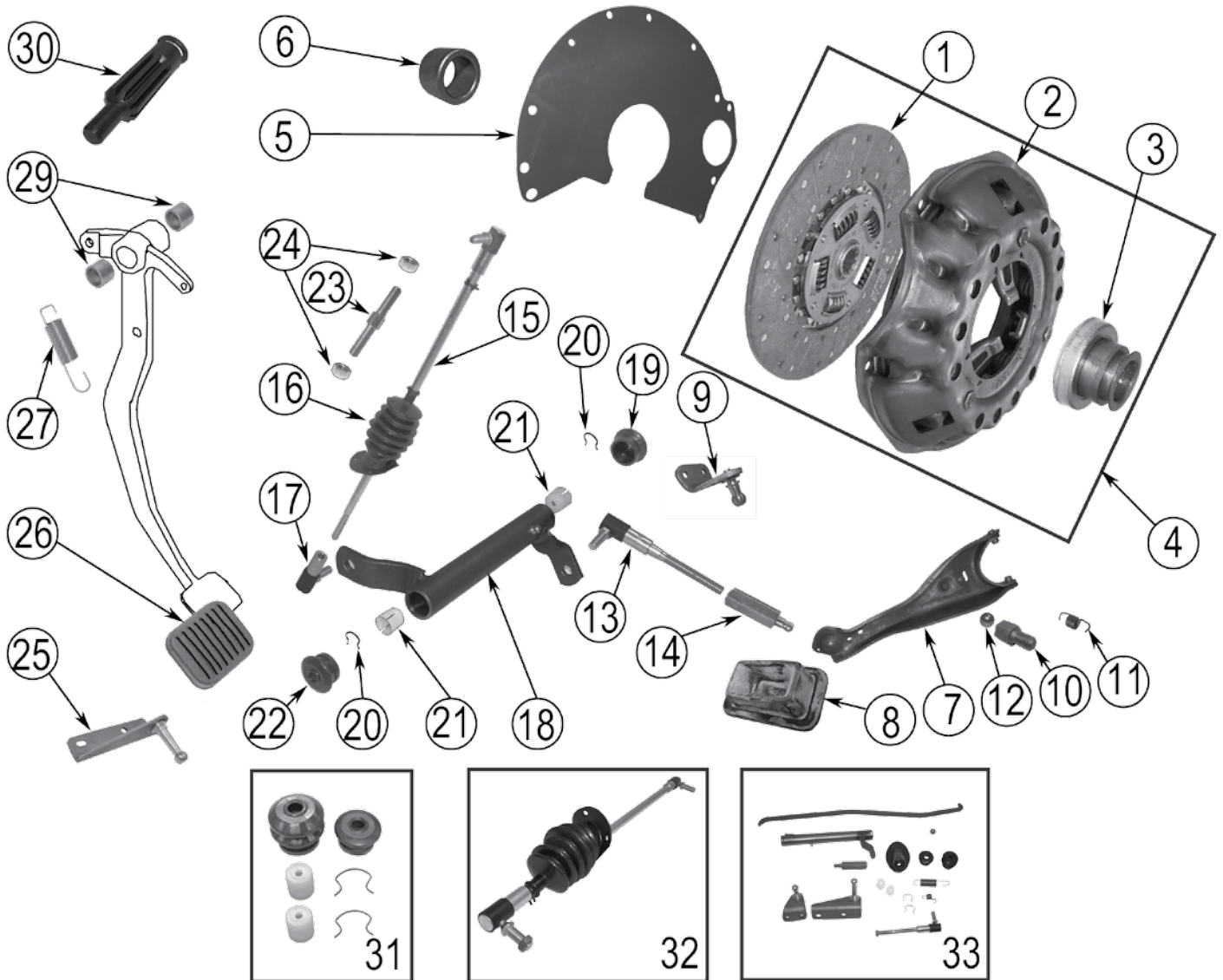
# Clutch

Models w/ 3.8L (S6-230), 3.8L (S6-232), 4.2L (S6-258) Engines

3.8L (S6-232): 1966-1978 CJ-5, 6; 1965-1970 SJ, J-Series

4.2L (S6-258): 1972-1983 CJ-5, 6, 7, 8, SJ, J-Series

3.8L (S6-230): 1963-1965 SJ, J-Series



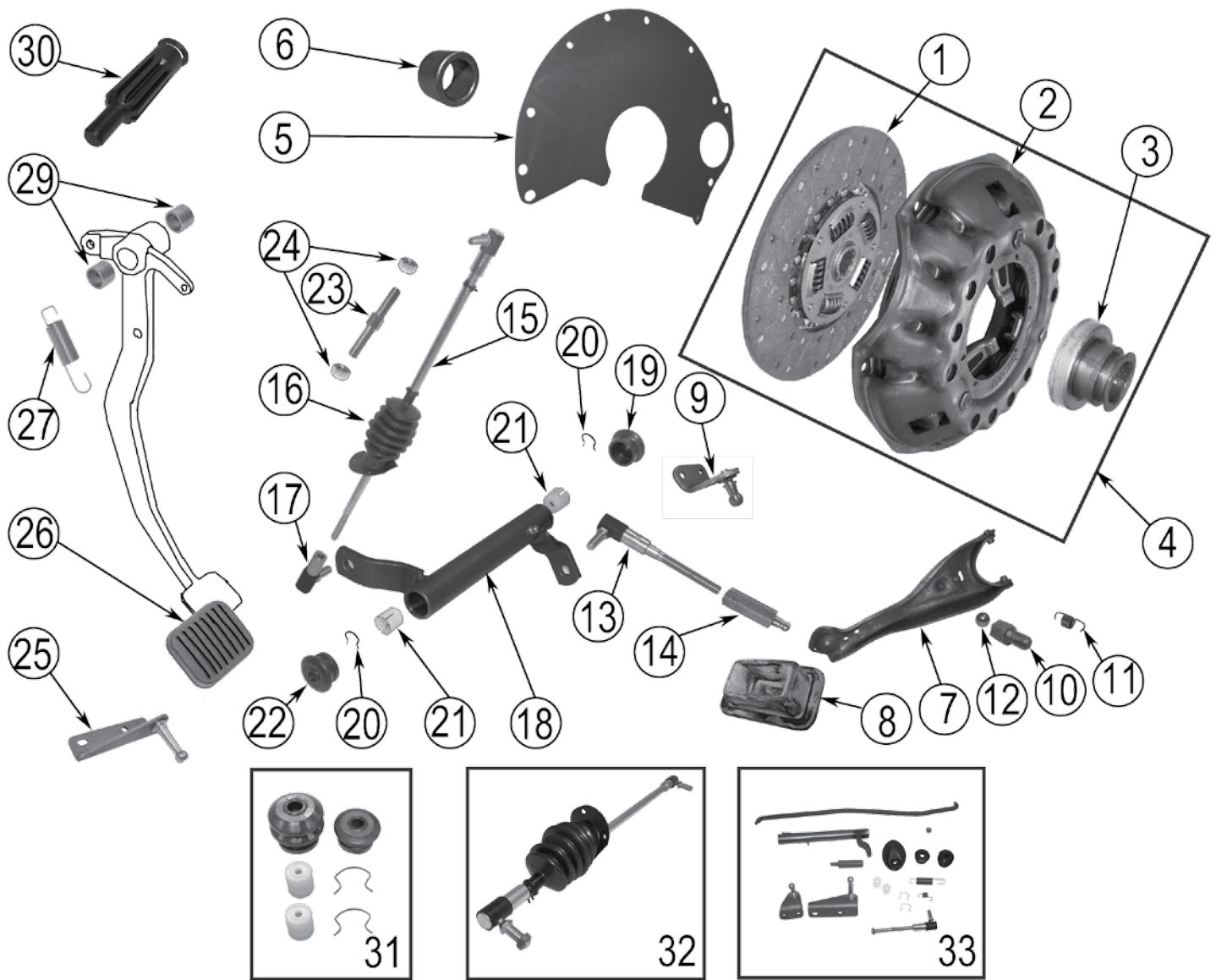
Item #	Description	Engine	Year	Application / Comments	Replaces Part #
1	Disc, Clutch	3.8L (S6-232), 4.2L (S6-258)	1965-75	CJ-5, 6	53008259
		3.8L (S6-232), 4.2L (S6-258)	1976-79	CJ-5, 7	J5354689
		4.2L (S6-258)	1980-86	CJ-5, 7	53008259
		3.8L (S6-232), 4.2L (S6-258)	1965-86	SJ, J-Series	53008259
		3.8L (S6-232), 4.2L (S6-258)	1978-81	w/ 11" Clutch	J3184867

Item #	Description	Engine	Year	Application / Comments	Replaces Part #
2	Plate, Pressure	3.8L (S6-230)	All	w/ 9.25" Clutch	J3216159
		3.8L (S6-230)	All	w/ 10" or 10.5" Clutch	J3184908
		3.8L (S6-232), 4.2L (S6-258)	1965-81	w/ 10" or 10.5" Clutch	J3184908
		3.8L (S6-232), 4.2L (S6-258)	1978-81	w/ 11" Clutch	J5357436
		4.2L (S6-258)	1982-86	w/ 10.5" Clutch	53004678
3	Bearing, Clutch Throwout	3.8L (S6-230)	1963-65	SJ, J-Series, w/o Sleeve	J0700003
		3.8L (S6-230)	1963-65	SJ, J-Series, w/ Sleeve	J0732698
		3.8L (S6-232), 4.2L (S6-258)	1972-75	CJ-5, 6	J5356918
		3.8L (S6-232), 4.2L (S6-258)	1976-80	CJ-5, 7	J3241263
		4.2L (S6-258)	1981-86	CJ-5, 7, 8	J5361614
		3.8L (S6-232), 4.2L (S6-258)	1965-77	SJ, J-Series	J5356918
		4.2L (S6-258)	1978-79	SJ, J-Series	J3190517
		4.2L (S6-258)	1980-86	SJ, J-Series	J5361614
4	Clutch Kit	3.8L (S6-232), 4.2L (S6-258)	1972-75	CJ-5, 6; 11" Disc, 10 Spline	3184867K
		4.2L (S6-258)	1975-75	CJ-5, 6; 10.5" Disc, 10 Spline	3184909K
		4.2L (S6-258)	1976-80	CJ-5, 7; 10.5" Disc, 10 Spline	3184908E
		4.2L (S6-258)	1981-81	CJ-5, 7, 8; 10.5" Disc, 10 Spline	5360174K
		4.2L (S6-258)	1982-86	CJ-5, 7, 8; 10.5" Disc, 10 Spline	3240278K
		3.8L (S6-232), 4.2L (S6-258)	1965-77	SJ, J-Series; 10.5" Disc, 10 Spline	3184909K
	Clutch Master Kit	4.2L (S6-258)	1976-80	SJ, J-Series; 10.5" Disc, 10 Spline	3184908E
		4.2L (S6-258)	1981-86	SJ, J-Series; 10.5" Disc, 10 Spline	5360174K
		4.2L (S6-258)	1982-86	CJ-5, 7, 8; 10.5" Disc, 10 Spline, Diaphragm Style	3240278MK
		4.2L (S6-258)	1982-86	CJ-5, 6, 8; 10.5" Disc, 10 Spline, Finger Style	5360174MK
5	Spacer, Bellhousing to Engine	3.8L (S6-232), 4.2L (S6-258)	1972-86		J3213743
6	Bushing, Pilot	3.8L (S6-232), 4.2L (S6-258)	1965-71	CJ-5, 6	J3174730
		3.8L (S6-232), 4.2L (S6-258)	1972-75	CJ-5, 6, 7	J3213751
		4.2L (S6-258)	1980-86	CJ-5, 7, 8	J3236726
		3.8L (S6-232), 4.2L (S6-258)	1965-79	SJ, J-Series	J3222723
7	Fork, Clutch Throwout	3.8L (S6-232), 4.2L (S6-258)	1973-75	CJ-5, 6	J3217480
		3.8L (S6-232), 4.2L (S6-258)	1976-79	CJ-5, 7	J3224192
		4.2L (S6-258)	1973-79	SJ, J-Series	J3217480
		4.2L (S6-258)	1980-86	All	J5361620
8	Boot, Clutch Fork	3.8L (S6-232), 4.2L (S6-258)	1972-75	CJ-5, 6	J3173646
		3.8L (S6-232), 4.2L (S6-258)	1976-79	CJ-5, 7	J3180370
		4.2L (S6-258)	1980-86	CJ-5, 7, 8	3236453
9	Pivot, Bellcrank, Inner	4.2L (S6-258)	1976-86	CJ-5, 7, 8; Includes Bracket	J5360112
		4.2L (S6-258)	1980-86	SJ, J-Series; Stud Only	J0944666
10	Pivot, Clutch Throwout	3.8L (S6-232), 4.2L (S6-258)	1972-75	CJ-5, 6	J3173474
		3.8L (S6-232), 4.2L (S6-258)	1965-71	SJ, J Series	J3173474
		4.2L (S6-258)	1974-80	SJ, J Series	J3173474
11	Spring, Throwout Lever Release	3.8L (S6-232), 4.2L (S6-258)	1972-75	CJ-5, 6	J3199503
		3.8L (S6-232), 4.2L (S6-258)	1976-86	CJ-5, 7, 8	J3222799
12	Ball, Throwout Lever	3.8L (S6-232), 4.2L (S6-258)	1972-86	CJ-5, 6, 7, 8	J0169162
		4.2L (S6-258)	1971-86	SJ, J-Series	J0169162

Continued on next page

# Clutch

Models w/ 3.8L (S6-230), 3.8L (S6-232), 4.2L (S6-258) Engines



Item #	Description	Engine	Year	Application / Comments	Replaces Part #
13	Rod, Bellcrank to Throwout Fork	3.8L (S6-232), 4.2L (S6-258)	1972-75	CJ-5, 6; 5-3/8" Long	J5351275
		3.8L (S6-232), 4.2L (S6-258)	1974-75	CJ-5, 6; 6" Long	J5354703
		3.8L (S6-232), 4.2L (S6-258)	1976-79	CJ-5, 7 w/ Nut-Type Attachment	J8126668
		4.2L (S6-258)	1979-86	CJ-5, 7, 8 w/ Pin-Type Attachment	J5359943
		4.2L (S6-258)	1974-79	SJ, J-Series w/ Nut-Type Attachment	J5351274
14	Adjuster, Clutch Wear	All	1972-79		J5351209
		All	1980-86		J5359735

Item #	Description	Engine	Year	Application / Comments	Replaces Part #
15	Rod, Clutch Pedal to Bellcrank	3.8L (S6-232), 4.2L (S6-258)	1972-75	CJ-5, 6	J5351302
		3.8L (S6-232), 4.2L (S6-258)	1976-86	CJ-5, 7, 8	J5364620
		4.2L (S6-258)	1973-75	SJ; 18-5/8" Long; Upper	J5351302
		4.2L (S6-258)	1975-79	J-Series; Lower	J5355062
		4.2L (S6-258)	1980-86	SJ, J-Series; Upper	J5359903
16	Boot, Clutch Release Rod	3.8L (S6-232), 4.2L (S6-258)	1972-75	CJ-5, 6	5351375
17	Ball Joint, Adjusting Link	3.8L (S6-232), 4.2L (S6-258)	1965-75	J-Series	J8126777
		3.8L (S6-232), 4.2L (S6-258)	1972-75	CJ-5, 6	J8126777
18	Bellcrank	3.8L (S6-232), 4.2L (S6-258)	1972-75	CJ-5, 6	J5354659
		3.8L (S6-232), 4.2L (S6-258)	1976-86	CJ-5, 7, 8	J5364621
		4.2L (S6-258)	1975-79	J-Series w/ 8" Transmission Gear Shift Rod	J5354027
19	Boot, Clutch Pivot, Inner	3.8L (S6-232), 4.2L (S6-258)	1972-86	CJ-5, 6, 7, 8	J3167049
		3.8L (S6-232), 4.2L (S6-258)	1965-86	SJ, J-Series	J3167049
20	Retainer, Bellcrank Boot	All	1972-86	Inner or Outer	J3169769
21	Bushing, Bellcrank	All	1972-86	Inner or Outer	J3167067
22	Boot, Clutch Pivot, Outer	3.8L (S6-232), 4.2L (S6-258)	1972-86	CJ-5, 6, 7, 8	J3170937
		3.8L (S6-232), 4.2L (S6-258)	1965-86	SJ, J-Series	J3167049
23	Adjuster, Clutch Pedal to Bellcrank Rod	All	1975-86	SJ, J-Series	J5355063
24	Nut, Linkage	All	1966-86	SJ, J-Series	J0124824
25	Bracket and Pivot, Bellcrank, Outer	4.2L (S6-258)	1976-86	CJ-5, 7, 8	J5355339
26	Pad, Clutch Pedal	3.8L (S6-232), 4.2L (S6-258)	1968-86	CJ-5, 6, 7, 8	J5363508
		3.8L (S6-230), 3.8L (S6-232), 4.2L (S6-258)	1965-86	SJ, J-Series	J5363508
27	Spring, Clutch Pedal Return	3.8L (S6-232), 4.2L (S6-258)	1972-86	CJ-5, 6, 7, 8	J5351118
		4.2L (S6-258)	1973-86	SJ, J-Series	J5351118
28	Flywheel (Not Shown In Diagram)	4.2L (S6-258)	1982-86	CJ-5, 7, 8	J3240094
		4.2L (S6-258)	1982-86	SJ, J-Series	J3240094
29	Bushing, Clutch Pedal	3.8L (S6-230)	1963-65	SJ, J-Series	J0946177
		3.8L (S6-232), 4.2L (S6-258)	1966-81	CJ-5, 7, 8	J0949169
		4.2L (S6-258)	1982-86	CJ-5, 7, 8	J0946177
		3.8L (S6-232), 4.2L (S6-258)	1965-86	SJ, J-Series	J0949169
30	Clutch Alignment Tool	All	1972-86	CJ-5, 7, 8; 1-1/8", 10 Spline	53010
		All	1976-79	CJ-5, 6; 1-1/16", 10 Spline	52010
		All	1972-86	SJ, J-Series; 1-1/16", 10 Spline	53010
31	Clutch Pivot Repair Kit	4.2L (S6-258)	1976-86	CJ-5, 7, 8	3167067K
31	Clutch Pivot Repair Kit	4.2L (S6-258)	1972-90	SJ, J-Series	3167067K
32	Clutch Rod Kit	3.8L (S6-232), 4.2L (S6-258)	1972-75	CJ-5	5351302K
33	Clutch Linkage Kit	4.2L (S6-258)	1976-86	CJ-5, 7; LHD	5360104K



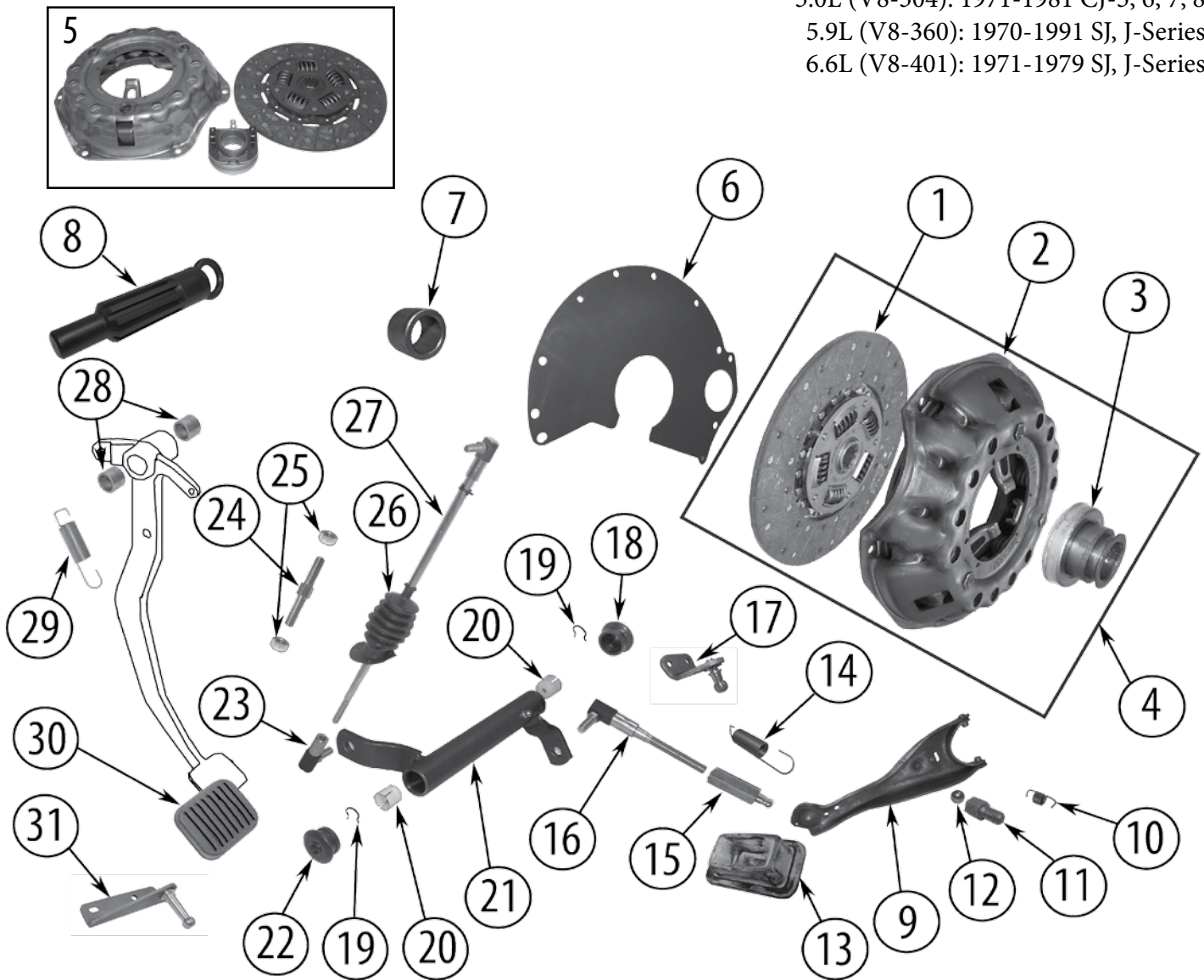
# Clutch

Models w/5.0L (V8-304), 5.9L (V8-360), 6.6L (V8-401) Engines

5.0L (V8-304): 1971-1981 CJ-5, 6, 7, 8

5.9L (V8-360): 1970-1991 SJ, J-Series

6.6L (V8-401): 1971-1979 SJ, J-Series



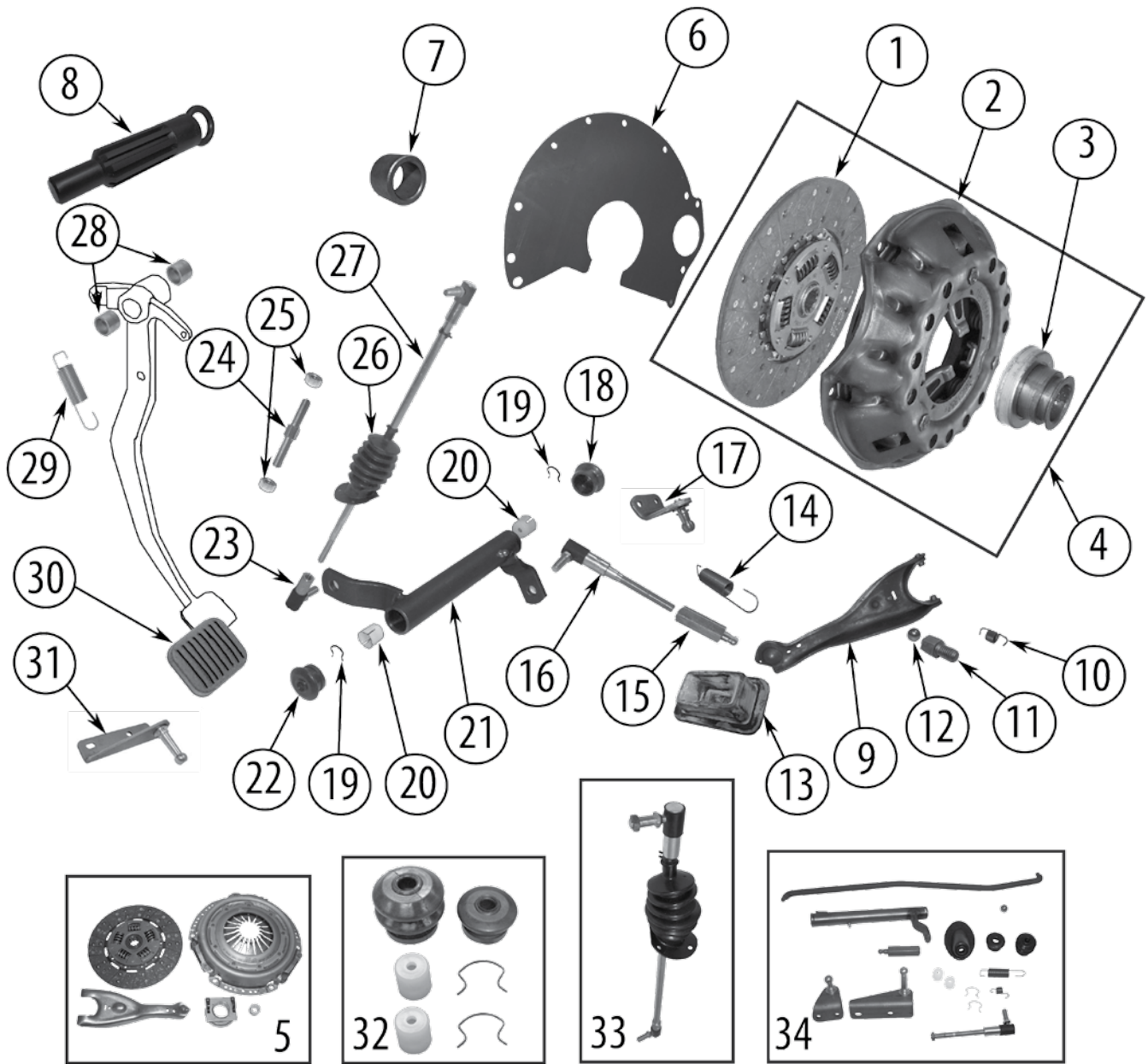
Item #	Description	Engine	Year	Application / Comments	Replaces Part #
1	Disc, Clutch	5.0L (V8-304)	1972-75	CJ-5, 6 w/ 10.5" Clutch	53008259
		5.0L (V8-304)	1976-79	CJ-5, 7 w/ 10.5" Clutch	J5354689
		5.0L (V8-304)	1972-81	CJ-5, 6, 7 w/ 11" Clutch	J3184867
		5.0L (V8-304)	1980-81	CJ-5, 7, 8 w/ 10.5" Clutch	53008259
		5.9L (V8-360), 6.6L (V8-401)	1972-75	SJ, J-Series w/ 10.5" Clutch	53008259
		5.9L (V8-360), 6.6L (V8-401)	1976-79	SJ, J-Series w/ 10.5" Clutch	J5354689
		5.9L (V8-360)	1980-86	SJ, J-Series w/ 11" Clutch	J3184867
		5.9L (V8-360)	1982-86	SJ, J-Series w/ 10.5" Clutch	53004678
2	Plate, Pressure	5.0L (V8-304)	1972-81	CJ-5, 6, 7, 8 w/ 10.5" Clutch	J3184908
		5.0L (V8-304)	1971-81	CJ-5, 6, 7, 8 w/ 11" Clutch	J5357436
		5.9L (V8-360), 6.6L (V8-401)	1972-79	SJ, J-Series w/ 10.5" Clutch	J3184908
		5.9L (V8-360), 6.6L (V8-401)	1971-79	SJ, J-Series w/ 11" Clutch	J5357436
		5.9L (V8-360)	1980-86	SJ, J-Series w/ 11" Clutch	J5357436
		5.9L (V8-360)	1982-86	SJ, J-Series w/ 10.5" Clutch	53004678
		5.9L (V8-360)	1982-86	SJ, J-Series w/ 10.5" Clutch	53004678
		5.9L (V8-360)	1982-86	SJ, J-Series w/ 10.5" Clutch	53004678

Item #	Description	Engine	Year	Application / Comments	Replaces Part #
3	Bearing, Clutch Throwout	5.0L (V8-304)	1972-75	CJ-5, 6 w/ 10.5" Clutch	J5356918
		5.0L (V8-304)	1976-80	CJ-5, 7 w/ 10.5" Clutch	J3241263
		5.0L (V8-304)	1981	CJ-5, 7, 8 w/ 10.5" Clutch	J5361614
		5.0L (V8-304)	1972-81	CJ-5, 6, 7, 8 w/ 11" Clutch	J3190517
		5.9L (V8-360), 6.6L (V8-401)	1971-79	SJ, J-Series	J3190517
		5.9L (V8-360)	1980-86	SJ, J-Series	J5361614
4	Clutch Kit	5.0L (V8-304)	1972-75	CJ-5, 6; 11" Disc, 10 Spline	3184867K
		5.0L (V8-304)	1972-75	CJ-5, 6; 10.5" Disc, 10 Splin	31840909K
		5.0L (V8-304)	1976-80	CJ-5, 7; 10.5" Disc, 10 Spline	3184908E
		5.0L (V8-304)	1980-81	CJ-5, 7, 8; 10.5" Disc, 10 Spline	5360174K
		All	1980-83	CJ-7, 7, 8; 11" Disc, 10 Spline	3184867K
		All	1978-86	SJ, J-Series; 11" Disc, 10 Spline	5357437K
5	Clutch Master Kit	5.0L (V8-304)	1976-79	CJ-5, 7; 10.5" Disc, 10 Spline	5354689MK
		5.0L (V8-304)	1981	CJ-5, 7, 8; 10.5" Disc, 10 Spline	5360174MK
6	Spacer, Bellhousing to Engine	All	1971-86		J3213743
7	Bearing, Pilot	5.0L (V8-304)	1971	CJ-5, 6	J3174730
		5.0L (V8-304)	1972-76	CJ-5, 6, 7	J3213751
		5.0L (V8-304)	1976-79	CJ-5, 7	J3222723
		6.6L (V8-401)	1971	SJ, J-Series	J3174730
		5.9L (V8-360), 6.6L (V8-401)	1976-79	SJ, J-Series	J3222723
8	Clutch Alignment Tool	All	1971-81	1-1/8", 10 Spline	53010
9	Fork, Clutch Throwout	5.0L (V8-304)	1973-75	CJ-5, 6	J3217480
		5.0L (V8-304)	1976-79	CJ-5, 7	J3224192
		5.0L (V8-304)	1980-81	CJ-5, 7, 8	J5361620
		5.9L (V8-360), 6.6L (V8-401)	1973-79	SJ, J-Series	J3217480
		5.9L (V8-360)	1980-86	SJ, J-Series	J5361620
10	Spring, Throwout Lever Release	5.0L (V8-304)	1972-75	CJ-5, 6	J3199503
		5.0L (V8-304)	1976-81	CJ-5, 7, 8	J3222799
		5.9L (V8-360), 6.6L (V8-401)	1971-79	SJ, J-Series	J3199503
		5.9L (V8-360)	1980-86	SJ, J-Series	J3222799
11	Pivot, Clutch Throwout	5.0L (V8-304)	1972-81	CJ-5, 6, 7, 8	J3173474
		5.9L (V8-360), 6.6L (V8-401)	1971-86	SJ, J-Series	J3173474
12	Ball, Throwout Lever	5.0L (V8-304)	1972-81	CJ-5, 6, 7, 8	J0169162
		5.9L (V8-360), 6.6L (V8-401)	1971-86	SJ, J-Series	J0169162
13	Boot, Clutch Fork	5.0L (V8-304)	1972-75	CJ-5, 6	J3173646
		5.0L (V8-304)	1976-79	CJ-5, 7	J3180370
		5.0L (V8-304)	1980-81	CJ-5, 7, 8	3236453
14	Spring, Clutch Fork	5.0L (V8-304)	1976-86		J5351252
15	Adjuster (Link), Clutch Release Rod	5.0L (V8-304)	1972-80	CJ-5, 6, 7	J5351209
		5.0L (V8-304)	1981	CJ-5, 7, 8	J5359735
		5.9L (V8-360), 6.6L (V8-401)	1970-73	SJ, J-Series	J0998666
		5.9L (V8-360), 6.6L (V8-401)	1974-80	SJ, J-Series	J5351209
		5.9L (V8-360)	1981-86	SJ, J-Series	J5359735

Continued on next page

# Clutch

Models w/5.0L (V8-304), 5.9L (V8-360), 6.6L (V8-401) Engines



Item #	Description	Engine	Year	Application / Comments	Replaces Part #
16	Rod, Bellcrank to Fork	5.0L (V8-304)	1972-75	CJ-5, 6; 5-3/8" Long	J5351275
		5.0L (V8-304)	1974-75	CJ-5, 6; 6" Long	J5354703
		5.0L (V8-304)	1976-79	CJ-5, 7; Nut-Type Attachment	J8126668
		5.0L (V8-304)	1979-81	CJ-5, 7, 8; Pin-Type Attachment	J5359943
		5.9L (V8-360), 6.6L (V8-401)	1971-79	SJ, J-Series; Nut-Type Attachment	J5351211
		5.9L (V8-360), 6.6L (V8-401)	1979	SJ, J-Series; Pin-Type Attachment	J5359937*
17	Bracket and Pivot, Bellcrank, Inner	5.0L (V8-304)	1976-81	CJ-5, 7, 8	J5360112
18	Boot, Bellcrank, Inner	All	1972-86		J3167049

\* Not Currently Available

Item #	Description	Engine	Year	Application / Comments	Replaces Part #
19	Retainer, Bellcrank Boot	All	1972-86	Inner or Outer	J3169769
20	Bushing, Bellcrank	All	1972-86	Inner or Outer	J3167067
21	Bellcrank	5.0L (V8-304)	1972-75	CJ-5, 6	J5354659
		5.0L (V8-304)	1976-81	CJ-5, 7, 8	J5364621
		5.9L (V8-360), 6.6L (V8-401)	1975-79	SJ, J-Series	J5354027
22	Boot, Bellcrank, Outer	All	1972-86		J3170937
23	Ball Joint, Adjusting Link	5.0L (V8-304)	1972-75	CJ-5, 6	J8126777
24	Adjuster, Clutch Pedal to Bellcrank Rod	All	1975-86	SJ, J-Series	J5355063
25	Nut, Linkage	All	1966-86	SJ, J-Series	J0124824
26	Boot, Clutch Rod	5.0L (V8-304)	1972-75	CJ-5, 6	5351375
			1976-81	CJ-5, 7, 8	5355322
27	Rod, Clutch Pedal to Bellcrank	5.0L (V8-304)	1972-75	CJ-5, 6	J5351302
		5.0L (V8-304)	1976-81	CJ-5, 7, 8	J5364620
		5.9L (V8-360), 6.6L (V8-401)	1973-75	SJ, J-Series; 15-9/16" Long; Upper	J5351144*
		5.9L (V8-360), 6.6L (V8-401)	1975-79	J-Series	J5355062
		5.9L (V8-360), 6.6L (V8-401)	1973-79	SJ, J-Series; 18-5/8" Long; Upper	J5351302
		5.9L (V8-360)	1980-86	SJ, J-Series; Upper	J5359903
28	Bearing, Clutch Pedal	All	1971-86		J0949169
29	Spring, Clutch Pedal Return	5.0L (V8-304)	1972-81	CJ-5, 6, 7, 8	J5351118
		5.9L (V8-360), 6.6L (V8-401)	1974-86	SJ, J-Series	J5351118
30	Pad, Clutch Cover	All	1971-86		J5363508
31	Bracket and Pivot, Bellcrank, Outer	5.0L (V8-304)	1976-81	CJ-5, 7, 8	J5355339
32	Clutch Pivot Repair Kit	5.0L (V8-304)	1976-86	CJ-5, 7, 8	3167067K
33	Clutch Rod Kit	5.0L (V8-304)	1972-75	CJ-5	5351302K
34	Clutch Linkage Kit	5.0L (V8-304)	1976-86	CJ-5, 7; LHD	5360104K

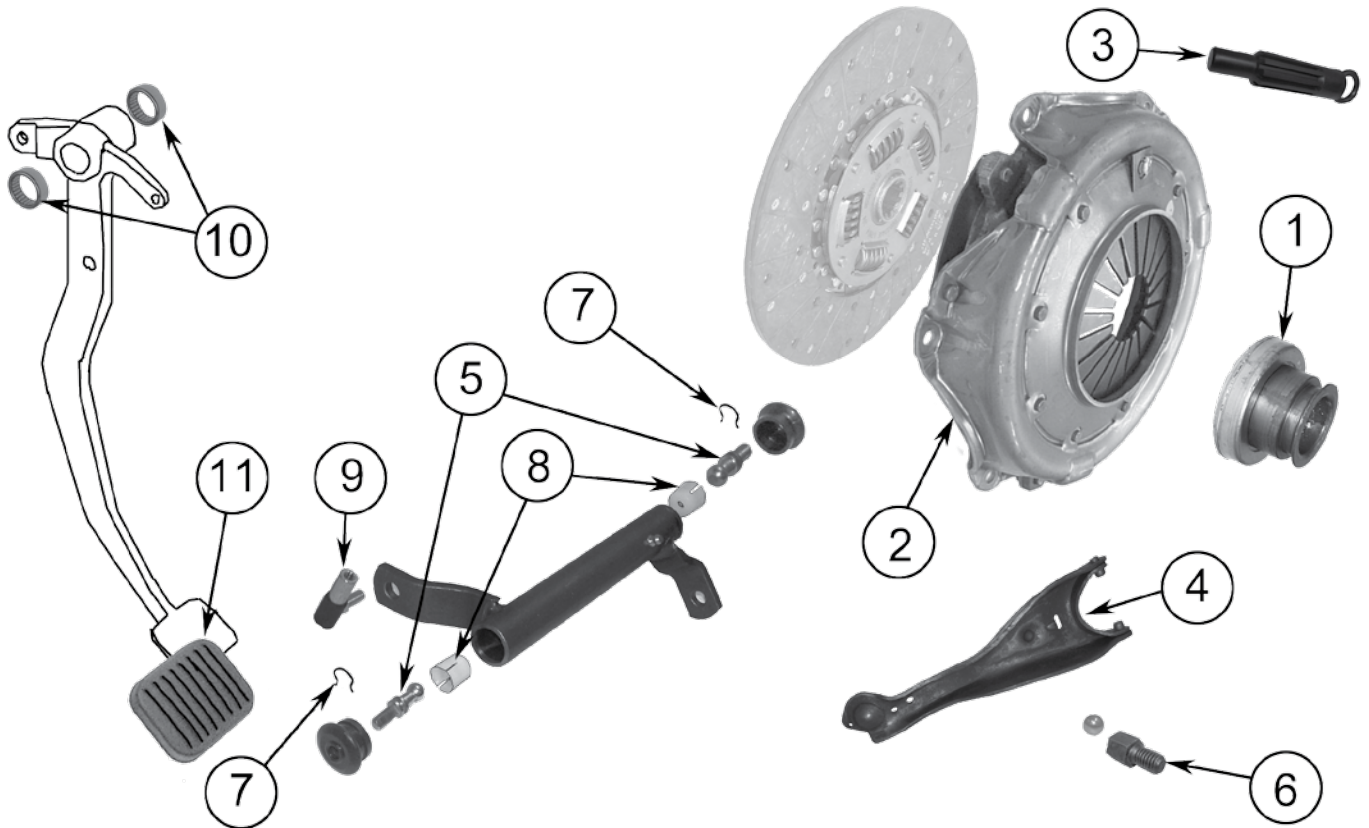
\* Not Currently Available

# Clutch

## Models w/ 5.4L (V8-327), 5.7L (V8-350) Engines

5.4L (V8-327): 1965-1967 SJ, J-Series

5.7L (V8-350): 1968-1971 SJ, J-Series



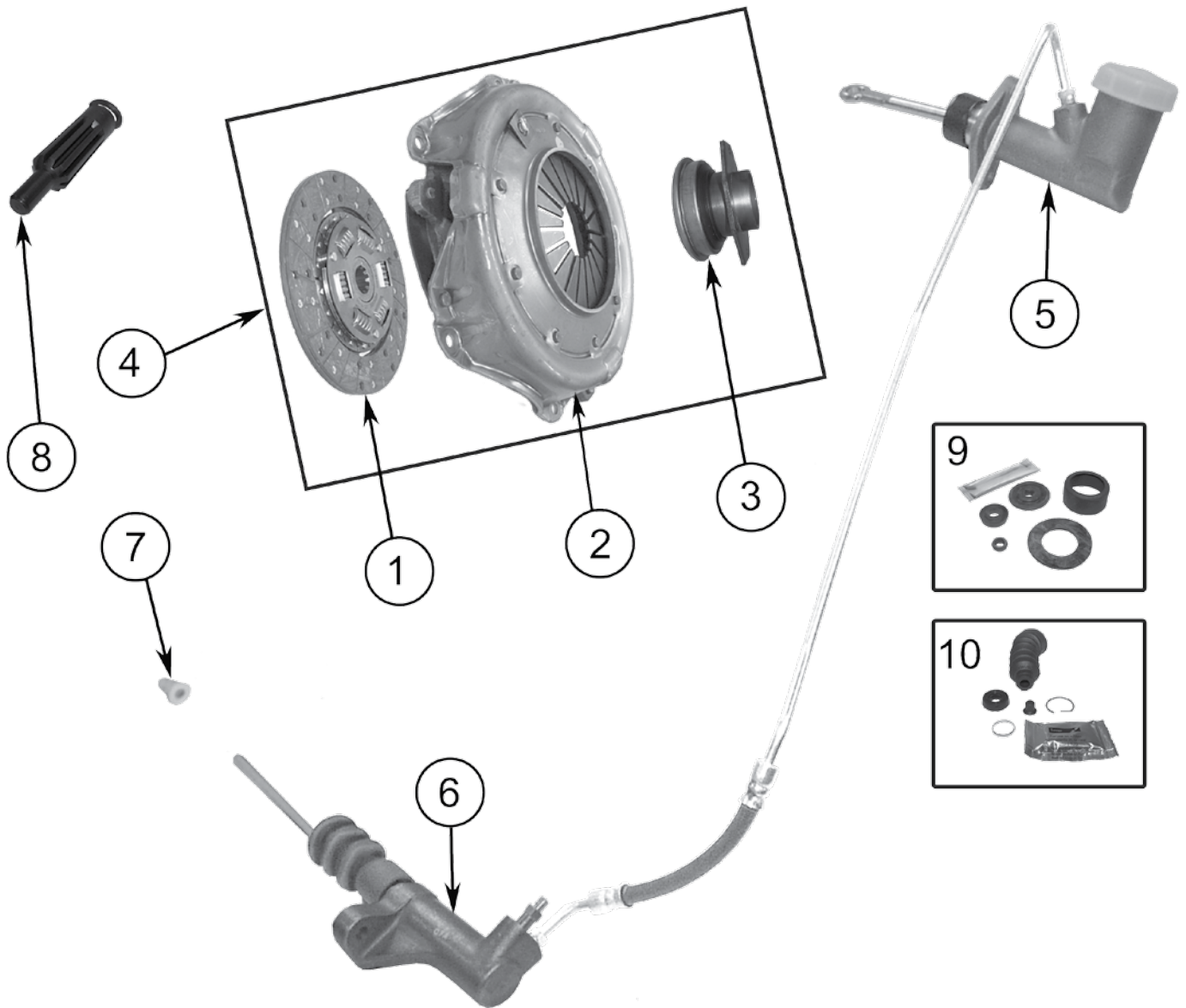
Item #	Description	Engine	Replaces Part #
1	Bearing and Carrier, Clutch Release	5.7L (V8-350)	J0991186
2	Plate, Pressure	5.4L (V8-327)	J4485780
3	Clutch Alignment Tool	5.4L (V8-327), 1-1/8", 10 Spline	53010
4	Fork, Clutch Throwout	5.4L (V8-327)	J3217480
5	Pivot, Throwout Lever	5.7L (V8-350)	J3173474
6	Pivot, Clutch Bellcrank	5.7L (V8-350)	J0944666
7	Clip, Bellcrank Boot Retaining	5.7L (V8-350), 5.4L (V8-327)	J3169769
8	Bushing, Bellcrank Pivot	5.7L (V8-350), 5.4L (V8-327)	J3167067
9	Ball Joint, Clutch Rod	5.7L (V8-350), 5.4L (V8-327)	J8126777
10	Bearing, Clutch Pedal	5.7L (V8-350), 5.4L (V8-327)	J0949169
11	Pad, Clutch Pedal	5.7L (V8-350), 5.4L (V8-327)	J5363508



# Models w/AMC 2.5L (4-150) Engine

# Clutch

1983-1986 CJ-5, 7, 8



Item #	Description	Years	Comments	Replaces Part #
1	Clutch Disc	All	9.125" Disc, 14 Spline, 1" Diameter	53004538
2	Pressure Plate	All		53002711
3	Clutch Release Bearing	All		53000175
4	Clutch Kit	All		8953001420K
5	Master Cylinder, Clutch	All		J5359822
6	Slave Cylinder, Clutch	All		52000070
7	Pivot, Clutch Fork	All		J3217479
8	Clutch Alignment Tool	All	1", 14 Spline	53006
9	Repair Kit, Master Cylinder	All		J8132781
10	Repair Kit, Slave Cylinder	All		83500670



# Clutch

Models w/ 4.2L (S6-258), 5.9L (V8-360) Engines w/ Right Hand Drive (Export)

1



2



3



4



5



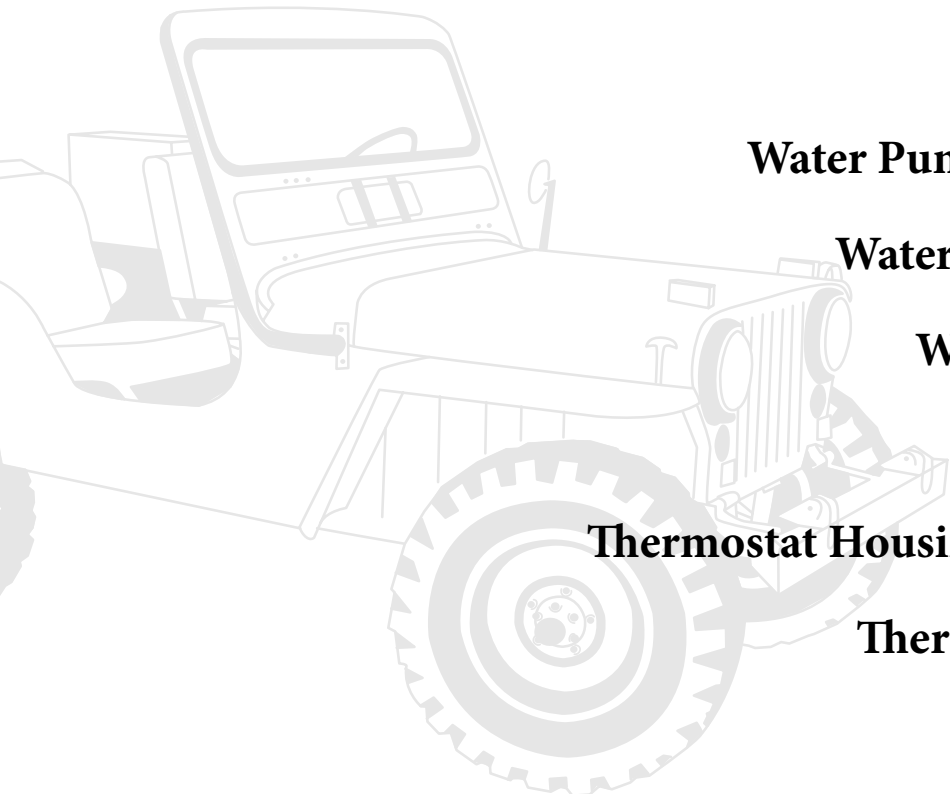
6



Item #	Description	Engine	Years	Application / Comments	Replaces Part #
1	Boot, Clutch Fork	4.2L (S6-258)	1980-86	CJ-5, 7, 8, SJ, J-Series	J3180370
2	Master Cylinder, Clutch	4.2L (S6-258) 5.9L (V8-360)	1981-81 1982-84	CJ-5, 7, 8 SJ, J-Series	J5359822 J8050461
3	Repair Kit, Master Cylinder	4.2L (S6-258)	1981-86	CJ-5, 7, 8	J8132781
4	Slave Cylinder, Clutch	All	1981-86	SJ, J-Series	J3237886
5	Repair Kit, Slave Cylinder	4.2L (S6-258)	1980-86 1981-86	CJ-5, 7, 8 SJ, J-Series (Export)	83500678 J8132782
6	Pivot, Clutch	4.2L (S6-258)	1980-83	CJ-5, 7, 8, SJ, J-Series	J3217479

Note: These parts are particular to right hand drive vehicles only. Please see pages 10-13 for Clutch Discs, Pressure Plates, Throwout Bearings, etc. that fit both left and right hand drive vehicles.

Accessory Drive Belts. . . .	4-2
Air Intake Ducts. . . .	4-3
Coolant Bottles and Related. . . .	4-3
Fan Clutches. . . .	4-3
Drive Belt Idler Pulley. . . .	4-4
Radiators. . . .	4-4
Radiator Caps. . . .	4-4
Radiator Draincocks. . . .	4-4
Radiator Bypass Hose. . . .	4-4
Radiator Fan Blades. . . .	4-5
Radiator Hoses. . . .	4-5
Water Pumps and Gaskets. . . .	4-6
Water Pump Impeller . . . .	4-6
Water Pump Stud . . . .	4-6
Thermostats . . . .	4-7
Thermostat Housings and Gaskets . . . .	4-7
Thermostat Retainer . . . .	4-7





Model	Year	Engine	Comments	Function	Replaces Part #
ALL except M38, M38-A1	1941-71	2.2L (4-134) L or F-Head		Fan and Generator	J0946707
M38, M38-A1	1950-63	2.2L (4-134) L or F-Head	w/ Dual Fan Belts; Includes 2 Belts	Fan and Generator	118866
CJ-5, 7, 8	1983-86	AMC 2.5L (4-150)	w/o A/C	Fan and Alternator	JY013411
CJ-5, 7	1980	GM 2.5L (4-151)		Power Steering	G9433652
CJ-5, 7, 8	1981-82	GM 2.5L (4-151)	w/ Power Steering	Power Steering	JY013506
CJ-5, 7, 8	1981-83	GM 2.5L (4-151)	w/o A/C	Fan and Alternator	JY013475
CJ-5, 6, C104 Commando	1971-73	3.8L (6-232) or 4.2L (6-258)		Fan and Generator	JY013361
CJ-5, 6, C104 Commando	1974	3.8L (6-232) or 4.2L (6-258)		Fan and Alternator	J3229607
CJ-5, 6, 7	1975-76	3.8L (6-232) or 4.2L (6-258)		Fan and Alternator	JY013411
CJ-5, 7, 8, SJ, J-Series	1976-86	3.8L (6-232) or 4.2L (6-258)		Power Steering and Air Pump	JY013251
CJ-5, 7, 8	1977-86	4.2L (6-258)	w/o A/C	Fan and Alternator	JY013411
CJ-5, 7, 8	1981-83	4.2L (6-258)	w/ Dealer Installed A/C	A/C Belt	JY013541
CJ-5, 7, 8, SJ, J-Series	1981	4.2L (6-258)	w/ Factory A/C	A/C Belt	JY017561
CJ-5, 6, SJ, J-Series	1981-82	4.2L (6-258)	w/ Power Steering w/o A/C w/o 70 Amp Alternator	Serpentine	JK060905
CJ-5, 7, SJ, J-Series	1981-82	4.2L (6-258)	w/ A/C w/o Power Steering w/o 70 Amp Alternator	Serpentine	JK060915
CJ-5, 7, SJ, J-Series	1981-82	4.2L (6-258)	w/o A/C w/o Power Steering w/o 70 Amp Alternator (Gatorback)	Serpentine	4060875
CJ-5, 7, 8	1981-86	4.2L (6-258)	w/ Factory Installed A/C; To Crank Pulley	Fan and Alternator	JY013411
CJ-5, 7, 8, SJ, J-Series	1982-86	4.2L (6-258)	w/ Factory Air	A/C Belt	JY017570
CJ-5, 7, 8, SJ, J-Series	1983-86	4.2L (6-258)	w/o Power Steering	Serpentine	JK060817
CJ-6, 7, 8, SJ, J-Series	1983-86	4.2L (6-258)	w/ Power Steering (Gatorback)	Serpentine	4060875
CJ-7, 8, SJ, J-Series	1984-86	4.2L (6-258)	w/ Factory A/C	A/C Belt	B0015491
SJ, J-Series	1981-82	4.2L (6-258)	w/o A/C, w/ Manual Steering	Serpentine	JK060882
SJ, J-Series	1981-83	4.2L (6-258)	w/ American A/C	A/C Belt	JY013541
SJ, J-Series	1981-86	4.2L (6-258)	w/o Factory A/C	Fan and Alternator	JY013411
SJ, J-Series	1983-86	4.2L (6-258)	w/ Power Steering	Serpentine	JK060882
CJ-5, 6, C104 Commando	1971-75	5.0L (V8-304)		Fan and Alternator	JY013411
CJ-5, 7, 8	1977-81	5.0L (V8-304)	w/ A/C; Set of 2	Fan and Alternator	J3227691
CJ-5, 7, 8	1977-81	5.0L (V8-304)	w/o A/C	Fan and Alternator	JY013421
CJ-5, 7, 8	1976-81	5.0L (V8-304)		Power Steering	JY013541
CJ-5, 7, 8, SJ, J-Series	1981-81	5.0L (V8-304), 5.9L (V8-360)	w/ Factory Installed A/C w/ 70, 85 Amp Alternator	Serpentine	J5362180
CJ-5, 7, 8, SJ, J-Series	1976-81	5.0L (V8-304), 5.9L (V8-360), 6.6L (v8-401)		Power Steering and Air Pump	JY013291
CJ-5, 7, SJ, J-Series	1976-81	5.0L (V8-304), 5.9L (V8-360), 6.6L (v8-401)		Crankshaft to Air Pump	JY013541
SJ, J-Series	1968-70	5.7L (V8-350)	w/ A/C	Power Steering	JY013461

Model	Year	Engine	Comments	Function	Replaces Part #
SJ, J-Series	1976-81	5.9L (V8-360)	w/ Heavy Duty Cooling w/o A/C	Fan and Alternator	JY013421
SJ, J-Series	1976-81	5.9L (V8-360)	w/ Heavy Duty Cooling w/ A/C; Set of 2	Fan and Alternator	J3227691
SJ, J-Series	1987-91	5.9L (V8-360)	w/ 85 Amp Alternator	Serpentine	J5362180
SJ, J-Series	1970-73	5.9L (V8-360), 6.6L (V8-401)		Fan and Alternator	JY013411
SJ, J-Series	1974-75	5.9L (V8-360), 6.6L (V8-401)	w/o Heavy Duty Cooling	Fan and Alternator	JY013411
SJ, J-Series	1976	5.9L (V8-360), 6.6L (V8-401)		Crankshaft to Air Pump	JY13541
SJ, J-Series	1976-79	6.6L (V8-401)	w/ Heavy Duty Cooling w/o A/C	Fan and Alternator	JY013421
SJ, J-Series	1976-79	6.6L (V8-401)	w/ Heavy Duty Cooling w/ A/C; Set of 2	Fan and Alternator	J3227691

## Air Intake Ducts



Model	Year	Engine	Comments	Replaces Part #
CJ-5, 7, 8	1981-83	GM 2.5L (4-151)	28" Long	J5358444
SJ, J-Series	1978-91	5.9L (V8-360)	28" Long	J5358444
SJ, J-Series	1981	4.2L (6-258)	w/ HD Intake, 28" Long	J5358444
CJ-5, 7, 8	1978-86	4.2L (6-258)	w/ Power Brakes	J5359272
CJ-5, 7, 8	1979-86	4.2L (6-258)	w/o Power Brakes	J3231980

## Coolant Bottles and Related



Model	Year	Engine	Coolant Bottle	Coolant Bottle Cap	Bottle and Cap Kit
			Replaces Part #	Replaces Part #	Replaces Part #
CJ-5, 7, 8	1981-86	All	J5362920	J3223202	5362920K

## Fan Clutches



Model	Year	Engine	Comments	Replaces Part #
CJ-5, 7, 8	1982-83	GM 2.5L (4-151)	w/ HD Cooling, Tempatrol	J3241856
CJ-5, 7, 8	1983-86	AMC 2.5L (4-150)	Includes Mounting Hardware	J5362722
CJ-5, 6, 7, 8	1974-86	4.2L (6-258)	w/o Serpentine Belt	J5362170
CJ-5, 7, 8, SJ, J-Series	1981-86	4.2L (6-258)	w/ Serpentine Belt; Reverse Rotation	J3241858
SJ, J-Series	1981-86	4.2L (6-258)	w/o Serpentine Belt	J5362170
CJ-5, 6, 7, 8, C104 Commando, SJ, J-Series	1974-91	5.0L (V8-304), 5.9L (V8-360)	Includes Mounting Hardware	J5362722

# Cooling

## Drive Belt Idler Pulley



Model	Year	Engine	Comments	Replaces Part #
CJ-5, 7, 8	1981-86	4.2L (6-258)	3.95", 6 Grooves	J3239821

## Radiators



Model	Year	Engine	Comments	Replaces Part #
CJ-5, 6, 7	1974-80	3.8L (6-232), 4.2L (6-258), 5.0L (V8-304)	3-Core; Cap in the Center	J5361574
CJ-5, 7, 8	1981-86	4.2L (6-258)	2-Core	J5362492
CJ-5, 6, 7	1980-83	GM 2.5L (4-151)	2-Core	J5362898
SJ, J-Series	1980-86	4.2L (6-258)	2-Core	J5361576
SJ, J-Series	1980-91	5.9L (V8-360)	3-Core	52003751

## Radiator Caps



Model	Year	Engine	Comments	Replaces Part #
CJ-3B, 5, 6, C101 Commando, Pickup, Station Wagon	1950-71	2.2L (4-134) F-Head	7 lb. cap	J0648360
CJ-5, 6, 7, 8	1966-86	AMC 2.5L (4-150), GM 2.5L (4-151), V6-225, 3.8L (6-232), 4.2L (6-258), 5.0L (V8-304)	16 lb. cap	52079880AA
C101 Commando, C104 Commando	1966-73	3.7L (6-225)	16 lb. cap	52079880AA
FC-170, Station Wagon	1954-64	3.7L (6-226)	7 lb. cap	J0648360
SJ, J-Series	1963-65	3.8L (6-230)	7 lb. cap	J0648360
SJ, J-Series	1963-65	3.8L (6-230)	13 lb. cap	52079880AA
SJ, J-Series	1965-91	3.8L (6-232), 4.2L (6-258), 5.9L (V8-360), 6.6L (V8-401), V8-350, V8-327	16 lb. cap	52079880AA

## Radiator Draincocks



Model	Year	Engine	Comments	Replaces Part #
All	1959-71	2.2L (4-134), 3.7L (6-266), 3.7L (V6-255), 3.8L (6-230)	Brass	JA001126
CJ-7, 8	1983-86	AMC 2.5L (150)	Brass	J3166547

## Radiator Bypass Hose



Model	Year	Engine	Replaces Part #
CJ-5, 6, 7, 8, C104 Commando, SJ, J-Series	1971-91	5.0L (V8-304), 5.9L (V8-360), 6.6L (V8-401)	J3182494

## Radiator Fan Blades



Model	Year	Engine	Comments	Replaces Part #
MB, CJ-2A, 3A, 3B, M38, M38-A1, Pickup, VJ Jeepster, Station Wagon	1941-68	2.2L (4-134) L or F-Head	4-Blades	J0802636
CJ-5, 6	1955-71	2.2L (4-134) F-Head	w/ 4-Blade Fan	J0802636
C101 Commando	1966-71	2.2L (4-134) F-Head	Before Serial #: 873; 4-Blades	J0802636
CJ-5, 6, 7, SJ, J-Series	1965-80	3.8L (6-232), 4.2L (6-258)	4-Blades	52002171
CJ-5, 7, 8, SJ, J-Series	1981-86	4.2L (6-258)	w/o Serpentine Belt w/ 4-Blades	52002171
CJ-5, 6, 7, 8	1974-86	4.2L (6-258)	6-Blades	J0994277
CJ-5, 6, 7, 8, C104 Commando, SJ, J-Series	1971-91	5.0L (V8-304), 5.9L (V8-360), 6.6L (V8-401)	6-Blades	J0994277
SJ, J-Series	1979-86	4.2L (6-258)	w/ Heavy Duty Cooling; 6-Blades	J0994277

## Upper Radiator Hoses (Inlet)



Model	Year	Engine	Replaces Part #
CJ-5, 6	1955-71	2.2L (F4-134)	J0906779
CJ-5, 7, 8	1980-83	GM 2.5L (4-151)	J5360950
CJ-5, 7, 8	1983-86	AMC 2.5L (4-150)	J5364659
CJ-5, 6, C101 Commando	1966-71	3.7L (V6-225)	J0942368
CJ-5, 6, 7, 8	1972-86	3.8L (6-232), 4.2L (6-258)	J8136659
CJ-5, 6, 7, 8, SJ, J-Series	1974-91	5.0L (V8-304), 5.9L (V8-360), 6.6L (V8-401)	83505532
SJ, J-Series	1981-86	4.2L (6-258)	J5362698

## Lower Radiator Hoses (Outlet)



Model	Year	Engine	Replaces Part #
CJ-5, 7, 8	1980-83	2.4L Diesel	J8060604
CJ-5, 7, 8	1980-83	GM 2.5L (4-151)	J5360951
CJ-5, 7, 8	1983-86	AMC 2.5L (4-150)	J5364660
CJ-5, 6, SJ, J-Series	1965-74	3.8L (6-232), 4.2L (6-258)	J0940398
CJ-5, 6, 7, 8	1975-86	4.2L (6-258)	J5362162
CJ-5, 6, 7, 8, SJ, J-Series, C104 Commando	1974-91	5.0L (V8-304), 5.9L (V8-360), 6.6L (V8-401)	J5354528



# Cooling

## Water Pumps



Model	Year	Engine	Comments	Replaces Part #
MB, CJ-2A, 3A, 3B, 5, 6, FC-150, C101 Commando, Pickup, VJ Jeepster, Station Wagon	1941-66	2.2L (4-134) L or F-Head	w/ Single Groove Pulley; Includes Gasket	J8126774
CJ-3B, 5, 6, C101 Commando	1967-71	2.2L (4-134) L or F-Head	w/o Emission Pump, w/ Single Groove Pulley; Includes Gasket	J8126774
CJ-3B, 5, 6, C101 Commando	1967-71	2.2L (4-134) L or F-Head	w/ Emission Pump	J0945142
CJ-5, 6, SJ, J-Series	1972-74	3.8L (6-232), 4.2L (6-258)	Mounting Flange to Pulley Flange: 3-7/8"	J8136602
CJ-5, 6, 7	1975-79	3.8L (6-232), 4.2L (6-258)	Mounting Flange to Pulley Flange: 4.0"	J8129459
CJ-5, 7, 8, SJ, J-Series	1983-86	AMC 2.5L (4-150), 4.2L (6-258)	w/o Serpentine Belt	J8134320
CJ-5, 7, 8, SJ, J-Series	1983-86	AMC 2.5L (4-150), 4.2L (6-258)	w/ Serpentine Belt	J8134321
CJ-5, 6, SJ, J-Series	1972	5.0L (V8-304), 5.9L (V8-360)	Includes Gasket	J8122307
CJ-5, 6, 7, 8, SJ, J-Series	1973-91	5.0L (V8-304), 5.9L (V8-360)	Includes Gasket	J3234427
CJ-5, 6, 7	1980-83	GM 2.5L (4-151)	Includes Gasket	J8136613
M38, M38-A1	1950-63	2.2L (4-134) L or F-Head	w/ Single Groove Pulley; Includes Gasket	J8126774

## Water Pump Gaskets



Model	Year	Engine	Replaces Part #
All	1941-71	2.2L (4-134) L or F-Head	637053
CJ-5, 6, 7, 8, C104 Commando, SJ, J-Series	1965-86	AMC 2.5L (4-150), 3.8L (6-232), 4.2L (6-258)	J3173204
CJ-5, 6, 7, 8, C104 Commando, SJ, J-Series	1971-91	5.0L (V8-304), 5.9L (V8-360), 6.6L (V8-401)	J3181899

## Water Pump Impeller



Model	Year	Engine	Replaces Part #
All	1941-71	2.2L (4-134) L or F-Head	639993

## Water Pump Stud



Model	Year	Engine	Replaces Part #
CJ-5, 7, 8	1981-86	AMC 2.5L (4-150), 4.2L (6-258)	J4006714

## Thermostats



Model	Year	Engine	Comments	Replaces Part #
All	1941-71	2.2L (4-134) L or F-Head	170 Degrees	J0812050
All	1941-71	2.2L (4-134) L or F-Head	180 Degrees	905594
All	1954-64	6-226	170 Degrees	J0812050
All	1954-64	6-226	180 Degrees	905594
All	1962-65	6-230	170 Degrees	J0812050
All	1962-65	6-230	180 Degrees	905594
All	1965-86	3.8L (6-232), 4.2L (6-258)	195 Degrees	83501426
All	1971-91	5.0L (V8-304), 5.9L (V8-360), 6.6L (V8-401)	195 Degrees	83501426

## Thermostat Housings and Gaskets



Model	Year	Engine	Housing Replaces Part #	Gasket Replaces Part #
All	1941-53	2.2L (4-134) L-Head	A1192*	639650
All	1953-71	2.2L (4-134) F-Head	J0800293	J0648852
SJ, J-Series, Pickup	1962-65	6-230	J0800293	J0648852
CJ-5, 6, SJ, J-Series	1966-67	3.8L (6-232)	J3172305	3172314*
CJ-5, 6, SJ, J-Series, C104 Commando	1968-74	3.8L (6-232), 4.2L (6-258)	J3189718	J3189874
CJ-5, 6, 7, SJ, J-Series	1975-80	3.8L (6-232), 4.2L (6-258)	J3224216	J3189874
CJ-5, 7, 8, SJ, J-Series	1981-86	4.2L (6-258)	33004856	J3189874
CJ-5, 7, 8	1983-86	AMC 2.5L (4-150)	33004856	J3189874
CJ-5, 6, 7, 8, SJ, J-Series, C104 Commando	1971-91	5.0L (V8-304), 5.9L (V8-360), 6.6L (V8-401)	J3238509	J3187543

## Thermostat Retainer



Model	Year	Engine	Comments	Replaces Part #
CJ-2A, 3A, MB, M38	1941-53	2.2L (4-134) L-Head		J0639651

\* Not Currently Available



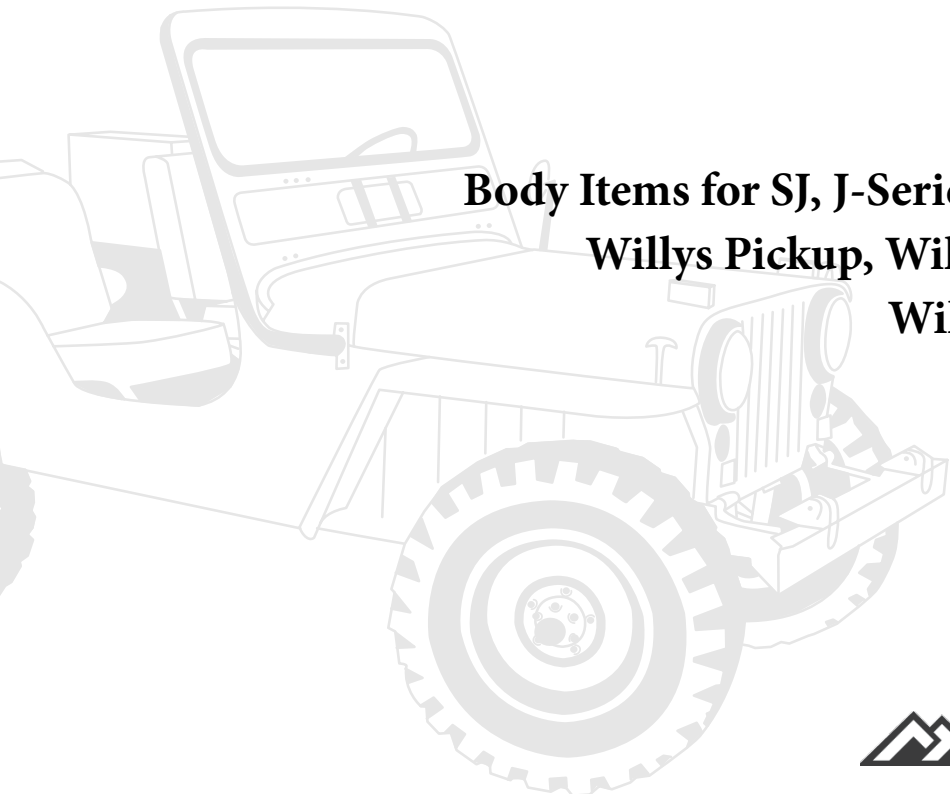
**Body Items for MB . . . . . 5-2**

**Body Items for All CJs, M38, M38-A1**

Fender and Related . . . . . 5-4  
Tailgate and Related . . . . . 5-4  
Bumper and Related . . . . . 5-5  
Grille and Related . . . . . 5-5  
Door and Related . . . . . 5-6  
Hood and Related . . . . . 5-7  
Miscellaneous . . . . . 5-7  
Windshield and Related . . . . . 5-8  
Frame and Related . . . . . 5-8  
Weatherstrip and Seals . . . . . 5-9  
Soft Goods . . . . . 5-10  
Interior Accessories . . . . . 5-11  
Mirrors . . . . . 5-12

**Body Items for SJ, J-Series, FC170, Jeepster,  
Wilys Pickup, Wilys Station Wagon,  
Wilys Sedan Delivery**

Miscellaneous . . . . . 5-13  
Universal Accessories . . . . . 5-14



This Symbol indicates item is an **RT Off-Road** Accessory, Upgrade or Performance item



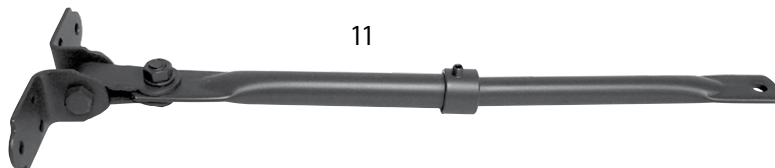
## Exterior Body Items






## Weatherstrips



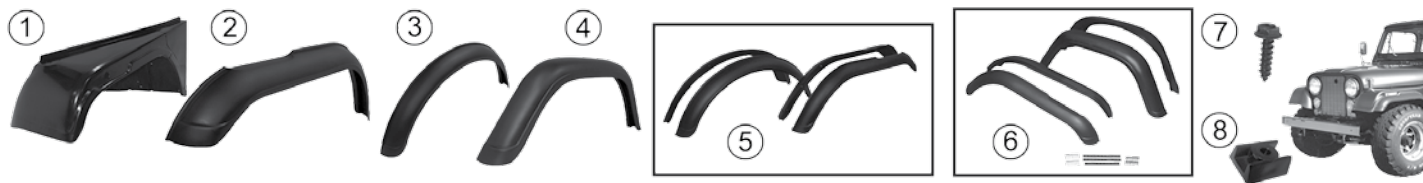
## Mirrors



Item #	Description	Position	Color	Comments	Replaces Part #
<b>Exterior Body</b>					
1	Corner Panel Handle	Rear Left or Right	Olive Drab		A2389
2	Door Snap		Black and Copper	Body Side Soft Door Snap; 14 Required	A3051
3	Hood Catch Bracket	Left or Right	Black	Upper	55009343
4	Hood Catch Kit	Left or Right	Black	Includes Catch, Bracket and Hardware	HC2
		Left or Right	Stainless	Includes Catch, Bracket and Hardware	RT26005 
		Left or Right	Black	Rubber Coated; Includes Catch, Bracket, and Hardware	HC4
		Left or Right	Chrome	Includes Catch, Bracket and Hardware	RT26006 
5	Hood Catch Kit	Left and Right	Stainless	Includes 2 Hood Catches, 2 Brackets, and Hardware	RT34011 
		Left and Right	Black	Includes 2 Hood Catches, Brackets, and Hardware	488601
6	Jerry Can Strap Set		Olive Drab		A4127
7	Soft Top Bow Bracket	Rear Left or Right	Olive Drab	Mounts to the Side of the Body	A2754
8	Soft Top Strap Set		Olive Drab	Soft Top Bow Hold Down Strap Set; Includes 2 Straps	A3110
<b>Weatherstrip</b>					
9	Cowl Weatherstrip		Black	Windshield Frame to Cowl	J0671045
10	Windshield Weatherstrip		Black		A2250
<b>Mirrors</b>					
11	Mirror Arm and Bracket		Olive Drab		A2934B
12	Mirror Head		Olive Drab	5" Diameter	A2934CR







### Fender and Related



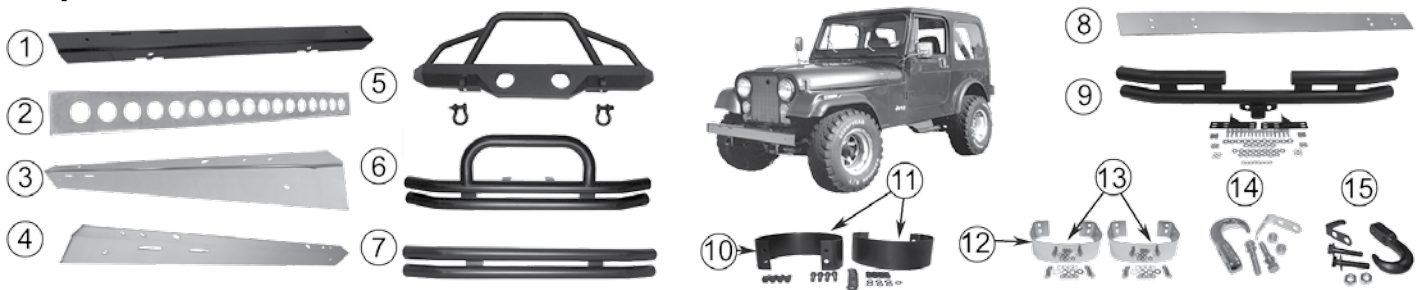
Item #	Description	Years	Models	Location	Comments	Replaces Part #
1	Fender	1952-68	M38-A1, CJ-5, 6	Left		984705
		1969-71	CJ-5, 6	Left	w/ Side Marker Lamp	984705
		1972-86	CJ-5, 6, 7, 8	Left		J5758618
		1952-68	M38-A1, CJ-5, 6	Right		984706
		1969-71	CJ-5, 6	Right	w/ Side Marker Lamp	984706
		1972-86	CJ-5, 6, 7, 8	Right		J5758964
2	Fender Flare	1955-86	CJ-5, 7, 8	Front, Left	w/ Cutout for Side Marker Lens	J5455071
		1955-86	CJ-5, 7, 8	Front, Right	w/ Cutout for Side Marker Lens	J5455072
3	Fender Flare	1955-86	CJ-5, 6, 7	Rear, Left		J5455073
		1955-86	CJ-5, 6, 7	Rear, Right		J5455074
4	Fender Flare	1981-86	CJ-8	Rear, Right	Modifications to Flare Needed to Fit	5AH16JX9
		1981-86	CJ-8	Rear, Left	Modifications to Flare Needed to Fit	5AH17JX9
5	Fender Flare Set	1955-86	CJ-5, 6, 7	F and R, L and R	Has Cutouts for Side Marker Lens; Includes 4 OE Replacement Style Fender Flares w/ Hardware	J8997109
6	Fender Flare Kit	1981-86	CJ-8	F and R, L and R	Contains 4 Fender Flares and Hardware; Modifications to Rear Flares Is Necessary	8997109CJ8
7	Fender Flare Screw	1955-86	CJ-5, 6, 7, 8	F or R	24 Required Per Vehicle	J4002337
8	Fender Flare Nut	1955-86	CJ-5, 6, 7, 8	F or R	Used in Fender Flare Hardware Kits	J4004868

### Tailgate and Related



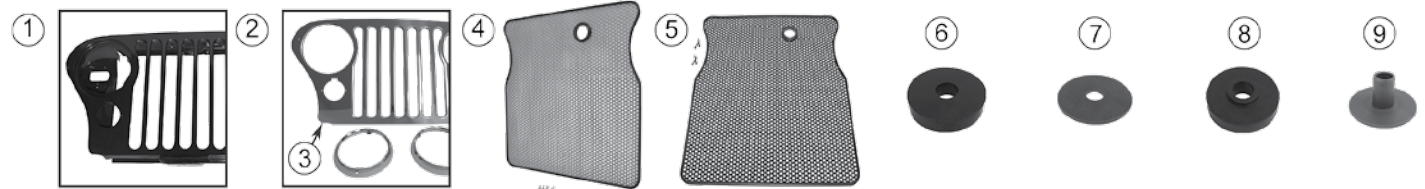
Item #	Description	Years	Models	Location	Comments	Replaces Part #
1	Tailgate	1976-86	CJ-7, 8			J5454025
2	Tailgate Kit	1976-86	CJ-7, 8		Includes Tailgate and Seal	5454025K
3	Tailgate Hinge Set	1976-86	CJ-7, 8	L and R	Stainless, Lower; Includes Hardware	RT34035 
4	Liftgate Hinge Set	1977-86	CJ-7	L and R	Stainless, w/ Hardtop; Includes Hardware	RT34032 
5	Liftgate Hinge	1976-86	CJ-7	L or R	Gloss Black Finish	J8128520
6	Tailgate Tire Stop	1976-86	CJ-7, 8	Center	Stainless; Includes Hardware	RT34015 
7	Tailgate Tire Stop	1976-86	CJ-7, 8	Center	Black Powder Coated Stainless Steel; Includes Hardware	RT26018 
8	Spare Tire Carrier	1945-83	CJ-2A, 3A, 3B, 5, 6		Mounts On Rear Quarter Panel	J5461361
9	Tailgate Cable	1976-86	CJ-7, 8		19.5" Long; 2 Required	J5752617

## Bumper and Related



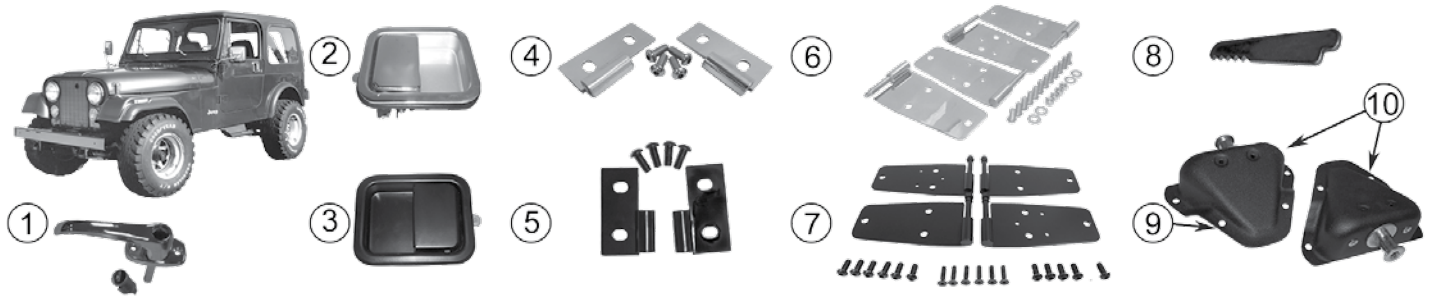
Item #	Description	Years	Models	Location	Comments	Replaces Part #
1	Bumper	1955-86	CJ-5, 6, 7, 8	Front	Black	J5355342
2	Bumper	1955-86	CJ-5, 6, 7, 8	Front	Stainless Steel w/ Holes; 54" Wide	RT34022
3	Bumper	1955-86	CJ-5, 6, 7, 8	Front	Stainless Steel; 54" Wide	RT34023
4	Bumper Overlay	1976-86	CJ-5, 7, 8	Front	Stainless Steel	RT34024
5	HD Bumper	1976-86	CJ-5, 7, 8	Front	Textured Black Finish	RT20016
6	Tube Bumper	1976-86	CJ-5, 7, 8	Front	Black Semi-Gloss	RT20006
7	Tube Bumper	1976-86	CJ-5, 7, 8	Front	Black Semi-Gloss	RT20008
8	Bumper Overlay	1976-86	CJ-5, 7, 8	Rear	Stainless Steel	RT34025
9	Tube Bumper	1976-86	CJ-5, 7, 8	Rear	Black Semi-Gloss, w/ Receiver Hitch	RT20007
10	Bumperette	1976-86	CJ-5, 7, 8	Rear	Black; 2 Required	J5355457
11	Bumperette Kit	1976-86	CJ-5, 7, 8	Rear	Black, Set of 2 w/ Hardware	5355457K
12	Bumperette	1976-86	CJ-5, 7, 8	Rear	Stainless, 2 Required	RT34001
13	Bumperette Kit	1976-86	CJ-5, 7, 8	Rear	Stainless, Set of 2 w/ Hardware	RT20020
14	Tow Hook Kit	1955-86	CJ-5, 6, 7, 8	Rear	Chrome, Incl. Hardware, 10,000 Lbs Weight Capacity	RT33014
15	Tow Hook Kit	1955-86	CJ-5, 6, 7, 8	Rear	Black, Incl. Hardware, 10,000 Lbs Weight Capacity	RT33015

## Grille and Related



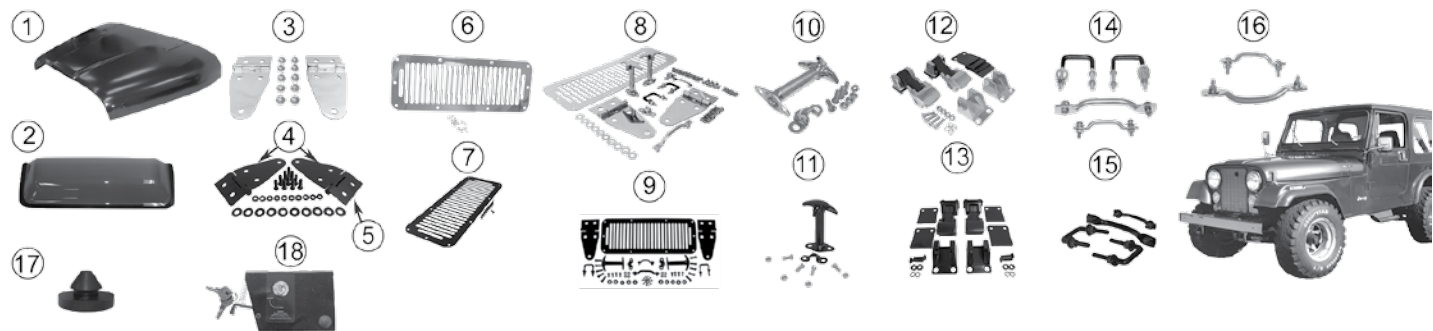
Item #	Description	Years	Models	Comments	Replaces Part #
1	Grille	1972-86	CJ-5, 6, 7, 8	w/ Parking Lamp with 2 Screws	J5752656
2	Grille Overlay Kit	1972-86	CJ-5, 6, 7, 8	Stainless Steel, Incl. Chrome Headlamp Bezels	RT34031
3	Grille Overlay	1972-86	CJ-5, 6, 7, 8	Stainless Steel	RT34086
4	Bug Screen	1955-86	CJ-5, 6, 7, 8	Stainless	RT34021
5	Bug Screen	1955-86	CJ-5, 6, 7, 8	Black	RT26023
6	Grille Mount Bushing	1972-86	CJ-5, 6, 7, 8	Mounts directly under frame	J0971669
7	Grille Mounting Washer	1979-86	CJ-5, 7, 8	Flat Washer	J0971672
8	Grille Mount Bushing	1972-86	CJ-5, 6, 7, 8	Mounts directly over frame	J0972278
9	Grille Mounting Washer	1979-86	CJ-5, 7, 8	Washer with Sleeve	J0971673

## Door and Related














Item #	Description	Years	Models	Location	Comments	Replaces Part #
1	Door Handle	1976-81	CJ-5, 7	L or R	Chrome; Includes Lock Cylinder	J8128461
2	Door Handle	1981-86	CJ-5, 7, 8	Right	Chrome; w/ Full Steel Doors	J5758172
		1981-86	CJ-5, 7, 8	Left	Chrome; w/ Full Steel Doors	J5758173
3	Door Handle	1981-86	CJ-5, 7, 8	Right	Black; w/ Full Steel Doors	55076222
		1981-86	CJ-5, 7, 8	Left	Black; w/ Full Steel Doors	55076223
4	Door Hinge Bracket Set	1955-86	CJ-5, 6, 7, 8	L and R	Polished Stainless; Lower Body Side; Incl. Hardware	RT34007
5	Door Hinge Bracket Set	1955-86	CJ-5, 6, 7, 8	L and R	Black, Lower Body Side; Incl. Hardware	RT26002
		1955-86	CJ-5, 6, 7, 8	L and R	Matte Black Powder Coated Stainless; Lower Body Side; Incl. Hardware	RT34092
6	Door Hinge Set	1976-86	CJ-5, 7, 8	L and R	Stainless, Includes 4 Door Hinges and Hardware	RT34008
7	Door Hinge Set	1976-86	CJ-5, 7, 8	L and R	Matte Black Powder Coated Stainless; Includes 4 Door Hinges and Hardware	RT34093
8	Door Handle Keeper	1981-86	CJ-5, 7, 8	L or R	2 Required Per Door	55076221
9	Door Striker	1981-86	CJ-7, 8	Right	w/ Paddle Style Door	55029454K
		1981-86	CJ-7, 8	Left	w/ Paddle Style Door	55029455K
10	Door Striker Kit	1981-86	CJ-7, 8	L and R	w/ Paddle Style Door	550294545K

## Hood and Related

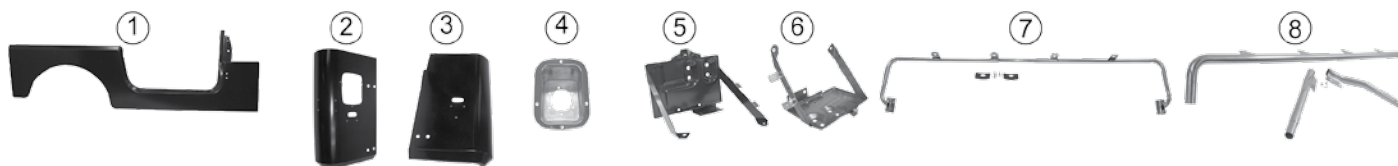






Item #	Description	Years	Models	Location	Comments	Replaces Part #
1	Hood	1972-86	CJ-5, 6, 7, 8		Primed	J5761180
2	Cowl Scoop	1976-86	CJ-7, 8		Smoke Colored Plastic	RT26001
3	Hood Hinge Set	1955-86	CJ-5, 6, 7, 8	L or R	Stainless; Includes Hardware	RT34012
4	Hood Hinge Set	1955-86	CJ-5, 6, 7, 8	L or R	Matte Black Powder Coated Stainless; Incl. Hardware	RT34095
5	Hood Hinge	1955-86	CJ-5, 6, 7, 8	L or R	Black; 2 Required	55016588
6	Cowl Vent Cover	1955-75	CJ-5, 6		Chrome	RT26024
		1978-86	CJ-5, 7, 8		Stainless Steel; Includes Hardware	RT34014
7	Cowl Vent Cover	1978-86	CJ-5, 7, 8		Black; Includes Hardware	RT26008

## Hood and Related

Item #	Description	Years	Models	Location	Comments	Replaces Part #
8	Complete Hood Set	1978-76	CJ-5, 7, 8		Stainless; Includes Hardware	RT34013 
9	Complete Hood Set	1978-76	CJ-5, 7, 8		Black; Includes Hardware	RT26007 
10	Hood Catch Kit	1945-86	All CJs	L or R	Stainless	RT26005 
		1945-86	All CJs, M38, M38-A1	L and R	Stainless Steel; Includes 2 Catches, 2 Brackets, and Hardware	RT34011 
		1945-86	All CJs	L or R	Chrome, Includes 1 Catch, 1 Bracket and Hardware	RT26006 
11	Hood Catch Kit	1945-86	All CJs	L and R	Black, Includes 2 Catches, Brackets, and Hardware	488601
		1945-86	All CJs	L or R	Black, Includes 1 Catch, 1 Bracket and Hardware	HC2
		1945-86	All CJs	L or R	Black, Rubber Coated; Includes 1 Hood Catch, 1 Bracket, and Hardware	HC4
12	Hood Catch Kit	1955-86	CJ-5, 6, 7, 8	L and R	TJ Style, Stainless Steel; Includes Lower Catches, Upper Catch Brackets, Isolators, and Hardware	RT34083 
13	Hood Catch Kit	1955-86	CJ-5, 6, 7, 8	L and R	TJ Style Matte Black Powder Coated Stainless; Includes Lower Catches, Upper Catch Brackets, Isolators, and Hardware	RT34084 
14	Windshield Tie Down Kit	1955-86	CJ-5, 6, 7, 8		Stainless Steel; Includes Hardware	RT34019 
15	Windshield Tie Down Kit	1955-86	CJ-5, 6, 7, 8		Black; Includes Hardware	RT26022 
16	Footman Loop Set	1955-86	CJ-5, 6, 7, 8		Stainless, Contains 1 Large and 1 Small Footman Loop; Includes Hardware	RT34029 
17	Hood Bumper	1981-86	CJ-5, 7, 8	L or R	Prevents Hood From Contacting the Grille; 3/8" Thick	4007504
		1972-86	CJ-5, 6, 7, 8	L or R	Prevents Hood From Contacting the Grille; 3/16" Thick	5455348
		1972-86	CJ-5, 7, 8	L or R	Prevents Hood From Contacting The Grille; 1/4" Thick	J5761372
18	Hood Lock	1955-86	CJ-5, 6, 7, 8			RT26026 

## Miscellaneous Exterior Body Items







Item #	Description	Years	Models	Location	Comments	Replaces Part #
1	Side Panel	1976-86	CJ-7	Right	Less "Jeep" Logo	4798282
		1976-86	CJ-7	Left	Less "Jeep" Logo	4798283
2	Corner Panel	1976-86	CJ-7, 8	Right	Has A Hole for The Fuel Filler Neck	J5764220
3	Corner Panel	1976-86	CJ-7, 8	Left	No Hole for The Fuel Filler Neck	J5764221
4	Fuel Neck Protector	1978-86	CJ-5, 7, 8		Stainless	RT34089 
5	Battery Tray	1976-86	CJ-5, 7, 8		Black	J5764665
6	Battery Tray	1976-86	CJ-5, 7, 8		Stainless	RT34087 
7	Light Bar	1976-86	CJ-7, 8		Stainless Steel Light Bar with 4 Light Tabs	RT28008 
8	Light Bar	1976-86	CJ-5, 7, 8		Stainless Steel Light Bar with 4 Light Tabs; No Drill	RT28009 

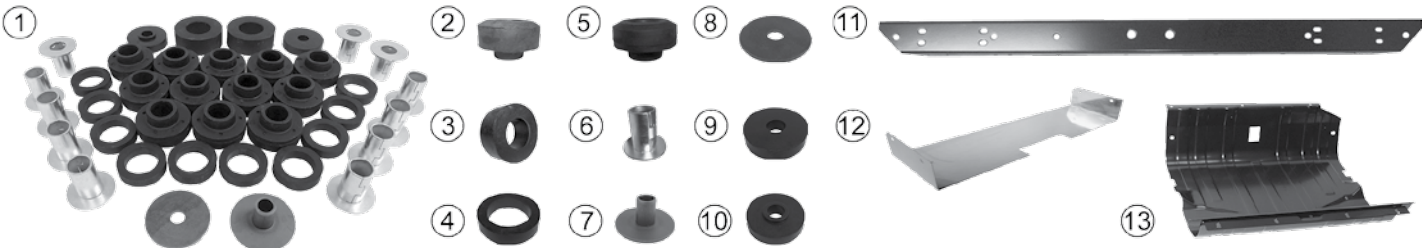



## Windshield and Related



Item #	Description	Years	Models	Location	Comments	Replaces Part #
1	Windshield Frame	1952-69 1969-75 1976-86	M38-A1, CJ-5, 6 CJ-5, 6 CJ-5, 7, 8		w/ Top-Mounted Wipers	973727 J0987996 J5758971
2	Windshield Frame Kit	1976-86	CJ-5, 7, 8		Includes Frame, Weatherstrips, Channel, Torx Screws	5758971K
3	Windshield Hinge	1955-75	CJ-5, 6	Left	Black Painted Finish, Upper (Windshield Side)	J0688933
		1955-75	CJ-5, 6	Right	Black Painted Finish, Upper (Windshield Side)	J0688934
4	Windshield Hinge	1976-86	CJ-7, 8	Right	Includes Holes for Outside Mirrors	J5462424
		1976-86	CJ-7, 8	Left	Includes Holes for Outside Mirrors	J5462425
5	Windshield Hinge Kit	1976-86	CJ-5, 7, 8	L and R	Matte Black Powder Coated; Includes Hardware	RT34096 
6	Windshield Hinge Kit	1976-86	CJ-5, 7, 8	L and R	Black, Includes Hardware	546242425K
		1976-86	CJ-5, 7, 8	L and R	Stainless Steel; Includes Hardware	RT34017 
7	Windshield Light Mount Bracket Set	1976-86	CJ-5, 7, 8	L and R	Stainless Steel; Includes Hardware	RT34018 
		1976-86	CJ-5, 7, 7	L and R	Black; Includes Hardware	RT26021 
8	Windshield Frame Screw	1976-86	CJ-5, 7, 8		16 Required, Black	6035757
		1976-86	CJ-5, 7, 8		16 Required, Stainless Steel	40049565S
	Windshield Frame Screw Kit	1976-86	CJ-5, 7, 8		Includes 16 Screws, Black	6035757K

## Frame and Related

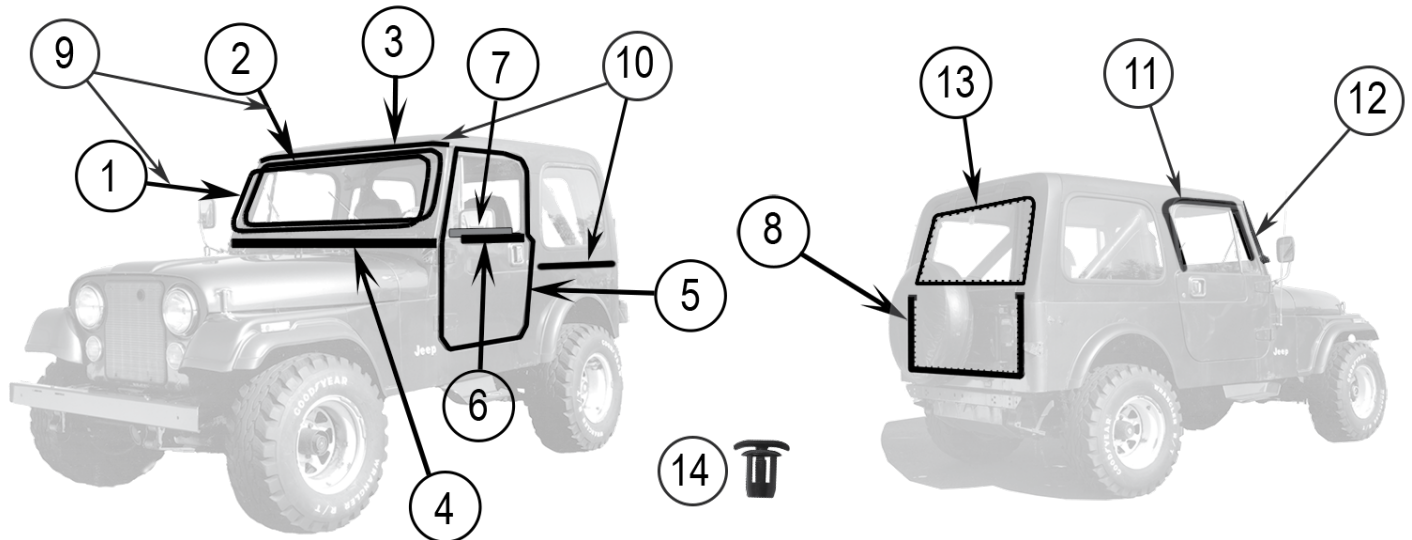


Item #	Description	Years	Models	Comments	Replaces Part #
1	Body Mount Kit	1979-86	CJ-5, 7, 8	w/ Steel Body; Includes Upper and Lower Grille Mount Bushings, Grille Mount Retainer, Grille Mount Washer, Upper and Lower Body Mount Bushings, and Body Mount Retainers	5462446K
2	Body Mount Bushing	1976-76	CJ-5, 7	Upper	J5455290
3	Body Mount Bushing	1977-86	CJ-5, 7, 8	Upper; 12 Required for CJ-8; 10 Required for CJ-5, 7	J5462447
4	Body Mount Bushing	1977-86	CJ-5, 7, 8	Lower; All Except Front; 10 Required for CJ-8; 8 Required for CJ-5, 7	J5462446
5	Body Mount Bushing	1979-86	CJ-5, 7, 8	Lower; Front; 2 Required	J5459515
6	Body Mount Sleeve	1979-86	CJ-5, 7, 8		J5456734
7	Grille Mounting Sleeve	1979-86	CJ-5, 7, 8		J0971673
8	Grille Mounting Washer	1979-86	CJ-5, 7, 8		J0971672
9	Grille Mount Bushing	1972-86	CJ-5, 6, 7, 8	Lower	J0971669
10	Grille Mount Bushing	1972-86	CJ-5, 6, 7, 8	Upper	J0972278
11	Crossmember	1976-86	CJ-5, 7, 8	Rear	J8127711
12	Frame Cover	1976-86	CJ-5, 7, 8	Front, Stainless Steel	RT34030 
13	Fuel Tank Skid Plate	1976-86	CJ-5, 7, 8	w/ 15 Gallon Fuel Tank	J5357023

# Weatherstrip and Seals

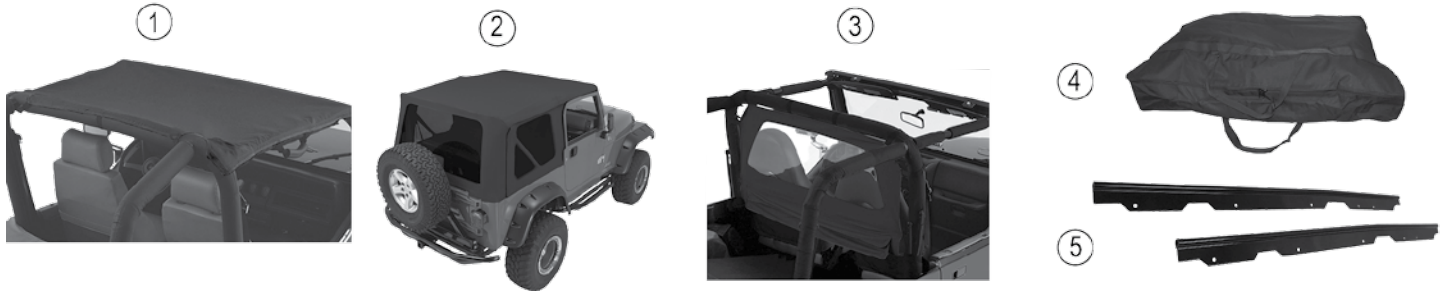
# Body

M38, CJ-2A, CJ-3A, CJ-3B, CJ-5, CJ-6, CJ-7, CJ-8



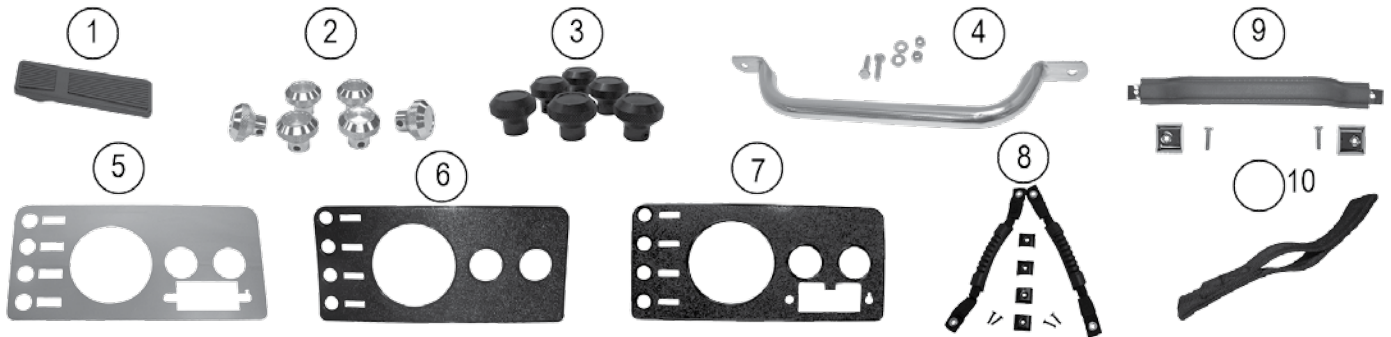
Item #	Description	Years	Models	Comments	Replaces Part #
1	Windshield Weatherstrip	1949-75	CJ-3A, 3B, 5, 6, M38	Locks Windshield into Frame	J0978986
2	Windshield Weatherstrip	1945-49	CJ-2A	Cut into 7'3" Long Strips	A2250
		1949-75	CJ-3A, 3B, 5, 6, M38	Seals Windshield to Frame	J0978995
		1962-73	CJ-3B, 5, 6	w/ Fold-Out Windshield	J0958731
		1976-86	CJ-5, 7, 8		J5453949
3	Windshield Frame Weatherstrip	1976-86	CJ-5, 7, 8	w/ Hardtop; Windshield Frame to Hard Top Weatherstrip	55052607
4	Cowl Weatherstrip	1945-49	CJ-2A	Windshield Frame to Cowl Weatherstrip	J0671045
		1948-68	CJ-3A, 3B, M38	Windshield Frame to Cowl Weatherstrip	674234
		1955-75	CJ-5, 6	Windshield Frame to Cowl Weatherstrip	J0989844
		1976-86	CJ-5, 7, 8	Windshield Frame to Cowl Weatherstrip	J5453950
5	Door Weatherstrip	1976-86	CJ-5, 7, 8	Right, w/ Full Steel Doors	55176222
		1976-86	CJ-5, 7, 8	Left, w/ Full Steel Doors	55176223
6	Door Glass Weatherstrip	1976-86	CJ-5, 7, 8	Right, Outer	55024254
		1976-86	CJ-5, 7, 8	Left, Outer	55024255
7	Door Glass Weatherstrip	1982-86	CJ-7, 8	Left, w/ Movable Vent Glass; Inner	J5762384
		1982-86	CJ-7, 8	Right, w/ Movable Vent Glass; Inner	J5762385
8	Tailgate Weatherstrip	1976-86	CJ-7, 8	Tailgate Seal; Includes Clips	J5457112
9	Windshield Weatherstrip Kit	1948-75	CJ-3A, 3B, 5, 6, M38	Includes #1 and #2	978995K
10	Hardtop Weatherstrip Kit	1976-86	CJ-7, 8	Includes Weatherstrips for the top of the windshield frame and on the left and right sides of the tub. A sleeve to cut holes in the Weatherstrips for access to bolt holes is also included.	5454184K
11	Door Glass Seal	1976-86	CJ-5, 7, 8	L or R, w/ Full Steel Doors	J5457057
12	Door Channel	1976-86	CJ-5, 7, 8	Right, w/ Soft Doors, Attaches to Side of Windshield Frame	J5458874
		1976-86	CJ-5, 7, 8	Left, w/ Soft Doors, Attaches to Side of Windshield Frame	J5458875
13	Liftgate Weatherstrip	1981-86	CJ-7	w/ Hard Top	J5454184
14	Window Weatherstrip Clip	1968-86	CJ-5, 6, 7, 8	Clips for Door Weatherstrip	J4001916





Item #	Description	Years	Models	Comments	Replaces Part #
1	Beach Topper	1952-75 1976-83 1976-86	M38-A1, CJ-5 CJ-5 CJ-7	Black Black Black	BT10001 BT10101 BT10201
2	Complete Top	1976-86	CJ-7	w/ Full Steel Doors; Black Diamond w/ Tinted Windows; Includes Top, Frame, and Hardware	CT20035T
3	Windbreaker	1976-86 1976-86 1976-86	CJ-5, 7, 8 CJ-7, 8 CJ-7, 8	Black Denim Black Diamond Spice	WB10015 WB10035 WB10037
4	Window Storage Bag	1976-86	CJ-7, 8	Protects windows while zipped out of soft top	SB40002
5	Windshield Channel	1976-86	CJ-5, 7, 8	L or R; Drill-In Windshield Channel; Includes (12) 51209SCR Screws	RT26064

## Interior Accessories for CJ

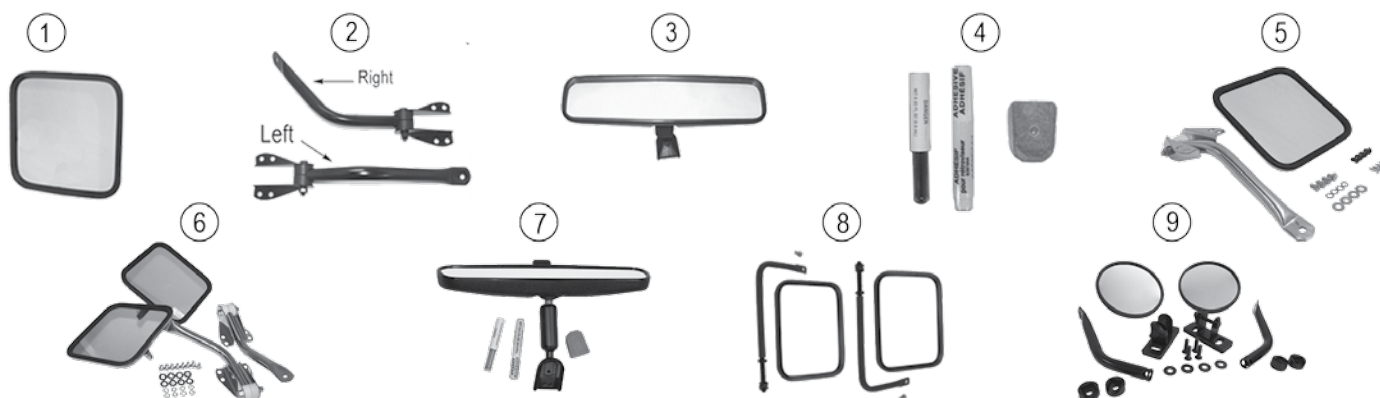
















Item #	Description	Years	Models	Comments	Replaces Part #
1	Accelerator Pedal Pad	1971-86	CJ-5, 7, 8		53003932AB
2	Dash Control Knob Set	1976-86	CJ-5, 7, 8	Set of 6 Billet Aluminum Dash Control Knobs	RT27001
3	Dash Control Knob Set	1976-86	CJ-5, 7, 8	Set of 6 Black Dash Control Knobs	RT27002
4	Dash Grab Bar	1955-86	CJ-5, 6, 7, 8	Stainless, 8" Wide	RT34026
5	Dash Overlay	1976-86	CJ-5, 7, 8	Stainless w/ Radio Opening	RT34027
6	Dash Overlay	1976-86	CJ-5, 7, 8	Black w/o Radio Hole	5457117NR
7	Dash Overlay	1976-86	CJ-5, 7, 8	Black w/ Radio Opening	J5457117
8	Door Grab Handle	1976-86	CJ-7, 8	L or R; Incl. 2 Black Nylon Handles w/ Rubber Grips and Hardware	RT27004
9	Door Grab Handle	1976-86 1976-86	CJ-5, 7, 8 CJ-5, 7, 8	L or R; Black (Cinder); Includes One Handle w/ Screws and Covers L or R; Spice, Includes One Handle w/ Screws and Covers	55009801K 55009801KS
10	Door Stop Strap	1976-86	CJ-5, 7, 8	L or R	J5459207



Item #	Description	Years	Models	Comments	Replaces Part #
11	Entry Guard Set	1955-83 1976-86 1976-86	CJ-5 CJ-7 CJ-7	L and R; Stainless Steel L and R; Stainless Steel L and R; Black	RT34028 RT34010 RT26004
12	Floor Pan Plug	1955-86	CJ-5, 6, 7, 8	1" Diameter	J4000334
13	Glove Box Compartment	1972-86	CJ-5, 6, 7, 8	Plastic	J5752279
14	Horn Button	1976-86	CJ-5, 7, 8		3238073
15	Interior Door Handle	1982-86 1982-86	CJ-7, 8 CJ-7, 8	Right Left	55176476AB 55176477AB
16	Interior Floor Duct	1947-86	CJ-5, 6, 7, 8		55035618
17	Liftgate Linkage	1976-86	CJ-7	w/ Hard Top	J8128163
18	Locking Center Console	1976-86 1976-86 1976-86	CJ-5, 7, 8 CJ-5, 7, 8 CJ-5, 7, 8	Black Denim Gray Spice	RT27009 RT27008 RT27010
19	Deluxe Locking Center Console	1976-86	CJ-5, 7, 8	Black Denim Deluxe Dual Locking	RT27047
20	Pedal Pad	1957-86	CJ-3B, 5, 6, 7, 8	w/ Manual Transmission; Clutch or Brake Pedal Pad	J5363508
21	Seat Belt	1976-86 1976-86 1982-86	CJ-5, 7, 8 CJ-5, 7, 8 CJ-5, 7, 8	2 Point Non-Retractable Rear Seat Belt; Black, 60" Back Seat Belt 2 Point Retractable Front Seat Belt 3 Point Retractable Front Seal Belt w/ Shoulder Strap; Black	BELT1B BELT2B BELT3B
22	Sun Visor Set	1972-86 1972-86 1972-86	CJ-5, 6, 7, 8 CJ-5, 6, 7, 8 CJ-5, 6, 7, 8	Includes 2 Sun Visors; Black Includes 2 Sun Visors; Gray Includes 2 Sun Visors; Spice	RT54001 RT54002 RT54003
23	Window Handle	1976-86 1976-86	CJ-5, 7, 8 CJ-7, 8	L or R, w/ Door Speakers L or R, Chrome Handle w/ Black Knob; w/o Door Speakers	J3726992 J3678907
24	Window Regulator Kit	1976-86 1976-86	CJ-7, 8 CJ-7, 8	Right; w/ Full Steel Doors; Includes Window Regulator, Black Plastic Handle, and Screw Left; w/ Full Steel Doors; Includes Window Regulator, Black Plastic Handle, and Screw	55074990K 55074991K
25	Windshield Knobs	1976-86	CJ-5, 7, 8	Chrome Interior Windshield Knobs (Set of 2)	RT26028
26	Interior Windshield Brackets	1976-86 1976-86	CJ-5, 7, 8 CJ-5, 7, 8	Stainless; Includes 2 Brackets and Hardware Black Powder Coated Stainless; Includes 2 Brackets and Hardware	RT34016 RT27014

CJ-5, CJ-6, CJ-7, CJ-8



Item #	Description	Years	Position	Comments	Replaces Part #
1	Side Mirror Only	1955-86 All	L or R	Black	J5462736
		1955-86 All	L or R	Stainless	RT30017 
2	Arm, Mirror Support	1955-86 All	Left	Black	J5455301
		1955-86 All	Right	Black	J5455302
		1955-86 All	Left	Chrome	J5751194
		1955-86 All	Right	Chrome	J5751195
		1955-86 All	Left	Stainless	RT30018 
		1955-86 All	Right	Stainless	RT30019 
3	Rearview Mirror	1955-86 All		9.75" Wide	J8993023
		1955-86 All		8.5" Wide	J5965338
4	Support Kit, Rearview Mirror	1955-86 All		Includes Adhesive and Mount	J3657374
5	Side Mirror and Arm Kit	1955-86 All	Left	Black	5455301K
		1955-86 All	Right	Black	5455302K
		1955-86 All	Left	Stainless	RT30007 
		1955-86 All	Right	Stainless	RT30009 
		1955-86 All	Left	Chrome	RT30006 
		1955-86 All	Right	Chrome	RT30007 
6	Side Mirror, Complete Set	1955-86 All	L & R	Stainless, Mounts to Front Lower Windshield Hinge	RT30003 
		1955-86 All	L & R	Black, Mounts to Front Lower Windshield Hinge	5462736K
		1976-86 CJ-5, 7, 8	L & R	Stainless, Mounts to Side Windshield Hinge	RT30001 
		1976-86 CJ-5, 7, 8	L & R	Black, Mounts to Side Windshield Hinge	RT30002 
7	Rearview Mirror and Mount Kit	1955-86 All		Incl. Mirror, Mount and Adhesive, 9.75" Mirror	8993023K
		1955-86 All		Incl. Mirror, Mount and Adhesive, 8.5" Mirror	5965338K
8	Trail Mirror w/ Arm Trail Mirror Set	1976-86 CJ-5, 7, 8	L or R, Includes Hardware, Mounts Directly to Door Hinge for use with Doors Off		RT30004 
		1976-76 CJ-5, 7, 8	L & R, Includes Hardware, Mounts Directly to Door Hinge for use with Doors Off		RT30005 
9	Quick Release Mirror Set	1976-86 CJ-7, 8	Round; L & R; Mounts to the Side of the Upper Windshield Hinge		RT30020 
		1976-86 CJ-7, 8	Square; L & R; Mounts to the Side of the Upper Windshield Hinge		RT30021 

## Miscellaneous Vintage Vehicles



Item #	Description	Years	Models	Comments	Replaces Part #
1	Accelerator Pedal Pad	1971-91	SJ, J-Series		53003932AB
2	Pedal Pad, Clutch or Brake	1957-64	FC-170	w/ 6-226 Engine; w/ Manual Transmission	J5363508
2	Pedal Pad, Clutch or Brake	1963-91	SJ, J-Series	w/ Manual Transmission	J5363508
3	Body Mount Bushing	1946-64 1948-63 1962-73	Station Wagon Sedan Delivery SJ, J-Series	7/8" Thick 7/8" Thick 7/8" Thick	J0953453 J0953453 J0953453
4	Body Mount Bushing	1946-53 1947-65 1948-50	Station Wagon Pickup VJ Jeepster	5/8" Thick, 14 Required 5/8" Thick, 4 Required 5/8" Thick, 14 Required	J0965888 J0965888 J0965888
5	Body Mount Bushing	1976-91	SJ, J-Series	Lower, J-Series Requires 4; SJ Requires 8	J5459515
6	Grille	1979-80	SJ, J-Series		J5465070
7	Power Window Flex Rack	1982-90 1982-90	SJ, J-Series SJ, J-Series	F or R, Right, Includes Metal Plate and Stud F or R, Left, Includes Metal Plate and Stud	J8134246 J8134773
8	Rearview Mirror	1975-91	SJ, J-Series	9.75" Wide; Includes Set Screw	J8993023
9	Rearview Mirror Kit	1975-91	SJ, J-Series	Includes 9.75" Wide Mirror, Button and Adhesive	8993023K
10	Rearview Mirror Mount Kit	1975-91	SJ, J-Series	Contains Mirror Button and Adhesive	J3657374
11	Retainer	1981-91	SJ	F or R Door and Tailgate Window Regulator Retainer	J0980363
12	Tailgate Latch Handle Return Spring	1981-88	J-Series	w/ Townside Package	J3631218
13	Tailgate Window Guide Channel	1981-91	SJ		J5465084
14	Tailgate Glass Weatherstrip	1979-91 1975-79	SJ SJ, J-Series	Lower Rear; w/ 15/64" Glass	J5469605 J5455398
15	Tailgate Window Regulator	1981-91	SJ		J0974016
16	Torx Screw	1981-91	SJ	Black	J4003794B
17	Window Handle	1981-90	SJ, J-Series	L or R, Chrome w/ Black Knob; w/o Door Speaker	J3678907
18	Wiper Switch Knob	1981-86	SJ, J-Series	Heater or Windshield Wiper Switch Knob	5459189AL



Item #	Description	Comments	Part #
1	Clinometer	Roll and Pitch Gauge w/ CJ Graphics, Fits Any Vehicle	RT27003
2	D-Ring	Galvanized Steel 3/4" D-Ring, Working Load Limit: 9,600 lbs. Stainless Steel 3/4" D-Ring, Working Load Limit: 9,600 lbs. Stainless Steel 3/4" (2) D-Rings (2) Rubber Spacers; Working Load Limit: 9,600 lbs. Stainless Steel 5/8" D-Ring; Working Load Limit: 6,500 lbs.	RT33001 RT33002 RT33003 RT33004
3	D-Ring Set	Includes (2) 3/4" D-Rings; Working Load Limit: 9,600 lbs. Includes (2) 3/4" D-Rings and (2) Rubber Spacers; Working Load Limit: 9,600 lbs.	RT33005 RT33006
4	Receiver Kit	Includes (1) Receiver and (1) 3/4" D-Ring; Working Load Limit 9,600 Lbs. Includes (1) Receiver and (2) 3/4" D-Rings; Working Load Limit 9,600 Lbs. Includes (1) Receiver and (3) 3/4" D-Rings; Working Load Limit 9,600 Lbs.	RT33009 RT33010 RT33011
5	D-Ring Spacer	Sold individually for D-Rings; For Anti-Rattle Purposes	RT33007
6	Drink Holder Set	Insulated; Works w/ 3" Roll Bar, Includes 2 Drink Holders	RT27044
7	Flashlight Holder	Works w/ 3" Roll Bars, Designed to Hold D-Cell Flashlights	RT27043
8	Grab Handle Set	Set of 2 Deluxe Grab Handles	RT27048
9	Fire Extinguisher Holder	Works w/ 3" Roll Bars, Holds a 3 lb. Extinguisher (Not Included)	RT27005
10	Jerry Can	Red; 5.4 Gallons Olive Drab; 5.4 Gallons	RT26010 RT26009
11	Jerry Can Cap	Replacement Cap	RT26011
12	Jerry Can Mount	Universal	RT26012
13	Jerry Can Spout	Replacement Spout	RT26013
14	Water Can	Blue; 5-Gallon; Has a Food-Grade Polyurethane Lining	RT26020
15	LED Utility Light	Attaches to Roll Bar	RT28007
16	License Plate Bracket	Flat Black; For vehicles with winch w/ roller fairlead; For use in states where a front license plate is required; Easily snaps on and off of the rollers for quick access to the winch	RT26075
17	Vehicle Recovery Kit	Includes Items 3, 18, 19, 20, 21 and 22	RT33013
18	Recovery Gloves	Leather-palmed recovery gloves; One size fits most	RT33020
19	Recovery Strap	2" x 30' 20K lb.; Leather-wrapped ends for a long life	RT33018
20	Snatch Block Kit	Includes 15K lb. Greasable Snatch Block and a Winch Line Damper	RT33017
21	Tree Saver Strap	3" x 6' 30K lb.	RT33019
22	Storage Bag	Black Canvas/Nylon; Universal	RT33022
23	Tri-Fold Shovel	Black Powder Coat Finish; Serrated Edge on One Side for Cutting; Includes Case	RT33016
24	Trail Can Tool Box	All Metal Lockable Tool/Storage Can with 2 Keys; Dimensions of 5 18" x 13" x 6"	RT26019

**Starting, Charging and Related** . . . . . 6-2  
Includes Alternators, Generator Components, Starters, etc.

**Ignition and Related** . . . . . 6-4  
Includes Distributors, Ignition Components,  
Wire Sets, Condensers, Spark Plugs, etc.

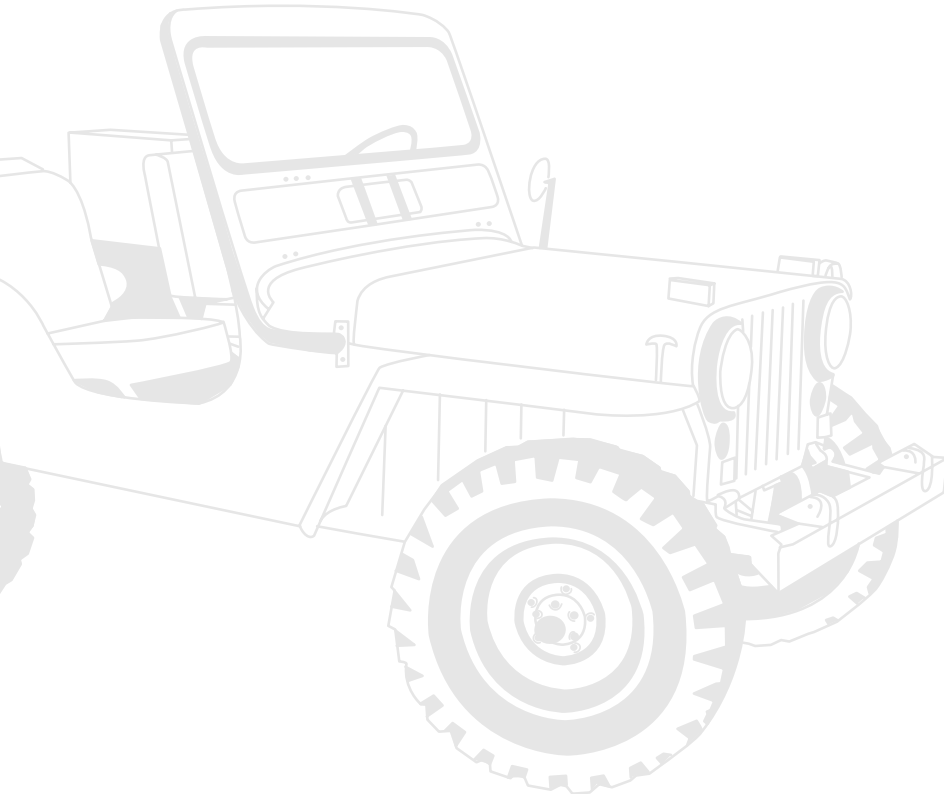
**Drivetrain and Related** . . . . . 6-7  
Includes Sensors, Switches, Sending Units

**Dash and Related** . . . . . 6-8  
Includes Dash Lights, Gauges, Knobs, Speedometer Cables,  
Turn Signal Levers, Horns, etc.

**Lighting and Related** . . . . . 6-10  
For All CJs, FC-150, FC-170, Commandos,  
Willys Pickup, Sedan and Delivery

**Lighting and Related** . . . . . 6-12  
SJ, J-Series

**Lighting** . . . . . 6-13  
Universal







Item #	Description	Years	Models	Engines	Comments	Replaces Part #
1	Alternator	1975-81 1975-86 1975-91 1980-83 1983-86	CJ-5, 6, 7, 8 CJ-5, 7, 8, SJ, J-Series SJ, J-Series CJ-5, 7, 8 CJ-5, 7, 8	5.0L (V8-304) 4.2L (6-258) 5.9L (V8-360) GM 2.5L (4-151) AMC 2.5L (4-150)	Delco Type; 106 amp; Replaces 56, 63, 77, 70, 78, 85 amp Alternators	J8134663 J8134663 J8134663 J8134663 J8134663
2	Alternator Bearing	1981-86 1981-86	CJ-5, 6, 7, 8 SJ, J-Series	All All	w/ 42, 56, 63, 78 Amp Alternators Tagged 1105081, 082, 083, 084, 079, 080	J8134644 J8134644
3	Generator Pulley	1948-71 1946-65	CJ-3A, 3B, 5, 6 Pickup, Station Wagon, Sedan Delivery	All All	Only Fits the Following Generators: GDZ-6001, GGA- 6001, GGW-4801D, GG-W4801S, GJC-7002S, GJE-7001E, GJP- 7204S, GJP-7402B, GJP-9402	118432
4	Generator Support Bolt	1941-71	All Except M38 and M38-A1	2.2L (4-134) L or F-Head		A1397
5	Generator Support Bushing	1941-71	All Except M38 and M38-A1	2.2L (4-134) L or F-Head	Set of 2	JA001395
6	Starter	1972-87 1983-86	CJ-5, 7, 8, SJ, J-Series CJ-5, 7, 8	4.2L (6-258), 5.0L (V8-304), 5.9L (V8-360) AMC 2.5L (4-150)		J5752791 J3242283
7	Starter Armature Bushing	1953-71	CJ-3B, 5, 6	All	Bronze; w/ Autolite 6V Starter	119833
8	Starter Armature	1972-87	CJ-5, 6, 7, 8, SJ, J-Series	4.2L (6-258), 5.0L (V8-304), 5.9L (V8-360)		J8120028
9	Starter Brush Holder	1972-87	CJ-5, 6, 7, 8, SJ, J-Series	4.2L (6-258), 5.0L (V8-304), 5.9L (V8-360)	Starter Brush Holder	J8128433
10	Starter Brush Set	1972-87	CJ-5, 6, 7, 8, SJ, J-Series	4.2L (6-258), 5.0L (V8-304), 5.9L (V8-360)	Starter Brush Kit	J8128434
11	Starter Bushing	1972-87	CJ-5, 6, 7, 8, SJ, J-Series	4.2L (6-258), 5.0L (V8-304), 5.9L (V8-360)	Starter Bushing; In End of Drive Housing	J8120030



Item #	Description	Years	Models	Engines	Comments	Replaces Part #
12	Starter Coil	1966-71	CJ-5, 6, SJ, J-Series	3.8L (6-232), 4.2L (6-258)		J8120997
		1972-86	CJ-5, 6, 7, 8, SJ, J-Series	4.2L (6-258), 5.0L (V8-304), 5.9L (V8-360)		J8128438
13	Starter Drive	1941-49	MB, CJ-2A	All	w/ Autolite MZ-4113 Starter; 10 Teeth	A17702
		1953-71	CJ-3B, 5, 6, FC-170, C101 Commando, Pickup, Sedan Delivery, Station Wagon	All	w/ Starters: MDU-7003, MDU-7003A, MDU-7004	931463
		1957-71	CJ-3B, 5, 6, FC-150, Pickup, Sedan Delivery, Station Wagon	All	w/ Starters: MCH-6203, MCH-6207, MCH-6215, MDM-6005, MDM-6006; 9 Teeth	119597
		1965-70	SJ, J-Series	3.8L (6-232), 5.4L (V8-327)		J0938918
		1972-87	CJ-5, 6, 7, 8, SJ, J-Series	4.2L (6-258), 5.0L (V8-304), 5.9L (V8-360)		J8120193
14	Starter Drive Housing	1972-87	CJ-5, 6, 7, 8, SJ, J-Series	4.2L (6-258), 5.0L (V8-304), 5.9L (V8-360)	w/ Tag #5752791	J8133036
15	Starter Solenoid	1953-71	CJ-3B, 5, 6, FC-150, C101 Commando	2.2L (4-134) F-Head	12-Volts	J0919294
		1980-83	CJ-5, 7, 8	GM 2.5L (4-151)		J8130938
		1981-86	CJ-5, 7, 8	4.2L (6-258)	w/ Automatic Transmission	J5752125
		1971-86	CJ-5, 7, 8, SJ, J-Series	3.8L (6-232), 4.2L (6-258)	w/ Manual Transmission	J3235898
		1971-86	SJ, J-Series	5.9L (V8-360), 6.6L (V8-401)	w/ Manual Transmission	J3235898
		1981-91	SJ, J-Series	All	w/ Automatic Transmission	J5752125
16	Starter Switch	1941-56	MB, CJ-2A, 3A, 3B, 5, 6	All	Floor-Mounted	A7225
17	Voltage Regulator	1945-56	All Except M38 and M38-A1	All	6-Volt; External	J0923131
		1957-66	All Except M38 and M38-A1	All	12-Volt; External	J0923130
		1980-81	CJ-5, 7, 8	5.0L (V8-304)	Internal	J8125176
		1980-83	CJ-5, 7, 8	GM 2.5L (4-151)	Internal	J8125176
		1983-86	CJ-5, 7, 8	AMC 2.5L (4-150)	Internal	J8125176
		1980-86	CJ-5, 7, 8, SJ, J-Series	4.2L (6-258)	Internal	J8125176
		1980-91	SJ, J-Series	5.9L (V8-360)	Internal	J8125176

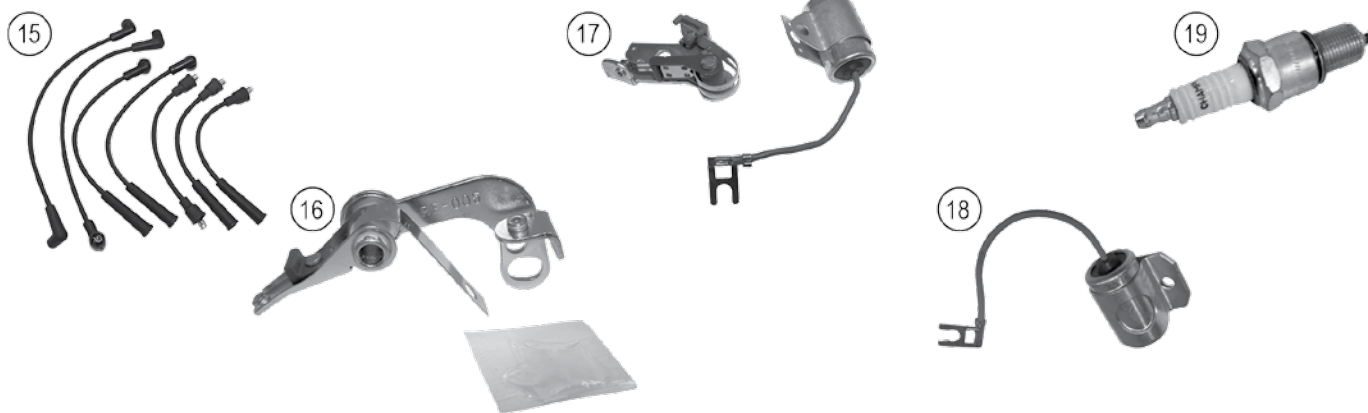


Item #	Description	Years	Models	Engines	Comments	Replaces Part #
1	Distributor	1941-71	All Except M38 and M38-A1	2.2L (4-134) L or F-Head	Prestolite Type, Replacement Rotor: 923392	923068
		1941-71	MB, CJ-2A, 3A, 3B, 5, 6, C101	2.2L (4-134) L or F-Head	Electronic Pickup, Must Be 12 Volt System	923068E
		1978-86	CJ-5, 7, 8, SJ, J-Series	4.2L (6-258)	Motorcraft Type, Does Not include Cap or Rotor	83506286
2	Distributor Cap	1945-71	CJ-2A, 3A, 3B, 5, 6	2.2L (4-134) L or F-Head	Prestolite Type, w/ Distributor Tag #: IAD-4041; Spring-Loaded Carbon Button	JA009307
		1953-71	CJ-3A, 3B, 5, 6, C101 Commando, FC-150, Pickup	2.2L (4-134) F-Head	Prestolite Type, w/ Distributor Tag #: IAT-4401, IAY-4012, IAY-4401A, IAY-4401B, IAT-4204A, IAT-4405	J0118343
		1954-64	FC-170, Pickup	3.7L (6-226)	Prestolite Type, w/ Distributor Tag #: IAT-4206, IAT-4206B, IAT-4404, IAT-4404A	J0931674
		1962-65	SJ, J-Series	3.8L (6-230)	Prestolite Type	J0931674
		1962-65	SJ, J-Series, Pickup	3.8L (6-230)	Prestolite Type, w/ Distributor Tag #: IAT-4411, IAT-4416	J0931674
		1965-67	SJ, J-Series	5.4L (V8-327)	Delco Type	J3200192
		1965-79	SJ, J-Series	3.8L (6-232)	Delco Type	J4488091
		1968-70	SJ, J-Series	5.7L (V8-350)	Delco Type	J3200192
		1970-74	SJ, J-Series	5.9L (V8-360), 6.6L (V8-401)	Delco Type	J3200192
		1971-74	CJ-5, 6, C101 Commando	5.0L (V8-304)	Delco Type	J3200192
		1971-74	CJ-5, 6, C101 Commando, SJ, J-Series	4.2L (6-258)	Delco Type	J4488091
		1975-77	CJ-5, 6, 7, SJ, J-Series	4.2L (6-258)	Motorcraft Type	J8126711
		1975-77	CJ-5, 6, 7, SJ, J-Series	5.0L (V8-304), 5.9L (V8-360), 6.6L (V8-401)	Prestolite Type	J8125448
		1978-86	CJ-5, 7, 8, SJ, J-Series	4.2L (6-258)	Motorcraft Type	J3230457
		1978-91	CJ-5, 7, 8, SJ, J-Series	5.0L (V8-304), 5.9L (V8-360), 6.6L (V8-401)	Motorcraft Type	J3230757
		1983-86	CJ-5, 7, 8	AMC 2.5L (4-150)	Motorcraft Type	J3234451
3	Distributor Gear	1971-91	CJ-5, 6, 7, 8, SJ, J-Series	5.0L (V8-304), 5.9L (V8-360), 6.6L (V8-401)		J3208615
		1978-86	CJ-5, 7, 8, SJ, J-Series	4.2L (6-258)		J8133652
		1983-86	CJ-5, 7, 8	AMC 2.5L (4-150)		J8133652
4	Distributor Rotor	1941-45	MB	2.2L (4-134) L-Head	Prestolite Type	A5294
		1945-71	CJ-2A, 3A, 3B, 5, 6	2.2L (4-134) L or F-Head	Prestolite Type, w/ Distributor Tag #: IAD-4041	JA001658
		1950-64	FC-150, Pickup	2.2L (4-134) L or F-Head	Prestolite Type, w/ Distributor Tag #: IAT-4401	J0923392
		1954-64	FC-170, Pickup	3.7L (6-226)	Prestolite Type	J0120125
		1960-71	CJ-3B, 5, 6, C101 Commando	2.2L (4-134) L or F-Head	Prestolite Type, w/ Distributor Tag #: IAT-4401	J0923392
		1962-65	Pickup, SJ, J-Series	3.8L (6-230)	Prestolite Type	J0120125
		1965-67	SJ, J-Series	5.4L (V8-327)	Delco Type	J8122343
		1965-74	CJ-5, 6, SJ, J-Series, C104 Commando	3.8L (6-232), 4.2L (6-258)	Delco Type	J4488087
		1968-71	SJ, J-Series	5.7L (V8-350)	Delco Type	J8122343
		1970-74	SJ, J-Series	5.9L (V8-360), 6.6L (V8-401)	Delco Type	J8122343
		1971-74	CJ-5, 6, C104 Commando	5.0L (V8-304)	Delco Type	J8122343
		1975-77	CJ-5, 6, 7	5.0L (V8-304)	Motorcraft Type	J8126321
		1975-77	CJ-5, 6, 7, SJ, J-Series	3.8L (6-232), 4.2L (6-258)	Motorcraft Type	J8136633
		1975-77	SJ, J-Series	5.9L (V8-360), 6.6L (V8-401)	Prestolite Type	J8126321
		1978-81	CJ-5, 7, 8	5.0L (V8-304)	Motorcraft Type	J3230765
		1978-86	CJ-5, 7, 8, SJ, J-Series	4.2L (6-258)	Motorcraft Type	J3230821
		1978-91	SJ, J-Series	5.9L (V8-360), 6.6L (V8-401)	Motorcraft Type	J3230765
		1983-86	CJ-5, 7, 8	AMC 2.5L (4-150)	Motorcraft Type	33004795

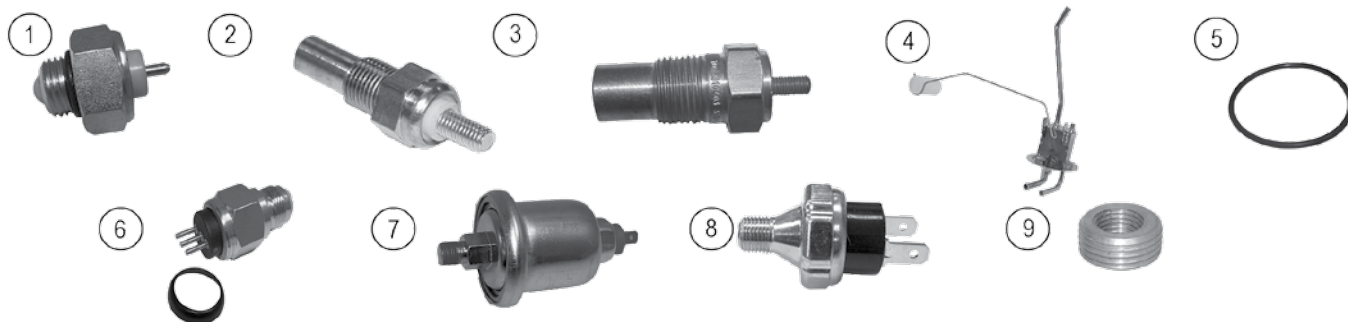


Item #	Description	Years	Models	Engines	Comments	Replaces Part #
5	Distributor Gear Pin	1971-81	CJ-5, 6, 7, 8	5.0L (V8-304)		J8128462
		1978-76	CJ-5, 7, 8	4.2L (6-258)		J8128462
		1983-86	CJ5-, 7, 8	AMC 2.5L (4-150)		J8128462
6	Distributor Pickup	1983-86	CJ-5, 7, 8	AMC 2.5L (4-150)		83500409
7	Distributor Sensor Assembly	1977-86	CJ-5, 7, 8, SJ, J-Series	4.2L (6-258)		J8128445
		1981-91	SJ, J-Series	5.9L (V8-360)		J8128900
8	Distributor Vacuum Control	1973-74	CJ-5, 6, SJ, J-Series, C104 Commando	3.8L (6-232), 4.2L (6-258)		J8122350
9	Ignition Coil	1941-58	MB, CJ-2A, 3A, 3B, 5, 6, FC-150, FC-170, Pickup, VJ Jeepster, Sedan Delivery, Station Wagon	All	w/ 6-Volt Electrical System	J0649712
		1957-71	CJ-3B, 5, 6, C101 Commando, Pickup	2.2L (4-134)	w/ 12-Volt Electrical System	J8125028
		1966-77	CJ-5, 6, 7, SJ, J-Series, C104 Commando	3.8L (6-232), 4.2L (6-258)		J8125028
		1971-77	CJ-5, 6, 7, SJ, J-Series, C104 Commando	5.0L (V8-304), 5.9L (V8-360), 6.6L (V8-401)		J8125028
		1978-86	CJ-5, 7, 8, SJ, J-Series	3.8L (6-232), 4.2L (6-258)		33004522
		1978-91	CJ-5, 7, 8, SJ, J-Series	5.0L (V8-304), 5.9L (V8-360), 6.6L (V8-401)		33004522
		1983-86	CJ-5, 7, 8	AMC 2.5L (4-150)		33004522
10	Ignition Module	1975-77	CJ-5, 6, 7	3.8L (6-232), 4.2L (6-258), 5.0L (V8-304)	Prestolite Type	J3224964
		1978-86	CJ-5, 7, 8, SJ, J-Series	4.2L (6-258)	Motorcraft Type	33004065
		1978-87	SJ, J-Series	5.9L (V8-360)	Motorcraft Type	33004065
		1983-86	CJ-5, 7, 8	AMC 2.5L (4-150)	Motorcraft Type	33004065
		1988-91	SJ, J-Series	5.9L (V8-360)	Motorcraft Type	53005079
11	Ignition Coil Ballast Resistor	1962-65	SJ, J-Series, Pickup	3.8L (6-230)		J8121789
		1966-73	CJ-5, 6, C101 Commando, C104 Commando	3.7L (V6-225)		J8121789
12	Ignition Cylinder	1976-84	CJ-5, 7, 8	All	Uncoded	J8120081
		1981-84	SJ, J-Series	All	Uncoded	J8120081
13	Ignition Switch, Cylinder Type	1946-64	FC-150, FC-170, Pickup, Sedan Delivery, Station Wagon	All	Includes 2 keys	J0924918
		1953-66	CJ-3B, 5, 6	All	w/ Threaded Studs; Includes 2 Keys	J0924918
		1962-72	SJ, J-Series	All	Dash Mounted w/ 10 Spade Terminals; Includes 2 Keys	J5454951
		1965-74	CJ-5, 6	All	w/ 11 Spade Terminals; Includes 2 Keys	J0947399
		1974-75	CJ-5, 6	All	Dash Mounted w/ 10 Spade Terminals; Includes 2 Keys	J5454951
14	Ignition Switch, Inside Column	1974-86	CJ-5, 7, 8	All	w/ Tilt Wheel	J3250575
		1976-86	CJ-5, 7, 8	All	w/o Tilt Wheel	J8128889
		1977-86	SJ, J-Series	All	w/o Tilt Wheel	J8128889
		1977-91	SJ, J-Series	All	w/ Tilt Wheel	J3250575

Continued on Next Page



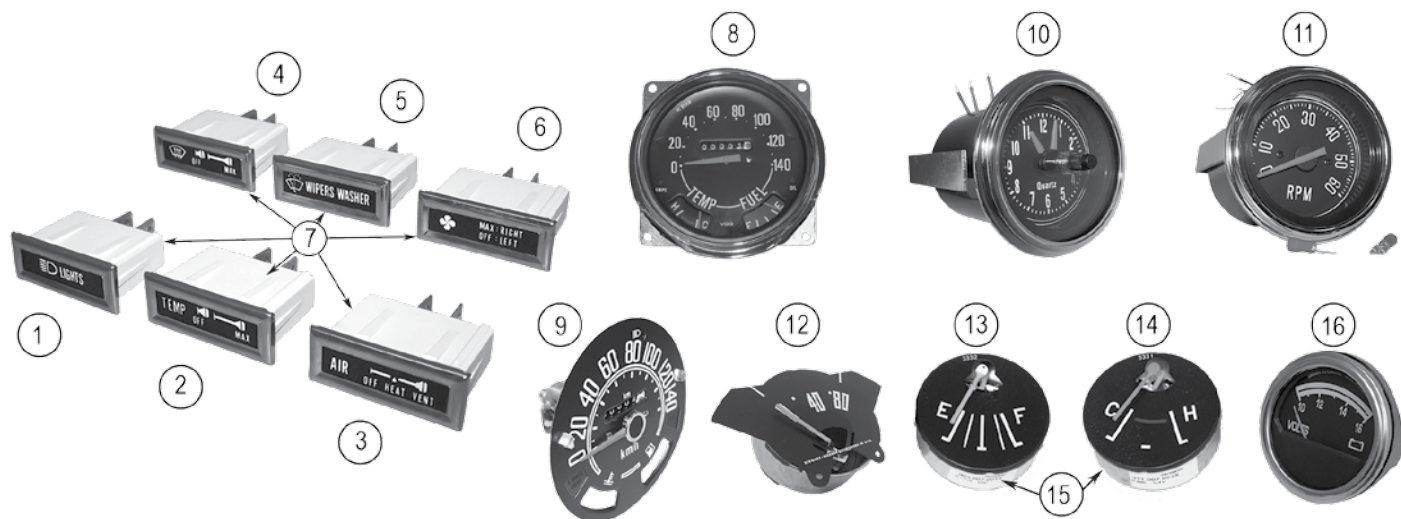
Item #	Description	Years	Models	Engines	Comments	Replaces Part #
15	Ignition Wire Set	1950-71	CJ-3B, 5, 6, FC-150, C101 Commando, VJ Jeepster, Pickup, Station Wagon	2.2L (F4-134)		J0930456
		1966-86	All	3.8L (6-232), 4.2L (6-258)		83300088
		1971-91	CJ-5, 6, 7, 8, C104 Commando, SJ, J-Series	5.0L (V8-304), 5.9L (V8-360), 6.6L (V8-401)		83300090
		1983-86	CJ-5, 7, 8	AMC 2.5L (4-150)	Includes 4 Spark Plug Wires and 1 Coil Wire	83502400K
		1983-86	CJ-5, 7, 8	AMC 2.5L (4-150)		83502400
16	Point Set	1941-71	All Except M38 and M38-A1	2.2L (4-134) L or F-Head	Prestolite Type, w/ Distributor Tag #: IAD-4041, IAT-4401, IAY-4012, IAT-4401A, IAY-4401B	J0923146
		1954-62	Pickup	3.7L (6-226)	Prestolite Type, w/ Distributor Tag #: IAT-4206, IAT-4206B	J0923146
		1954-62	Pickup	3.7L (6-226)	Prestolite Type, w/ Distributor Tag #: IAT-4404, IAT-4404A	J3209294
		1956-64	FC-150, Pickup	2.2L (4-134) F-Head	Prestolite Type, w/ Distributor Tag #: IAT-4405	J3209294
		1963-65	SJ	3.8L (6-230)	Prestolite Type, w/ Distributor Tag #: , IAT-4411, IAT-4416	J3209294
		1965-67	SJ, J-Series	5.4L (V8-327)	Delco Type	J3200197
		1965-74	CJ-5, 6, SJ, J-Series	3.8L (6-232)	Delco Type	J3204202
		1966-73	CJ-5, 6, C101 Commando, C104 Commando	3.7 (V6-225)	Delco Type	J3200197
		1968-70	SJ, J-Series	5.7L (V8-350)	Delco Type	J3200197
		1970-74	SJ, J-Series	5.9L (V8-360)	Delco Type	J3200197
1971-74	CJ-5, 6, C104 Commando	5.0L (V8-304)	Delco Type	J3200197		
1971-74	CJ-5, 6, SJ, J-Series	4.2L (6-258)	Delco Type	J3204202		
17	Point and Condenser Set	1966-74	CJ-5, 6, SJ, J-Series	3.8L (6-232), 4.2L (6-258)		J4488760
18	Condenser	1941-71	All	2.2L (4-134) L or F-Head		J3204585
		1957-64	FC-170, Pickup, Station Wagon	3.7L (6-226)		J3204585
		1962-65	Pickup, SJ, J-Series, Station Wagon	3.8L (6-230)		J3204585
19	Spark Plug	1941-71	MB, CJ-2A, 3A, 3B, 5, 6	2.2L (4-134) L or F-Head		4339491
		1950-55	Station Wagon	2.6L (6-161)		4339491
		1950-63	M38, M38-A1	2.2L (4-134) L or F-Head	w/ Waterproof Distributor; Stamped 2243	922727
		1954-64	Pickup, FC-170, Station Wagon	3.7L (6-226)		4339491
		1971-77	CJ-5, 6, 7, SJ, J-Series	4.2L (6-258)		J3189066
		1971-81	CJ-5, 6, 7, 8, C104 Commando	5.0L (V8-304)		J3189066
		1971-88	SJ, J-Series	5.9L (V8-360)		J3189066
		1978-80	CJ-5, 6, SJ, J-Series	4.2L (6-258)		4318137
		1981-86	CJ-5, 7, 8, SJ, J-Series	4.2L (6-258)		4318138
		1983-86	CJ-5, 7, 8	AMC 2.5L (4-150)		4318138
1989-91	SJ, J-Series	5.9L (V8-360)		5213693		



Item #	Description	Years	Models	Engines	Comments	Replaces Part #
1	4WD Indicator Switch	1973-79 1980-86	CJ-7, SJ, J-Series CJ-5, 7, 8		w/ Quadra-Trac Transfer Case w/ Dana 300 Transfer Case	J3211322 J3211322
2	Coolant Temperature Sensor	1972-86 1972-85 1986-91	CJ-5, 6, 7, 8 SJ, J-Series SJ, J-Series	AMC 2.5L (4-150), 3.8L (6-232), 4.2L (6-258), 5.0L (V8-304) 4.2L (6-258), 5.9L (V8-360), 6.6L (V8-401) 4.2L (6-258), 5.9L (V8-360)		J3177594 J3177594 53005056
3	Early Fuel Evaporation Switch	1983-86	CJ-5,7,8	AMC 2.5L (4-150) , 4.2L (6-258)	1 Terminal	J3242321
4	Fuel Sending Unit	1945-56 1955-66 1969-86 1962-79 1970-79 1980-85	CJ-2A, 3A, 3B CJ-3B, 5, 6 CJ-5, 6, 7, 8 J-Series SJ SJ		w/ 5-Bolt Sending Unit w/ 6-Bolt Sending Unit w/ Rear-Mounted 15-Gallon Tank	J0640694 J0914850 J5357373 J5357677 J5361468 J5363490
5	Fuel Sending Unit Gasket	1945-56 1955-66 1969-86 1962-79 1980-85	CJ-2A, 3A, 3B CJ-3B, 5, 6 CJ-5, 6, 7, 8 J-Series SJ		w/ 5-Bolt Sending Unit w/ 6-Bolt Sending Unit w/ Rear-Mounted 15-Gallon Tank	648927 635641 J0941521 J0941521 J0941521
6	Neutral Safety Switch	1980-91	CJ-5, 7, 8, SJ, J-Series		w/ A904, A999, A727 Transmissions	3747361
7	Oil Pressure Sending Unit	1957-71 1966-74 1975-79 1976-79 1980-86 1962-65 1974-85 1986-91 1980-86	CJ-3B, 5, 6, FC-150, C101 Commando, Sedan Delivery, Station Wagon CJ-5, 6 CJ-5, 6, 7 CJ-5, 7 CJ-5, 7, 8 Pickup SJ, J-Series SJ, J-Series CJ-5, 7, 8	2.2L (4-134) F-Head 3.8L (6-232), 4.2L (6-258), 5.0L (V8-304) 3.8L (6-232), 4.2L (6-258), 5.0L (V8-304) 3.8L (6-232), 4.2L (6-258), 5.0L (V8-304) AMC 2.5L (4-150), 4.2L (6-258), 5.0L (V8-304) 3.8L (6-230) 4.2L (6-258), 5.9L (V8-360), 6.6L (V8-401) 4.2L (6-258), 5.9L (V8-360) w/ 2.1L Diesel	w/ Indicator Light w/ 80 lb. Gauge w/ Gauge w/ 3 threaded studs w/ Gauge w/ 4 threaded studs w/ Gauge w/ Indicator Light w/ Gauge w/ Gauge	J0938092 J5460643 J3212004 J5460643 J3212004 J0938092 J3212004 53005218 J5751951*
8	Oil Pressure Switch	1986-91 1979-81	CJ-5, 6, 7, 8, SJ, J-Series CJ5, 7, 8, SJ, J-Series		2 Terminals 3 Terminals	J5758695 J3231347
9	Temperature Sensor Adapter	1950-71	CJ-3B, 5		Adapts 1/2" threads to 1/4" threads	801179

\* Not Currently Available



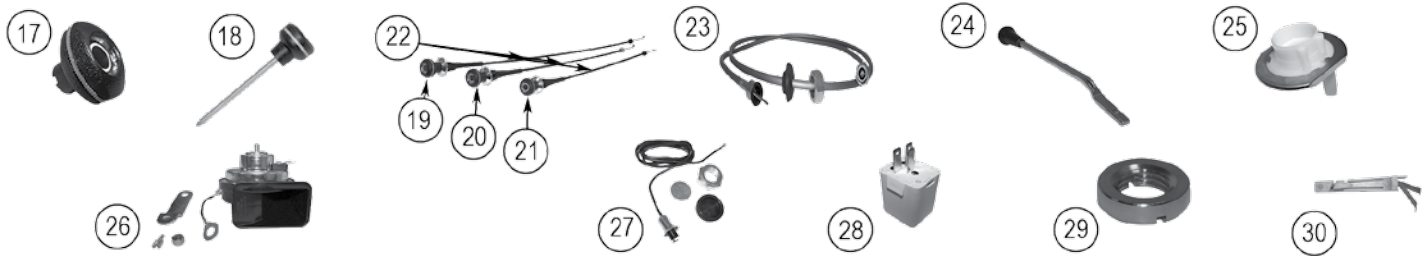


Item #	Description	Years	Models	Comments	Replaces Part #
1	Dash Light, Lights	1976-86	CJ-5, 7, 8		J5752813
2	Dash Light, Temperature	1976-86	CJ-5, 7, 8		J5752816
3	Dash Light, Air	1976-86	CJ-5, 7, 8		J5752815
4	Dash Light, Defrost	1976-86	CJ-5, 7, 8		J5752817
5	Dash Light, Wipers/Washer	1976-86	CJ-5, 7, 8		J5752814
6	Dash Light, Fan	1976-86	CJ-5, 7, 8		J5752818
7	Dash Light Kit	1976-86	CJ-5, 7, 8	Includes #1-6	5752813K
8	Speedometer Assembly	1945-56 1955-79 1955-86 1980-86	CJ-2A, 3A, 3B CJ-5, 6, 7 CJ-3B, 5, 6, 7, 8 CJ-5, 7, 8	Speedometer reads up to 60 MPH Reads up to 90 MPH; Incl. Fuel and Temp. Gauges Reads up to 140 KPH; Incl. Fuel and Temp. Gauges Reads up to 85 MPH; Incl. Fuel and Temp. Gauges	640131 914845 988573* J5761110
9	Speedometer	1982-76	CJ-5, 7, 8	Reads in Kilometers	J8134186
10	Clock	1976-86	CJ-5, 7, 8	3" Diameter	J5761330
11	Tachometer	1976-86	CJ-5, 6, 7, 8	Works with 4, 6, or 8-Cylinder Engines	J5459418
12	Oil Pressure Gauge	1965-72 1977-80 1979-86 1973-75 1976-84	CJ-5, 6 CJ-5, 7 CJ-5, 7, 8 SJ, J-Series SJ, J-Series	w/ 80 lb. Electrical Gauge w/ 4 Threaded Studs on Gauge w/ 3 Threaded Studs on Gauge	J0988577 J5460640 J5750279 J8122473 J8126929
13	Fuel Gauge	1972-86	CJ-5, 7, 8	In Speedometer Cluster	J8126919
14	Temperature Gauge	1955-71 1972-75 1976-86 1976-84	CJ-3B, 5, 6 CJ-5, 6 CJ-5, 7, 8 SJ, J-Series	w/ No Voltage Regulator on Back of Cluster In Speedometer Cluster In Speedometer Cluster	J8124670 J8124670 J8126920 J8126928
15	Temperature and Fuel Gauge Kit	1972-86	CJ-5, 7, 8	Contains Temperature and Fuel Gauge	J8126919K
16	Voltmeter	1976-86	CJ-5, 6, 7, 8		J8126659

\* Not Currently Available

# Dash and Related

# Electrical & Lamps



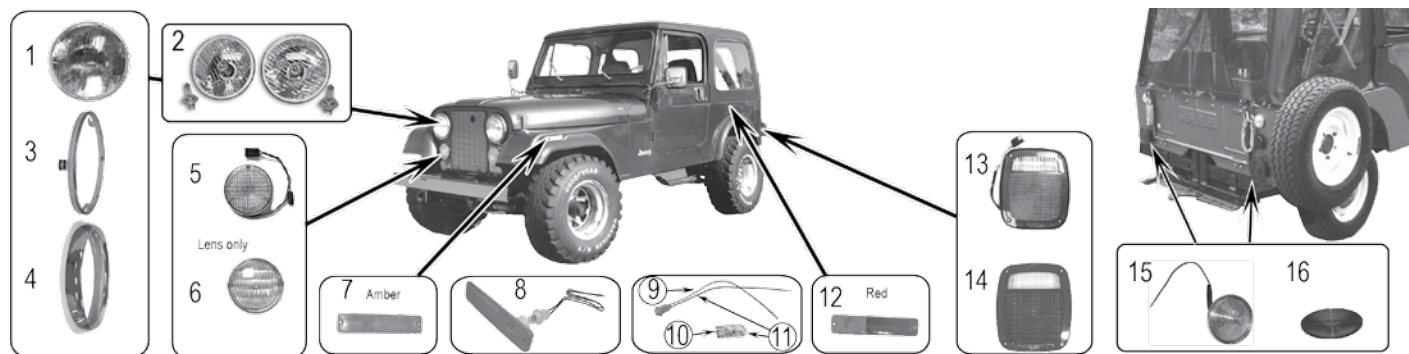
Item #	Description	Years	Models	Comments	Replaces Part #
17	Heater/Wiper Switch Knob	1968-86	CJ-5, 6, 7, 8	OEM Style	J5459189
		1981-86	SJ, J-Series	OEM Style	J5459189
18	Headlight Switch Knob	1973-86	CJ-5, 6, 7, 8	Has Black Knob	J5752810
		1976-85	SJ, J-Series	Has Black Knob	J5752810
		1981-85	SJ, J-Series	Export	J5457882
19	Heater and Defrost Cable	1978-86	CJ-5, 7, 8		J5463655
20	Temperature Control Cable	1976-86	CJ-5, 7, 8		J5463656
21	Fresh Air Cable	1978-86	CJ-5, 7, 8		J5463657
22	Heater Cable Kit	1978-75	CJ-5, 7, 8	Includes #19-21	5463657K
23	Speedometer Cable	1981	SJ, J-Series	w/ 5.9L (V8-360) w/ NP219 Transfer Case w/ Cruise; 72" Long	J5752285
		1941-71	MB, CJ-2A, 3A, 3B, 5, 6, FC-150, FC-170	w/ T84, T90 Transmission; 60" Long	J5351778
		1963-76	CJ-5	w/ 4-Speed Transmission; 67" Long	J5351775
		1976-79	CJ-5, 7	w/ Automatic Transmission; 80" Long	J5351776
		1977-86	CJ-5, 7, 8	w/ Manual Transmission; 69" Long	J5751959
		1980-83	CJ-5, 7, 8	Upper; w/ GM 2.5L (4-151) Engine w/ Cruise; 17-1/2" Long	J5752396
		1980-83	CJ-5, 7, 8	w/ GM 2.5L (4-151) Engine w/o Cruise; 62" Long	J5752395
		1981-86	SJ, J-Series	w/ 4.2L (6-258) Engine w/ Auto. Trans. w/o Cruise; 81.5" Long	J5752282
		1981-90	SJ, J-Series	w/ 5.9L (V8-360) w/ Auto. Trans. w/o Cruise; 81.5" Long	J5752282
		1982-86	SJ, J-Series	w/ 4.2L (6-258) Engine w/ T4 Trans. w/o Cruise; 81.5" Long	J5752282
24	Turn Signal Lever	1976-86	CJ-5, 7, 8	w/o Cruise	J5362173
		1976-86	SJ, J-Series	w/o Cruise	J5362173
25	Turn Signal Cam	1974-91	CJ-5, 6, 7, 8, SJ, J-Series	w/ Tilt	4487816
		1981-90	CJ-5, 7, 8, SJ, J-Series	w/o Tilt	J4487711
26	Horn	1976-86	CJ-5, 7, 8	High Pitch	56002378
		1976-86	CJ-5, 7, 8	Low Pitch	83502833
		1981-91	SJ, J-Series	High Pitch	56002378
		1981-91	SJ, J-Series	Low Pitch	83502833
27	Horn Button Kit	1946-66	CJ-2A, 3A, 3B, 5, 6	1-1/4" Horn	802359K
		1963-71	CJ-3B, 5, 6	2-1/4" Horn	927416K
28	Horn Relay	1975-86	CJ-5, 6, 7, 8		J5456647
		1972-74	CJ-5, 6, C104 Commando, SJ, J-Series		J3242520
		1976-91	SJ, J-Series		J5456647
29	Dashboard Switch Nut	1968-86	CJ-5, 6, 7, 8	Headlamp, Wiper, HVAC Fan	J4000056
		1973-85	SJ, J-Series	Headlamp	J4000056
30	Key Buzzer Switch	1981-86	CJ-5, 6, 7, 8, SJ, J-Series	w/o Tilt; Key Buzzer Switch	J3211423*
		1981-91	CJ-5, 6, 7, 8, SJ, J-Series	w/ Tilt; Switch for Key Warning Buzzer	J3211424

\* Not Currently Available

# Electrical & Lamps

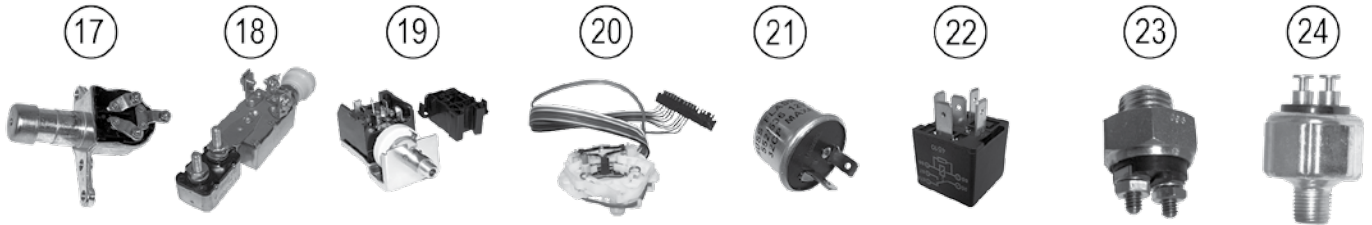
# Lighting and Related

For All CJs, FC-150, FC-170, Commandos and Willys Pickup, Sedan and Delivery

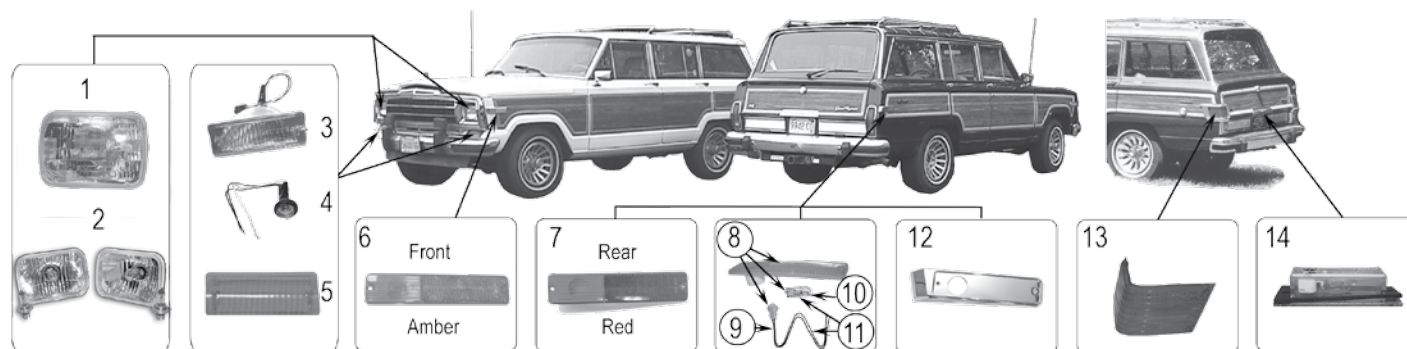


Item #	Description	Years	Models	Comments	Position/Color	Replaces Part #
1	Sealed Beam	1965-86	CJ-5, 6, 7, 8	H6024		LOJH6024
2	Halogen Light Conversion Kit	1969-86	CJ-5, 6, 7, 8	Converts Sealed Beam to Halogen	Left and Right	RT28006
3	Headlight Retaining Ring	1945-86	All	Chrome	Left or Right	J8128749
4	Headlight Bezel	1948-71	CJ-3B, 5, 6, FC-150, FC-170, Pickup, Sedan Delivery, Station Wagon	Chrome	Left or Right	J0649518
	Headlight Bezel Set	1972-86	CJ-5, 6, 7, 8	Chrome	Left or Right	J5460087
		1972-86	CJ-5, 6, 7, 8	Chrome (Set of 2)	Left and Right	5460087K
5	Parking Light	1969-75	CJ-5, 6	Lens Mounted w/ 3 Screws	Left or Right Front	J0989852
		1976-86	CJ-5, 7, 8	Lens Mounted w/ 2 Screws	Left or Right Front	J5752771
6	Parking Light Lens	1969-75	CJ-5, 6	Lens Mounted w/ 3 Screws	Left or Right Front	J0991402
		1976-86	CJ-5, 7, 8	Lens Mounted w/ 2 Screws	Left or Right Front	J8127449
7	Side Marker Light	1972-86	CJ-5, 6, 7, 8	Amber	Left or Right Front	J0994020
		1966-71	C101 Commando	Amber	Left or Right Front	J0994020
8	Side Marker Light Kit	1972-80	CJ-5, 6, 7	Includes #9, 10, 12	Left or Right Rear	994021K
		1972-86	CJ-5, 6, 7, 8	Includes #7, 9, 10	Left or Right Front	994020K
9	Side Marker Light Socket	1972-86	CJ-5, 6, 7, 8		Front or Rear	J5455853
10	Side Marker Bulb	1972-86	CJ-5, 6, 7, 8	194 Bulb	Front or Rear	L0000194
11	Side Marker Socket Kit	1972-91	CJ-5, 6, 7, 8	Includes #9 and 10	Front or Rear	5455853K
12	Side Marker Light	1972-80	CJ-5, 6, 7	Red	Left or Right Rear	J0994021

\* Not Currently Available



Item #	Description	Years	Models	Comments	Position/Color	Replaces Part #
13	Tail Light Assembly	1976-80	CJ-5, 7	w/ License Plate Light Window	Left; Black	J5457197
		1976-80	CJ-5, 7	w/ License Plate Light Window	Left; Chrome	5457197C
		1981-86	CJ-5, 7, 8	w/ Side Marker and License Plate Light	Left; Black	J5758255
		1981-86	CJ-5, 7, 8	w/ Side Marker and License Plate Light	Left; Chrome	5758255C
		1976-80	CJ-5, 7	w/o License Plate Light Window	Right; Black	J5457198
		1976-80	CJ-5, 7	w/o License Plate Light Window	Right; Chrome	5457198C
		1981-86	CJ-5, 7, 8	w/ Side Marker Light	Right; Black	J5758254
		1981-86	CJ-5, 7, 8	w/ Side Marker Light	Right; Chrome	5758254C
		1981-86	CJ-5, 7, 8	Europe, Australia	Left or Right	J5764204
14	Tail Light Lens	1976-86	CJ-5, 7, 8		Left or Right	J8129642
		1981-86	CJ-5, 7, 8	Europe, Australia	Left or Right	83501003
15	Back Up Light	1965-73	CJ-5, 6	w/ Male Bullet Terminal		945659
16	Tail Light Lens	1955-68	CJ-3B, 5, 6	Attaches with Snap Ring	Left or Right	J0912240
17	Headlight Dimmer Switch	1945-71	CJ-2A, 3A, 3B, 5, 6	Mounts to Floor		J0811681
		1974-86	CJ-5, 6, 7, 8	Mounts to Floor		J5461816
18	Headlight Switch	1945-71	CJ-2A, 3A, 3B, 5, 6	Includes Knob and Circuit Breaker		J0946613
		1973-79	CJ-5, 6, 7	Does not Include Knob		J5450558
		1979-86	CJ-5, 7, 8	w/ Switch Stamped "5751098"; Does not Include Knob		J5751098
19	Headlight Switch Kit	1973-79	CJ-5, 6, 7	Does not Include Knob; Includes Connector		5450558K
		1979-86	CJ-5, 7, 8	w/ Switch Stamped "5751098"; Includes Connector		5751098K
20	Turn Signal Switch	1976	CJ-5, 7			J8127756
		1977-86	CJ-5, 7, 8			56002011
21	Flasher Relay	1981-90	CJ-5, 7, 8	Hazard and Turn Signal		J5452266
22	Fog Lamp Relay	1984-86	CJ-5, 6, 7, 8			56002958
23	Backup Light Switch	1966-73	CJ-5, 6, C101 Commando	On Transmission		J8130829
		1976-86	CJ-5, 7, 8	w/ T18 Transmission		J5350061
		1980-86	CJ-5, 7, 8	w/ T176, T177 Transmission		J5751207
		1982-86	CJ-5, 7, 8	w/ T4, T5, SR-4 Transmission		J8134068
24	Stop Light Switch	1945-66	All	w/ Bullet Terminals; Mounts to Master Cylinder		J0647801
		1966-72	All	w/ Nail Head Terminals; Mounts to Master Cylinder		J0931216
		1972-75	CJ-5, 6, C104 Commando	Mounts to brake pedal		J3215939
		1976-86	CJ-5, 7, 8	Mounts to brake pedal		J5352620



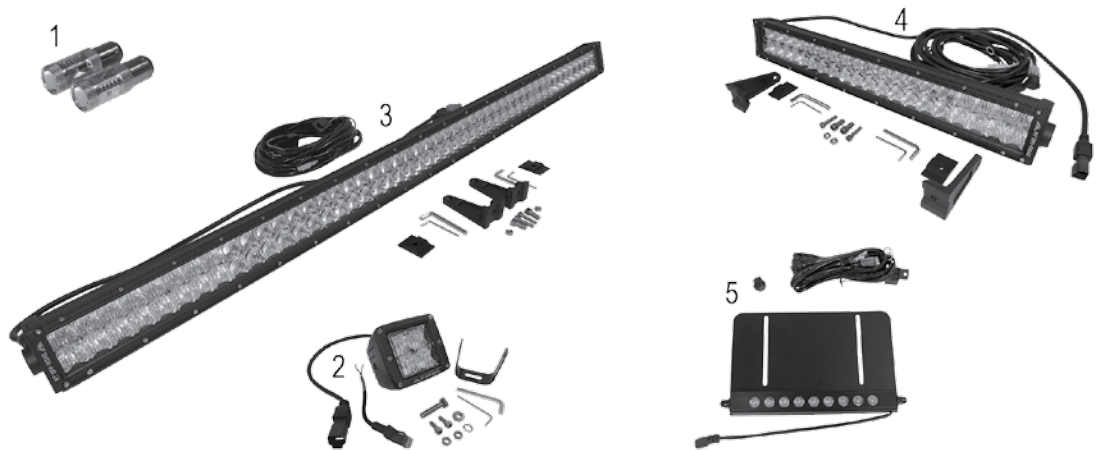
Item #	Description	Years	Models	Comments		Replaces Part #
1	Headlight	1979-91	SJ, J-Series	H6054		J8134319
2	Halogen Light Conversion Kit	1979-91	SJ, J-Series	Set of 2		RT28005
3	Parking Light	1976-91	SJ, J-Series	Left Front		J5460107
		1976-91	SJ, J-Series	Right Front		J5460106
4	Parking Light Socket	1976-91	SJ, J-Series	Left or Right Front		3764863
5	Parking Light Lens	1976-91	SJ, J-Series	Right	Amber	J5460102 *
		1976-91	SJ, J-Series	Left	Amber	J5460103 *
6	Side Marker Light	1974-91	SJ, J-Series	Left or Right Front	Amber	J0994020
7	Side Marker Light	1972-91	SJ, J-Series	Left or Right Rear	Red	J0994021
8	Side Marker Light Kit	1974-91	SJ, J-Series	Left or Right Front; Amber	Includes #6, 9, and 10	994020K
		1972-91	SJ, J-Series	Left or Right Rear; Red	Includes #7, 9, and 10	994021K
9	Side Marker Socket	1972-86	SJ, J-Series	Front or Rear		J5455853
10	Side Marker Bulb	1972-91	SJ, J-Series	Front or Rear	194 Bulb	L0000194
11	Side Marker Socket Kit	1972-91	SJ, J-Series	Includes #9 and 10		5455853K
12	Base, Sidemarker Light	1974-91	SJ	Right Front, Chrome		J5465790
		1974-91	SJ	Left Front, Chrome		J5465791
		1972-91	SJ	Right Rear, Chrome		J5764646
		1972-91	SJ	Left Rear, Chrome		J5764647
13	Tail Light Lens	1974-86	J-Series Sportside	Left or Right	Attaches with 4 Screws	J8129642
		1962-83-1/2	SJ	Left	"L" Shaped	J5459551*
		1962-83-1/2	SJ	Right	"L" Shaped	J5459552
14	License Plate Light	1981-91	SJ			J3670544
15	Headlight Dimmer Switch	1974-86	SJ, J-Series	Mounts to Floor		J5461816

\* Not Currently Available





Item #	Description	Years	Models	Comments	Replaces Part #
16	Headlight Switch	1973-79 1979-86	SJ, J-Series SJ, J-Series	Does not Include Knob w/ Switch Stamped "5751098" Does not Include Knob	J5450558 J5751098
17	Headlight Switch Kit	1973-79 1979-85	SJ, J-Series SJ, J-Series	Does not Include Knob; Includes Connector w/ Switch Stamped "5751098"; Includes Connector	5450558K 5751098K
18	Directional Switch	1973-76 1977-91	SJ, J-Series SJ, J-Series		J8127756 56002011
19	Backup Light Switch	1974-75 1976-86 1980-86 1986 1980-88	SJ, J-Series SJ, J-Series SJ, J-Series SJ, J-Series SJ, J-Series	w/ Automatic Transmission w/ T18 Transmission w/ T176, T177 Transmission w/ T5 Transmission w/ NP208 Transfer Case	J5350284 J5350061 J5751207 J8134068 J8130829
20	Stop Light Switch	1974-91	SJ, J-Series	Mounts to Brake Pedal	J5352620



## Universal

Item #	Description	Comments	Replaces Part #
1	LED Bulb Kit	1157 Amber LED Bulb Kit; Includes 2 Lights 1157 Red LED Bulb Kit; Includes 2 Lights	RT28070 RT28071
2	LED Cube Flood Lamp	3" LED Cube Light; Features Flood Optics; Includes 3" LED Cube Light, Universal Mounting Brackets with Stainless Steel Hardware, and a Wiring Pigtail	RT28085
2	LED Cube Spot Lamp	3" LED Cube Light; Features Spot Optics; Includes 3" LED Cube Light, Universal Mounting Brackets with Stainless Steel Hardware, and a Wiring Pigtail	RT28086
3	LED Light Bar	50" Dual Row LED Light Bar, Features Spot and Flood Combo Optics, Includes 50" LED Light Bar, Universal Mounting Brackets with Stainless Steel Hardware, and a Wiring Harness Featuring Waterproof Connectors with a Relay and a Switch	RT28084
4	LED Light Bar	21.5" Dual Row LED Light Bar; Features Spot and Flood Combo Optics; Includes 21.5" LED Light Bar, Universal Mounting Brackets with Stainless Steel Hardware, and a Wiring Harness Featuring Waterproof Connectors with a Relay and a Switch; Lamps are IP67 Rated for Dust and Moisture Protection	RT28083
5	LED Light Bar and License Plate Bracket Kit	Includes 10" LED Light Bar, a License Place Bracket, a Wiring Harness, a Relay, and a Switch, Matte Black Anodized Finish	RT28035

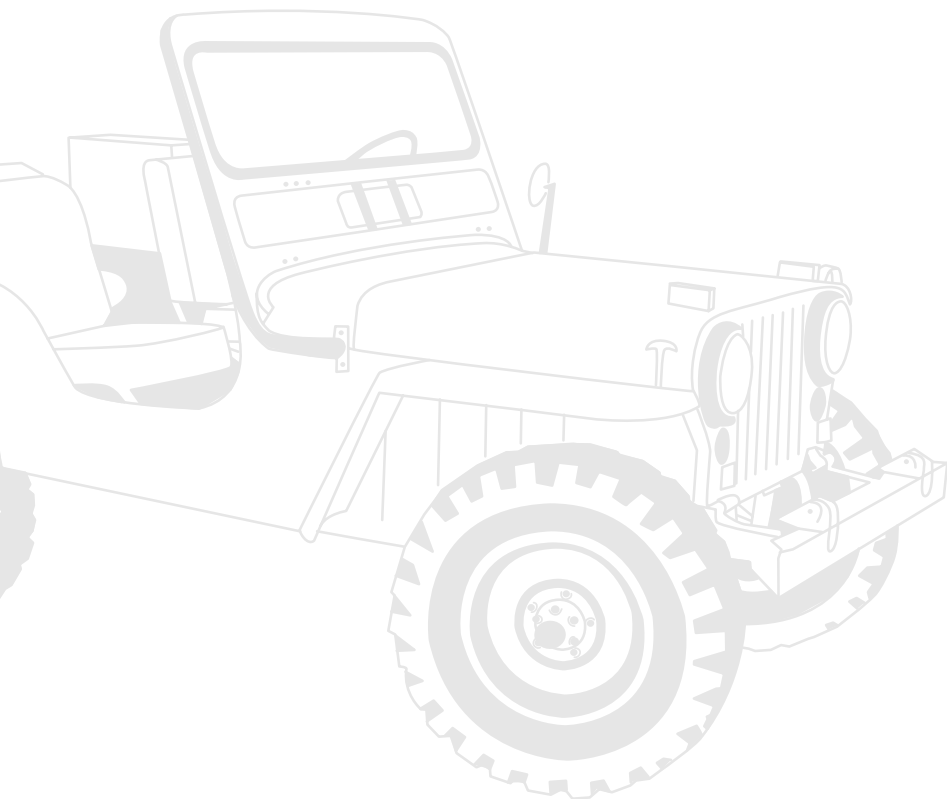




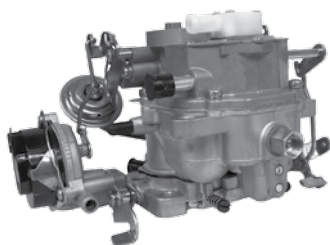
# Fuel / Emissions

---

Carburetor and Related .....	7-2
Fuel Tanks and Related .....	7-4
Emissions and Related .....	7-7
Miscellaneous .....	7-8



1



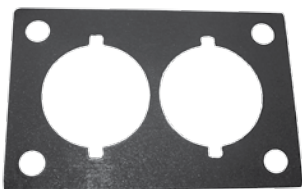
2



3



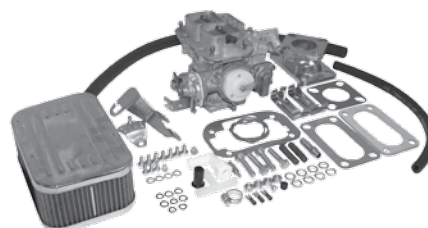
4



5



6



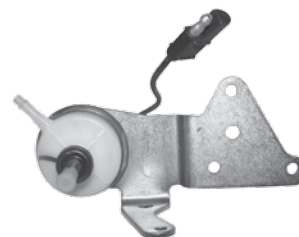
7



8



9



Item #	Description	Years	Model	Engine	Comments	Replaces Part #
1	Carburetor	1941-53	MB, CJ-2A, CJ-3A	4-134 L-Head	Includes Gasket; NOT CARB APPROVED	J0923806
		1953-71	CJ-3B, 5, 6, FC-150	4-134 F-Head	Gasket Not Included; NOT CARB APPROVED	J0923808
		1972-86	CJ-5, 6, 7, 8	4.2L (6-258)	Replaces 2-Barrel Carter Carburetor; Has Progressive Electric Choke; Weber Brand	K551
		1978-86	CJ-5, 6, 7, 8	4.2L (6-258)	Replaces 2-Barrel Carter Carburetor; For High Performance Engines; Has Progressive Electric Choke; Weber Brand	K55138
		1978-86	CJ-5, 7, 8	4.2L (6-258)	For High Performance Engines; Includes Manual Choke; Weber Brand	K55138M
		1981-86	CJ-5, 7, 8, SJ, J-Series	4.2L (6-258)	New; w/o Stepper Motor; Fits Tag #s 8308, 8309, 8311, 8335, 8336, 8337, 8349, 8351, 8355, 8363, 8366; NOT CARB APPROVED	BBD42S
		1982-86	CJ-5, 7, 8, SJ, J-Series	4.2L (6-258)	New; w/ Electric Stepper Motor; Replaces Tag #s 8338, 8339, 8340, 8341, 8357, 8360, 8362; NOT CARB APPROVED	83320007

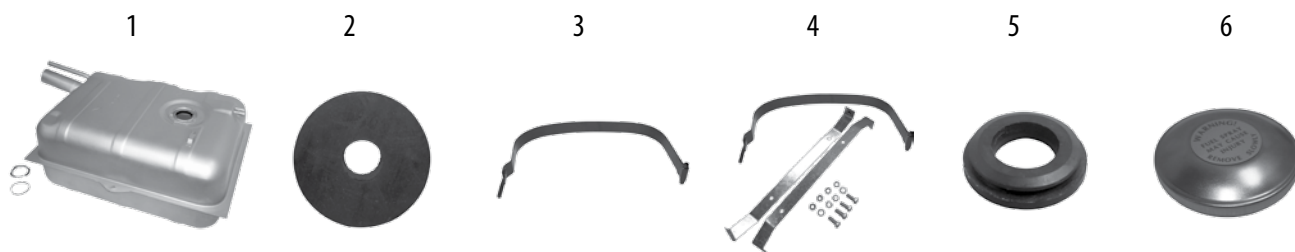
# Carburetor and Related

# Fuel / Emissions

Item #	Description	Years	Model	Engine	Comments	Replaces Part #
2	Carburetor Choke Cable	1941-63	MB, M38, M38-A1	4-134 L-Head	Features Unpainted Knob w/"CHOKE" Engraved	A1301
3	Carburetor Choke Coil	1983-86	CJ-5, 7, 8	AMC 2.5L (4-150)		83500921
4	Carburetor Base Gasket	1981-86	CJ-5, 7, 8, SJ, J-Series	4.2L (6-258)	2 Required	J3235405
5	Carburetor Insulator	1983-86 1974-81 1971-91	CJ-5, 7, 8 CJ-5, 7, 8 SJ, J-Series	AMC 2.5L (4-150) 5.0L (V8-304) 5.9L (V8-360)		53000616 J3240515 J3240515
6	Carburetor Kit	1966-78 1971-78 1972-86 1972-86 1978-86 1980-83 1972-86	CJ-5, 6, 7 CJ-5, 6, 7 CJ-5, 6, 7, 8 CJ-5, 6, 7, 8 CJ-5, 7, 8 CJ-5, 7, 8 SJ, J-Series	3.8L (6-232) 4.2L (6-258) 4.2L (6-258) 4.2L (6-258) 4.2L (6-258) GM 2.5L (4-151) 4.2L (6-258)	Replaces Carter 1-Barrel Carburetor; Weber Brand Replaces Carter 1-Barrel Carburetor; Weber Brand 2-Barrel Carburetor; Includes Pressure Regulator, Filter, Gaskets and Hoses etc. EPC32/36C 2-Barrel Carburetor; Includes Filter, Gaskets, Hoses, etc.; EPC32/36C Replaces 2-Barrel Carter BBD Carburetor 2-Barrel Carburetor; Includes Pressure Regulator, Filter, Gaskets and hoses, etc. EPC32/36C w/ 2-Barrel Carburetor; Includes Filter, Gaskets, Hoses, etc.; EPC32/36 E	K55038 K55038 4715515 471551 K55138 4714915 47-1551
7	Carburetor Repair Kit	1952-63 1945-53 1953-71 1983 1973-78 1979-86 1974-81 1973-76 1977-86 1974-91	M38-A1 CJ-2A, 3A CJ-3B, 5, 6, FC-150 CJ-5, 7, 8 CJ-5, 6, 7 CJ-5, 7, 8 CJ-5, 6, 7, 8 SJ, J-Series SJ, J-Series SJ, J-Series	4-134 F-Head 4-134 L-Head 4-134 F-Head AMC 2.5L (4-150) 3.8L (6-232), 4.2L (6-258) 4.2L (6-258) 5.0L (V8-304) 3.8L (6-232), 4.2L (6-258) 4.2L (6-258) 5.9L (V8-360)	w/ Carter YF Carburetor	J0807885 J0647745 J0924160 83300085 83300057 J8134232 83502174 83300057 J8134232 83502174
8	Choke Diaphragm	1985-86	CJ-5, 7, 8	AMC 2.5L (4-150)		83502112
9	Throttle Solenoid	1985-86	CJ-5, 7, 8	AMC 2.5L (4-150)	w/ Carburetor Tagged 7708S	83502116

# Fuel / Emissions

# Fuel Tank and Related

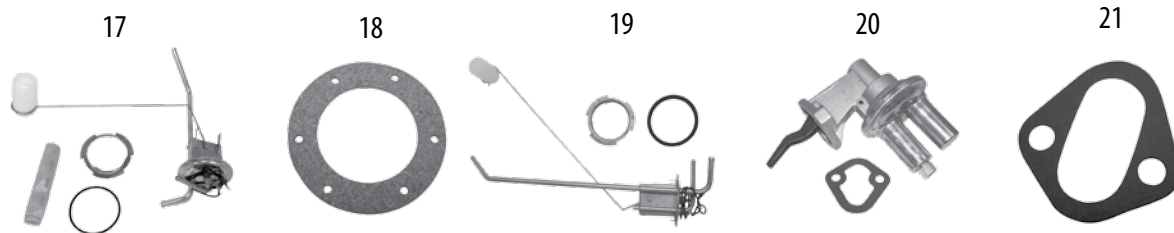


Item #	Description	Years	Models	Tank Size	Engine	Comments	Replaces Part #
1	Fuel Tank	1945-56	CJ-2A, 3A, 3B	All	All	Includes Sending Unit Gasket and Pickup Tube; Plastic Under Seat Fuel Tank w/ 5-Screw Sending Unit	640685PL
		1945-56	CJ-2A, 3A, 3B	All	All	Under Seat Tank, Short Straight Neck; Metric Plug: M12 x 1.50	640685
		1955-70	CJ-5, 6	All	All	Under Seat Fuel Tank; Long Angled Neck; Metric Plug: M12 x 1.50; w/ 6-Screw Sending Unit; Length: 24-1/2"; Width: 18-3/4"; Height: 6-1/4"	J0912008
		1955-72	CJ-5, 6	All	All	Under Seat Tank w/ 6 Screw Sending Unit; Not for Models w/ Lock Ring Style Sending Units; Pick Up Tube Comes w/ Tank, Includes New Gasket; Plastic Tank	912008PL
		1970-76	CJ-5, 6, 7	15 Gal.	All	Rear-Mounted Fuel Tank; Filler Tube: 2-1/4" O.D. - 7" Long; Vent Tube: 7-1/2" Long; 25-1/4" Wide; 18-3/4" Long; 10-7/8" High	J5355314
		1972-73	C104 Commando	15 Gal.	All	Rear-Mounted Fuel Tank; Filler Tube: 2-1/4" O.D. - 7" Long; Vent Tube - 7-1/2" Long; 25-1/4" Wide; 18-3/4" Long; 10-7/8" High	J5355314
		1977-77	CJ-5, 7	15 Gal.	All	2" Filler Neck, 1-1/2" Long; Vent Tube 4-1/2" Long	J8127698
		1978-86	CJ-5, 7	22 Gal.	All	Plastic; Hangs 4" Lower Than Original Tank; Includes Sending Unit, Top Strap, Lock Ring, O-Ring and Skid Plate Extensions	8128585PLXL
		1978-86	CJ-5, 7, 8	15 Gal.	All	3/4" Filler Neck, 1-1/4" Long; Vent Tube 1-1/2" Long	J8128585
1978-86	CJ-5, 7, 8	15 Gal.	All	Plastic; Includes Lock Ring and O-Ring	8128585PL		
2	Fuel Tank Mount Isolator	1972-75	CJ-5, 6	All	All	Isolates the Fuel Tank from the Mounting Bolts; 1-1/4" OD; 5/16" ID; 7/16" Thick	J0992825
3	Fuel Tank Strap	1970-83	CJ-5, 6	15 Gal.	All	w/ Rear Mounted Fuel Tank; Center Strap; Nut Not Included (5/16"-18)	J5356651
		1976-86	CJ-7, 8	15 Gal.	All	Nut Not Included (5/16"-18); Center Strap	J5356651
4	Fuel Tank Strap Kit	1947-72	CJ-2A, 3B, 5, 6	All	All	w/ Under Seat Fuel Tank	CJGTS3
		1972-86	CJ-5, 6, 7, 8	15 Gal.	All	Metal or Plastic; Includes 2 Gas Tank End Straps; Middle Strap (P/N J5356651) Not Included	CJGTSE1
		1976-86	CJ-5, 7, 8	15 Gal.	All	Contains 3 Straps - Left, Right and Center	5356651K
5	Vapor Valve Seal	1980-86	CJ-5, 7, 8	All	All		52018823
		1980-91	SJ, J-Series	All	All		52018823
6	Fuel Cap	1945-71	CJ-2A, 3A, 3B, 5, 6	All	All	Non-Locking	J0908593
		1972-86	CJ-5, 6, 7, 8	All	All	Non-Locking; Non-Vented	52003768
		1980-86	CJ-5, 7, 8	All	All	Locking, Non-Vented	J5350828
		1981-82	CJ-5, 7, 8	All	All	Export Models Only; Locking, Vented	J0934197
		1950-63	M38, M38-A1	All	All	Non-Locking	J0908593
		1965-74	SJ, J-Series	All	All	Primed	J8123141
		1980-91	SJ, J-Series	All	All	Locking, Non-Vented	J5350828
		1981-91	SJ, J-Series	All	All	Non-Locking; Non-Vented	52003768



Item #	Description	Years	Models	Tank Size	Engine	Comments	Replaces Part #
7	Fuel Filler Hose	1970-75	CJ-5	All	All	Hole on Side for Vent; 2-5/8" OD; 2-3/16" ID	J0992965
		1977-77	CJ-5	All	All		J5354760
		1978-86	CJ-5, 7	15 Gal.	All	1" ID	J5357970
		1981-86	CJ-7	20 Gal.	All	1" at Smaller End, 1-3/16" at Flare End	J5362158
		1980-91	SJ	All	All		J5361183
8	Fuel Vent Hose	1977-77	CJ-5		All		J5357065
		1978-86	CJ-5, 7	15 Gal.	All	11/16" ID	J5357971
		1981-86	CJ-7	20 Gal.	All	3/4" At Smaller End, 1" at Flare End	J5362159
		1980-91	SJ	All			J5361184
9	Fuel Filler Neck	1978-86	CJ-5, 7	All	All		J5364760
10	Fuel Neck Protector	1978-86	CJ-5, 7, 8	All	All	Stainless Steel; Includes Hardware	RT34089
11	Fuel Filter	1981-86	CJ-5, 7, 8	20 Gal.	All	In-Tank	J5361389
		1972-86	CJ-5, 6, 7, 8	15 Gal.	All	In-Tank	J3230376
		1974-86	CJ-5, 6, 7, 8	All	4.2L (6-258)	Single Inlet, Dual Outlet	J3229443
		1980-91	SJ, J-Series	All	All	In-Tank	J5361389
	Fuel Filter Kit	1967-75	CJ-5, 6	All	All	Includes Fuel Filter, Hose and Clamps	J8992638
		1975-86	CJ-5, 6, 7, 8	All	GM 2.5L (4-151), AMC 2.5L (4-150), 4.2L (6-258), 5.0L (V8-304)	Single Inlet, Dual Outlet; Includes Filter, Clamps, and 2 Sections of Hose	J8129383
		1965-67	SJ, J-Series	All	5.4L (V8-327)	Includes Fuel Filter, Hose and Clamps	J8992638
		1973-91	SJ, J-Series	All	4.2L (6-258), 5.9L (V8-360)	Single Inlet, Dual Outlet; Includes Filter, Clamps, and 2 Sections of Hose	J8129383
		1972-75	J-Series	All		Includes Fuel Filter, Hose and Clamps	J8992638
1967-71	C101, C104 Commando	All	4.2L (6-258), 5.9L (V8-360)	Includes Fuel Filter, Hose and Clamps	J8992638		
12	Fuel Filler Neck Grommet	1945-72	CJ-2A, 3A, 3B, 5, 6	All	All	w/ Under Seat Fuel Tank	J0663502
		1970-75	CJ-5, 6	All	All	w/ Rear Mounted Fuel Tank; 1-3/4" ID	J0654758
		1947-63	Pickup	All	All	1-3/4" ID	J0654758
		1948-50	VJ Jeepster	All	All	1-3/4" ID	J0654758
13	Fuel Line	1945-71	CJ-2A, 3A, 3B, 5, 6	All	4-134 L or F-Head	Flexible; Connects Line From Fuel Tank to Fuel Pump; 7" Long	J0802040
		1947-55	Pickup, Station Wagon	All	4-134 L or F-Head	Flexible; Connects Line From Fuel Tank to Fuel Pump; 7" Long	J0802040
14	Fuel Sending Unit Lock Nut	1981-86	CJ-5, 7, 8	20 Gal.	All	w/ Plastic Fuel Tank	J5370014
		1980-91	SJ, J-Series	All	All	w/ Plastic Fuel Tank	J5370014
15	Fuel Sending Unit Lock Ring	1970-86	CJ-5, 6, 7, 8	15 Gal.	All	w/ Steel Tank	J0929669
16	Fuel Sending Unit O-Ring	1969-86	CJ-5, 6, 7, 8	All	All	For J5357373, J5362090	J0941521
		1981-91	SJ, J-Series	All	All	For J5357373, J5362090	J0941521

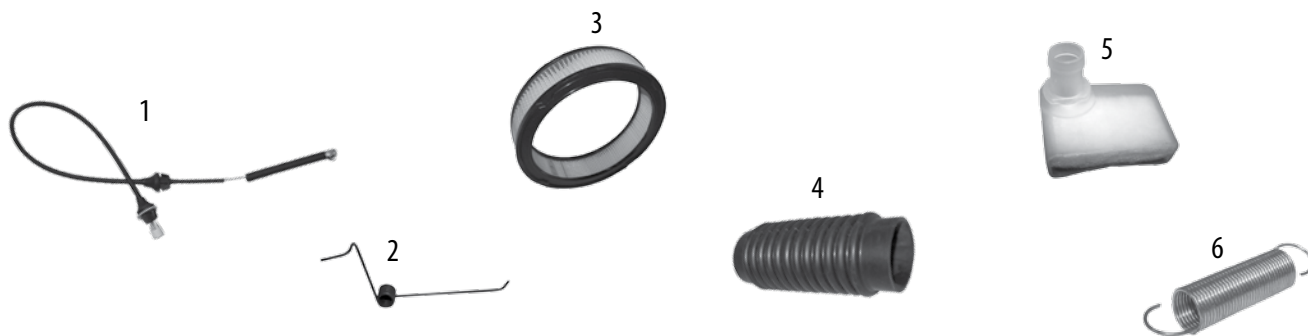




Item #	Description	Years	Models	Tank Size	Engine	Comments	Replaces Part #
17	Fuel Sending Unit	1945-56	CJ-2A, 3A, 3B	All	All	w/ 5-Bolt Sending Unit	J0640694
		1955-66	CJ-3B, 5, 6	All	All	w/ 6-Bolt Sending Unit	J0914850
		1969-86	CJ-5, 6, 7, 8	15 Gal.	All	w/ Rear-Mounted Fuel Tank	J5357373
		1978-86	CJ-5, 7	21 Gal.	All	Plastic Fuel Tank	CJSUXL1
		1981-86	CJ-5, 7, 8	20 Gal.	All		J5362090
		1970-79	SJ	All	All		J5361468
		1980-85	SJ	All	All		J5363490
		1962-79	J-Series	All	All		J5357677
18	Fuel Sending Unit Gasket	1945-56	CJ-2A, 3A, 3B	All	All	w/ 6-Bolt Sending Unit	635641
		1945-56	CJ-2A, 3A, 3B	All	All	w/ 5-Bolt Sending Unit	648927
19	Fuel Sending Unit Kit	1969-86	CJ-5, 6, 7, 8	15 Gal.	All	w/ Rear-Mounted Fuel Tank; Includes Sending Unit, Filter, Lock Ring and Seal	5357373K
		1981-86	CJ-5, 7, 8	20 Gal.	All	Includes Sending Unit, Filter, Lock Ring and Seal	5362090K
20	Fuel Pump	1941-71	MB, CJ-2A, 3A, 3B, 5, 6	All	4-134 L or F-Head	w/o Vacuum Pump; Includes Gasket	J0912017
		1953-71	CJ-3B, 5, 6	All	4-134 F-Head	w/ Vacuum Pump; Includes Gasket	J0120206
		1967-71	CJ-5, 6	All	3.7L (V6-225)	Includes Gasket	J6416783
		1971-75	CJ-5, 6	All	5.0L (V8-304)		J8124460
		1971-78	CJ-5, 6, 7	All	3.8L (6-232), 4.2L (6-258)	w/ 1-Barrel Carburetor; Includes Gasket	J3225283
		1976-81	CJ-5, 7, 8	All	5.0L (V8-304)		J3228195
		1976-81	CJ-5, 7, 8	All	5.0L (V8-304)	Includes Gasket	J3240172
		1980-83	CJ-5, 7, 8	All	GM 2.5L (4-151)		J8132364
		1983-86	CJ-5, 7, 8	All	AMC 2.5L (4-150)		J3228191
		1977-86	CJ-5, 7, 8	All	3.8L (6-232), 4.2L (6-258)	w/ 2-Barrel Carburetor	J3228191
		1971-75	SJ, J-Series	All	5.9L (V8-360)		J8124460
		1976-91	SJ, J-Series	All	5.9L (V8-360)		J3228195
		1977-86	SJ, J-Series	All	4.2L (6-258)	w/ 2-Barrel Carburetor	J3228191
		1981-86	J-Series	All	4.2L (6-258)	Includes Gasket	J3240172
		1947-54	Pickup	All	4-134 L or F-Head	w/o Vacuum Pump; Includes Gasket	J0912017
		1954-64	Pickup, Station Wagon	All	6-226	Includes Gasket	J0735994
		1966-71	C101 Commando	All	4-134 F-Head	w/o Vacuum Pump; Includes Gasket	J0912017
		1956-64	FC-150	All	4-134 F-Head	w/o Vacuum Pump; Includes Gasket	J0912017
		1957-64	FC-170	All	4-134 F-Head	Includes Gasket	J0735994
		1948-55	VJ Jeepster, Sedan Delivery, Station Wagon	All	4-134 L or F-Head	w/o Vacuum Pump; Includes Gasket	J0912017
21	Fuel Pump Gasket	1941-71	MB, CJ-2A, 3A, 3B, 5, 6, M38, M38-A1, FC-150, C101 Commando, Pickup, VJ Jeepster, Station Wagon, Sedan Delivery	All	4-134 L or F-Head		638737
		1977-86	CJ-5, 7, 8	All	3.8L (6-232), 4.2L (6-258), GM 2.5L (4-151), AMC 2.5L (4-150)		J3174685
		1977-86	SJ, J-Series	All	4.2L (6-258)		J3174685



Item #	Description	Years	Models	Engine	Comments	Replaces Part #
1	EGR Valve Gasket	1983-86	CJ-5, 7, 8	AMC 2.5L (4-150)		J3221283
		1981-86	CJ-5, 7, 8	4.2L (6-258)		J3221283
		1981-86	SJ, J-Series	4.2L (6-258)		J3221283
		1981-91	SJ, J-Series	5.9L (V8-360)		J3221283
2	Check Valve	1980-83	CJ-5, 7, 8	GM 2.5L (4-151)		J3228426
		1983-86	CJ-5, 7, 8	AMC 2.5L (4-150)		J3235938
		1983-86	CJ-5, 7, 8	AMC 2.5L (4-150)		J3228426
		1981-86	CJ-5, 7, 8	4.2L (6-258)		J3228426
		1981-86	CJ-5, 7, 8	4.2L (6-258)		J3235938
		1981	CJ-5, 7, 8	5.0L (V8-304)		J3228426
		1981-86	SJ, J-Series	4.2L (6-258)		J3228426
		1983-86	SJ, J-Series	4.2L (6-258)		J3235938
		1981-91	SJ, J-Series	5.9L (V8-360)		J3228426
		1981-91	SJ, J-Series	5.9L (V8-360)		J3235938
3	Hot Air Duct	1983-86	CJ-5, 7, 8	AMC 2.5L (4-150)		33003391
		1974-86	CJ-5, 6, 7, 8	3.8L (6-232), 4.2L (6-258)		33003391
		1974-81	CJ-5, 6, 7, 8	5.0L (V8-304)		33003391
4	PCV Valve	1972-74	CJ-5, 6	4.2L (6-258)		J3211538
		1975	CJ-5, 6	3.8L (6-232)	w/ Manual Trans. w/ Cali. Emissions	J3211538
		1976-77	CJ-5, 7	3.8L (6-232), 4.2L (6-258)		J3230351
		1978-80	CJ-5, 7	3.8L (6-232), 4.2L (6-258)		J3236680
		1981	CJ-5, 7, 8	4.2L (6-258)		J3240359
		1982	CJ-5, 7, 8	4.2L (6-258)		J3241629
		1983-86	CJ-5, 7, 8	4.2L (6-258)		33000887
		1971-78	CJ-5, 6, 7	5.0L (V8-304)		J3211538
		1979-81	CJ-5, 7	5.0L (V8-304)		J3234216
		1972-73	C104 Commando	4.2L (6-258), 5.0L (V8-304)		J3211538
		1965-75	SJ, J-Series	4.2L (6-258)		J3211538
		1976-77	SJ, J-Series	4.2L (6-258)		J3230351
		1978-80	SJ, J-Series	4.2L (6-258)		J3236680
5	PCV Valve Elbow	1981-86	CJ-5, 7, 8	4.2L (6-258)		J3236685
		1981-86	SJ, J-Series	4.2L (6-258)		J3236685
6	PCV Valve Hose	1971-75	CJ-5, 6	3.8L (6-232), 4.2L (6-258)		J3190565
		1972-73	C104 Commando	4.2L (6-258)		J3190565
		1971-75	SJ, J-Series	3.8L (6-232), 4.2L (6-258)		J3190565
7	PCV Valve Gasket	1941-71	All	4-134 L or F-Head		630299
8	PCV Valve and Grommet	1984-86	SJ, J-Series	4.2L (6-258)		4897692AA
9	Thermal Vacuum Switch	1983-86	CJ-5, 7, 8	AMC 2.5L (4-150)		J3237457
		1981-86	SJ, J-Series	4.2L (6-258)		J3237457



Item #	Description	Years	Models	Engine	Comments	Replaces Part #
1	Accelerator Cable	1966-71	CJ-5, 6	3.7L (V6-225)		J0942597
		1972-75	CJ-5, 6	5.0L (V8-304)	25-1/2" Conduit Length; 35-1/2" Overall Length	J0999893
		1972-75	CJ-5, 6	3.8L (6-232), 4.2L (6-258)	27-3/4" Overall Length	J0999923
		1974-75	CJ-5, 6	4.2L (6-258)	RHD; Overall Length: 39-1/2"; Length Between Mounting Points: 30"	J5350750
		1976-76	CJ-5, 7	5.0L (V8-304)	21-1/4" Overall Length	J5356483
		1977-78	CJ-5, 7	3.8L (6-232), 4.2L (6-258)	21-3/4" Overall Length	J5358677
		1979-80	CJ-5, 7	4.2L (6-258)	21-3/4" Overall Length	J5358677
		1977-81	CJ-5, 7, 8	5.0L (V8-304)	18-1/4" Overall Length	J5357931
		1977-86	CJ-5, 7, 8	4.2L (6-258)	RHD Export Only; 53" Overall Length	J5357953
		1981-86	CJ-5, 7, 8	4.2L (6-258)	LHD Export Only; 21-3/4" Overall Length	J5358677
		1981-86	CJ-5, 7, 8	4.2L (6-258)	24-1/4" Overall Length	J5362801
		1983-86	CJ-5, 7, 8	AMC 2.5L (4-150)		J5364684
		1967-69	M715	6-230		J0933119
		1965-67	SJ, J-Series	5.4L (V8-327)		J0940063
		1968-71	SJ, J-Series	5.7L (V8-350)		J0947778
		1971-72	SJ, J-Series	3.8L (6-232)		J0940896
		1973-76	SJ, J-Series	4.2L (6-258)		J5351420
		1977-77	SJ, J-Series	4.2L (6-258)	Stamped 5356569	J5356569
		1977-80	SJ, J-Series	4.2L (6-258)	Stamped 5357703	J5357703
		1981-86	SJ, J-Series	4.2L (6-258)		J5362800
1981-86	SJ, J-Series	4.2L (6-258)	Export	J5357703		
1971-72	SJ, J-Series	5.9L (V8-360), 6.6L (V8-401)		J5351388		
1974-77	SJ, J-Series	5.9L (V8-360), 6.6L (V8-401)		J5351419		
1977-91	SJ, J-Series	5.9L (V8-360)		53005205		
1966-71	C101 Commando	4-134 F-Head	20-1/8" Overall Length	J0942945		
2	Accelerator Pedal Spring	1953-71	CJ-3B, 5, 6	4-134 F-Head		J0803358
		1981-86	CJ-5, 7, 8	All		J3193369
		1981-91	SJ, J-Series	All		J3193369
3	Air Filter	1980-83	CJ-5, 7, 8	GM 2.5L (4-150)		J8991386
		1983-86	CJ-5, 7, 8	AMC 2.5L (4-150)		J8991386
		1974-86	CJ-5, 6, 7, 8	4.2L (6-258)		J8991386
		1972-81	CJ-5, 6, 7, 8	5.0L (V8-304)		J8992661
		1980-83	CJ-7, 8	2.4L Diesel		J8060602
		1974-86	SJ, J-Series	4.2L (6-258)		J8991386
		1973-91	SJ, J-Series	5.9L (V8-360)		J8992661
4	Air Intake Duct	1953-71	CJ-3B, 5, 6	4-134 F-Head	Air Cleaner To Carburetor Horn	J0926945
		1983-86	CJ-5, 7, 8	AMC 2.5L (4-150)		J5357889
		1975-77	CJ-5, 6, 7	5.0L (V8-304)		J5354498
		1978-81	CJ-5, 7, 8	5.0L (V8-304)		J5357889
5	Crankcase Breather	1978-86	CJ-5, 7, 8	4.2L (6-258)		J3236695
		1978-86	SJ, J-Series	4.2L (6-258)		J3236695
6	Throttle Return Spring	1984-86	CJ-5, 6, 7, 8	AMC 2.5L (4-150)		33001069

## **4-134 L-Head (Go Devil) Engine . . . . . 8-2**

1941-1953 MB, CJ-2A, 3A, M38  
1946-1953 Willys Pickup, Sedan Delivery, Station Wagon  
1948-1950 VJ Jeepster

## **4-134 F-Head (Hurricane) Engine . . . . . 8-6**

1952-1971 CJ-3B, 5, 6, M38-A1  
1956-1964 FC-150  
1966-1971 C101 Commando  
1950-1955 Sedan Delivery, Station Wagon,  
VJ Jeepster, Willys Pickup

## **3.8L (S6-232) and 4.2L (S6-258) Engines . . . . . 8-10**

3.8L (S6-232): 1965-1979 CJ-5, 6, 7, SJ, J-Series  
4.2L (S6-258): 1971-1986 CJ-5, 6, 7, 8, C104 Commando, SJ, J-Series

## **AMC V8 Engines . . . . . 8-16**

5.0L (V8-304): 1971-1981 CJ-5, 6, 7, 8, C104 Commando  
5.9L (V8-360): 1970-1991 SJ, J-Series  
6.6L (V8-401): 1971-1979 SJ, J-Series

## **GM 2.5L (4-151) Engine . . . . . 8-20**

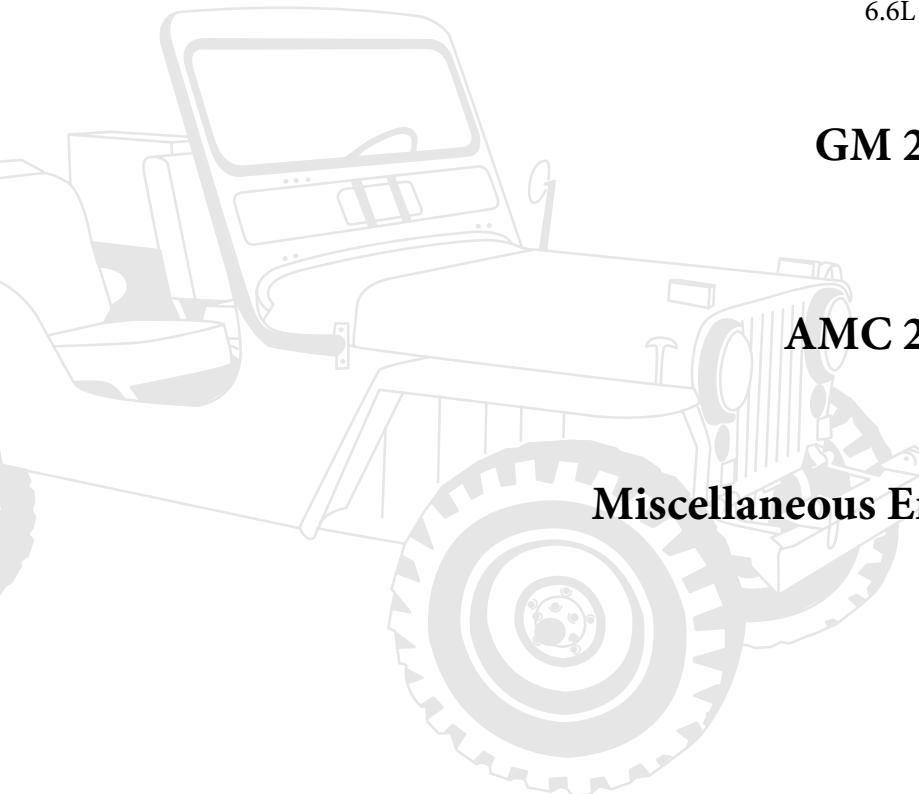
1980-1983 CJ-5, 7, 8

## **AMC 2.5L (4-150) Engine . . . . . 8-22**

1983-1986 CJ-5, 7, 8

## **Miscellaneous Engine Components . . . . . 8-26**

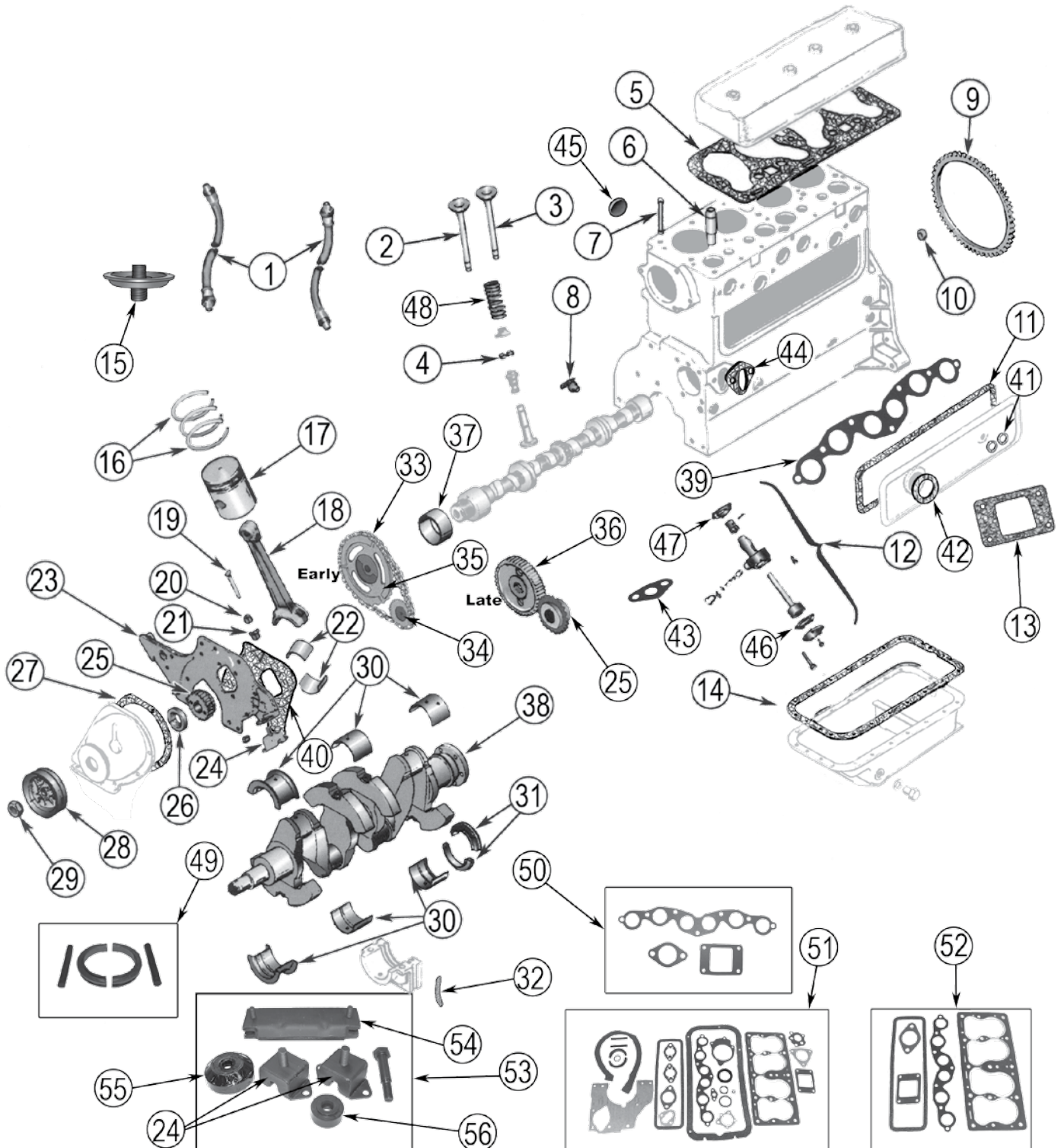
S6-226 Super Hurricane Engine  
V6-225 Buick Dauntless Engine  
S6-230 Tornado Engine  
AMC V8-327 Engine  
Buick V8-350 Engine



# Engine

## 4-134 L-Head (Go Devil)

1941-1953 MB, CJ-2A, 3A, M38  
1946-1953 Willys Pickup, Sedan Delivery, Station Wagon  
1948-1950 VJ Jeepster



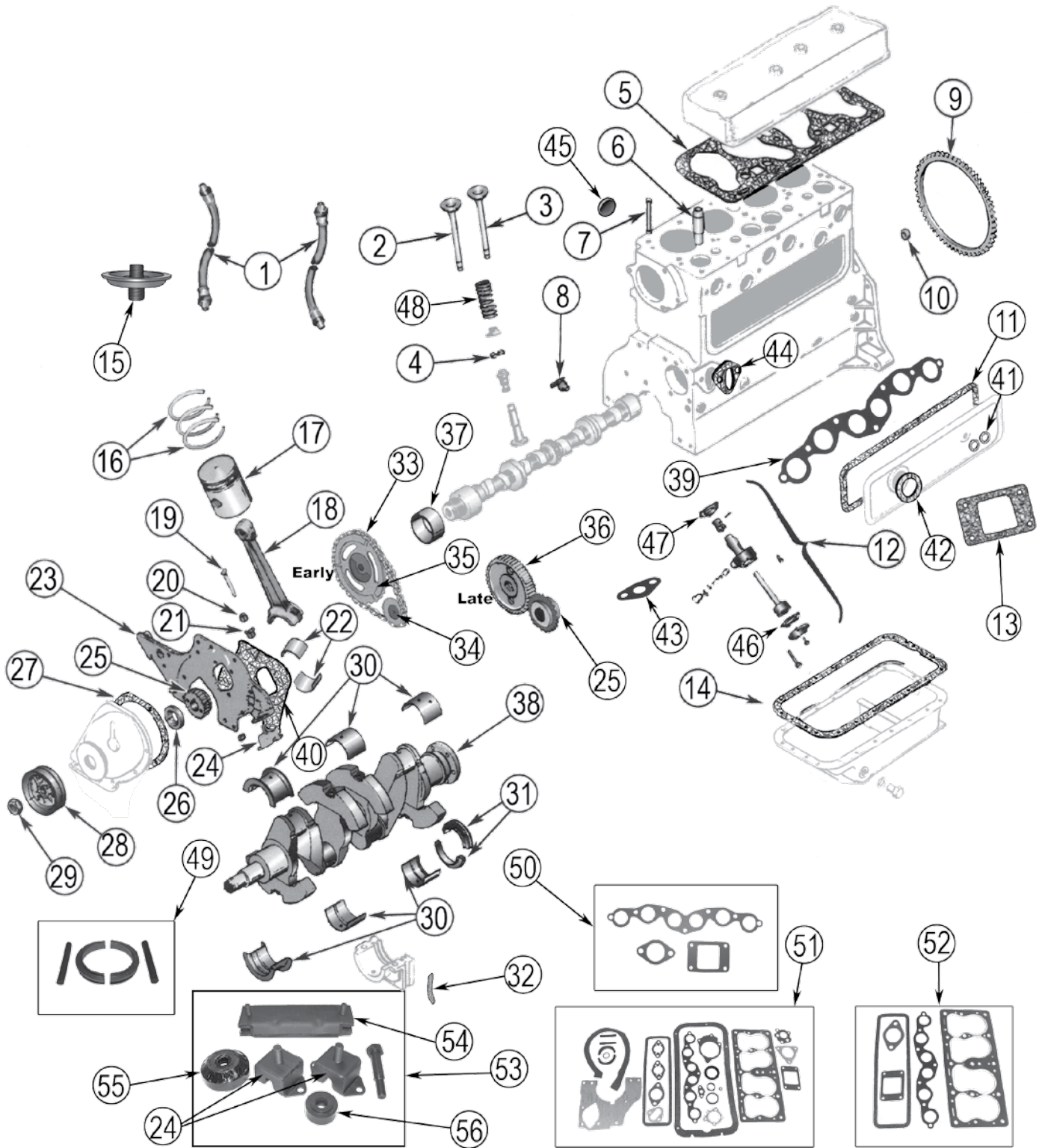
# 4-134 L-Head (Go Devil)

# Engine

Item #	Description	Application	Comments	Replaces Part #
1	Hose, Oil Filter	All Except MB, M38	Inlet - 23" Long	J0647584
		MB	Inlet - 21.5" Long	A1197
		All Except MB, M38	Outlet - 12.5" Long	J0910290
		MB, M38	Outlet - 9.5" Long	A1198
2	Valve, Intake	All	Standard	637182
3	Valve, Exhaust	All	Standard	J0637183
4	Lock, Valve Spring Retainer	All	8 Required	J0375994
5	Gasket, Cylinder Head	All Except MB		J0638540
6	Guide, Valve	All	Intake; 2.74" Long	119136
		All	Exhaust; 3" Long	119137
7	Stud, Cylinder Head to Block	All	15 Required	J0349368
8	Draincock, Engine Block	All		JA001126
9	Ring Gear, Flywheel	MB, CJ-2A	97 Teeth	J0635394
		M38, Pickup, Station Wagon, Sedan Delivery	124 Teeth	641955
		CJ-3A Before Serial #30973 CJ-3A After Serial #30973	129 Teeth	J0802925
10	Bushing, Crankshaft Pilot	All		J0639578
11	Gasket, Valve Cover	All		J0630305
12	Oil Pump	MB and CJ-2A w/ Timing Chain	w/ Timing Chain	J0804769
		All Except MB and CJ-2A w/ Timing Chain	w/ Gear-to-Gear Timing	J0804484
13	Gasket, Intake Manifold to Exhaust Manifold	All		J0634811
14	Gasket, Oil Pan	All		J0639980
15	Cover, Oil Filter	All	w/ Spin On Filter	J0929838
16	Ring Set, Piston	All	Standard; 1 Required	J0941885
		All	.010"; 1 Required	J0941886
		All	.020"; 1 Required	941887
		All	.030"; 1 Required	941888
		All	.040"; 1 Required	941889
		All	.060"; 1 Required	941889.060
17	Piston	All	Standard	J8121654
		All	.020"	J0801538
		All	.030"	J0801539
		All	.040"	J8121658
18	Rod, Connecting	All	#s 1,3	J0641774
		All	#s 2,4	J0641775
19	Bolt, Connecting Rod	All Except MB and CJ-2A Before Engine #89737	3/8"-24 Threads	J0641768
20	Nut, Connecting Rod	All Except MB and CJ-2A Before Engine #89737	3/8"-24 Threads	J0641769
21	Locknut, Connecting Rod	All	Stamped	G107823
22	Bearing, Connecting Rod	All	Standard; 4 Required	JA007233
		All	.010"; 4 Required	A7234
		All	.020"; 4 Required	A7235
		All	.030"; 4 Required	A7236
		All	.040"; 4 Required	A7237

Continued on Next Page





Item #	Description	Application	Comments	Replaces Part #
23	Plate, Engine, Front	CJ-3A		927719
24	Mount, Engine	All Except M38	Left or Right	J0638629
25	Gear, Crankshaft Timing	All Except MB and CJ-2A w/ Timing Chain	w/ Gear-to-Gear Timing	J0641282

# 4-134 L-Head (Go Devil)

# Engine

Item #	Description	Application	Comments	Replaces Part #
26	Seal, Crankshaft	All Except MB and CJ-2A w/ Timing Chain	Front; w/ Gear-to-Gear Timing	J0931634
27	Gasket, Timing Cover	All		J0630365
28	Pulley, Crankshaft Damper	MB, CJ-2A, 3A, M38 All	Double Groove Single Groove	J0646698 J0645623
29	Nut, Crankshaft Pulley	MB, CJ-2A, 3A, M38		J0638513
30	Bearing, Main Set	All All All All All	Standard; Includes All 3 Bearings .010"; Includes All 3 Bearings .020"; Includes All 3 Bearings .030"; Includes All 3 Bearings .040"; Includes All 3 Bearings	A6798 A6746 A6747 A6748 A6798-40
31	Seal, Crankshaft	All	Rear; 2 Required	J0800093
32	Packing, Crankshaft	All	Rear; 2 Required	J0637790
33	Chain, Timing	MB and CJ-2A w/ Timing Chain	w/ Timing Chain	638457
34	Gear, Crankshaft Timing	MB and CJ-2A w/ Timing Chain	w/ Timing Chain	J0638459
35	Gear, Camshaft Timing	MB and CJ-2A w/ Timing Chain	w/ Timing Chain	638458 *
36	Gear, Camshaft Timing	All Except MB and CJ-2A w/ Timing Chain	w/ Gear-to-Gear Timing	J0948137
37	Bearing, Camshaft	All	1 Required	J0645595
38	Crankshaft	All Except MB and CJ-2A w/ Timing Chain	w/ Gear-to-Gear Timing	J0647078
39	Gasket, Intake and Exhaust Manifold to Engine	All		J0638640
40	Gasket, Front Engine Plate	MB and CJ-2A w/ Timing Chain All Except MB and CJ-2A w/ Timing Chain	w/ Timing Chain w/ Gear-to-Gear Timing	630359 641096
41	Gasket, Valve Cover Screw	All	2 Required	51875
42	Gasket, Ventilator	All		630299
43	Gasket, Oil Strainer Support	All		630398
44	Gasket, Fuel Pump	All		638737
45	Expansion Plug	All	1.25"	941998
46	Gasket, Oil Pump Cover	All		641482
47	Gasket, Oil Pump to Block			646147
48	Spring, Valve	All	Intake or Exhaust	J0638636
49	Crankshaft Seal Kit	All	Includes 2 Rear Main Seal Halves and 2 Packing	800093K
50	Gasket Set, Exhaust Manifold	All	Includes #s 13, 38, and Manifold to Front Pipe Gasket	JA007835
51	Gasket Set, Overhaul	All	Includes #s 5, 11, 13, 14, 25, 26, 30, 31, 38, 39, 40, 41, 42, 43, 44, 45	J0810584
52	Gasket Set, Valve Grind	All	Includes #s 5, 11, 13, 38, 40	J0802030
53	Engine Mount Kit	All		638629K
54	Mount, Transmission	All		JA006156
55	Mount, Transfer Case	All	Upper	J0926671
56	Mount, Transfer Case	All	Lower	J0801042

\*Not Currently Available

# Engine

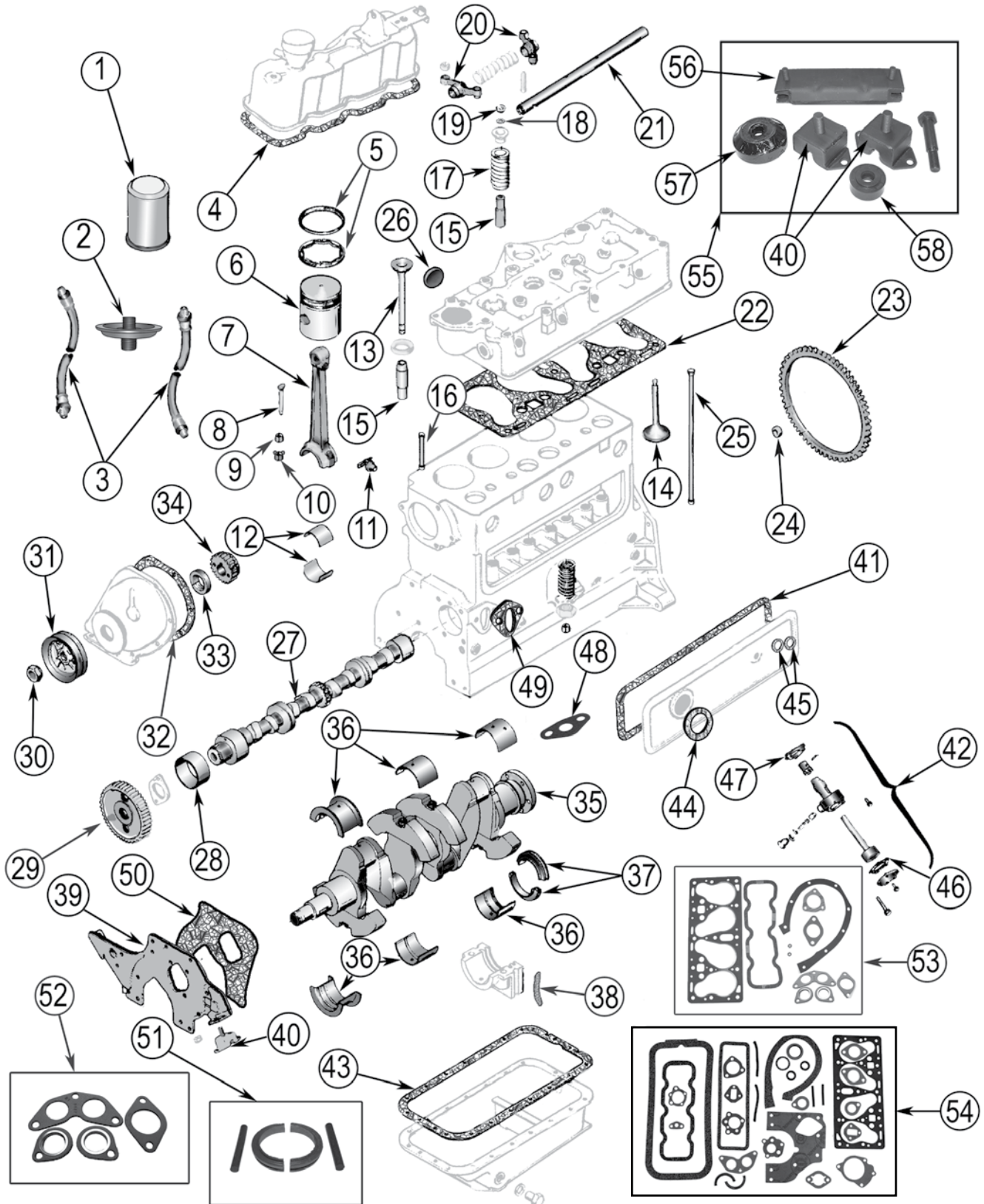
# 4-134 F-Head (Hurricane)

1952-1971 CJ-3B, 5, 6, M38-A1

1956-1964 FC-150

1966-1971 C101 Commando

1950-1955 VJ Jeepster, Willys Pickup, Sedan Delivery, Station Wagon



# 4-134 F-Head (Hurricane)

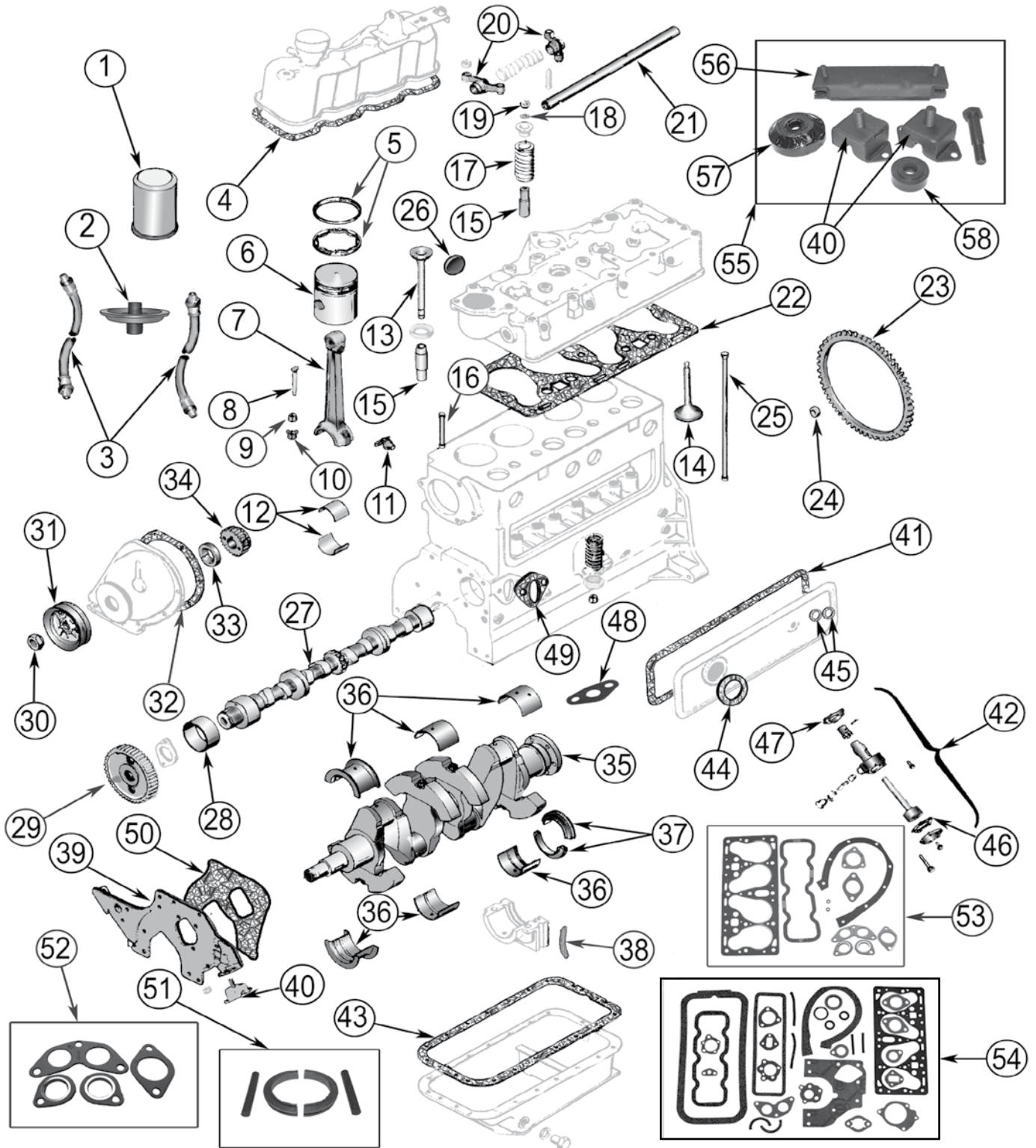
# Engine

Item #	Description	Application	Comments	Replaces Part #
1	Oil Filter	All	Disposable Type	J8993146
2	Cover, Oil Filter	All	w/ Spin On Filter	J0929838
3	Hose, Oil Filter	All Except M38-A1 and C101	Inlet - 30.5" Long	J0647585
		All Except M38-A1, C101 and FC-150	Outlet - 12" Long	J0910290
		FC-150	Outlet - 30.5" Long	J0647585
		M38-A1	Outlet - 9.5" Long	A1198
4	Gasket, Valve Cover	All	Top of Engine	J0648798
5	Ring Set, Piston	All	Standard	J0941885
		All	.010"; 1 Required	J0941886
		All	.020"; 1 Required	941887
		All	.030"; 1 Required	941888
		All	.040"; 1 Required	941889
		All	.060"; 1 Required	941889.060
6	Piston	All	Standard	J8121654
		All	.020"	J0801538
		All	.030"	J0801539
		All	.040"	J8121658
7	Rod, Connecting	All	#s 1, 3	J0641774
		All	#s 2, 4	J0641775
8	Bolt, Connecting Rod	All	3/8"-24 Threads	J0641768
9	Nut, Connecting Rod Bolt	All	3/8"-24 Threads	J0641769
10	Locknut, Connecting Rod	All	Stamped	G107823
11	Draincock, Engine Block	All		JA001126
12	Bearing, Connecting Rod	All	Standard	JA007233
		All	.010"	A7234
		All	.020"	A7235
		All	.030"	A7236
		All	.040"	A7237
13	Valve, Exhaust	All	Standard	J0928342
14	Valve, Intake	All	Standard	J0994946
15	Guide, Valve	All	Intake; 2.375" Long	119138
		All	Exhaust; 3" Long	119137
16	Bolt, Cylinder Head to Block	All	4-1/4" Long; 14 Required	J0805730
17	Spring, Valve	All	Intake	J0800417
		All	Exhaust	J0638636
18	Seal, Valve	All	Intake or Exhaust	J0800986
19	Lock, Valve Spring Retainer	All	Exhaust	J3242664
		All	Intake	J0375994
20	Rocker Arm	All	Left	J0805375*
		All	Right	J0805376
21	Shaft, Rocker Arm	All		J0805368 *

\*Not Currently Available

Continued on Next Page





Item #	Description	Application	Comments	Replaces Part #
22	Gasket, Cylinder Head	All	w/o Emission Pump	J0807036
23	Ring Gear, Flywheel	All	129 Teeth	J0802925
24	Bushing, Crankshaft Pilot	All		J0639578

# 4-134 F-Head (Hurricane)

# Engine

Item #	Description	Application	Comments	Replaces Part #
25	Push Rod, Valve	All	Intake	J0804622
26	Expansion Plug	All		941998
27	Camshaft	All		J0800517
28	Bearing, Camshaft	All		J0645595
29	Gear, Camshaft Timing	All		J0948137
30	Nut, Crankshaft Pulley	All		J0638513
31	Pulley, Crankshaft Damper	All	Double Groove	J0646698
		All	Single Groove	J0645623
32	Gasket, Timing Cover	All		J0630365
33	Seal, Crankshaft	All	Front	J0931634
34	Gear, Crankshaft Timing	All		J0641282
35	Crankshaft	All		J0647078
36	Bearing, Main, Set	All	Standard; Includes All 3 Bearings	A6798
		All	.010"; Includes All 3 Bearings	A6746
		All	.020"; Includes All 3 Bearings	A6747
		All	.030"; Includes All 3 Bearings	A6748
		All	.040"; Includes All 3 Bearings	A6798.40
37	Seal, Crankshaft	All	Rear; 2 Required	J0800093
38	Packing, Crankshaft	All	Rear; 2 Required	J0637790
39	Plate, Engine, Front	CJ-5, 6, FC-150		927719
40	Mount, Engine	All Except M38-A1	Left or Right	J0638629
41	Gasket, Tappet Cover	All	Side of Engine	J0630305
42	Oil Pump	All		J0804484
43	Gasket, Oil Pan	All		J0639980
44	Gasket, Ventilator	All		630299
45	Gasket, Valve Cover Screw	All	2 Required	51875
46	Gasket, Oil Pump Cover	All		641482
47	Gasket, Oil Pump to Block	All		646147
48	Gasket, Oil Strainer Support	All		630398
49	Gasket, Fuel Pump	All		638737
50	Gasket, Front Engine Plate	All		641096
51	Crankshaft Seal Kit	All	Includes 2 Rear Main Seal Halves and 2 Packing	800093K
52	Gasket Set, Exhaust Manifold	All	Includes Center Gasket, Outer Gaskets, and Downpipe Gasket	J0801345
53	Gasket Set, Valve Grind	All	Includes #s 3, 21, 39, 43, 50	801344
54	Gasket Set, Overhaul	All Except M38-A1	Includes #s 3, 17, 21, 39, 41, 43, 44, 45, 46, 48, 49, 50	810585
55	Engine Mount Kit	All		638629K
56	Mount, Transmission	All		JA006156
57	Mount, Transfer Case	All	Upper	J0926671
58	Mount, Transfer Case	All	Lower	J0801042

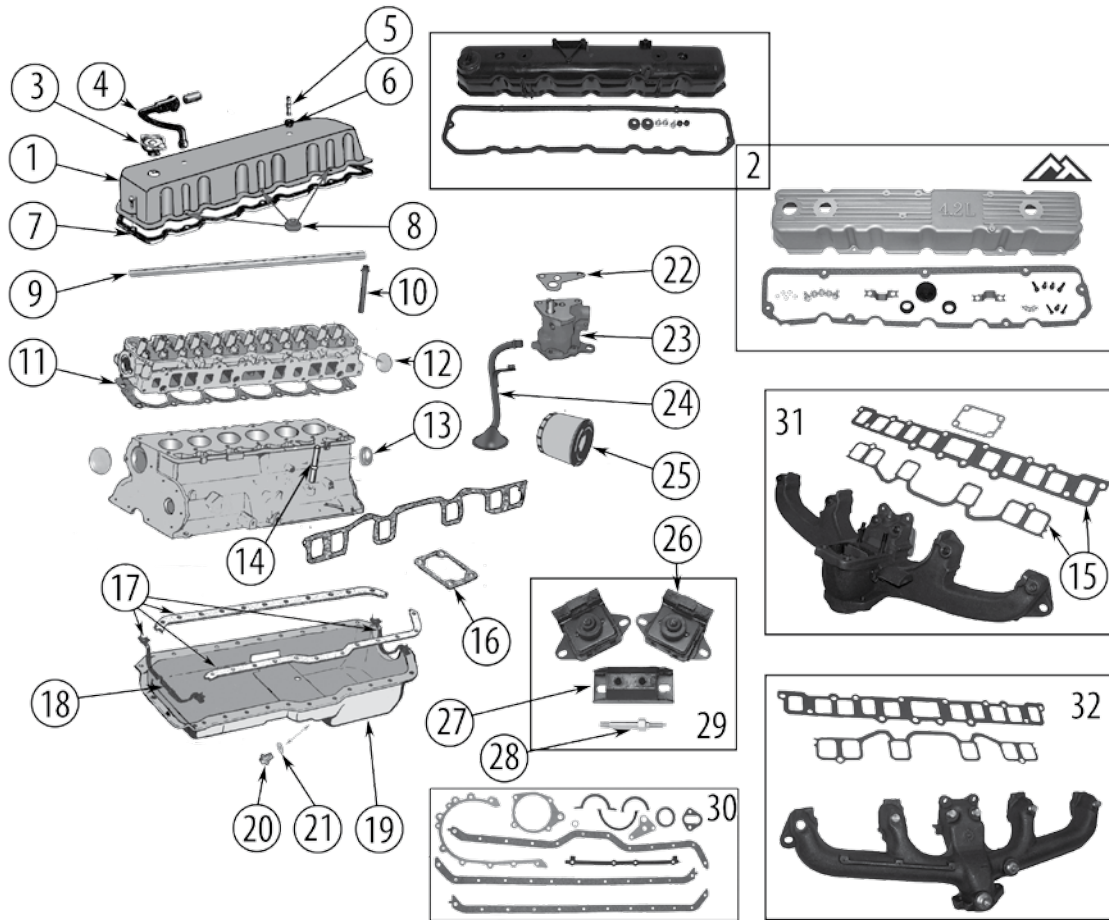


# Engine

## 3.8L (S6-232) and 4.2L (S6-258)

3.8L (S6-232): 1965-1979 CJ-5, 6, 7, SJ, J-Series

4.2L (S6-258): 1971-1986 CJ-5, 6, 7, 8, C104 Commando, SJ, J-Series



Item #	Description	Years	Application	Engine	Comments	Replaces Part #
1	Cover, Valve	1981-86	All	4.2L (6-258)	Plastic	83501398
2	Valve Cover Kit	1981-86	All	4.2L (6-258)	Plastic	83501398K
		1981-86	All	4.2L (6-258)	Aluminum, Unpainted	RT35004
		1981-86	All	4.2L (6-258)	Aluminum, Painted Black	RT35005
3	Cap, Oil Filler	1965-79	All	3.8L (6-232), 4.2L (6-258)	Twist-on	J8132312
		1981-86	All	4.2L (6-258)	Twist-on	33001016
4	Hose, Valve Cover to Air Cleaner	1971-75	All	3.8L (6-232), 4.2L (6-258)		J3190565
5	PCV Valve	1972-74	CJ-5, 6	4.2L (6-258)		J3211538
		1975	CJ-5, 6 w/ Manual Trans.	3.8L (6-232)	w/ California Emissions	J3211538
		1975	CJ-5, 6 w/ Auto. Trans.	4.2L (6-258)		J3211538
		1976-77	CJ-5, 7	3.8L (6-232), 4.2L (6-258)		J3230351
		1978-80	CJ-5, 7	3.8L (6-232), 4.2L (6-258)		J3236680
		1981	CJ-5, 7, 8	4.2L (6-258)		J3240359
		1982	CJ-5, 7, 8	4.2L (6-258)		J3241629
		1983-86	CJ-5, 7, 8	4.2L (6-258)		33000887
		1972-73	C104 Commando	4.2L (6-258)		J3211538
		1965-75	SJ, J-Series	4.2L (6-258)		J3211538
		1976-77	SJ, J-Series	4.2L (6-258)		J3230351
		1978-80	SJ, J-Series	4.2L (6-258)	2 Outlets	J3236680
		1981-86	SJ, J-Series	4.2L (6-258)	1 Outlet	33000887

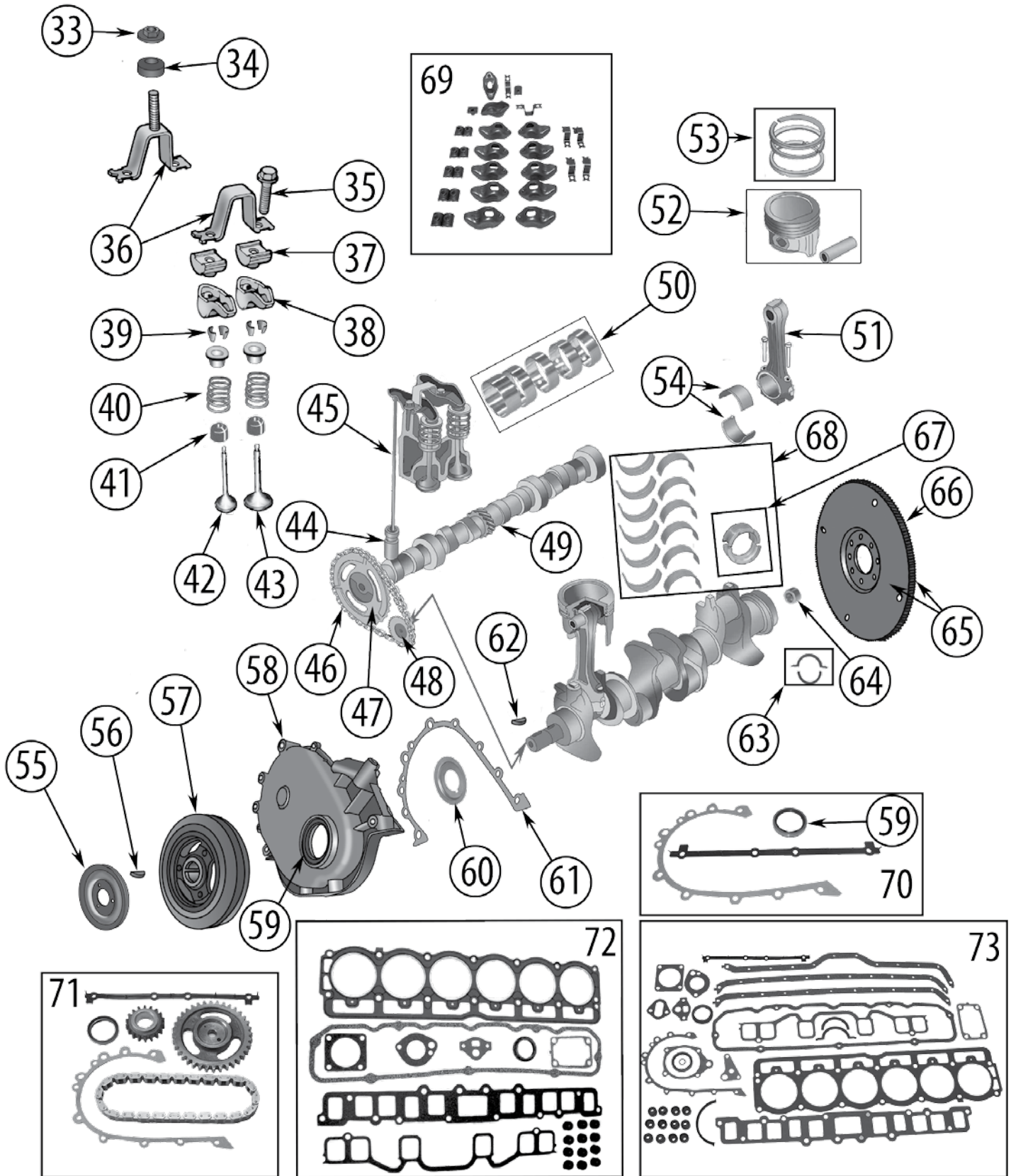
# 3.8L (S6-232) and 4.2L (S6-258)

# Engine

Item #	Description	Years	Application	Engine	Comments	Replaces Part #
6	Grommet, Valve Cover	1976-86	All (Export)	4.2L (6-258)	.45" ID	J3225627
7	Gasket, Valve Cover	1965-80	All	3.8L (6-232), 4.2L (6-258)	Cork	J8126762
		1981-86	All	4.2L (6-258)	Layered Foam Rubber	J8053050
		1981-86	All	4.2L (6-258)	Cork	J8053050C
8	Nut, Valve Cover Retainer	1981-86	All	4.2L (6-258)		J4007199
9	Shaft, Rocker Arm	1966-74	All	3.8L (6-232), 4.2L (6-258)	w/ Shaft Rocker Arms	J8125322
10	Bolt, Cylinder Head	1981-86	All	4.2L (6-258)	1/2"-13 x 3.7" Long	6035514
		1981-86	All	4.2L (6-258)	1/2"-13 x 3" Long	J3172330
11	Gasket, Cylinder Head	1965-86	All	3.8L (6-232), 4.2L (6-258)		J3237756
12	Plug, Expansion	1972-76	All	3.8L (6-232), 4.2L (6-258)	7/8" Diameter	J3172319
13	Plug, Camshaft	1972-86	All	4.2L (6-258)	2-9/64" Diameter	J3172313
14	Dipstick Tube	1974-82	All	3.8L (6-232), 4.2L (6-258)		J3176846
15	Gasket, Intake & Exhaust Manifold	1965-86	All	3.8L (6-232), 4.2L (6-258)		J3242855
16	Gasket, Intake to Exhaust Manifold	1965-79	All	3.8L (6-232), 4.2L (6-258)		J3184277
17	Gasket, Oil Pan	1965-86	All	3.8L (6-232), 4.2L (6-258)	4-Piece	83504662
		1965-86	All	3.8L (6-232), 4.2L (6-258)	1-Piece	53007568
18	Seal, Oil Pan to Timing Cover	1965-86	All	3.8L (6-232), 4.2L (6-258)		J3172848
19	Oil Pan	1972-86	All	4.2L (6-258)	w/ Skid Plate Attached	J3243152
20	Plug, Oil Drain	1965-86	All	3.8L (6-232), 4.2L (6-258)	1/2"-20 Threads	J3206696
		1983-86		4.2L (6-258)	M14 x 1.25 Threads	83501425
21	Gasket, Oil Drain Plug	1965-86	All	3.8L (6-232), 4.2L (6-258)	Aluminum	J3170271
		1965-86	All	3.8L (6-232), 4.2L (6-258)	Copper	J3243136
22	Gasket, Oil Pump	1981-86	All	4.2L (6-258)		J3172332
23	Oil Pump	1965-80	All	3.8L (6-232), 4.2L (6-258)	Includes Inlet Tube and Gasket	J3181340
		1981-86	All	4.2L (6-258)	Includes Inlet Tube and Gasket	J3242141
24	Pick Up, Oil Pump	1965-80	All	3.8L (6-232), 4.2L (6-258)		J3181471
25	Oil Filter	1965-82	All	3.8L (6-232), 4.2L (6-258)		J8993146
		1983-86	All	3.8L (6-232), 4.2L (6-258)		J3242397
26	Mount, Engine	1965-71	All	3.8L (6-232), 4.2L (6-258)	Left or Right	J0939993
		1971-76	All	3.8L (6-232), 4.2L (6-258)	Left or Right	J3173681
		1977	All	3.8L (6-232), 4.2L (6-258)	L or R; Top and Bottom Plates Not Interlocked	J3173681
		1977	All	3.8L (6-232), 4.2L (6-258)	L or R; Top and Bottom Plates Interlocked	J8128488
		1978-86	All	3.8L (6-232), 4.2L (6-258)	Left or Right	J8128488
27	Mount, Transmission	1972-86	All	3.8L (6-232), 4.2L (6-258)	5-1/4" Long	J1370910
28	Stud, Transmission Insulator	1676-86	All	4.2L (6-258)	At Crossmember	J5358879
29	Engine Mount Kit	1977-86	All	4.2L (6-258)		8128488K
30	Gasket Set, Lower	1975-86	All	3.8L (6-232), 4.2L (6-258)		J8125722
31	Exhaust Manifold Kit	1972-74	All w/o Emissions Pump	3.8L (6-232), 4.2L (6-258)	Includes Manifold and Gaskets	8124999K
		1975-79	All	3.8L (6-232), 4.2L (6-258)	Includes Manifold and Gaskets	8124999K
32	Exhaust Manifold Kit	1980-86	All	4.2L (6-258)	Includes Manifold and Gaskets	3237427K

<sup>1</sup> = AMC Assembly Plant in Mexico

Continued on Next Page



# 3.8L (S6-232) and 4.2L (S6-258)

# Engine

Item #	Description	Years	Application	Engine	Comments	Replaces Part #
33	Nut, Rocker Arm Cover	1981-86	All w/o VAM Engine <sup>1</sup>	4.2L (6-258)	w/ Studded Rocker Arm Bridge	J4006926
34	Seal, Rocker Arm Cover	1981-86	All	4.2L (6-258)	w/ Plastic Valve Cover	J3237837
35	Bolt, Rocker Arm	1972-86	All	4.2L (6-258)	5/16"-18 x 1-3/8" Flanged Bolt	J8120512
36	Bridge, Rocker Arm Pivot	1980-86	All w/o VAM Engine <sup>1</sup>	4.2L (6-258)	2-Piece Style w/o Valve Cover Stud	J3236513
		1981-86	All w/o VAM Engine <sup>1</sup>	4.2L (6-258)	2-Piece Style w/ Valve Cover Stud	J3237851
37	Pivot, Rocker Arm	1972-79	All	3.8L (6-232), 4.2L (6-258)	Aluminum; 1-Piece Style	J3210178
		1980-86	All	4.2L (6-258)	Steel; 2-Piece Style	J3235090
38	Rocker Arm	1974-82	All	3.8L (6-232), 4.2L (6-258)	w/ Pivot Rocker Arms	J3223888
		1983-86	All	4.2L (6-258)		J3242393
39	Lock, Valve Spring Retainer	1965-66	All	3.8L (6-232)	Intake	J3156157
		1967-71	All	3.8L (6-232), 4.2L (6-258)	Intake	J3180458
		1965-71	All	3.8L (6-232), 4.2L (6-258)	Exhaust	J3156157
		1972	All w/ Shaft Rocker Arms	3.8L (6-232), 4.2L (6-258)	Intake	J3180458
		1972	All w/ Shaft Rocker Arms	3.8L (6-232), 4.2L (6-258)	Exhaust	J3156157
		1972	All w/ Pivot Rocker Arms	3.8L (6-232), 4.2L (6-258)	Intake or Exhaust	J3180458
		1973	All w/ Pivot Rocker Arms	3.8L (6-232), 4.2L (6-258)	Intake or Exhaust	J3156157
		1974-77	All w/ Valve Rotators	3.8L (6-232), 4.2L (6-258)	Exhaust	J8123287
		1974-80	All w/o Valve Rotators	3.8L (6-232), 4.2L (6-258)	Intake or Exhaust	J3156157
		1981-86	All w/o VAM Engine <sup>1</sup>	4.2L (6-258)	Intake or Exhaust	J3180458
		1981-86	All w/ VAM Engine <sup>1</sup>	4.2L (6-258)	Intake or Exhaust	J3156157
40	Spring, Valve	1977-86	All w/o VAM Engine <sup>1</sup>	3.8L (6-232), 4.2L (6-258)	Intake or Exhaust	J3228192
41	Seal, Valve	1965-86	All	3.8L (6-232), 4.2L (6-258)	Standard or .003" Oversized	J3218976
		1965-86	All	3.8L (6-232), 4.2L (6-258)	.015" Oversized	J3218977
42	Valve, Intake	1965-66	All	3.8L (6-232)	Standard	J3218732
		1973-80	All	3.8L (6-232), 4.2L (6-258)	Standard	J3218732
		1981-86	All w/o VAM Engine <sup>1</sup>	4.2L (6-258)	Standard	J3240768
		1981-86	All w/o VAM Engine <sup>1</sup>	4.2L (6-258)	.003"	J3240166
		1981-86	All w/o VAM Engine <sup>1</sup>	4.2L (6-258)	.015"	J3240167
43	Valve, Exhaust	1973	All	3.8L (6-232), 4.2L (6-258)	Standard	J3224597
		1974-80	All w/o Valve Rotators	3.8L (6-232), 4.2L (6-258)	Standard	J3224597
		1981-86	All w/o VAM Engine <sup>1</sup>	4.2L (6-258)	Standard	J3240767
		1981-86	All w/o VAM Engine <sup>1</sup>	4.2L (6-258)	.015"	J3240164
44	Lifter	1965-86	All	3.8L (6-232), 4.2L (6-258)		J3222276
45	Push Rod, Valve	1971	All	3.8L (6-232), 4.2L (6-258)	8.5:1 Compression Ratio	J3210203
		1972	CJ-5, 6, C101 Commando	3.8L (6-232), 4.2L (6-258)	8:1 Compression Ratio w/ Shaft Rocker Arms	J3210203
		1972	SJ, J-Series	3.8L (6-232), 4.2L (6-258)	8:1 Compression Ratio w/ Pivot Rocker Arms	J3214013
		1971	SJ, J-Series	3.8L (6-232), 4.2L (6-258)	8.5:1 Compression Ratio w/ Shaft Rocker Arms	J3210203
		1973	All	3.8L (6-232), 4.2L (6-258)	8.1:1 Compression Ratio	J3214013
		1974	All	3.8L (6-232), 4.2L (6-258)	w/ Shaft Rocker Arms	J3210203
		1974	All	3.8L (6-232), 4.2L (6-258)	w/ Pivot Rocker Arms	J3214013
		1975-76	All	3.8L (6-232), 4.2L (6-258)		J3214013
		1977	All	3.8L (6-232), 4.2L (6-258)	w/ Temp. Sender at Front of Head	J3214013
		1977-80	All	3.8L (6-232), 4.2L (6-258)	w/ Temp. Sender at Rear of Head	J3227329
		1981-86	All w/o VAM Engine <sup>1</sup>	4.2L (6-258)		J3242395
46	Chain, Timing	1965-86	All	3.8L (6-232), 4.2L (6-258)		J3240502
47	Sprocket, Camshaft	1965-86	All	3.8L (6-232), 4.2L (6-258)		J3206693
48	Sprocket, Crankshaft	1965-86	All	3.8L (6-232), 4.2L (6-258)		33004107

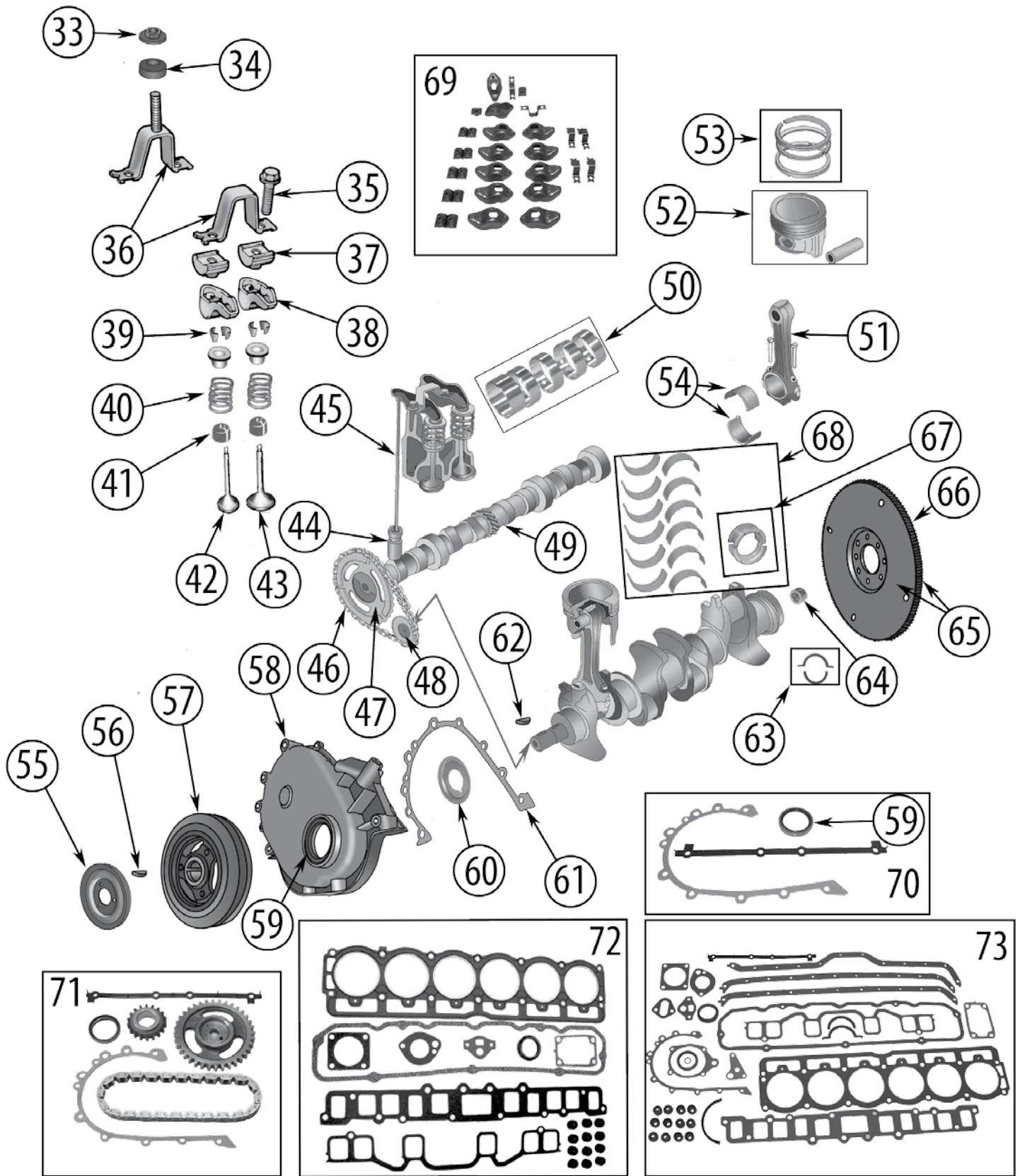
<sup>1</sup> = AMC Assembly Plant in Mexico

Continued on Next Page



# Engine

3.8L (S6-232) and 4.2L (S6-258)



# 3.8L (S6-232) and 4.2L (S6-258)

# Engine

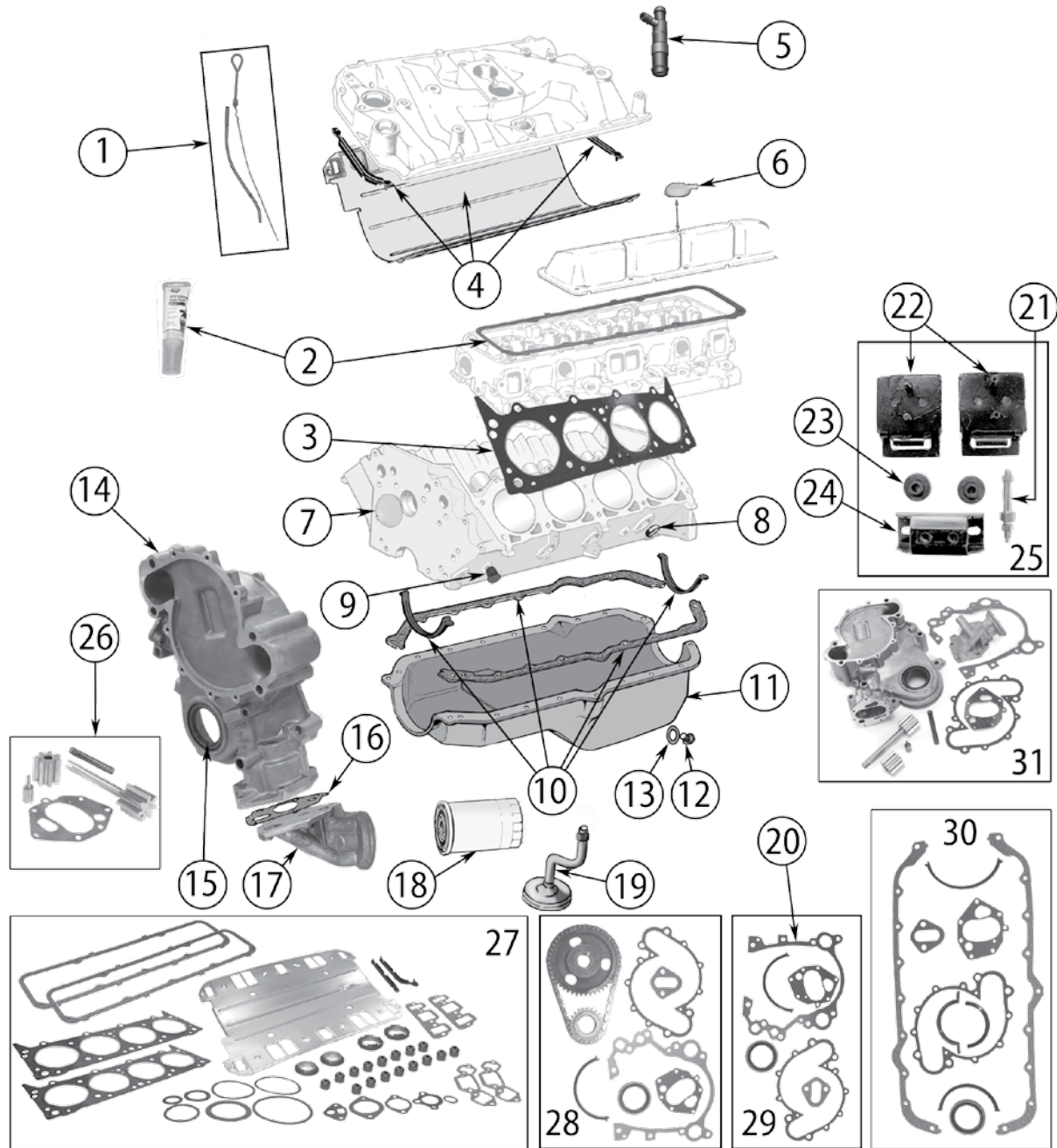
Item #	Description	Years	Application	Engine	Comments	Replaces Part #
49	Camshaft	1965-80	All	3.8L (6-232), 4.2L (6-258)		J8132907
		1981-86	All w/o VAM Engine <sup>1</sup>	4.2L (6-258)		J8133009
50	Bearing Set, Camshaft	1965-86	All	3.8L (6-232), 4.2L (6-258)	Standard; Set of 4	J3205711
		1965-86	All	3.8L (6-232), 4.2L (6-258)	.010"; Set of 4	J3208985
51	Rod, Connecting	1965-70	All	3.8L (6-232)	After Engine Build Code #710-L-21 & Before 307-E-20	J3237812
		1965-71	All	3.8L (6-232)	After Engine Build Code #307-E-20	J3173210
		1972-79	All	3.8L (6-232)		J3173210
		1971-86	All	4.2L (6-258)		J3237812
52	Piston	1968-70	All	3.8L (6-232), 4.2L (6-258)	Standard	J8127654
		1979-86	All	4.2L (6-258)	Standard	J8134441
53	Ring Set, Piston	1965-86	All	3.8L (6-232), 4.2L (6-258)	Standard; 1 Required	J8121683
		1965-86	All	3.8L (6-232), 4.2L (6-258)	.010"; 1 Required	J8121684
54	Bearing Set, Connecting Rod	1975-86	All	3.8L (6-232), 4.2L (6-258)	Standard; Set of 6	83500300K6
		1975-86	All	3.8L (6-232), 4.2L (6-258)	.010"; Set of 6	83500301K6
55	Pulley, Crankshaft	1981-86	All w/o Factory A/C	4.2L (6-258)		J3224690
56	Key, Harmonic Balancer	1975-86	All	4.2L (6-258)		J3107234
57	Harmonic Balancer	1975-86	All w/ V-Belt	4.2L (6-258)		J3225201
		1981-86	All w/ Serpentine Belt	4.2L (6-258)		J3242886
58	Timing Cover	1975-86	All	3.8L (6-232), 4.2L (6-258)		53020233
59	Seal, Crankshaft, Front	1965-86	All	3.8L (6-232), 4.2L (6-258)		J3224704
60	Oil Slinger, Crankshaft	1972-86	All	4.2L (6-258)	Front	J3173076
61	Gasket, Timing Cover	1965-86	All	3.8L (6-232), 4.2L (6-258)		J3225187
62	Key, Timing Sprocket	1966-86	All	3.8L (6-232), 4.2L (6-258)		J3107234
63	Seal Kit, Crankshaft	1965-86	All	3.8L (6-232), 4.2L (6-258)	Rear	4778126
64	Bushing, Crankshaft Pilot	1965-71	All w/ Manual Trans.	3.8L (6-232), 4.2L (6-258)	.753" ID; 1.061" OD; .747" Length	J3174730
		1972-75	CJ-5, 6, C104 Commando	3.8L (6-232), 4.2L (6-258)	.750" ID; 1.057" OD; .876" Length	J3213751
		1976-79	CJ-5, 7	3.8L (6-232), 4.2L (6-258)	.750" ID; 1.061" OD; .876" Length	J3222723
		1972-79	SJ, J-Series	3.8L (6-232), 4.2L (6-258)	.678" ID; 1.061" OD; .627" Length	J3222723
		1980-86	All	4.2L (6-258)	.601" ID; 1.061" OD; .627" Length	J3236726
65	Flexplate	1980-86	All w/ Automatic Trans.	4.2L (6-258)	Includes Flywheel; 164 Teeth	J3232138
66	Ring Gear, Flywheel	1965-71	All	3.8L (6-232), 4.2L (6-258)		J3172419
		1972-86	All	3.8L (6-232), 4.2L (6-258)		J3179741
67	Bearing, Crankshaft Thrust	1966-86	All	3.8L (6-232), 4.2L (6-258)	.001"; 1 Required	J8133681
		1966-86	All	3.8L (6-232), 4.2L (6-258)	.002"; 1 Required	J8133683
		1966-86	All	3.8L (6-232), 4.2L (6-258)	.010"; 1 Required	J8133255
68	Bearing Set, Crankshaft Main	1965-86	All	3.8L (6-232), 4.2L (6-258)	Standard; Full Set	8133252K6
		1965-86	All	3.8L (6-232), 4.2L (6-258)	.010"; Full Set	8133254K6
69	Rocker Arm Kit	1974-79	All	3.8L (6-232), 4.2L (6-258)	One-Piece Pivot Type Rocker Arms	3223888K
		1974-79	All	3.8L (6-232), 4.2L (6-258)	Two-Piece Pivot and Rocker Type Arms	3223888KL
		1983-86	All	4.2L (6-258)		3242393K
70	Gasket Set, Timing Case Cover	1965-86	All	3.8L (6-232), 4.2L (6-258)	Includes #s 18, 59, and 61	J8129097
71	Timing Chain Kit	1972-86	All	3.8L (6-232), 4.2L (6-258)		8126681K
72	Gasket Set, Upper	1971-72	All	3.8L (6-232), 4.2L (6-258)	w/ High Compression Engine	J8128190
		1973-85	All	3.8L (6-232), 4.2L (6-258)		J8128190
		1986	All	4.2L (6-258)		83502384
73	Overhaul Kit	1986	All	4.2L (6-258)	Includes #s 30 and 72	J8124691



5.0L (V8-304): 1971-1981 CJ-5, 6, 7, 8, C104 Commando

5.9L (V8-360): 1970-1991 SJ, J-Series

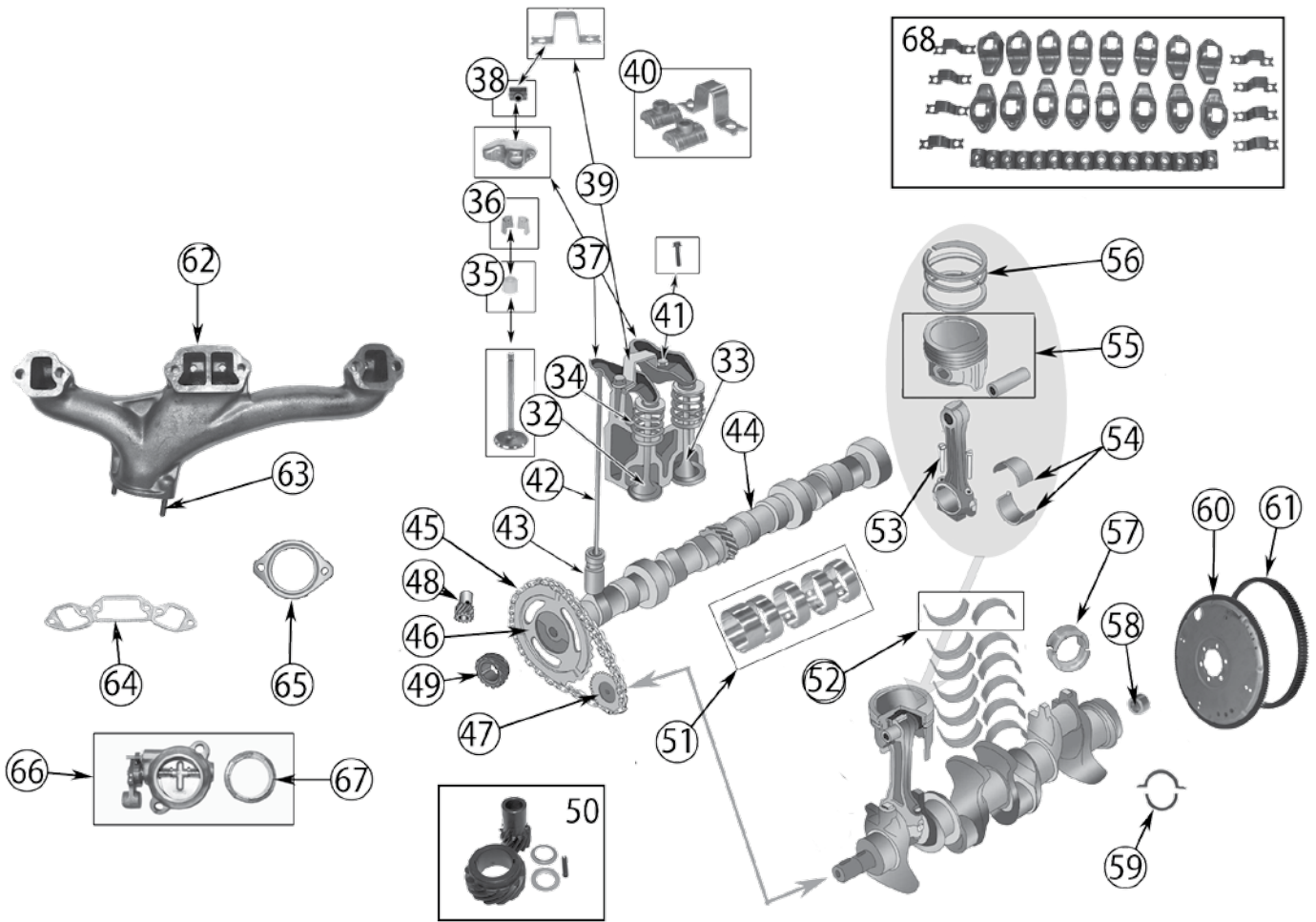
6.6L (V8-401): 1971-1979 SJ, J-Series



Item #	Description	Years	Engine	Comments	Replaces Part #
1	Dipstick Kit	1974-91	5.0L, 5.9L, 6.6L	Includes Dipstick and Tube	3190848K
2	Gasket, Valve Cover	1970-80 1981-91	5.0L, 5.9L, 6.6L 5.0L, 5.9L	Cork Use RTV Silicone	J3181291 J8993317
3	Gasket, Cylinder Head	1971-81 1970-91	5.0L 5.9L, 6.6L		J3197636 J3227352
4	Gasket and Seal Set, Intake Manifold	1970-91	5.0L, 5.9L, 6.6L		J8125869

Item #	Description	Years	Engine	Comments	Replaces Part #
5	PCV Valve	1970-78 1979-91	5.0L, 5.9L, 6.6L 5.0L, 5.9L, 6.6L		J3211538
6	Cap, Oil Filler	1970-91	5.0L, 5.9L, 6.6L		J3220248
7	Plug, Camshaft	1970-91	5.0L, 5.9L, 6.6L	2-9/64" Diameter	J3172313
8	Plug, Expansion	1970-91 1970-91	5.0L, 5.9L, 6.6L 5.0L, 5.9L	1-1/2" Diameter 1" Diameter	J3144641 J3178449
9	Plug, Water Jacket	1971-91	5.0L, 5.9L, 6.6L	2 Required, 1/4" NPT	G444618
10	Gasket Set, Oil Pan	1970-91	5.0L, 5.9L, 6.6L	Cork and Rubber Set; 4 Pieces	J3206690
11	Oil Pan	1970-91	5.0L, 5.9L, 6.6L		J3236322
12	Plug, Oil Pan	1970-91	5.0L, 5.9L, 6.6L	1/2"-20	J3206696
13	Gasket, Oil Drain Plug	1972-91 1972-91	5.0L, 5.9L 5.0L, 5.9L	Copper Aluminum	J3170271 J3243136
14	Timing Cover	1970-91	5.0L, 5.9L, 6.6L		J8129373
15	Seal, Crankshaft	1970-91	5.0L, 5.9L, 6.6L	Front	J3193613
16	Gasket, Oil Pump Cover	1971-91	5.0L, 5.9L		J3226241
17	Cover, Oil Pump	1970-86 1987-91	5.0L, 5.9L, 6.6L 5.9L		J3226242 33003536
18	Filter, Engine Oil	1972-81 1972-82 1983-86 1987-90 1991	5.0L 5.9L, 6.6L 5.9L 5.9L 5.9L	w/ SAE Threads w/ Metric Threads	J8993146 J8993146 J3242397 33004195 5281090
19	Tube and Screen, Oil Pickup	1970-91	5.0L, 5.9L, 6.6L		J3216049
20	Gasket, Timing Cover	1970-91	5.0L, 5.9L, 6.6L		J3180216
21	Stud, Insulator	1976-91	5.0L, 5.9L, 6.6L		J5358879
22	Mount, Engine	1970-91	5.0L, 5.9L, 6.6L	Left or Right	J3186107
23	Insulator, Transmission	1976-91	5.0L, 5.9L, 6.6L		J0945266
24	Mount, Transmission	1970-91	5.0L, 5.9L, 6.6L		J1370910
25	Mount Kit, Engine	1976-91	5.0L, 5.9L, 6.6L		3186107K
26	Repair Kit, Oil Pump	1970-91	5.0L, 5.9L, 6.6L	Includes Gear, Shaft, Plunger, Spring, and Gasket	3184086K
27	Gasket Set, Upper	1971-81 1973-91	5.0L 5.9L, 6.6L		J8128191 J8128192
28	Kit, Timing	1971-79 1979-91	5.0L, 5.9L, 6.6L 5.0L, 5.9L, 6.6L	w/ 5/8" Wide Sprockets w/ 1/2" Wide Sprockets	3185270K 3234433K
29	Gasket and Seal Kit, Timing	1970-91	5.0L, 5.9L, 6.6L		J8129098
30	Gasket Set, Lower	1970-91	5.0L, 5.9L, 6.6L		J8125727
31	Timing Cover Kit	1970-91	5.0L, 5.9L, 6.6L		8129373K

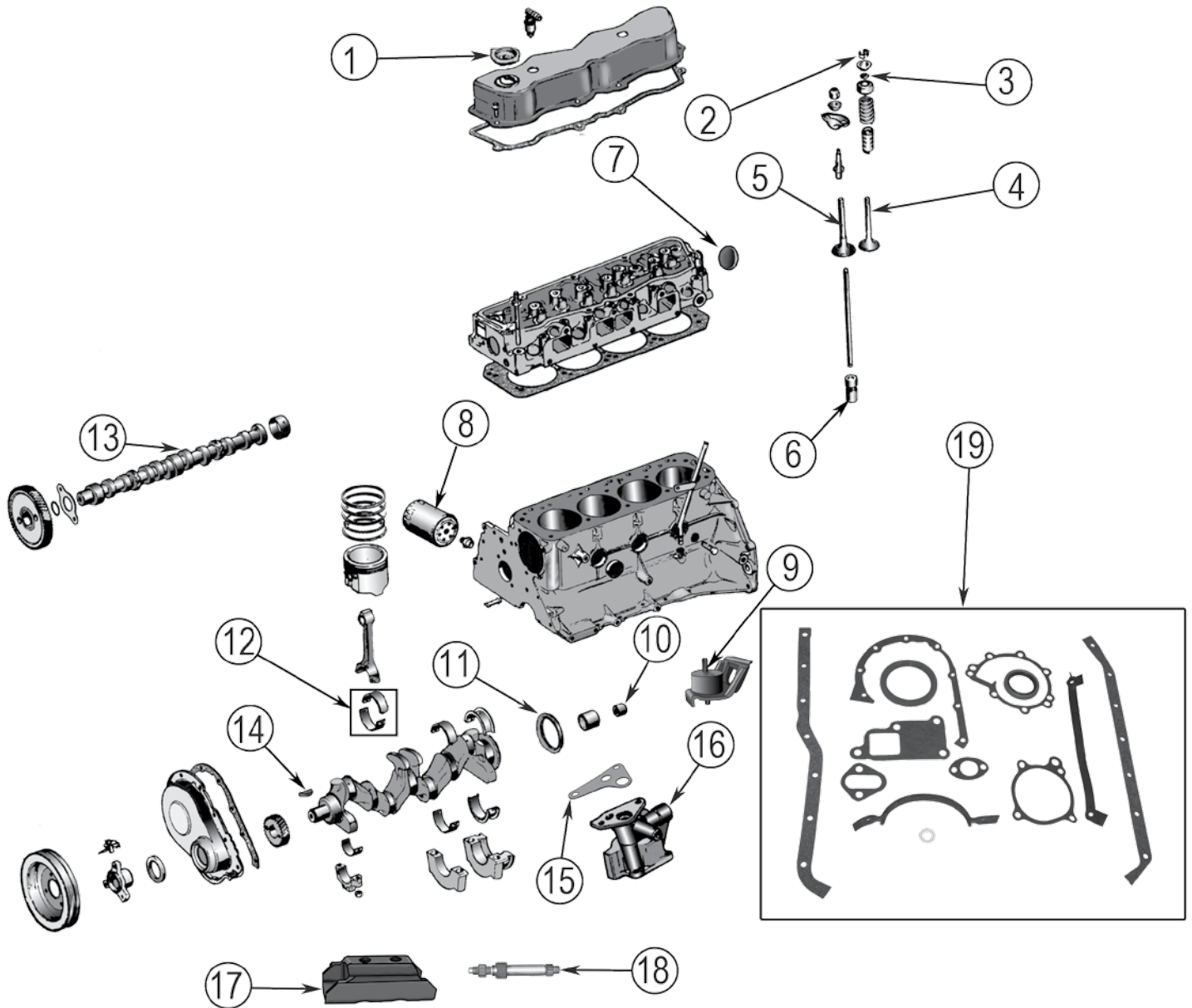
Continued on the Next Page



Item #	Description	Years	Engine	Comments	Replaces Part #
32	Valve, Intake	1971-72	5.9L	Standard	J3182585
		1973-80	5.0L	Standard	J3218732
		1973-91	5.9L	Standard	J3229657
		1974-79	6.6L	Standard	J3229657
		1981	5.0L	Standard	J3240768
33	Valve, Exhaust	1973-80	5.0L	Standard	J3224597
		1973-74	5.9L	Standard	J3218731
		1974	6.6L	Standard	J3218731
		1975-91	5.9L, 6.6L	Standard	J3224598
		1981	5.0L	Standard	J3240767
34	Spring, Valve	1970-77	5.0L, 5.9L, 6.6L		J3213609
		1978-91	5.0L, 5.9L, 6.6L		J3228192
35	Seal, Valve	1973-91	5.0L, 5.9L, 6.6L	Standard or .003"	J3218976
		1973-91	5.0L, 5.9L, 6.6L	.015"	J3218977
36	Lock, Valve Retainer	1971-72	5.0L		J3180458
		1970-74	5.9L, 6.6L	Intake	J3156157
		1970-74	5.9L, 6.6L	Exhaust	J8123287
		1973-80	5.0L		J3156157
		1975-91	5.9L, 6.6L		J3156157
		1981	5.0L		J3180458
37	Rocker Arm	1973-81	5.0L		J3210177
		1974-91	5.9L, 6.6L		J3210177

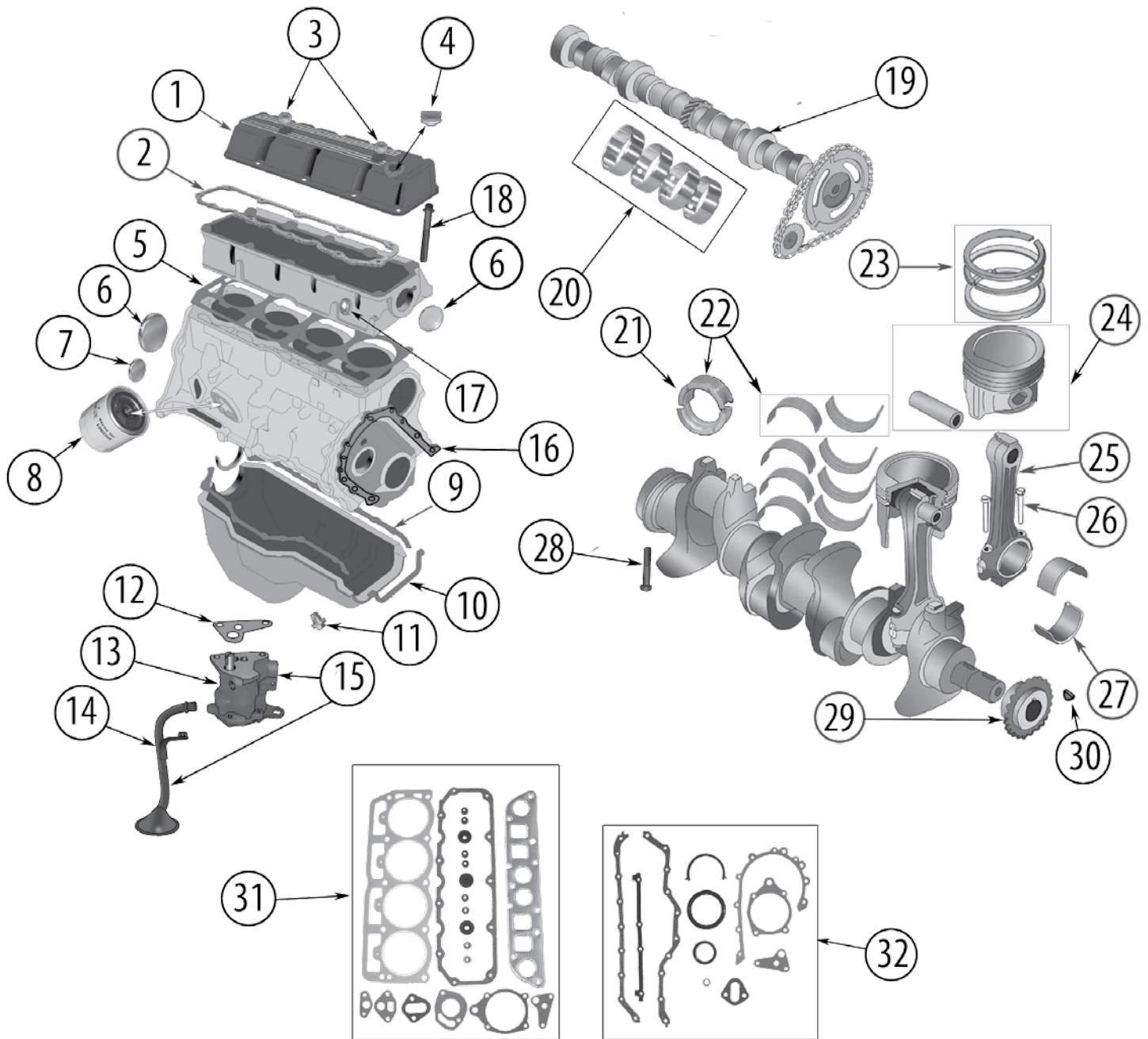
Item #	Description	Years	Engine	Comments	Replaces Part #
38	Pivot, Rocker Arm	1970-79	5.0L, 5.9L, 6.6L	Aluminum	J3210178
		1980-91	5.0L, 5.9L	Steel	J3235090
39	Bridge, Rocker Arm Pivot	1980-91	5.0L, 5.9L		J3236513
40	Rocker Arm Pivot Kit	1980-91	5.0L, 5.9L	Includes 2 Steel Pivots and 1 Bridge	3236513K
41	Bolt, Rocker Arm Pivot	1970-91	5.0L, 5.9L, 6.6L		J8120512
42	Push Rod	1970-91	5.0L, 5.9L, 6.6L		J3214014
43	Lifter	1970-91	5.0L, 5.9L, 6.6L		J3222276
44	Camshaft	1970-91	5.0L, 5.9L, 6.6L		J8121156
45	Chain Timing	1970-79	5.0L, 5.9L, 6.6L	5/8" Wide	J8134343
		1971-91	5.0L, 5.9L, 6.6L	Double-Roller	J8126682
		1979-91	5.0L, 5.9L, 6.6L	1/2" Wide	J3234433
46	Sprocket, Crankshaft	1970-79	5.0L, 5.9L, 6.6L	w/ 5/8" Wide Chain	J3223199
		1979-91	5.0L, 5.9L, 6.6L	w/ 1/2" Wide Chain	J3234235
47	Sprocket, Camshaft	1970-79	5.0L, 5.9L, 6.6L	w/ 5/8" Wide Chain	J3197138
		1979-91	5.0L, 5.9L, 6.6L	w/ 1/2" Wide Chain	J3234234
48	Gear, Distributor	1970-91	5.0L, 5.9L, 6.6L		J3208615
49	Gear, Camshaft	1970-91	5.0L, 5.9L, 6.6L		J4486635
50	Distributor Gear Kit	1970-91	5.0L, 5.9L, 6.6L		4486635K
51	Bearing Set, Camshaft	1970-91	5.0L, 5.9L, 6.6L	Standard; Set of 5	J4486286
52	Main Bearing, Crankshaft	1970-91	5.0L, 5.9L, 6.6L	Standard; 4 Required	J8125928*
53	Bolt, Connecting Rod	1970-91	5.0L, 5.9L, 6.6L	Includes Nut	J4486626
54	Bearing, Connecting Rod	1970-91	5.0L, 5.9L	Standard; 8 Required	83500300
		1970-91	5.0L, 5.9L	.010"; 8 Required	83500301
55	Piston and Pin	1971-81	5.0L	Standard; 8 Required	J4487564
56	Ring Set, Piston	1971-81	5.0L	Standard; For 8 Pistons	J8121685
		1970-91	5.9L	Standard; For 8 Pistons	J3208066
		1970-91	5.9L	.010"; For 8 Pistons	J3208067
57	Thrust Bearing, Crankshaft	1970-91	5.0L, 5.9L, 6.6L	Standard; 1 Required	J8125933*
58	Bearing, Crankshaft Pilot	1970-71	5.0L, 5.9L, 6.6L		J3174730
		1972-75	5.0L		J3213751
		1976-79	5.0L		J3222723
		1972-79	5.9L, 6.6L		J3213751
		1980-86	5.0L, 5.9L		J3236726
59	Seal Kit, Crankshaft	1970-91	5.0L, 5.9L, 6.6L	Rear	J3206691
60	Plate, Converter Drive	1975-81	5.0L	w/ Automatic Transmission; 164 Teeth	J5351821
		1975-83	5.9L	w/ 727 Automatic Transmission	J3232139
		1984-87	5.9L		J3232139
61	Ring Gear, Flywheel	1970-86	5.0L, 5.9L, 6.6L		J3179741
62	Manifold, Exhaust	1972-79	5.0L, 5.9L, 6.6L	Left	J8122442
		1972-91	5.0L, 5.9L, 6.6L	Right	J8121274
		1980-81	5.0L	Left	J8122442
63	Stud, Exhaust Manifold	1972-91	5.0L, 5.9L, 6.6L	Right; 2 Required	J4004109
		1972-91	5.0L, 5.9L, 6.6L	Left; 2 Required	J4004110
64	Gasket, Exhaust Manifold to Cylinder Head	1970-91	5.0L, 5.9L, 6.6L	Left or Right	J3237270
65	Gasket, Exhaust Manifold to Damper	1975-91	5.0L, 5.9L, 6.6L		J5353073
66	Damper Kit, Exhaust	1975-91	5.0L, 5.9L, 6.6L		J3238998
67	Seal, Exhaust	1971-91	5.0L, 5.9L, 6.6L		83300051
68	Rocker Arm Kit	1980-81	5.0L, 5.9L	Includes 16 Rocker Arms, 16 Pivots, and 8 Bridges	3223539KL

\*Not Currently Available



Item #	Description	Comments	Replaces Part #
1	Cap, Oil Filler		J8132312
2	Lock, Valve Spring	2 Required Per Valve	J8123287
3	Seal, Valve	Intake or Exhaust	J8132233
4	Valve, Intake	Standard	J8132227
5	Valve, Exhaust	Standard	J8132229
6	Lifter		J8136656
7	Plug, Camshaft	2-9/64" Diameter	J3172313
8	Filter, Engine Oil		J8132313
9	Mount, Engine	Left or Right	J5361829
10	Bushing, Crankshaft Pilot		J3752487
11	Seal, Crankshaft	Rear	33004143
12	Bearing Set, Connecting Rod	Standard; Set of 4 .010"; Set of 4	83500300K4 83500301K4
13	Camshaft		J8132249
14	Woodruff Key, Timing Sprocket		J3107002
15	Gasket, Oil Pump		J3172332
16	Pump, Oil		J8132303
17	Mount, Transmission	Overall Length 5-1/4"	J1370910
18	Stud, Transmission Insulator		J5358879
19	Gasket Set, Lower		J8132202
20	Gasket Set, Upper	No Image Available	J8132203

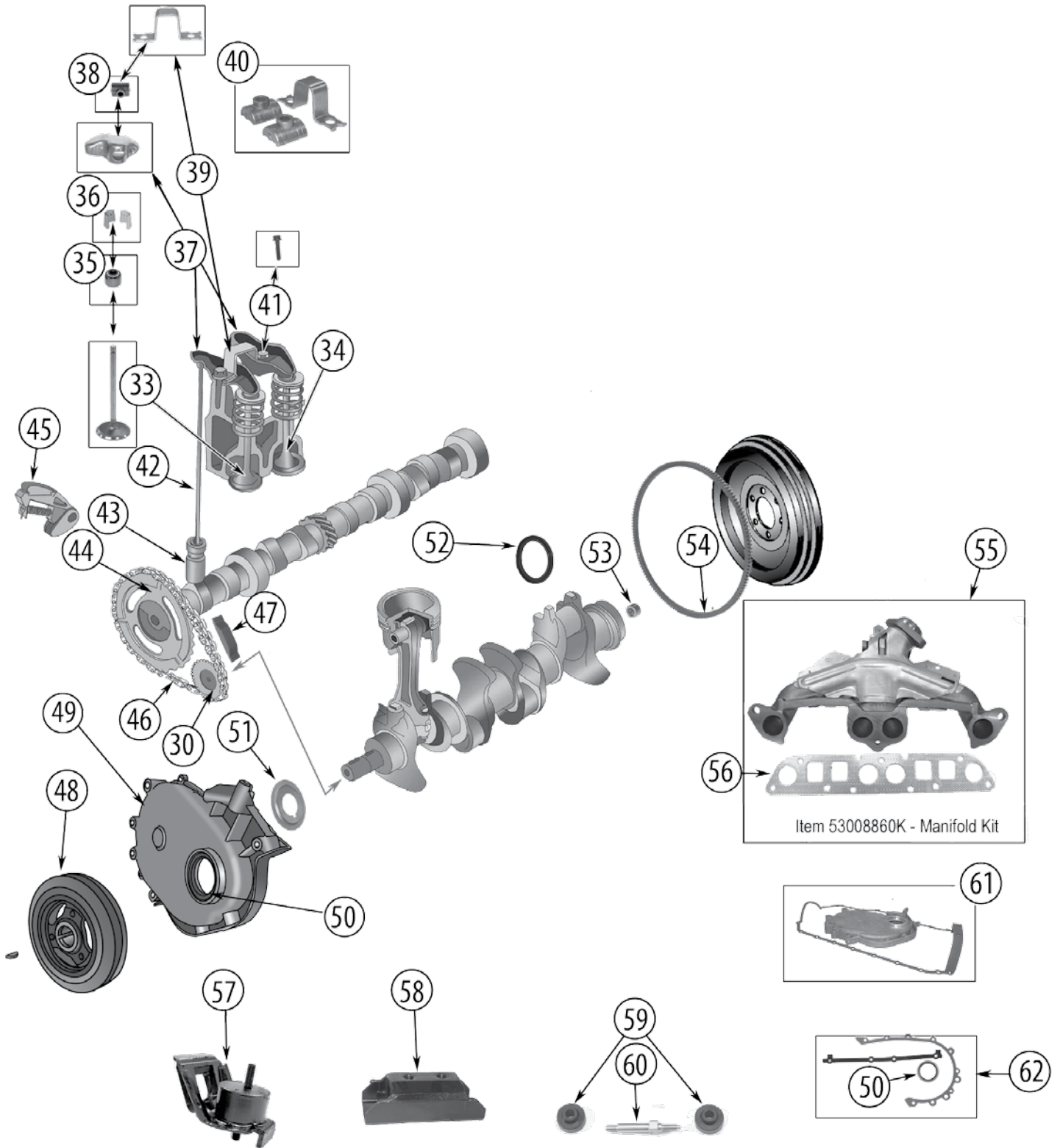




Item #	Description	Comments	Replaces Part #
1	Valve Cover		33003857
2	Gasket, Valve Cover		J3241731
3	Grommet, Valve Cover	.72" ID .45" ID	J8134400 33001237
4	Cap, Oil Filler		33001016
5	Gasket, Cylinder Head		53009549AB

Item #	Description	Comments	Replaces Part #
6	Plug, Expansion	2" Diameter	J3105394
7	Plug, Camshaft	2-9/16" Diameter	J3172313
8	Filter, Engine Oil		J8132313
9	Gasket, Oil Pan	4-Piece Cork and Rubber 1-Piece	83504661 4713021
10	Gasket, Engine Oil Pan	Oil Pan to Timing Cover	J3172848
11	Plug, Oil Pan		83501425
12	Gasket, Oil Pump		J3172332
13	Pump, Oil	1983-85; Tube Not Included 1986	J3241399 J3243102
14	Oil Pickup Tube		J3243111
15	Oil Pump Kit	Includes Pickup Tube, Pump, and Gasket	J3241602
16	Gasket, Timing Cover		J3225187
17	Plug, Expansion	7/8" Diameter	J3172319
18	Bolt, Crankshaft Main Bearing Cap	1/2" x 3"	J4006948
19	Camshaft		83500249
20	Bearing Set, Camshaft	Standard; Set of 4 .010"; Set of 4	J3205711 J3208985
21	Thrust Bearing, Crankshaft	Standard; 1 Required .010" Undersized; 1 Required .001" Undersized; 1 Required .002" Undersized; 1 Required	J8133253 J8133255 J8133681 J8133683
22	Bearing Set, Crankshaft Main	Standard; Set of 4	8133252K4
23	Ring Set, Piston	Standard; 4 Required .010"; 4 Required Standard, Set of 4	83500210 83500211 83500210K4
24	Piston and Pin	Standard; 4 Required .010" Oversized; 4 Required	83500251 83500252
25	Rod, Connecting		53020126
26	Bolt, Connecting Rod	Includes Nut	J4486626
27	Bearing, Connecting Rod Set	Standard; Set of 4 .010"; Set of 4	83500300K4 83500301K4
28	Bolt, Cylinder Head	1/2"-13 x 3.7"	6305514
29	Sprocket, Crankshaft		33004020
30	Key, Woodruff	For Timing Sprocket	J3107002
31	Gasket Set, Upper		83504346
32	Gasket Set, Lower		83504647

Continued on the Next Page



Item #	Description	Comments	Replaces Part #
33	Valve, Intake	Standard	J3242659
34	Valve, Exhaust	Standard .003"	33002429 83502491
35	Seal, Valve	Intake; Standard Exhaust; Standard	53009886 53009887
36	Lock, Valve Retainer	2 Required Per Valve	J3242664
37	Rocker Arm		J3242393
38	Pivot, Rocker Arm		J3235090
39	Bridge, Rocker Arm Pivot		J3236513
40	Pivot Kit	Includes 1 Pivot and 1 Bridge	3236513K
41	Bolt, Rocker Arm Pivot		J8120512
42	Push Rod		J3241709
43	Tappet (Lifter)		J3222276
44	Sprocket, Camshaft		J3242280
45	Tensioner, Timing Chain		33003421
46	Chain, Timing		J3242300
47	Guide, Timing Chain		33003446
48	Damper, Crankshaft	w/ Serpentine Belt Drive	J3242886
49	Timing Cover		53020233
50	Seal, Crankshaft	Front	J3224704
51	Slinger, Front Crankshaft Oil		J3173076
52	Seal, Crankshaft	Rear	33004143
53	Bearing, Crankshaft Pilot	w/ Manual Transmission	J3250005
54	Ring Gear, Flywheel		J3241718
55	Manifold Kit, Exhaust	Includes Manifold w/ Heat Shield, Manifold Gasket, EGR Block-Off Plate and EGR Gasket	53008860K
56	Gasket, Intake and Exhaust Manifold		J3242854
57	Mount, Engine	Left or Right	J5361829
58	Mount, Transmission		J1370910
59	Insulator, Transmission		J0945266
60	Insulator Stud, Transmission		J5358879
61	Timing Cover Kit	Includes Item #s 9, 49	4720221
62	Gasket and Seal Kit, Timing	Includes Item #s 10, 16, 50	J8129097

## S6-226 Super Hurricane

1957-1964 FC-170  
 1954-1962 Willys Pickup  
 1954-1963 Willys Sedan Delivery  
 1954-1964 Willys Station Wagon



Item #	Description	Comments	Replaces Part #
1	Mount, Engine	Left or Right	J8136614
2	Draincock, Engine		JA001126
3	Bushing, Crankshaft Pilot		J0729521 *
4	Ring Gear, Flywheel	130 Teeth	J0733395
5	Lock, Valve Spring		J3242664
6	Hose, Oil Filter	Inlet or Outlet	J0910290
7	Seal, Crankshaft, Front		J0939734
8	Ring Set, Piston	Standard	J0916688

\*Not Currently Available

## V6-225 Buick Dauntless

1966-1971 CJ-5, 6  
 1966-1971 C101 Commando



Item #	Description	Comments	Replaces Part #
1	Mount, Engine	Left Right	J1371313 J1369788
2	Draincock, Engine		JA001126
3	Bushing, Crankshaft Pilot		J3752487
4	Rocker Arm	Left or Right	J1194143
5	Filter, Engine Oil		J8993146

## S6-230 Tornado

1962-1965 Willys Pickup  
1963-1964 SJ, J-Series



Item #	Description	Comments	Replaces Part #
1	Mount, Engine	Left or Right	J0939993
2	Draincock, Engine		JA001126
3	Ring Gear, Flywheel	158 Teeth	J0930684 *
4	Gasket, Cylinder Head		J0945519
5	Valve, Exhaust	Standard	938192
	Valve, Intake	Standard	J0936979
6	Lock, Valve Spring		J3242664
7	Seal, Crankshaft, Front		J0939734
8	Sprocket, Camshaft		926157
9	Filter, Engine Oil		J8993146

\*Not Currently Available

## AMC V8-327

65/67 SJ, J-Series



Item #	Description	Comments	Replaces Part #
1	Mount, Engine	Left or Right	J3176909
2	Cap, Oil		J3174215
3	Ring Gear, Flywheel	176 Teeth	J3144492
4	Valve, Intake	Standard	J3218732
5	Tappet (Lifter)		J3222276
6	Push Rod		J3161258
7	Chain, Timing		J8134343
8	Sprocket, Crankshaft		J3223199
9	Filter, Engine Oil		J8993146



## Buick V8-350

1968-1971 SJ, J-Series



1



2



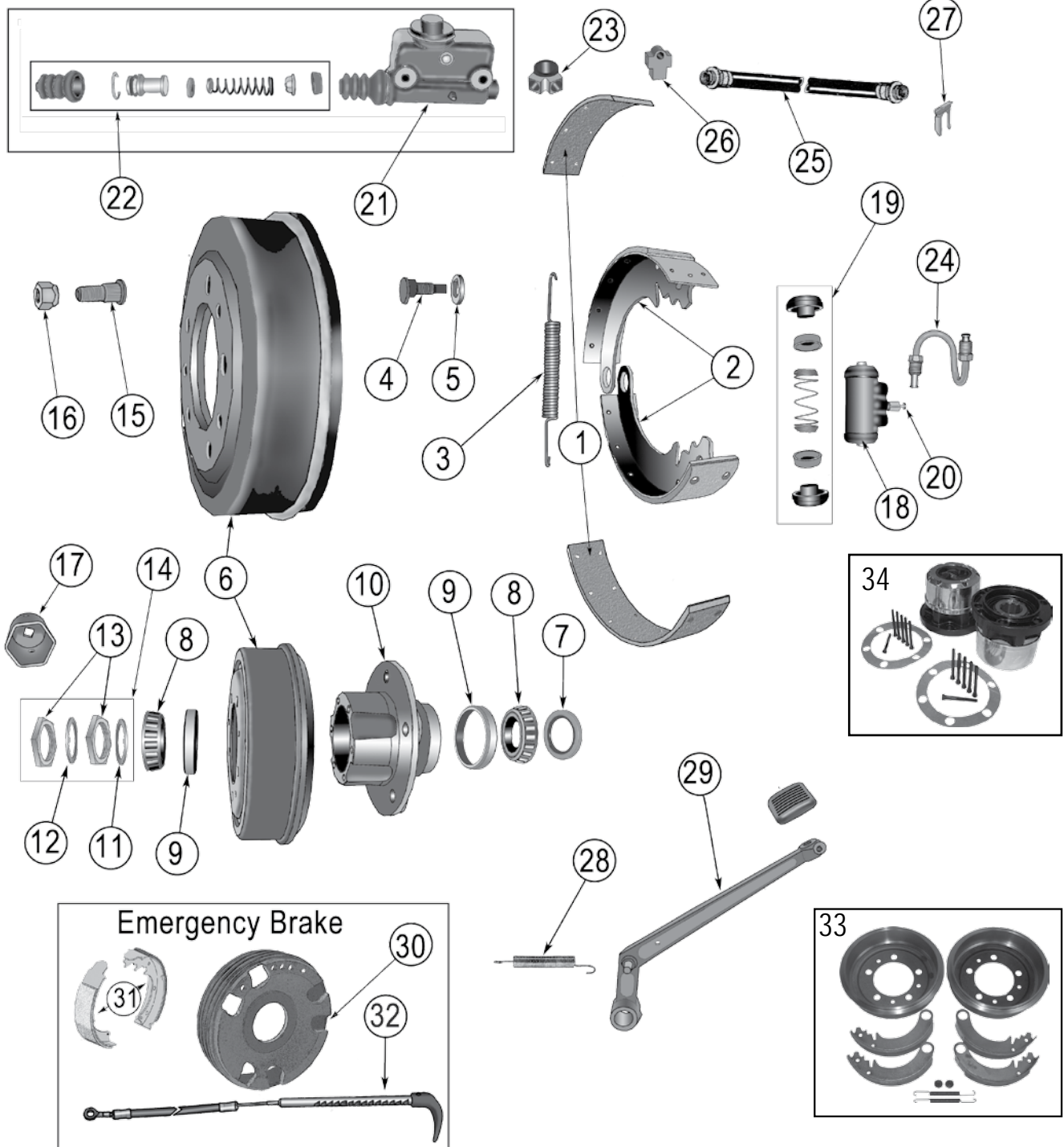
3

Item #	Description	Comments	Replaces Part #
1	Cap, Oil		J8132312
2	Bushing, Crankshaft Pilot		J3752487
3	Filter, Engine Oil		J8993146

MB (1941-1945) . . . . .	9-2
M38 (1950-1952) . . . . .	9-4
M38-A1 (1952-1963) . . . . .	9-4
CJ-2A (1945-1949) . . . . .	9-6
CJ-3A (1948-1953) . . . . .	9-8
CJ-3B (1953-1968) . . . . .	9-10
CJ-5 (1955-1983) . . . . .	9-12
CJ-6 (1955-1975) . . . . .	9-12
CJ-7 (1976-1986) . . . . .	9-20
CJ-8 (1981-1986) . . . . .	9-20
FC-150 (1956-1964) . . . . .	9-28
FC-170 (1957-1964) . . . . .	9-28
C101 Commando (1966-1971) . . . . .	9-30
C104 Commando (1972-1973) . . . . .	9-30
Willys Pickup (1947-1965) . . . . .	9-32
Willys Sedan Delivery (1948-1963) . . . . .	9-32
Willys Station Wagon (1946-1964) . . . . .	9-32
VJ Jeepster (1948-1950) . . . . .	9-32
SJ, J-Series (1963-1991) . . . . .	9-34
J-Series Pickups (1963-1988) . . . . .	9-34



9" x 13/4" Brakes - Eccentric Adjusting Type



Item #	Description	Location	Comments	Replaces Part #
<b>FRONT AND REAR DRUM BRAKES</b>				
1	Lining Set	Front or Rear	Includes 4 Shoe Linings and 40 Rivets	116600
2	Shoe and Lining Set	Front or Rear		J0642967
3	Spring, Shoe Return	Front or Rear	Upper	J0637905
4	Eccentric, Brake Shoe	Front or Rear	2 Required Per Wheel	A754
5	Cam, Anchor	Front or Rear	2 Required Per Wheel	637900
6	Drum	Front or Rear	Mounts Inside Hub	A-472*

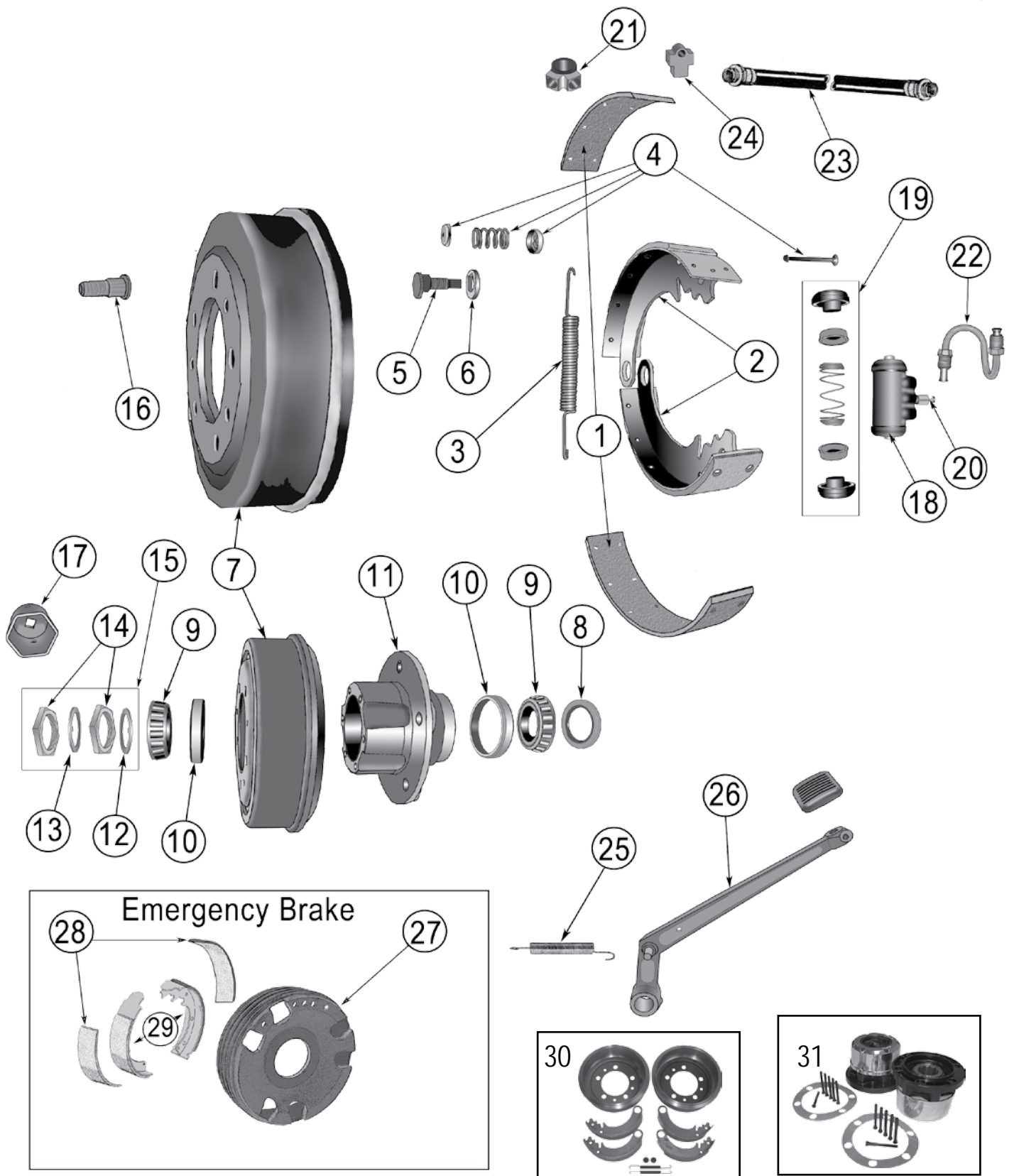
Item #	Description	Location	Comments	Replaces Part #
<b>HUBS, ETC.</b>				
7	Seal, Hub	Front Rear		J0805150 J0805150
8	Bearing, Wheel	Front Inner or Outer		J0052942
9	Cup, Wheel Bearing	Front Inner or Outer Rear Inner or Outer		J0052943 J0052943
10	Hub	Front Rear Inner or Outer		J0909548 J0909548
11	Lock Washer, Wheel Bearing	Front Inner		JA000865
12	Lock Washer, Wheel Bearing	Front Outer		JA000867
13	Nut, Axle Bearing	Front	2 Required Per Wheel	JA000866
14	Axle Nut Kit	Front	Includes #s 11, 12, 13	A867K
15	Stud, Hub	Front Front Rear Rear	Left Hand Threads Right Hand Threads Left Hand Threads Right Hand Threads	JA000473 A474 JA000473 A474
16	Wheel Nut	Front or Rear Front or Rear	Right Hand Threads Left Hand Threads; 1/2"-20; 13/16" Hex	JA000476 J0636035
17	Socket, Spindle Nut			A692N
<b>HYDRAULICS</b>				
18	Wheel Cylinder	Front Left or Right Rear Left or Right	1" Bore 3/4" Bore	JA001484 J8126797
19	Repair Kit, Wheel Cylinder	Front Left or Right Rear Left or Right	For 1" Bore Wheel Cylinders For 3/4" Bore Wheel Cylinders	J0115962 J8136601
20	Bleeder Screw	Front or Rear		J0643841
21	Master Cylinder		1 Hole Threaded, 1 Hole Unthreaded	A556
22	Repair Kit, Master Cylinder			805654
23	Y-Fitting, Master Cylinder			JA000557
<b>HOSES</b>				
24	Tube, Brake	Front	"5"	JA001488
25	Brake Hose	Front Left or Right Front Center Rear Center	6" Long; Axle to Knuckle 11" Long; Frame to Axle 16" Long; Frame to Axle	J0800953 J0800896 J0937884
26	Brake Tee	Front or Rear	Mounts to Axle	J0637432
27	Clip, Brake Hose	Front or Rear		J0637427
<b>MISCELLANEOUS</b>				
28	Spring, Brake Pedal Return		w/ Single Reservoir Master Cylinder	J0641723
29	Brake Pedal Assembly		w/ Single Reservoir Master Cylinder	J0800527*
<b>EMERGENCY BRAKE</b>				
30	Drum, Emergency Brake		w/ Bendix Style Shoes	A9332
31	Shoe Set, Emergency Brake		w/ Bendix Style Shoes	J0643055
32	Cable and Handle, Emergency Brake		Features a Green Handle	A1242
<b>CROWN KITS</b>				
33	Drum Service Kit	Front or Rear	Includes Drums, Shoe Set, Linings and Hardware for 2 Wheels	808770KE
34	Manual Locking Hub Set	Front		400501

\* Not Currently Available

# Brake

## 1950-1952 M38, 1952-1963 M38-A1

9" x 13/4" Brakes - Eccentric Adjusting Type



# 1950-1952 M38, 1952-1963 M38-A1

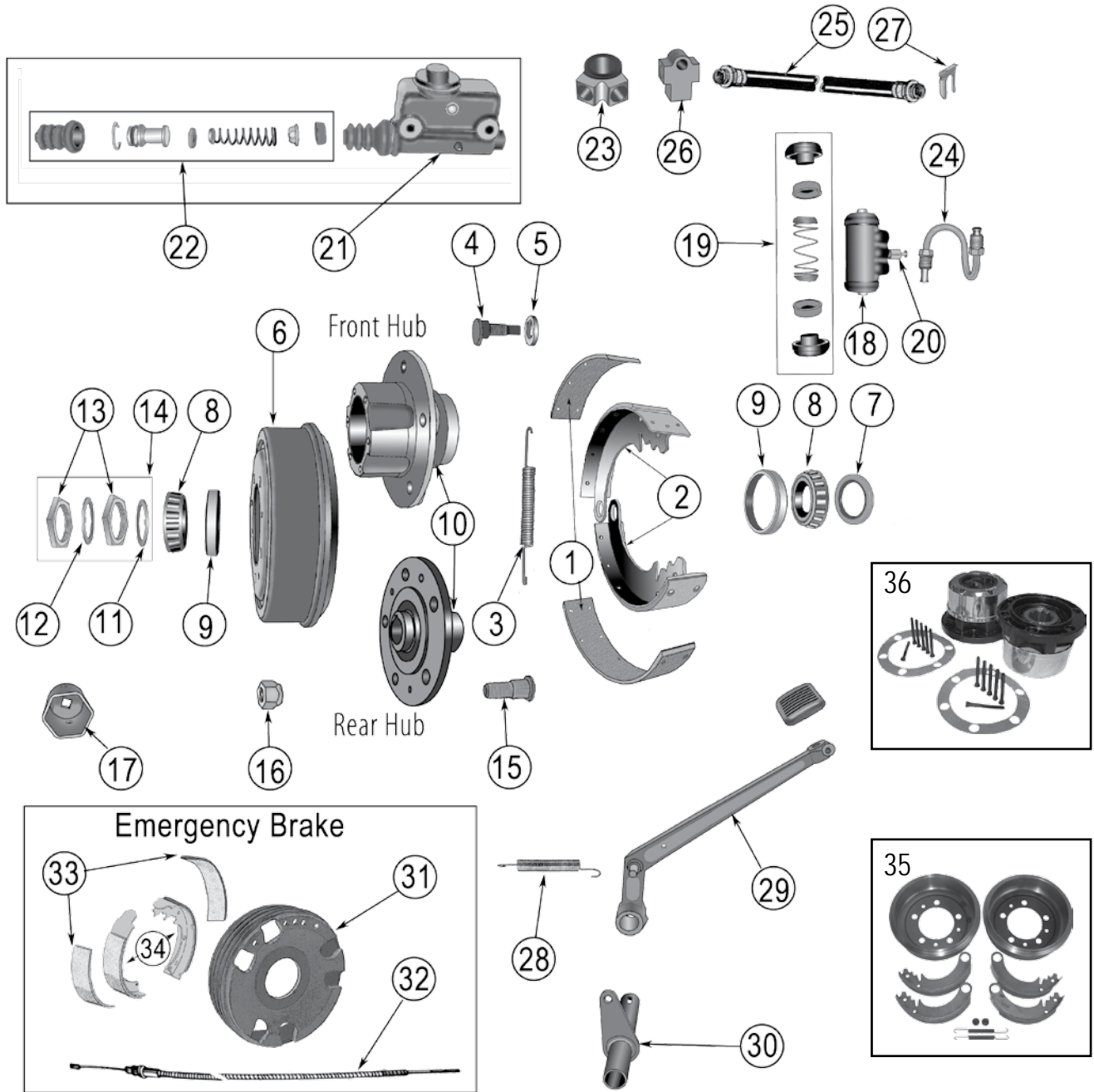
# Brake

Item #	Description	Application	Location	Comments	Replaces Part #
<b>FRONT AND REAR DRUM BRAKES</b>					
1	Lining Set	All	Front or Rear	Includes 4 Shoe Linings and 40 Rivets	116600
2	Shoe and Lining Set	M38	Front or Rear		J0642967
		M38-A1	Front or Rear		J0807376
3	Spring, Shoe Return	M38-A1	Front or Rear	Lower	J0805602
		All	Front or Rear	Upper	J0637905
4	Hold Down Kit, Brake Shoe	M38-A1	Front or Rear	For 1 Wheel	J0120239
5	Eccentric, Brake Shoe	M38	Front or Rear	2 Required Per Wheel	A754
		M38-A1	Front or Rear	2 Required Per Wheel	J0805592
6	Cam, Anchor	All	Front or Rear	2 Required Per Wheel	637900
7	Drum	M38	Front or Rear	Mounts Inside Hub	A-472*
		M38-A1	Front or Rear	Mounts Outside of Hub	J0808770
<b>HUBS, ETC.</b>					
8	Seal, Hub	All	Front		J0805150
9	Bearing, Wheel	All	Front Inner or Outer		J0052942
10	Cup, Wheel Bearing	All	Front Inner or Outer		J0052943
11	Hub	All	Front		J0909548
12	Lock Washer, Wheel Bearing	All	Front Inner		JA000865
13	Lock Washer, Wheel Bearing	All	Front Outer		JA000867
14	Nut, Axle Bearing	All	Front	2 Required Per Wheel	JA000866
15	Axle Nut Kit	All	Front	Includes #12, 13, and 14	A867K
16	Stud, Hub	All	Front or Rear	Left Hand Threads	JA000473
		All	Front or Rear	Right Hand Threads	J5353025
17	Socket, Spindle Nut	All			A692N
<b>HYDRAULICS</b>					
18	Wheel Cylinder	M38	Front Left or Right	1" Bore	JA001484
		M38-A1	Front Left or Right	w/ Straight Hose Connections; 1" Bore	J8126743
		M38	Rear Left or Right	3/4" Bore	J8126797
		M38-A1	Rear Left or Right	3/4" Bore	J8126798
19	Repair Kit, Wheel Cylinder	All	Front	1" Bore	J0115962
		All	Rear	3/4" Bore	J8136601
20	Bleeder Screw, Wheel Cylinder	All	Front or Rear		J0643841
21	Y-Fitting, Master Cylinder	All			JA000557
<b>HOSES</b>					
22	Tube, Brake	All	Front	"5"	JA001488
23	Brake Hose	All	Front Left or Right	Axle to Knuckle; 6" Long	J0800953
		All	Front Center	Frame to Axle; 11" Long	J0800896
		All	Rear Center	Frame to Axle; 16" Long	J0937884
24	Brake Tee	All	Front or Rear	Mounts to Axle	J0637432
<b>MISCELLANEOUS</b>					
25	Spring, Brake Pedal Return	All		w/ Single Reservoir Master Cylinder	J0641723
26	Brake Pedal Assembly	All		w/ Single Reservoir Master Cylinder	J0800527*
<b>EMERGENCY BRAKE</b>					
27	Drum, Emergency Brake	M38		w/ Bendix Style Shoes	A9332
28	Lining Kit, Emergency Brake	All			116712*
29	Shoe Set, Emergency Brake	M38		w/ Bendix Style Shoes	J0643055
<b>CROWN KITS</b>					
30	Drum Service Kit	M38		Includes Drums, Shoe Set and Hardware for 2 Wheels	808770KE
		M38-A1		Includes Drums, Shoe Set and Hardware for 2 Wheels	808770KL
31	Manual Locking Hub Set	All			400501

\* Not Currently Available



9" x 1-3/4" Brakes - Eccentric Adjusting Type

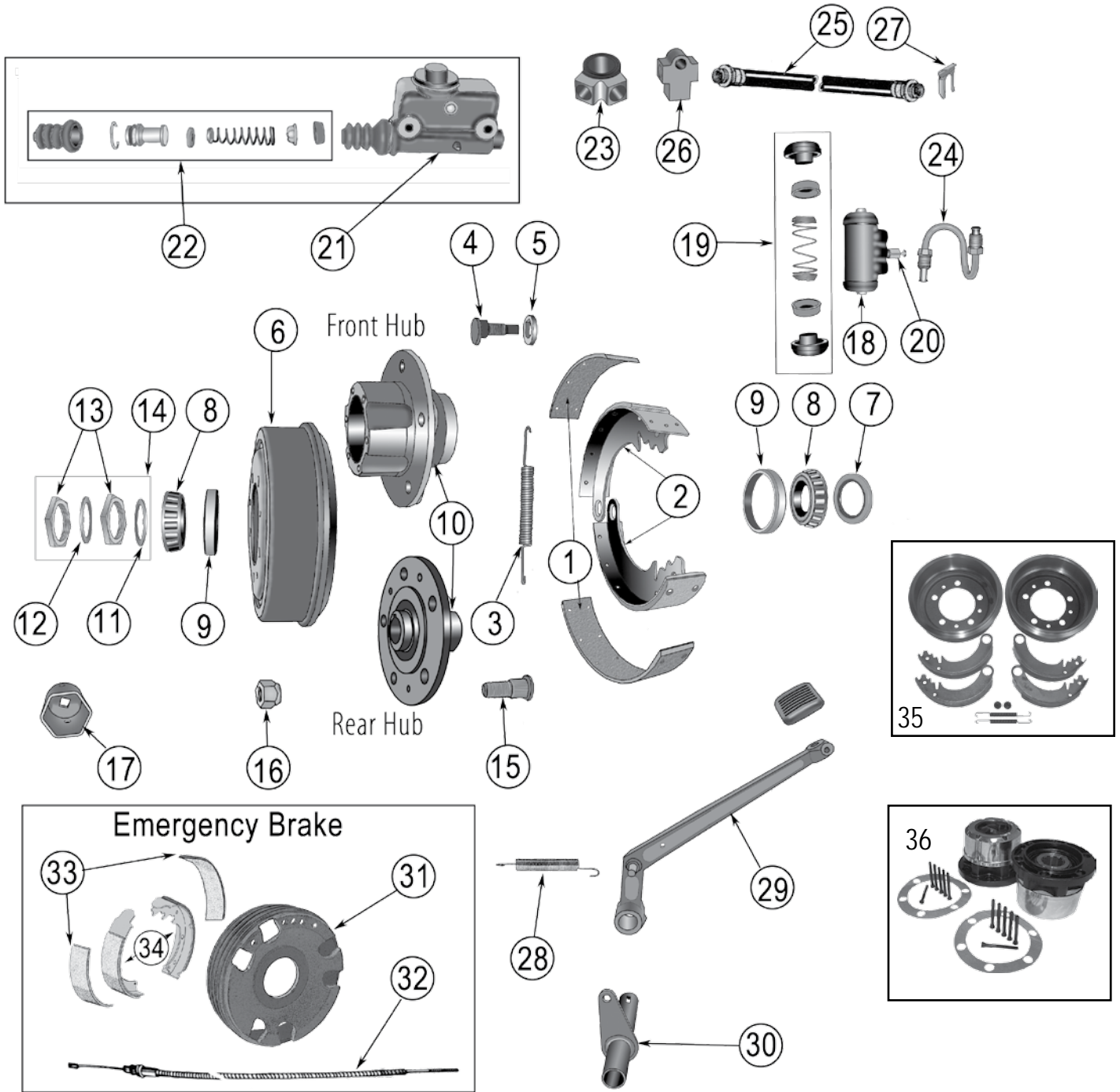


Item #	Description	Location	Comments	Replaces Part #
<b>FRONT AND REAR DRUM BRAKES</b>				
1	Lining Set	Front or Rear	Includes 4 Shoe Linings and 40 Rivets	116600
2	Shoe and Lining Set	Front or Rear		J0642967
3	Spring, Shoe Return	Front or Rear	Upper	J0637905
4	Eccentric, Brake Shoe	Front or Rear	2 Required Per Wheel	A754
5	Anchor, Cam	Front or Rear	2 Required Per Wheel	637900
6	Drum	Front or Rear	Mounts Inside Hub	A-472*
<b>HUBS, ETC.</b>				
7	Seal, Hub	Front Rear		J0805150 J0805150

Item #	Description	Location	Comments	Replaces Part #
8	Bearing, Wheel	Front Inner or Outer		J0052942
9	Cup, Wheel Bearing	Front Inner or Outer Rear		J0052943 J0052800
10	Hub	Front Rear		J0909548 J0811351
11	Lock Washer, Wheel Bearing	Front Inner		JA000865
12	Lock Washer, Wheel Bearing	Front Outer		JA000867
13	Nut, Axle Bearing	Front	2 Required Per Wheel	JA000866
14	Axle Nut Kit	Front	Includes #11, 12, and 13	A867K
15	Stud, Hub	Front Front Rear Rear	Left Hand Threads Right Hand Threads Left Hand Threads Right Hand Threads	JA000473 A474 JA000473 J5353025
16	Wheel Nut	Front or Rear Front or Rear	Right Hand Threads Left Hand Threads; 1/2"-20; 13/16" Hex	J0635516 J0636035
17	Socket, Spindle Nut			A692N
<b>HYDRAULICS</b>				
18	Wheel Cylinder	Front Left or Right Rear Left or Right	1" Bore 3/4" Bore	JA001484 J8126797
19	Repair Kit, Wheel Cylinder	Front Left or Right Rear Left or Right	For 1" Bore Wheel Cylinders For 3/4" Bore Wheel Cylinders	J0115962 J8136601
20	Bleeder Screw, Wheel Cylinder	Front or Rear		J0643841
21	Master Cylinder		Both Mounting Holes Unthreaded 1 Hole Threaded, 1 Hole Unthreaded	J8136618 A556
22	Repair Kit, Master Cylinder			805654
23	Y-Fitting, Master Cylinder			JA000557
<b>HOSES</b>				
24	Tube, Brake	Front	"S"	JA001488
25	Brake Hose	Front Left or Right Front Center Rear Center	6" Long; Axle to Knuckle 11" Long; Frame to Axle 16" Long; Frame to Axle	J0800953 J0800896 J0937884
26	Brake Tee	Front or Rear	Mounts to Axle	J0637432
27	Clip, Brake Hose	Front or Rear		J0637427
<b>MISCELLANEOUS</b>				
28	Spring, Brake Pedal Return		w/ Single Reservoir Master Cylinder	J0641723
29	Brake Pedal Assembly		w/ Single Reservoir Master Cylinder	J0800527*
30	Shaft, Brake Pedal		1948-1949	A495
<b>EMERGENCY BRAKE</b>				
31	Drum, Emergency Brake			A9332
32	Cable, Emergency Brake		To Serial #183948; 42-1/4" Long After Serial #183948; w/ Cane Handle; 44-3/8" Long	J0640353 J0646142
33	Lining Kit, Emergency Brake			116712*
34	Shoe Set, Emergency Brake			J0643055
<b>CROWN KITS</b>				
35	Drum Service Kit	Front or Rear	Includes Drums, Shoe Set and Hardware for 2 Wheels	808770KE
36	Manual Locking Hub Set	Front		400501

\* Not Currently Available

9" x 1-3/4" Brakes - Eccentric Adjusting Type

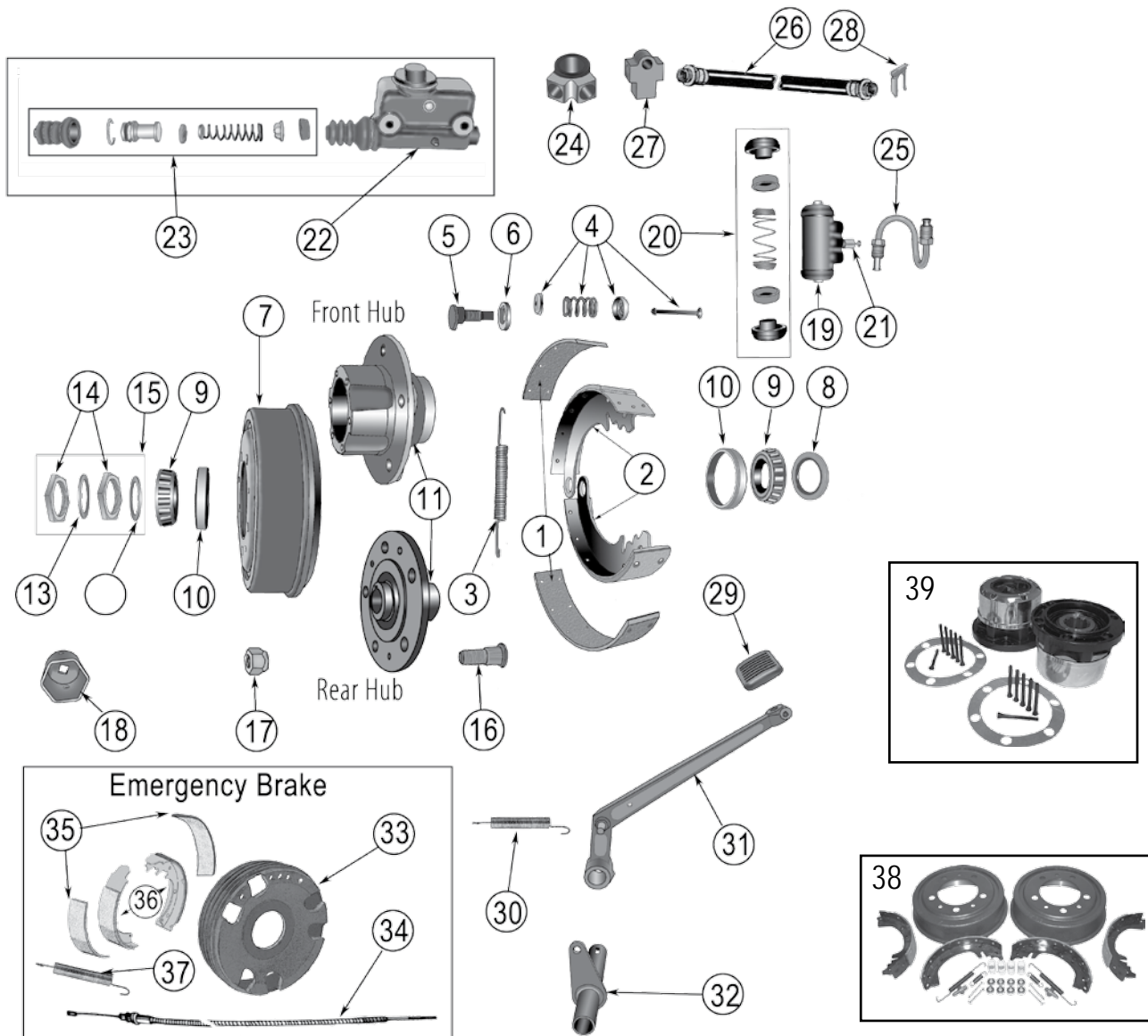


Item #	Description	Location	Comments	Replaces Part #
<b>FRONT AND REAR DRUM BRAKES</b>				
1	Lining Set	Front or Rear	Includes 4 Shoe Linings and 40 Rivets	116600
2	Shoe and Lining Set	Front or Rear		J0642967
3	Spring, Shoe Return	Front or Rear	Upper	J0637905
4	Eccentric, Brake Shoe	Front or Rear	2 Required Per Wheel	A754
5	Cam, Anchor	Front or Rear	2 Required Per Wheel	637900
6	Drum	Front or Rear	Mounts Inside Hub	A-472*

Item #	Description	Location	Comments	Replaces Part #
<b>HUBS, ETC.</b>				
7	Seal, Hub	Front Rear		J0805150 J0805150
8	Bearing, Wheel	Front Inner or Outer		J0052942
9	Cup, Wheel Bearing	Front Inner or Outer Rear Inner or Outer Rear		J0052943 J0052943 J0052800
10	Hub	Front Rear		J0909548 J0811351
11	Lock Washer, Wheel Bearing	Front Inner		JA000865
12	Lock Washer, Wheel Bearing	Front Outer		JA000867
13	Nut, Axle Bearing	Front	2 Required Per Wheel	JA000866
14	Axle Nut Kit	Front	Includes #11, 12, and 13	A867K
15	Stud, Hub	Front Front Rear	Left Hand Threads Right Hand Threads Left Hand Threads	JA000473 J5353025 JA000473
16	Wheel Nut	Front or Rear Front or Rear	Right Hand Threads Left Hand Threads; 1/2"-20; 13/16" Hex	J0635516 J0636035
17	Socket, Spindle Nut			A692N
<b>HYDRAULICS</b>				
18	Wheel Cylinder	Front Left or Right Rear Left or Right	1" Bore 3/4" Bore	JA001484 J8126797
19	Repair Kit, Wheel Cylinder	Front Left or Right Rear Left or Right	For 1" Bore Wheel Cylinders For 3/4" Bore Wheel Cylinders	J0115962 J8136601
20	Bleeder Screw, Wheel Cylinder	Front or Rear		J0643841
21	Master Cylinder		Both Mounting Holes Unthreaded	J8136618
22	Repair Kit, Master Cylinder			805654
23	Y-Fitting, Master Cylinder			JA000557
<b>HOSES</b>				
24	Tube, Brake	Front	"5"	JA001488
25	Brake Hose	Front Left or Right Front Center Rear Center	Axle to Knuckle; 6" Long Frame to Axle; 11" Long Frame to Axle; 16" Long	J0800953 J0800896 J0937884
26	Brake Tee	Front or Rear	Mounts to Axle	J0637432
27	Clip, Brake Hose	Front or Rear		J0637427
<b>MISCELLANEOUS</b>				
28	Spring, Brake Pedal Return		w/ Single Reservoir Master Cylinder	J0641723
29	Brake Pedal Assembly		w/ Single Reservoir Master Cylinder	J0800527*
30	Shaft, Brake Pedal			A495
<b>EMERGENCY BRAKE</b>				
31	Drum, Emergency Brake			A9332
32	Cable, Emergency Brake		w/ Cane Handle; 44-3/8" Long	J0646142
33	Lining Kit, Emergency Brake			116712*
34	Shoe Set, Emergency Brake			J0643055
<b>CROWN KITS</b>				
35	Drum Service Kit	Front or Rear	Includes Drums, Shoe Set and Hardware for 2 Wheels	808770KE
36	Manual Locking Hub Set	Front		400501

\*Not Currently Available

9" x 1-3/4" Brakes - Eccentric Adjusting Type



Item #	Description	Location	Comments	Replaces Part #
<b>FRONT AND REAR DRUM BRAKES</b>				
1	Lining Set	Front or Rear	Includes 4 Shoe Linings and 40 Rivets	116600
2	Shoe and Lining Set	Front or Rear		J0807376
3	Spring, Shoe Return	Front or Rear	Upper	J0637905
		Front or Rear	Lower	J0805602
4	Hold Down Kit, Brake Shoe	Front or Rear	For 1 Wheel	J0120239
5	Eccentric, Brake Shoe	Front or Rear	2 Required Per Wheel	J0805592
6	Cam, Anchor	Front or Rear	2 Required Per Wheel	637900
7	Drum	Front or Rear	Mounts Outside of Hub	J0808770
<b>HUBS, ETC.</b>				
8	Seal, Hub	Front	w/ Bearings Marked 18590	J0805150
		Front	w/ Bearings Marked LM-501349	J0938151
		Rear		J0805150
9	Bearing, Wheel	Front Inner or Outer	w/ Bearings Marked 18590	J0052942
		Front Inner or Outer	w/ Bearings Marked LM-501349	J3156052



Item #	Description	Location	Comments	Replaces Part #
10	Cup, Wheel Bearing	Front Inner or Outer Front Inner or Outer Rear	w/ Bearings Marked 18590 w/ Bearings Marked LM-501349	J0052943 J0925447 J0052800
11	Hub	Front Front Rear	w/ Bearings Marked 18590; Bare w/ Bearings Marked LM-501349; Includes Cups and Wheel Studs	J0909548 J8136650 J0811351
12	Lock Washer, Wheel Bearing	Front Inner		JA000865
13	Lock Washer, Wheel Bearing	Front Outer		JA000867
14	Nut, Axle Bearing	Front	2 Required Per Wheel	JA000866
15	Axle Nut Kit	Front	Includes #12, 13, and 14	A867K
16	Stud, Hub	Front Front Front Rear Rear	w/ Bearings Marked 18590; Left Hand Threads w/ Bearings Marked 18590; Right Hand Threads w/ Bearings Marked LM-501349; Right Hand Threads Left Hand Threads Right Hand Threads	JA000473 J5353025 83503053 JA000473 J5353025
17	Wheel Nut	Front or Rear Front or Rear	Right Hand Threads Left Hand Threads; 1/2"-20; 13/16" Hex	J0635516 J0636035
18	Socket, Spindle Nut			A692N
<b>HYDRAULICS</b>				
19	Wheel Cylinder	Front Left or Right Front Left Front Right Rear Left or Right	1953-59; w/ Straight Hose Connections; 1" Bore 1960-68; w/ Angled Hose Connections; 1" Bore 1960-68; w/ Angled Hose Connections; 1" Bore 3/4" Bore	J8126743 J0803639 J0803640 J8126798
20	Repair Kit, Wheel Cylinder	Front Rear	1" Bore 3/4" Bore	J0115962 J8136601
21	Bleeder Screw, Wheel Cylinder	Front or Rear		J0643841
22	Master Cylinder		w/ Single Reservoir Master Cylinder	J8136618
23	Repair Kit, Master Cylinder		w/ Single Reservoir Master Cylinder	805654
24	Y-Fitting, Master Cylinder		1953-59	JA000557
<b>HOSES</b>				
25	Tube, Brake	Front	1953-59; "5"	JA001488
26	Brake Hose	Front Left or Right Front Center Rear Center	Axle to Knuckle; 6" Long Frame to Axle; 11" Long Frame to Axle; 16" Long	J0800953 J0800896 J0937884
27	Brake Tee	Front or Rear	Mounts to Axle	J0637432
28	Clip, Brake Hose	Front or Rear		J0637427
<b>MISCELLANEOUS</b>				
29	Pad, Brake Pedal		1957-65; Rubber	J5363508
30	Spring, Brake Pedal Return		w/ Single Reservoir Master Cylinder	J0641723
31	Brake Pedal Assembly		w/ Single Reservoir Master Cylinder	J0800527*
32	Shaft, Brake Pedal		1953-66	A495
<b>EMERGENCY BRAKE</b>				
33	Drum, Emergency Brake			A9332
34	Cable, Emergency Brake		w/ Cane Handle; 44-3/8" Long w/ T-Lever w/ T90 Transmission; 63-5/8" Long w/ T-Lever w/ T98 Transmission; 69" Long	J0646142 J0906750 J0911693
35	Lining Kit, Emergency Brake			116712*
36	Shoe Set, Emergency Brake			J0643055
37	Spring, Emergency Brake			J0641727
<b>CROWN KITS</b>				
38	Drum Service Kit	Front or Rear	w/ 9" Brakes; Includes Drums, Shoes, Linings and Hardware for 2 Wheels	808770KL
39	Manual Locking Hub Set	Front		400501

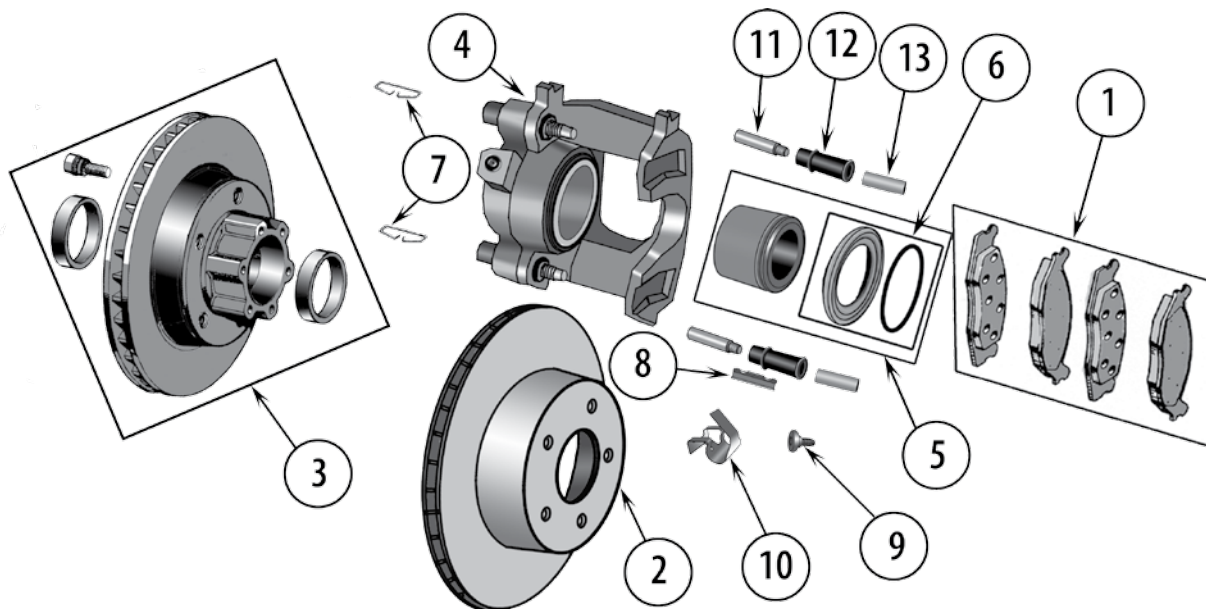
\* Not Currently Available



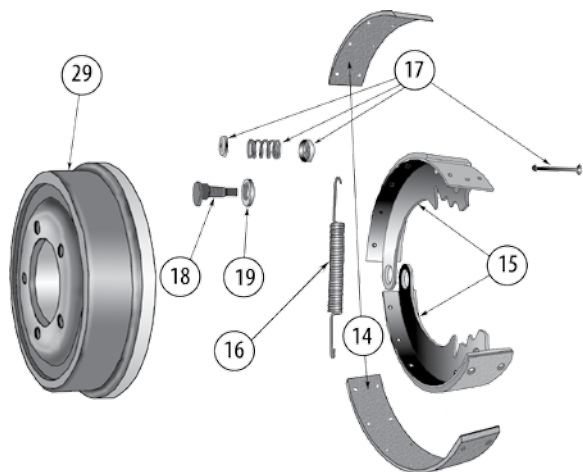
# Brake

# 1955-1983 CJ-5, 1955-1975 CJ-6

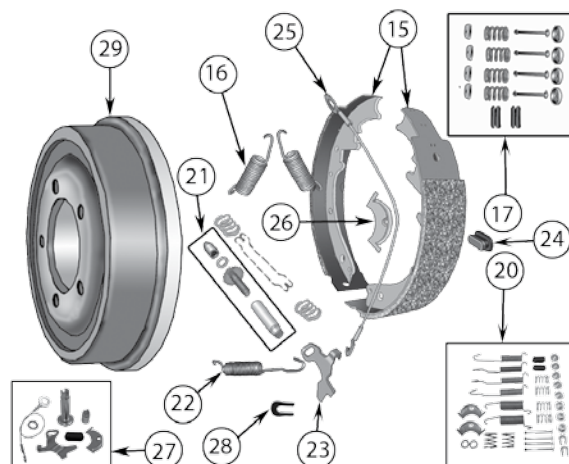
1955-1965 - 9" x 1-3/4" Eccentric Adjusting	Front or Rear
1966-1971 - 10" x 2" Screw Adjusting	Front or Rear
1969-1978 - 11" x 2" Bendix Screw Adjusting	Front or Rear
1976-1978 - 11-3/4" x 1-1/8" Disc Brake	Front
1978-1983 - 11-3/4" x 7/8" Disc Brake	Front
1978-1983 - 10" x 1-3/4" Screw Adjusting	Rear



Item #	Description	Years	Size	Location	Comments	Replaces Part #
<b>FRONT DISC BRAKES</b>						
1	Pad Set	1976-78 1978-81 1982-83			w/ 6-Bolt Caliper Brackets w/ 2-Bolt Caliper Brackets	J8126314 J8131785 83501167
2	Rotor Only	1976-78 1978-83	1-1/8" Thick 7/8" Thick		w/ 6-Bolt Caliper Brackets w/ 2-Bolt Caliper Brackets	5356183R 5363421R
3	Hub and Rotor Assembly	1976-78 1978-81 1981-83	1-1/8" Thick 7/8" Thick 7/8" Thick		w/ 6-Bolt Flange Mounting w/ 6-Bolt Flange Mounting, w/ 2-Bolt Caliper Brackets w/ 5-Bolt Flange Mounting	J5356183 J5358568 J5363421
4	Caliper Assembly	1976-78 1976-78 1978-81 1978-81 1982-83 1982-83		Right Left Right Left Right Left	w/ 6-Bolt Caliper Brackets, Less Pads w/ 6-Bolt Caliper Brackets, Less Pads w/ 2-Bolt Caliper Brackets, Less Pads w/ 2-Bolt Caliper Brackets, Less Pads Less Pads Less Pads	J3229983 J3229982 J8131649 J8131648 J8133846 J8133847
5	Rebuild Kit, Caliper	1976-78 1978-81 1982-83		Left or Right Left or Right Left or Right	w/ 6-Bolt Caliper Brackets, Incl. (1) Each Seal, Boot, Piston w/ 2-Bolt Caliper Brackets, Incl. (1) Each Seal, Boot, Piston Includes (1) Each Seal, Boot, Piston	J8125534 J8127582 J8133845
6	Seal Kit, Caliper	1976-78 1978-81 1982-83		Left or Right Left or Right Left or Right	w/ 6-Bolt Caliper Brackets, Incl. 1 Seal and 1 Boot w/ 2-Bolt Caliper Brackets, Incl. 1 Seal and 1 Boot Includes 1 Seal and 1 Boot	J8126756 J8127583 J8133852
7	Spring, Caliper Support	1976-78 1978-81 1982-83		Left or Right Left or Right Left or Right	w/ 6-Bolt Caliper Brackets; 4 Required w/ 2-Bolt Caliper Brackets; 4 Required Anti-Rattle Clip; 4 Required	J3223413 J3229031 J3239865
8	Key, Caliper Support	1976-78 1978-81		Left or Right Left or Right	w/ 6-Bolt Caliper Brackets w/ 2-Bolt Caliper Brackets	J3223414 J3229032



9" x 1-3/4" Eccentric Adjusting



11" x 2" and 10" x 1 3/4" Screw Adjusting

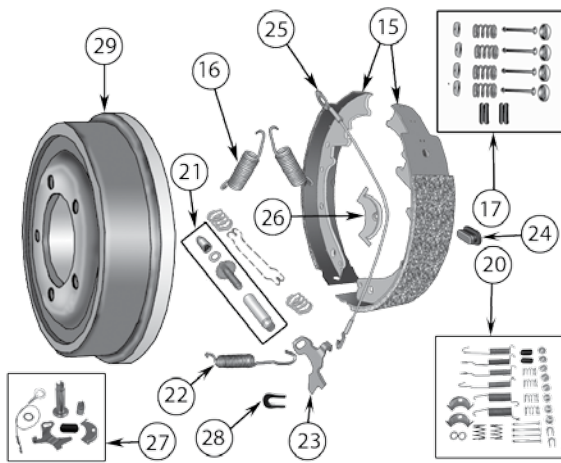
Item #	Description	Years	Size	Location	Comments	Replaces Part #
9	Screw, Caliper Support	1976-81		Left or Right		J3223416
10	Clip, Caliper Support	1978-81		Left or Right		J3229033
11	Pin, Caliper	1982-83		Left or Right		83504655
12	Bushing, Caliper Pin	1982-83		Left or Right	Outer	J3239867
13	Sleeve, Caliper Pin	1982-83		Left or Right	Inner	52001701*
<b>DRUM BRAKES</b>						
14	Lining Set	1955-65	9" x 1-3/4"	Front or Rear	Includes 4 Shoe Linings and 40 Rivets	116600
15	Shoe and Lining Set	1955-65	9" x 1-3/4"	Front or Rear		J0807376
		1966-71	10" x 2"	Front or Rear		J8120393
		1969-78	11" x 2"	Front or Rear		J8130067
		1978-83	10" x 1-3/4"	Rear		J8133818
16	Spring, Brake Shoe Return	1955-65	9" x 1-3/4"	Front or Rear	Lower	J0805602
		1955-65	9" x 1-3/4"	Front or Rear	Upper	J0637905
		1966-71	10" x 2"	Front or Rear	Upper; 2 Required Per Wheel	J0938111
		1969-78	11" x 2"	Front or Rear	Upper; 2 Required Per Wheel	J0937953
17	Hold Down Kit, Brake Shoe	1955-65	9" x 1-3/4"	Front or Rear	For 1 Wheel	J0120239
		1969-78	11" x 2"	Front or Rear	For 2 Wheels	J0937952
18	Eccentric, Brake Shoe	1955-65	9" x 1-3/4"	Front or Rear	2 Required Per Wheel	J0805592
19	Cam, Anchor	1955-65	9" x 1-3/4"	Front or Rear	2 Required Per Wheel	637900
20	Small Parts Master Kit	1969-78	11" x 2"	Front or Rear		5352476HK
		1978-83	10" x 1-3/4"	Rear		4636777
21	Adjuster Kit, Brake Shoe	1966-71	10" x 2"	Front Left		52001215
		1966-71	10" x 2"	Front Right		52001216
		1966-71	10" x 2"	Rear Left		52001216
		1966-71	10" x 2"	Rear Right		52001215
		1969-78	11" x 2"	F or R Left		943131A
		1969-78	11" x 2"	F or R Right		943132A
		1978-83	10" x 1-3/4"	Rear Left		52001216
		1978-83	10" x 1-3/4"	Rear Right		52001215
22	Spring, Adjusting Screw	1966-71	10" x 2"	Front or Rear		J0945306
		1969-78	11" x 2"	Front or Rear		J0943136
		1978-83	10" x 1-3/4"	Rear, L or R		J3201937
23	Lever, Automatic Adjust	1969-78	11" x 2"	F or R Left		J0943140
		1969-78	11" x 2"	F or R Right		J0943141

\* Not Currently Available

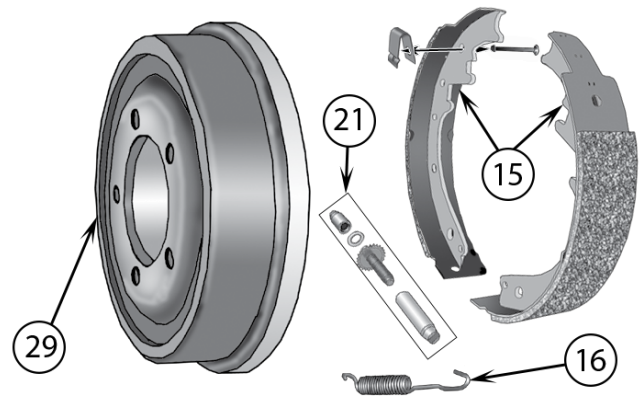
Continued on Next Page

# Brake

## 1955-1983 CJ-5, 1955-1975 CJ-6



11" x 2" and 10" x 1 3/4" Screw Adjusting



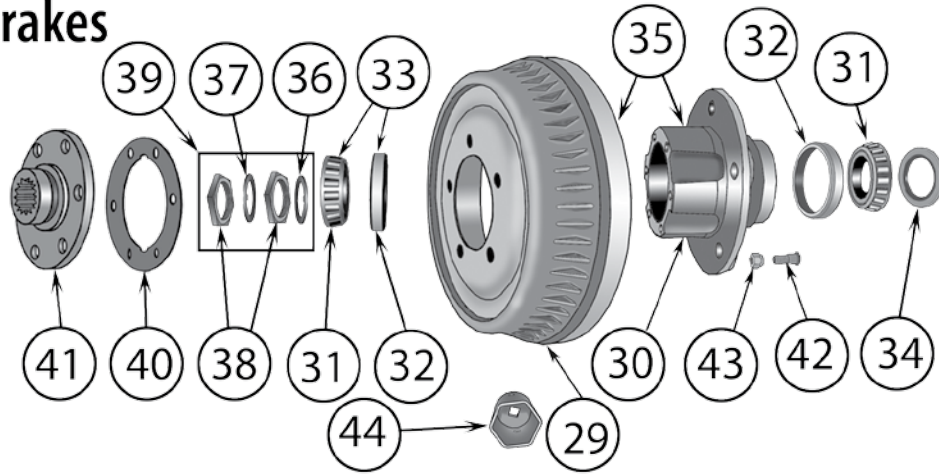
10" X 2" Adjusting Screw

Item #	Description	Years	Size	Location	Comments	Replaces Part #
24	Cover, Drum Adjuster	1978-83	10" x 1 3/4"	Rear L or R		J3201957
25	Cable, Automatic Adjust	1969-78	11" x 2"	Front or Rear		J0943138
26	Guide, Automatic Adjust Cable	1969-78	11" x 2"	Front or Rear		J3201947
27	Brake Adjusting Kit	1969-78	11" x 2"	Rear Right		H2541
		1969-78	11" x 2"	Rear Left		H2540
28	Retainer, Lever	1981-86	10" x 1 3/4"	Rear L or R		J3108202
29	Drum	1955-65	9" x 1 3/4"	Front or Rear	Mounts Outside of Hub	J0808770
		1966-71	10" x 2"	Front or Rear		J0994306
		1972-74	11" x 2"	Front	Smooth	J0999728
		1974-78	11" x 2"	Front	Finned	J5352476
		1971-75	11" x 2"	Rear	w/ Flanged Dana 44; Smooth	J0999728
		1974-75	11" x 2"	Rear	w/ Flanged Dana 44; Finned	J5352476
		1976-78	11" x 2"	Rear		J5352476
		1978-83	10" x 1 3/4"	Rear		52002952

### HUBS, ETC.

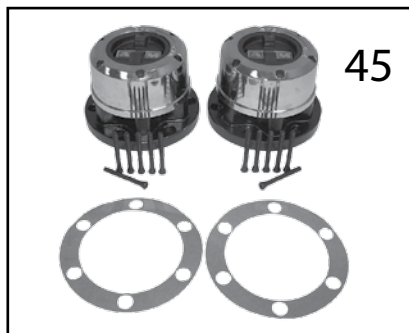
30	Hub	1955-65	All	Front	w/ Bearings Marked 18590; Bare	J0909548
		1955-65	All	Front	w/ Bearings Marked LM-501349; Includes Cups and Wheel Studs	J8136650
		1966-75	Drum	Front	Includes Cups and Wheel Studs	J8136650
		1976	Drum	Front	w/ 1-5/8" Inner Wheel Bearing Cup; Includes Cups and Wheel Studs	J8136650
		1976	Drum	Front	w/ 1-3/4" Inner Wheel Bearing Cup; Includes Cups and Wheel Studs	J8136651
		1977-78	Drum	Front	Includes Cups and Wheel Studs	J8136651
		1978-81	Disc	Front	w/ 6-Bolt Flange Mounting; Includes Cups	5358568H
		1981-83	Disc	Front	w/ 5-Bolt Flange Mounting; Includes Cups and Wheel Studs	5363421H
		1955-69	All	Rear	w/ Dana 44 Tapered Axles; Bare	J0811351
		1976-83	All	Rear	w/ AMC 20; Includes Wheel Studs	J8133730
31	Bearing, Wheel	1955-65	All	Front Inner or Outer	w/ Bearing Marked 18590	J0052942
		1955-65	All	Front Inner or Outer	w/ Bearing Marked LM-501349	J3156052
		1966-76	All	Front Inner	w/ 1-5/8" O.D. Cup- LM-501349	J3156052
		1976-83	All	Front Inner	w/ 1-3/4" O.D. Cup- LM-120949	J5356661
		1966-83	All	Front Outer	w/ 1-5/8" O.D. Cup- LM-501349	J3156052

Drum Brakes

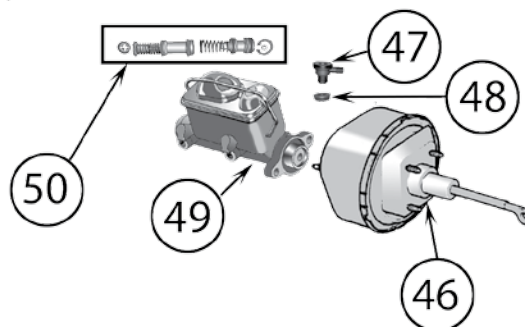


Item #	Description	Years	Size	Location	Comments	Replaces Part #
32	Cup, Wheel Bearing	1955-65	All	Front Inner or Outer	w/ Bearings Marked 18590	J0052943
		1955-65	All	Front Inner or Outer	w/ Bearings Marked LM-501349	J0925447
		1966-76	All	Front Inner	1-5/8" O.D. - LM-501349	J0925447
		1976-83	All	Front Inner	1-3/4" O.D. - LM-120949	J8127630
		1966-83	All	Front Outer	1-5/8" O.D. - LM-501349	J0925447
33	Bearing Set, Wheel	1976-83	All	Front Outer	Includes J0925447 and J3156052	SET45
34	Seal, Hub	1955-65	All	Front	w/ Bearings Marked 18590	J0805150
		1955-65	All	Front	w/ Bearings Marked LM-501349	J0938151
		1966-75	All	Front		J0938151
		1976	All	Front	Used w/ 1-5/8" O.D. Cup	J0938151
		1976-83	All	Front	Used w/ 1-3/4" O.D. Cup	J5365082
35	Hub and Drum Assembly	1976-78	11" x 2"	Rear	w/ AMC 20 Axle	J5355714
		1978-83	10" x 1-3/4"	Rear	w/ AMC 20 Axle	J5359029
36	Lock Washer, Wheel Bearing	1955-83	All	Front Inner		JA000865
37	Lock Washer, Wheel Bearing	1955-83	All	Front Outer		JA000867
38	Nut, Axle Bearing	1955-83	All	Front	2 Required Per Wheel	JA000866
39	Washer and Nut Kit, Spindle	1955-83		Front	Includes 2 Spindle Nuts and 2 Washers	A867K
40	Gasket, Hub Flange	1972-81	All	Front	w/ 6 Bolts	J0649784
		1981-83	All	Front	w/ 5 Bolts	J5362001
41	Flange, Front Hub	1972-81	All	Front	w/ 6 Bolts	J0999396
		1981-83	All	Front	w/ 5 Bolts	J5362000
42	Stud, Wheel	1955-65	All	Front	w/ Bearings Marked 18590; Left Hand Threads	JA000473
		1955-65	All	Front	w/ Bearings Marked 18590; Right Hand Threads	J5353025
		1955-65	All	Front	w/ Bearings Marked LM-501349; Right Hand Threads	83503053
		1966-71	All	Front		J0945451
		1972-78	Drum	Front		J5353025
		1977-86	Disc	Front		J5357196
		1955-71	All	Rear	w/ Tapered Axle Shafts; Left Hand Threads	JA000473
		1955-71	All	Rear	w/ Tapered Axle Shafts; Right Hand Threads	J5353025
		1969-75	All	Rear	w/ Flanged Axle Shafts	J5355719
		1976-83	All	Rear	w/ AMC 20	J5355719
43	Wheel Nut	1955-83	All	Front or Rear	Right Hand Threads; Open-Ended; 1/2"-20	J0635516
		1955-71	All	Front or Rear	Left Hand Threads; Open-Ended; 1/2"-20	J0636035
		1977-83	All	Front or Rear	Right Hand Threads; Chrome Capped; 1/2"-20	J4005694
44	Socket, Spindle Nut	1955-83	All	Front		A692N

Continued on Next Page

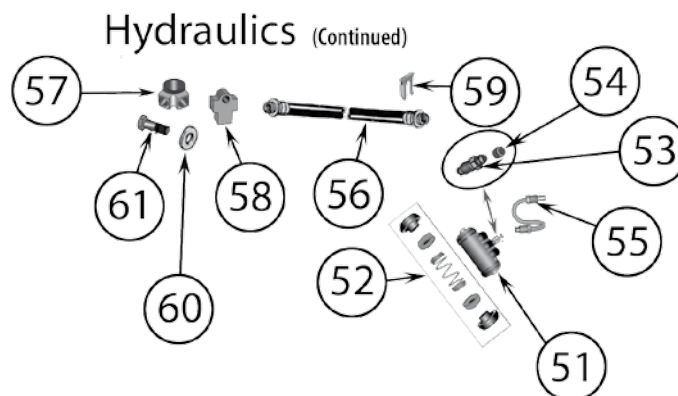


## Hydraulics



Item #	Description	Years	Size	Location	Comments	Replaces Part #
45	Locking Hub Set	1955-71	All	Front		400501
		1972-81	All	Front	w/ 6 Bolts	400502
		1981-83	All	Front	w/ 5 Bolts	400526
<b>HYDRAULICS</b>						
46	Booster, Brake	1982-83			Includes Boot	J8133909
47	Valve, Brake Booster Check	1982-83			w/ Power Brakes	J4487455
48	Grommet, Brake Booster	1982-83			w/ Power Brakes	4723640
49	Master Cylinder	1955-65	9" x 1-3/4"		w/ Single Reservoir Master Cylinder	J8136618
		1966-71	10" x 2"		w/ Dual Reservoir Master Cylinder	J0945556
		1968-75	11" x 2"		w/o Power Brakes	J8126737
		1976	Drum			J8127792
		1977-78	Disc		w/o Power Brakes	J8127792
		1977-78	Disc		w/o Power Brakes w/ 6-Bolt Caliper Brackets	83300115
		1978-83	Disc		w/o Power Brakes w/ 2-Bolt Caliper Brackets	J8134270
		1977-78	Disc		w/ Power Brakes w/ 2-Bolt Caliper Brackets	J8127821
		1978-83	Disc		w/ Power Brakes w/ 2-Bolt Caliper Brackets	83300111
		50	Repair Kit, Master Cylinder	1955-65	9" x 1-3/4"	
1966-71	10" x 2"				w/ Dual Reservoir Master Cylinder	J8126747
1968-75	11" x 2"					J8126747
1976						J8127772
1977-78	Drum				w/o Power Brakes	J8127772
1978-83	Disc				w/ Power Brakes w/ 2-Bolt Caliper Brackets	J8134247
1978-83	Disc				w/o Power Brakes w/ 2-Bolt Caliper Brackets	J8134266
1984-86	Disc					83500896
51	Wheel Cylinder	1955-59	9" x 1-3/4"	Front L or R	w/ Straight Hose Connections; 1" Bore	J8126743
		1960-65	9" x 1-3/4"	Front Left	w/ Angled Hose Connections; 1" Bore	J0803639
		1960-65	9" x 1-3/4"	Front Right	w/ Angled Hose Connections; 1" Bore	J0803640
		1966-71	10" x 2"	Front L or R	1" Bore	J0938115
		1966-71	10" x 2"	Front L or R	1-1/8" Bore	J0991526
		1969-78	11" x 2"	Front Left	1-1/8" Bore	J8126766
		1969-78	11" x 2"	Front Right	1-1/8" Bore	J8126692
		1955-65	9" x 1-3/4"	Rear L or R	3/4" Bore	J8126798
		1966-71	10" x 2"	Left Rear	13/16" Bore	J8126744
		1966-71	10" x 2"	Right Rear	13/16" Bore	J8136612
		1969-75	11" x 2"	Left Rear	15/16" Bore	J8126775
		1969-75	11" x 2"	Right Rear	15/16" Bore	J8124799
		1976-78	11" x 2"	Left Rear	7/8" Bore	52000849
		1976-78	11" x 2"	Right Rear	7/8" Bore	52000848
		1978-83	10" x 1-3/4"	Left Rear	7/8" Bore	52000849
		1978-83	10" x 1-3/4"	Right Rear	7/8" Bore	52000848



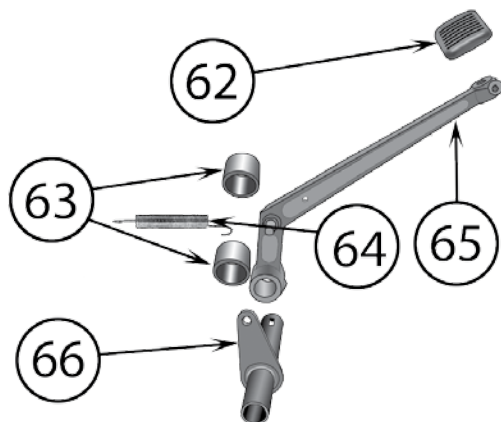


Item #	Description	Years	Size	Location	Comments	Replaces Part #
52	Repair Kit, Wheel Cylinder	1955-65	9" x 1-3/4"	Front	1" Bore	J0115962
		1966-71	10" x 2"	Front	1" Bore	J8126751
		1966-71	10" x 2"	Front	1-1/8" Bore	J8126753
		1969-78	11" x 2"	Front	1-1/8" Bore	J8126753
		1955-65	9" x 1-3/4"	Rear	3/4" Bore	J8136601
		1966-71	10" x 2"	Rear	1" Bore	J8126751
		1969-78	11" x 2"	Rear	7/8" Bore	83500987
		1969-78	11" x 2"	Rear	15/16" Bore	J8125880
		1969-78	11" x 2"	Rear	1" Bore	8126964
		1978-83	10" x 1-3/4"	Rear	7/8" Bore	83500987
53	Screw, Bleeder	1955-72	Drum	F or R	1/4"-28 Threads	J0643841
		1978-83	Disc	Front	3/8"-24 Threads	J8129722
		1978-83	Drum	Rear	3/8"-24 Threads	J8129722
54	Cap, Bleeder Screw	1978-86	Disc	Front		5093278AB
		1976-86	All	Rear		5093278AB
55	Tube, Brake	1955-59	9" x 1-3/4"	Front L or R	"S"	JA001488
		1966-71	10" x 2"	Front L or R	"S"	J0937325
56	Brake Hose	1955-65	9" x 1-3/4"	Front L or R	Axle to Knuckle; 6" Long	J0800953
		1955-65	9" x 1-3/4"	Front	Frame to Axle; 12" Long	J0800896
		1966-71	10" x 2"	Front	Frame to Axle; 12" Long	J0937347
		1969-73	11" x 2"	Front	Frame to Axle; 15" Long	J5350663
		1974-75	11" x 2"	Front	Frame to Axle; 17" Long	J5352825
		1976-78	11" x 2"	Front	Frame to Axle; 15" Long	J5356054
		1976-78	Disc	Front L or R	Frame to Caliper; Round End	J5356598
		1978-81	Disc	Front L or R	Frame to Caliper; Square End	J5359037
		1982-83	Disc	Front L or R	Frame to Caliper	J5363917
		1955-65	9" x 1-3/4"	Rear	Frame to Axle; 16" Long	J0937884
		1966-71	10" x 2"	Rear	Frame to Axle; 16" Long	J0937884
		1974-75	11" x 2"	Rear	Frame to Axle	J5352824
		1976-78	11" x 2"	Rear	Frame to Axle; 17-3/4" Long	J5359570
1978-83	10" x 1-3/4"	Rear	Frame to Axle; 17-3/4" Long	J5362842		
57	Y-Fitting, Master Cylinder	1955-65				JA000557
58	Brake Tee	1955-65	9" x 1-3/4"	Front or Rear	Mounts to Axle	J0637432
		1966-71	10" x 2"	Front or Rear	Mounts to Axle	J0637432
		1969-78	11" x 2"	Front or Rear	Mounts to Axle	J0637432
59	Clip, Brake Hose	All	All	All		J0637427
60	Washer, Brake Hose	1976-81	Disc	Front L or R		J3227849
		1982-83	Disc	Front L or R		J3236434
61	Bolt, Brake Hose	1976-81	Disc	Front L or R		J3225703
		1982-83	Disc	Front L or R		6035911AA

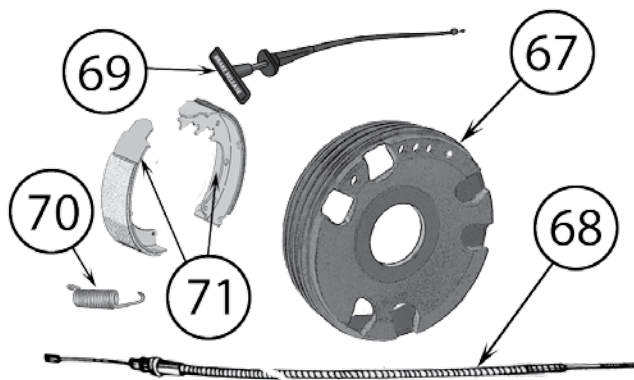
\*Not Currently Available



## Miscellaneous



## Parking Brake



Item #	Description	Years	Size	Location	Comments	Replaces Part #
<b>MISCELLANEOUS</b>						
62	Pad, Brake Pedal	1957-83	All		w/ Manual Transmission; Rubber	J5363508
63	Bushing, Brake Pedal	1976-83	All		Bronze	J0946177
64	Spring, Brake Pedal Return	1955-65	9" x 1-3/4"		w/ Single Reservoir Master Cylinder	J0641723
65	Brake Pedal Assembly	1955-65	9" x 1-3/4"		w/ Single Reservoir Master Cylinder	J0800527*
66	Shaft, Brake Pedal	1955-65	9" x 1-3/4"			A495
<b>PARKING BRAKE</b>						
67	Drum, Parking Brake	1955-65	9" x 1-3/4"			A9332
68	Cable, Parking Brake	1955-71	All	N/A	Handle to Lever; w/ Cane Handle; 44-1/2" Long	J0646142
		1955-71	All	N/A	Handle to Lever; w/ T-Lever w/ T90 Transmission; 63-5/8" Long	J0906750
		1955-71	All	N/A	Handle to Lever; w/ T-Lever w/ T98 Transmission; 69" Long	J0911693
		1972-75 CJ-5	All	Front	Lever To Equalizer; 68" Long	J0999978
		1972-75 CJ-6	All	Front	Lever To Equalizer; 87-1/4" Long	J0999979
		1976-83	All	Rear L or R	Lever To Equalizer; 51-7/8" Long	J5355287
		1972-75	All	Rear L or R	Equalizer to Wheels; 67-1/2" Long	J0999980
		1976-78	11" x 2"	Rear Left	Equalizer to Wheels; Bolt-On; 30-1/2" Long	J5355325
		1976-78	11" x 2"	Rear Right	Equalizer to Wheels; Bolt-On; 62" Long	J5355324
		1978-83	10" x 1-3/4"	Rear Right	Equalizer to Wheels; 31-1/4" Long	J3233903
69	Cable, Brake Release	1972-72				J5350541
70	Spring, Parking Brake Retracting	1955-71			w/ 4-134 Engine	J0641727
71	Shoe Set, Parking Brake	1955-65	9" x 1-3/4"			J0643055

\*Not Currently Available

72



73



Item #	Description	Years	Size	Location	Comments	Replaces Part #
<b>RT OFF-ROAD UPGRADES</b>						
72	Stainless Steel Brake Hose Kit	1982-83		Front and Rear	w/ 0" to 4" of Lift	RT31016
73	HD Brake Booster Kit	1976-83			w/ 1-1/8" Bore Master Cylinder	RT31010
		1976-83			w/ 1" Bore Master Cylinder	RT31011
<b>CROWN BRAKE KITS</b>						
74	Wheel Bearing Kit	1976-83	Disc	Front L or R	Includes Bearings and Seals	5356661K
75	Hub Kit	1976-83		Rear L or R	w/ AMC 20 Axle; Includes Bearings, Seals, and Hardware	8133730K
76	Pad Set Master Kit	1982-83		Front	Includes Pads, Bushings, Clips, and Bolts	83501167MK
77	Shoe Set Master Kit	1982-83	10" x 1-3/4"	Rear	Includes Shoe Set and Hardware	8133818MK
78	Brake Drum Service Kit	1955-71	9" x 1-3/4"	Front or Rear	Includes 2 Drums, Shoe Set, and Hardware	808770KL
79	Brake Drum Service Kit	1974-78	11" x 2"	Front or Rear	Includes 2 Drums, Shoe Set, and Hardware	5352476K
80	Brake Drum Service Kit	1978-83	10" x 1-3/4"	Rear	Includes 2 Drums, Shoe Set, and Hardware	52002952K
81	Disc Brake Service Kit	1976-78	Disc	Front	w/ 6-Bolt Caliper Brackets	5356183RK
82	Disc Brake Service Kit	1978-81	Disc	Front	w/ 6-Bolt Flange Mounting w/ 2-Bolt Caliper Brackets	5358568RK
83	Disc Brake Service Kit	1982-83	Disc	Front	w/ 5-Bolt Flange Mounting	5363421RK

74



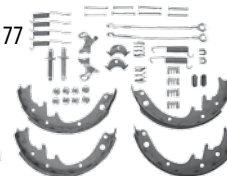
75



76



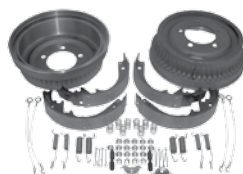
77



78



79



80



81



82



83



# Brake

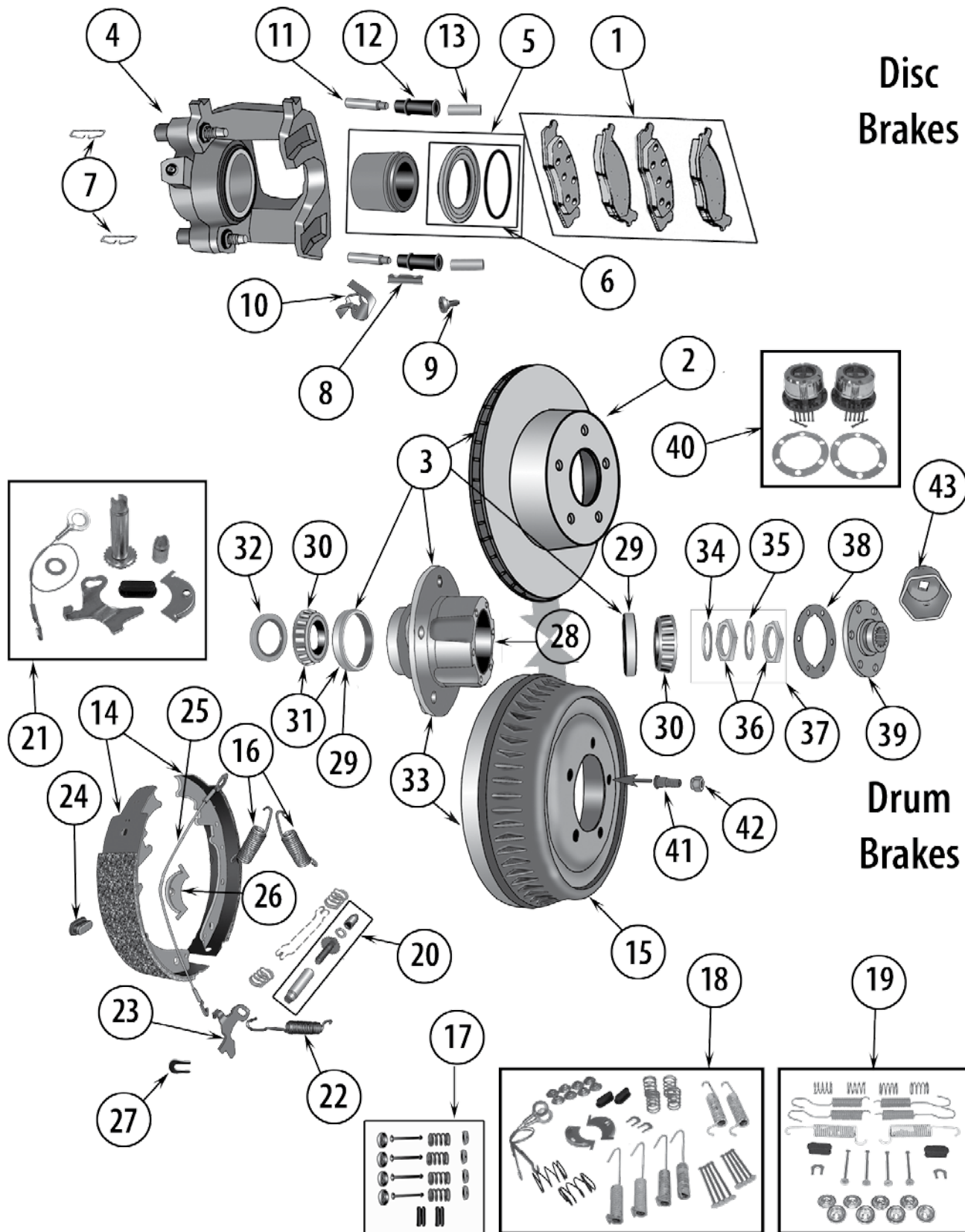
# 1976-1986 CJ-7, 1981-1986 CJ-8

1976-1978 - 11" x 2" Bendix Screw Adjusting  
 1976-1978 - 11-3/4" x 1-1/8" Disc Brake  
 1978-1986 - 11-3/4" x 7/8" Disc Brake  
 1978-1986 - 10" x 1-3/4" Screw Adjusting

Front or Rear  
 Front  
 Front  
 Rear

## Disc Brakes

## Drum Brakes



# 1976-1986 CJ-7, 1981-1986 CJ-8

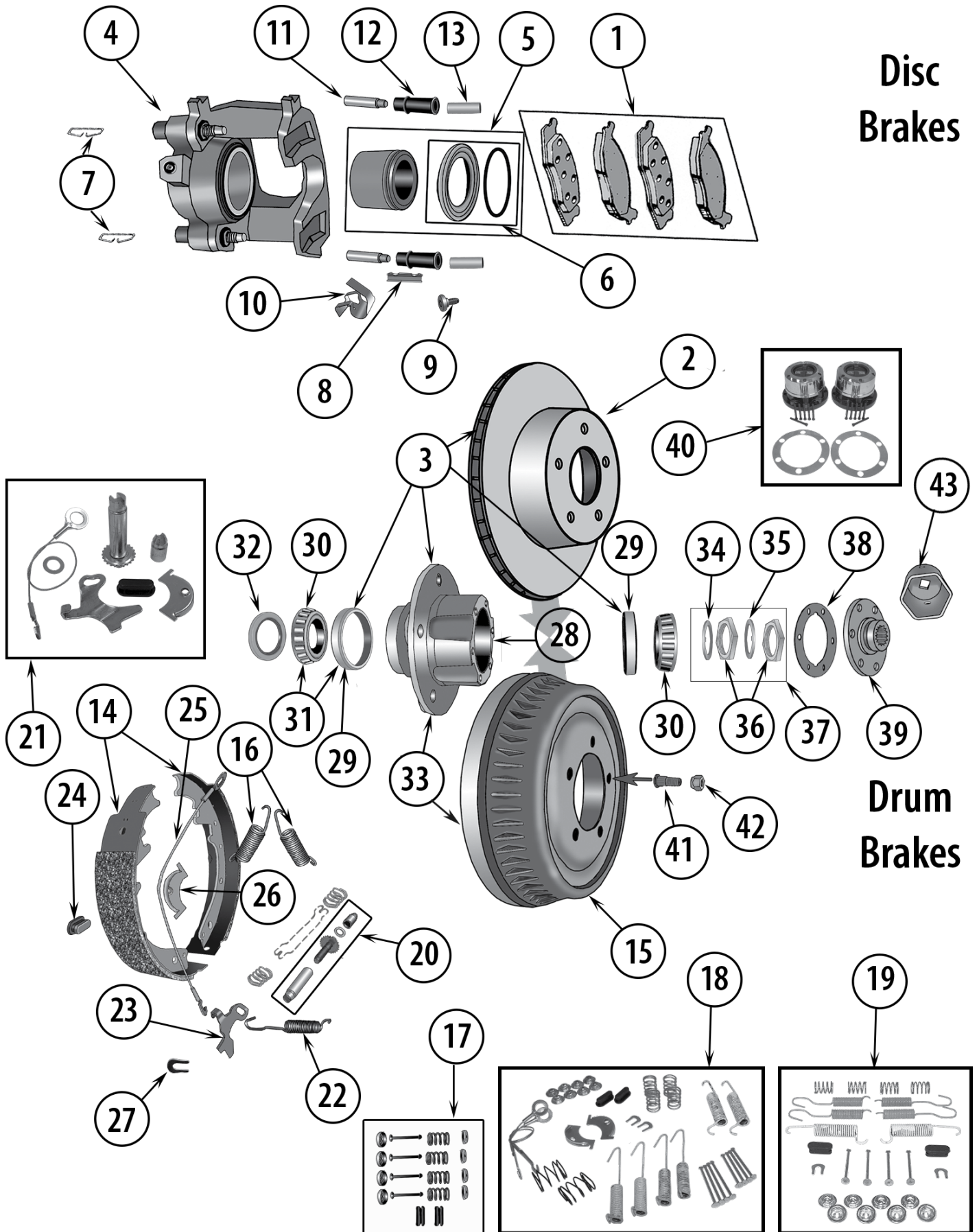
# Brake

Item #	Description	Years	Size	Position	Comments	Replaces Part #
<b>FRONT DISC BRAKES</b>						
1	Pad Set	1976-78 1978-81 1982-86			w/ 6-Bolt Caliper Brackets w/ 2-Bolt Caliper Brackets	J8126314 J8131785 83501167
2	Rotor Only	1976-78 1978-86	1-1/8" Thick 7/8" Thick		w/ 6-Bolt Caliper Brackets w/ 2-Bolt Caliper Brackets	5356183R 5363421R
3	Hub and Rotor Assembly	1976-78 1978-81 1981-86	1-1/8" Thick 7/8" Thick 7/8" Thick		w/ 6-Bolt Caliper Brackets w/ 6-Bolt Flange Brackets w/ 5-Bolt Flange Brackets	J5356183 J5358568 J5363421
4	Caliper Assembly	1977-78 1977-78 1978-81 1978-81 1982-86 1982-86		Right Left Right Left Right Left	w/ 6-Bolt Caliper Brackets, Less Pads w/ 6-Bolt Caliper Brackets, Less Pads w/ 2-Bolt Caliper Brackets, Less Pads w/ 2-Bolt Caliper Brackets, Less Pads Less Pads Less Pads	J3229983 J3229982 J8131649 J8131648 J8133846 J8133847
5	Rebuild Kit, Caliper	1976-78 1978-81 1982-86		Left or Right Left or Right Left or Right	w/ 6-Bolt Caliper Brackets, Incl. (1) Each Seal, Boot, Piston w/ 2-Bolt Caliper Brackets, Incl. (1) Each Seal, Boot, Piston Includes (1) Each Seal, Boot, Piston	J8125534 J8127582 J8133845
6	Seal Kit, Caliper	1976-78 1978-81 1982-86		Left or Right Left or Right Left or Right	w/ 6-Bolt Caliper Brackets; Incl. 1 Seal and 1 Boot w/ 2-Bolt Caliper Brackets; Incl. 1 Seal and 1 Boot Includes 1 Seal and 1 Boot	J8126756 J8127583 J8133852
7	Spring, Caliper Support	1976-78 1978-81 1982-86		Left or Right Left or Right Left or Right	w/ 6-Bolt Caliper Brackets; 4 Required w/ 2-Bolt Caliper Brackets; 4 Required Anti-Rattle Clip; 4 Required	J3223413 J3229031 J3239865
8	Key, Caliper Support	1976-78 1978-81		Left or Right Left or Right	w/ 6-Bolt Caliper Brackets w/ 2-Bolt Caliper Brackets	J3223414 J3229032
9	Screw, Caliper Support	1976-81		Left or Right		J3223416
10	Clip, Caliper Support	1978-81		Left or Right		J3229033
11	Pin, Caliper	1982-86		Left or Right		83504655
12	Bushing, Caliper Pin	1982-86		Left or Right	Outer	J3239867
13	Sleeve, Caliper Pin	1982-86		Left or Right	Inner	52001701*
<b>FRONT AND REAR DRUM BRAKES</b>						
14	Shoe and Lining Set	1976-78 1978-86	11" x 2" 10" x 1 3/4"	Front or Rear Rear		J8130067 J8133818
15	Drum	1976-78 1978-86	11" x 2" 10" x 1 3/4"	Front or Rear Rear	Finned	J5352476 52002952
16	Spring, Brake Shoe Return	1976-78	11" x 2"	Front or Rear	Upper; 2 Required Per Wheel	J0937953
17	Hold Down Kit, Brake Shoe	1976-78	11" x 2"	Front or Rear		J0937952
18	Small Parts Master Kit	1978-86 1986	10" x 1 3/4" 10" x 1 3/4"	Rear Rear	w/ AMC 20 w/ Dana 44	4636777 4636778
19	Small Parts Kit	1986	Drum	Rear	w/ Dana 44	H7149
20	Adjuster Kit, Brake Shoe	1976-78 1976-78 1978-86 1978-86	11" x 2" 11" x 2" 10" x 1 3/4" 10" x 1 3/4"	F or R Left F or R Right Rear Left Rear Right		943131A 943132A 52001216 52001215

\*Not Currently Available

Continued on next page





**Disc  
Brakes**

**Drum  
Brakes**

# 1976-1986 CJ-7, 1981-1986 CJ-8

# Brake

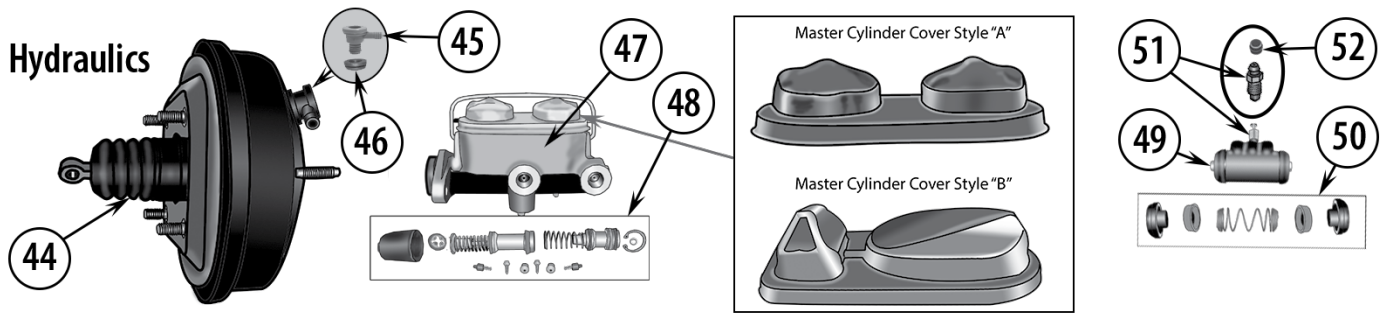
Item #	Description	Years	Size	Position	Comments	Replaces Part #
21	Hardware Kit, Brake Adjuster	1976-78	11" x 2"	Right		H2541
		1976-78	11" x 2"	Left		H2540
22	Spring, Adjusting Screw	1976-78	11" x 2"	Front or Rear		J0943136
		1981-86	10" x 1¾"	Rear		J3201937
23	Lever, Automatic Adjust	1976-78	11" x 2"	Left F or R		J0943140
		1976-78	11" x 2"	Right F or R		J0943141
24	Cover, Brake Adjuster	1976-86	Drum			J3201957
25	Cable, Automatic Adjust	1976-78	11" x 2"	Front or Rear		J0943138
		1978-86	10" x 1¾"	Rear		J3201027
26	Guide, Automatic Adjust Cable	1976-78	11" x 2"	Front or Rear		J3201947
27	Retainer, Lever	1981-86	10" x 1¾"	Rear, L or R		J3108202
<b>HUBS, ETC.</b>						
28	Hub	1976	Drum	Front	w/ 1-5/8" Inner Wheel Cup; Includes Cups and Wheel Studs	J8136650
		1976	Drum	Front	w/ 1¾" Inner Wheel Bearing Cup; Includes Cups and Wheel Studs	J8136651
		1977-78	Drum	Front	Includes Cups and Wheel Studs	J8136651
		1978-81	Disc	Front	6-Bolt Flange Mounting; Includes Cups	5358568H
		1981-86	Disc	Front	5-Bolt Flange Mounting; Includes Cups and Wheel Studs	5363421H
		1976-86	All	Rear	w/ AMC 20 Axle; Bare	J8133730
29	Cup, Wheel Bearing	1976	All	Front Inner	1-5/8" O.D. - LM-501310	J0925447
		1976-86	All	Front Inner	1¾" O.D. - LM-102910	J8127630
		1976-86	All	Front Outer	1-5/8" O.D. - LM-501310	J0925447
30	Bearing, Wheel	1976	All	Front Inner	w/ 1-5/8" O.D. Cup- LM-501349	J3156052
		1976-86	All	Front Inner	w/ 1¾" O.D. Cup- LM-102949	J5356661
		1976-86	All	Front Outer	w/ 1-5/8" O.D. Cup- LM-501349	J3156052
31	Bearing Set, Wheel	1976-86	All	Front Inner & Outer		SET45
32	Seal, Hub	1976	All	Front Inner	Used w/ 1-5/8" O.D. Cup	J0938151
		1976-86	All	Front Inner	Used w/ 1¾" O.D. Cup	J5365082
33	Hub and Drum Assembly	1976-78	11" x 2"	Rear	w/ AMC 20 Axle	J5355714
		1978-86	10" x 1¾"	Rear	w/ AMC 20 Axle	J5359029
34	Lock Washer, Wheel Bearing	1976-78	All	Front Inner		JA000865
35	Lock Washer, Wheel Bearing	1976-78	All	Front Outer		JA000867
36	Nut, Axle Bearing	1976-78	All	Front	2 Required Per Wheel	JA000866
37	Washer and Nut Kit, Spindle	1976-86	All	Front	Includes 2 Spindle Nuts and 2 Washers	A867K
38	Gasket, Hub Flange	1976-81	All	Front	w/ 6 Bolts	J0649784
		1981-86	All	Front	w/ 5 Bolts	J5362001
39	Flange, Front Hub	1976-81	All	Front	w/ 6 Bolts	J0999396
		1981-86	All	Front	w/ 5 Bolts	J5362000
40	Manual Locking Hub Set	1976-81	All	Front	w/ 6 Bolts	400502
		1981-86	All	Front	w/ 5 Bolts	400526
41	Stud, Wheel	1976-78	Drum	Front		J5353025
		1977-86	Disc	Front		J5357196
		1976-86	All	Rear		J5355719
42	Wheel Nut	1976-86	All	Front or Rear	Right Hand Threads; Open-Ended; 1/2"-20	J0635516
		1977-86	All	Front or Rear	Right Hand Threads; Chrome Capped; 1/2"-20	J4005694
43	Socket, Spindle Nut	All	All	Front		A692N

Continued on next page

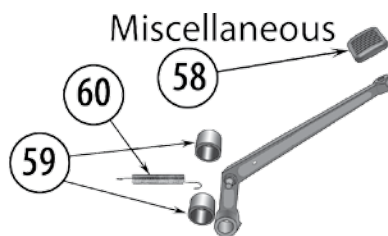
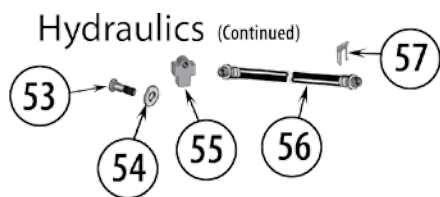


# Brake

# 1976-1986 CJ-7, 1981-1986 CJ-8



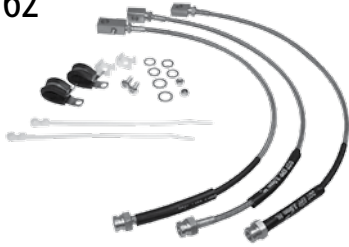
Item #	Description	Years	Size	Position	Comments	Replaces Part #
<b>HYDRAULICS</b>						
44	Booster, Brake	1982-86			Includes Boot	J8133909
45	Valve, Brake Booster Check	1982-86			w/ Power Brakes	J4487455
46	Grommet, Brake Booster	1982-86			w/ Power Brakes	4723640
47	Master Cylinder	1976			"A" Cover	J8127792
		1976-78	Drum		"A" Cover, w/o Power Brakes	J8127792
		1977-78	Disc		"B" Cover, w/o Power Brakes w/ 6-Bolt Caliper Brackets	83300115
		1978-86	Disc		"B" Cover, w/o Power Brakes w/ 2-Bolt Caliper Brackets	J8134270
		1977-78	Disc		"B" Cover, w/ Power Brakes w/ 6-Bolt Caliper Brackets	J8127821
		1978-86	Disc		"B" Cover, w/ Power Brakes w/ 2-Bolt Caliper Brackets	83300111
48	Repair Kit, Master Cylinder	1976-78	Drum			J8127772
		1976-86	Disc			J8134247
		1978-86	Disc		"A" Cover	J8134266
		1984-86	Disc		"B" Cover	83500896
49	Wheel Cylinder	1976-78	11" x 2"	Front Left	1-1/8" Bore	J8126766
		1976-78	11" x 2"	Front Right	1-1/8" Bore	J8126692
		1976-78	11" x 2"	Left Rear	7/8" Bore	52000849
		1976-78	11" x 2"	Right Rear	7/8" Bore	52000848
		1978-86	10" x 1 3/4"	Left Rear	7/8" Bore	52000849
		1978-86	10" x 1 3/4"	Right Rear	7/8" Bore	52000848
50	Repair Kit, Wheel Cylinder	1976-78	11" x 2"	Front	1-1/8" Bore	J8126753
		1976-78	11" x 2"	Rear	7/8" Bore	83500987
		1976-78	11" x 2"	Rear	15/16" Bore	J8125880
		1976-78	11" x 2"	Rear	1" Bore	8126964
		1978-86	10" x 1 3/4"	Rear	7/8" Bore	83500987
51	Screw, Bleeder	1978-86	Disc	Front		J8129722
		1978-86		Rear		J8129722
52	Cap, Bleeder Screw	1978-86	All	Front or Rear		5093278AB



Item #	Description	Years	Size	Position	Comments	Replaces Part #
53	Bolt, Brake Hose	1976-81 1982-86	Disc Disc	Front Front		J3225703 6035911AA
54	Washer, Brake Hose	1976-81 1982-86	Disc Disc	Front, L or R Front, L or R		J3227849 J3236434
55	Brake Tee	1976-78	11" x 2"	Front or Rear	Mounts to Axle	J0637432
56	Brake Hose	1976-78 1976-78 1978-81 1982-86 1982-86 1976-78 1978-86	11" x 2" Disc Disc Disc Disc 11" x 2" 10" x 1 3/4"	Front Front Front L or R Front Left Front Right Rear Rear	Frame to Axle; 15" Long Round End Hose; Frame to Caliper Square End Hose; Frame to Caliper Frame to Caliper Frame to Caliper Frame to Axle; 17 3/4" Long Frame to Axle; 18 3/4" Long	J5356054 J5356598 J5359037 J5363908 J5363756 J5359570 J5362842
57	Clip, Brake Hose	All	All	All		J0637427
<b>MISCELLANEOUS</b>						
58	Pad, Brake Pedal	1976-86	All		w/ Manual Transmission; Rubber	J5363508
59	Bushing, Brake Pedal	1976-86	All		Bronze	J0946177
60	Spring, Pedal Return	1976-86	All			J5351118
<b>PARKING BRAKE</b>						
61	Cable, Parking Brake	1976-86 CJ-7 1981-83 CJ-8 1976-78 CJ-7 1976-78 CJ-7 1978-80 CJ-7 1981-86 CJ-7, 8 1978-80 CJ-7 1981-86 CJ-7, 8	10" x 1 3/4" 10" x 1 3/4" 11" x 2" 11" x 2" 10" x 1 3/4" 10" x 1 3/4" 10" x 1 3/4" 10" x 1 3/4"	Front Front Rear Left Rear Right Rear Left Rear Left Rear Right Rear Right	Pedal to Equalizer; 61 3/4" Long Pedal to Equalizer; 71-5/8" Long Equalizer to Wheels; Bolt-On; 30.5" Long Equalizer to Wheels; Bolt-On; 62" Long Equalizer to Wheels; 31-1/4" Long Equalizer to Wheels; 33-5/8" Long Equalizer to Wheels; 60-1/2" Long Equalizer to Wheels; 61-1/4" Long	J5353238 J5355286 J5355325 J5355324 J3233903 J3242203 J3233904 J3239949

Continued on next page

62



63

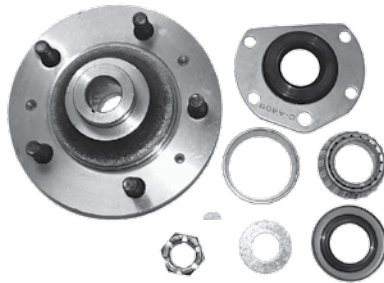


Item #	Description	Years	Size	Position	Comments	Replaces Part #
<b>RT OFF-ROAD</b>						
62	Stainless Steel Brake Hose Kit	1982-86		Front and Rear	w/ 0" to 4" of Lift	RT31016
63	HD Brake Booster Kit	1976-86 1976-86			w/ 1-1/8" Bore Master Cylinder w/ 1" Bore Master Cylinder	RT31010 RT31011

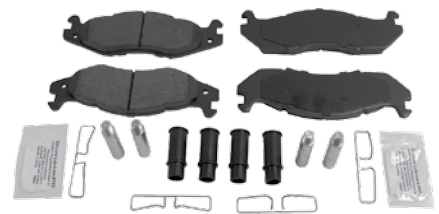
64



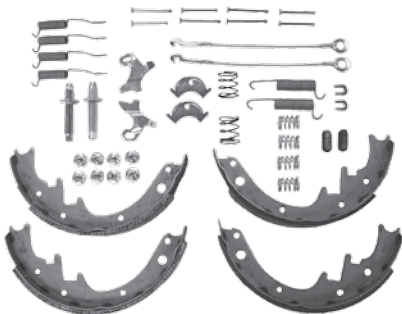
65



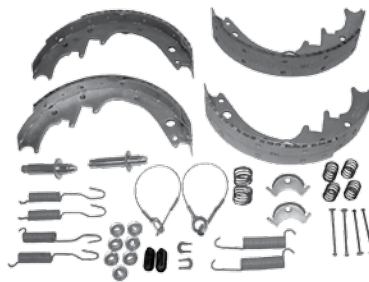
66



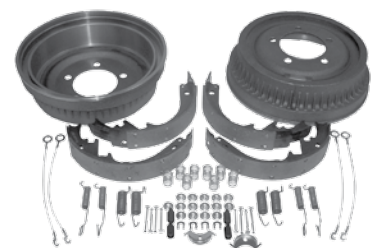
67

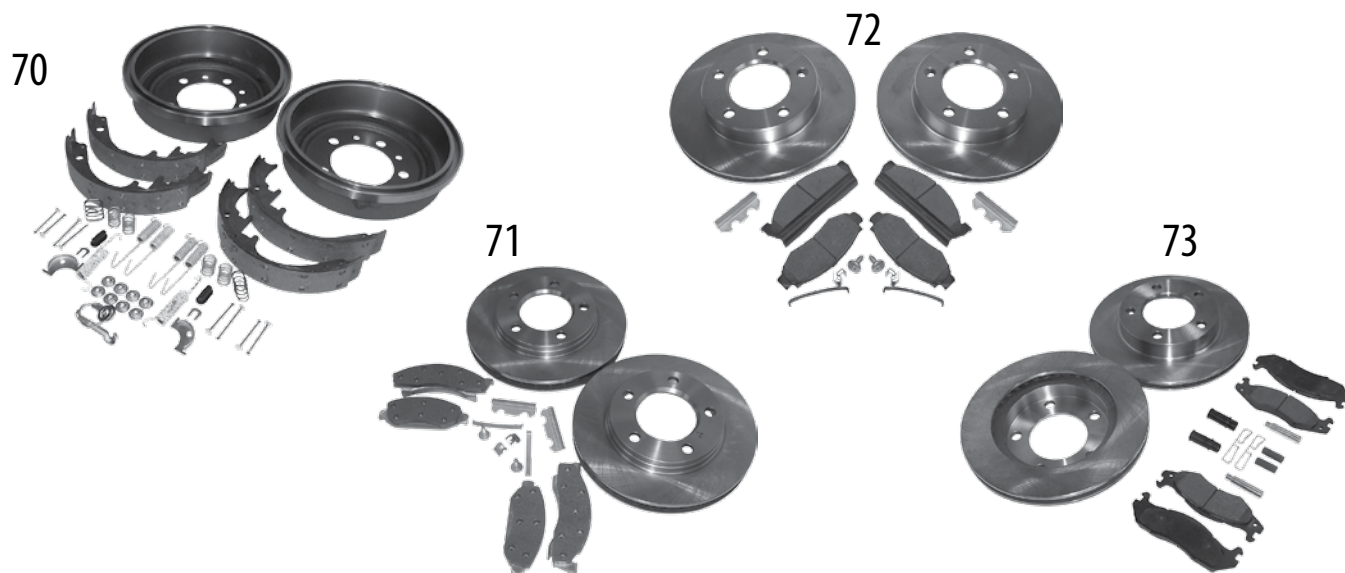


68



69





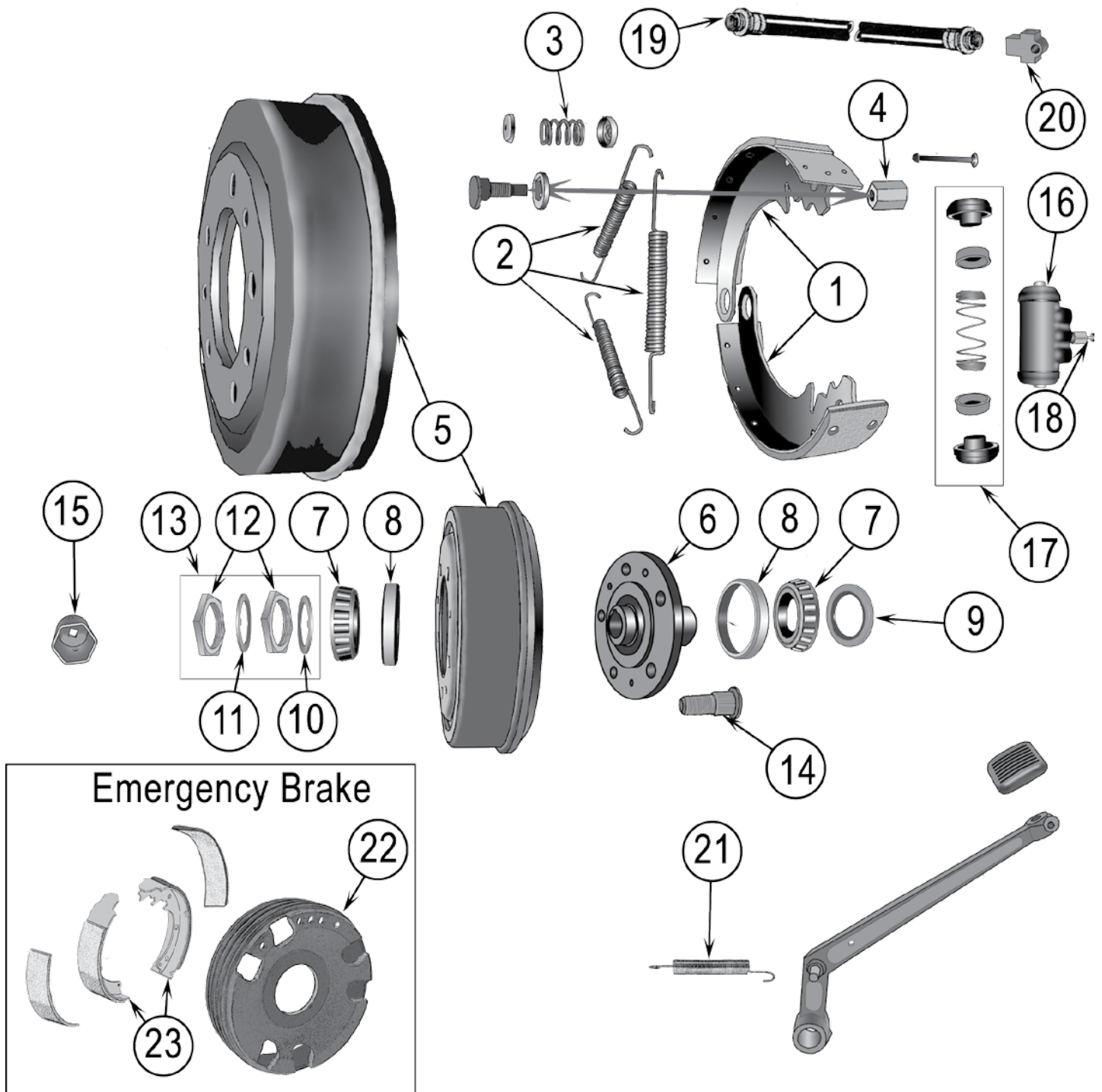
Item #	Description	Years	Size	Position	Comments	Replaces Part #
<b>CROWN KITS</b>						
64	Wheel Bearing Kit	1976-86	Disc	Front	Includes Bearings and Seals	5356661K
65	Hub Kit	1976-86		Rear	w/ AMC 20 Axle; Includes Bearings, Seals, and Hardware	8133730K
66	Pad Set Master Kit	1982-86		Front	Includes Pads, Bushings, Clips, and Bolts	83501167MK
67	Shoe Set Master Kit	1982-86	10" x 1-3/4"	Rear	Includes Shoe Set and Hardware	8133818MK
68	Shoe Set Master Kit	1986	10" x 1-3/4"	Rear	Includes Shoe Set and Hardware; w/ Dana 44 Axle	8133818MK44
69	Brake Drum Service Kit	1976-78	11" x 2"	Front or Rear	Includes 2 Drums, Shoe Set, and Hardware	5352476K
70	Brake Drum Service Kit	1978-86	10" x 1-3/4"	Rear	Includes 2 Drums, Shoe Set, and Hardware	52002952K
71	Disc Brake Service Kit	1976-78	Disc	Front	w/ 6-Bolt Caliper Brackets	5356183RK
72	Disc Brake Service Kit	1978-81	Disc	Front	w/ 6-Bolt Flange Mounting w/ 2-Bolt Caliper Brackets	5358568RK
73	Disc Brake Service Kit	1982-86	Disc	Front	w/ 5-Bolt Flange Mounting	5363421RK

# Brake

1956-1964 FC-150, 1957-1964 FC-170

11" x 2" Eccentric Adjusting

Front or Rear



# 1956-1964 FC-150, 1957-1964 FC-170

# Brake

Item #	Description	Application	Size	Location	Comments	Replaces Part #
<b>FRONT AND REAR DRUM BRAKES</b>						
1	Shoe and Lining Set	All	11" x 2"	Front or Rear		8126685
2	Spring, Brake Shoe Return	All	11" x 2"	Front or Rear	Upper	J0924057
		All	11" x 2"	Front or Rear	Lower	J0909889
3	Spring, Brake Shoe Hold Down	All	11" x 2"	Front or Rear	2 Required Per Wheel	J0641997
4	Nut, Brake Shoe Eccentric	All	11" x 2"	Front or Rear	2 Required Per Wheel	J0648348
5	Drum	All	11" x 2"	Front or Rear		J0941877
<b>HUBS, ETC.</b>						
6	Hub	All	11" x 2"	Rear	w/ Dana 44 Rear Axle w/ Tapered Axle Shafts	J0811351
7	Bearing, Wheel	All	11" x 2"	Front Inner or Outer	w/ Bearing Marked 18590	J0052942
		All	11" x 2"	Front Inner	w/ Bearing Marked 24870	J3105346
		All	11" x 2"	Front Outer	w/ Bearing Marked LM-501349	J3156052
8	Cup, Wheel Bearing	All	11" x 2"	Front Inner or Outer	w/ Cup Marked 18520	J0052943
		All	11" x 2"	Front Inner		917773*
		All	11" x 2"	Front Outer	w/ Cup Marked LM-501310	J0925447
9	Seal, Hub	All	11" x 2"	Front	w/ Bearing Marked 18590	J0805150
		All	11" x 2"	Front	w/ Bearing Marked LM-501349	J0938151
10	Lock Washer, Wheel Bearing	All	11" x 2"	Front Inner		JA000865
11	Lock Washer, Wheel Bearing	All	11" x 2"	Front Outer		JA000867
12	Nut, Axle Bearing	All	11" x 2"	Front	2 Required Per Wheel	JA000866
13	Washer and Nut Kit, Spindle	All	11" x 2"	Front	Includes 2 Spindle Nuts and 2 Washers	A867K
14	Stud, Wheel	All	11" x 2"	Front	w/ Bearing Marked 18590; Left Hand Threads	JA000473
		All	11" x 2"	Front	w/ Bearing Marked 18590; Right Hand Threads	A474
		All	11" x 2"	Front	w/ Bearing Marked LM-501349; Right Hand Threads	J0945451
		All	11" x 2"	Rear	w/ Dana 44 Rear Axle w/ Tapered Axle Shafts; Left Hand Threads	JA000473
		All	11" x 2"	Rear	w/ Dana 44 Rear Axle w/ Tapered Axle Shafts; Right Hand Threads	A474
15	Socket, Spindle Nut	All	11" x 2"	Front		A692N
<b>HYDRAULICS</b>						
16	Wheel Cylinder	All	11" x 2"	Front Left	1-1/8" Bore	J8126741
		All	11" x 2"	Front Right	1-1/8" Bore	J0649948
		All	11" x 2"	Rear Left	1" Bore	J0802951
		All	11" x 2"	Rear Right	1" Bore	649941
17	Repair Kit, Wheel Cylinder	All	11" x 2"	Rear	1" Bore	J0115962
18	Bleeder Screw	All	11" x 2"	F or R, L or R		J0643841
19	Brake Hose	FC-150	11" x 2"	Front Center	Frame to Axle; 12" Long	J0800896
		FC-150	11" x 2"	Rear Center	Frame to Axle; 16" Long	J0937884
		FC-170	11" x 2"	Front or Rear Center	Frame to Axle; 19-1/8" Long	J0991360
20	Brake Tee	All	11" x 2"	Front or Rear	Mounts to Axle	J0637432
<b>MISCELLANEOUS</b>						
21	Spring, Brake Pedal Return	All	11" x 2"			J0641723
<b>EMERGENCY BRAKE</b>						
22	Drum, Emergency Brake	All				A9332
23	Shoe Set, Emergency Brake	All				J0643055

\* Not Currently Available

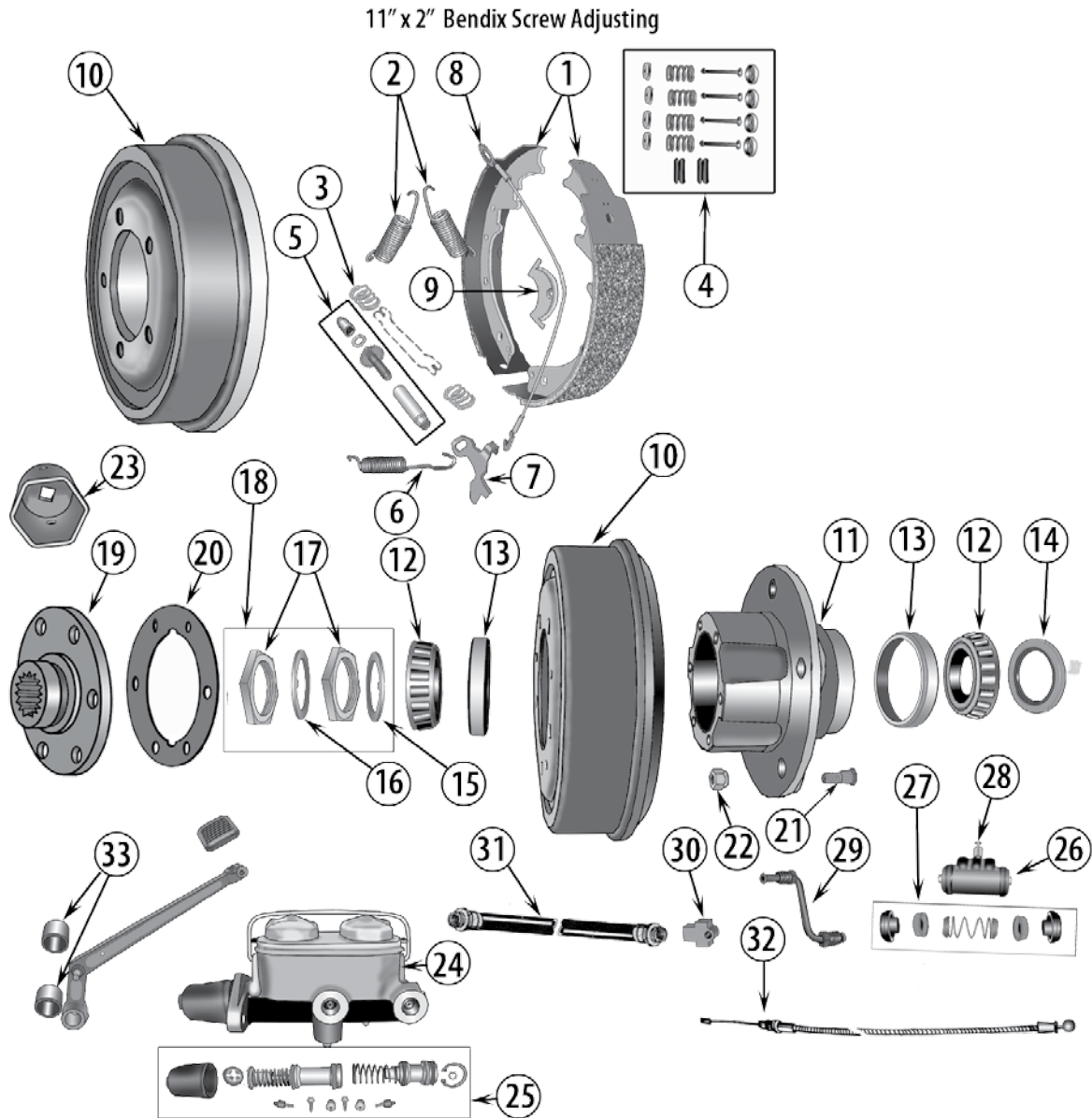


# Brake

## 1966-1971 C101 Commando, 1972-1973 C104 Commando

C101 - 10" x 2" Screw Adjusting  
 C104 - 11" x 2" Bendix Screw Adjusting

Front or Rear  
 Front or Rear



Item #	Description	Application	Size	Location	Comments	Replaces Part #
<b>FRONT AND REAR DRUM BRAKES</b>						
1	Shoe and Lining Set	C101	10" x 2"	Front or Rear		J8120393
		C104	11" x 2"	Front or Rear		J8130067
2	Spring, Brake Shoe Return	C101	10" x 2"	Front or Rear		J0938111
		C104	11" x 2"	Front or Rear	Upper; 2 Required Per Wheel	J0937953
3	Spring, Parking Brake Lever Strut	C104	11" x 2"	Rear		83504310
4	Hold Down Kit, Brake Shoe	C104	11" x 2"	Front or Rear		J0937952
5	Adjuster Kit, Brake Shoe	C101	10" x 2"	Left Front		52001215
		C101	10" x 2"	Right Front		52001216
		C101	10" x 2"	Left Rear		52001216
		C101	10" x 2"	Right Rear		52001215
		C104	11" x 2"	Left Front or Rear		943131A
		C104	11" x 2"	Right Front or Rear		943132A

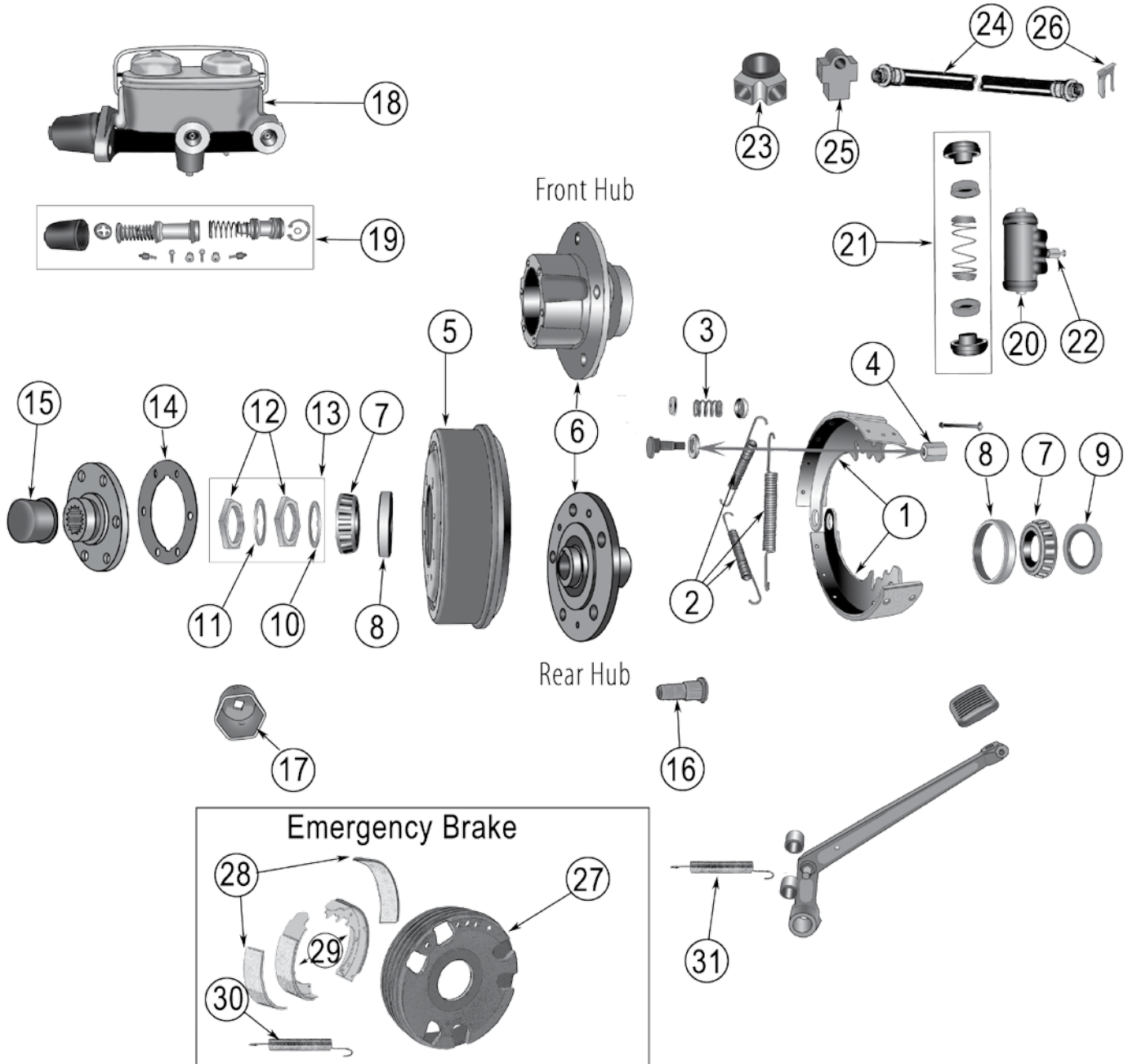
Item #	Description	Application	Size	Location	Comments	Replaces Part #
6	Spring, Adjusting Screw	C101	10" x 2"	Front or Rear		J0945306
		C104	11" x 2"	Front or Rear		J0943136
7	Lever, Automatic Adjust	C104	11" x 2"	Left Front or Rear		J0943140
		C104	11" x 2"	Right Front or Rear		J0943141
8	Cable, Automatic Adjust	C104	11" x 2"	Front or Rear		J0943138
9	Guide, Automatic Adjust Cable	C104	11" x 2"	Front or Rear		J3201947
10	Drum	C101	10" x 2"	Front or Rear		J0994306
<b>HUBS, ETC.</b>						
11	Hub	C101, C104	All	Front		J8136650
12	Bearing, Wheel	C101, C104	All	Front Inner or Outer		J3156052
13	Cup, Wheel Bearing	C101, C104	All	Front Inner or Outer		J0925447
14	Seal, Hub	C101, C104	All	Front		J0938151
15	Lock Washer, Wheel Bearing	C101, C104	All	Front Inner		JA000865
16	Lock Washer, Wheel Bearing	C101, C104	All	Front Outer		JA000867
17	Nut, Axle Bearing	C101, C104	All	Front	2 Required Per Wheel	JA000866
18	Washer and Nut Kit, Spindle	C101, C104	All	Front	Includes 2 Spindle Nuts and 2 Washers	A867K
19	Flange, Front Hub	C104	All	Front	w/ 6 Bolts	J0999396
20	Gasket, Hub Flange	C101, C104	All	Front	w/ 6 Bolts	J0649784
21	Stud, Wheel	C101	All	Front		J0945451
		C101	All	Rear	w/ Tapered Axle Shafts; Left Hand Threads	JA000473
		C101	All	Rear	w/ Tapered Axle Shafts; Right Hand Threads	J5353025
		C101, C104	All	Rear	w/ Flanged Axle Shafts	J5355719
22	Wheel Nut	C101, C104	All	Front or Rear	Right Hand Threads; Open-Ended; 1/2"-20	J0635516
		C101	All	Front or Rear	Left Hand Threads; Open-Ended; 1/2"-20	J0636035
23	Socket, Spindle Nut	All	All	Front		A692N
<b>HYDRAULICS</b>						
24	Master Cylinder	C104	11" x 2"			J8126737
25	Repair Kit, Master Cylinder	C104	11" x 2"			J8126747
26	Wheel Cylinder	C101	10" x 2"	Front Left or Right	1" Bore	J0938115
		C101	10" x 2"	Front Left or Right	1-1/8" Bore	J0991526
		C101	10" x 2"	Left Rear	13/16" Bore	J8126744
		C101	10" x 2"	Right Rear	13/16" Bore	J8136612
		C104	11" x 2"	Left Rear	15/16" Bore	J8126775
		C104	11" x 2"	Right Rear	15/16" Bore	J8124799
27	Repair Kit, Wheel Cylinder	C101	10" x 2"	Front	1" Bore	J8126751
		C101, C104	All	Front	1-1/8" Bore	J8126753
		C101	10" x 2"	Rear	1" Bore	J8126751
		C104	11" x 2"	Rear	7/8" Bore	83500987
		C104	11" x 2"	Rear	15/16" Bore	J8125880
		C104	11" x 2"	Rear	1" Bore	8126964
28	Bleeder Screw	C101		F or R, L or R		J0643841
29	Brake Tube	C101	10" x 2"	Front Left or Right		J0937325
30	Brake Tee	C101, C104	All	Front or Rear	Mounts to Axle	J0637432
31	Brake Hose	C101	10" x 2"	Front Center	Frame to Axle; 10" Long	J0937347
		C104	11" x 2"	Front Center	Frame to Axle; 15" Long	J5350663
<b>PARKING BRAKE</b>						
32	Cable, Parking Brake	C104	11" x 2"	Front	w/ Automatic Transmission; Pedal to Equalizer	J0999898
		C104	11" x 2"	Rear	Equalizer to Wheels; 107" Long	J0999895
		C101	10" x 2"	Front	Handle to Equalizer; 60" Long	J0945270
33	Bushing, Brake Pedal	C101			Bronze	J0946177

# Brake

1947-1965 Willys Pickup (PU), 1948-1963 Willys Sedan Delivery (SD),  
1946-1964 Willys Station Wagon (SW), 1948-1950 VJ Jeepster

SD, SW, VJ - 10" x 1-3/4" Eccentric Adjusting  
PU, SW, SD - 11" x 2" Eccentric Adjusting

Front or Rear  
Front or Rear



Item #	Description	Application	Size	Location	Comments	Replaces Part #
<b>FRONT AND REAR DRUM BRAKES</b>						
1	Shoe and Lining Set	PU, SW, SD	11" x 2"	Front or Rear		8126685
2	Spring, Brake Shoe Return	PU, SW, SD	11" x 2"	Front or Rear	Upper	J0924057
		PU, SW, SD	11" x 2"	Front or Rear	Lower	J0909889
3	Spring, Brake Shoe Hold Down	PU, SW, SD	11" x 2"	Front or Rear	2 Required Per Wheel	J0641997
4	Nut, Brake Shoe Eccentric	PU, SW, SD	11" x 2"	Front or Rear	2 Required Per Wheel	J0648348
5	Drum	PU, SW, SD	11" x 2"	Front or Rear		J0941877

Item #	Description	Application	Size	Location	Comments	Replaces Part #
<b>HUBS, ETC.</b>						
6	Hub	PU, SD, SW	All	Front	w/ Bearing Marked 18590	J0909548
		PU, SD, SW	All	Front	w/ Bearing Marked LM-501349	J8136650
		SW, SD	All	Rear	w/ Dana 44 Rear Axle	J0811351
		PU	All	Rear	w/ Dana 53 Rear Axle	J0912647
7	Bearing, Wheel	PU, SD, SW	All	Front Inner or Outer	w/ BearingMarked 18590	J0052942
		PU, SD, SW	All	Front Inner or Outer	w/ Bearing Marked LM-501349	J3156052
8	Cup, Wheel Bearing	PU, SD, SW	All	Front Inner or Outer	w/ Cup Marked 18520	J0052943
		PU, SD, SW	All	Front Inner or Outer	w/ Cup Marked LM-501310	J0925447
9	Seal, Hub	PU, SD, SW	All	Front	w/ Bearing Marked 18590	J0805150
		PU, SD, SW	All	Front	w/ Bearing Marked LM-501349	J0938151
10	Lock Washer, Wheel Bearing	PU, SD, SW	All	Front Inner		JA000865
11	Lock Washer, Wheel Bearing	PU, SD, SW	All	Front Outer		JA000867
12	Nut, Axle Bearing	PU, SD, SW	All	Front	2 Required Per Wheel	JA000866
13	Washer and Nut Kit, Spindle	PU, SD, SW	All	Front	Includes 2 Spindle Nuts and 2 Washers	A867K
14	Gasket, Hub Flange	PU, SD, SW	All	Front		J0649784
15	Dust Cap	PU, SD, SW	All	Front	w/ Dana 25 w/ Bearing Marked 18590	J5362283
16	Stud, Wheel	PU, SD, SW	All	Front	w/ Bearing Marked 18590; Left Hand Threads	JA000473
		PU, SD, SW	All	Front	w/ Bearing Marked 18590; Right Hand Threads	A474
		PU, SD, SW	All	Rear	w/ Dana 44 Rear Axle w/ Tapered Axle Shafts; Left Hand Threads	JA000473
		PU, SD, SW	All	Rear	w/ Dana 44 Rear Axle w/ Tapered Axle Shafts; Right Hand Threads	A474
17	Socket, Spindle Nut	PU, SD, SW	All	Front		A692N
<b>HYDRAULICS</b>						
18	Master Cylinder	SW, SD, VJ	All		Single Reservoir	J8136618
		PU	All		w/o 6-230 Engine; Single Reservoir	J8136618
		PU	All		w/ 6-230 Engine	932829
19	Repair Kit, Master Cylinder	SW, SD, VJ	All			805654
		PU	All		w/o 6-230 Engine	805654
		PU	All		w/ 6-230 Engine	J0932833
20	Wheel Cylinder	PU, SW, SD	11" x 2"	Front Left	1-1/8" Bore	J8126741
		PU, SW, SD	11" x 2"	Front Right	1-1/8" Bore	J0649948
		PU, SW, SD	11" x 2"	Rear Left	1" Bore	J0802951
		PU, SW, SD	11" x 2"	Rear Right	1" Bore	649941
21	Repair Kit, Wheel Cylinder	PU, SW, SD	11" x 2"	Rear	1" Bore	J0115962
22	Bleeder Screw	SD, SW, VJ	All	F or R, L or R		J0643841
23	Fitting, Master Cylinder	PU, SW, SD, VJ	All		"Y" Fitting	637603*
24	Brake Hose	PU, SW, SD, VJ	All	Front or Rear	15-1/2" Long	J0645544
25	Brake Tee	PU, SW, SD, VJ	All	Front or Rear	Mounts to Axle	J0637432
26	Clip, Brake Hose	PU, SW, SD, VJ	All	Front or Rear		J0637427
<b>EMERGENCY BRAKE</b>						
27	Drum, Emergency Brake	PU, SW, SD			w/ Transfer Case Brake	A9332
28	Lining Kit, Emergency Brake	PU, SW, SD			w/ Transfer Case Brake	116712*
29	Shoe Set, Emergency Brake	PU, SW, SD			w/ Transfer Case Brake	J0643055
30	Spring, Emergency Brake Return	PU, SW, SD			w/ Transfer Case Brake	J0641727
<b>MISCELLANEOUS</b>						
31	Spring, Brake Pedal	PU, SW				J0641723

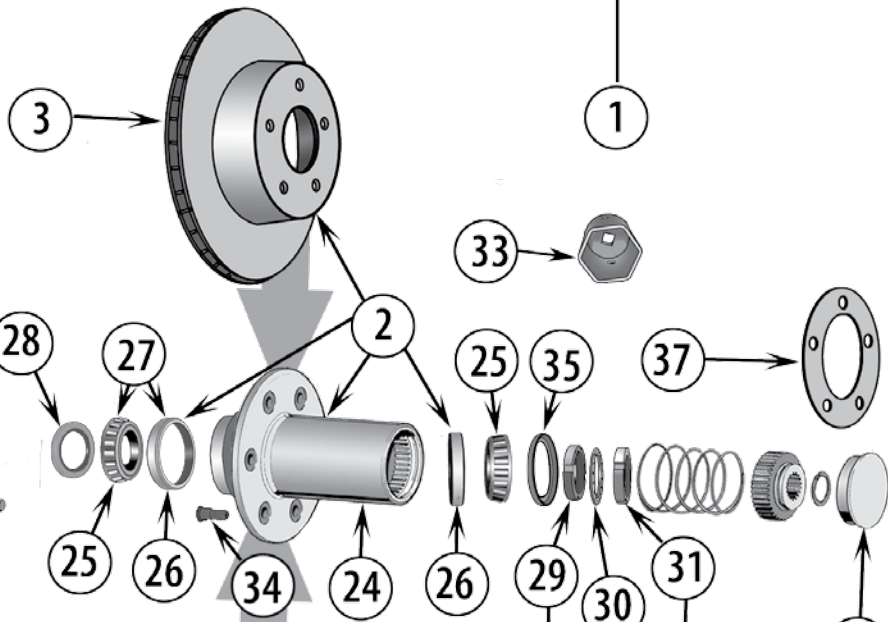
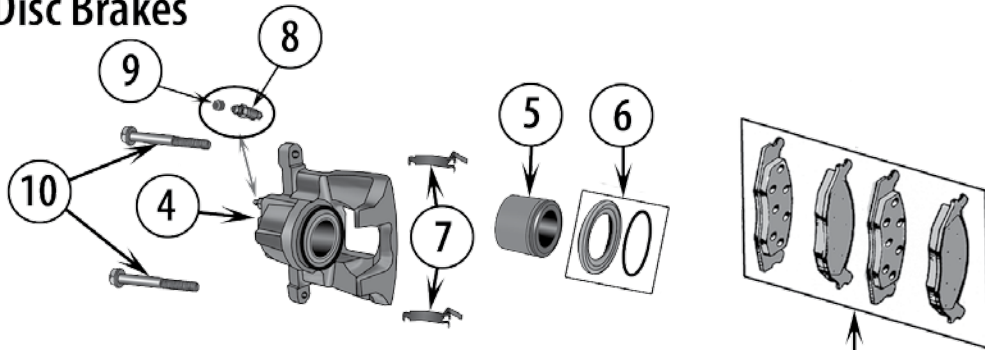
\*Not Currently Available

1963-1973 SJ, J-Series  
 1963-1973 J-Series  
 1974-1991 SJ, J-Series  
 1979-1988 J-Series  
 1974-1991 SJ, J-Series  
 1979-1988 J-Series

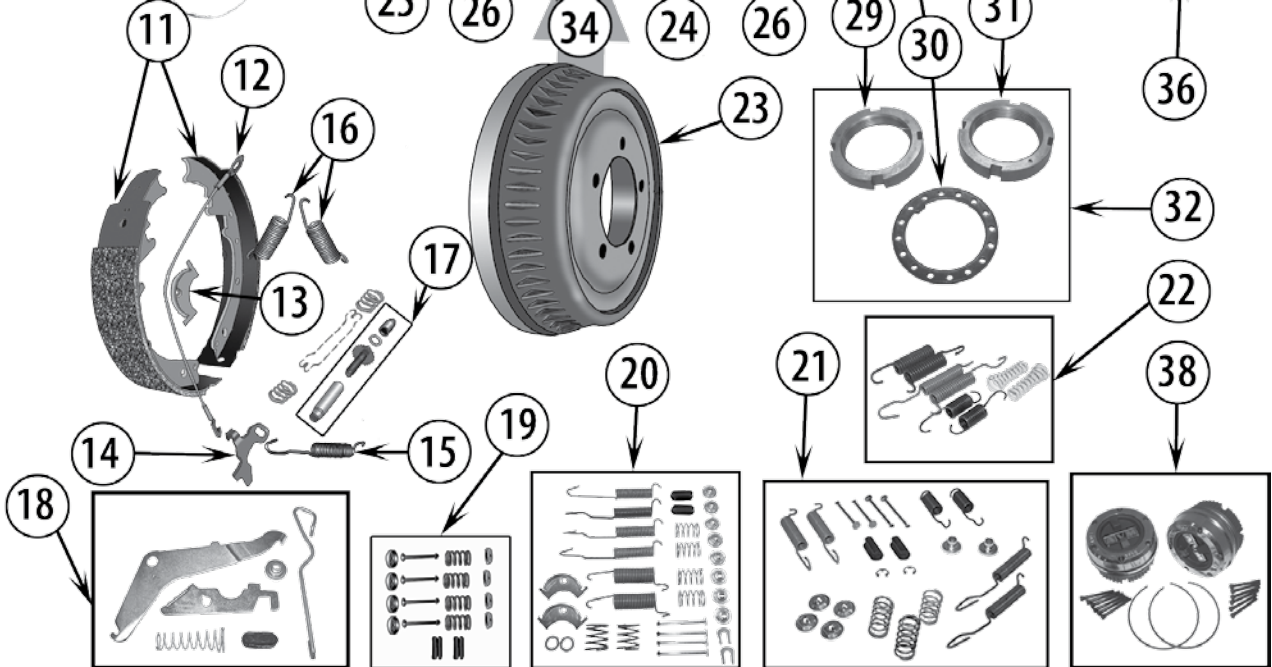
11" x 2" Bendix Screw Adjusting  
 12" x 2" Screw Adjusting  
 11" x 2" Delco Screw Adjusting  
 12" x 2-1/2" Screw Adjusting  
 11" x 7/8" Disc Brake  
 12" x 1/2" Disc Brake

Front or Rear  
 Rear  
 Rear  
 Rear  
 Front  
 Front

## Disc Brakes



## Drum Brakes



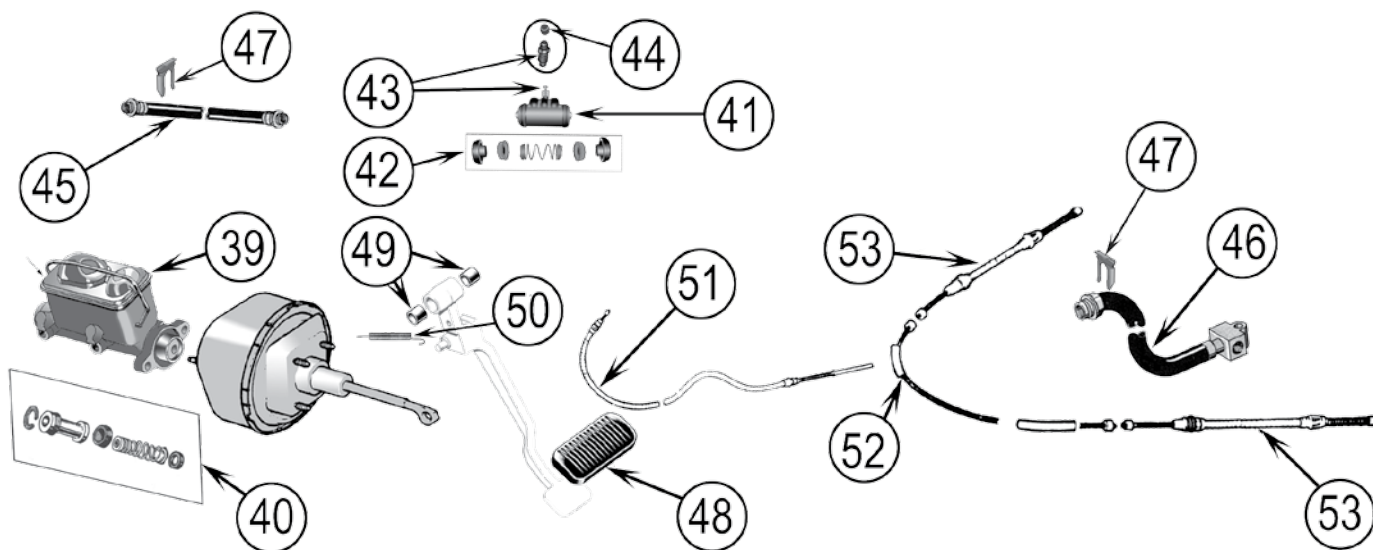


Item #	Description	Application	Size	Location	Comments	Replaces Part #
<b>FRONT DISC BRAKES</b>						
1	Pad Set	1974-91 SJ, J-Series				83504371
2	Hub and Rotor Assembly	1974-91 SJ, J-10 1979-88 J-20			6 on 5.5" Bolt Pattern 8 on 6.5" Bolt Pattern	J5357391* J5359275
3	Rotor Only	1974-91 SJ, J-10 1979-88 J-20			6 on 5.5" Bolt Pattern 8 on 6.5" Bolt Pattern	5357391R 5359275R
4	Caliper Assembly	1974-78 SJ, J-Series 1974-78 SJ, J-Series 1979-91 SJ, J-Series 1979-91 SJ, J-Series		Right Left Right Left	Less Pads Less Pads Less Pads Less Pads	J8124379 J8124378 83501980* 83501981*
5	Piston, Caliper	1974-91 SJ, J-Series			Piston Only	J8124571
6	Seal Kit, Caliper	1974-91 SJ, J-Series			Includes 1 Seal and 1 Boot	J8126755
7	Spring, Caliper Support	1974-91 SJ, J-Series				J8124573
8	Bleeder Screw	1974-91 SJ, J-Series 1974-91 SJ, J-Series		Front Rear	3/8"-24 5/16"-24	J8129722 J8127925
9	Cap, Bleeder Screw	1981-91 SJ, J-Series		Front		5093278AB
10	Bolt, Caliper Housing	1974-91 SJ, J-Series				J8124572
<b>FRONT AND REAR DRUM BRAKES</b>						
11	Shoe and Lining Set	1963-73 SJ, J-Series 1974-76 SJ, J-Series 1974-91 SJ, J-10 1979-88 J-20	11" x 2" Bendix 11" x 2 1/2" 11" x 2" Delco 12" x 2 1/2"	Front or Rear Front Rear Rear		J8130067 J8124580 J8127782 J8130362
12	Cable, Automatic Adjust	1963-73 SJ, J-Series 1963-73 J-Series	11" x 2" Bendix 12" x 2"	Front or Rear Rear		J0943138 J0943147
13	Guide, Automatic Adjust Cable	1963-73 SJ, J-Series	11" x 2" Bendix	Front or Rear		J3201947
14	Lever, Automatic Adjust	1963-73 SJ, J-Series 1963-73 SJ, J-Series 1963-73 J-Series 1963-73 J-Series	11" x 2" Bendix 11" x 2" Bendix 12" x 2" 12" x 2"	F or R Left F or R Right Rear Left Rear Right		J0943140 J0943141 J0943148* J0943149
15	Spring, Adjusting Screw	1963-73 SJ, J-Series	11" x 2" Bendix	Front or Rear		J0943136
16	Spring, Brake Shoe Return	1963-73 SJ, J-Series	11" x 2" Bendix	Front or Rear	Upper; 2 Required Per Wheel	J0937953
17	Adjuster Kit, Brake Shoe	1963-73 SJ, J-Series 1963-73 SJ, J-Series 1974-76 SJ, J-10 1974-76 SJ, J-10 1977-91 SJ, J-10 1977-91 SJ, J-10	11" x 2" Bendix 11" x 2" Bendix 11" x 2" Delco 11" x 2" Delco All All	Left F or R Right F or R Left Rear Right Rear Left Rear Right Rear		943131A 943132A J8124517 J8124518 J8127785 J8127786 *
18	Automatic Adjuster Kit, Brake Shoe	1979-88 J-20 1979-88 J-20	12" x 2 1/2" 12" x 2 1/2"	Rear Left Rear Right		J8124524 J8124525
19	Hold Down Kit, Brake Shoe	1963-73 SJ, J-Series 1974-91 SJ, J-10 1963-73 J-Series	11" x 2" Bendix 11" x 2" Delco 12" x 2"	Front or Rear Rear Rear	1 Required Per Axle 1 Required Per Axle 1 Required Per Axle	J0937952 J8127784 J0943150
20	Small Parts Master Kit	1965-73 SJ, J-Series 1974-91 SJ, J-10 1979-88 J-20	11" x 2" Bendix 11" x 2" Delco 12" x 2 1/2"	Front or Rear Rear		5352476HK 4636775 4636776
21	Drum Brake Hardware Kit	1978-88 J-20		Rear		H7128

\* Not Currently Available

Continued on next page





Item #	Description	Application	Size	Location	Comments	Replaces Part #
22	Drum Brake Spring Kit	1974-91 SJ, J-10 1980-86 J-20	12" x 2½"	Rear Rear		J8127783 J8124527
23	Drum	1963-73 SJ, J-Series 1974-76 SJ, J-Series 1971-73 SJ, J-Series 1974-91 SJ, J-10 1979-88 J-20	11" x 2" Bendix 11" x 2½" 11" x 2" Bendix 11" x 2" Delco 12" x 2½"	Front Front Rear Rear Rear	Smooth  w/ Dana 44 w/ Flanged Axles	J0999728 J8124900 J0999728 J5359281 J8124957

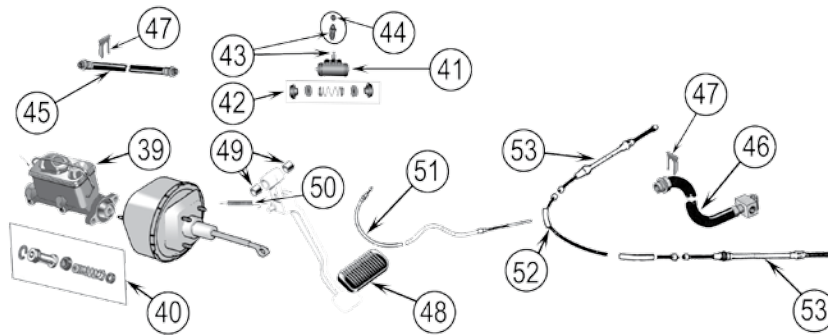
### HUBS, ETC

24	Hub	1963-73 SJ, J-Series 1974-91 SJ, J-10 1979-88 J-20	11" x 2" Bendix All All	Front L or R Front L or R Front L or R	5 on 5.5" Bolt Pattern 6 on 5.5" Bolt Pattern 8 on 6.5" Bolt Pattern	J8136650 5357391H* 5359275H
25	Bearing, Wheel	1963-73 SJ, J-Series 1974-91 SJ, J-Series 1963-91 SJ, J-Series	All All All	Front Inner Front Inner Front Outer		J3156052 J8128841 J3156052
26	Cup, Wheel Bearing	1963-73 SJ, J-Series 1974-91 SJ, J-Series	All All	Front Inner or Outer Inner		J0925447 J5357394
27	Bearing Set, Wheel	1974-91 SJ, J-Series	11"	Front, Outer		SET45
28	Seal, Hub	1963-73 SJ, J-Series 1974-91 SJ, J-10 1974-76 SJ, J-10 1974-77 J-20 1978-86 J-20	All All All All All	Front Front Front Front Front	 w/ Front Disc w/ Front Drum w/ Front Disc	J0938151 J5359703 J5352171 J5359703 J5352637
29	Nut, Wheel Bearing	1974-91 SJ, J-Series	All	Front Inner		J4004816
30	Lock Washer, Wheel Bearing	1974-91 SJ, J-Series	All	Front		J4004815
31	Nut, Wheel Bearing	1974-91 SJ, J-Series	All	Front Outer		J5352169
32	Washer and Nut Kit, Spindle	1974-91 SJ, J-Series	All	Front Inner & Outer		4004816K

\* Not Currently Available

Item #	Description	Application	Size	Location	Comments	Replaces Part #
33	Socket, Spindle Nut	1974-91 SJ, J-Series	All	Front		5352169W
34	Stud, Wheel	1964-76 SJ, J-Series	All	Front	Right Hand Threads	J5353025
		1974-80 SJ, J-Series	All	Front	Less Disc Brakes; 1-11/32"	J8127492
		1974-91 SJ, J-10	All	Front		J8124803
		1979-88 J-20	All	Front		J8124804
		1971-73 SJ, J-Series	All	Rear		J5355719
		1980-86 SJ, J-Series	All	Rear		J3230413
35	Retainer, Wheel Bearing	1974-91 SJ, J-Series	All	Front		J5352650
36	Cap, Wheel Bearing	1974-91 SJ, J-Series	All	Front		J5352268
37	Gasket, Hub Flange	1963-73 SJ, J-Series	All	Front	w/ 2WD	J0649784
38	Manual Locking Hub Set	1974-91 SJ, J-Series	All	Front	w/ Dana 44 Front Axle	400518
<b>HYDRAULICS</b>						
39	Master Cylinder	1965-73 SJ	All		w/ Dual Reservoir Master Cylinder	J8126737
		1967-73 J-Series	All		w/o 13" Rear Brakes	J8126737
		1974-80 SJ, J-Series	All		w/ Power Brakes	J8126739
		1981-91 SJ, J-Series	All			J8133316
40	Repair Kit, Master Cylinder	1965-73 SJ	All		w/ Dual Reservoir Master Cylinder	J8126747
		1967-73 J-Series	All		w/o 13" Rear Brakes	J8126747
		1974-80 SJ, J-Series	All		w/ Power Brakes	J8127771
		1981-91 SJ, J-Series	All			J8133317
41	Wheel Cylinder	1963-73 SJ, J-Series	11" x 2" Bendix	Front Left	1-1/8" Bore	J8126766
		1963-73 SJ, J-Series	11" x 2" Bendix	Front Right	1-1/8" Bore	J8126692
		1974-75 J-Series	12" x 2 1/2" Bendix	Right F or R	1-1/8" Bore w/ Drum Brakes	8124564
		1963-70 SJ, J-Series	11" x 2" Bendix	Rear Left	1" Bore	J0937959
		1963-70 SJ, J-Series	11" x 2" Bendix	Rear Right	1" Bore	J0937960
		1971-73 SJ, J-Series	11" x 2" Bendix	Rear Left	15/16" Bore	J8124799
		1971-73 SJ, J-Series	11" x 2" Bendix	Rear Right	15/16" Bore	J8126775
		1974-91 SJ, J-10	11" x 2" Delco	Rear L or R	USA and Canada	J8129723
		1974-91 SJ, J-10	11" x 2" Delco	Rear L or R	Export	J8130747
		1979-88 J-20	12" x 2 1/2"	Rear L or R		J8129724
42	Repair Kit, Wheel Cylinder	1963-73 SJ, J-Series	11" x 2" Bendix	Front	1-1/8" Bore	J8126753
		1963-70 SJ, J-Series	11" x 2" Bendix	Rear	1" Bore	8126964
		1964-73 SJ, J-Series	11" x 2" Bendix	Rear	7/8" Bore	83500987
		1971-73 SJ, J-Series	11" x 2" Bendix	Rear	15/16" Bore	J8125880
		1974-91 SJ, J-10	11" x 2" Delco	Rear		J8124566
43	Screw, Bleeder	1974-91 SJ, J-Series		Front	3/8"-24	J8129722
		1974-91 SJ, J-Series		Rear	5/16"-24	J8127925
44	Cap, Bleeder Screw	1981-91 SJ, J-Series		Front		5093278AB
45	Brake Hose, Front	1963-64 SJ w/ 4WD	All	Frame to Axle	w/ Dual Reservoir Master Cyl.; 19-1/8" Long	J0991360
		1965-73 SJ w/ 4WD	All	Frame to Axle	w/ Dual Reservoir Master Cylinder; 18" Long	J0946550
		1965-70 SJ w/ 2WD	All	Frame to Axle	15 1/2" Long	J0645544
		1963-73 J-Series	All	Frame to Axle	19-1/8" Long; SJ Cherokee Chief Only	J0991360
		1974-78 SJ, J-Series	All	Right	14" Long; SJ Cherokee Chief Only	J5352688
		1974-78 SJ, J-Series	All	Left	20.5" Long	J5352689
		1979-91 SJ, J-10	All	Left or Right	w/ 119" Wheelbase	J5359322
		1979-88 J-Series	All	Left or Right	w/ 131" Wheelbase	J5359323

Continued on next page



Item #	Description	Application	Size	Location	Comments	Replaces Part #
46	Brake Hose, Rear	1963-64 SJ	All	Frame to Axle	16" Long	J0937884
		1963-64 SJ	All	Frame to Axle	19-1/8" Long	J0991360
		1963-70 SJ	All	Frame to Axle	12" Long	J0800896
		1963-64 J-Series	All	Frame to Axle	w/ 126" Wheelbase; 24" Long	J0930640
		1963-67 J-Series	All	Frame to Axle	w/ 120" Wheelbase; 19-1/8" Long	J0991360
		1965-70 J-Series	All	Frame to Axle	w/ 132" Wheelbase; 16" Long	J0937884
		1965-70 J-Series	All	Frame to Axle	w/o 132" Wheelbase; 24" Long	J0930640
		1974-75 J-Series	All	Frame to Axle	19" Long	J5352701
		1974-76 SJ	All	Frame to Axle	16-1/4" Long	J5355076
		1976-91 SJ, J-10	All	Frame to Axle	w/ 119" Wheelbase; 16-1/4" Long	J5355076
		1979-88 J-10, J-20	All	Frame to Axle	w/ 131" Wheelbase; 20" Long	J5362871
		47	Clip, Brake Hose	1981-91 SJ, J-Series		
<b>MISCELLANEOUS</b>						
48	Pad, Brake Pedal	1963-91 SJ, J-Series			w/ Manual Transmission	J5363508
49	Bushing, Pedal	1963-91 SJ, J-Series			Bronze	J0946177
50	Spring, Pedal Return	1974-90 SJ, J-Series				J5351118
<b>PARKING BRAKE</b>						
51	Cable, Lever to Equalizer	1976-79 SJ, J-Series			w/ V8 w/ Auto Trans	J5355721
		1976-79 SJ, J-Series			w/ 4-Speed Manual	J5355721
		1976-79 SJ, J-Series			w/ TH400 or T18 Transmission	J5355722
		1976-79 SJ, J-Series			w/ 6 Cyl w/ Auto Transmission	J5356189
		1980-91 SJ, J-10			w/ 4-Speed Manual; 45-3/4" Long	J5361026
		1982-91 SJ, J-10			w/ 5-Speed Manual; 51-3/4" Long	J5361029
		1980-88 SJ, J-Series			w/ 4.2L w/ Auto Trans; 51-3/4" Long	J5361029
		1980-91 SJ, J-Series			w/ 5.9L w/ Auto Trans; 45-3/4" Long	J5361026
		1980-88 J-20			w/ 4-Speed Manual; 51-3/4" Long	J5361029
52	Cable, Equalizer to Rear Cable	1976-79 J-Series			w/ Manual Trans.; 80-3/4" Long	J5355333
		1980-91 SJ, J-10			w/ 4-Speed Manual; 47" Long	J5361279
		1980-88 SJ, J-10			w/ 4.2L w/ Auto Trans; 37" Long	J5361280
		1980-91 SJ, J-Series			w/ 5.9L w/ Auto Trans; 47" Long	J5361279
		1980-88 J-20			w/ 4-Speed Manual; 47" Long	J5361280
53	Cable, Rear	1973 SJ		Left or Right		J5351672
		1974-75 SJ		Left or Right		J5354722
		1976 SJ		Left or Right	Less Cherokee Chief	J5357412
		1977-78 SJ		Left or Right		J5357412
		1979 SJ		Left or Right	w/ 45-1/4" Long Cable	J5357412
		1980-91 SJ		Left or Right		J5362132
		1973 J-Series		Left or Right	w/ 119" Wheelbase	J5351672
		1974-75 J-Series		Left or Right	w/ 119" Wheelbase	J5354722
		1974-75 J-Series		Left or Right	w/ 131" Wheelbase	J5352765
		1976-78 J-10		Left or Right	w/ 119" Wheelbase	J5357412
		1979 J-10		Left or Right	w/ 119" Wheelbase; w/ 45-1/4" Long Cable	J5357412
		1980-86 J-10		Left or Right	w/ 119" Wheelbase	J5362131

CJ-5, 6, 7, 8  
SJ, J-Series

## Heater Cores



Applications	Years	Comments	Material	Replaces Part #
CJ-5, 6, 7	1972-77	w/ 2-Speed Motor	Copper	J8125123
CJ-5, 7, 8	1978-86		Aluminum	J5469877
SJ, J-Series	1978-91		Aluminum	J8128784

## Motors, Heater and Defroster Blower



Applications	Years	Comments	Replaces Part #
CJ-5, 6, 7	1976-77	Heater Blower Motor	J8127021
CJ-5, 6, 7	1978-86		56001449
CJ-5, 7, 8	1976-86	A/C Blower Motor; 4 Wires	J8126691
SJ, J-Series	1978-91	Heater Blower Motor	J8127021
SJ, J-Series	1981-85	A/C Blower Motor	J5752943 *
SJ	1986-91	A/C Blower Motor	56002007

## A/C Blower Motor Wheel



Applications	Years	Comments	Replaces Part #
CJ-5, 6, 7	1976-86		J8126991

## Belts, Air Conditioning Drive



Applications	Engine	Years	Comments	Replaces Part #
All	3.8L (6-232), 4.2L (6-258)	1975-80	w/o American Air	JY017561
All	3.8L (6-232), 4.2L (6-258)	1975-81	w/ American Air	JY013541
All	3.8L (6-232), 4.2L (6-258)	1981	Except CA, w/o American Air	JY017561
All	4.2L (6-258)	1982-83	w/ American Air	JY017570
All	4.2L (6-258)	1984-86	w/ American Air	B0015491
All	5.0L (V8-304), 5.9L (V8-360), 6.6L (V8-401)	1977-81	w/o American Air	JY013541

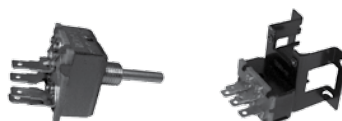
\*Not Currently Available

## Heater and Fresh Air Cables



Applications	Years	Comments	Replaces Part #
CJ-5, 7, 8	1976-86	Temperature Control	J5463656
CJ-5, 7, 8	1976-86	Fresh Air	J5463657
CJ-5, 7, 8	1976-86	Heater and Defrost	J5463655
CJ-5, 7, 8	1976-86	Cable Kit, Temperature, Fresh Air, Heater and Defrost	5463655K

## Switch, Blower Motor



Applications	Years	Comments	Replaces Part #
CJ-5, 7, 8	1977-86		J5462784
SJ, J-Series	1986-91	w/ Factory Air	83502719

## Ducts and Hoses



Applications	Years	Comments	Replaces Part #
CJ-5, 7, 8	1977-86	Defroster Hose	J5462328
CJ-5, 6, 7, 8	1974-86	Floor Duct	55035618

## Dash Lamps



Applications	Years	Comments	Replaces Part #
CJ-5, 7, 8	1976-86	"LIGHTS"	J5752813
CJ-5, 7, 8	1976-86	"WIPER - WASHER"	J5752814
CJ-5, 7, 8	1976-86	"AIR"	J5752815
CJ-5, 7, 8	1976-86	"TEMP"	J5752816
CJ-5, 7, 8	1976-86	"DEF"	J5752817
CJ-5, 7, 8	1976-86	"FAN"	J5752818
CJ-5, 7, 8	1976-86	Kit including Lights, Wiper/Washer, Air, Temp, Defrost and Fan	5752813K

## **4-134 Models, F-Head and L-Head Engines . . . . . 11-2**

CJ-2A, 3A, 3B, 5, 6, FC-150, C101 Commando,  
Willys Jeepster, Pickup Sedan Delivery  
and Station Wagon

## **V6-225 Engine . . . . . 11-3**

1966-1971 CJ-5, 6

## **3.8L (6-232), 4.2L (6-258) Engines . . . . . 11-3**

1966-1986 CJ-5, 6, 7, 8, C104 Commando

## **GM 2.5L (4-151) Engine . . . . . 11-4**

1980-1983 CJ-5, 7

## **AMC 2.5L (4-150) Engine . . . . . 11-4**

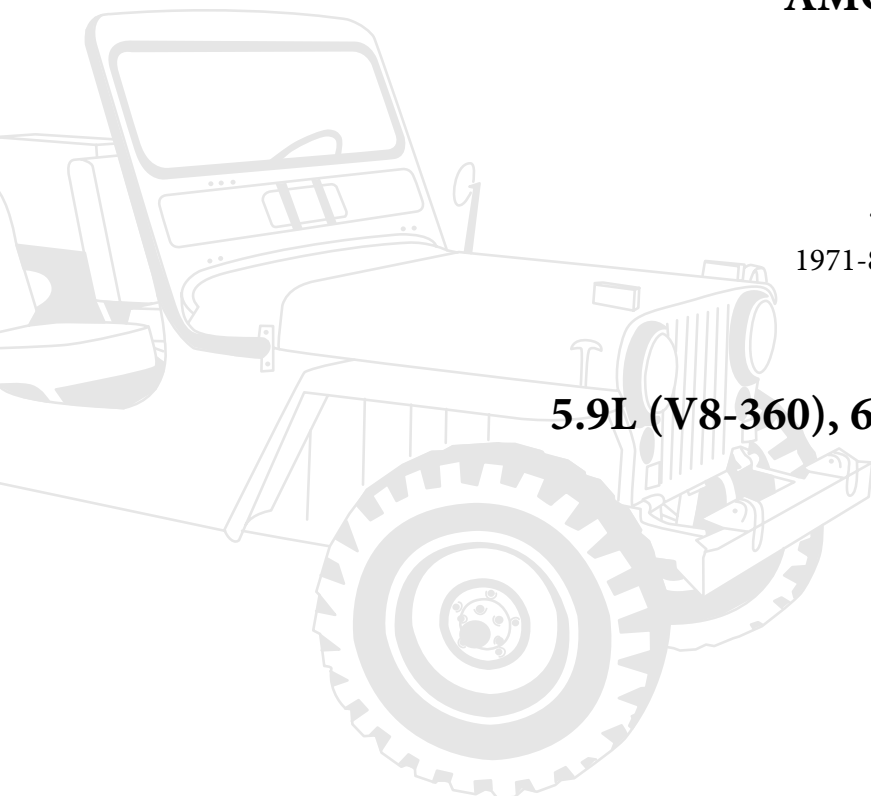
1983-1986 CJ-5, 7, 8

## **5.0L (V8-304) Engine . . . . . 11-4**

1971-81 CJ-5, 6, 7, 8, C104 Commando

## **5.9L (V8-360), 6.6L (V8-401) Engines . . . . . 11-4**

1970-91 SJ, J-Series

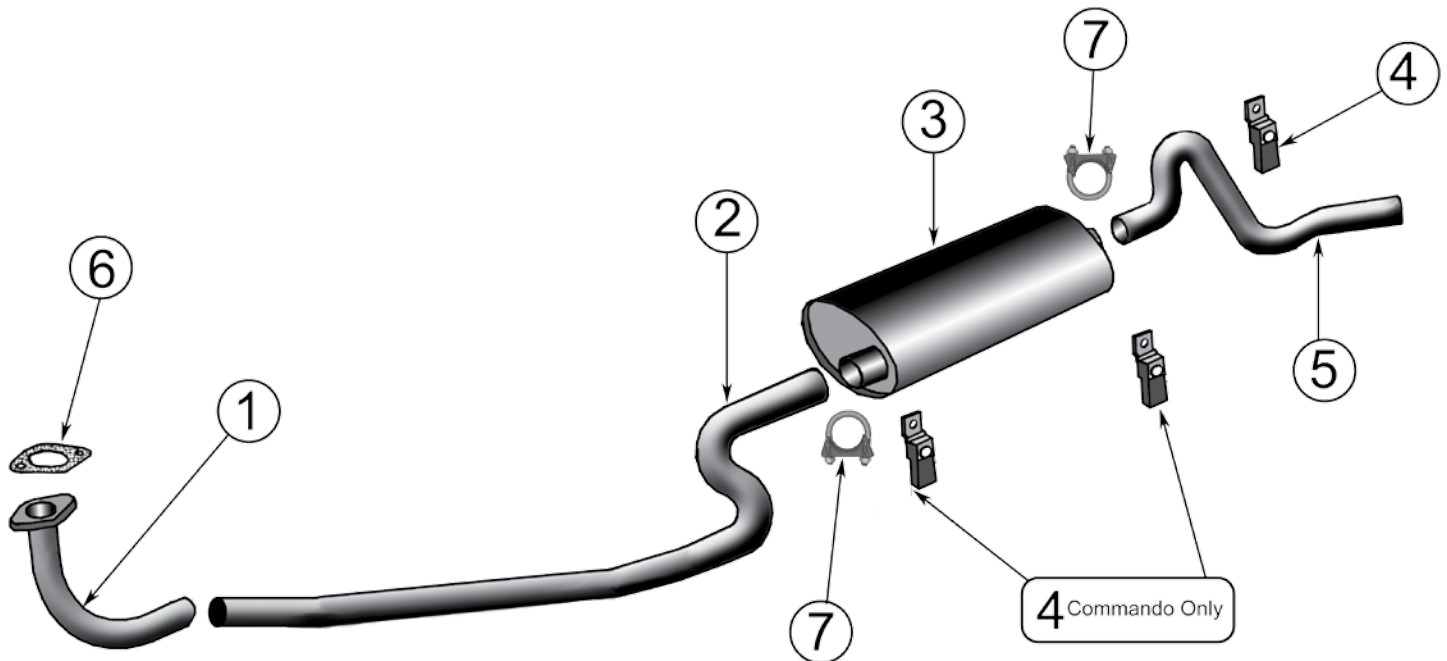




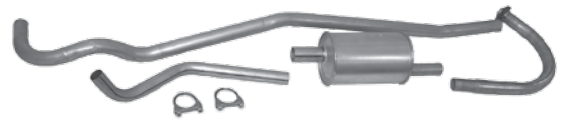
# Exhaust

## 4-134 Models, F-Head and L-Head Engines

CJ-2A, 3A, 3B, 5, 6, FC-150, C101 Commando,  
Willys Jeepster, Pickup Sedan Delivery and Station Wagon



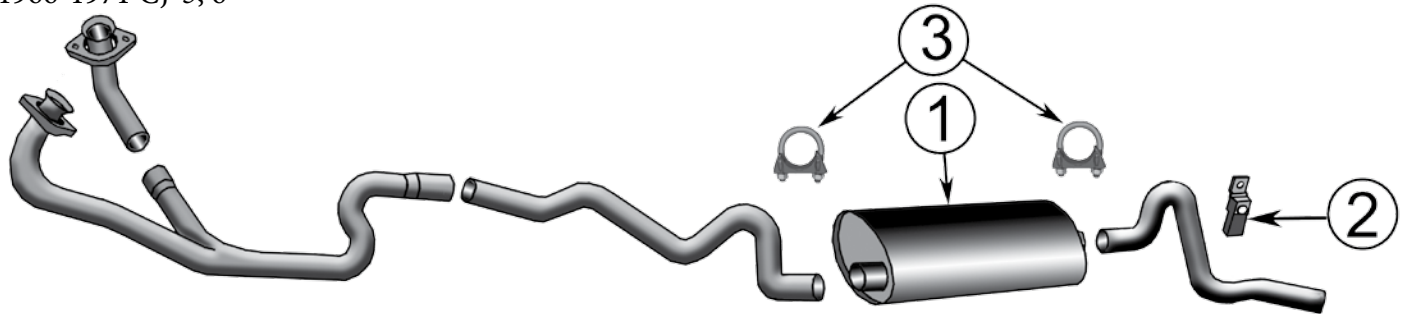
8 Complete Kit  
Replaces Part # 641878K



Item #	Description	Application	Transmission	Comments	Replaces Part #
1	Front Pipe	CJ-2A, 3A, 3B, 5, 6 FC-150	All All		J0641856 J0641856
2	Intermediate Pipe	CJ-2A, 3A, 3B, 5 FC-150	T90 T90		J0916319 J0916319
3	Muffler	CJ-2A, 3A, 3B CJ-5, 6 FC-150	All All All	w/ Front Mounted Fuel Tank	641878 641878 641878
4	Insulator, Tailpipe	CJ-2A, 3A, 3B, 5, 6 C101 Commando	All All		J0944748 J0944748
5	Tailpipe	CJ-2A, 3A, 3B CJ-5, 6 FC-150	All All All	w/ Front Mounted Fuel Tank	J0641872 J0641872 J0641872
6	Gasket, Front Pipe	All	All	Exhaust Manifold to Front Pipe	J0634814
7	Clamp	All All	All All	1-1/2" U-Bolt Style 1-3/4" U-Bolt Style	630534 642469
8	Exhaust Kit	CJ-2A, 3A, 3B, 5 CJ-5 w/ Front Mounted Fuel Tank	All All	Includes 1, 2, 3, 4, 5, 6, 7 Includes 1, 2, 3, 4, 5, 6, 7	641878K 641878K

## V6-225 Engine

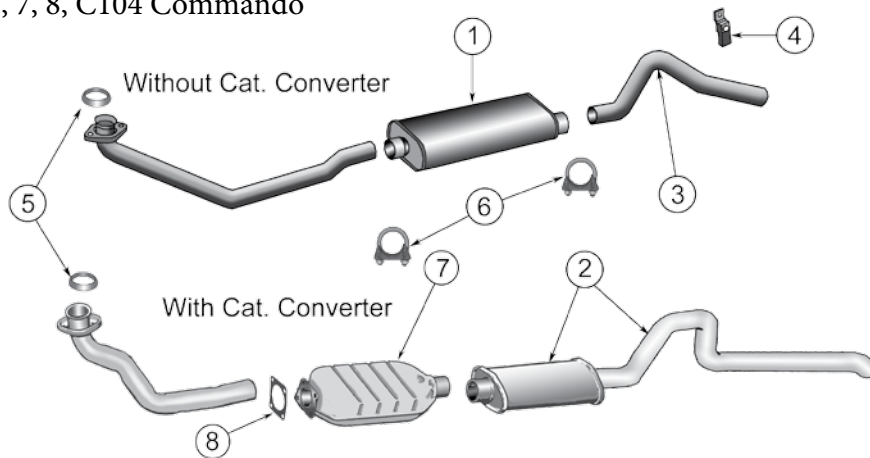
1966-1971 CJ-5, 6



Item #	Description	Model	Comments	Replaces Part #
1	Muffler	CJ-5, 6	w/ Front Mounted Fuel Tank	641878
2	Insulator, Tailpipe	CJ-5, 6	w/ Rear Mounted Fuel Tank	J0944748
3	Clamp	CJ-5, 6	1-1/2" U-Bolt Style 1-3/4" U-Bolt Style	630534 642469

## 3.8L (6-232), 4.2L (6-258) Engines

1966-1986 CJ-5, 6, 7, 8, C104 Commando



Item #	Description	Year	Model	Comments	Replaces Part #
1	Muffler	1972-78	CJ-5, 6, 7		J5351986*
2	Muffler and Tailpipe	1981-86	CJ-5, 7		J5362725
3	Tailpipe	1972-75	CJ-5, 6		5351985*
		1976-79	CJ-5, 6, 7	Except CA	8136644*
4	Insulator, Tailpipe (Rear)	1972-75	CJ-5, 6		J0944748
		1972-73	C104		J0944748
5	Gasket, Front Pipe to Manifold	1974-75	CJ-5, 6		83300053
		1976-79	CJ-5, 7		J3223546
6	Clamp	All	All	2"	J8126663
7	Catalytic Converter	1975-78	CJ-5, 6, 7	4.2L w/o CA Emissions	J5358641
8	Gasket, Exhaust	1975-87	CJ-5, 6, 7, 8, SJ, J-Series	w/ Flanged Catalytic Converter	52017817

\* Not Currently Available

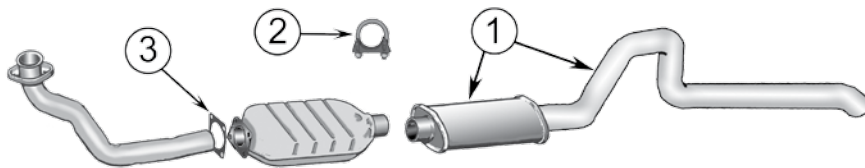
# Exhaust

## GM 2.5L (4-151)

1980-1983 CJ-5, 7

## AMC 2.5L (4-150)

1983-1986 CJ-5, 7, 8



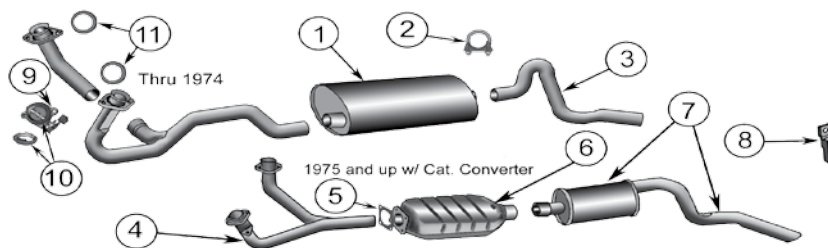
Item #	Description	Application	Engine	Comments	Replaces Part #
1	Muffler and Tailpipe	CJ-5, 7 CJ-5, 7	GM 2.5L (4-151) AMC 2.5L (4-150)		J5362725 J5362725
2	Clamp	All	All	2-1/4" Diameter	83300061
3	Seal, Manifold to Front Pipe	All	All	w/ Flanged Catalytic Converter	52017817

## 5.0L (V8-304) Engine

1971-81 CJ-5, 6, 7, 8, C104 Commando

## 5.9L (V8-360), 6.6L (V8-401) Engines

1970-91 SJ, J-Series



Item #	Description	Year	Model	Engine	Comments	Replaces Part #
1	Muffler	1972-74	CJ-5, 6	5.0L (V8-304)		J5351986
2	Clamp	All	All	All	2-1/4" Diameter	83300061
3	Tailpipe	1972-73 1976-78	CJ-5 J-Series	5.0L (V8-304) 5.9L (V8-360), 6.6L (V8-401)	w/ 2" Diameter Muffler	5351985 * J8136657 *
4	Pipe, Exhaust	1975	CJ-5	5.0L (V8-304)	w/ Converter	5354586 *
5	Gasket, Exhaust	1975-81 1977-87	CJ-5, 6, 7, 8 SJ, J-Series	5.0L (V8-304) 5.9L (V8-360), 6.6L (V8-401)	w/ Flanged Catalytic Converter w/ Flanged Catalytic Converter	52017817 52017817
6	Catalytic Converter	1975-78	CJ-5, 6, 7	5.0L (V8-304)	w/o CA Emissions	J5358641
7	Muffler and Tailpipe	1979-81	CJ-5, 7	5.0L (V8-304)		J5362725
8	Insulator, Tailpipe	1972-75 1972-73 1977-78	CJ-5, 6 C104 SJ, J-Series	5.0L (V8-304) 5.0L (V8-304) 5.9L (V8-360), 6.6L (V8-401)		J0944748 J0944748 5356581
9	Damper, Exhaust to Manifold	1975-81 1975-91	CJ5-6, 7, 8 SJ, J-Series	5.0L (V8-304) 5.9L (V8-360), 6.6L (V8-401)	Includes Seal Includes Seal	J3238998 J3238998
10	Seal, Damper to Manifold	1975-81 1975-91	CJ-5, 6, 7, 8 SJ, J-Series	5.0L (V8-304) 5.9L (V8-360), 6.6L (V8-401)		83300051 83300051
11	Seal, Manifold to Front Pipe	1975-81	CJ-5, 6, 7, 8	5.0L (V8-304)	2 Required	J3223547

\* Not Currently Available

**Rear Mounted Steering Gear . . . . . 12-2**

1941-1971 CJ-2A, CJ-3A, CJ-3B, CJ-5, CJ-6,  
MB, M38, M38-A1, FC-150, FC-170

**Front Mounted Steering Gear . . . . . 12-4**

1972-1986 CJ-5, CJ-6, CJ-7, CJ-8  
1972-1973 C104 Commando

**Front Mounted Steering Gear . . . . . 12-8**

1965-1991 SJ, J-Series

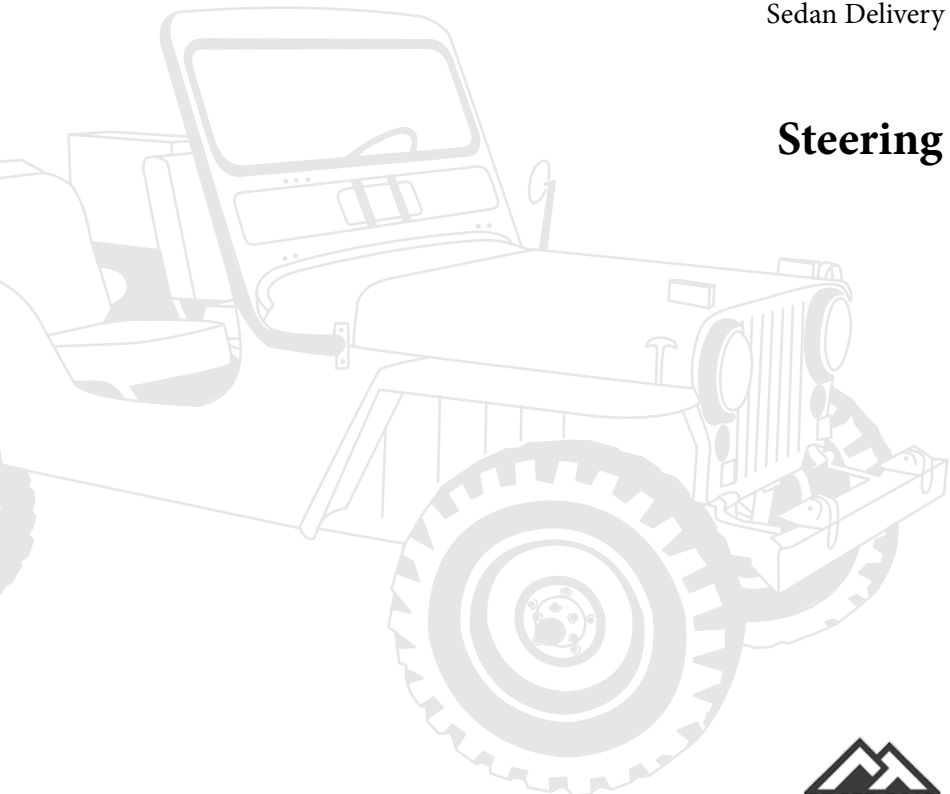
**Rear Mounted Steering Gear . . . . . 12-12**

1966-1971 C101 Commando

**Rear Mounted Steering Gear . . . . . 12-13**

1946-1965 Willys Station Wagons,  
Sedan Delivery Wagons and Pickup Trucks

**Steering Belts and Hoses . . . . . 12-14**

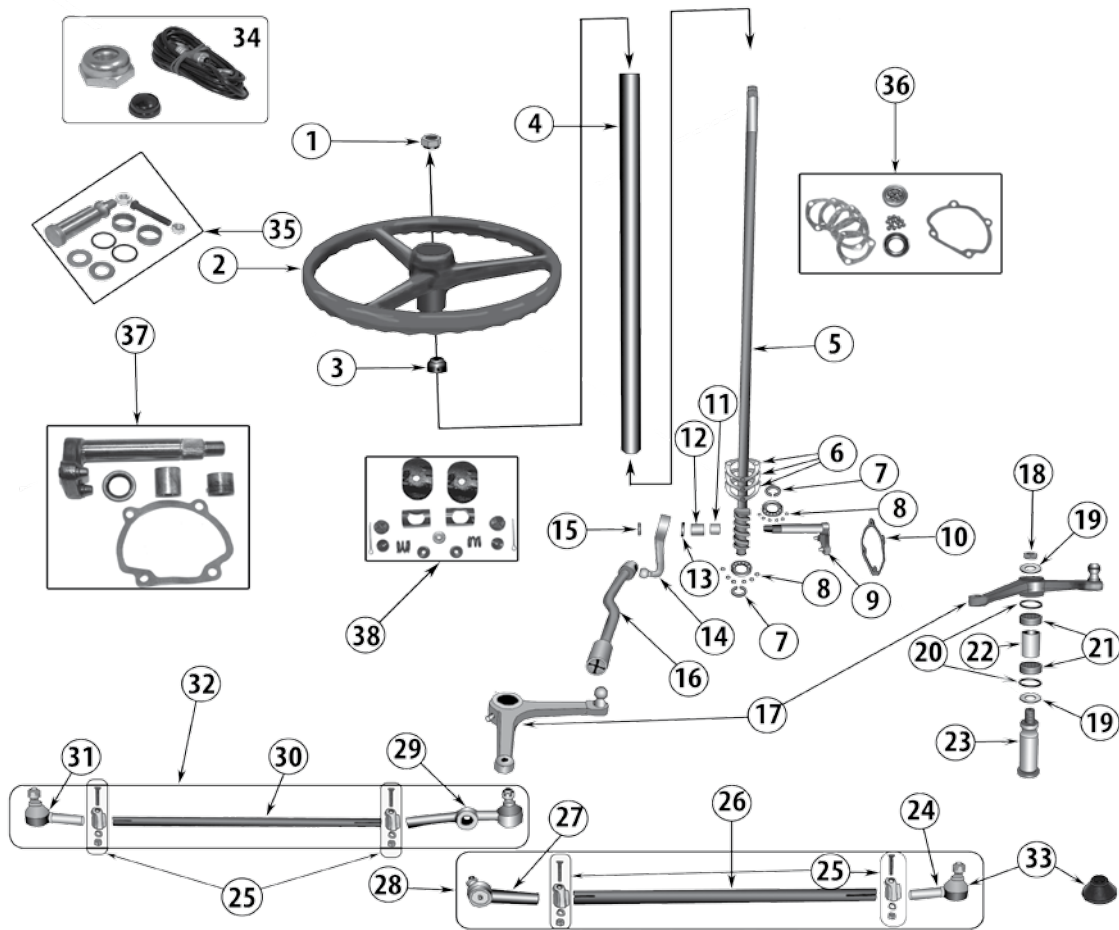


Indicates a RT Off-Road Upgrade Item

# Steering Linkage

# Rear Mounted Steering Gear

1941-1971 CJ-2A, CJ-3A, CJ-3B, CJ-5, CJ-6, MB, M38, M38-A1, FC-150, FC-170



Item #	Description	Application	Comments	Replaces Part #
1	Nut, Worm Shaft	MB, CJ-2A CJ-3A, 3B, 5, 6	w/ 1-1/4" Horn Button	A633 801425
2	Steering Wheel	MB CJ-2A, 3A, 3B, 5, 6 CJ-3B, 5, 6, FC-150	w/ 1-1/4" Horn Button "Sheller Type" w/ 1-1/4" Horn Button w/ 2-3/8" Horn Button	7375336 914047 927417
3	Bearing, Steering Column	All		J0801422
4	Steering Column	All		J0914054 *
5	Worm Shaft	MB CJ-2A Before Serial # 178361 CJ-2A After Serial # 178361 CJ-3A, 3B CJ-5, 6 w/ Gear Stamped #5-13230 CJ-5, 6 w/ Gear Stamped #TL-13231, TL-13234, TL-13019 M38-A1	40-1/2" 40-1/2" 41-1/2" 41-1/2" 41-1/2" 42-3/8" 42-3/8"	A8838* A8838* 647693 647693 647693 807480 807480
6	Shim Set, Steering Worm Shaft	All		A6760
7	Retainer, Worm Shaft Bearing	MB, CJ-2A, 3A, 3B, Pickup, Delivery Sedan, Station Wagon CJ-5, 6 w/o Gear Stamped #TL-13018		J0808591 J0808591
8	Bearing, Worm Shaft	All	22 Required	J0639104
9	Sector Shaft	CJ-2A, 3A, 3B, MB CJ-5, 6 w/ Gear Stamped #5-13230 M38		A745 A745 J0804533
10	Gasket, Side Cover	CJ-2A, 3A, 3B, MB, M38 CJ-5, 6 w/ Gear Stamped #5-13230 CJ-5, 6 w/o Gear Stamped #5-13230		639119 639119 J0807476

\* Not Currently Available

# Rear Mounted Steering Gear

# Steering Linkage

Item #	Description	Application	Comments	Replaces Part #
11	Bushing, Sector Shaft	CJ-2A, 3A, 3B, MB CJ-5, 6 w/ Gear Stamped #5-13230	Inner Inner	J0639090 J0639090
12	Bushing, Sector Shaft	CJ-2A, 3A, 3B, MB CJ-5, 6 w/ Gear Stamped #5-13230	Outer Outer	J0639091 J0639091
13	Oil Seal, Sector Shaft	CJ-2A, 3A, 3B, MB CJ-5, 6 w/ Gear Stamped #5-13230 Station Wagon, Sedan Delivery, Pickup, FC-150, FC-170		J0927645 J0927645 907653
14	Pitman Arm	All w/ F4 except Tuxedo Park and MB		JA001116
15	Nut, Sector Shaft	All w/ F4 except Tuxedo Park, M38, M38A-1		639115
16	Drag Link Assembly	CJ-2A, 3A After Serial #199079 CJ-5, 6 w/ 4-134 F-Head CJ-3B, M38, M38-A1		J0646619 J0646619 J0646619
17	Bellcrank	All w/ 1-1/8" Bellcrank Shaft MB w/ 3/4" Bellcrank Shaft		J0946965 A8249
18	Nut, Bellcrank	All w/ 3/4" Bellcrank Shaft All w/ 7/8" Bellcrank Shaft		J8130364 J0649240
19	Washer, Bellcrank	All w/ 3/4" Bellcrank Shaft All w/ 7/8" Bellcrank Shaft		J0946969 J0131018
20	Seal, Bellcrank	All w/ 3/4" Bellcrank Shaft All w/ 1-1/8" Bellcrank Shaft		JA000858 J0645663
21	Bearing, Bellcrank	All w/ 3/4" Bellcrank Shaft All w/ 7/8" or 1-1/8" Bellcrank Shaft		JA000857 J0928099
22	Spacer, Bellcrank	All w/ 7/8" Bellcrank Shaft		J0645662
23	Shaft, Bellcrank	All w/ 3/4" Bellcrank Shaft All w/ 7/8" Bellcrank Shaft All w/ 1-1/8" Bellcrank Shaft	4" Long	JA008445 J0914223 J0946968
24	Tie Rod End, Left Tie Rod	All M38, M38-A1	Outer; 11/16" Threads Outer; 3/4" Threads	J8136674 J0809190
25	Clamp Kit, Tie Rod	All		JA000837
26	Tube, Tie Rod Adjusting	FC-150, M38-A1	Right; 18-7/8" Long; 11/16" Threads	J0642059
27	Tie Rod End, Left Tie Rod	All	Inner; 11/16" Threads	J8136600
28	Tie Rod Assembly	CJ-2A, 3A After Serial # 22972 CJ-3B, 5, 6, FC-150, M38, M38-A1	Left; 19-3/4" Long; 11/16" Threads Left; 19-3/4" Long; 11/16" Threads	J0642056 J0642056
29	Tie Rod End, Right Tie Rod	All Except MB MB, FC-150 M38, M38-A1	Inner; 11/16" Threads Inner; 11/16" Threads Inner; 3/4" Threads	J0640178 J8136600 J0809189
30	Tube, Tie Rod Adjusting	CJ-2A, 3A After Serial # 22972 CJ-3B, 5, 6, FC-150, M38, M38-A1	Left; 17-3/4" Long; 11/16" Threads Left; 17-3/4" Long; 11/16" Threads	J0642058 J0642058
31	Tie Rod End, Right Tie Rod	All Except MB MB M38, M38-A1	Outer; 11/16" Threads Outer; 11/16" Threads Outer; 3/4" Threads	J8136600 J8136674 J0809191
32	Tie Rod Assembly	CJ-2A, 3A After Serial # 22972 CJ-3B, 5, 6, FC-150, M38, M38-A1	Right; 24-1/2" Long; 11/16" Threads Right; 24-1/2" Long; 11/16" Threads	J0642057 J0642057
33	Boot, Tie Rod End	CJ-2A, 3A, 3B, 5, 6, MB	Fits All Tie Rod Ends	J0645137
34	Horn Button Kit	MB, CJ-2A w/ 1-1/4" Horn Button CJ-3A, 3B, 5, 6 w/ 1-1/4" Horn Button CJ-3B, 5, 6, FC-150 w/ 2-3/8" Horn Button	Includes Button, Wire, and Nut Includes Button, Wire, Nut and Disc Includes Button, Wire, Cup, and Nut	A6742K 802359K 927416K
35	Shaft Kit, Bellcrank	All w/ 7/8" Bellcrank Shaft All w/ 1-1/8" Bellcrank Shaft CJ-2A, 3A Before Serial # 199079 MB	3/4" 3/4"	J0920556 J0991381 J0915762 J0915762
36	Bearing Kit, Worm Shaft	CJ-2A, 3A, 3B, MB CJ-5, 6 w/o Gear Stamped #TL-13019 FC-150, FC-170, Pickup, Sedan Delivery, Station Wagon		J0646084 J0646084 J0942062 *
37	Repair Kit, Sector Shaft	CJ-2A, 3A, 3B, MB CJ-5, 6 w/ 4-134 F-Head CJ-5, 6 w/o Gear Stamped #5-13230 M38, M38-A1 Pickup, Sedan Delivery, Station Wagon	7/8" 7/8"  w/o Gear Stamped #5-13230	J0805123 J0805123 J0938194 * J0938194 * J0907999
38	Repair Kit, Drag Link	CJ-2A, 3A, 3B, 5, 6		J0923418

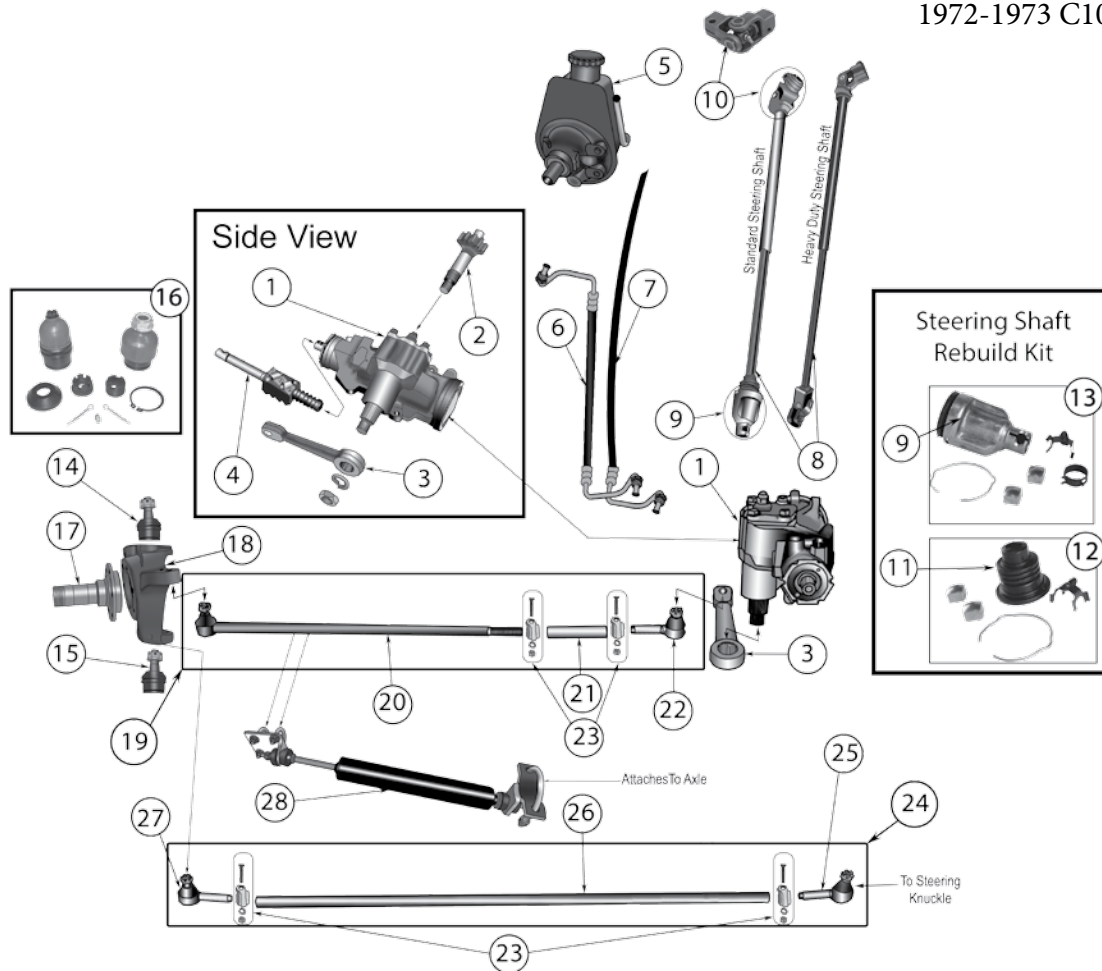
\* Not Currently Available



# Steering Linkage

# Front Mounted Steering Gear

1972-1986 CJ-5, CJ-6, CJ-7, CJ-8  
1972-1973 C104 Commando



Item #	Description	Years	Application	Comments	Replaces Part #		
1	Steering Gear Assembly	1972-86	CJ-5, 6, 7, 8, C104	w/ Manual Steering	J0994509		
		1972-79	CJ-5, 6, 7	w/ Power Steering; Remanufactured	994508R		
		1980-86	CJ-5, 7, 8	w/ Power Steering; Remanufactured	5363231R		
2	Sector Shaft	1972-86	CJ-5, 6, 7, 8, C104	w/ Manual Steering	J8120221		
		3	Pitman Arm	1972-75	CJ-5, 6, C104	w/ Manual Steering	J0999415
				1972-75	CJ-5, 6, C104	w/ Power Steering	J0999416
				1976-86	CJ-5, 6, 7, 8	w/ Manual Steering	J5356106
1976-86	CJ-5, 6, 7, 8	w/ Power Steering	J5356104				
4	Worm Shaft Assembly	1972-86	CJ-5, 6, 7, 8	w/ Manual Steering	J0998504		
		1973	C104	w/ Manual Steering	J0998504		
5	Pump, Power Steering	1983-86	CJ-5, 7, 8	w/ AMC 2.5L Engine w/ Attached Reservoir	33001907		
		1977-86	CJ-5, 7, 8	All Engines, w/o Attached Reservoir	J8132473		
		1977-86	CJ-5, 7, 8	w/ 4.2L, 5.0L, GM 2.5L Engines w/ Attached Reservoir	52037568		
6	Hose, Power Steering Pressure	1975	CJ-5, 6	w/ 3.8L (6-232), 4.2L (6-258)	J5354381		
		1976-79	CJ-5, 6, 7	w/ 3.8L (6-232), 4.2L (6-258)	J5357191		
		1980-81	CJ-5, 7	w/ 3.8L (6-232), 4.2L (6-258)	J5370018		
		1982-86	CJ-5, 7, 8	w/ 4.2L (6-258)	J5363661		
		1972-75	CJ-5, 6	w/ 5.0L (V8-304) w/ Left Hand Drive	J5354381		
		1976-79	CJ-5, 6, 7	w/ 5.0L (V8-304)	J5357191		
		1980-81	CJ-5, 7, 8	w/ 5.0L (V8-304)	J5370016		

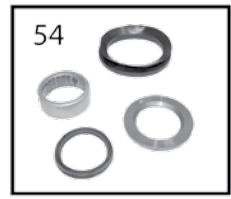
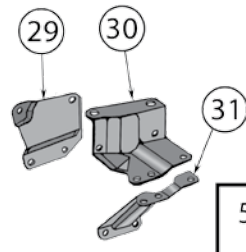
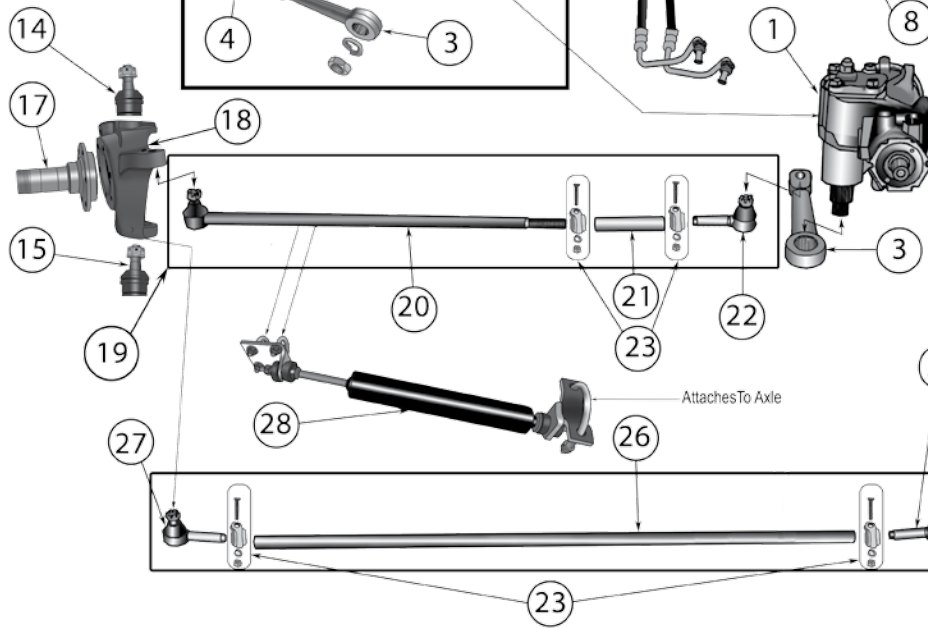
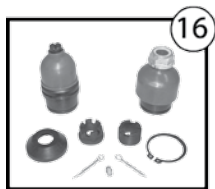
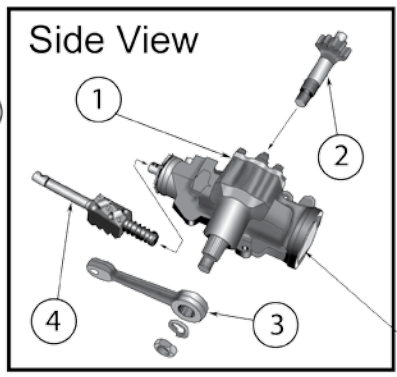
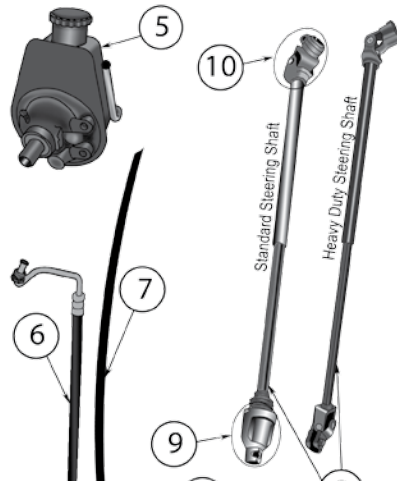
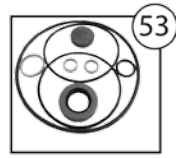
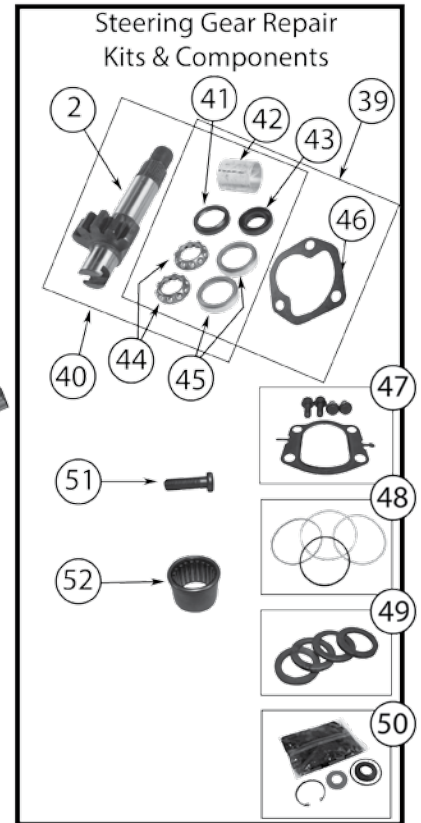
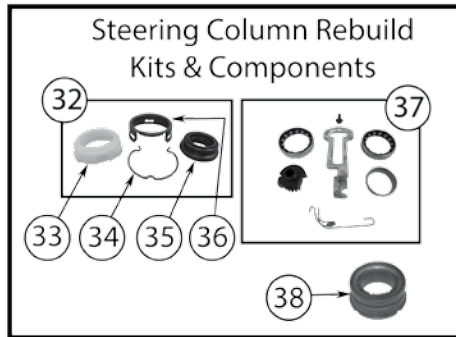
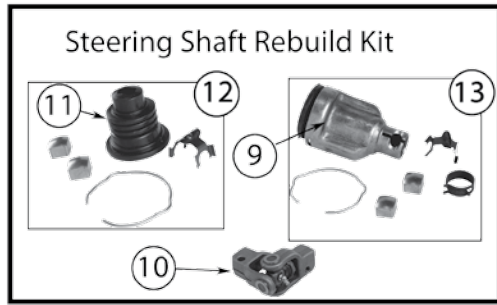
# Front Mounted Steering Gear

# Steering Linkage

Item #	Description	Years	Application	Comments	Replaces Part #
7	Hose, Power Steering Return	1980-83	CJ-5, 7, 8	w/ GM 2.5L (4-151)	J5370019
		1973-74	CJ-5, 6	w/ 3.8L (6-232), 4.2L (6-258)	J5357190
		1977-79	CJ-5, 7	w/ 3.8L (6-232), 4.2L (6-258)	J5357190
		1980	CJ-5, 7	w/ 4.2L (6-258)	J5370019
		1981-86	CJ-5, 7, 8	w/ 4.2L (6-258)	J5363662
		1976-79	CJ-5, 6, 7	w/ 5.0L (V8-304)	J5357190
		1980-81	CJ-5, 7, 8	w/ 5.0L (V8-304)	J5370019
		1973-74	C104 Commando	w/ 4.2L (6-258)	J5357190
8	Steering Shaft Assembly	1972-86	CJ-5, 7, 8	w/ Manual Steering	J5353135
		1972-86	CJ-5, 7, 8	w/ Manual Steering; Heavy Duty	RT21010
		1972-86	CJ-5, 7, 8	w/ Power Steering	J5354934
		1972-86	CJ-5, 7, 8	w/ Power Steering; Heavy Duty	RT21011
9	Coupling, Steering Shaft	1972-86	CJ-5, 6, 7, 8	w/ Manual Steering	J8121299
		1972-86	CJ-5, 6, 7, 8	w/ Power Steering	J0998710
10	Joint Assembly, Steering Shaft	1972-75	CJ-5, 6	Lower Steering Shaft Yoke w/ U-Joint	J0990192
11	Boot, Steering Shaft	1972-76	CJ-5, 7, 8		J8132676
12	Boot Kit, Steering Shaft	1972-86	CJ-5, 7, 8	Includes 1 Boot, 2 Clips and 2 Bearings	8132676K
13	Steering Shaft Coupling Kit	1972-86	CJ-5, 6, 7, 8	w/ Power Steering w/ Manual Steering	998710K
		1972-86	CJ-5, 6, 7, 8		8121299K
14	Ball Joint, Upper	1972-86	CJ-5, 6, 7, 8, C104	w/ Dana 30 Front Axle	J8122495
15	Ball Joint, Lower	1972-86	CJ-5, 6, 7, 8, C104	w/ Dana 30 Front Axle	J8122496
16	Ball Joint Kit	1972-86	CJ-5, 6, 7, 8, C104	Upper and Lower, w/ Dana 30 Front Axle, Incl. Hardware	J8126509
17	Spindle, Steering	1972-76	CJ-5, 7, 8, C104	Left or Right, w/ Dana 30 Front Axle	J8121403
		1977-86	CJ-5, 7, 8	Left or Right, Includes Bearing and Seals	J8128147
18	Steering Knuckle	1978	CJ-5, 7	Left Side, w/ 2-Bolt Caliper Plate (Less Ball Joints)	J8133604
		1979-86	CJ-5, 7, 8	Left Side (Less Ball Joints)	J8133604
		1979-86	CJ-5, 6, 8	Right Side	J8129654 *
19	Drag Link Assembly	1972-83	CJ-5, 6, C104	w/ Left Hand Drive; 28-1/8" Collapsed Length	J5356105
		1976-81	CJ-7, 8	w/ Left Hand Drive; 28-1/8" Collapsed Length	J5356105
		1982-86	CJ-7, 8	w/ Left Hand Drive; 30-1/2" Collapsed Length	8134350K
20	Right Tie Rod End, Drag Link	1972-86	CJ-5, 6, 7, 8	w/ Right Hand Drive; 20.83" Long	J5350570
		1972-83	CJ-5, 6, C104	w/ Left Hand Drive; At Steering Knuckle; 24" Long	J0991744
		1976-81	CJ-7, 8	w/ Left Hand Drive; At Steering Knuckle; 24" Long	J0991744
		1982-86	CJ-7, 8	w/ Left Hand Drive; At Steering Knuckle; 24-5/8" Long	J8134350
21	Adjuster, Drag Link	1972-86	CJ-5, 6, 7, 8, C104	4-1/2" Long; 1/2"-20 Threads, Includes Clamps	J3200671
22	Left Tie Rod End, Drag Link	1972-86	CJ-5, 6, 7, 8, C104	w/ Left Hand Drive; At Pitman Arm; 3-1/8" Long	J8136600
23	Tie Rod Clamp	1972-86	CJ-5, 6, 7, 8, C104	Includes Hardware	JA000837
24	Tie Rod Assembly	1972-83	CJ-5, 6, C104	w/ Left Hand Drive	J5350586
		1976-81	CJ-7, 8	w/ Left Hand Drive	J5350586
		1982-86	CJ-7, 8	w/ Left Hand Drive	J8134295
25	Left Tie Rod End, Tie Rod	1972-86	CJ-5, 6, 7, 8, C104	w/ Left Hand Drive; 4" Long	J8136600
		1972-86	CJ-5, 6, 7, 8	w/ Right Hand Drive	J0918257
26	Adjuster, Tie Rod	1972-83	CJ-5, 6, 104	w/ Left Hand Drive; 40-1/8" Long	J5350589
		1976-81	CJ-7, 8	w/ Left Hand Drive; 40-1/8" Long	J5350589
		1982-86	CJ-7, 8	w/ Left Hand Drive; 43-7/8" Long	J8134290
27	Right Tie Rod End, Tie Rod	1972-86	CJ-5, 6, 7, 8, C104	w/ Left Hand Drive; 3-1/8" Long	J8136674
		1972-86	CJ-5, 6, 7, 8	w/ Right Hand Drive; 4" Long	J8136600
28	Stabilizer Kit, Steering	1972-86	CJ-5, 6, 7, 8	Includes Hardware	J84500

\* Not Currently Available

Continued On Next Page



# Front Mounted Steering Gear

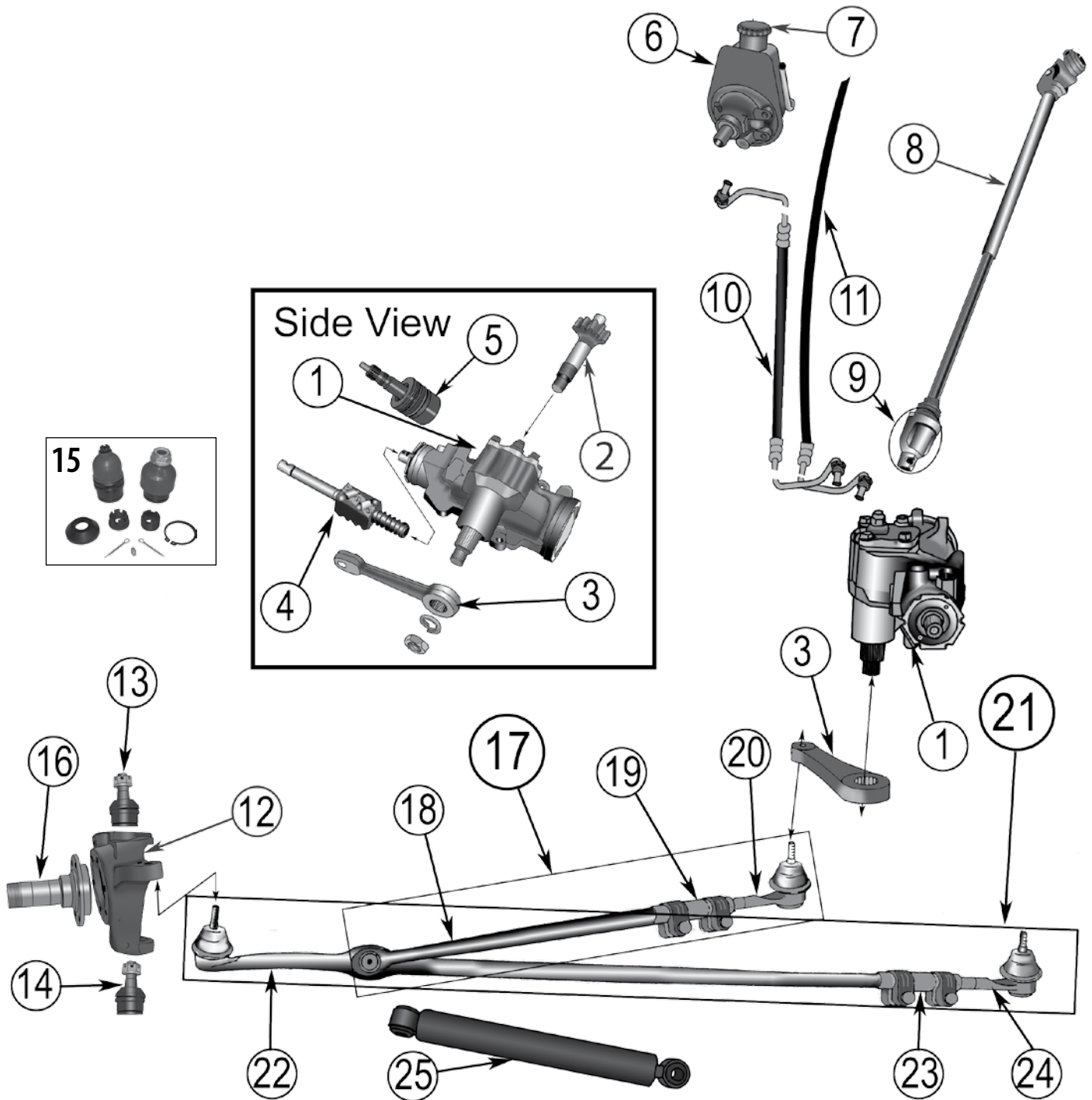
# Steering Linkage

Item #	Description	Years	Application	Comments	Replaces Part #
29	Tie Plate, Steering Gear	1976-86	CJ-5, 7, 8	LHD, w/ Manual or Power Steering	J5355962
30	Bracket, Steering Gear	1976-86	CJ-5, 7, 8	Upper, LHD, w/ Manual or Power Steering	J5355446
31	Bracket, Steering Gear	1976-86	CJ-5, 7, 9	Lower, LHD, w/ Manual or Power Steering	J8127536
32	Steering Column Bearing Kit	1976-86	CJ-5, 7, 8	Includes 2 Bearings, 1 Clip, and 1 Retainer	4487696K
33	Bushing, Steering Shaft	1976-86	CJ-5, 7, 8	Upper	J4487696
34	Coupling Spring, Steering Shaft	1976-86	CJ-5, 7, 8	Lower Bearing Clip	J4487739
35	Bearing, Steering Column	1976-86	CJ-5, 7, 8	Lower	J4486713
36	Retainer, Steering Column Bearing	1976-86	CJ-5, 7, 8		J4487743
37	Bearing Kit, Steering Column	1974-76	CJ-5, 6, 7, 8	w/ Tilt Column	83510055
38	Bearing, Steering Column	1977-86	CJ-5, 7, 8	Upper; w/o Tilt	J8127850
39	Steering Gear Bearing and Seal Kit	1972-86	CJ-5, 6, 7, 8, C104	w/ Manual Steering	5710618
40	Steering Gear Master Repair Kit	1972-86	CJ-5, 6, 7, 8, C104	w/ Manual Steering	8120221K
41	Seal, Sector Shaft	1972-86	CJ-5, 6, 7, 8, C104	w/ Manual Steering	J4486140
42	Bushing, Sector Shaft	1972-86	CJ-5, 6, 7, 8, C104	w/ Manual Steering	J3200496
43	Seal, Worm Shaft	1972-86	CJ-5, 6, 7, 8, C104	w/ Manual Steering	J4486141
44	Bearing, Worm Shaft	1972-86	CJ-5, 6, 7, 8, C104	w/ Manual Steering; 2 Required	J3200491
45	Bearing Cup, Worm Shaft	1972-86	CJ-5, 6, 7, 8, C104	w/ Manual Steering; 2 Required	J3200492
46	Gasket, Steering Box	1981-86	CJ-5, 6, 7, 8	w/ Power Steering	J0940522
47	Seal Kit, Steering Box	1981-86	CJ-5, 7, 8		J8125038
48	Seal Kit, Steering Box	1981-86	CJ-5, 7, 8	w/ LHD w/ Power Steering	J5125039
49	Shim Kit, Steering Gear Cover	1972-86	CJ-5, 6, 7, 8	w/ LHD w/ Manual Steering	J0940521
50	Seal Kit, Steering Box	1974-86	CJ-5, 6, 7, 8	w/ Power Steering	83500369
51	Adjuster Screw, Steering Box	1981-86	CJ-5, 6, 7, 8	w/ Manual Steering	J4486135
52	Bearing, Sector Shaft	1981-86	CJ-5, 6, 7, 8		J4487154
53	Seal Kit, Steering Pump	1977-86	CJ-5, 7, 8		83502149
54	Bearing & Seal Kit, Spindle	1977-86	CJ-5, 7, 8	Left or Right, Includes Bearing and Seals	J8127356
55	Heavy Duty Steering Gear Bracket	1976-86	CJ-5, 7, 8	w/ Power Steering; Includes Hardware	RT21009 

# Steering Linkage

# Front Mounted Steering Gear

1965-1991 SJ, J-Series



Item #	Description	Years	Application	Comments	Replaces Part #
1	Steering Gear Assembly	1965-86 1980-91	SJ, J-Series SJ, J-Series	w/ Manual Steering w/ Power Steering; Remanufactured	J0994509 52002085R
2	Sector Shaft	1965-86	SJ, J-Series	w/ Manual Steering	J8120221
3	Pitman Arm	1974-91	SJ, J-Series	w/ Power Steering	J5352278



# Front Mounted Steering Gear

# Steering Linkage

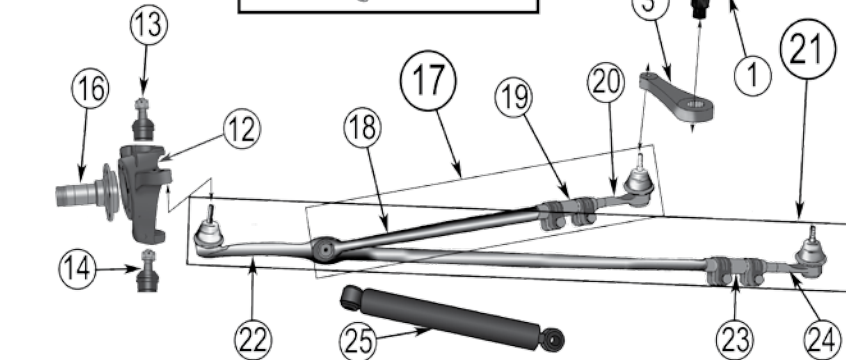
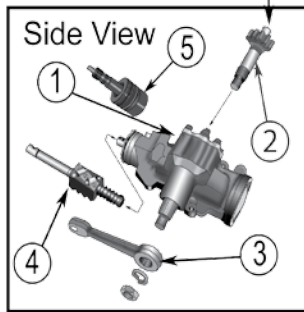
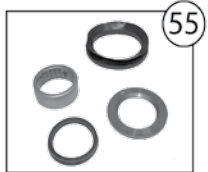
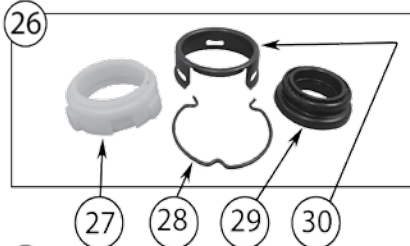
Item #	Description	Years	Application	Comments	Replaces Part #
4	Worm Shaft Assembly	1973-86	SJ, J-Series	w/ Manual Steering	J0998504
5	Input Shaft and Spool Valve	1987-91	SJ, J-Series	w/ Power Steering	83502261
6	Pump, Power Steering	1975-91	SJ, J-Series	w/ Attached Reservoir	52037568
7	Cap, Steering Reservoir	1975-91	SJ, J-Series		4694765
8	Steering Shaft Assembly	1976-85	SJ, J-Series	w/ Manual Steering w/ Power Steering	J5353135
		1976-85	SJ, J-Series		J5354934
9	Coupling, Steering Shaft	1973-85	SJ, J-Series	w/ Manual Steering w/ Power Steering	J8121299
		1974-85	SJ, J-Series		J0998710
10	Hose, Power Steering Pressure	1975-78	SJ, J-Series	4.2L (6-258)	J5355891
		1980-86	SJ, J-Series	4.2L (6-258)	52003769
		1972-79	SJ, J-Series	5.9L (V8-360), 6.6L (V8-401)	J5355891
		1980-91	SJ, J-Series	5.9L (V8-360)	52003079
11	Hose, Power Steering Return	1976-79	SJ, J-Series	4.2L (6-258), 5.9L (V8-360), 6.6L (V8-401)	J5357190
12	Knuckle, Steering	1974-77	SJ, J-Series	Left	J0805783
13	Ball Joint, Upper	1974-91	SJ, J-Series		J8122495
14	Ball Joint, Lower	1974-91	SJ, J-Series		J8122496
15	Ball Joint Kit	1974-91	SJ, J-Series	Upper and Lower, Includes Hardware	J8126509
16	Spindle, Steering	1971-73	SJ, J-Series	Left or Right, w/ Dana 30 Front Axle	J8121403
		1977-91	SJ, J-Series	Includes Bearings, Washer and Seals	J8128767
17	Drag Link Assembly	1974-89	SJ, J-Series	28-3/8" Collapsed Length	J5352421
		1974-91	SJ, J-Series	26-3/8" Collapsed Length	J5352163
18	Right Tie Rod End, Drag Link	1972-73	SJ, J-Series	To Steering Knuckle; 3-1/8" Long; Right Hand Threads; w/ Hollow Adjusting Tube	J0932192
		1962-73	J-Series	To Steering Knuckle; 32-5/16" Long; Right Hand Threads; w/ Solid Tube	J0999200
		1962-73	SJ	To Steering Knuckle; 29-3/8" Long; Right Hand Threads; w/ Solid Tube	J0999199 *
		1974-91	SJ, J-Series	Drag Link to Tie Rod, 21.88" Long	J8123315
		1974-89	SJ, J-Series	Drag Link to Tie Rod, 23.88" Long	J8123316
19	Adjuster, Drag Link	1972-73	SJ, J-Series	4-1/2" Long; 1/2" - 20 Threads	J3200671
		1974-91	SJ, J-Series	4-1/2" Long; 9/16" - 18 Threads	J8123320
20	Left Tie Rod End, Drag Link	1972-73	SJ, J-Series	w/ LHD; Left Hand Threads; 3-1/8" Long	J8136674
		1974-91	SJ, J-Series	At Pitman Arm; 3-3/4" Long; Left Hand Threads	J8124817
21	Tie Rod Assembly	1974-89	SJ, J-Series	55-3/4" Collapsed Length	J5352680
		1974-91	SJ, J-Series	51-3/4" Collapsed Length	J5352665
22	Right Tie Rod End	1971-73	SJ	3-1/8" Long; Right Hand Threads	J0932192
		1974-89	SJ, J-Series	50-1/2" Long	J8124823
		1974-91	SJ, J-Series	46-1/2" Long	J8124816
23	Adjuster, Tie Rod	1974-91	SJ, J-Series		J8124819 *
24	Left Tie Rod End	1971-73	SJ	3-7/8" Long; Left Hand Threads	J0932191
		1974-91	SJ, J-Series	3-3/8" Long; Left Hand Threads	J8124817
25	Stabilizer, Steering	1974-91	SJ, J-Series		J8129434

\* Not Currently Available

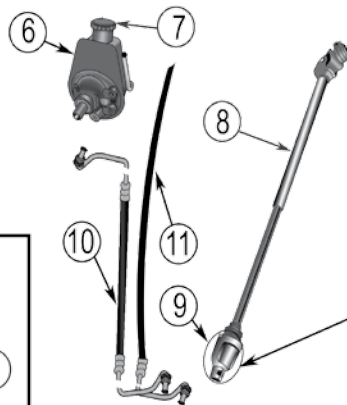
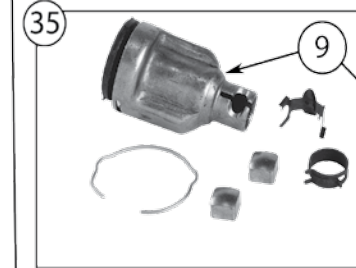
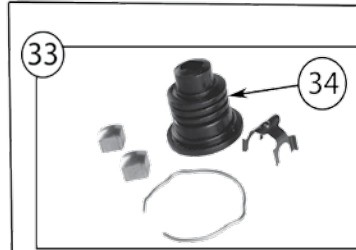
Continued On Next Page



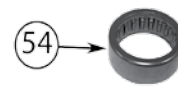
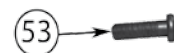
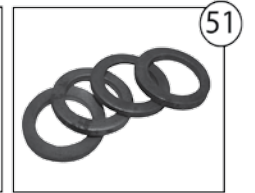
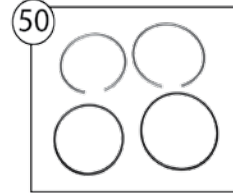
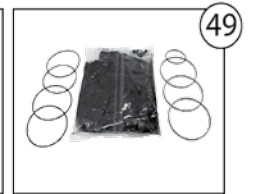
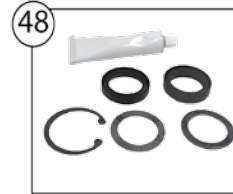
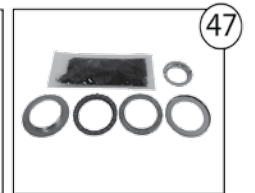
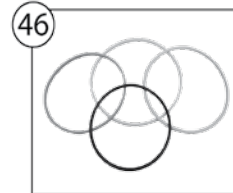
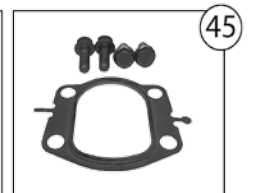
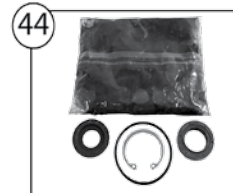
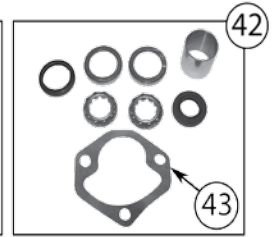
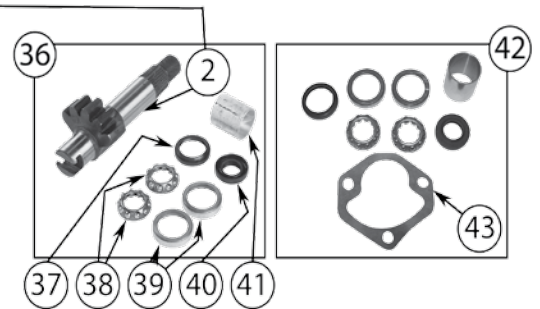
### Steering Column Rebuild Kits & Components



### Steering Shaft Rebuild Kits



### Steering Gear Rebuild Kits



# Front Mounted Steering Gear

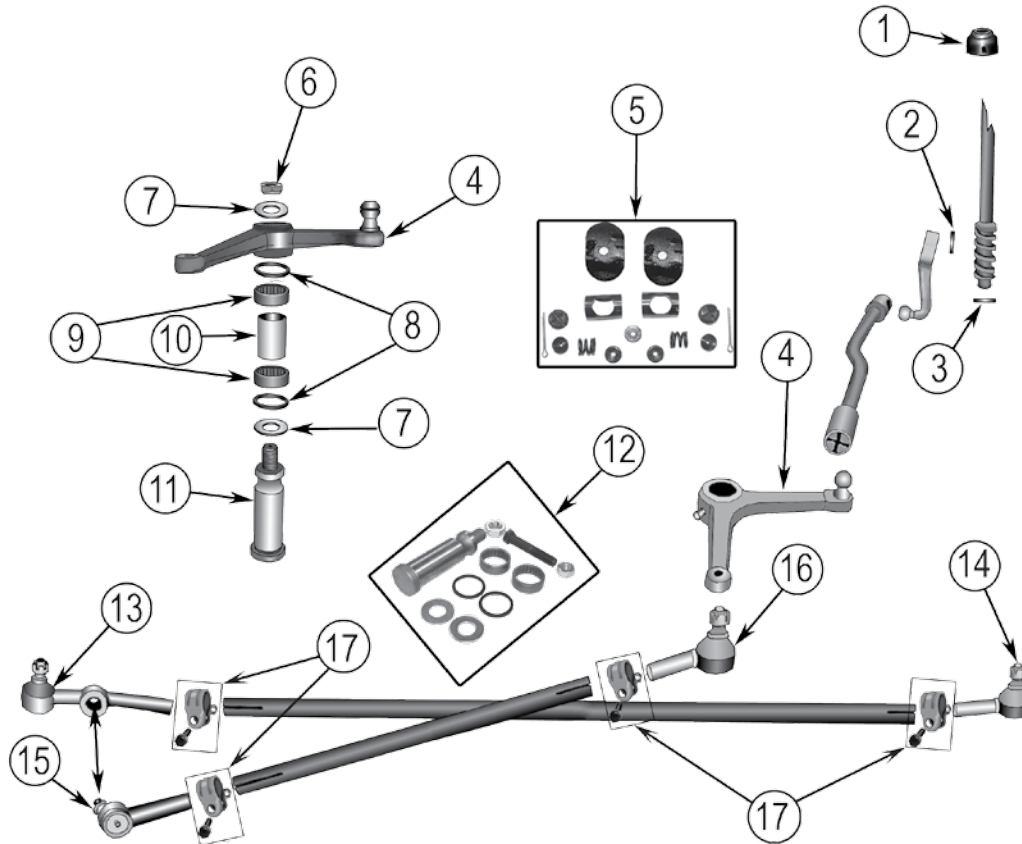
# Steering Linkage

Item #	Description	Years	Application	Comments	Replaces Part #
26	Steering Column Bearing Kit	1974-91	SJ, J-Series	Includes 2 Bearings, 1 Clip, and 1 Retainer	4487696K
27	Bushing, Steering Shaft	1974-91	SJ, J-Series	Upper	J4487696
28	Spring, Steering Shaft Coupling	1974-91	SJ, J-Series	Lower Bearing Clip	J4487739
29	Bearing, Steering Column	1974-91	SJ, J-Series	Lower	J4486713
30	Retainer, Steering Column Bearing	1974-91	SJ-J-Series		J4487743
31	Bearing Kit, Steering Column	1974-91	SJ, J-Series	w/ Tilt	83510055
32	Bearing, Steering Column	1981-91	SJ, J-Series	Upper, w/o Tilt	J8127850
33	Boot Kit, Steering Shaft	1974-86	SJ, J-Series	Includes 1 Boot, 2 Clips and 2 Bearings	8132676K
34	Boot, Steering Shaft	1974-86	SJ, J-Series		J8132676
35	Steering Shaft Coupling Kit	1974-86 1973-86	SJ, J-Series SJ, J-Series	w/ Power Steering w/ Manual Steering	998710K 8121299K
36	Steering Gear Master Repair Kit	1965-86	SJ, J-Series	w/ Manual Steering	8120221K
37	Seal, Sector Shaft	1965-86	SJ, J-Series	w/ Manual Steering	J4486140
38	Bearing, Worm Shaft	1965-86	SJ, J-Series	w/ Manual Steering; 2 Required	J3200491
39	Bearing Cup, Worm Shaft	1965-86	SJ, J-Series	w/ Manual Steering; 2 Required	J3200492
40	Seal, Worm Shaft	1965-86	SJ, J-Series	w/ Manual Steering	J4486141
41	Bushing, Sector Shaft	1965-86	SJ, J-Series	w/ Manual Steering	J3200496
42	Steering Gear Bearing and Seal Kit	1965-86	SJ, J-Series	w/ Manual Steering	5710618
43	Gasket, Steering Box	1981-86	SJ, J-Series	w/ Manual Steering	J0940522
44	Seal Kit, Steering Box Adjuster Plug	1981-91	SJ, J-Series	w/ Power Steering	J8130157
45	Seal Kit, Steering Box	1975-80 1981-91	J-10 SJ	w/ LHD	J8125038 J8125038
46	Seal Kit, Steering Box	1980-91	SJ, J-Series		J8125039
47	Bearing Kit, Steering Box	1981-91	SJ, J-Series	Located on End of Valve Assembly	J8130152
48	Seal Kit, Gear Assembly	1973-91	SJ, J-Series	Sector Shaft (Pitman), w/ Power Steering	J8134568
49	Seal Kit, Steering Box	1973-91	SJ, J-Series	LHD, w/ Power Steering	J3204833
50	Seal Kit, Steering Box	1987-91	SJ, J-Series	Includes Seals and Retainers	J8125037
51	Shim Kit, Steering Box Cover	1981-86	SJ, J-10, J-20	w/ Manual Steering	J0940521
52	Bearing, Sector Shaft	1981-91	SJ		J4487154
53	Screw, Steering Box Adjuster	1981-86	SJ, J-10, J-20	w/ Manual Steering	J4486135
54	Bearing, Steering Box	1981-91	SJ, J-Series	Located on Valve Assembly	J8130142
55	Bearing and Seal Kit, Spindle	1974-91	SJ, J-Series	Left or Right, Includes Bearing and Seals	J8127356

# Steering Linkage

# Rear Mounted Steering Gear

1966-1971 C101 Commando

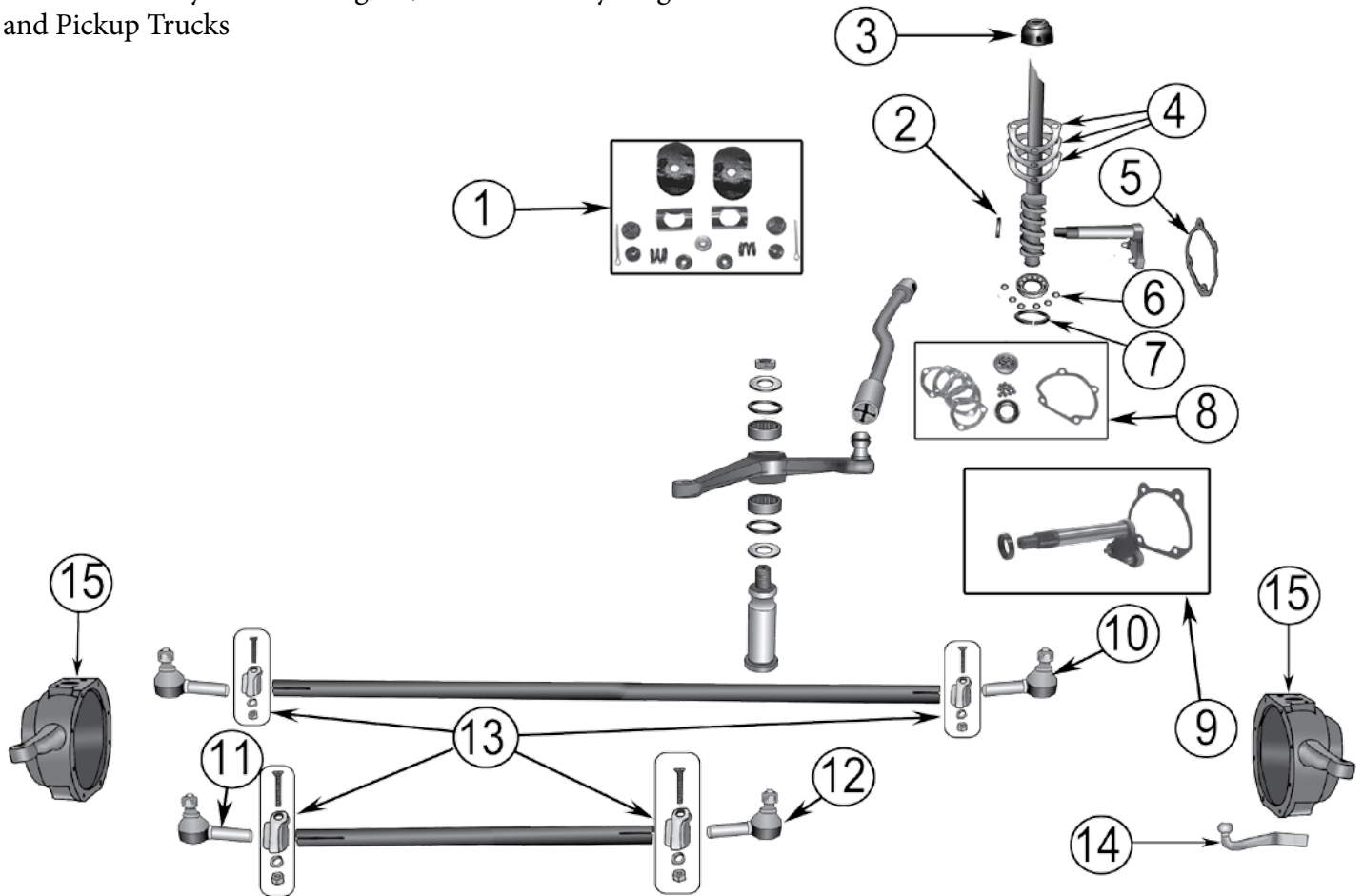


Item #	Description	Comments	Replaces Part #
1	Bearing, Steering Column	Upper	J0801422
2	Seal, Worm Shaft		J3202618
3	Seal, Sector Shaft		J0940555
4	Bellcrank	1-1/8"	J0946965
5	Repair Kit, Drag Link	Includes Plugs, Seals, Springs, and Cotter Pins	J0923418
6	Nut, Bellcrank Shaft	w/ 3/4" and 7/8" Shaft	J0649240
7	Washer, Bellcrank Shaft	5/8" 7/8"	J0131016 J0131018
8	Seal, Bellcrank Shaft	2 Required	J0645663
9	Bearing, Bellcrank Shaft	2 Required	J0928099
10	Spacer, Bellcrank Shaft	w/ 7/8" Diameter Shaft	J0645662
11	Shaft, Bellcrank	7/8" Diameter 1-1/8" Diameter	J0914223 J0946968
12	Repair Kit, Bellcrank	w/ 7/8" Diameter Shaft w/ 1-1/8" Diameter Shaft	J0920556 J0991381
13	Tie Rod End, On Wheel to Wheel Rod	Right Side with Hole	J0920536
14	Tie Rod End, On Wheel to Wheel Rod	Left Side; Right Hand Thread	J8136600
15	Tie Rod End, On Bellcrank to Steering Arm Rod	Left Thread	J8136674
16	Tie Rod End, On Bellcrank to Steering Arm Rod	Right Thread	J8136600
17	Clamp Kit, Tie Rod	Includes Clamp and Hardware	JA000837

# Rear Mounted Steering Gear

# Steering Linkage

1946-1965 Willys Station Wagons, Sedan Delivery Wagons  
and Pickup Trucks



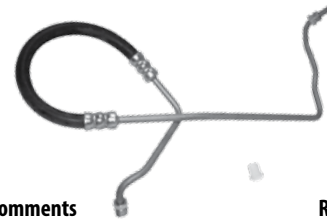
Item #	Description	Comments	Replaces Part #
1	Repair Kit, Drag Link	Includes Plugs, Seals, Springs, and Cotter Pins	J0923418
2	Seal, Sector Shaft	All	907653
3	Bearing, Steering Column	Upper	J0801422
4	Shim Set, Steering Worm Shaft	All	A6760
5	Gasket, Steering Box	w/o Gear Stamped #5-13230	J0807476
6	Ball Bearing, Worm Shaft	22 Required (11 Upper and 11 Lower)	J0639104
7	Retainer, Worm Shaft Bearing	2 Required	J0808591
8	Repair Kit, Bearing Steering Gear Worm	Includes Bearings, Races, Shims, and Side Cover Gasket	J0646084
9	Kit, Steering Sector Shaft	w/o Gear Stamped #5-13230	J0907999
10	Tie Rod End, Steering Knuckle to Steering Knuckle	Left Side; Left Hand Threads	J8136674
11	Tie Rod End, Bellcrank to Right Steering Knuckle	At Knuckle; Left Hand Threads	J8136674
12	Tie Rod End, Bellcrank to Right Steering Knuckle	At Bellcrank; Right Hand Threads	J8136600
13	Clamp Kit, Tie Rod	Includes Clamp and Hardware	JA000837
14	Steering Arm	Attaches to Left Knuckle	J0905693
15	Steering Knuckle	Left Right	J0805783 J0805784

## Power Steering Pump Belts



Models	Years	Engine	Type V-Belt or Serpentine Belt	Comments	Replaces Part #
CJ-5, 7	1980	GM 2.5L (4-151)	V	Cogged Belt	G9433652
CJ-5, 7, 8	1981-83	GM 2.5L (4-151)	V		JY013506
CJ-5, 7, 8	1983-86	AMC 2.5L (4-150)	V		JY017465
CJ-5, 6, 7	1975-78	3.8L (6-232), 4.2L (6-258)	V	w/o Exhaust Pump	JY017465
CJ-5, 7, 8	1976-86	3.8L (6-232), 4.2L (6-258)	V		JY013251
CJ-5, 7, 8	1976-81	5.0L (V8-304)	V	54" Long, Crankshaft to Power Steering Pump	JY013541
CJ-5, 7, 8	1976-81	5.0L (V8-304)	V	w/o A/C, w/ 70 Amp Alternator	JY013291
CJ-5, 6, 7	1981-82	4.2L (6-258)	S	w/o A/C, w/o 70 Amp Alternator	JK060905
CJ-5, 7, 8	1981-86	4.2L (6-258)	S	87.5" Long, 6 Ribs	53032037AC
CJ-5, 7, 8	1981-86	4.2L (6-258)	S	Gatorback	4060875
SJ, J-Series	1968-70	5.8L (V8-350)	V	w/ A/C	JY013461
SJ, J-Series	1971-72	4.2L (6-258)	V		JY017465
SJ, J-Series	1981-82	4.2L (6-258)	S	w/o A/C, w/o 70 Amp Alternator	JK060905
SJ, J-Series	1983-86	4.2L (6-258)	S	87.5" Long, 6 Ribs	53032037AC
SJ, J-Series	1983-86	4.2L (6-258)	S	w/ Power Steering	JK060882
SJ, J-Series	1983-86	4.2L (6-258)	S	Gatorback; w/ Power Steering	4060875
SJ, J-Series	1974	3.8L (6-232), 4.2L (6-258)	V	w/o A/C w/ 43" Long Belt	JY013411
SJ, J-Series	1975-79	3.8L (6-232), 4.2L (6-258)	V	w/o Exhaust Pump	JY017465
SJ, J-Series	1977-86	3.8L (6-232), 4.2L (6-258)	V		JY017465
SJ, J-Series	1976-91	5.9L (V8-360), 6.6L (V8-401)	V	54" Long, Crankshaft to Power Steering Pump	JY013541
SJ, J-Series	1976-81	5.9L (V8-360), 6.6L (V8-401)	V	w/o A/C, w/ 70 Amp Alternator	JY013291

## Power Steering Pressure Hoses



Models	Years	Engine	Comments	Replaces Part #
CJ-5, 6	1975	3.8L (6-232), 4.2L (6-258)		J5354381
CJ-5, 6, 7	1976-79	3.8L (6-232), 4.2L (6-258)		J5357191
CJ-5, 7	1980-81	3.8L (6-232), 4.2L (6-258)		J5370018
CJ-5, 7, 8	1982-86	4.2L (6-258)		J5363661
CJ-5, 6	1972-75	5.0L (V8-304)	w/ Left Hand Drive	J5354381
CJ-5, 6, 7	1976-79	5.0L (V8-304)		J5357191
CJ-5, 7, 8	1980-81	5.0L (V8-304)		J5370016
SJ, J-Series	1975-78	4.2L (6-258)		J5355891
SJ, J-Series	1980-86	4.2L (6-258)		52003769
SJ, J-Series	1972-79	5.9L (V8-360), 6.6L (V8-401)		J5355891
SJ, J-Series	1980-91	5.9L (V8-360)		52003079

## Power Steering Return Hoses



Models	Years	Engine	Replaces Part #
CJ-5, 7, 8	1980-83	GM 2.5L (4-151)	J5370019
CJ-5, 6	1973-74	3.8L (6-232), 4.2L (6-258)	J5357190
CJ-5, 7	1977-79	3.8L (6-232), 4.2L (6-258)	J5357190
CJ-5, 7	1980	4.2L (6-258)	J5370019
CJ-5, 7, 8	1981-86	4.2L (6-258)	J5363662
CJ-5, 6, 7	1976-79	5.0L (V8-304)	J5357190
CJ-5, 7, 8	1980-81	5.0L (V8-304)	J5370019
C104 Commando	1973-74	4.2L (6-258)	J5357190
SJ, J-Series	1976-79	4.2L (6-258)	J5357190
SJ, J-Series	1976-79	5.9L (V8-360), 6.6L (V8-401)	J5357190





**Early Model CJs** . . . . . 13-2  
MB, CJ-2A, 3A, 3B

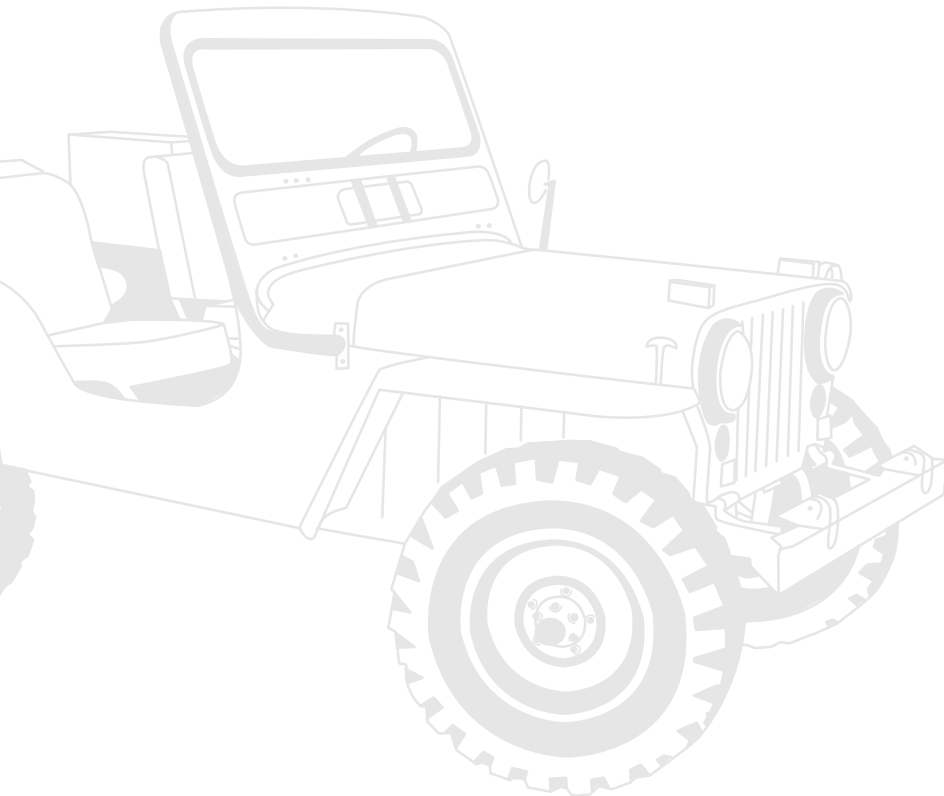
**Late Model CJs** . . . . . 13-4  
CJ-5, 6, 7, 8

**Willys Station Wagons, Delivery Sedan and Pickup** . . . . . 13-6

**SJ, J-Series** . . . . . 13-7

**C101, C104 Commando** . . . . . 13-8

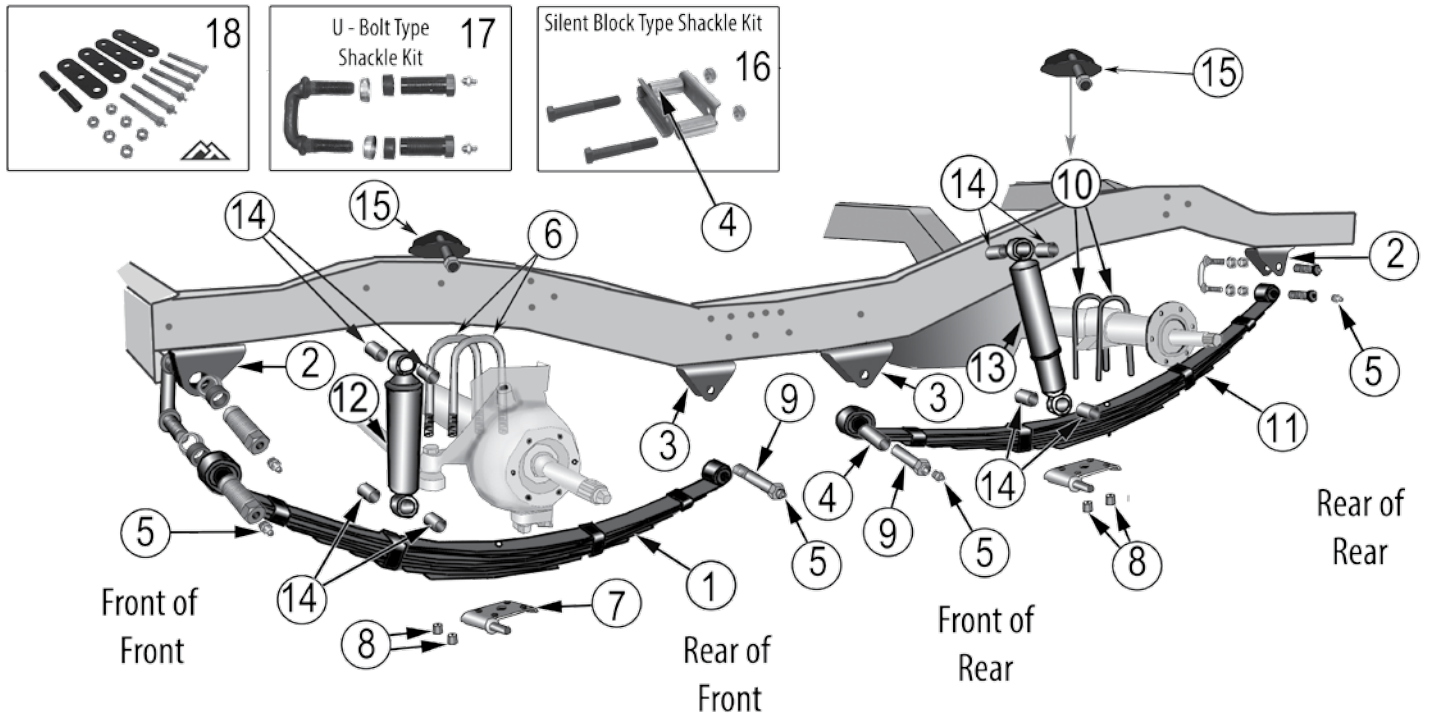
**FC-150, FC-170** . . . . . 13-8



# Suspension

# Early Model CJs

MB, CJ-2A, 3A, 3B



Item #	Description	Application	Position	Comments	Replaces Part #
1	Leaf Spring Assembly	MB, CJ-2A, 3A All	Front Front	2 Bushings Pressed in - 8 Leaves 2 Bushings Pressed in - 10 Leaves	A612 916056
2	Bracket, Leaf Spring Mount	All CJ-3B	Shackle End of Front Spring Shackle End of Front Spring	w/ U-Bolt Shackles w/ Silent Block Shackles	JA000544 J0645966
3	Bracket, Leaf Spring Mount	All	Pivot End of Front or Rear Spring		A500
4	Bushing, Leaf Spring	All CJ-3B All	Shackle End of Front or Rear Spring Shackle End of Front Spring Pivot End of Front or Rear Spring	w/ U-Bolt Shackles; Bronze w/ Silent Block Shackles; Rubber Bronze	J0359039 J0921055 J0359039
5	Fitting, Grease	All	Front or Rear	Threaded	392909
6	U-Bolt, Front	All All		3 Required; 7/16"-20 Threads** 1 Required; 7/16"-20 Threads**	J0909222 J0808988
7	Spring Plate, Front	All All	Front Right Front Right	Uses a Nut to Hold Shock On Uses a Cotter Pin to Hold Shock On	J0800823 8132938 *
8	Nut, U-Bolt	All	Front or Rear	7/16"-20 Threads	J0339372
9	Bolt, Leaf Spring Pivot	All	Front or Rear	Includes Grease Fitting, Nut and Cotter Pin	J0384228
10	U-Bolt, Rear	All	Rear	4 Required**	J0999546
11	Leaf Spring Assembly	All	Rear	2 Bushings Pressed In - 9 Leaves	A614
12	Shock Absorber	CJ-2A, 3A, 3B CJ-2A, 3A, 3B	Front Front	Standard Duty Heavy Duty	910144 J8133290
13	Shock Absorber	CJ-2A, 3A, 3B CJ-2A, 3A, 3B	Rear Rear	Standard Duty Heavy Duty	910144 83500177
14	Bushing, Shock Absorber	All	Front or Rear	4 Required Per Shock	J0637936
15	Mounting Bracket, Shock Absorber	CJ-3A, 3B	Front or Rear, Upper	Includes Nylock Nut	J0805635
16	Shackle Kit	CJ-3B	Front or Rear	Silent Block Type	J0916646
17	Shackle Kit	All All All All	Left Front Right Front Left Rear Right Rear	U-Bolt Type; Left Thread U-Bolt Type; Right Thread U-Bolt Type; Right Thread U-Bolt Type; Left Thread	J0802061 J0802062 J0802062 J0802061
18	Heavy Duty Shackle Kit	CJ-3B	Front or Rear	Provides 3/4" Lift	RT21021 

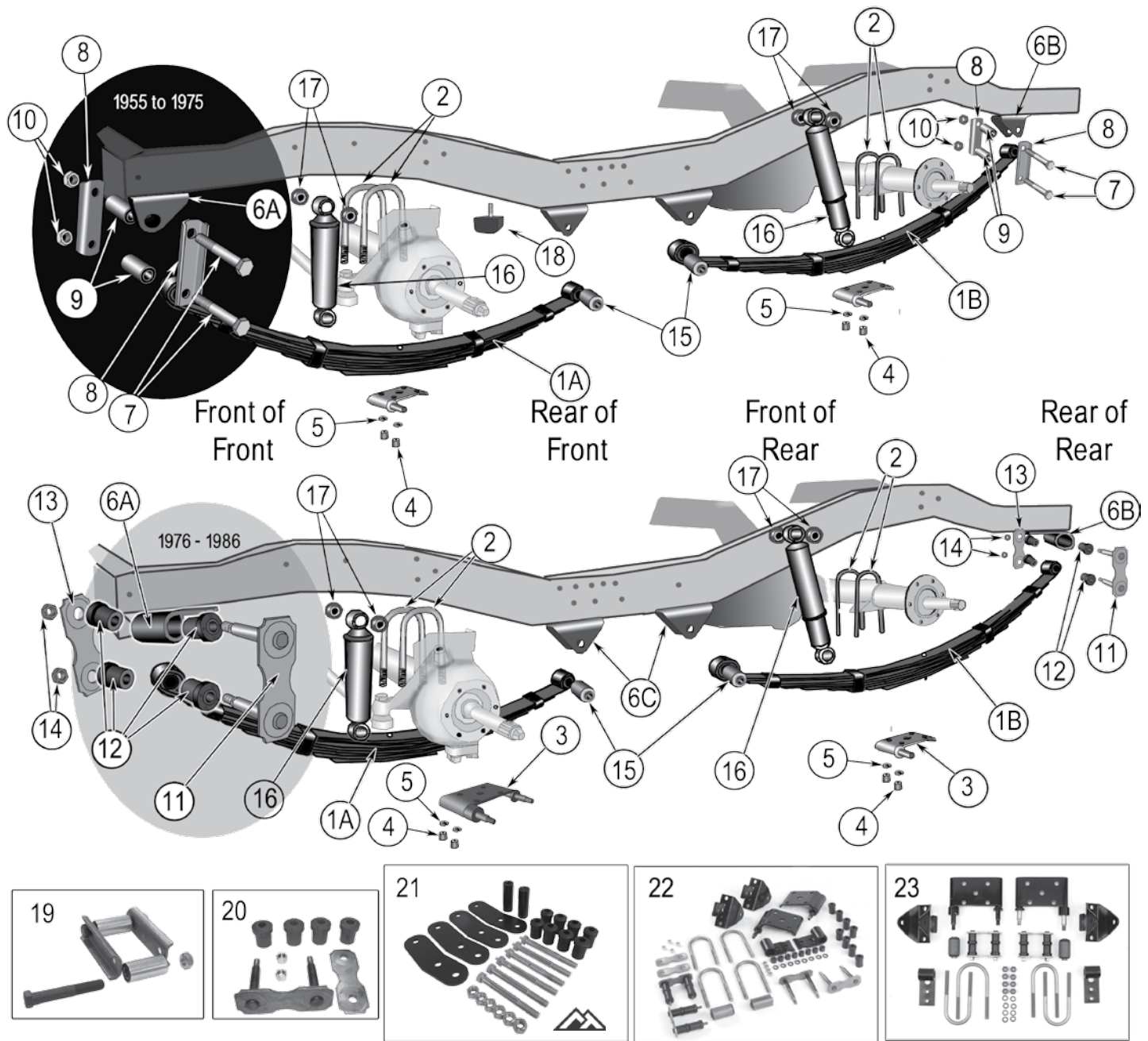
\* Not Currently Available

\*\* Includes U-Bolt, Washers and Nuts

# Suspension

# Late Model CJs

CJ-5, 6, 7, 8



Item #	Description	Application	Position	Comments	Replaces Part #
1A	Leaf Spring Assembly	1955-75 CJ-5, 6	Front	7 Leaves; 2 Bushings Pressed In	J0999529
		1976-86 CJ-5, 7, 8	Front	7 Leaves; 1 Bushing Pressed In	J5354892
		1976-86 CJ-5, 7, 8	Front	4 Leaves; 1 Bushing Pressed In	J5363229
1B	Leaf Spring Assembly	1955-75 CJ-5, 6	Rear	9 Leaves; 2 Bushings Pressed In	J0916047
		1976-86 CJ-5, 7, 8	Rear	9 Leaves; 1 Bushing Pressed In	J5356423
		1976-86 CJ-5, 7, 8	Rear	6 Leaves; No Bushings Pressed In	J5363331

Item #	Description	Application	Position	Comments	Replaces Part #
2	U-Bolt	1955-71 CJ-5, 6	Front	3 Required**	J0909222
		1955-71 CJ-5, 6	Front	1 Required**	J0808988
		1972-75 CJ-5, 6	Front	3 Required**	J0999546
		1972-75 CJ-5, 6	Front	1 Required	J0999545
		1976-86 CJ-5, 7, 8	Front	3 Required, Heavy Duty**	8130369HD
		1976-86 CJ-5, 7, 8	Front	1 Required, Heavy Duty**	8130370HD
		1976-86 CJ-5, 7, 8	Rear	w/ AMC 20, Heavy Duty**; 4 Required	8130370HD
		1986 CJ-7, 8	Rear	w/ Dana 44**; 4 Required	999210
3	Plate, Spring	1976-86 CJ-5, 7, 8	Left Front		J5359011
		1976-86 CJ-5, 7, 8	Right Front		J5359012
		1976-86 CJ-5, 7, 8	Left Rear		J5363439
		1976-86 CJ-5, 7, 8	Right Rear		J5363440
4	Nut, U-Bolt	1955-75 CJ-5, 6	Front or Rear	7/16"-20 Threads	J0339372
		1976-86 CJ-5, 7, 8	Front or Rear	1/2"-20 Threads	JA014709
5	Lock Washer, U-Bolt	1976-86 CJ-5, 7, 8	Front or Rear	1/2"	J5350644
6A	Bracket, Spring	1955-75 CJ-5, 6	Front	Shackle End	J0645966
		1976-86 CJ-5, 7, 8	Front	Shackle End	J5355689
6B	Bracket, Spring	1955-75 CJ-5, 6	Rear	Shackle End	J0645966
		1976-86 CJ-5, 7, 8	Rear	Shackle End	J5355281
6C	Bracket, Spring	1976-86 CJ-5, 7, 8	Front or Rear	Pivot End	J8127712
7	Bolt, Shackle	1955-75 CJ-5, 6	Front or Rear	7/16"-20	809236
8	Plate, Shackle	1955-75 CJ-5, 6	Front or Rear	2 Required Per Shackle	J0645964
9	Bushing, Shackle	1955-75 CJ-5, 6	Front or Rear	2 Required Per Shackle	J0921055
10	Nut, Shackle	1955-75 CJ-5, 6	Front or Rear	7/16" Lock Nut	272712
11	Shackle	1976-86 CJ-5, 7, 8	Front		J5357620
		1976-86 CJ-5, 7, 8	Rear		J5357499
12	Bushing, Shackle	1976-86 CJ-5, 7, 8	Front	2 Required Per Eye	J5355966
		1976-86 CJ-5, 7, 8	Rear	2 Required Per Eye	J5355841
13	Plate, Shackle	1976-86 CJ-5, 7, 8	Front or Rear	1 Required Per Shackle	J5357497
14	Nut, Locking, Shackle	1976-86 CJ-5, 7, 8	Front or Rear	2 Required Per Shackle	G9416532
15	Bushing, Spring Eye	1955-75 CJ-5, 6	Front or Rear	1-13/16" Wide	J0921055
		1974-75 CJ-5, 6	Rear	2-3/64" Wide	J5352659
		1976-86 CJ-5, 7, 8	Front; Pivot End		J5353851
		1976-86 CJ-5, 7, 8	Rear; Pivot End		J5355369
16	Shock Absorber	1955-86 CJ-5, 6, 7, 8	Front	Severe Duty	83500176
		1955-86 CJ-5, 6, 7, 8	Rear	Heavy Duty	83500177
		1955-86 CJ-5, 6, 7, 8	Front	Heavy Duty	J8133290
17	Bushing, Shock Absorber	1955-86 CJ-5, 6, 7, 8	Front or Rear	2 Required Per Eye	J0637936
18	Bump Stop	1955-71 CJ5, 6	Front	Bolts to Bracket on Frame and Contacts Leaf Spring	J0931263
19	Shackle Kit	1955-75 CJ-5, 6	Front or Rear	Includes 7, 8, 9, 10	J0916646
20	Shackle Kit	1976-86 CJ-5, 7, 8	Front	Includes 11, 12, 13, 14	5357620K
		1976-86 CJ-5, 7, 8	Rear	Includes 11, 12, 13, 14	5357499K
21	Heavy Duty Shackle Kit	1955-75 CJ-5, 6	Front or Rear	Provides 3/4" Lift; Greasable	RT21021
		1976-86 CJ-5, 7, 8	Rear	Provides 3/4" Lift; Greasable	RT21022
22	Complete Mounting Kit	1976-86 CJ-5, 7, 8	Rear	Includes 2, 3, 4, 5, 6A, 6B, 6C, 19	5359007K
23	Complete Mounting Kit	1976-86 CJ-5, 7, 8	Front	Includes 2, 3, 4, 5, 6A, 6B, 6C, 19	5359011K

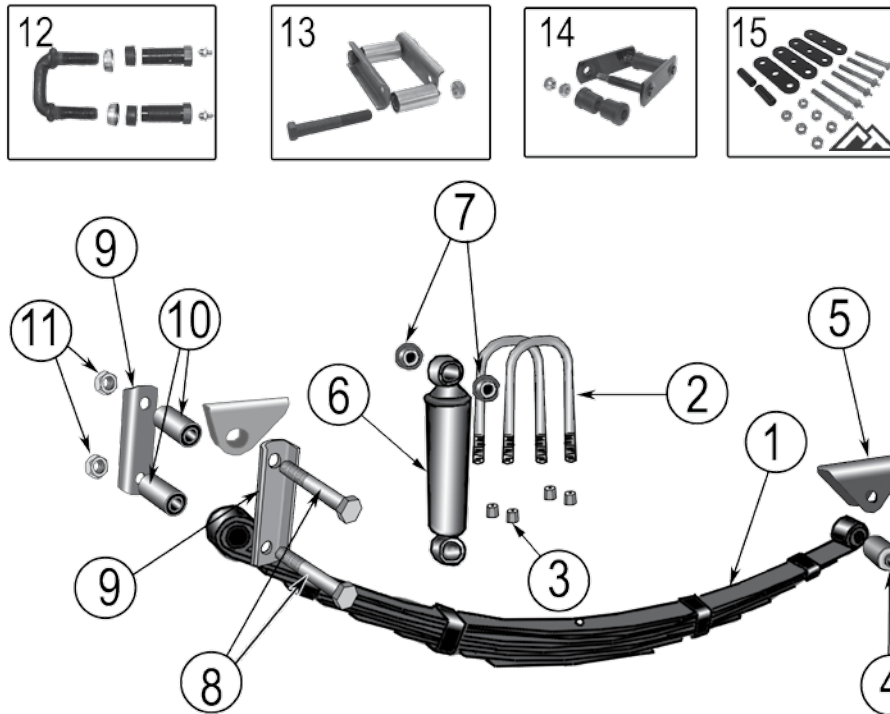
\*\* Includes U-Bolt, Washers and Nuts




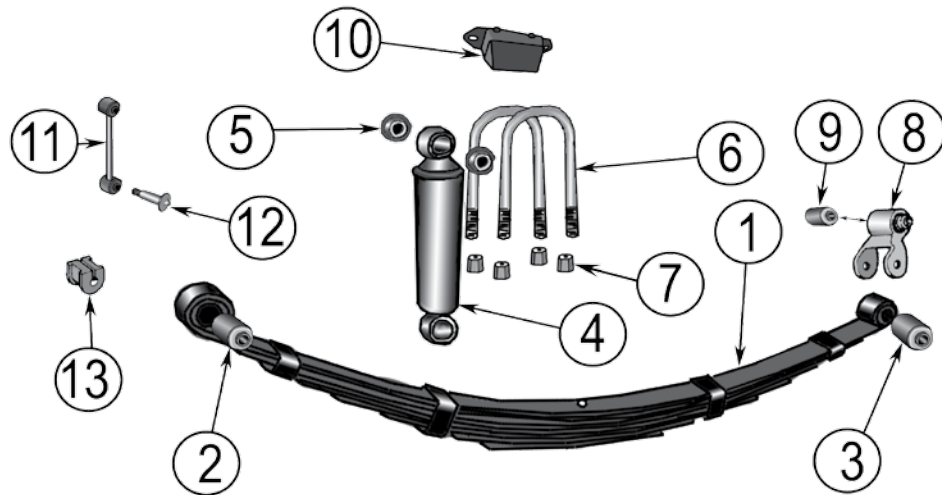


# Suspension

## Willys Station Wagon, Delivery Sedan and Pickup



Item #	Description	Position	Comments	Replaces Part #
1	Leaf Spring Assembly	Front	w/ 4 Wheel Drive; 10 Leaves	916056
2	U-Bolt	Front	w/ 4 Wheel Drive; 1 Per Vehicle	J0644418
		Front	w/ 4 Wheel Drive; 3 Per Vehicle	J0644419
		Rear		J0999546
3	Nut, U-Bolt	All	7/16"-20 Threads	J0339372
4	Bushing, Leaf Spring	Front Spring; Pivot End	Rubber	J0921055
		Front Spring; Shackle End	Bronze	J0359039
		Rear Spring, Pivot or Shackle End	w/ 4 Wheel Drive	J0648594
5	Bracket, Spring Shackle	Front or Rear	w/ U-Bolt Shackles	JA000544
		Front or Rear	w/ Silent Block Shackles	J0645966
6	Shock Absorber	Front	Heavy Duty	J8133290
		Rear	Heavy Duty	909680
7	Bushing, Shock Absorber	Front or Rear	2 Required Per Eye	J0637936
8	Bolt, Shackle	Front or Rear	w/ Silent Block Shackles	809236
9	Plate, Shackle	Front or Rear	w/ Silent Block Shackles	J0645964
10	Bushing, Shackle	Front or Rear	w/ Silent Block Shackles	J0921055
11	Nut, Shackle	Front or Rear	Locking; w/ Silent Block Shackles	272712
12	Shackle Kit	Left Front	Left Thread (U-Bolt Style)	J0802061
		Right Front	Right Thread (U-Bolt Style)	J0802062
		Left Rear	Right Thread (U-Bolt Style)	J0802062
		Right Rear	Left Thread (U-Bolt Style)	J0802061
13	Shackle Kit	Front	w/ Silent Block Shackles	J0916646
14	Shackle Kit	Rear	w/ Silent Block Shackles	J0928763
15	Heavy Duty Shackle Kit	Front	Provides 3/4" Lift; Greasable	RT21021 

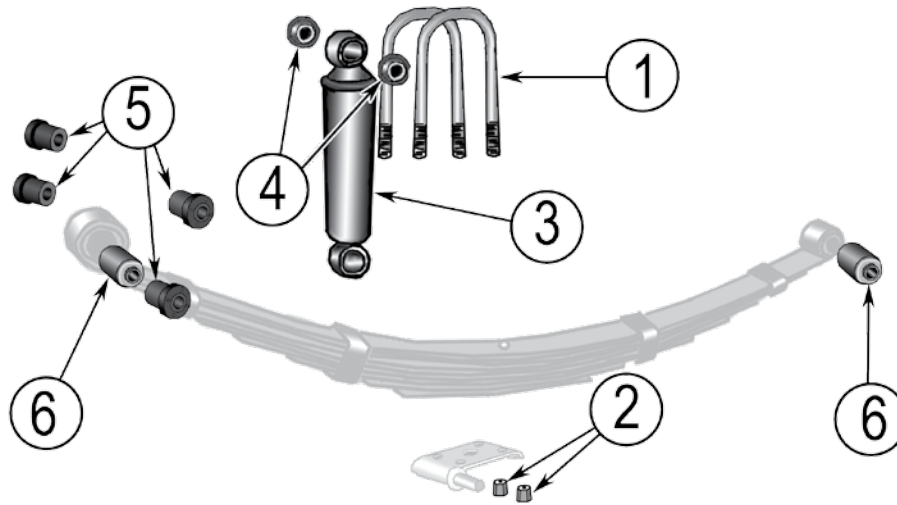


Item #	Description	Application	Location	Comments	Replaces Part #
1	Leaf Spring Assembly	1976-91 SJ 1976-91 SJ	Rear Front	5 Leaves, Includes Bushings; Heavy Duty 4 Leaves, Includes Bushings; Heavy Duty	J5362956 J5362950
2	Bushing, Leaf Spring	1963-64 SJ 1965-75 SJ, J-Series 1976-77 SJ, J-Series 1977 SJ, J-Series 1978-91 SJ, J-Series 1962-91 SJ, J-Series	Front Spring, Shackle End Front Spring, Shackle End Front Spring, Shackle End Front Spring, Shackle End Front Spring, Shackle End Rear Spring, Shackle End	w/ 1-1/2" O.D. Bushing w/ 1-1/4" O.D. Bushing	J0930522 J0944871 J0944871 J0944870 J0944870 J0944870
3	Bushing, Leaf Spring	1963-73 SJ 1974-75 SJ, J-Series 1976-77 SJ, J-Series 1977-90 SJ, J-Series 1977-91 SJ, J-Series 1974-75 SJ, J-Series 1976-78 SJ 1976-80 J-Series 1976-80 J-Series 1979-90 SJ 1979-91 SJ	Front Spring, Pivot End Front Spring, Pivot End Front Spring, Pivot End Front Spring, Pivot End Front Spring, Pivot End Rear Spring, Pivot End Rear Spring, Pivot End Rear Spring, Pivot End Rear Spring, Pivot End Rear Spring, Pivot End Rear Spring, Pivot End	w/ 1-1/4" O.D. Bushing w/ 1-1/2" O.D. Bushing w/ 2" O.D. Bushing	J0944870 J5352250 J5352250 J5355369 J5358985* J5352249 J5355369 J5355369 J5358985* J5355369 J5358985*
4	Shock Absorber	1974-91 SJ, J-Series 1974-91 SJ, J-Series	Front Rear	Heavy Duty Heavy Duty	83500176 83503693
5	Bushing, Shock Absorber	1963-91 SJ, J-Series	Front or Rear		J0637936
6	U-Bolt	1974-91 SJ, J-Series 1974-91 SJ, J-Series		9/16" -18 Thread, 3.75" Wide 9/16" -18 Thread, 3.40" Wide	J5352088 J8129475
7	Nut, U-Bolt	1974-91 SJ	Front or Rear	9/16" -18 Thread	J9420350
8	Shackle	1974-91 SJ 1976-91 J-10	Front or Rear, L or R Front or Rear, L or R		52000507 52000507
9	Bushing, Shackle	1973 SJ 1974-91 SJ, J-Series	Front or Rear Front or Rear	2-3/4" Long; 9/16" I.D.	J0944870 J5352079
10	Bump Stop	1976-91 J-Series	Front or Rear, L or R		J5355483
11	Link, Sway Bar	1976-91 SJ, J-Series	Front, L or R	11" Long	J5355594
12	Pin, Sway Bar Link	1976-91 SJ, J-Series	Front, L or R	1/2"-20 Threads	J5352878
13	Bushing, Sway Bar	1971-84	Front or Rear, L or R	w/ .8125" Sway Bar	J5355315

\* Not Currently Available

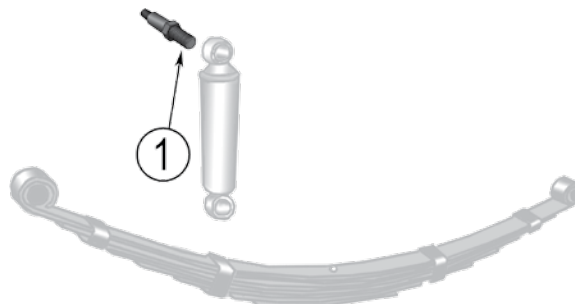
# Suspension

## C101, C104 Commando

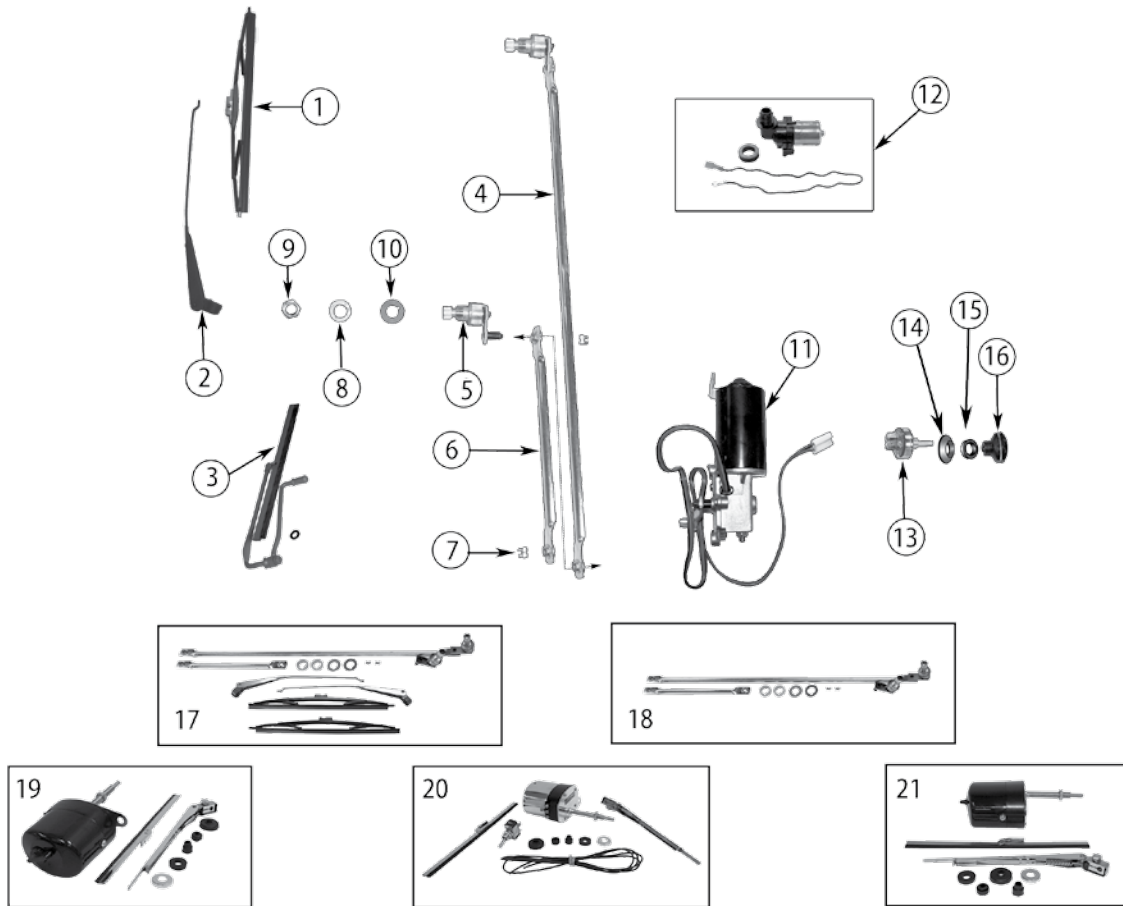


Item #	Description	Model	Location	Comments	Replaces Part #
1	U-Bolt	C101	Rear	4 Required, Includes Nuts and Washers	J0999546
		C104	Rear	4 Required, Includes Nuts and Washers	999210
		C101, C104	Front	1 Required, Includes Nuts and Washers	J0808988
		C101, C104	Front	3 Required, Includes Nuts and Washers	J0999546
2	Nut, U-Bolt	C101, C104	Front or Rear	7/16"-20 Threads	J0339372
3	Shock Absorber	C101	Front or Rear	w/ Rear Mounted Steering Gear; Heavy Duty	J8133290
		C104	Front	Heavy Duty	J8133290
		C104	Rear	Heavy Duty	83500177
4	Bushing, Shock Absorber	C101, C104	Front or Rear	2 Required Per Eye	J0637936
5	Bushing, Shackle	C104	Rear	2 Required Per Eye	J5355841
6	Bushing, Leaf Spring	C101, C104	Front Spring, Pivot End		J0992010

## FC-150, FC-170



Item #	Description	Location	Comments	Replaces Part #
1	Mounting Stud, Shock Absorber	Front or Rear		J0912703



Item #	Description	Years / Model	Position / Comments	Replaces Part #	
1	Blade, Wiper, Front	1941-63 MB, CJ-2A, 3A, 3B, 5, 6, M38, M38-A1	L or R	w/ Electric Wiper Conversion	WSHB1
		1950-63 M38, M38-A1	L or R	w/ Vacuum Wiper Motor, Green, 9"	500813
		1955-75 CJ-5, 6	L or R	9"	J0981809
		1981-86 CJ-5, 7, 8	L or R	Black - 11" (New Style)	83505426
		1968-80 CJ-5, 6, 7	L or R	Stainless - 11" (Original Style)	J0973819
		1979-91 SJ, J-Series	L or R	16"	56002292
2	Arm, Wiper, Front	1941-45 MB	L or R	w/ Vacuum Wiper Motor, Green	A12865
		1941-63 MB, CJ-2A, 3A, 3B, 5, 6, M38, M38-A1	L or R	w/ Electric Wiper Conversion	WSHA1
		1968-86 CJ-5, 6, 7, 8	L or R		J5758005
		1968-86 CJ-5, 6, 7, 8	L or R	Stainless	J5762337
		1979-91 SJ, J-Series	Left	Black	55155649
3	Wiper Assembly	1941-45 MB	Single	9.5", Green, Manually Controlled	A2586
4	Pivot	1976-86 CJ-5, 7, 8	Left	Less Rod	J5453957
5	Pivot Assembly	1976-86 CJ-5, 7, 8	Right	Including Rod, 24" Long	J5453958
6	Link	1976-86 CJ-5, 7, 8		To Wiper Motor	J5453960
7	Clip, Retaining	1974-86 CJ-5, 6, 7, 8			J0957868
		1981-91 SJ, J-Series			J0957868

Continued on next page

Item #	Description	Years / Model	Position / Comments	Replaces Part #
8	Spacer, Wiper Pivot	1968-86 CJ-5, 6, 7, 8		J5459081
9	Nut, Wiper Pivot	1968-86 CJ-5, 6, 7, 8		J4005672
10	Gasket, Wiper Pivot	1968-86 CJ-5, 6, 7, 8	Leather	J0973658
11	Motor, Wiper, Front	1968-75 CJ-5, 6 1976-83 CJ-5, 7, 8 1983-86 CJ-5, 7, 8 1981-86 SJ, J-Series	w/ Bottom-Mount, w/ 3 Wire Plug w/ 3 Wire Plug w/ 4 Wire Plug	J0978529 J5453956 J5763696 J5758467
12	Pump, Windshield Washer	1972-86 CJ-5, 6, 7, 8		36001132
13	Switch, Wiper	1968-82 CJ-5, 6, 7, 8 1983-86 CJ-5, 7, 8 1983-86 CJ-5, 7, 8 1981-85 SJ, J-Series 1981-85 SJ, J-Series 1986-88 SJ, J-Series 1986-91 SJ, J-Series	w/o Intermittent Wiper w/o Intermittent Wiper w/ Intermittent Wiper w/ Intermittent Wiper w/ Floor Shift, w/ Intermittent, w/o Tilt Wheel w/ Intermittent Wiper, w/ Tilt Wheel	J5460089 J5758687 J5758687 J5758904 J5758904 56000031 56007299
14	Bezel, Wiper Switch	1968-86 CJ-5, 6, 7, 8	Wiper	J0987911
15	Nut, Wiper Switch	1968-86 CJ-5, 6, 7, 8	Wiper	J4000056
16	Knob, Wiper Switch	1968-86 CJ-5, 6, 7, 8 1981-86 SJ, J-Series 1968-86 CJ-5, 6, 7, 8 1981-86 SJ, J-Series 1968-86 CJ-5, 6, 7, 8 1981-86 SJ, J-Series	OEM Style OEM Style Aluminum Aluminum Black Aluminum Black Aluminum	J5459189 J5459189 5459189AL 5459189AL 5459189B 5459189B

## Crown Kits

17	Wiper Linkage Master Kit	1976-86 CJ-5, 7, 8	Includes: Wiper Blades (New Style), Stainless Wiper Arms, Left and Right Wiper Links, Left and Right Wiper Pivots, Wiper Pivot Spacers, Gaskets, Retaining Clips, and Nuts	5453958KM
18	Wiper Linkage Kit	1976-86 CJ-5, 7, 8	Includes: Left and Right Wiper Links, Left and Right Wiper Pivots, Wiper Pivot Spacers, Gaskets, Retaining Clips, and Nuts	5453958K
19	12 Volt Wiper Motor Kit	1941-45 MB 1945-58 CJ-2A, 3A, 3B, 5, 6 1952 M38 1952-53 M38-A1	Black; Includes Motor, Arm, Blade, and Mounting Grommets	12V
20	12 Volt Wiper Motor Kit Stainless	1941-45 MB 1945-58 CJ-2A, 3A, 3B, 5, 6 1952 M38 1952-53 M38-A1	Stainless Steel; Includes Motor, Arm, Blade, Mounting Grommets, Toggle Switch and Wiring for Toggle Switch	12VST
21	6 Volt Wiper Motor Kit	1941-45 MB 1945-58 CJ-2A, 3A, 3B, 5, 6	Black; Includes Motor, Arm, Blade, and Mounting Grommets	6V

\*Not Currently Available

# Transmission

---

## Model T14

Borg-Warner 3-Speed Transmission . . . . . 15-2

## Model T15

Borg-Warner 3-Speed Transmission . . . . . 15-4

## Model T18

Borg-Warner 4-Speed Transmission . . . . . 15-6

## Model T84

Borg-Warner 3-Speed Transmission . . . . . 15-8

## Model T85

Borg-Warner 3-Speed Transmission . . . . . 15-10

## Model T86

Borg-Warner 3-Speed Transmission . . . . . 15-12

## Model T90

Borg-Warner 3-Speed Transmission . . . . . 15-14

## Model T98

Borg-Warner 4-Speed Transmission . . . . . 15-16

## Model T4

Borg-Warner 4-Speed Transmission . . . . . 15-18

## Model T5

Borg-Warner 5-Speed Transmission . . . . . 15-22

## Model SR4

Borg-Warner 4-Speed Transmission . . . . . 15-26

## Model T150

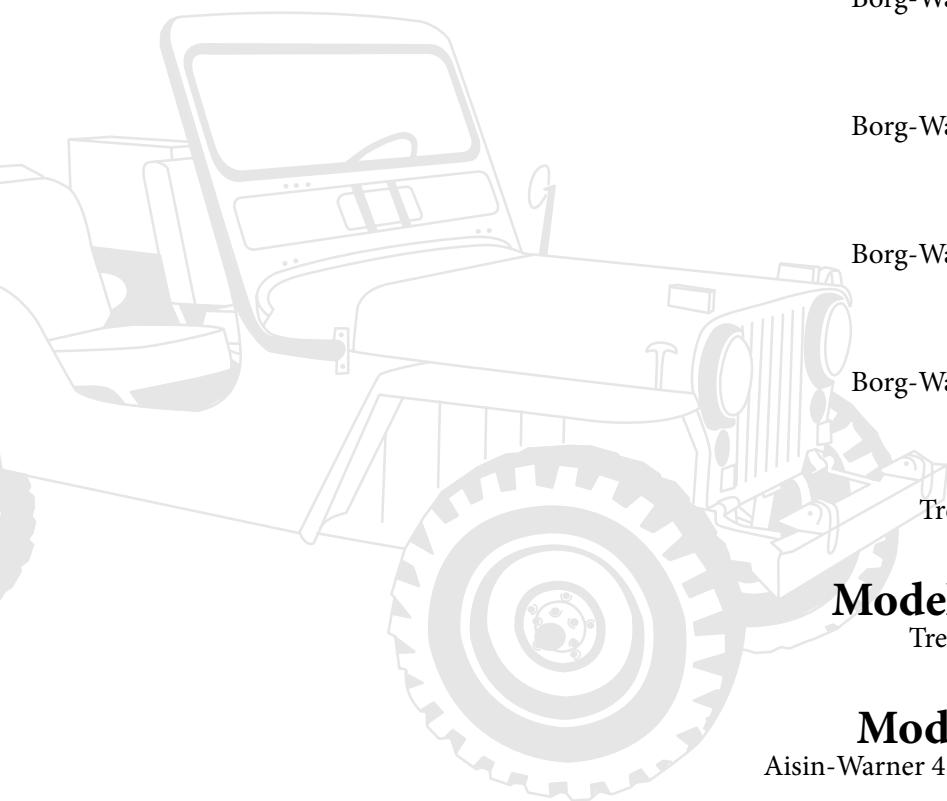
Tremec 3-Speed Transmission . . . . . 15-28

## Model T176 and T177

Tremec 4-Speed Transmissions . . . . . 15-32

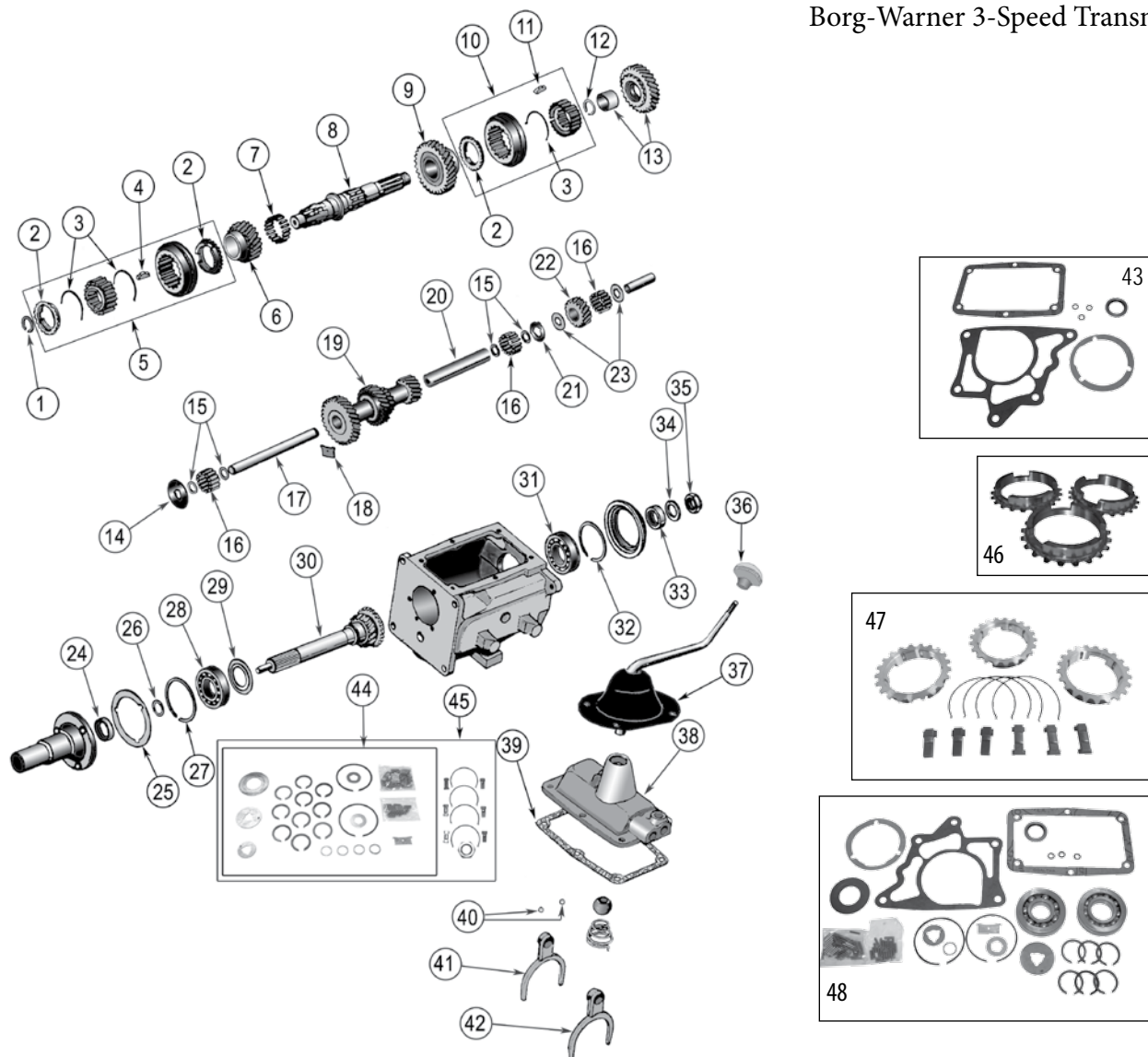
## Model AX4 and AX5

Aisin-Warner 4 and 5-Speed Transmissions . . . . . 15-36





## Borg-Warner 3-Speed Transmission

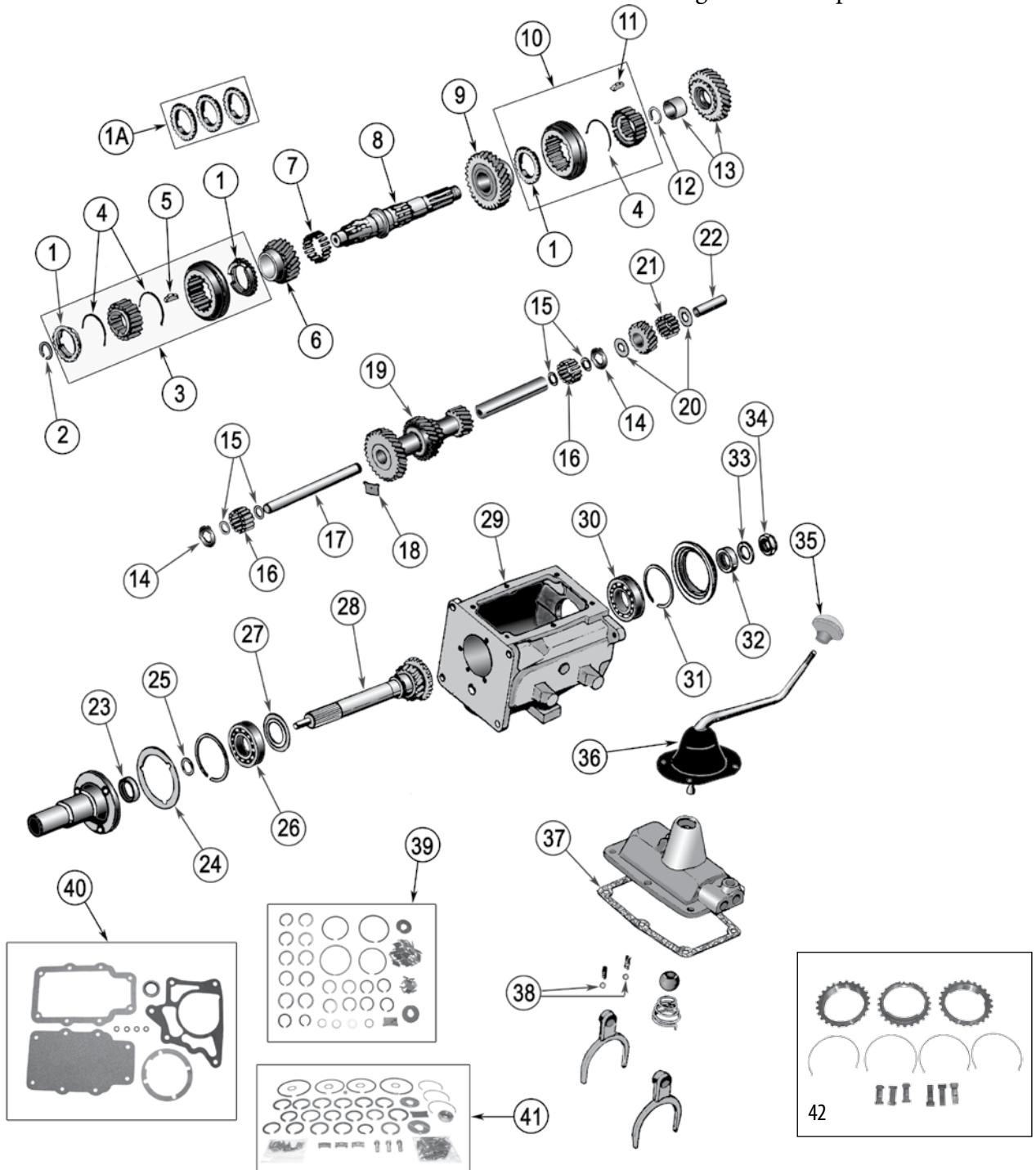


Item #	Description	Comments	Replaces Part #
1	Snap Ring, Synchronizer	.118" Thick .121" Thick .124" Thick .127" Thick .130" Thick	J0991022 J0991023 J3186262 J3186263 J0991066
2	Blocking Ring, Synchronizer	1st, 2nd, and 3rd Gear	J0991020
3	Spring, Synchronizer	1st, 2nd, and 3rd Gear	J3193236
4	Plate, Synchronizer	1st, 2nd, and 3rd Gear	J3192412
5	Synchronizer Assembly - 2nd and 3rd	All Except Tag # AS9-T14A, 13-02-047 Tag # AS9-T14A, 13-02-047	J0948991 J0991014
6	Gear, 2nd Speed	V6-225 Engine; S21-L26 Teeth 3.8L (6-232) and 4.2L (6-258) Engines; S21-L27 Teeth	J0991018 * J8124644
7	Roller Bearing, Mainshaft Pilot	21 Required	J3208152
8	Mainshaft	10-7/8" Long; S10-10-10 Splines	J0991012
9	Gear, 1st	S21-L30 Teeth	J0991026
10	Synchronizer Assembly - 1st and Reverse		J0948992
11	Plate, Synchronizer	1st Gear	J3192428

\* Not Currently Available

Item #	Description	Comments	Replaces Part #
12	Snap Ring, 1st and Reverse Synchronizer	.098" Thick .118" Thick .121" Thick .124" Thick .127" Thick .130" Thick	932111 J0991022 J0991023 J3186262 J3186263 J0991066
13	Gear, Reverse	S21-R28 Teeth	J0991037*
14	Thrust Washer, Countershaft	Front	J3113840
15	Washer, Countershaft Roller Bearing	4 Required	J3219632
16	Roller Bearing, Countershaft	60 Required	J8132403
17	Countershaft		J3192435
18	Plate, Reverse Idler Shaft and Countershaft Lock		J3192369
19	Gear, Cluster	R31-25-15-14 Teeth; Use w/ 2nd Speed Gear w/ S21-L26 Teeth; V6-225 Engine	J0991043
20	Spacer, Countershaft Roller Bearing		J0991045
21	Thrust Washer, Countershaft	Rear	J3192365
22	Gear, Reverse Idler	L16 Teeth	J3192429
23	Washer, Reverse Idler Gear Roller Bearing	2 Required	J3192427
24	Seal, Input		83300041
25	Gasket, Front Bearing Retainer		J0991062
26	Snap Ring, Front Bearing Retainer	.118" Thick .121" Thick .124" Thick .127" Thick .130" Thick	J0991022 J0991023 J3186262 J3186263 J0991066
27	Snap Ring, Input Shaft Bearing		640782
28	Bearing, Input Shaft		J3184013
29	Washer, Front Bearing Retainer		J3193968
30	Shaft, Input	11-1/2" Long; S21-L20 Teeth; V6-225 Engine 10-1/2" Long; S20-L20 Teeth; 3.8L (6-232) and 4.2L (6-258) Engines	J0991058 J0991059
31	Bearing, Mainshaft	Rear	J0992289
32	Snap Ring, Rear Mainshaft Bearing		J0991077
33	Spacer, Rear Mainshaft Bearing		J0991079
34	Washer, Mainshaft Nut		JA001410
35	Nut, Mainshaft		J8126806
36	Shift Knob	Threaded	J0929393
37	Shift Boot	CJ-5, 7	J0948185
38	Cover, Transmission Case	w/ Tag #: AS7-T14-A, AS11-T14A, 13-02-006, 13-02-007, 13-02-008, 13-02-046, 13-02-047	J0991081 *
39	Cover Gasket		J0991089
40	Ball, Poppet	5/16" Diameter	453593
41	Fork, Shift, 2nd and 3rd	w/o Tag #: AS1-T14A, 13-02-008, 13-02-014 w/ Tag #: AS1-T14A, 13-02-008, 13-02-014	J3192407 J0948990
42	Fork, Shift, 1st and Reverse	w/o Tag #: AS1-T14A, 13-02-008, 13-02-014 w/ Tag #: AS1-T14A, 13-02-008, 13-02-014	J3192407 J0948990
43	Gasket and Seal Set	Includes All Seals and Gaskets	J0991198
44	Small Parts Kit	Includes Snap Rings, Retainers, Washers, and Roller Bearings	T14A
45	Small Parts Master Kit	Includes T14A Plus Mainshaft Nut, Synchronizer Plates and Springs	T14AMK
46	Blocking Ring Set, Synchronizer	Includes 3 Blocking Rings	J3209971
47	Synchronizer Repair Kit	Includes 3 Blocking Rings, 6 Keys and 4 Springs	991020X
48	Installation Kit, Transmission	Includes T14A Plus Input and Mainshaft Bearings	T14BSG

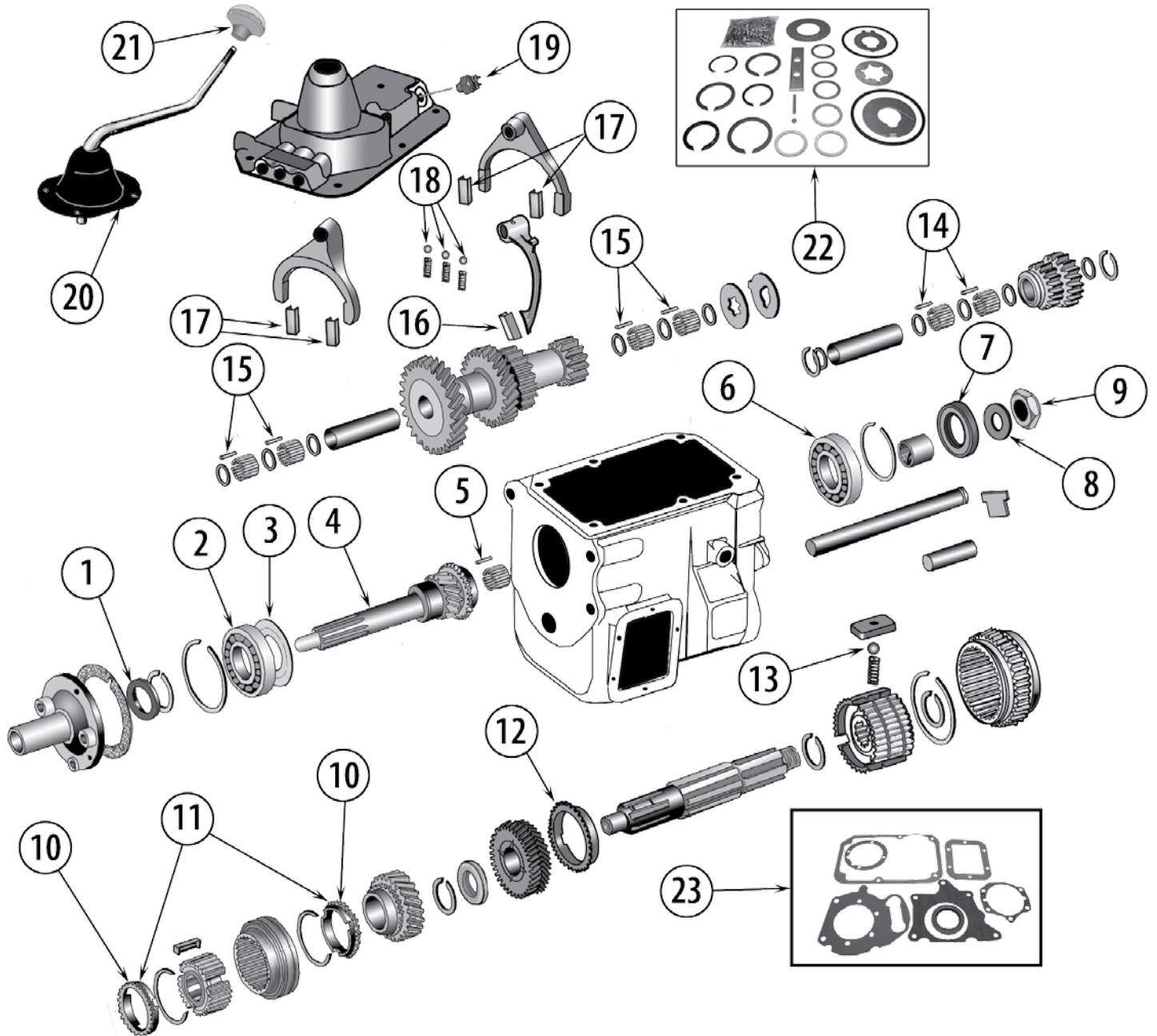
\* Not Currently Available



Item #	Description	Comments	Replaces Part #
1	Blocking Ring, Synchronizer	1st, 2nd, and 3rd Gear	J0991021
1A	Blocking Ring, Set, Synchronizer	Set of 3	J3209972
2	Snap Ring, 2nd and 3rd Gear Synchronizer	.118" Thick .121" Thick .124" Thick .127" Thick .130" Thick	J0991022 J0991023 J3186262 J3186263 J0991066
3	Synchronizer Assembly, 2nd and 3rd Gear		J0991014

Item #	Description	Comments	Replaces Part #
4	Spring, Synchronizer	1st, 2nd and 3rd Gear; 3 Required	J0991017
5	Plate, Synchronizer	2nd and 3rd Gear; 3 Required	J3192412
6	Gear, 2nd	S24-L26 Teeth	J0991019*
7	Roller Bearing, Mainshaft	21 Required	J3208152
8	Mainshaft		J0991013
9	Gear, 1st	S24-L29 Teeth	J0991027
10	Synchronizer Assembly, 1st and Reverse		83300035 *
11	Plate, Synchronizer	1st and Reverse; 3 Required	J3192434
12	Snap Ring, Synchronizer	.125" Thick	J0991030
13	Gear, Reverse	S24-R29 Teeth	J0991038 *
14	Thrust Washer, Countershaft	Front or Rear	J0941662
15	Washer, Countershaft Roller Bearing	4 Required	J3112993
16	Roller Bearing, Countershaft	44 Required	J4485673
17	Countershaft		J3192422 *
18	Plate, Reverse Idler Shaft and Countershaft Lock		J3192372
19	Gear, Countershaft Cluster	R31-22-15-15 Teeth	J0991044 *
20	Washer, Reverse Idler Gear Roller Bearing		J0944334
21	Roller Bearing, Reverse Idler Gear	22 Required	J4485673
22	Shaft, Reverse Idler Gear		J0991051
23	Seal, Input		83300041
24	Gasket, Front Bearing Retainer		J3192431
25	Snap Ring, Front Bearing Retainer	.118" Thick .127" Thick	J3192351 J0991070
26	Bearing, Input Shaft		J4488141
27	Washer, Front Bearing Retainer		J0640893
28	Shaft, Input	w/ Tag #s AS5-T15A, 13-07-005, 13-07-011, 13-07, 012, 13-07-045, 13-07-046; S20 - L20 Teeth; 10-15/16" Long	J0991061*
29	Case, Transmission	w/ Tag # AS1-T15A	J0991009 *
30	Bearing, Mainshaft	Rear	J0991076
31	Snap Ring, Rear Mainshaft Bearing		J8132430
32	Spacer, Mainshaft Bearing		J0991080
33	Washer, Mainshaft Nut		JA001410
34	Nut, Mainshaft		J8126806
35	Knob, Shifter		J0929393
36	Boot, Shifter	CJ-5, 7	J0948185
37	Gasket, Transmission Cover	w/ Floor Mounted Shifter w/ Column Mounted Shifter	J0991090 J0991200
38	Ball, Poppet		453593
39	Small Parts Kit	Includes Snap Rings, Retainers, Washers, and Roller Bearings	T15A
40	Gasket and Oil Seal Set	Includes All Seals and Gaskets	J0991199
41	Small Parts Master Kit	Includes T14A Plus Mainshaft Nut, Synchronizer Plates, and Springs	T15AMK
42	Synchronizer Repair Kit	Includes 3 Blocking Rings, 4 Springs and 6 Keys	991021X

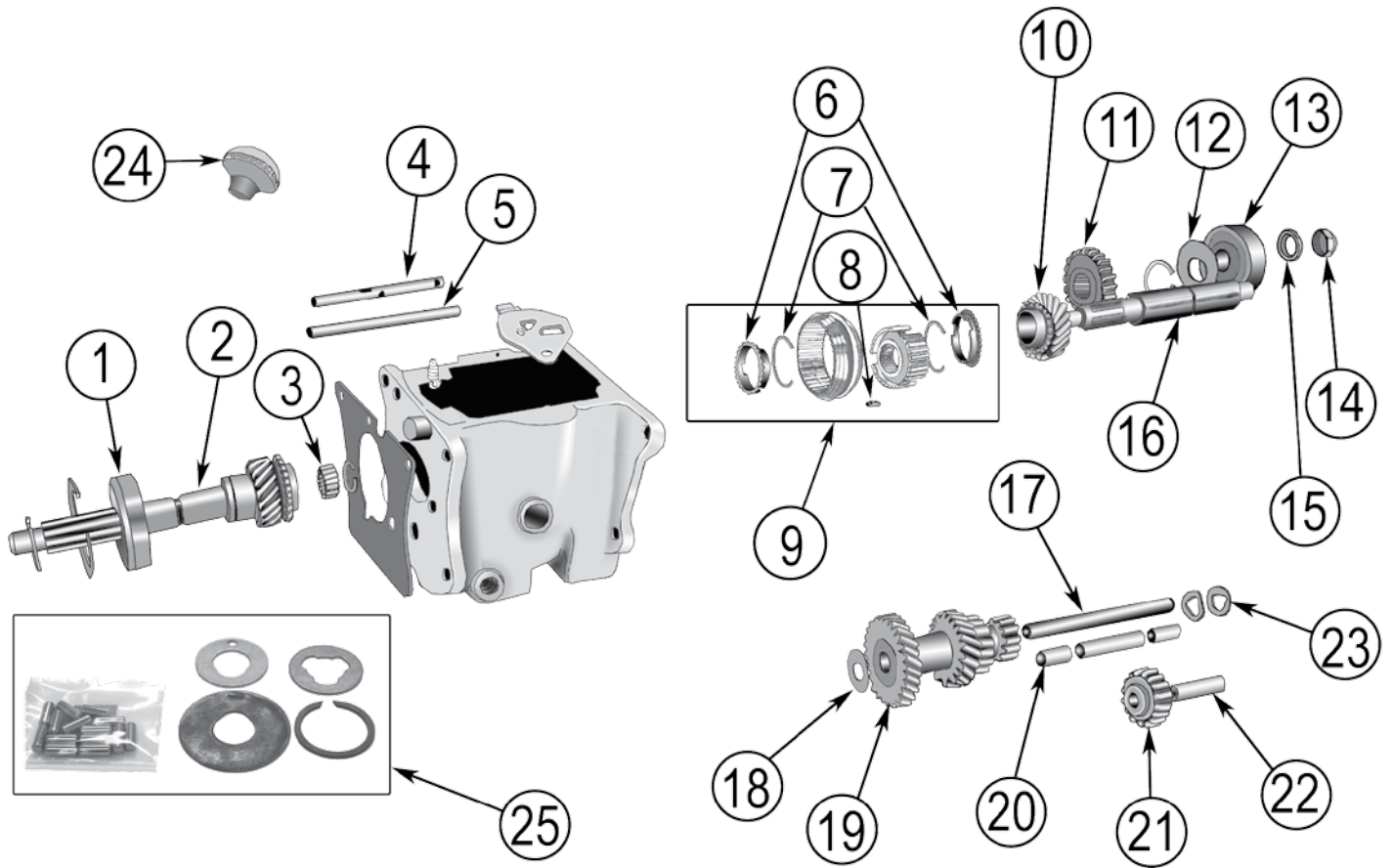
\* Not Currently Available



Item #	Description	Comments	Replaces Part #
1	Seal, Input		J8132779
2	Input Shaft Bearing	Front	J4488141
3	Washer, Front Bearing Retainer		J0640893
4	Shaft, Input	CJ-5, 7 w/ Tag #s: 13-01-177, 13-01-178	J8128103
5	Roller Bearing, Input Shaft	22 Required	J0912345
6	Bearing, Main Shaft	Rear	J8136623
7	Output Seal		J0939335
8	Washer, Main Shaft Nut		JA001410
9	Nut, Main Shaft		J8126806
10	Blocking Ring, Synchronizer	3rd and 4th Gear	J0912324 *
11	Blocking Ring Set, Synchronizer	3rd and 4th Gear; Includes 2 Rings	J8130256
12	Blocking Ring, Synchronizer	2nd Gear; Up to 8-22-83	J0912340
13	Ball, Synchronizer	6 Required	453593
14	Roller Bearing, Reverse Idler Shaft	74 Required	J0912354
15	Roller Bearing, Countershaft	88 Required	J0912345
16	Insert, Shift Fork	Reverse	J8130273
17	Insert, Shift Fork	1st , 2nd, 3rd and 4th	8130274
18	Ball, Shift Rail	3 Required	453593
19	Switch, Backup Lamp		J5350061
20	Boot, Shifter	CJ-5, 6 w/ V6-225 Engine	J0948185
21	Shift Knob	74/91 SJ, J-Series	J3241062
22	Small Parts Kit	Includes Bearings, Snap Rings, and Thrust Washers	T18
23	Gasket Set		J0923302

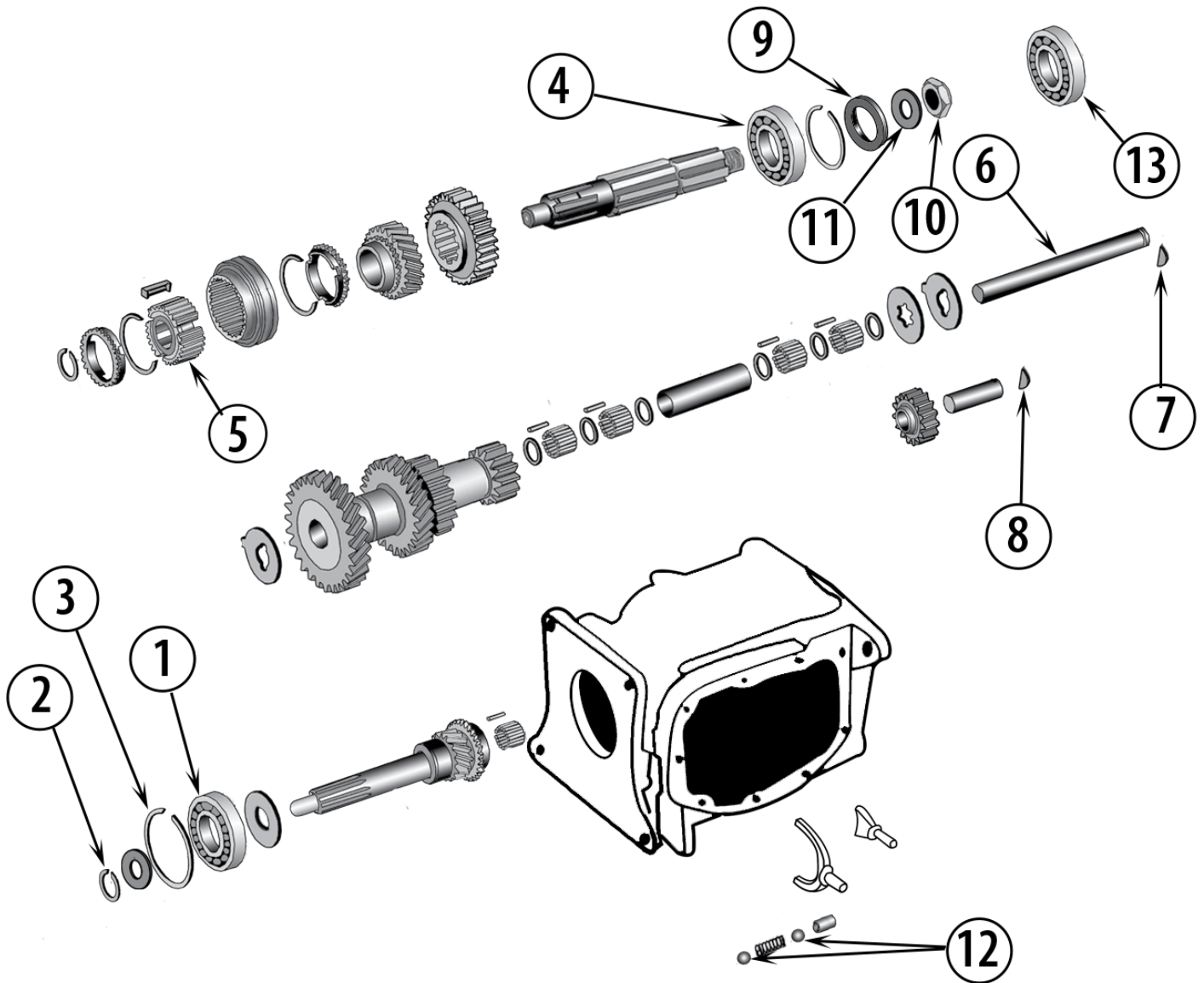
\* Not Currently Available





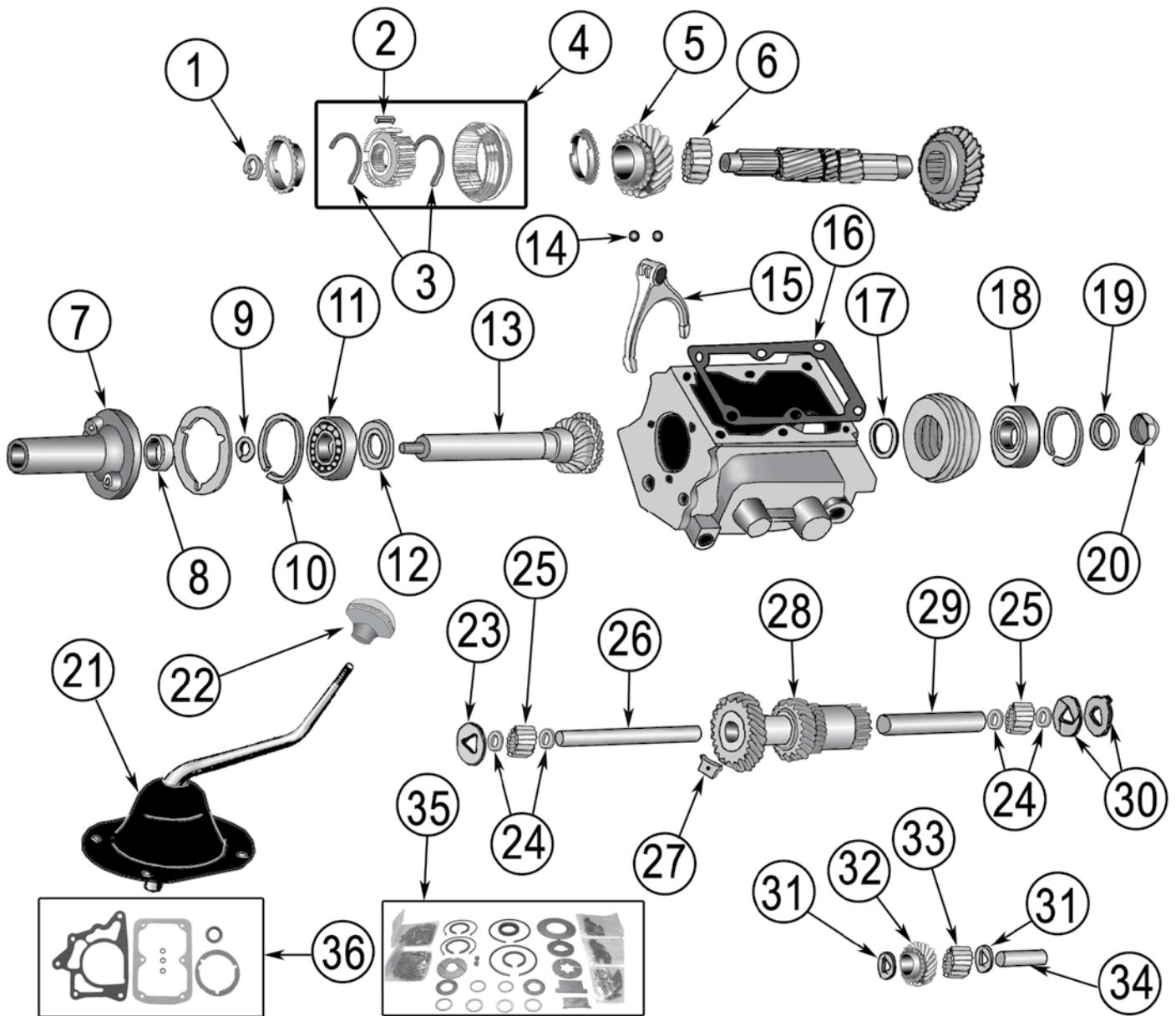
Item #	Description	Comments	Replaces Part #
1	Bearing, Input Shaft		J8136622
2	Shaft, Input	8 13/16" Long; S24-L17 Teeth	A5554
3	Roller Bearing, Input Pilot	14 Required	J0639422
4	Shift Rail, 1st and Reverse		A1156
5	Shift Rail, 2nd and 3rd		A1155
6	Blocking Ring, Synchronizer	2nd and 3rd Gear; 2 Required	637834
7	Spring, Synchronizer	2nd and 3rd Gear; 2 Required	J0637831
8	Plate, Synchronizer	2nd and 3rd Gear; 3 Required	J0637832
9	Synchronizer Assembly, 2nd and 3rd Gear		A6318
10	Gear, 2nd	S24-L22 Teeth	638798
11	Gear, 1st and Reverse	S25 Teeth - 6 Splines	636879
12	Slinger, Oil	Rear	A410
13	Bearing, Mainshaft	Rear	A916
14	Nut, Mainshaft		JA000520 *
15	Washer, Mainshaft Nut		JA001410
16	Mainshaft	9-5/16" Long; S6-6 Splines	A519
17	Countershaft		638948
18	Washer, Countershaft Thrust	Front	635812
19	Gear, Cluster	R29-24-S16-12 Teeth	A739
20	Bushing, Cluster Gear	2 Required	A878
21	Gear, Reverse Idler	S16 Teeth	636882*
22	Shaft, Reverse Idler Gear		638952*
23	Washer, Countershaft Thrust	Rear; Bronze	635811
24	Knob, Shifter		J0914946
25	Small Parts Kit	Includes Roller Bearings, Thrust Washers, and a Snap Ring	T84

\* Not Currently Available



Item #	Description	Comments	Replaces Part #
1	Input Bearing	Front	J0917068
2	Snap Ring, Input Bearing	Small; .089" Thick Small; .098" Thick	J0932107 932111
3	Snap Ring, Input Bearing	Large	640782
4	Bearing, Main Shaft	Rear	J8136619
5	Hub, Synchronizer	2nd and 3rd	J0943466
6	Countershaft		J0932418*
7	Key, Countershaft		G103905
8	Key, Reverse Idler Shaft		G103905
9	Spacer, Main Shaft	Rear; 2WD	J8128880
10	Nut, Main Shaft	Nylon Locknut; 4WD	J8126806
11	Washer, Main Shaft	4WD	JA001410
12	Ball, Shift Rail	2 Required	453593
13	Bearing, Overdrive	Rear; 2WD	J8136622

\* Not Currently Available



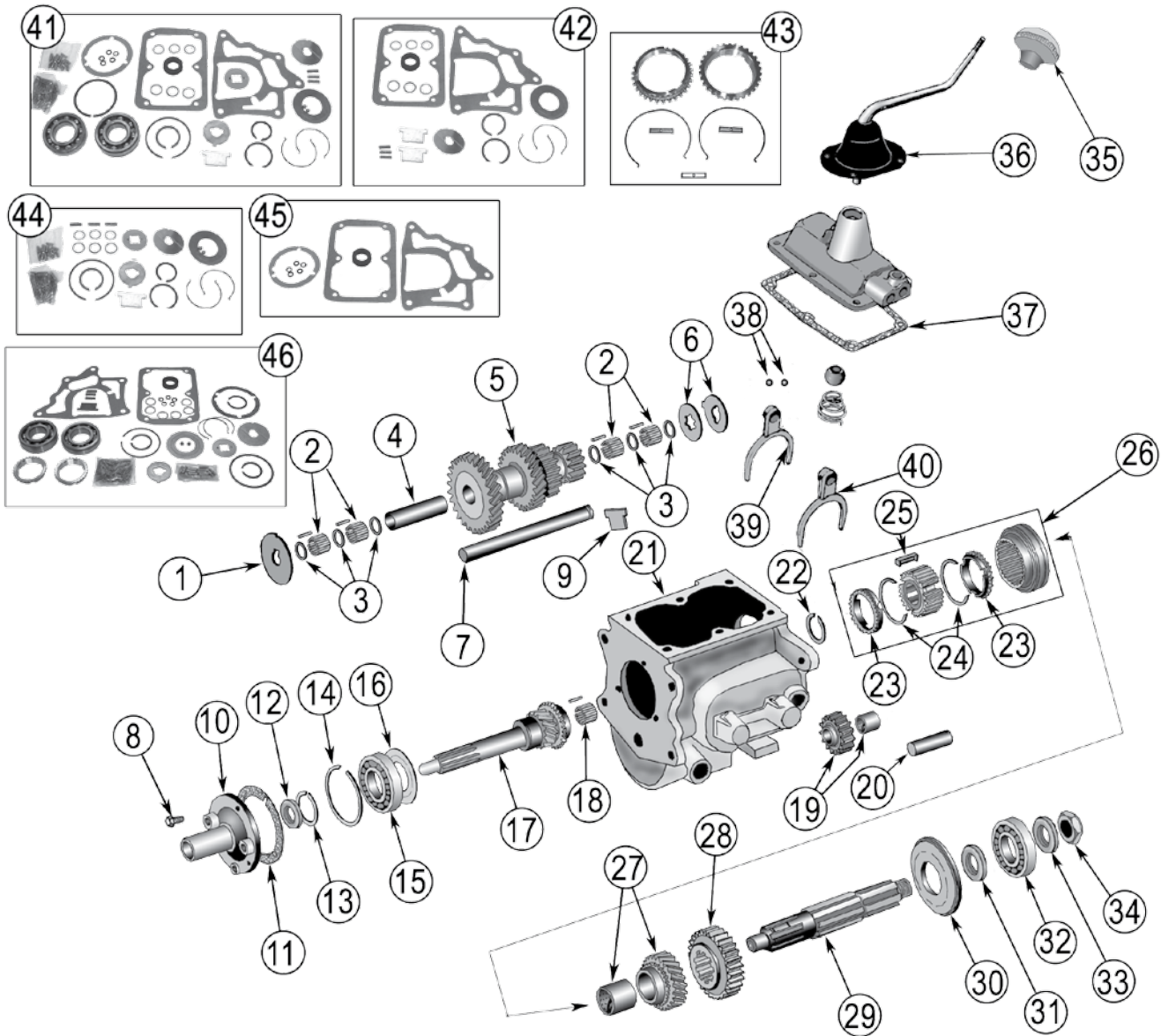
Item #	Description	Model	Comments	Replaces Part #
1	Snap Ring, 2nd and 3rd Gear Synchronizer	All	.089" Thick	J0932107
		All	.098" Thick	932111
2	Plate, Synchronizer	All	2nd and 3rd Gear; 3 Required	J0640395
3	Spring, Synchronizer	All	2nd and 3rd Gear; 2 Required	J0939293
4	Synchronizer Assembly, 2nd and 3rd Gear	All	All except C101 w/ 4-134 F-Head; w/o Blocking Rings	J0941655
5	Gear, 2nd	All	All except C101 w/ 4-134 F-Head	J0941656
6	Roller Bearing, Mainshaft Pilot	All	21 Required	J3208152

Item #	Description	Model	Comments	Replaces Part #
7	Retainer, Front Bearing	C101	w/ 4-134 F-Head Engine	J0640422 *
		All	Except C101 w/ 4-134 F-Head Engine	J0941665 *
8	Seal, Input	All	Except C101 w/ 4-134 F-Head Engine	83300041
		C101	w/ 4-134 F-Head Engine (Felt Seal)	J0645980
9	Snap Ring, Front Bearing Retainer	All	.086" Thick	640783
		All	.089" Thick	640784
		All	.092" Thick	640785
10	Snap Ring, Input Shaft Bearing	All		640782
11	Bearing, Input Shaft	All		J0640781
12	Washer, Front Bearing Retainer	CJ-5, 6, C101		J0640893
13	Gear, Input	CJ-5, 6, C101	w/ V6-225 Engine; 11-3/4" Long; S33-L18 Teeth	J0941666 *
		SJ, J-Series	10 23/32" Long; S33-L18 Teeth	J0941667
14	Ball, Poppet	All	5/16" Diameter	453593
		All	3/8" Diameter	J0639104
15	Fork, Shift, 1st and Reverse	CJ-5, 6		J0642767
		C101	w/ Tag #: AS1-T86-CC, AS19-T86-AA	J0642767
16	Gasket, Shift Cover	All	w/ Top Shift	J0642770
17	Spacer, Mainshaft Bearing	All		J8128880
18	Bearing, Mainshaft	All	Rear; w/o Snap Ring Groove	J8136619
		All	Rear; w/ Snap Ring Groove	J3184013
19	Washer, Mainshaft Nut	All		JA001410
20	Nut, Mainshaft	All		J8126806
21	Boot, Shift	All		J0907107
22	Knob, Shift	All		J0929393
23	Washer, Countershaft Thrust	All	Front	J0941662
24	Washer, Countershaft Needle Bearing	All	4 Required	J3112993
25	Roller Bearing, Countershaft	All	88 Required	J8132403
26	Countershaft	All		J0640412
27	Plate, Reverse Idler Shaft and Countershaft Lock	All		J0937458
28	Gear, Cluster	All	R33-25-19-L14 Teeth	J0944769
29	Spacer, Countershaft Needle Bearing	SJ, J-Series		J0802414
30	Washer, Countershaft Thrust	All	Rear; Steel w/ Tab	J0640411
		All	Rear; Bronze Backed w/o Lip	J0941061
31	Washer, Reverse Idler Gear Roller Bearing	CJ-5, 6, C101		J0944334
32	Gear, Reverse Idler	CJ-5, 6, C101		944332
33	Roller Bearing, Reverse Idler	CJ-5, 6, C101	22 Required	J0944333
34	Shaft, Reverse Idler Gear	All		J0944335 *
35	Small Parts Kit	All	Includes Roller Bearings, Snap Rings, Thrust Washers, and Input Seal	T86AA
36	Gasket and Seal Kit	All	Includes Input Seal, Cover Gasket, Input Bearing Retainer Gasket, Transmission to Transfer Case Gasket, and 3 Screw Seals	J0944817

\* Not Currently Available



## Borg-Warner 3-Speed Transmission

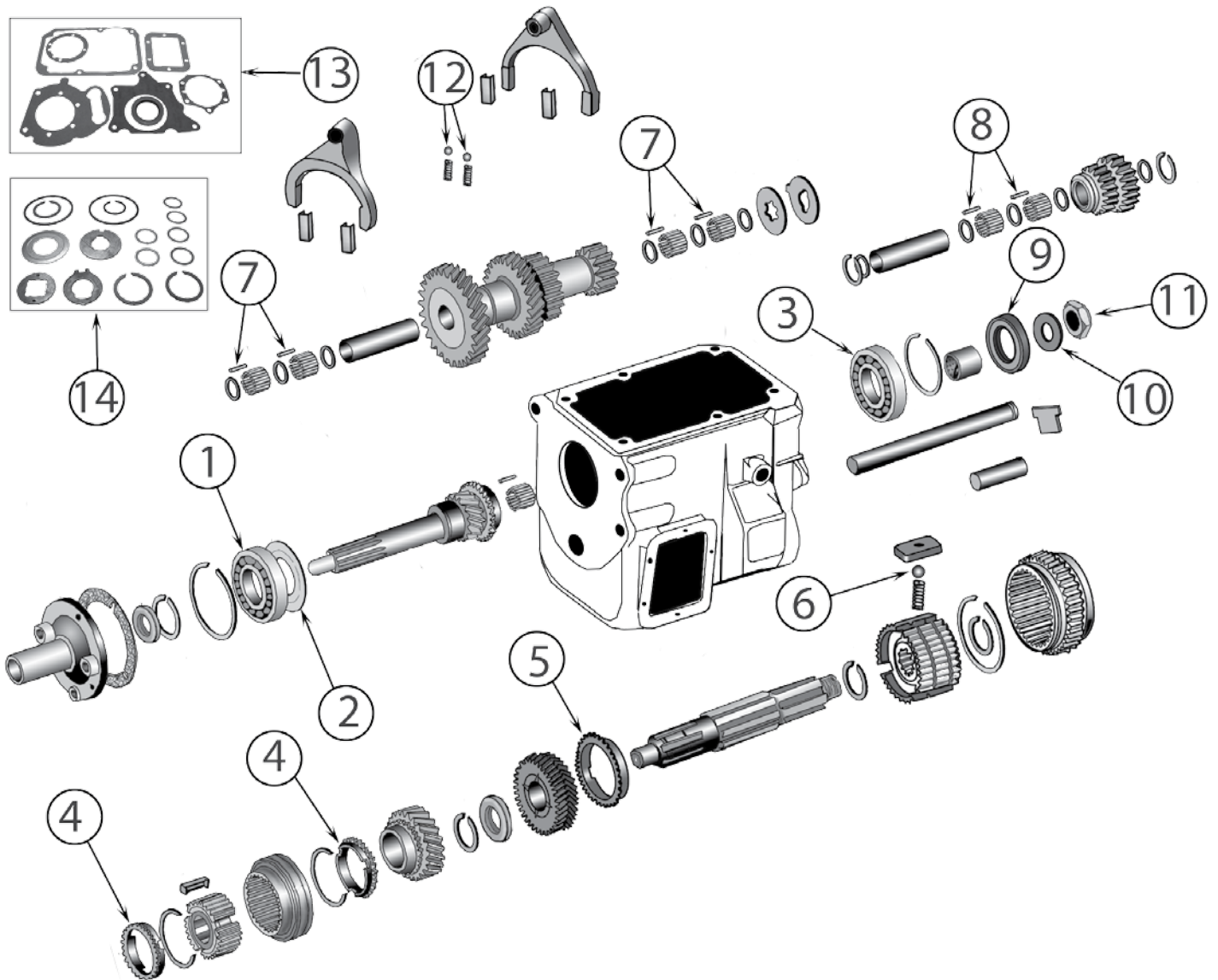


Item #	Description	Comments	Replaces Part #
1	Washer, Countershaft Thrust	Front	J0640409
2	Roller Bearing, Countershaft	88 Required	J8132403
3	Washer, Countershaft Roller Bearing	4 Required	J3112993
4	Spacer, Countershaft Roller Bearing		J0802414
5	Gear, Cluster	L33-26-S19-14 Teeth	J0906200
6	Washer, Countershaft Thrust	Rear; .0625" Thick; Steel w/ Tab Rear; Bronze Backed; w/o Lip Rear; Bronze Backed; w/ Lip	J0640411 J0941061 640410
7	Countershaft		J0640412
8	Bolt, Input Bearing Retainer		J3190386
9	Plate, Reverse Idler Shaft and Countershaft Lock	All Except SJ, J-Series	J0937854
10	Retainer, Front Bearing	Sedan Delivery, Station Wagon, Pickup, SJ, J-Series	J0906201
11	Gasket, Front Bearing Retainer		J0640426

Item #	Description	Comments	Replaces Part #
12	Seal, Front Bearing	Felt	J0645980
13	Snap Ring, Front Bearing Retainer, Outer	.086" Thick .089" Thick .092" Thick	640783 640784 640785
14	Snap Ring, Front Bearing Retainer, Inner		640782
15	Bearing, Input Shaft		J8136643
16	Washer, Front Bearing Retainer		J0640893
17	Gear, Input	9-1/16" Long; S30-R18 Teeth; CJ-2A, 3A, 3B, 5, 6, C101, Sedan Delivery, Station Wagon, Pickup 9-1/8" Long; S30-R16 Teeth; CJ-2A, 3A, 3B, 5, 6, C101, Sedan Delivery, Station Wagon 11-1/2" Long; S30-R18 Teeth; FC-170, Pickup, SJ, J-Series	J0640428 J0936448 * J0906203
18	Roller Bearing, Input Shaft	14 Required	J0640786
19	Gear, Reverse	Includes Bushing	640417
20	Shaft, Reverse Gear		J0640420 *
21	Case, Transmission		J0642754
22	Snap Ring, 2nd and 3rd Gear Synchronizer	.086" Thick .098" Thick	J0932107 932111
23	Blocking Ring, Synchronizer	2nd and 3rd Gear; All Except SJ, J-Series	J0640397
24	Spring, Synchronizer	2nd and 3rd Gear; 2 Required	J0939293
25	Plate, Synchronizer	2nd and 3rd Gear; 3 Required	J0640395
26	Synchronizer Assembly, 2nd and 3rd Gear	Includes Blocking Rings; All Except SJ, J-Series	J0640391
27	Gear, 2nd	Includes Bushing	J0906197
28	Gear, 1st and Reverse		J0906199
29	Mainshaft		J0640390
30	Adapter, Transmission Rear Bearing		644552
31	Spacer, Mainshaft Bearing		J8128880
32	Bearing, Mainshaft	Rear	J8136619
33	Washer, Mainshaft		JA001410
34	Nut, Mainshaft	Nylock	J8126806
35	Knob, Shift	Thread On Push On	J0929393 J0931356
36	Boot, Shift		J0907107
37	Gasket, Shift Cover		J0642770
38	Ball, Poppet	3/8" Diameter 5/16" Diameter	J0639104 453593
39	Fork, Shift, 2nd and 3rd	w/ Column Shift w/ Floor Shift	J0640374 642766 *
40	Fork, Shift, 1st and Reverse	w/ Column Shift w/ Floor Shift	J0640378 * J0642767
41	Transmission Installation Kit	Includes Bearings, Seals, Gaskets, and Small Parts Kit	T90BSG
42	Overhaul Kit	Includes Synchronizer Plates, Snap Rings, Thrust Washers, Input Seal, and Transmission to Transfer Case Gasket	J0805693
43	Synchronizer Repair Kit	Includes 2 Blocking Rings, 3 Keys and 2 Springs	640397K
44	Small Parts Kit	Includes Roller Bearings, Snap Rings, Thrust Washers, and Poppet Balls	J0922607
45	Gasket Set	Includes Front Bearing Retainer Gasket, Cover Gasket, Transmission to Transfer Case Gasket, and 3 Washer Gaskets	J0923301
46	Master Overhaul Kit	Includes Bearings, Seals, Gaskets, Blocking Rings, and Small Parts	T90MASKIT

\* Not Currently Available

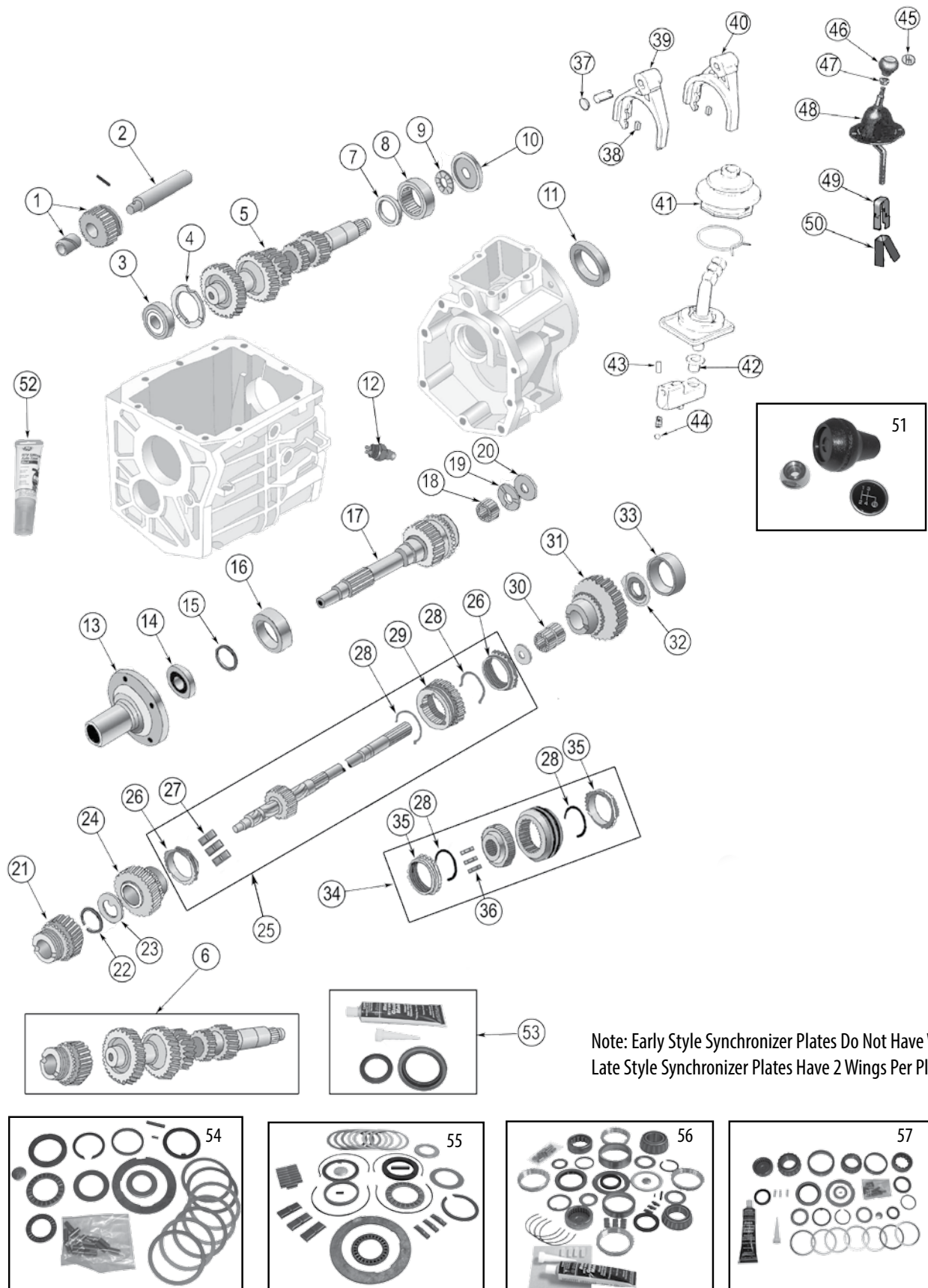
Borg-Warner 4-Speed Transmission



Item #	Description	Comments	Replaces Part #
1	Bearing, Input Shaft		J4488141
2	Washer, Front Bearing Retainer		J0640893
3	Bearing, Main Shaft	Rear	J8136623
4	Blocking Ring, Synchronizer	3rd and 4th; 2 Required	J0912324 *
5	Blocking Ring, Synchronizer	1st and 2nd; 1 Required	J0912340
6	Ball, Synchronizer	1st and 2nd; 3 Required	453593
7	Roller Bearing, Countershaft	88 Required	J0912345
8	Roller Bearing, Reverse Idler Shaft	77 Required	J0912354
9	Output Seal		J0939335
10	Washer, Main Shaft		JA001410
11	Nut, Main Shaft	Castellated Nylon Locknut	JA000520 * J8126806
12	Ball, Shift Rail	2 Required	453593
13	Gasket Set		J0923302
14	Small Parts Kit		T98

\* Not Currently Available

## Borg-Warner 4-Speed Transmission



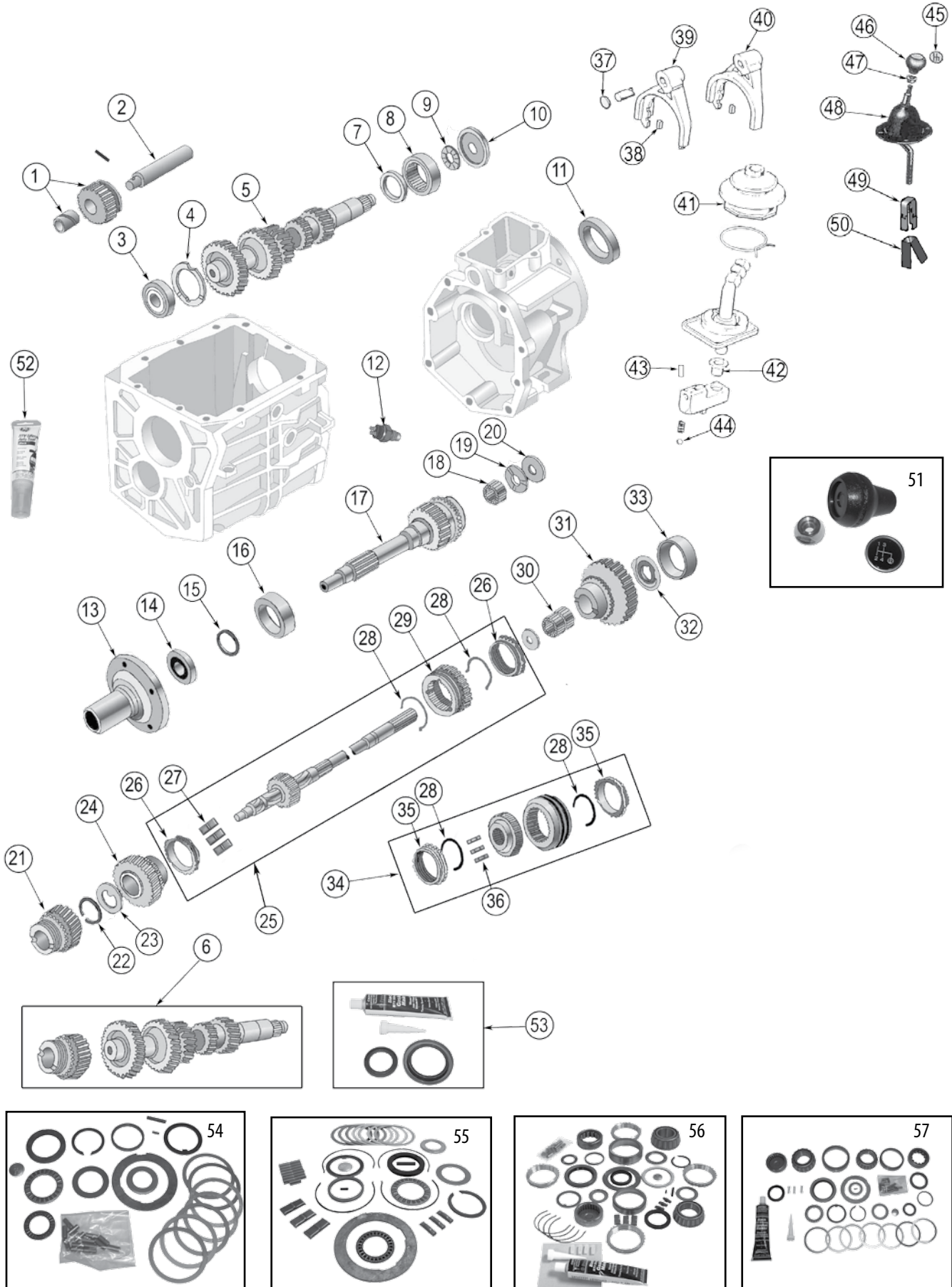
Note: Early Style Synchronizer Plates Do Not Have Wings  
Late Style Synchronizer Plates Have 2 Wings Per Plate

Item #	Description	Comments	Replaces Part #
1	Gear, Reverse Idler		J8134038
2	Shaft, Reverse Idler		J8134039 *
3	Bearing, Cluster Gear	Front	J8134033 *
4	Thrust Washer, Cluster Gear	Front	J8134032
5	Cluster Gear	37-34-23-15-14 Teeth 37-32-23-15-14 Teeth	J8134031 * 83500970
6	Cluster Gear Kit	Incl. 27T 3rd Gear and Cluster Gear	83500970K
7	Spacer, Cluster Gear Bearing		J8134035
8	Bearing, Cluster Gear	Rear	J8134036
9	Bearing, Cluster Gear	Needle Thrust Bearing	J8134034
10	Race, Cluster Gear Thrust		J8134037
11	Seal, Output		J8132672
12	Switch, Back Up Lamp		J8134068
13	Retainer, Bearing	Front	J8134013
14	Seal, Input		J8132779
15	Shim Set, Input Bearing		J8134016
16	Bearing, Input Shaft	Front	J8134015
17	Shaft, Input	10 Spline 14 Spline	83500975 83500968
18	Bearing, Input Shaft	Needle Bearing; 15 Required	J8127397
19	Bearing, Thrust		J8134018
20	Washer, Thrust Bearing		J8134170
21	Gear, 3rd	29 Teeth 27 Teeth	83500285 83500380
22	Snap Ring, Main Shaft		J8127424
23	Washer, Thrust		J8134025
24	Gear, 2nd		J8134024 *
25	Main Shaft Assembly	w/o Needle Roller 1st Gear w/ Needle Roller 1st Gear	83501166 83500963 *
26	Blocking Ring Set	1st and 2nd; Includes 2 Rings	J8127403
27	Plate, Synchronizer	2nd Gear; 3 Required	J8127401
28	Spring, Synchronizer	4 Required	J8134021

\* Not Currently Available

Continued on Next Page





# Model T4

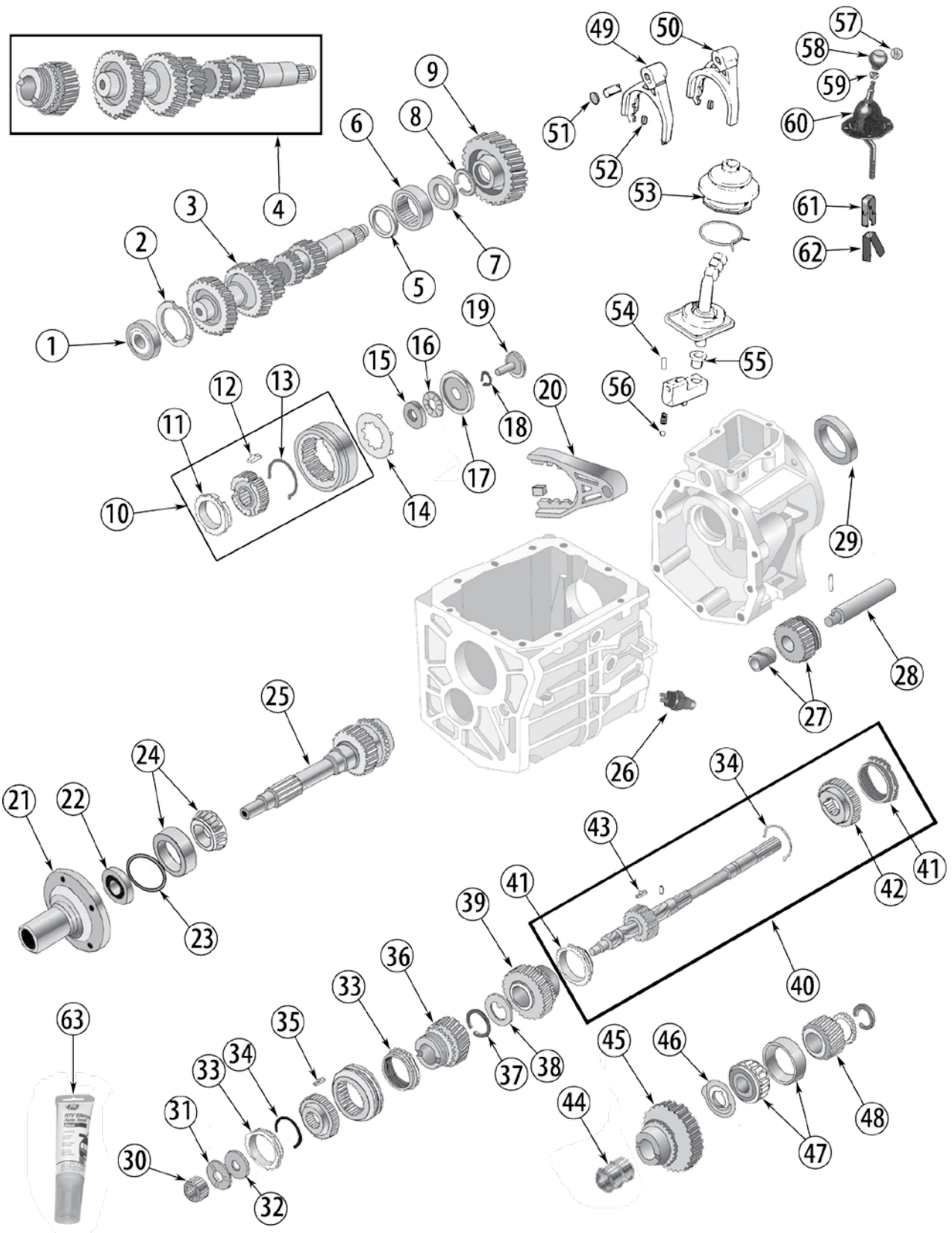
# Transmission

Item #	Description	Comments	Replaces Part #
29	Slider	1st and Reverse	1351070002
30	Needle Bearing, 1st Gear	84/86	83500969
31	Gear, 1st	Used w/o Needle Rollers Used w/ Needle Rollers	83501103 * 83500965 *
32	Washer, Thrust		83500964
33	Bearing, Output Shaft		J8134030
34	Synchronizer Assembly	3rd and 4th	83510192 *
35	Blocking Ring Set	3rd and 4th; Includes 2 Rings	J8134058
36	Plate, Synchronizer	3rd and 4th; Late Style <sup>1</sup> , 3 Required 3rd and 4th; Early Style <sup>1</sup> , 3 Required	83510193 J8127418
37	Plug, Shift Rail		J8127473
38	Insert, Shift Fork		J8133418
39	Fork, Shift	3rd and 4th	J8134048
40	Fork, Shift	1st and 2nd	J8134049 *
41	Boot, Shifter		J8134064
42	Sleeve, Shifter		83502930
43	Pin, Shift Lever		J8134040
44	Ball, Chrome		453593
45	Insert, Shift Knob		J3241067
46	Knob, Shift		J3241062
47	Nut, Shift Control		J4006495
48	Boot, Shifter		J5752010
49	Clip, Shift Lever		J3241239
50	Isolator, Shift Lever		J3241481
51	Shift Knob Kit		3241067K
52	RTV Silicone Sealant		J8993317
53	Gasket and Seal Kit	Includes Front and Rear Seals and RTV	T4T5GS
54	Small Parts Kit	Includes Bearings, Pins, Snap Rings, Shims, Plugs and Spacers	T450
55	Master Small Parts Kit	Includes #s 27, 28, 36, 54	T450MK
56	Master Overhaul Kit	Includes #s 26, 27, 28, 35, 36, 57	T4MASKIT
57	Master Bearing Kit	Includes Bearings, Seals, and Small Parts Kit	BKT4M

\* Not Currently Available

<sup>1</sup>Early Style Synchronizer Plates Do Not Have Wings  
Late Style Synchronizer Plates Have 2 Wings Per Plate

## Borg-Warner 5-Speed Transmission



\*\* Can Be Used to Replace Early 34 Tooth Cluster Gear

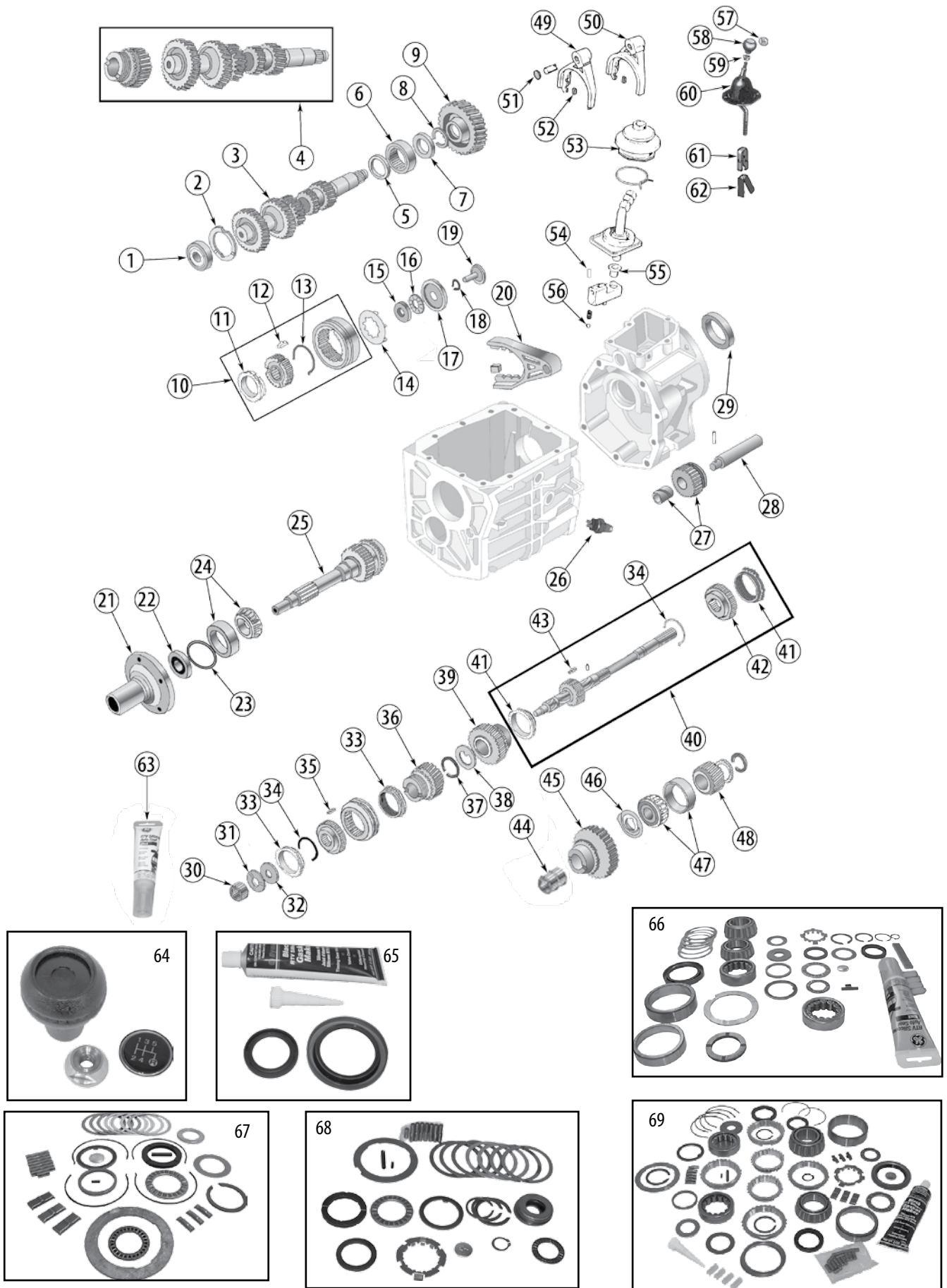
Early Style Synchronizer Plates Do Not Have Wings  
Late Style Synchronizer Plates Have 2 Wings Per Plate

Item #	Description	Comments	Replaces Part #
1	Bearing, Cluster	Front	J8134071
2	Thrust Washer, Cluster Gear	Front	J8134070
3	Cluster Gear	37-32-23-15-14-26 Teeth 37-34-23-15-14-26 Teeth	83500967 J8134069
4	Cluster Gear Kit	Includes 27T 3rd Gear and Cluster Gear	83500967K **
5	Spacer, Cluster Gear	Rear	J8134035
6	Bearing, Cluster	Rear	J8134036
7	Spacer, Cluster Gear		J8134072
8	Snap Ring, Cluster Gear		J8134073
9	Gear, 5th	53 Teeth 51 Teeth	J8134083 * J8134084 *
10	Synchronizer Assembly	5th Gear	J8134086
11	Blocking Ring Set	5th Gear; Includes 2 Rings	J8127415
12	Plate, Synchronizer	5th Gear; 3 Required	J8127418
13	Spring, Synchronizer	5th Gear; 2 Required	J8127419
14	Retainer, 5th Gear		J8134087
15	Washer, Thrust Bearing		J8134088
16	Bearing, Cluster Gear	Needle Thrust Bearing	J8134034
17	Race, Rear Cluster Gear Thrust Washer		J8134037
18	Snap Ring, Cluster Gear		J8134082
19	Funnel		J8134090 *
20	Fork, Shift	5th Gear	J8134085 *
21	Retainer, Front Bearing		J8134013
22	Seal, Input		J8132779
23	Shim Set, Input Bearing Retainer		J8134016
24	Bearing and Cup, Input Shaft	Front	J8134015
25	Shaft, Input	10 Splines 14 Splines	83500975 83500968
26	Switch, Back Up Lamp		J8134068
27	Gear, Reverse Idler		J8134038
28	Shaft, Reverse Idler		J8134039 *
29	Seal, Output		J8132672
30	Bearing, Input Shaft	15 Required	J8127397
31	Bearing, Thrust		J8134018
32	Washer, Thrust Bearing		J8134017
33	Blocking Ring Set	3rd and 4th; Includes 2 Rings	J8134058

\* Not Currently Available

Continued on Next Page



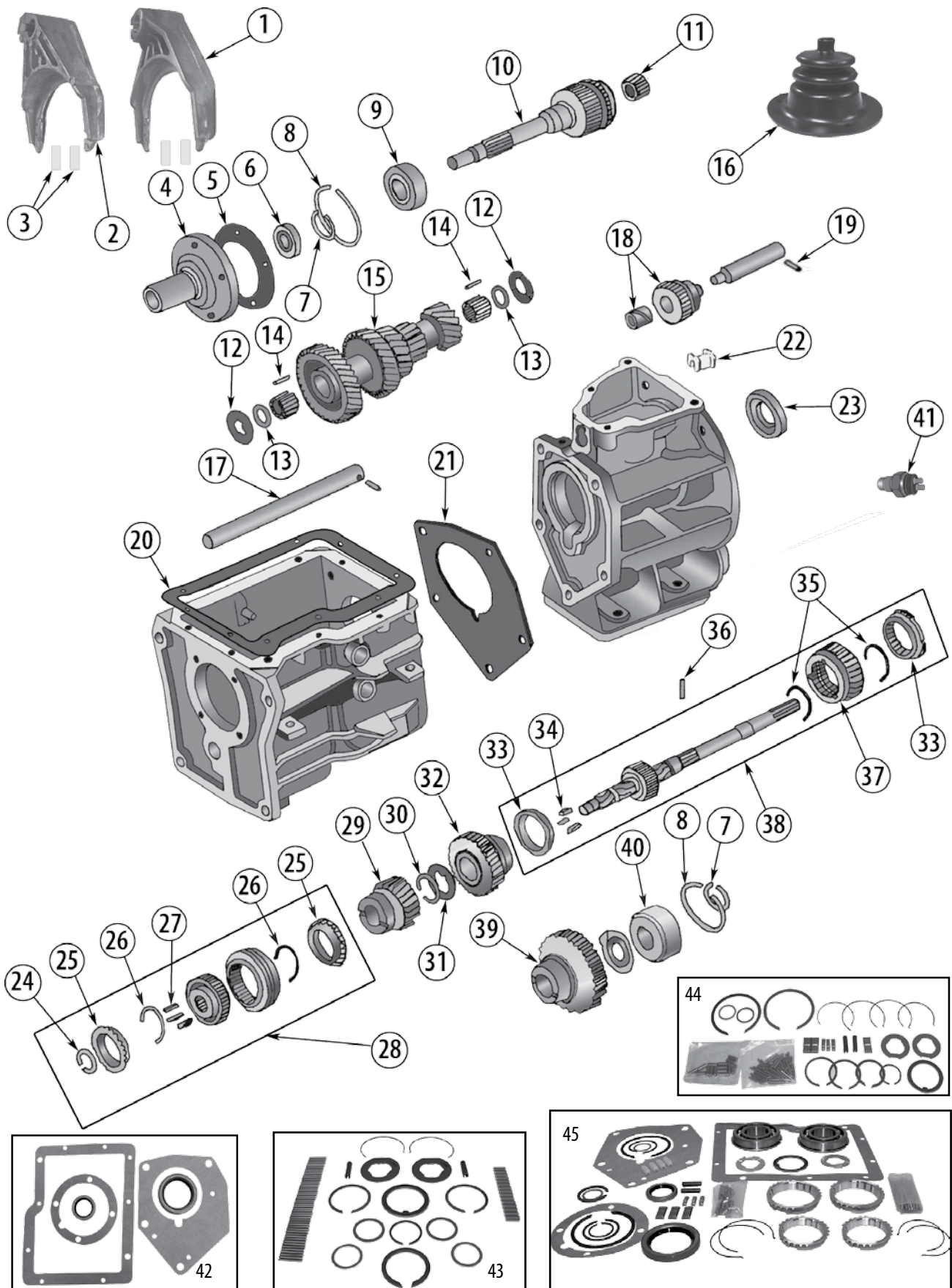


Item #	Description	Comments	Replaces Part #
34	Spring, Synchronizer	3rd and 4th; 2 Required	J8134021
35	Plate, Synchronizer	3rd and 4th; Early Style <sup>1</sup> , 3 Required 3rd and 4th; Late Style <sup>1</sup> , 3 Required	J8127418 83510193
36	Gear, 3rd	29 Teeth 27 Teeth	83500285 83500380
37	Snap Ring, Main Shaft		J8127424
38	Washer, Thrust		J8134025
39	Gear, 2nd		J8134024 *
40	Main Shaft Assembly	w/o Needle Bearing First Gear w/ Needle Bearing First Gear	83501166 83500963 *
41	Blocking Ring Set	1st and 2nd; Includes 2 Rings	J8127403
42	Slider	1st and Reverse	1351070002
43	Plate, Synchronizer	2nd Gear; 3 Required	J8127401
44	Needle Bearing, 1st Gear	84/86	83500969
45	Gear, 1st	w/o Needle Bearings w/ Needle Bearings	83501103 * 83500965 *
46	Washer, Thrust		83500964
47	Bearing and Cup, Output Shaft		J8134030
48	Gear, 5th	23 Teeth 25 Teeth	J8134080 * J8134081 *
49	Fork, Shift	3rd and 4th	J8134048
50	Fork, Shift	1st and 2nd	J8134049 *
51	Plug, Shift Rail		J8127473
52	Insert, Shift Fork		J8133418
53	Boot, Shifter		J8134064
54	Pin, Shift Lever		J8134040
55	Sleeve, Shifter		83502930
56	Ball, Chrome		453593
57	Insert, Shift Knob		J3241073
58	Knob, Shift		J3241062
59	Nut, Shift Control		J4006495
60	Boot, Shifter		J5752010
61	Clip, Shift Lever		J3241239
62	Isolator, Shift Lever		J3241481
63	RTV Silicone Sealant		J8993317
64	Kit, Shift Knob	Includes #s 57, 58, 59	3241073K
65	Gasket and Seal Kit	Includes Front and Rear Seals Plus RTV Silicone Gasket	T4T5GS
66	Master Bearing Kit	Includes #s 1, 6, 22, 24, 29, 47, 52, 63, 68	BKT5M
67	Master Small Parts Kit	Includes #s 13, 34, 35, 43, 68	T550MK
68	Small Parts Kit	Includes Bearings, Pins, Snap Rings, Shims, Plugs and Spacers	T550
69	Master Overhaul Kit	Includes #s 11, 13, 33, 34, 35, 41, 43, 66	T5MASKIT

\* Not Currently Available



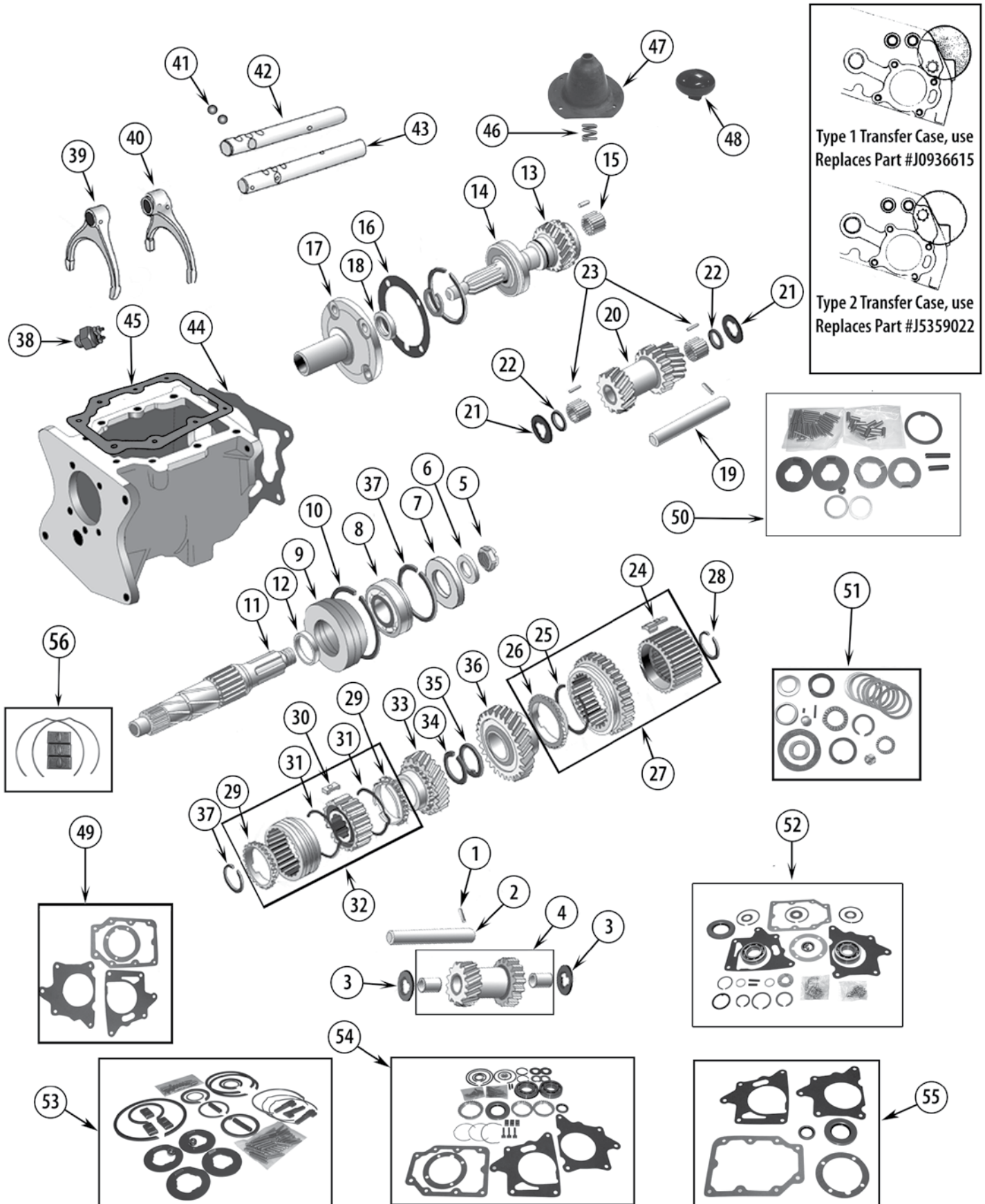
Borg-Warner 4-Speed Transmission



Item#	Description	Comments	Replaces Part #
1	Fork, 1st and 2nd Gear Shift		J8127483
2	Fork, 3rd and 4th Gear Shift		J8127481
3	Insert, Shift Fork		J8133418
4	Retainer, Front Bearing		J8127389 *
5	Gasket, Bearing Retainer		J8127392
6	Seal, Input		83300041
7	Snap Ring, Synchronizer Hub	3rd and 4th	J8124930
8	Snap Ring, Input and Output Bearing	Front or Rear	J8127395
9	Bearing, Input Shaft		83300000
10	Shaft, Input	20 Teeth 22 Teeth	J8132596 * J8132597
11	Roller Bearing, Input Shaft	15 Required	J8127397
12	Thrust Washer, Cluster Gear	Front or Rear	J8127432
13	Washer, Cluster Gear	Front or Rear	J8127429
14	Roller, Cluster Gear	50 Required	J8127430
15	Cluster Gear	37-31-24-15-15 Teeth 35-29-23-15-15 Teeth	J8132662 * J8127428 *
16	Boot, Shifter		J5752010
17	Countershaft		J8127433 *
18	Gear, Reverse Idler	Includes Bushing	J8134230
19	Roll Pin, Reverse Idler Shaft	1/4" x 1"	J8127434
20	Gasket, Shift Cover		J8127477
21	Gasket, Transmission to Adapter		J8127385
22	Bushing, Shifter		J8127490
23	Seal, Output		J8132672
24	Snap Ring, Synchronizer Hub	3rd and 4th	J8127420
25	Blocking Ring Set	3rd and 4th; Includes 2 Rings	J8127415
26	Spring, Synchronizer	3rd and 4th; 2 Required	J8127419
27	Plate, Synchronizer	3rd and 4th; 3 Required	J8127418
28	Synchronizer Assembly	3rd and 4th	J8127416 *
29	Gear, 3rd	25 Teeth 26 Teeth	J8132674 J8127421
30	Snap Ring, Main Shaft	Between 2nd and 3rd Gear	J8127424
31	Thrust Washer, Main Shaft	Between 2nd and 3rd Gear	J8134025
32	Gear, 2nd	31 Teeth 32 Teeth	J8132675 * J8127422
33	Blocking Ring Set	1st and 2nd; Includes 2 Rings	J8127403
34	Plate, Synchronizer	1st and 2nd; 3 Required	J8127401
35	Spring, Synchronizer	1st and 2nd; 2 Required	J8127400
36	Roll Pin, Main Shaft		J8127427
37	Slider, 1st and Reverse Gear		J8127406 *
38	Main Shaft Assembly		J8133855 *
39	Gear, 1st		J8127425
40	Bearing, Output Shaft		J8136622
41	Switch, Back Up Light		J8134068
42	Gasket and Seal Kit	Includes #s 5, 6, 20, 21, 23	SR4GS
43	Small Parts Kit	Includes #s 7, 8, 11, 12, 13, 14, 19, 24, 26, 30, 31	SR450
44	Small Parts Master Kit	Includes #s 27, 34, 35, 42	SR450MK
45	Master Overhaul Kit	Includes #s 3, 9, 25, 33, 40, 41, 43	SR4MASKIT

\* Not Currently Available

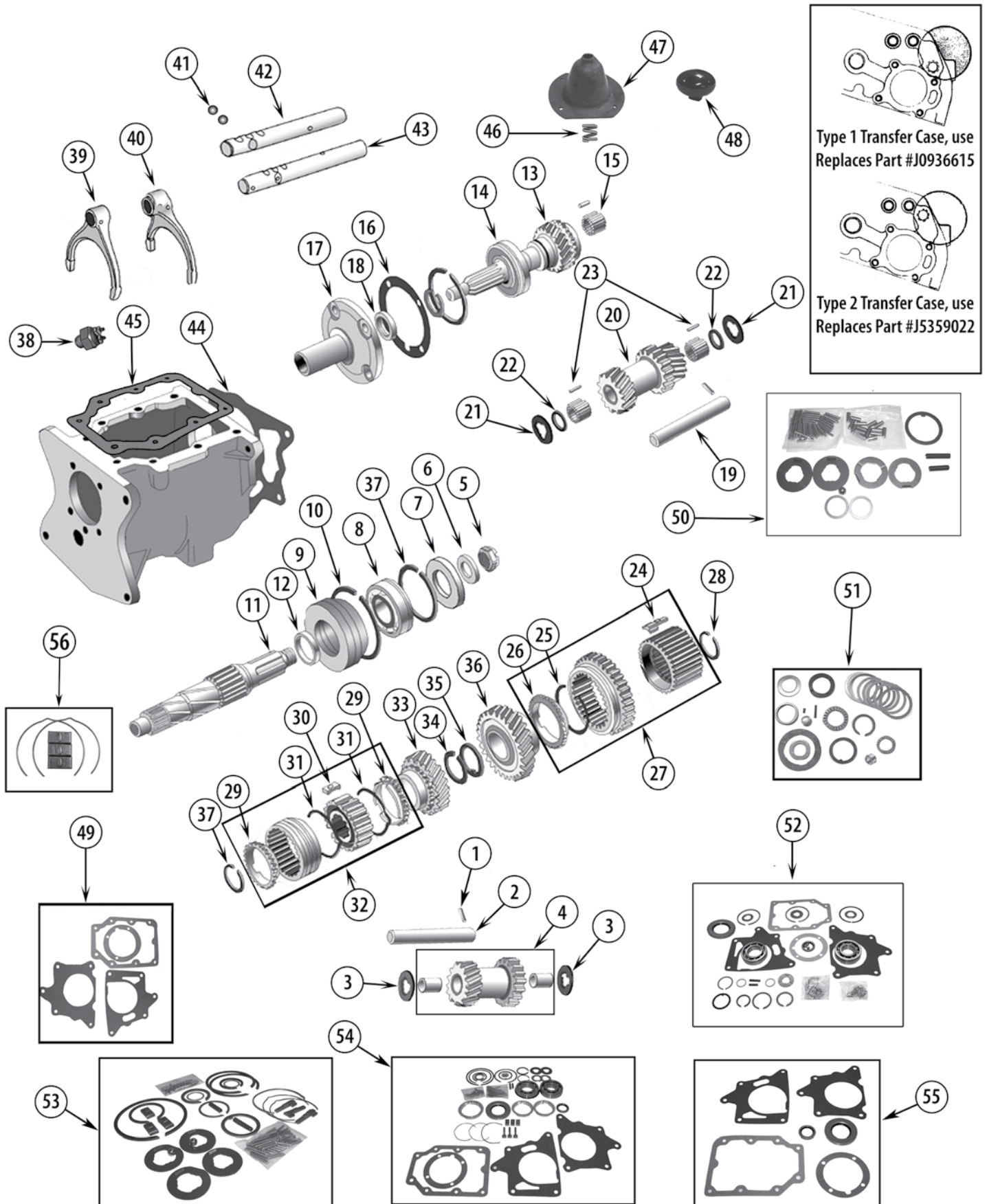
Tremec 3-Speed Transmission



Item #	Description	Comments	Replaces Part #
1	Pin, Reverse Idler Gear		J8124932
2	Shaft, Reverse Idler Gear		J8124912
3	Washer, Reverse Idler Gear	Front or Rear	J8124915
4	Gear, Reverse Idler	Includes Bushings	J8124913
5	Nut, Main Shaft		J8126806
6	Washer, Main Shaft		JA001410
7	Seal, Output		J5358980
8	Bearing, Main Shaft	Rear	J8136619
9	Adapter, Rear Bearing		J8129735
10	Snap Ring, Rear Bearing Adapter		J8126811
11	Main Shaft		J8126804
12	Spacer, Main Shaft		J8128880
13	Shaft, Input		J8126106
14	Bearing, Input Shaft		J8136643
15	Roller Bearing, Input Shaft	15 Required	J8127397
16	Gasket, Front Bearing Retainer		J8124853
17	Retainer, Front Bearing		J8124880
18	Seal, Input		83300041
19	Countershaft		J8136675
20	Cluster Gear		J8124907
21	Thrust Washer, Cluster Gear	Front or Rear	J8127432
22	Washer, Countershaft	Front or Rear	J8127429
23	Roller Bearing, Cluster Gear	50 Required	J8127430
24	Plate, Synchronizer	1st and Reverse; 3 Required	J8124904
25	Spring, Synchronizer	1st and Reverse; 1 Required	J8124905
26	Blocking Ring	1st and Reverse; 1 Required	83300046
27	Synchronizer Assembly	1st and Reverse	J8126234
28	Snap Ring, Main Shaft	Rear	J8124934
29	Blocking Ring Set	2nd and 3rd; Includes 2 Rings	J8124898
30	Plate, Synchronizer	2nd and 3rd; 3 Required	J8124895

Continued on Next Page





# Model T150

# Transmission

Item #	Description	Comments	Replaces Part #
31	Spring, Synchronizer	2nd and 3rd; 3 Required	J8124896
32	Synchronizer Assembly	2nd and 3rd	J8136631
33	Gear, 2nd	25 Teeth	J8124899
34	Snap Ring, Main Shaft	Between 1st and 2nd Gear	J8124935
35	Thrust Washer, Main Shaft	Between 1st and 2nd Gear	J8124936
36	Gear, 1st	32 Teeth	J8124902
37	Snap Ring, Main Shaft	Front	J8126813
38	Switch, Backup Light	Threaded Terminals	J5350061
39	Fork, Gear Shift	2nd and 3rd	J8126826
40	Fork, Gear Shift	1st and Reverse	J8126825
41	Ball, Shift		453593
42	Shift Rail	1st and Reverse	J8126823 *
43	Shift Rail	2nd and 3rd	J8126824 *
44	Gasket, Transmission to Transfer Case	w/ Type 1 Transfer Case w/ Type 2 Transfer Case	J0936615 J5359022
45	Gasket, Shift Cover		J8126814
46	Spring, Shift Lever		J8127059
47	Boot, Shifter		J0948185
48	Knob, Shifter		J0929393
49	Gasket Set	Includes #s 16, 44, 45	J8127215
50	Small Parts Kit	Includes #s 1, 3, 15, 21, 22, 23, 35, 41	J8124939
51	Small Parts Kit	Includes #s 1, 3, 10, 15, 21, 22, 23, 28, 34, 35, 37, 41	T150
52	Installation Kit	Includes #s 7, 8, 14, 18, 49, 50	T150-BSG
53	Small Parts Master Kit	Includes #s 24, 27, 31, 32, 51	T150-MK
54	Master Overhaul Kit	Includes #s 7, 8, 14, 18, 26, 29, 49, 53	T150-MASKIT
55	Gasket and Seal Kit	Includes #s 7, 8, 16, 18, 44, 45	T150-GS
56	Synchronizer Key and Spring Kit	Includes #s 30, 31	WT150K

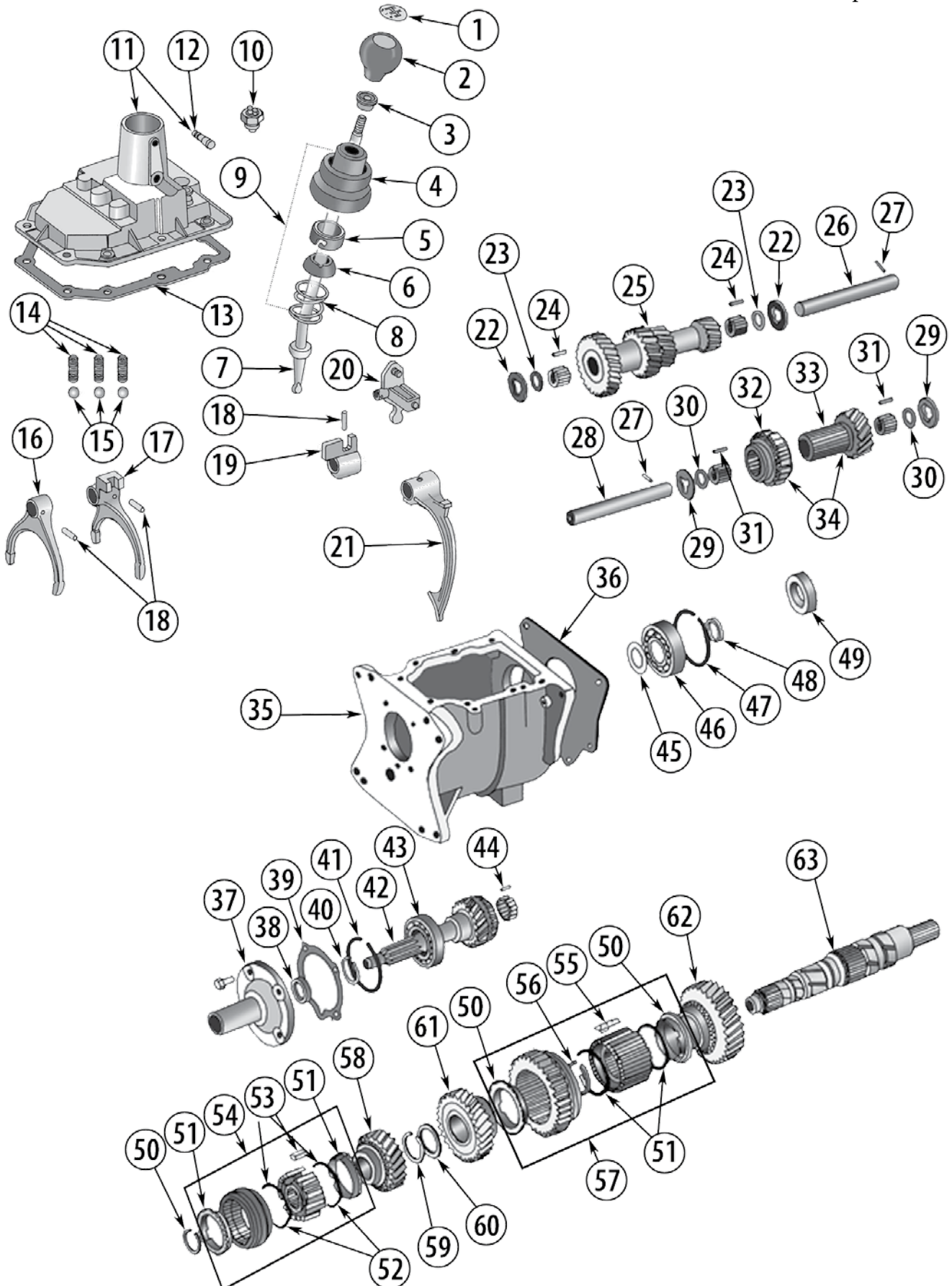
\* Not Currently Available



# Transmission

# Models T176 and T177

Tremec 4-Speed Transmission



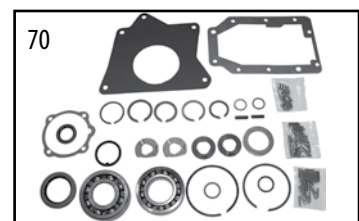
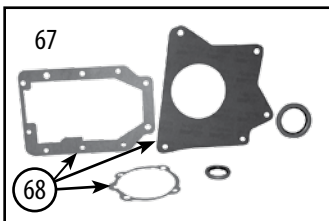
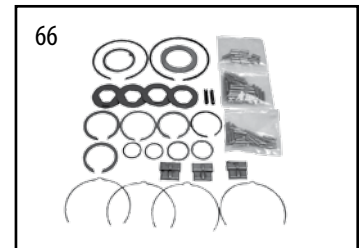
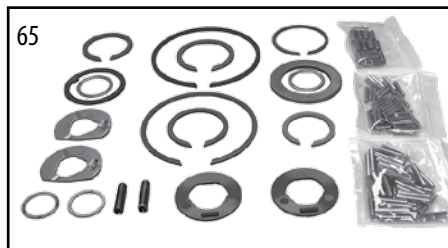
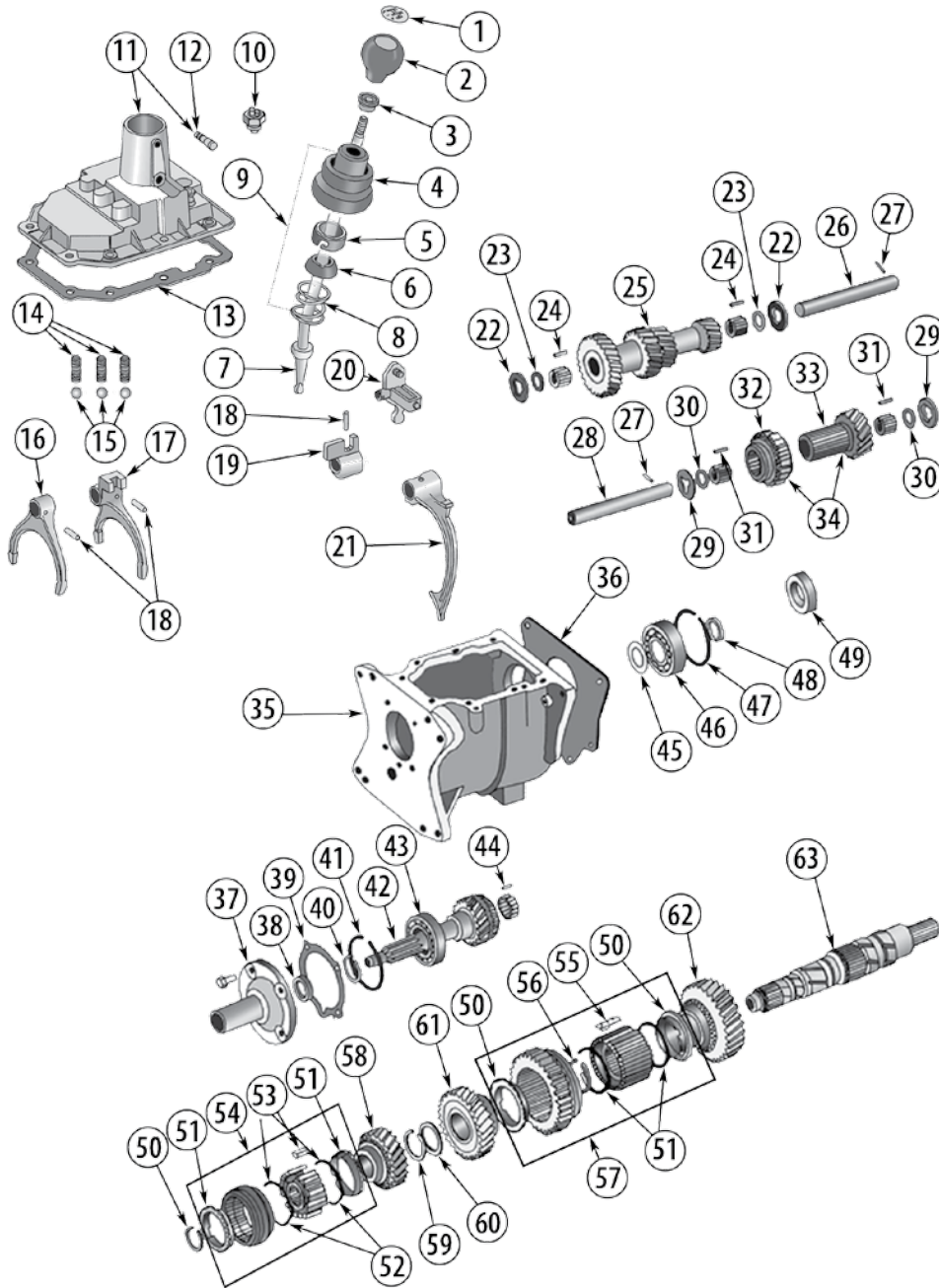
# Models T176 and T177

# Transmission

Item #	Description	Model	Comments	Replaces Part #
1	Insert, Shift Knob	T176, T177		J3241067
2	Knob, Shift	T176, T177		J3241062
3	Nut, Shift Control	T176, T177		J4006495
4	Boot, Shift Lever	T176, T177		J8132422
5	Cap, Shift Housing	T176, T177		J8134667
6	Retainer, Shift Housing Spring	T176, T177		J8132420
7	Lever, Shift	T176, T177	CJ-5,7,8 (LHD)	J5359835
8	Spring, Shift Lever	T176, T177		J8127059
9	Shift Lever Repair Kit	T176, T177	Includes #s 4, 5, 6, 8	SLR-176K
10	Switch, Back Up Lamp	T176, T177		J5751207
11	Cover, Shift	T176, T177	Includes 2 of #12	J8134292
12	Pin, Shift Lever	T176, T177	2 Required	J8132407
13	Gasket, Shift Cover	T176, T177		J8132428
14	Spring, Shift Interlock	T176, T177	3 Required	J8126828 *
15	Ball, Shift Interlock	T176, T177	3 Required	453593
16	Shift Fork	T176, T177	3rd and 4th	J8132412
17	Shift Fork	T176, T177	1st and 2nd	J8134429
18	Pin, Shift Fork Retaining	T176, T177		J8134040
19	Lug, Shift Fork	T176, T177	3rd and 4th	J8133794
20	Arm Assembly, Reverse Rocker	T176, T177		J8132815
21	Shift Fork	T176, T177	Reverse	J8132413
22	Thrust Washer, Cluster Gear	T176, T177	Front or Rear	J8132396
23	Washer, Cluster Gear	T176, T177	Front or Rear	J8132395
24	Roller Bearing, Cluster Gear	T176, T177	42 Required	J8132394
25	Cluster Gear	T176	33-26-24-15 Teeth	J8132391
		T177	34-27-25-15 Teeth	J8132393 *
26	Countershaft	T176, T177		J8132397
27	Roll Pin, Countershaft	T176, T177	1/4" x 1"	J8127434
28	Shaft, Reverse Idler	T176, T177		J8132398
29	Thrust Washer, Reverse Idler Shaft	T176, T177	Front or Rear	J8132405
30	Washer, Reverse Idler Shaft	T176, T177	Front or Rear	J8132404
31	Roller Bearing, Reverse Idler Gear	T176, T177	60 Required	J8132403
32	Gear, Reverse Sliding	T176, T177		J8132402
33	Gear, Reverse Idler	T176, T177		J8132399
34	Gear Set, Reverse Idler	T176, 177		2605131
35	Case, Transmission	T176, T177		J8132375
36	Gasket, Transmission to Adapter	T176, T177		J5359411
37	Retainer, Front Bearing	T176, T177	w/ Trans. 5359389, 5359390; 3-3/4" O/A	J8132372
38	Seal, Input	T176, T177		83300041

\* Not Currently Available

Continued on Next Page



# Models T176 and T177

# Transmission

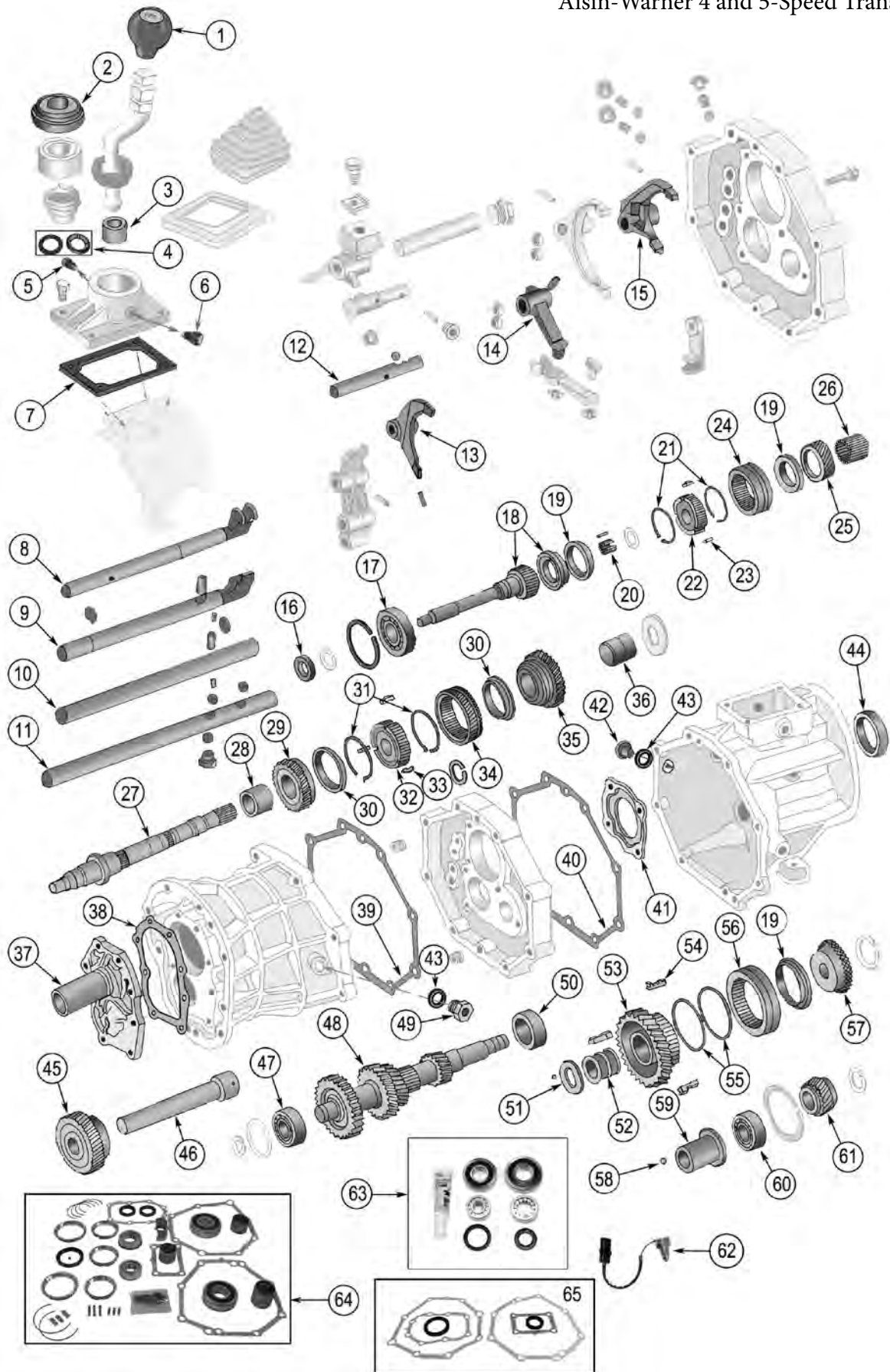
Item #	Description	Model	Comments	Replaces Part #
39	Gasket, Input Bearing Retainer	T176, T177		J8132423
40	Snap Ring, Input Shaft	T176, T177		J8132427
41	Snap Ring, Front Input Bearing	T176, T177		J8132425
42	Shaft, Input	T176 T177	20 Teeth 19 Teeth	J8132369 J8132401 *
43	Bearing, Input	T176, T177	Front	J8132426
44	Roller Bearing, Input Shaft Bearing	T176, T177	15 Required	J8127397
45	Thrust Washer, Rear Main Shaft	T176, T177	Rear	J8132390
46	Bearing, Main Shaft	T176, T177	Rear	J8136623
47	Snap Ring, Main Shaft Bearing	T176, T177	Rear	J8132430
48	Snap Ring, Main Shaft			J8124883
49	Seal, Output	T176, T177		J5359457
50	Snap Ring, Synchronizer Hub	T176, T177	3rd and 4th	J8124930
51	Synchronizer Repair Kit	T176, T177	Includes 1st, 2nd, 3rd and 4th Blocking Rings	J8132378
52	Spring, Synchronizer	T176, T177	1st and 2nd or 3rd and 4th; 4 Required	J8132377
53	Plate, Synchronizer	T176, T177	3rd and 4th; 3 Required	J8124895
54	Synchronizer Assembly	T176, T177	3rd and 4th	J8132376
55	Plate, Synchronizer	T176, T177	1st and 2nd; 3 Required	J8132387
56	Snap Ring, Main Shaft	T176, T177	Between 1st and 2nd Gear	J8132388
57	Synchronizer Assembly	T176, T177	1st and 2nd	83504096
58	Gear, 3rd	T176 T177 T176, T177	23 Teeth 22 Teeth 25 Teeth	J8132379 J8132429 J8132380
59	Snap Ring, Main Shaft	T176, T177	Between 2nd and 3rd Gear	J8132385
60	Thrust Washer, Main Shaft	T176, T177	Between 2nd and 3rd Gear	J8124936
61	Gear, 2nd	T176 T177 T176, T177	33 Teeth 32 Teeth 34 Teeth	J8132382 * J8132384 J8132383
62	Gear, 1st	T176, T177		J8132389
63	Main Shaft	T176, T177		J8132374
64	Shift Knob Kit	T176, T177	Includes #s 1, 2, 3	3241067K
65	Small Parts Kit	T176, T177	Includes #s 22, 23, 24, 27, 29, 30, 31, 39, 40, 43, 44, 46, 47, 49, 55, 58, 59	T17050
66	Small Parts Master Kit	T176, T177	Includes #s 51, 52, 54, 64	T17050MK
67	Gasket and Seal Kit	T176, T177	Includes #s 13, 35, 37, 38, 48	T170GS
68	Gasket Set	T176, T177		T17055
69	Master Overhaul Kit	T176, T177	Includes #s 42, 48, 50, 51, 52, 54, 64, 66	BKT170
70	Installation Kit	T176, T177	Includes #s 44, 45, 64, 66	T170BSG

\* Not Currently Available

# Transmission

# Models AX4 and AX5

Aisin-Warner 4 and 5-Speed Transmission





# Models AX4 and AX5

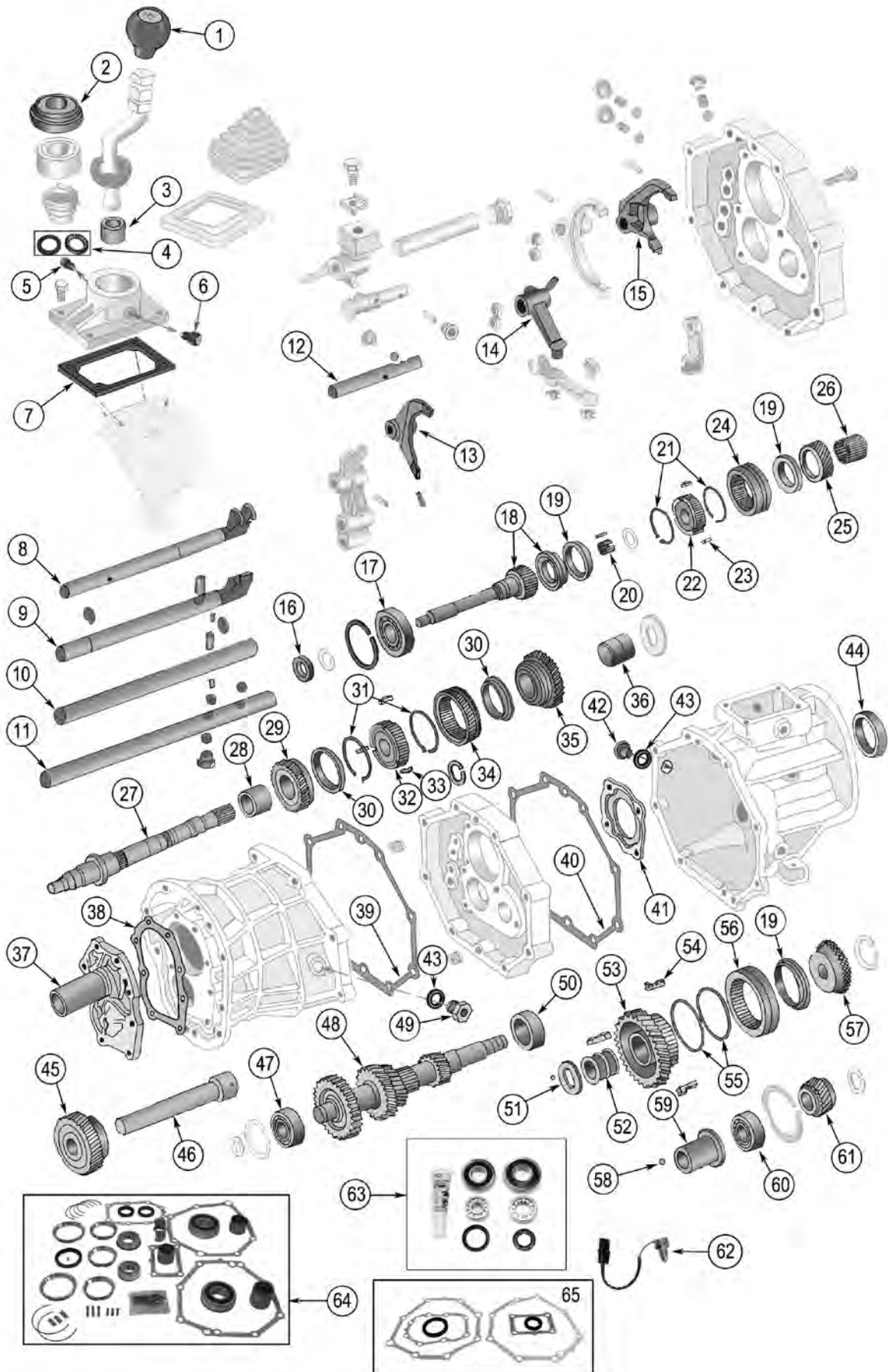
# Transmission

Item #	Description	Comments	Model	Replaces Part#
1	Knob, Shift		AX4	53000504
2	Boot, Gear Shift		AX4, AX5	83500520
3	Bushing, Shift Lever		AX4, AX5	83500519
4	Seal, Shift Retainer		AX4, AX5	4864220X
5	Pin, Reverse	Left	AX4, AX5	83500516
6	Pin, Reverse	Right	AX4, AX5	83500515
7	Gasket, Shift Retainer		AX4	83500521
8	Shaft, 3rd and 4th Gear Shift		AX4	83506048 *
			AX5	83506047
9	Shaft, 1st and 2nd Gear Shift		AX4, AX5	83506055
10	Shaft, Front Reverse Gear Shift		AX4	83506053
			AX5	83506052
11	Shaft, 5th Gear Shift		AX5	83500538
12	Shaft, Rear Reverse Gear Shift		AX4, AX5	83500536
13	Fork, 5th Gear Shift		AX5	83500637 *
14	Fork, Reverse Gear Shift		AX4, AX5	83500526
15	Fork, 1st and 2nd Gear Shift		AX4, AX5	83502662
16	Seal, Input		AX4, AX5	83500501
17	Bearing, Input Shaft	Front; 84/85	AX4, AX5	83500643
		Front; 1986	AX4, AX5	83502681
18	Shaft, Input	84/85	AX4, AX5	83500554 *
		1986	AX4, AX5	83502682
19	Blocking Ring, Synchronizer	2 Required; 3rd and 4th Gear	AX4	83500566
		3 Required; 3rd, 4th and 5th Gears	AX5	83500566
20	Needle Bearing, Input Shaft	13 Required	AX4, AX5	83502680
21	Spring, 3rd and 4th Gear Synchronizer	2 Required	AX4, AX5	83500568
22	Hub, 3rd and 4th Gear Synchronizer		AX4, AX5	83500562
23	Key, 3rd and 4th Gear Synchronizer	3 Required	AX4, AX5	83500565
24	Sleeve, 3rd and 4th Gear Synchronizer		AX4, AX5	83500563
25	Gear, 3rd		AX4, AX5	83500552 *
26	Bearing, 3rd Gear	Caged Roller Bearing	AX4, AX5	83500576
27	Main Shaft	LHD; 4WD	AX4, AX5	83503105
28	Bearing, 2nd Gear	Caged Roller Bearing	AX4, AX5	83500577
29	Gear, 2nd		AX4, AX5	83500551
30	Blocking Ring, 1st and 2nd Gear Synchronizer	2 Required	AX4, AX5	83500567
31	Spring, 1st and 2nd Gear Synchronizer	2 Required	AX4, AX5	83500569

\* Not Currently Available

Continued on Next Page





# Models AX4 and AX5

# Transmission

Item #	Description	Comments	Model	Replaces Part#
32	Hub, 1st and 2nd Gear Synchronizer		AX4, AX5	83500561
33	Key, 1st and 2nd Gear Synchronizer	3 Required	AX4, AX5	83500564
34	Gear, 1st and 2nd Reverse Sliding		AX4, AX5	83500555
35	Gear, 1st		AX4, AX5	83500550
36	Bearing, 1st Gear	Caged Roller Bearing	AX4, AX5	83500578
37	Retainer, Front Bearing		AX4, AX5	83503112
38	Gasket, Input Bearing Retainer		AX4, AX5	83500505
39	Gasket, Case	Intermediate Rear	AX4, AX5	83500507
40	Gasket, Case	Intermediate Front	AX4, AX5	83500506
41	Retainer, Rear Bearing			83506034 *
42	Plug Oil Filler		AX4, AX5	83500623
43	Gasket, Fill or Drain Plug		AX4, AX5	83500513
44	Seal, Output	4WD	AX4, AX5	83503108
45	Gear, Reverse Idler		AX4, AX5	83503555
46	Shaft, Reverse Idler		AX4, AX5	83500570
47	Bearing, Cluster Gear	Front	AX4, AX5	83506032
48	Cluster Gear		AX4, AX5	83500557
49	Plug, Drain		AX4, AX5	83500512
50	Bearing, Cluster Gear	Rear	AX4, AX5	83500580
51	Thrust Washer, Cluster Gear		AX4, AX5	83506025
52	Bearing, 5th Gear	Caged Roller Bearing	AX5	83500644
53	Gear, Counter 5th		AX5	83506022
54	Key, 5th Gear Synchronizer	3 Required	AX5	83500641
55	Spring, 5th Gear Synchronizer	2 Required	AX5	83500568
56	Synchronizer Sleeve, 5th Gear		AX5	83500642
57	Spacer, 5th Gear		AX5	83500639
58	Ball, Reverse		AX4, AX5	83500573
59	Race, 1st Gear		AX4, AX5	83500560
60	Bearing, Main Shaft	Rear	AX4, AX5	83500575
61	Gear, Main Shaft 5th		AX5	83500971
62	Switch, Back Up Lamp		AX4, AX5	83500629
63	Bearing and Seal Kit	Includes #s 16, 17, 44, 47, 50, 60 and RTV	AX5	BKAX5E
64	Master Overhaul Kit	Includes #s 19, 21, 23, 26, 28, 30, 31, 33, 36, 47, 52, 54, 58, 63	AX4, AX5	AX4EAX5EMASKIT
65	Gasket and Seal Kit	Includes #s 7, 16, 38, 39, 40, 44	AX4, AX5	AXGS

\* Not Currently Available



## **Dana 18** . . . . . 16-2

1941-1971 MB, CJ-2A, 3A, 3B, 5, 6, M38, M38-A1  
1956-1964 FC-150, FC-170  
1947-1965 Willys Pickup, Sedan Delivery, Station Wagon

## **Dana 20** . . . . . 16-6

1972-1979 CJ-5, 6, 7  
1966-1973 C101, C104 Commando  
1962-1979 SJ, J-Series

## **Quadra-Trac** . . . . . 16-8

1976-1979 CJ-7  
1973-1979 SJ, J-Series

## **Dana 300** . . . . . 16-10

1980-1986 CJ-5, 7, 8

## **NP219** . . . . . 16-12

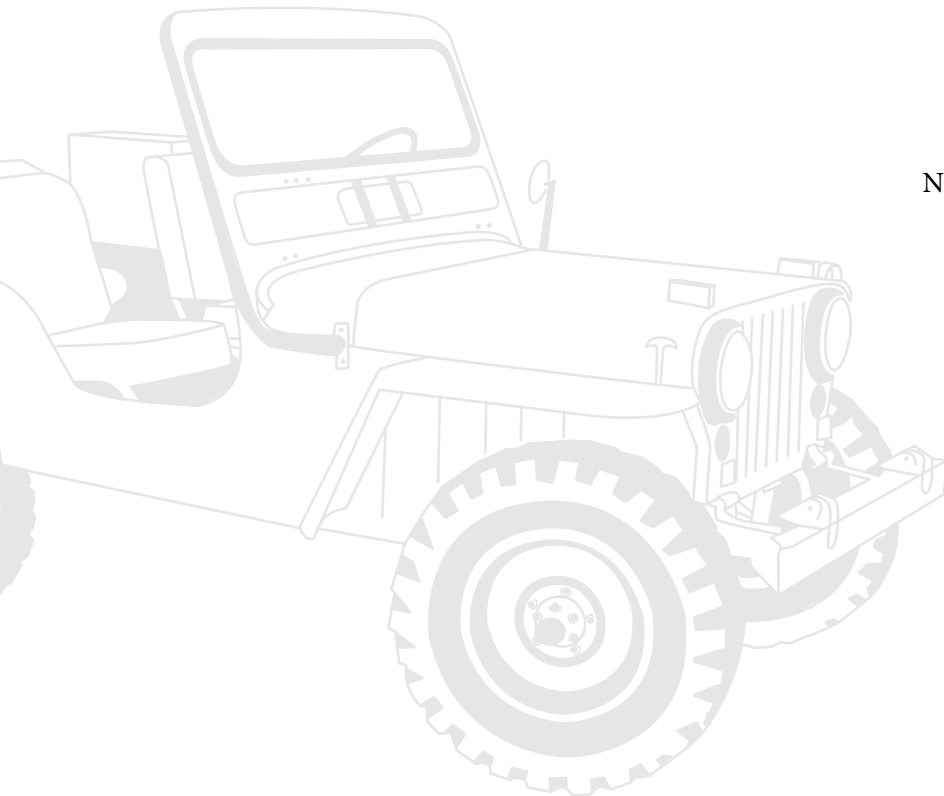
1980-1986 SJ, J-Series

## **NP208** . . . . . 16-14

1980-1988 SJ, J-Series

## **NP228/229** . . . . . 16-16

NP228: 1983-1985 SJ, J-Series  
NP229: 1982-1991 SJ



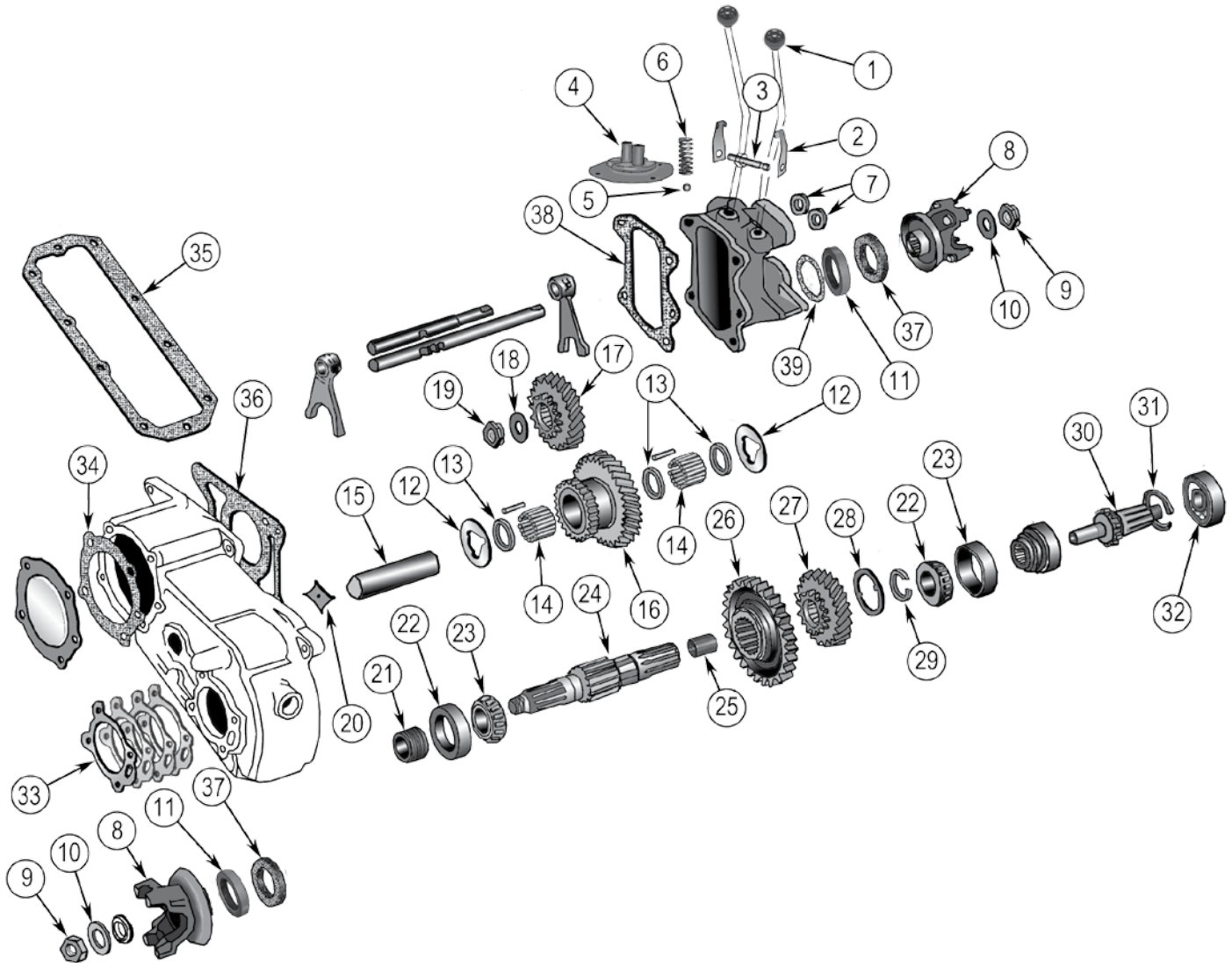
# Transfer Case

# Dana 18 Transfer Case

1941-1971 MB, CJ-2A, 3A, 3B, 5, 6, M38, M38-A1

1956-1964 FC-150, FC-170

1947-1965 Willys Pickup, Sedan Delivery, Station Wagon



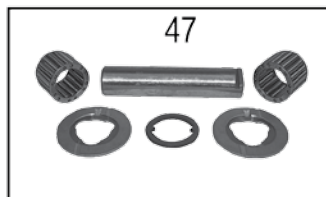
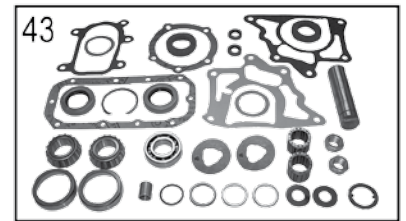
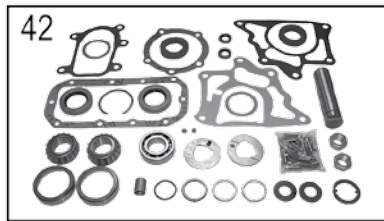
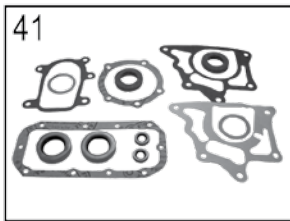
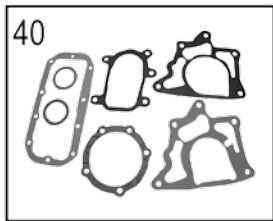
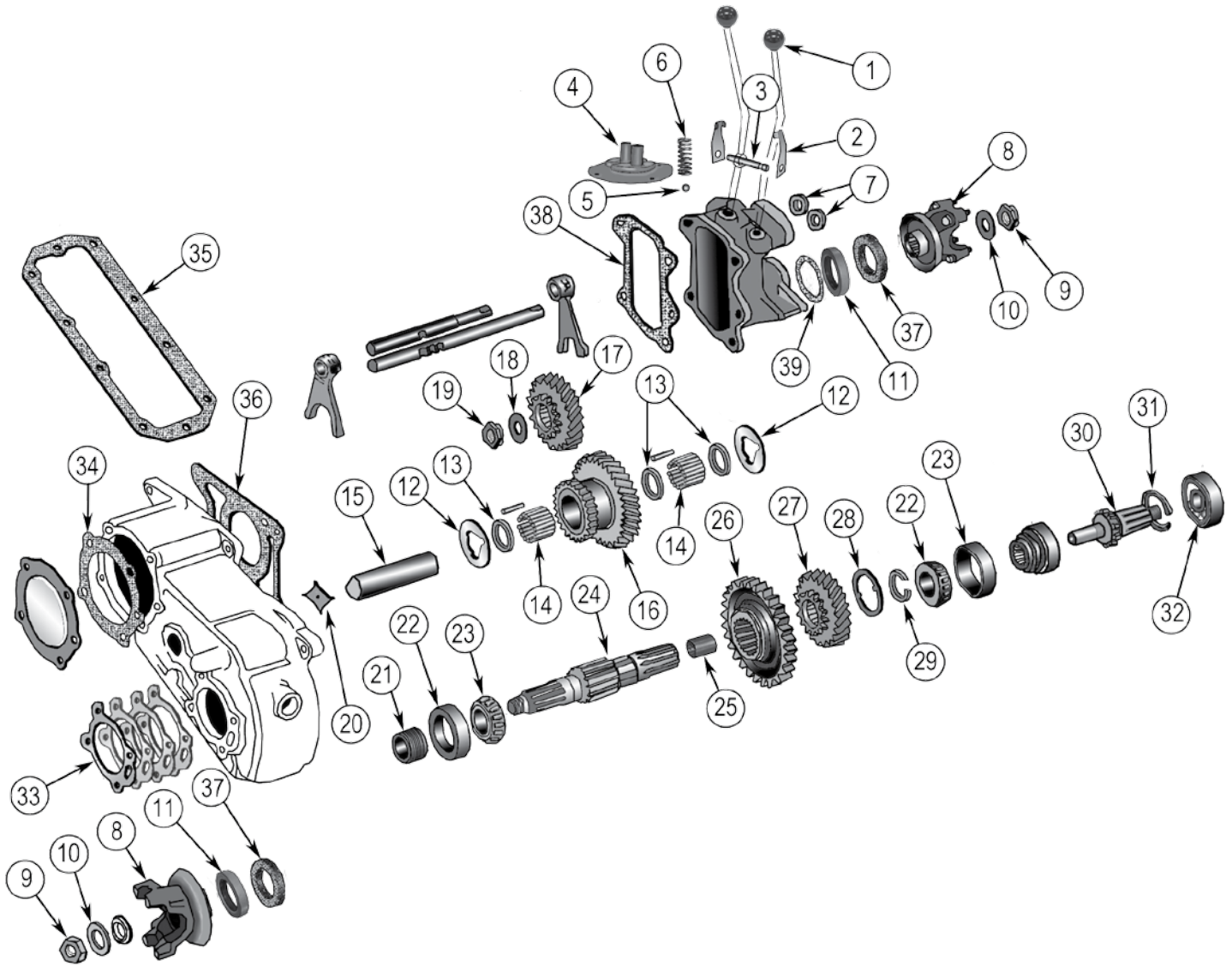
Item #	Description	Application	Comments	Replaces Part #
1	Knob, Gearshift	MB, CJ-2A, 3A, 3B, 5, 6, Pickup, Sedan Delivery, Station Wagon		J0914946
2	Spring, Shift Lever	MB, CJ-2A, 3A, 3B, 5, 6	Has a Hole for Shift Pin Has a Slot for Shift Pin	JA000970 J0801332
3	Pin, Shift Lever	All		JA000972
4	Boot, Shift Lever	CJ-2A, 3A, 3B, 5, 6, M38, M38-A1 CJ-5, 6 w/ 4-134 F-Head, V6-225 Engine	w/ Dual Shift Levers w/ Single Shift Lever	J0801058 986495
5	Poppet Ball, Shift Rod	All		453593
6	Poppet Spring, Shift Rod	All		J0939001
7	Seal, Shift Rod	All	2 Required	JA000974

Item #	Description	Application	Comments	Replaces Part #
8	Yoke, Output	CJ-2A, 3A, 3B, 5, 6 MB, CJ-2A, 3A, 3B, 5, 6, M38, M38-A1, FC-150, FC-170, Pickup, Station Wagon, Sedan Delivery FC-150, Pickup, Station Wagon, Sedan Delivery MB, CJ-2A, 3A, 3B, M38, M38-A1	Front; 10 Splines w/o Slinger	J5354060
			Front; 10 Splines w/ Slinger	A1106
			Front or Rear; 10 Splines w/o Slinger	J5354060
			Rear	116714
9	Nut, Output	All	Front or Rear, Deformed Thread Style	J0801367
			Front or Rear, Castellated Style	J8130364
10	Washer, Output	All	Front or Rear	J4004913
11	Seal, Output	All	Front or Rear; Open Style	J8123077
			Front or Rear; Closed Style	J0923896
12	Thrust Washer, Intermediate Shaft	MB CJ-2A, 3A, 3B, M38, M38-A1, Pickup, Sedan Delivery, Station Wagon CJ-3B, 5, 6, FC-150, Pickup, Sedan Delivery, Station Wagon	w/ 3/4" Intermediate Shaft; 2 Required	A1000
			w/ 1-1/8" Intermediate Shaft, 2 Required	J0642191
			w/ 1-1/4" Intermediate Shaft; 2 Required	J8121813
13	Spacer, Intermediate Shaft	CJ-3B, 5, 6, FC-150, Pickup, Sedan Delivery, Station Wagon	w/ 1-1/4" Intermediate Shaft; 2 Required	J0809295
14	Bearing, Intermediate Shaft	MB CJ-2A, 3A, 3B, M38, M38-A1, Pickup, Sedan Delivery, Station Wagon CJ-3B, 5, 6, FC-150, Pickup, Sedan Delivery, Station Wagon	2 Required (Caged)	A924
			w/ 1-1/8" Intermediate Shaft, 2 Required (Caged)	J0642190
			w/ 1-1/4" Intermediate Shaft; 48 Required (Roller)	J0809294
15	Shaft, Intermediate	MB CJ-2A, 3A, 3B, M38, M38-A1, Pickup, Sedan Delivery, Station Wagon CJ-3B, 5, 6, FC-150, Pickup, Sedan Delivery, Station Wagon	3/4" Diameter	A998
			1-1/8" Diameter	J0642188
			1-1/4" Diameter	J0942115
16	Gear, Intermediate	CJ-2A, 3A, 3B, M38, M38-A1, Pickup, Sedan Delivery, Station Wagon CJ-3B, 5, 6, FC-150, FC-170, Pickup, Sedan Delivery, Station Wagon	w/ 1-1/8" Intermediate Shaft; 34-21 Teeth	J0642189
			1-1/4" Intermediate Shaft; 39-18 Teeth	J0809293
17	Gear, Mainshaft	CJ-2A, 3A, M38, M38-A1 CJ-3B, 5, 6, FC-150, FC-170, Pickup, Sedan Delivery, Station Wagon CJ-5, 6 w/ V6-225 Engine w/ T14 Transmission	26 Teeth; 6 Splines; Stamped 18-3-31	A10469
			29/15 Teeth; 6 Splines	J0809297
			29 Teeth, 10 Splines; Stamped 18-8-50	J0947382
18	Washer, Mainshaft	All		JA001410
19	Nut, Mainshaft	All	Slotted	JA000520 *
20	Plate, Intermediate Shaft Lock	All		JA001001
21	Gear, Speedometer Drive	All Station Wagon, Sedan Delivery	4 teeth	A1511
			6 teeth	J0910086
22	Cup, Bearing, Output Shaft	All	Front or Rear Output Shaft; 2 Required	J0051577
23	Bearing, Output Shaft	All	Front or Rear Output Shaft; 2 Required	J0051575
24	Shaft, Rear Output	All		J0807767
25	Pilot Bushing, Front Output Shaft	All		JA000987
26	Gear, Sliding, Front Output Shaft	CJ-2A, 3A, 3B, M38, M38-A1, Pickup, Sedan Delivery, Station Wagon CJ-3B, 5, 6, FC-150, FC-170, Pickup, Sedan Delivery, Station Wagon	39 Teeth, 11 Splines; Stamped 18-8-17	A15045
			33 Teeth, 12 Splines; Stamped 18-8-11	809290

\* Not Currently Available

Continued on Next Page





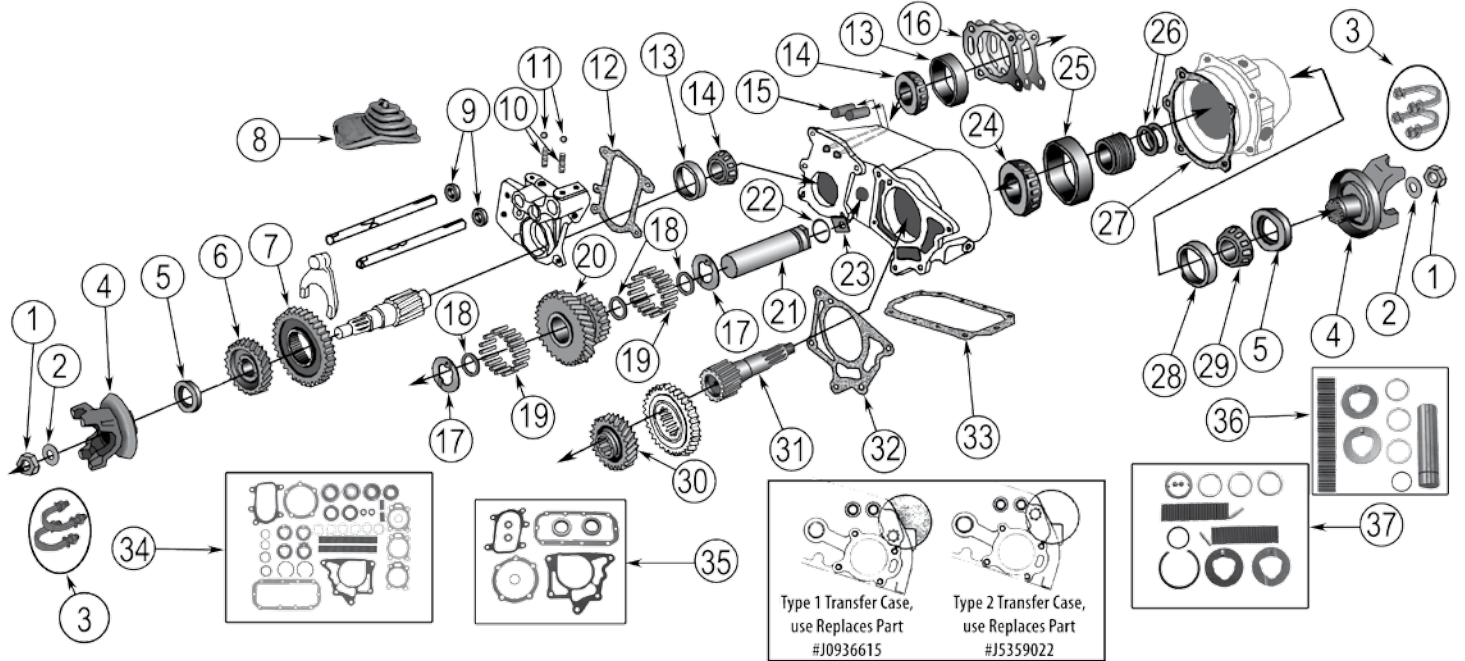
Item #	Description	Application	Comments	Replaces Part #
27	Gear, Front Output Shaft	CJ-2A, 3A, 3B, M38, M38-A1, Pickup, Sedan Delivery, Station Wagon CJ-3B, 5, 6, FC-150, Pickup, Sedan Delivery, Station Wagon	26/12 Teeth  29/12 Teeth, Stamped 18-8-24	A15044  J0809291
28	Thrust Washer, Front Output Gear	All		JA000990
29	Snap Ring, Front Output Gear	All		JA000991
30	Shaft, Front Output	All		807892*
31	Snap Ring, Front Output Shaft Bearing	All		A976
32	Bearing, Front Output Shaft	All		JA001007
33	Front Output Shaft Shim Set	All		JA006753
34	Gasket, PTO Cover	All		JA001509
35	Gasket, Inspection Cover	All		JA000954
36	Gasket, Transmission to Transfer Case	All w/ 4-134 L or F-Head Engine 66/71 CJ-5, 6 w/ V6-225 Engine w/ 3-Speed Transmission 54/64 Pickup, Sedan Delivery, Station Wagon w/ 6-226, 6-230 Engines 66/71 CJ-5, 6 w/ V6-225 Engine w/ 4-Speed Transmission		J0936612 J0937974 J0937974  J0936615
37	Felt Seal, Output	All	Front or Rear Output; 2 Required	J0932295
38	Gasket, Front Output Housing	All		JA000957
39	Gasket, Output	All	Front or Rear Output; 2 Required	JA001134
40	Gasket Set	All	Includes #s 36, 37, 38, 39, 40	A7443
41	Gasket and Seal Set	All	Includes #s 7, 11, 36, 37, 38, 39, 40	J0923300
42	Master Installation Kit	All w/ 1-1/4" Intermediate Shaft	Includes #s 6, 9, 10, 15, 22, 23, 25, 32, 34, 42, 46	D18L-MASKIT
43	Master Installation Kit	All w/ 1-1/8" Intermediate Shaft	Includes #s 6, 9, 10, 15, 22, 23, 25, 32, 34, 42, 46	D18E-MASKIT
44	Rear Mount Kit	All	Includes 2 Mounts, 1 Bolt, 1 Washer, and 1Nut	926671K
45	Seal Kit, Output Shaft	All	Front and Rear; Includes 2 Output Seals and 2 Felt Seals	J0120751
46	Oil Seal Kit	All	Includes Front and Rear Output Seals and Shift Rod Seals	A7445
47	Intermediate Shaft Kit	All w/ 3/4" Intermediate Shaft  All w/ 1-1/8" Intermediate Shaft  All w/ 1-1/4" Intermediate Shaft	Includes Intermediate Shaft, Bearings, and Thrust Washers  Includes Intermediate Shaft, Bearings, and Thrust Washers  Includes Intermediate Shaft, Roller Bearings, Thrust Washers, and Spacers	A998X  642188K  942115K
48	Small Parts Kit	All w/ 1-1/8" Intermediate Shaft All w/ 1-1/4" Intermediate Shaft	Includes #s 12, 14, 28, 29, 31 Includes #s 5, 12, 13, 14, 28, 29, 31	922717 J0935758

\* Not Currently Available

# Transfer Case

# Dana 20 Transfer Case

1972-1979 CJ-5, 6, 7  
 1966-1973 C101, C104 Commando  
 1962-1979 SJ, J-Series



Item #	Description	Application	Comments	Replaces Part #
1	Nut, Output	All	Front or Rear	J0801367
2	Washer, Output	All	Front or Rear	J4004913
3	U-Bolt Kit	CJ-5, 6, 7, 8, SJ, J-Series	w/ U-Bolt Yoke	A490K
4	Yoke, Output	All	Front; 10 Splines w/ Slinger	A1106
		All	Front or Rear; 10 Splines w/o Slinger	J5354060
		All	Front or Rear; 26 Splines (U-Bolt Design)	J0935685
5	Seal, Output	All	Front or Rear; Open Style	J8123077
		All	Front or Rear; Closed Style	J0923896
6	Gear, Front Output Shaft	CJ-5, 6, 7, C101, C104	Stamped 18-8-44, 26 Teeth	J0946784
		SJ, J-Series w/ Gear Stamped 18-8-44	Stamped 18-8-44, 26 Teeth	J0946784
		SJ, J-Series w/ Gear Stamped 18-8-18	Stamped 18-8-18; 26 Teeth	A15044
7	Gear, Front Output Shaft Sliding	All	Stamped 18-8-28, 31 Teeth	J0933735 *
8	Boot, Shifter	72/75 CJ-5, 6 w/ Single Shift Lever		986495
		76/79 CJ-5, 7 w/ Single Shift Lever		J5353263
9	Seal, Shift Rod	All	2 Required	JA000974
10	Poppet Spring, Shift Rod	CJ-5, 6, 7, C101, C104	2 Required	J0939001
		65/79 SJ, J-Series	2 Required	J0939001
11	Poppet Ball, Shift Rod	All	2 Required	453593
12	Gasket, Front Output Housing	All		JA000957
13	Cup, Front Output Shaft Bearing	All	Inner or Outer; 2 Required	J0051577
14	Bearing, Front Output Shaft	All	Inner or Outer; 2 Required	J0942113
15	Cap, Shift Rod	All	2 Required	J0934281
16	Shim Set, Front Output Shaft	All		JA006753

\* Not Currently Available

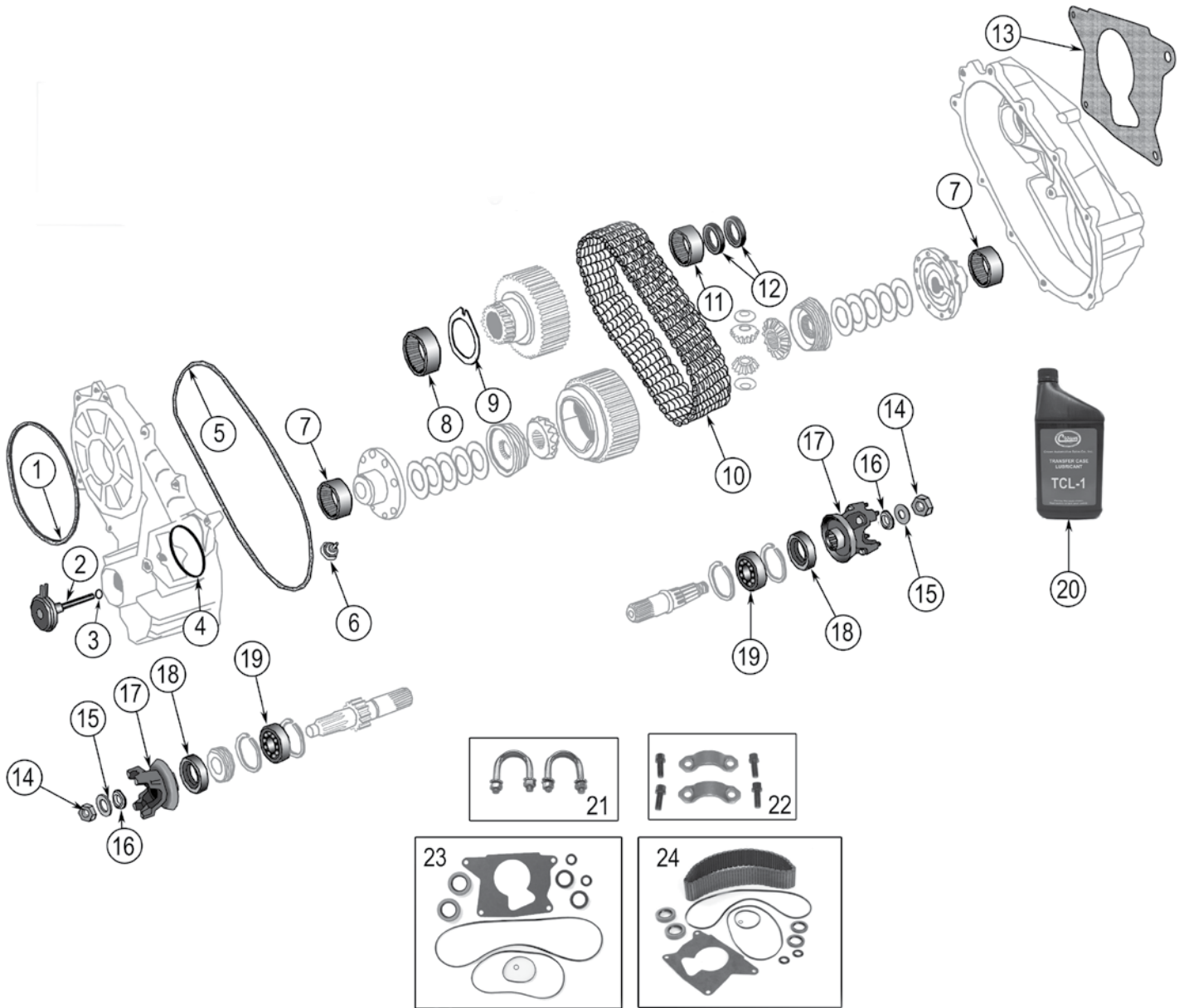
Item #	Description	Application	Comments	Replaces Part #
17	Thrust Washer, Intermediate Shaft	All	2 Required	J8121813
18	Spacer, Intermediate Shaft	All	3 Required	J0809295
19	Roller Bearing, Intermediate Shaft	All	48 Required	J0809294
20	Gear, Intermediate	CJ-5, 6, 7 C101, C104, SJ, J-Series w/ Gear Stamped 18-5-16	Stamped 18-5-16, 34-20 teeth Stamped 18-5-16, 34-20 teeth	J0946786 J0946786
21	Shaft, Intermediate	All	1-1/4" Diameter	J0942115
22	O-Ring, Intermediate Shaft	All		J0942114
23	Plate, Intermediate Shaft Lock	All		JA001001
24	Bearing, Rear Output Shaft	All	Inner	J0052799
25	Cup, Rear Output Shaft Bearing	All	Inner	J0052800
26	Shim Set, Rear Output Shaft	All		J0933743
27	Gasket, Rear Output Housing	All		JA007361
28	Cup, Rear Output Shaft	All	Outer	J3124570
29	Bearing, Rear Output Shaft	All	Outer	J0933737
30	Gear, Mainshaft	72/75 CJ-5, 6 w/ T14 Transmission 72/75 CJ-5, 6 w/ T15, T18 Transmissions 76/79 CJ-5, 7 w/ Gear Stamped 18-8-46 76/79 CJ-5, 7 w/ Gear Stamped 18-8-55 66/73 C101, C104 w/ T14 Transmission 66/73 C101, C104 w/ T15, T18 Transmissions 66/73 C101, C104 w/ Automatic Transmission 62/78 SJ, J-Series w/ Gear Stamped 18-8-49 62/78 SJ, J-Series w/ Gear Stamped 18-8-46 62/78 SJ, J-Series w/ Gear Stamped 18-8-43 79 SJ, J-Series	Stamped 18-8-49; 26 Teeth; 10 Splines Stamped 18-8-46; 26 Teeth; 6 Splines Stamped 18-8-46; 26 Teeth; 6 Splines Stamped 18-8-55; 26 Teeth; 6 Splines Stamped 18-8-49; 26 Teeth; 10 Splines Stamped 18-8-46; 26 Teeth; 6 Splines Stamped 18-8-43; 26 Teeth; 15 Splines Stamped 18-8-49; 26 Teeth; 10 Splines Stamped 18-8-46; 26 Teeth; 6 Splines Stamped 18-8-43; 26 Teeth; 15 Splines Stamped 18-8-46; 26 Teeth; 6 Splines Stamped 18-8-43; 26 Teeth; 15 Splines Stamped 18-8-46; 26 Teeth; 6 Splines	J0947339 J0946574* J0946574* J5354506 J0947339 J0946574* J0946785 J0947339 J0946574* J0946785 J0946574*
31	Shaft, Rear Output	All	15 Teeth; 26 Splines	J8130293*
32	Gasket, Transmission to Transfer Case	72/75 CJ-5, 6 76/77 CJ-5, 7 1978 CJ-5, 7 1978 CJ-5, 7 1979 CJ-5, 7 74/79 CJ-5, 6, 7 63/75 SJ, J-Series 66/79 SJ, J-Series 74/75 SJ, J-Series 66/71 C101 Commando 72/73 C104 Commando	w/ T15 Transmission w/ T150 Transmission w/ T150 Transmission w/ Type 1 Transfer Case w/ T150 Transmission w/ Type 2 Transfer Case w/ T150 Transmission w/ T18 Transmission w/ T14, T15, T85, T86, T90 Transmissions w/ T18 Transmission w/ TH400 Transmission	J0937974 J0936615 J0936615 J5359022 J5359022 J0936615 J0937974 J0936615 J0937974 J0937974 J0937974
33	Gasket, Access Cover	All		JA000954
34	Master Overhaul Kit	All	Includes #s 11, 12, 13, 14, 19, 22, 23, 24, 25, 26, 33, 35	D20-MASKIT
35	Gasket and Seal Kit			J8130995
36	Intermediate Shaft Kit	All	Includes Intermediate Shaft, Roller Bearings, Thrust Washers, and Spacers	942115K
37	Small Parts Kit	All	Includes #s 10, 15, 16, 17	J0935758

\* Not Currently Available

# Transfer Case

# Quadra-Trac Transfer Case

1976-1979 CJ-7  
1973-1979 SJ, J-Series





Item #	Description	Comments	Replaces Part #
1	Gasket, PTO or Low-Range Cover		J8122406
2	Diaphragm, Vacuum Shift		J8122991*
3	O-Ring, Vacuum Shift Diaphragm		J8123024
4	Seal, Shift Fork Cover		J8123023
5	Seal, Case Half		J8122389
6	Switch, 4 WD Indicator		J3211322
7	Bearing, Differential	Front or Rear	J8122390
8	Bearing, Drive Sprocket	Rear	J8122395*
9	Thrust Washer, Drive Sprocket		J8122710
10	Chain, Transfer Case	96 Pins w/ Overdrive; 92 Pins	J8122392 8122392DN
11	Bearing, Drive Sprocket	Front	J8122390
12	Seal, Input Shaft	2 Required	J8122404
13	Gasket, Transmission to Transfer Case		J5358840
14	Nut, Output	Front or Rear	J0801367
15	Washer, Output	Front or Rear	J4004913
16	Seal, Outer	Front or Rear	J5353347
17	Yoke, Output	Front; 10 Splines w/ Slinger; U-Bolt Style Front; 26 Splines w/o Slinger; U-Bolt Style Rear; 10 Splines w/o Slinger; Strap Style	A1106 J8129363 J5354060
18	Seal, Output	Front or Rear	J8123077
19	Bearing, Output	Front or Rear	J8122391*
20	Transfer Case Fluid	1 Quart	TCL-1
21	U-Bolt Kit	Includes 2 U-Bolts, 4 Washers, and 4 Nuts	A490K
22	U-Joint Strap Kit	Includes 2 Straps and 4 Hex Bolts Includes 2 Straps and 4 - 12-Point Bolts	4006698K 4006928K
23	Gasket and Seal Set	Includes #s 1, 3, 4, 5, 12, 13, 16, 18	J8125030
24	Transfer Case Chain Kit	Includes J8122392 and # 23	8122392K

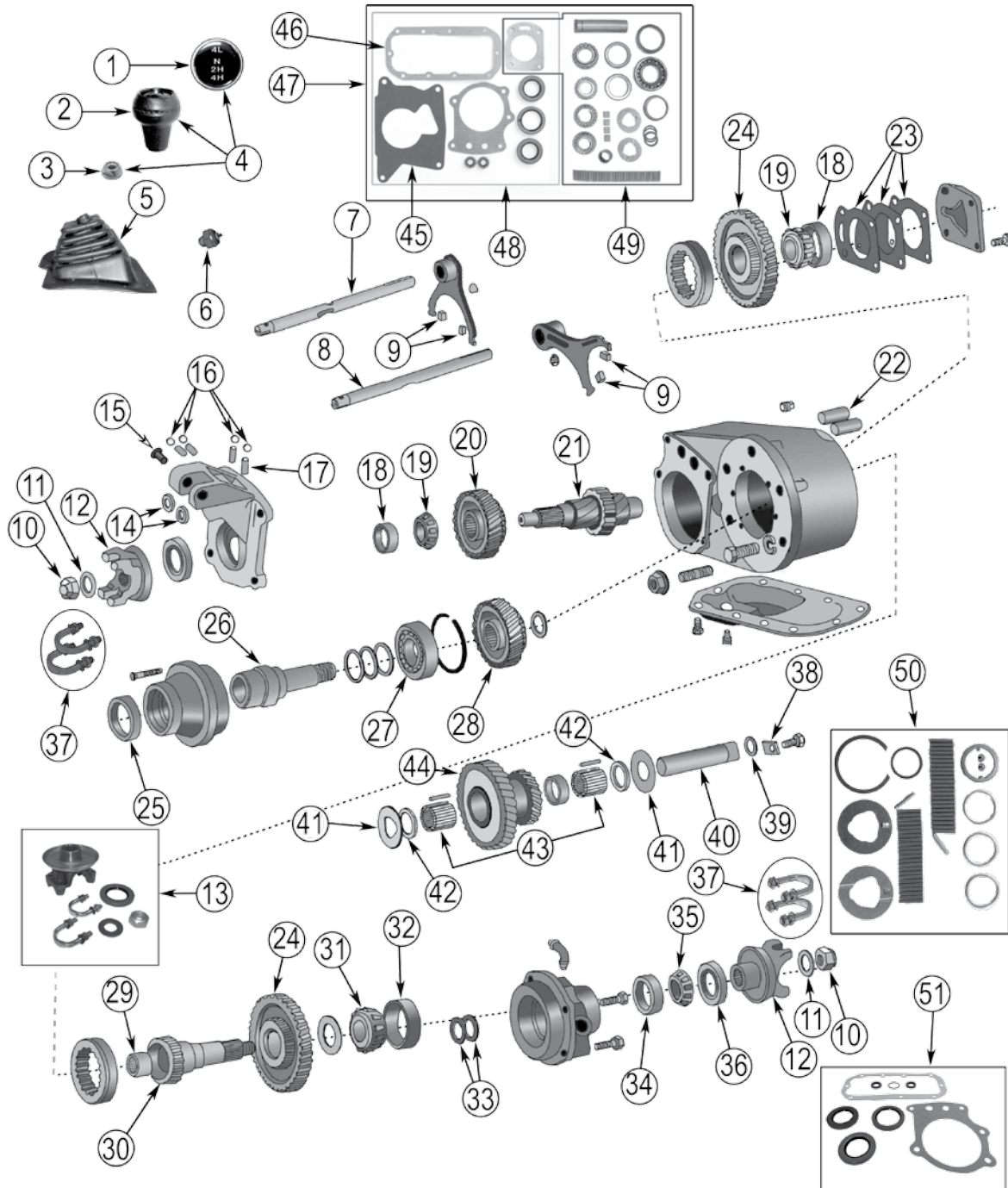
\* Not Currently Available



# Transfer Case

# Dana 300 Transfer Case

1980-1986 CJ-5, 7, 8



Item #	Description	Comments	Replaces Part #
1	Insert, Shift Knob		J3241430
2	Knob, Shift		J3241062
3	Nut, Shift Control		J4006495
4	Shift Knob Kit	Includes #s 1, 2, 3	3241430K
5	Boot, Shifter	w/ SR4, T4, T5 w/ T176, T177 (Double Boot)	J5752009 5752141
6	Switch, 4WD Indicator		J3211322

\* Not Currently Available

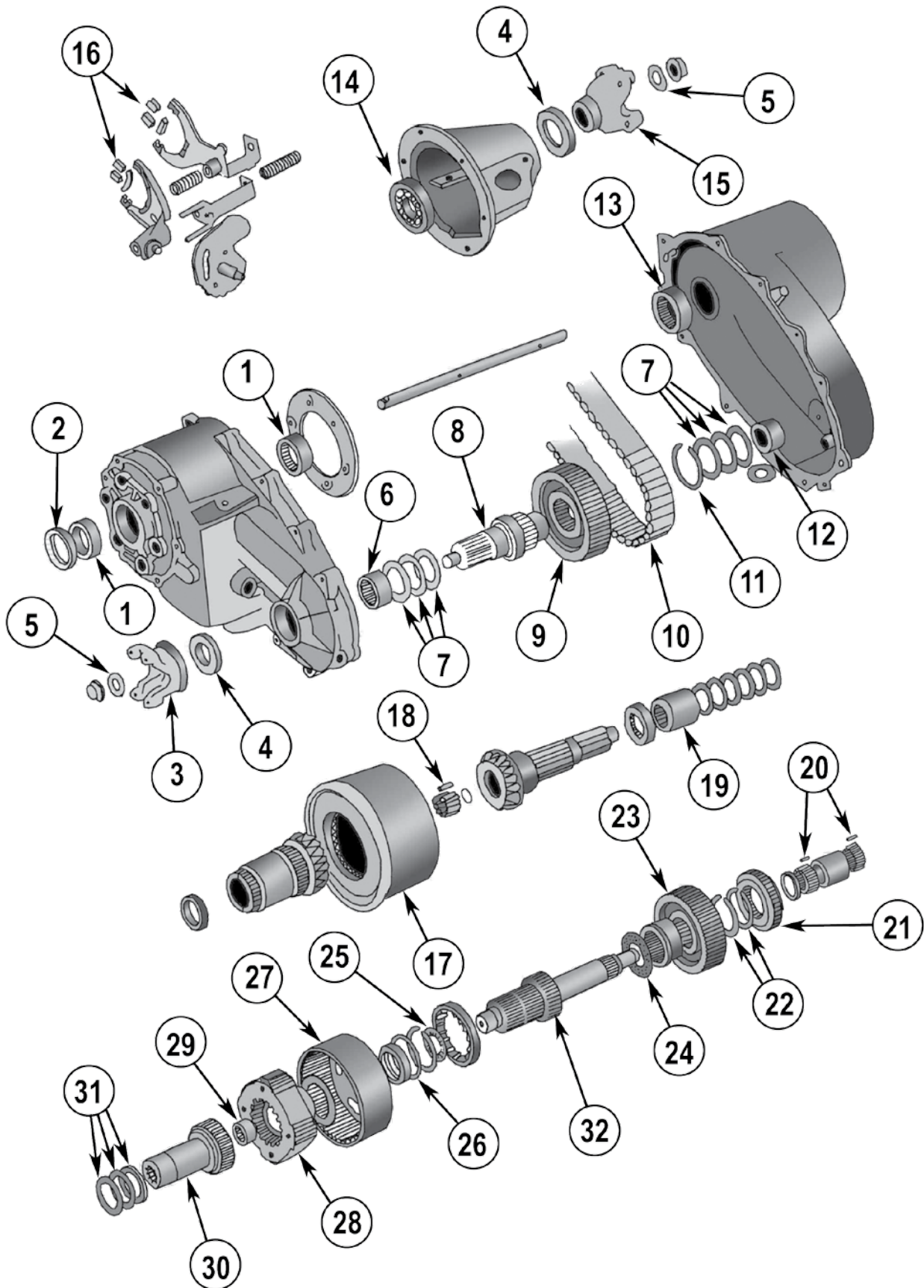
Item #	Description	Comments	Replaces Part #
7	Rod, Shift	Front	J8131673 *
8	Rod, Shift	Rear	J8131672
9	Pad, Shift Fork	4 Required	J8131670
10	Nut, Output	Front or Rear	J0801367
11	Washer, Yoke	Front or Rear	J4004913
12	Yoke, Output	Bolt and Strap Type; Front or Rear U-Bolt Yoke Type; Front or Rear	J8131656 J0935685
13	Yoke Kit	Front or Rear; Includes #s 10, 11, 12, 36, 37	D300YOKEUBK
14	Seal, Shift Rod	2 Required	JA000974
15	Bushing, Shifter Shaft		J5360135
16	Ball, Chrome		453593
17	Poppet Spring, Shift Rod		J0939001
18	Bearing Cup, Output	Front or Rear Bearing	J3156062
19	Bearing, Output	Front or Rear Bearing	J3156063
20	Gear, Front Output		J8131680
21	Shaft, Front Output		J8131660
22	Cap, Shift Rod	2 Required	J0934281
23	Shim Set, Front Output Access Cover		J8131668
24	Gear, Sliding Drive	2 Required	J8131679 *
25	Seal, Input		J8131684
26	Shaft, Input		J8131687 *
27	Bearing, Input		J8131682
28	Gear, Input		J8131685
29	Bearing, Output Shaft	Rear; Inner	J8134553
30	Shaft, Rear Output		J8133793 *
31	Bearing, Rear Output	Front Bearing	J8134239
32	Bearing Cup, Rear Output	Front Bearing	J0052800
33	Shim Kit, Rear Output		J0933743
34	Bearing Cup, Rear Output	Rear Bearing	J3124570
35	Bearing, Rear Output	Rear Bearing	J0933737
36	Seal, Output	Front or Rear	J8131669
37	U-Bolt Kit, Drive Shaft	Includes 2 U-Bolts, 4 Washers, and 4 Nuts	A490K
38	Plate, Intermediate Shaft Lock		JA001001
39	Seal, Intermediate Shaft		J0942114
40	Shaft, Intermediate		J0942115
41	Thrust Washer, Intermediate Shaft	2 Required	J8121813
42	Spacer, Intermediate Shaft	2 Required	J0809295
43	Needle Bearing, Intermediate Gear	48 Required	J0809294
44	Gear, Intermediate		J8131678 *
45	Gasket, Transfer Case	Transmission to Transfer Case	J5358840
46	Gasket, Access Cover		JA000954
47	Master Overhaul Kit	Includes #s 14, 16, 25, 33, 36, 39, 42, 45, 46, 49	D300-MASKIT
48	Gasket and Seal Kit	Includes #s 14, 25, 36, and all Gaskets	D300-GS
49	Bearing Kit	Includes #s 9, 18, 19, 23, 27, 29, 31, 32, 33, 34, 35, 41, 43	D300-BK
50	Small Parts Kit		J0935758
51	Gasket and Seal Kit	Includes #s 14, 25, 36, 39, and all Gaskets	300GK

\* Not Currently Available

# Transfer Case

# NP219 Transfer Case

1980-1986 SJ, J-Series



Item #	Description	Comments	Replaces Part #
1	Bearing, Input Shaft		J8130868
2	Seal, Input		J5359457
3	Yoke, Front Output		4856142
4	Seal, Output Shaft	Front or Rear	4762899
5	Seal Washer, Output Shaft	Front or Rear	J8130815
6	Bearing, Front Output Shaft	Front	J8130869
7	Bearing Assembly, Front Output Shaft	2 Sets Required	J8130819
8	Shaft, Front Output		J8130850 *
9	Sprocket, Front Output Shaft		J8130849 *
10	Chain, Transfer Case		J8130831
11	Retaining Ring		J8130802 *
12	Bearing, Front Output Shaft	Rear	4269189
13	Bearing, Rear Output Shaft	Front	J8130835 *
14	Bearing, Rear Output Shaft	Rear	J8136626
15	Yoke, Rear Output		J8130817 *
16	Pad Kit, Shift Fork		J8130859
17	Viscous Coupling		J8130800 *
18	Pilot Roller Bearing		J8130804 *
19	Gear, Speedometer Drive		J8130827 *
20	Roller Kit, Side Gear	Includes 85 Roller Bearings	J8130846
21	Gear, Viscous Clutch		J8130801 *
22	Retaining Ring		J8130802 *
23	Sprocket, Main Shaft		J8130849 *
24	Thrust Washer, Main Shaft		J8130844 *
25	Thrust Bearing, Main Shaft		J8130879
26	Thrust Washer		J8130865 *
27	Annulus Gear		4167954 *
28	Planetary Gear		4329198 *
29	Bearing, Input		J8130878
30	Gear, Input		J8130877 *
31	Thrust Bearing Kit, Input		J8130875
32	Main Shaft		J8130842 *

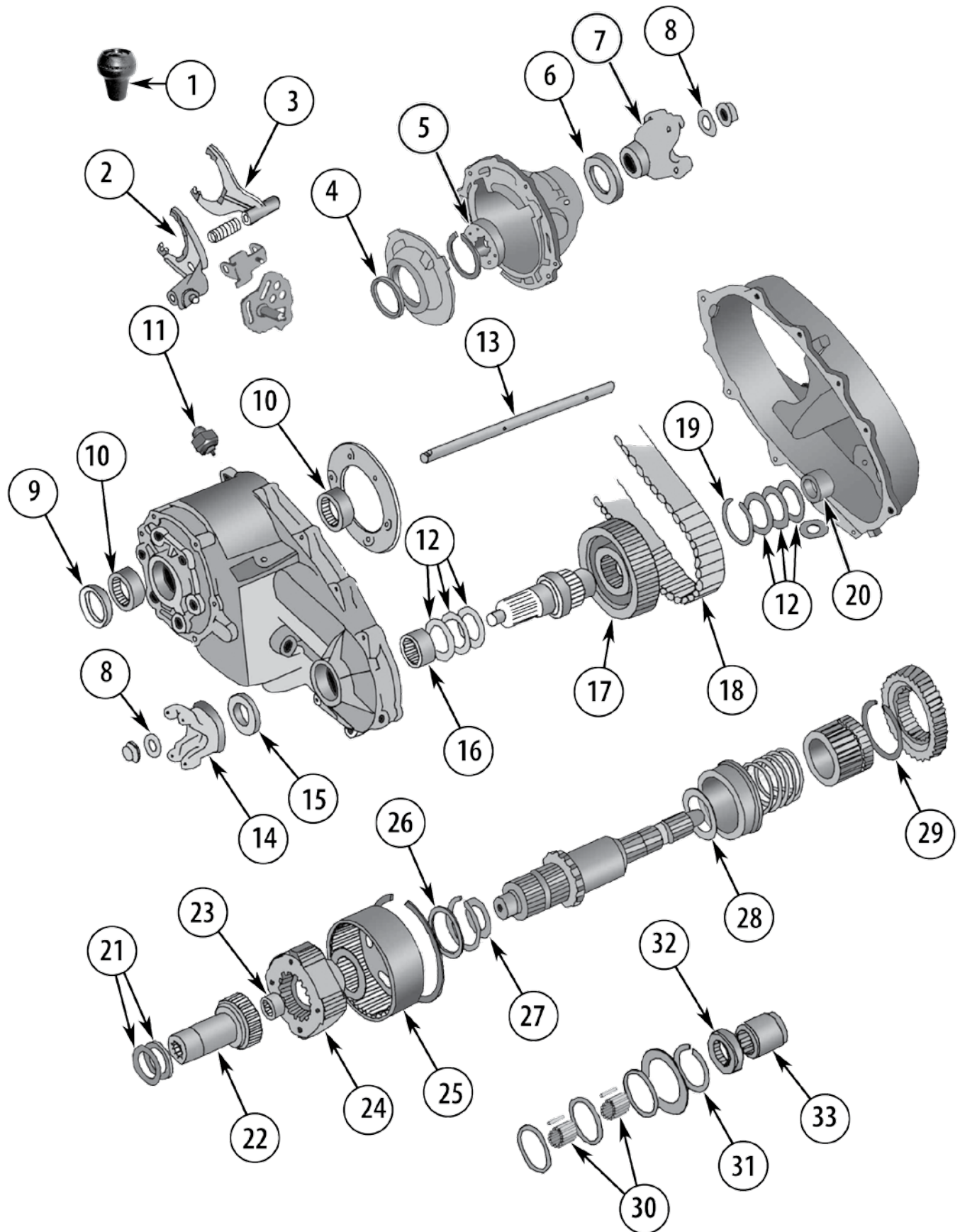
\* Not Currently Available



# Transfer Case

# NP208 Transfer Case

1980-1986 SJ, J-Series



Item #	Description	Comments	Replaces Part #
1	Shift Knob		J3241062
2	Fork, Range Shift		J8130858 *
3	Fork, Mode Shift		J8130851 *
4	Seal, Oil Pump Housing		J8130982
5	Bearing, Rear Output		J8136626
6	Seal, Rear Output Shaft		4762899
7	Yoke, Rear Output	1980-86 1987-88	J8130817 * 83503578 *
8	Seal Washer, Output Shaft	Front or Rear	J8130815
9	Seal, Input		J5359457
10	Bearing, Input Shaft		J8130868
11	Switch, 4WD Indicator		J8130829
12	Bearing Assembly, Front Output Shaft	2 Sets Required	J8130819
13	Shift Rail		J8130822 *
14	Yoke, Front Output		4856142
15	Seal, Front Output		4762899
16	Bearing, Front Output Shaft	Front	J8130869
17	Sprocket, Driven		J8130975 *
18	Chain, Transfer Case		J8130977
19	Retaining Ring		4167991 *
20	Bearing, Output Shaft	Rear	4269189
21	Thrust Bearing Kit, Input		J8130875
22	Gear, Input		J8130877 *
23	Bearing, Input Shaft		J8130878
24	Planetary Gear		J8130862 *
25	Annulus Gear		J8130864 *
26	Thrust Washer		J8130865 *
27	Thrust Bearing, Main Shaft		J8130879
28	Thrust Washer		J8130967 *
29	Ring, Sprocket Stop		4167984 *
30	Roller Bearing Kit	Includes 120 Rollers	J8130972
31	Ring, Retaining		J8130974
32	Oil Pump		J8130826 *
33	Gear, Speedometer Drive		J8130827 *

\* Not Currently Available

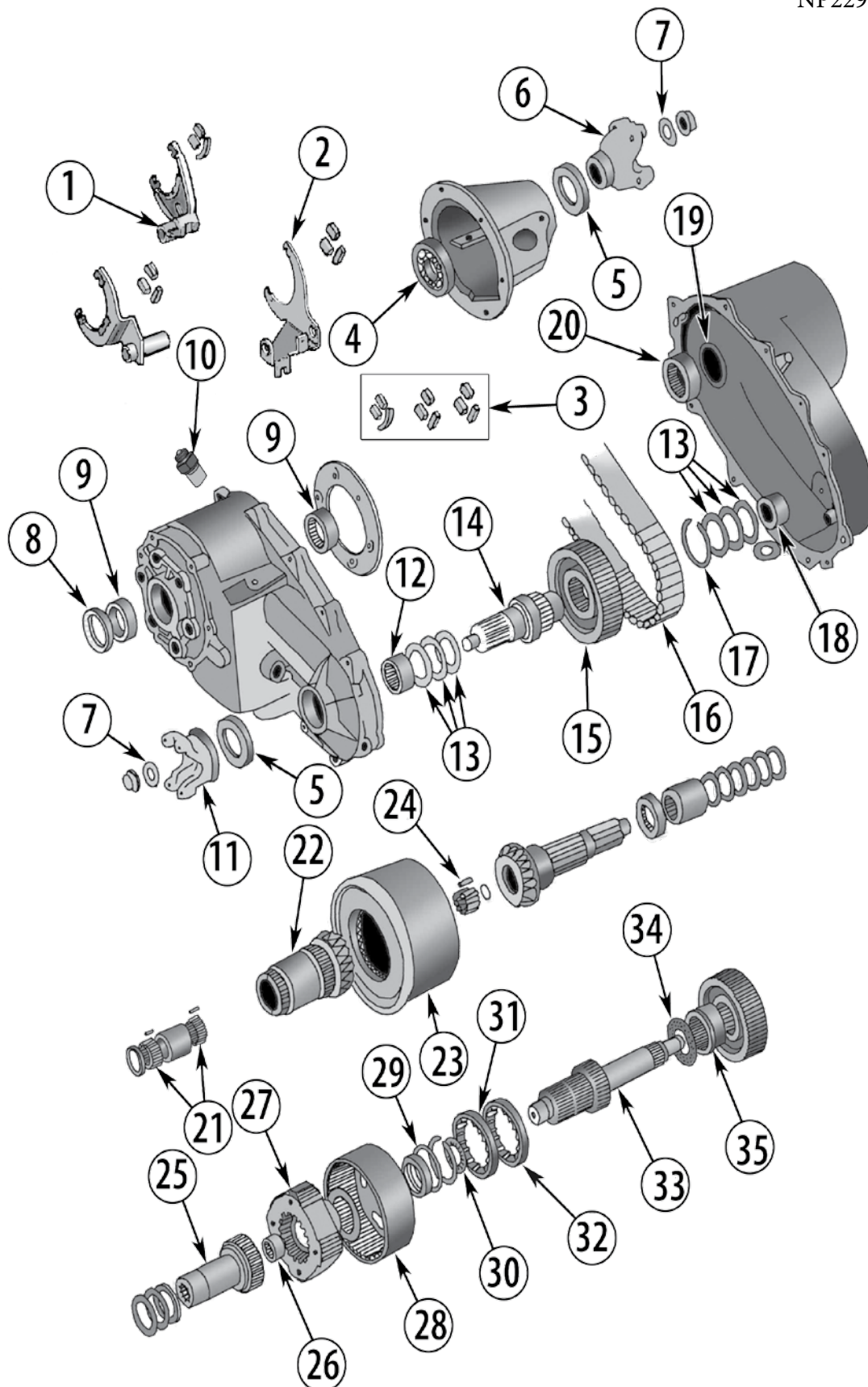


# Transfer Case

# NP228/229 Transfer Cases

NP228: 1983-1985 SJ, J-Series

NP229: 1982-1991 SJ



Item #	Description	Comments	Replaces Part #
1	Fork, Range Shift		15618
2	Fork, Mode Shift		J8134275 *
3	Pad Kit, Shift Fork		15866
4	Bearing, Rear Output Shaft	Rear	J8136626
5	Seal, Output Shaft	Front or Rear	4762899
6	Yoke, Rear Output	82/89 90/91	83503578 * 13775 *
7	Seal Washer, Output Shaft	Front or Rear	J8130815
8	Seal, Input		J5359457
9	Bearing, Input Shaft		J8130868
10	Switch, 4WD Indicator		83502652
11	Yoke, Front Output		4856142
12	Bearing, Front Output Shaft	Front	J8130869
13	Bearing Assembly, Front Output Shaft	2 Sets Required	J8130819
14	Shaft, Front Output		J8130850 *
15	Sprocket, Drive		83500491 *
16	Chain, Transfer Case		J8130831
17	Retaining Ring		J8130802 *
18	Bearing, Front Output Shaft	Rear	4269189
19	Seal, Rear Output		J8130982
20	Bearing, Rear Output Shaft	Front	J8133644 *
21	Roller Kit, Side Gear	Includes 85 Roller Bearings	J8130846
22	Side Gear		13836 *
23	Viscous Coupling	NP228 NP229	83502517 * J8130800 *
24	Roller Bearing		J8130804 *
25	Shaft, Input		83500492
26	Bearing, Input Shaft	Rear	J8130878
27	Planetary Gear		4329198 *
28	Annulus Gear		4167954 *
29	Thrust Washer		4167959 *
30	Thrust Bearing, Main Shaft		J8130879
31	Collar, Shift		16112
32	Collar, Shift		16111
33	Main Shaft		15636 *
34	Main Shaft Thrust Washer		J8130844 *
35	Side Clutch Gear		J8133633 *

\* Not Currently Available





**[www.CrownAutomotive.net](http://www.CrownAutomotive.net)**  
**[www.facebook.com/crownautomotive](https://www.facebook.com/crownautomotive)**

**Value** Crown provides QUALITY parts at a COMPETITIVE PRICE, increasing your profit and offering your customers the best value for their dollar.

**Availability** We have over 10,000 replacement parts for Jeep® vehicles in stock. With our three warehouses throughout the U.S. we can ship to most locations in 2 days by ground services.

**Selection** In addition to the parts listed in this catalog, we have an extensive inventory of replacement parts and accessories for late model and current model vehicles, including:

- 1987-2017 YJ, TJ, JK Wrangler™,
- 1993-2017 ZJ, WJ, WK Grand Cherokee™,
- 1984-2001 XJ, MJ Cherokee™ & Comanche™,
- 2002-2012 KJ, KK Liberty™
- 2016-2017 BU Renegade™
- 2007-2017 MK Compass™ & Patriot™
- 2015-2017 KL Cherokee™
- 2006-2010 XK Commander

For our late model “Red” Catalog covering Vehicles from 1972-2017, please contact your sales person.

**Reliability** All of our hard parts are guaranteed for 12 months or 12,000 miles.

**Experience** Crown has been serving the automotive industry since 1963. The majority of our sales force has been with the company for 20 years or longer. You will not find a more knowledgeable sales force anywhere!

