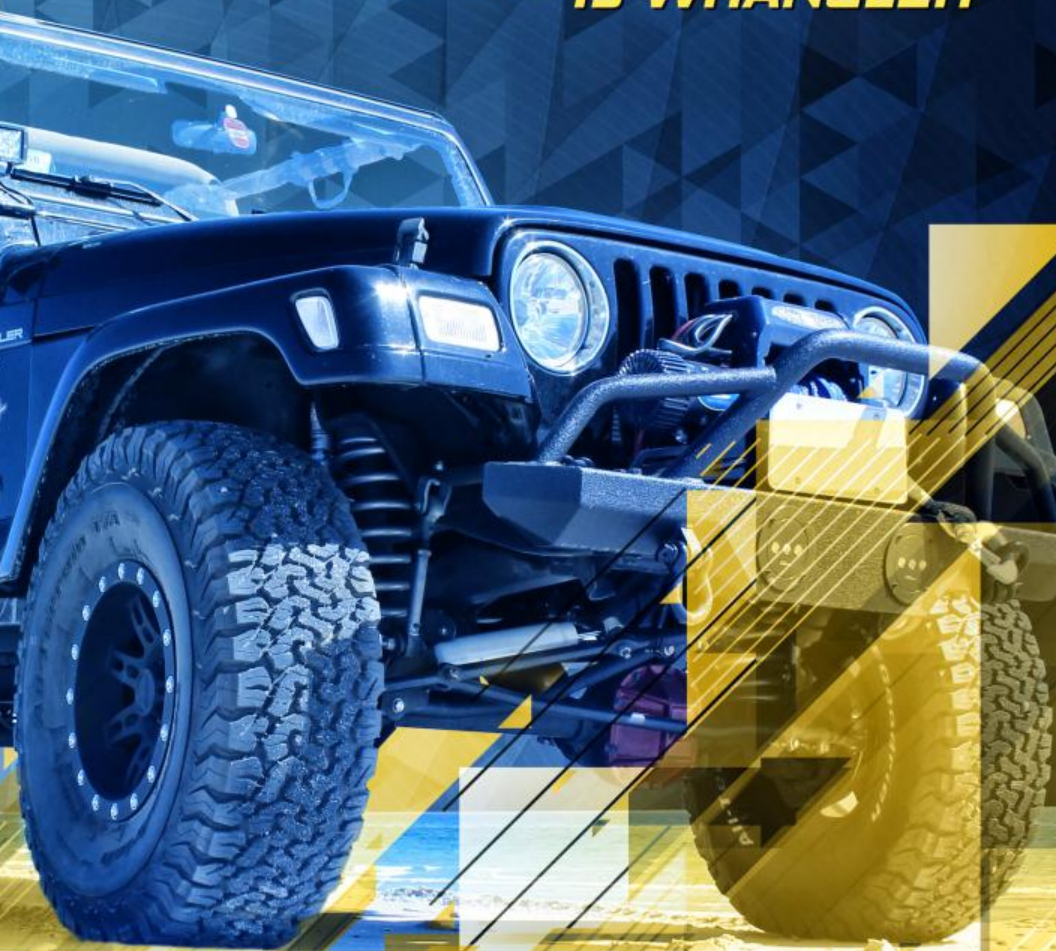




ACCESSORIES • UPGRADES • REPLACEMENT PARTS

CATALOG

FOR '97-06 **TJ WRANGLER™**



Crown Automotive Sales Co., Inc. / RT Off-Road is not affiliated with FCA US, LLC. Jeep® is a registered trademark of FCA US, LLC.

Wrangler™ is a trademark of FCA US, LLC.

Some part numbers listed in this catalog are used for reference purposes only. No implication is made that the actual products sold are the product of the original equipment manufacturer.

Reference to a manufacturer in the catalog does not indicate that the manufacturer is the source or sponsor of the listed product. All products listed in this catalog are being sold without any sponsorship or approval of any auto manufacturer.

Copyright © 2018 Crown Automotive Sales Company Inc. All rights reserved.

MA 1-800-343-9666 • GA 1-800-241-9462 • NV 1-800-453-8220



Accessories And Upgrades

Soft Tops, Covers, &	
Top/Door Hardware	4
Seat Covers	14
Steel Bumpers & Body Armor	16
Suspension	20
Steering	23
Drivetrain	24
Brakes	28
Lighting	32
Wheel Spacers/Adapters	38
Vehicle Recovery	39
Exterior Accessories	42
Interior Accessories	44
Stainless & Related Accessories	50
Engine	59



Replacement Parts

Axle	60
Driveshaft	68
Clutch	70
Cooling	72
Body	74
Filters	81
Tune Up Kits	81
Lighting	82
Electrical	84
Fuel	88
Engine	90
Brake	100
Steering	104
Suspension	106
Exhaust	108
HVAC	110
Locks & Keys	111
Wiper	111
Transfer Case	112
Emissions	114
Wheel	114
Manual Transmission	115

COMPLETE TOPS

RT Off-Road's Complete Soft Tops are complete top packages that include everything needed to install them. Kits include: Soft Top, Windows, Bow Assembly, and all hardware. Each top also includes soft top disconnects, a soft top storage bag, and storage pockets built into the top itself. The improved frame design and bow assembly increase ease of use, and allow the tops to easily fold down when not in use.

97–06 TJ WRANGLER w/o Unlimited Package

Color	Product Description	Part #
Spice Denim	Half Door	CT20137
	Half Door with Tinted Windows	CT20237T
	Full Door	CT20337
	Full Door with Tinted Windows	CT20437T
Black Diamond	Half Door	CT20135
	Half Door with Tinted Windows	CT20235T
	Full Door	CT20335
	Full Door with Tinted Windows	CT20435T
Khaki Diamond	Half Door	CT20136
	Half Door with Tinted Windows	CT20236T
	Full Door	CT20336
	Full Door with Tinted Windows	CT20436T



OEM STYLE SOFT TOPS

RT Off-Road's OEM Style Replacement Soft Tops are a perfect way of replacing a worn and drafty top with foggy windows and broken zippers. This direct replacement fabric top includes either clear or tinted windows. Factory frames and hardware must be reused.



97–06 TJ WRANGLER w/o Unlimited Package

Color	Product Description	Part #
Black Denim	Half Door with Tinted Windows	RT10115T
	Half Door	RT10315
	Full Door with Tinted Windows	RT10215T
Black Diamond	Half Door	RT10335
	Half Door with Tinted Windows	RT10335T
	Full Door with Tinted Windows	RT10435T
Khaki Diamond	Half Door	RT10336
Spice	Half Door	RT10337
	Half Door with Tinted Windows	RT10337T

Black Denim



Gray Denim



Tan Denim



Khaki Diamond



SAILCLOTH REPLACEMENT TOPS

RT Off-Road's upgraded Sailcloth Replacement Soft Tops are a direct fit replacement for the factory cloth and windows. The upgraded sailcloth material reduces buffering and noises typical with soft top vehicles. Factory hardware must be reused.

97-06 TJ WRANGLER w/o Unlimited Package

Color	Product Description	Part #
Black Diamond	Soft Upper Door with Tinted Windows	RTS20035T
Spice	Soft Upper Door with Tinted Windows	RTS20037T

BOWLESS SOFT TOPS

RT Off-Road's Bowless Soft Top installs directly over the factory roll bar. It requires no additional supports and still maintains a snug fit. When the side and rear windows are removed, the top converts into an open air safari top.

97-06 TJ WRANGLER w/o Unlimited Package

Color	Product Description	Part #
Black Diamond	With Tinted Windows and Storage Pockets	BRT10035
Spice Diamond	With Tinted Windows and Storage Pockets	BRT10037



BEACH TOPPERS

Enjoy the open air feel while staying protected from direct sunlight and an unexpected rain. Windshield channels may be required and are sold separately.

97-06 TJ WRANGLER

Including Unlimited Package

Color	Part #
Black Diamond	BT40035
Black	BT40015
Spice	BT40037



COVER ALL KITS

RT Off-Road's Cover All Kits are a unique way to outfit your vehicle with a weather resistant top system. While not completely weather tight, these Cover All Kits provide protection for vehicles without any top. Each Kit includes a beach topper, a wind breaker, and a tonneau cover. Tire cover and roll bar cover are not included.

97-06 TJ WRANGLER w/o Unlimited Package

Color	Part #
Black Diamond	CA10335
Spice	CA10337



WINDBREAKERS

RT Off Road's Windbreakers deflect the air behind the driver and passenger seats, creating a pleasant environment for conversation and listening to music. They mount behind the front seats to the factory roll bar and extend to the floor, reducing wind, moisture, and dust from entering the passenger compartment.



97-06 TJ WRANGLER

Including Unlimited Package

Color	Part #
Black Diamond	WB10035
Spice	WB10037
Black Denim	WB10015

COMBO BEACH TOPPERS

RT Off-Road's Combo Beach Toppers allow occupants to enjoy the open air feel while staying protected from direct sunlight or an unexpected rain shower. Each kit is designed to be a versatile system, allowing for partial or full interior coverage. Windshield channels may be required and are sold separately.

97-06 TJ WRANGLER

w/o Unlimited Package

Color	Part #
Black Denim	CB20015
Spice	CB20037
Black Mesh	CB20011



TONNEAU COVERS

Keep gear clean, dry, and away from prying eyes with RT Off-Road's Tonneau Cover. Installs into factory belt rails and extends from the tailgate to the back of the front seats.



97-06 TJ WRANGLER

w/o Unlimited Package

Color	Part #
Black Denim	TN10115
Black Diamond	TN10135
Spice	TN10137

TAILGATE BAR & TONNEAU COVER KIT

Replace your broken or missing tailgate bar and add a cargo cover for when the top is off. This is a dual function product that can either be used with a soft top or by itself as a Tonneau/Cargo Cover. The bar assembly slides onto a channel for both your top and the Cargo Cover. The channel allows you to quickly change from a top to the Cargo Cover. The Cargo Cover keeps the valuables that you store behind your seat out of sight. The Tailgate Bar assembly installs in minutes into the factory location.

- Tailgate Bar and retainers work with factory and most aftermarket tops.
- Black denim Cargo Cover encloses space between rear seat and tailgate.
- Includes instructions.
- Includes Tailgate Bar, retainer mounts, Cargo Cover, and all necessary hardware.
- Cargo Cover can be removed and Tailgate Bar can be used with standard soft top.

97-06 TJ WRANGLER w/o Unlimited Package

Color	Part #
Black Denim	TN27015



FULL COVERS

RT Off-Road's Water Resistant Covers are designed to protect the vehicle from sun, dirt, dust, moisture, and pollution. The cover accomplishes this while also being breathable enough to reduce moisture and temperature buildup. Includes cover, lock, cable, and storage bag.



TJ WRANGLER

Color	Description	Part #
Gray	97-06 w/o Unlimited Package	FC10009
	04-06 w/ Unlimited Package	FC10109

CAB ONLY COVERS

RT Off-Road's Cab Covers were designed for a tight fit that will last for years. The elastic bottom and straps will keep the cover tight to the body. The compact design provides easy storage when not being used.

97-06 TJ WRANGLER w/o Unlimited Package

Color	Product Description	Part #
Gray	Fits over factory roll bar. Water-Resistant.	CC10209
	Fits over factory soft or hard top. Non-water-resistant.	CC10309



REPLACEMENT DOOR SKINS

Replace worn or damaged factory upper soft door skins with a set from RT Off-Road. Installs directly over factory upper door frames. Replacement Upper Door Frames also available separately. Sold in pairs.

97–06 TJ WRANGLER

Color	Part #
Black Denim	DS10115
Black Diamond	DS10135
Spice	DS10137

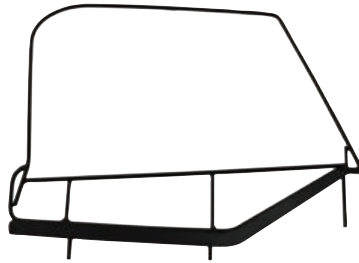


REPLACEMENT UPPER DOOR FRAMES

Replace damaged or missing upper door frames with RT Off-Road's replacement Door Frame sets. Replacement Upper Door Frames fit all factory half doors and work with our Replacement Upper Door Skins. Door Frames are only available in pairs.

97–06 TJ WRANGLER

Color	Part #
Black	DF200TJ



DOOR PIN INSERTS

Direct replacement for OEM half steel door inserts. These inserts secure the upper window frame to the door. Three are required for each door.



97-06 TJ WRANGLER

Color	Description	Replaces Part #
Charcoal (Light Gray)	Single	5FB63JS1
	Set of Three	5FB63JS1K
Cinder (Dark Gray)	Single	5FB63RXA
	Set of Three	5FB63RXAK
Spice	Single	5FB63RTB
	Set of Three	5FB63RTBK

WINDSHIELD CHANNELS

RT Off-Road's Windshield Channel is designed for aftermarket beach toppers, combo toppers, and bowless replacement tops. Installs to factory windshield frame and includes all hardware needed for installation.



TJ WRANGLER

Year	Description	Part #
97-02	Drill In	RT26065
97-06	No Drill	RT26066

WINDOW STORAGE BAG

Finally, a safe and convenient way to store a set of windows and upper doors. One of the most difficult things about taking the top off a Jeep® is finding a place to safely store the windows and upper doors. With our heavy duty canvas Storage Bag, windows and doors can now be stowed safely and conveniently behind the rear seat. The internal felt separators will ensure their safety while removed from the vehicle. Storage Bag works on most Jeep® vehicles with a soft top and upper soft doors.



97-06 TJ WRANGLER

Color	Part #
Black	SB40002

SOFT TOP DISCONNECTS

RT Off-Road's Soft Top Disconnect Kit is an upgraded aluminum disconnect kit for the TJ Wrangler. The factory plastic disconnects are known to crack, fracture, and eventually fail. These upgraded aluminum disconnects will install and function like the factory disconnects.

97-06 TJ WRANGLER

Color	Part #
Black	RT26063
Aluminum	RT26062



SOFT TOP STORAGE SLEEVES

Protect your soft top with RT Off-Road's Soft Top Storage Sleeves. Installs quickly and easily on top with no special tools. Available in multiple colors for a direct match to soft top material.

97-06 TJ WRANGLER

Color	Part #
Black Denim	SB10015
Gray	SB10009
Spice	SB10037



TIRE COVERS

Protect your spare tire from the elements with a RT Off-Road Tire Cover. The elastic slip on design allows for easy installation while still maintaining a tight fit. The canvas material protects expensive tire and wheel combinations from corrosive road chemicals, salt, and UV light.

UNIVERSAL

Color	Tire Size	Part #	Color	Tire Size	Part #
Black	27"-29"	TC272901	Gray	27"-29"	TC272909
	30"-32"	TC303201		30"-32"	TC303209
Black Denim	27"-29"	TC272915	Spice	27"-29"	TC272937
	30"-32"	TC303215		30"-32"	TC303237
Black Diamond	33"-35"	TC333535		33"-35"	TC333537



TC272909



TC272937



TC272901

SEAT COVERS SETS

These easy to install seat covers are made from durable polycanvas.

The front seat sets include 2 front seat covers, 2 shoulder harness belt pads and a steering wheel cover. The Seat Covers have adjustable side lace-up draw cords that create a snug fit. Front and side mounted zippered mesh pockets add convenient storage space. Large rear pockets add additional rear access storage space. Included rear carabiner clip is handy for hanging and securing small items. The Steering Wheel Cover installs in seconds without glue or tape. The rubberized interior of the Steering Wheel Cover allows for exceptional grip.

The rear seat sets include one bench Seat Cover and two Shoulder Harness Belt Pads. There is a large storage pocket on the back side of the seat cover.

TJ WRANGLER

Year	Color	Position	Part #
97-02	Black & Gray	Front	SC10021
		Rear	SCP20121
	Black & Tan	Front	SC10024
		Rear	SCP20124
	Black & Red	Front	SC10030
		Rear	SCP20130
03-06	Black & Gray	Front	SCP20021
		Rear	SCP20221
	Black & Tan	Front	SCP20024
		Rear	SCP20224
	Black & Red	Front	SCP20030
		Rear	SCP20230





HEAVY-DUTY PLATE STEEL BUMPERS



RT Off-Road's Heavy-Duty Front and Rear Bumpers are a heavy-duty plate steel constructed upgrade over factory bumpers. The 3/16" thick plate steel construction is protected with a durable gloss black powder coat.

97-06 TJ WRANGLER

Position	Part #
Front	RT20001
Rear	RT20003

97-06 TJ WRANGLER



Position	Part #
Rear	RT20005

Engineered for severe use on a trail rig, as well as, standard operation on a daily driver. The Bumper's angled profile increases your departure angle without sacrificing overall strength. With this Bumper, we recommend also purchasing RT Off-Road's RT33009 2" receiver and D-ring.

- Durable Textured Black Powder Coat Finish
- 3/16" Plate Steel Construction
- Integrated 2" Receiver
- Accepts 5 on 4.5" bolt pattern wheels and oversized tires

TUBE BUMPERS

RT Off-Road's Double Tube Bumper design is sure to freshen up the look of your vehicle. All Tube Bumpers are constructed out of 3" diameter tubing with a durable powder coated finish. These Tube Bumpers are designed to install in the factory holes and require no additional drilling or modifications.

97-06 TJ WRANGLER

Position	Part #
Front	RT20006
	RT20008
Rear	RT20007



HEAVY-DUTY FRONT BUMPER**NEW**

RT Off-Road's Front Bumper is a heavy duty plate steel constructed upgrade over the factory bumper. The 3/16" plate steel and tubular steel construction is protected with a durable black powder coat. Bumper has two integrated D-Ring Mounts for recovery, two fog light mounts, and additional holes for mounting lights. Includes all hardware needed for installation and is designed to install in the factory holes and require no additional drilling or modifications.

97-06 TJ WRANGLER

Color	Part #
Black Textured	RT20016

**HEAVY-DUTY TUBE BUMPERS**

RT Off-Road's Heavy Duty Front & Rear Bumpers are a heavy-duty tubular steel constructed upgrade over the factory bumpers. The front bumper is winch ready and will serve to protect the fenders and grille of the Jeep from foreign objects. The rear bumper includes a tire carrier and a 2" receiver. Both the front and rear bumper serve as a recovery point.

97-06 TJ WRANGLER

Color	Position	Description	Part #
Black	Front	Includes a bumper and all hardware needed to install.	RT20009
Black	Rear	Includes a bumper with tire carrier and all hardware needed to install.	RT20004



NEW**SPARE TIRE CARRIER SPACER**

Mount an oversized spare tire to the OE spare tire mount with RT Off-Road's Spare Tire Spacer. It raises the spare tire and wheel up 2", and spaces it out 2". This results in improved ground clearance and increased tire clearance to the tailgate. Up to 1.5" of left or right wheel offset is available to allow for the use of other bolt-on accessories.

**97-06 TJ WRANGLER**

Description	Part #
Features textured black powder coat; includes all necessary mounting hardware.	RT26076

NEW**LICENSE PLATE BRACKET**

The bracket snaps onto the winch roller fairlead and allows the use of the winch with a small tug on the bracket.

UNIVERSAL

Color	Description	Part #
Black	Included is a flat black powder coated bracket, 2 fairlead clips, and hardware.	RT26075



TUBE SIDE STEPS

RT Off-Road's Side Steps will make entering and exiting the vehicle much easier while improving side protection from obstacles. Installation is a breeze using the factory body mounting bolts to mount the Steps to the vehicle. Each Kit includes left and right steps, mounting brackets, hardware, and installation instructions.

- Durable, black powder coat finish
- No-Slip flats for entering and exiting the vehicle
- 3" Diameter Tubes
- Works with vehicles with (or without) a body lift
- Easy No-Drill Installation

97-06 TJ WRANGLER w/o Unlimited Package

Description	Part #
Matte Black	RT26015
Black Textured	RT26016



SPACER LIFT KITS

Improve the look and off-road performance of your vehicle with RT Off-Road's Lift Kit. These Kits lift the vehicle 1 3/4", improving ground clearance allowing for the use of oversized tires.

- Fits all available models
- Black Polyurethane construction



RT21029

97-06 TJ WRANGLER

Description	Part #
1 3/4" Lift	RT21028
1 3/4" Lift; Includes HD Shocks	RT21029

DROP PITMAN ARMS

Improve steering performance with RT Off-Road's Drop Pitman Arm. Lifting your Jeep® without addressing the steering angles often times results in bump steer and decreased turning radius. Installation of this Drop Pitman Arm will reduce the operating angle of the drag link, resulting in improved steering feel and less wear on steering parts. Each Arm is designed to bolt in place of the factory piece with no interference issues.

97-06 TJ WRANGLER

Description	Part #
LHD with Power Steering, with 8"+ Lift	RT21001



SHOCK BRACKET SET

Replace ripped, bent, or broken axle side shock brackets with RT Off-Road's Shock Bracket Set. They can be easily modified to fit several other size tubes for a truly universal fitment. They are designed to mount the shock bushing parallel to the axle tube with enough space for oversized shock bodies to clear the axle tube.



UNIVERSAL

Description	Part #
3/16" Mild Steel brackets designed to fit a 3" axle tube; Features 1/2" bolt hole. Sold in Pairs	RT25003

PERFORMANCE SWAY BAR LINKS

RT Off-Road's Sway Bar Links are an affordable upgrade that increase performance and handling. Not only will your vehicle perform better with our upgraded polyurethane bushing and boots, but the product will last longer than the factory rubber pieces it replaces. All Sway Bar Links install in place of the factory link.

- Black powder coated body with blue polyurethane boots and bushings
- Polyurethane bushings provide long lasting performance and handling
- Installs using factory hardware
- Designed for factory height vehicles

97-06 TJ WRANGLER

Location	Quantity	Part #
Front	Single	RT21031
	Set of 2	RT21033
Rear	Single	RT21032
	Set of 2	RT21034



BUMP STOP SET

RT Off-Road's Extended Bump Stops prevent expensive body damage to lifted Jeep® vehicles. They measure 5" long and install in place of the factory foam bump stops. The polyurethane construction results in a longer product life and improved suspension control. They can be shortened to achieve the perfect amount of suspension articulation while still preventing the tires from contacting the body.

97-06 TJ WRANGLER

Description	Part #
Front or Rear, Polyurethane Construction, 5" Long; Simple Installation, Designed for Vehicles w/ Suspension Lift. Set of 2	RT21027



PERFORMANCE SHOCK ABSORBERS

97-06 TJ WRANGLER

Description	Part #
Front; For 3" Lift	RT21018
Rear; For 3" Lift	RT21030



HEAVY-DUTY ADJUSTABLE TRACK BARS

RT Off-Road's Adjustable Track Bar is a heavy-duty, adjustable upgrade over the factory bar. The adjustable assembly allows you to dial in your suspension's alignment to guarantee that the axle is centered under the front of the vehicle. The 1.25" DOM Tubing has a heavy wall thickness that will withstand years of abuse on the trails.

- For vehicles with 0-5" of lift
- 1.25" DOM tubing
- Requires no drop brackets, drilling, or modification. Installs in factory location.
- Black powder coated finish.
- Will not work on Right Hand Drive vehicles

97-06 TJ WRANGLER

Description	Part #
Front With LHD, with 2.75-5" Lift	RT21017
Rear With LHD, with 2-5" Lift	RT21052



RT21052

HEAVY-DUTY CONTROL ARM BRACKET SET

RT Off-Road's Lower Control Arm Bracket Set is a heavy-duty replacement for the failure-prone factory mounts. The 3/16" plated steel construction will ensure long-lasting performance even with the most rigorous off-road use. The slotted cam bolt design will allow you to dial in the front caster and improve overall ride quality. Cam bolt kits are available separately, replaces part #6504238K. Installation will require cutting, grinding, and welding.

97-06 TJ WRANGLER

Description	Part #
<ul style="list-style-type: none"> • Brackets are shipped in bare steel • Welding Required • Sold in pairs • Cam Bolt Kit sold separately (Replaces Part #6504238K) 	RT21015



HEAVY-DUTY BALL JOINT SETS

The “Heavy-Duty” description is more than accurate with these Ball Joints. The newly-designed Joint is leaps ahead of the OE plastic bushings plagued with premature failure. These HD Ball Joints were manufactured with sintered metallic bushings. This new bushing is highly resistant to wear and damage. The assembly is greasable to extend the life of the already durable bushings specifically engineered for vehicles with larger tires, lift kits, and heavier accessories. They install without any fabrication or modification to the factory mounts using tools that can be purchased or rented at a local parts store. The HD Ball Joints are also backed with an industry leading 12-month warranty.

97–06 TJ WRANGLER

Description	Part #
Set includes 1 Upper and 1 Lower Ball Joint with all hardware needed for installation.	RT21003



HEAVY-DUTY STEERING STABILIZER

97–06 TJ WRANGLER

Description	Part #
<ul style="list-style-type: none"> • Smooths any unwanted steering inputs • No modifications needed to factory mounting components • Fits Left or Right Hand Drive Applications • Includes all hardware needed for installation 	RT21008



HEAVY-DUTY STEERING KITS

- Heavy Duty Solid Steel Construction
- No modifications needed to factory mounting components
- Includes all hardware needed for installation

TJ WRANGLER

Years	Description	Part #
97–06	Left Hand Drive; Steering Stabilizer Not Included	RT21004
	Left Hand Drive; Steering Stabilizer Included	RT21005
97–04	Right Hand Drive; Steering Stabilizer Not Included	RT21006
	Right Hand Drive; Steering Stabilizer Included	RT21007



RT21004

NEW

HD DIFFERENTIAL COVERS

Protect valuable differentials with a Heavy-Duty Differential Cover from RT Off-Road. These Covers are constructed of 3/8" high-grade forged steel with a raised fill plug for extra oil capacity. They feature strengthening ribs to ensure a broken or peeled differential cover doesn't cut the day short. The mating surface is machined flat to ensure a leak-free fitment. All Covers are finished in a red or black powder coat and include flanged hex bolts as well as RTV.

- Constructed of 3/8" Forged Steel
- Mating surface machined flat to prevent leaks
- Raised fill plug for increased oil capacity
- Powder Coated Red or Black
- Includes hardware and RTV



UNIVERSAL

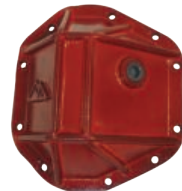
Description	Position	Color	Part #
D30 HD Differential Cover	Front	Red	RT20024
		Black	RT20030
D35 HD Differential Cover	Rear	Red	RT20025
		Black	RT20031
D44 HD Differential Cover	Front or Rear	Red	RT20026
		Black	RT20032



RT20024



RT20025



RT20026



RT20030



RT20031



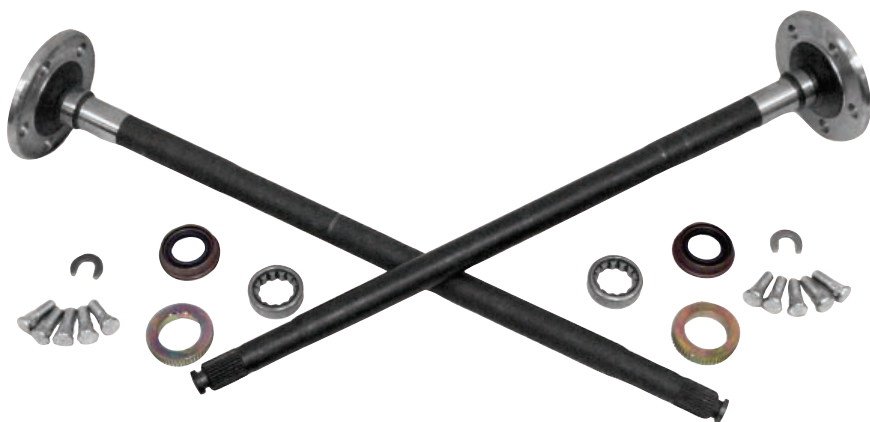
RT20032

PERFORMANCE AXLE SHAFT SETS

RT Off-Road continues our tradition of high-quality, heavy-duty, products with Performance Axle Kits. These Axles are a direct replacement for the factory shaft but are upgraded to a 4340 alloy steel. This alloy is heat treated to improve both tensile and torsional strength by 30%. The Shaft splines are rolled, not cut, into the shaft to further increase overall component strength. Sold in pairs and includes hardware.

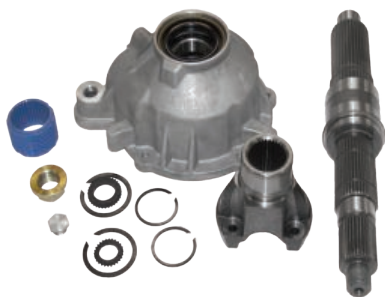
97-02 TJ WRANGLER

Description	Part #
Dana 35 w/ Rear Drum Brakes	RT23001



SLIP YOKE ELIMINATOR KIT

Eliminate drive line vibrations and increase the strength of your NP231 with RT Off-Road's Slip Yoke Eliminator Kit. Each Kit includes a replacement output housing, heavy duty main shaft, rear output yoke designed for a double-cardan drive shaft, and all necessary hardware. The installation can be performed with the transfer case in or out of the vehicle with basic hand tools. Engineered to function with the factory speedometer sensor/cable and vacuum shift sensor.



97-06 TJ WRANGLER

Description

Part

- Fits all Jeep® NP231 transfer cases
- Converts factory rear slip yoke to a CV style output
- Features 1-3/8" 32-Spline Main Shaft
- Includes installation instructions

RT24005

REPLACEMENT SEAL FOR SLIP YOKE ELIMINATOR



97-06 TJ WRANGLER

Description

Part

Replacement Seal for RT24005

RT24003



HEAVY-DUTY DRIVE SHAFT

97-06 TJ WRANGLER w/o Unlimited Package

Description	Part #
<ul style="list-style-type: none"> • For use with RT24005 Slip Yoke Eliminator Kit • For Vehicles with 2-6" Lifts: collapsed 16", extended 18.25" • Includes 3 Grease Fittings and instructions 	RT24002

Note: With 1310 (3.219" Width) Series U-Joints. If 94/95 YJ has 1330 Series U-Joint, also purchase Part # D35YOKEUBK.



SLIP YOKE ELIMINATOR & HEAVY-DUTY DRIVE SHAFT KIT

This Kit contains everything you need to convert the rear output of the NP231 transfer case to a fixed-style yoke. When paired with the provided propeller shaft, these Kits will result in an extremely strong, vibration free driveline that will provide you with years of worry free driving.

97-06 TJ WRANGLER w/o Unlimited Package

Description	Part #
Included in this kit is a Heavy-Duty 32-Spline Main Shaft, a Short Output Housing, a CV-Style Yoke, a Heavy Duty Drive Shaft, and all the necessary hardware.	RT24004

Note: With 1310 (3.219" Width) Series U-Joints. If 94/95 YJ has 1330 Series U-Joint, also purchase Part # D35YOKEUBK.



HIGH-PERFORMANCE BRAKE ROTORS SETS

High-Performance Brake Rotors Sets from RT Off-Road are designed for the most extreme abuse. These Brake Rotors were tested on: the steep descents in Moab, Utah; stop and go traffic in Boston, Massachusetts; and the long range treks in-between. Each Brake Rotor is machine slotted and cross-drilled to provide maximum cooling. This rapid cooling helps eliminate brake fade and potential warping. The design rapidly expels friction gases, debris, and water from the rotor and pad surface. You can expect greater braking response, increased performance, longer life, and a sporty new look. Includes left and right Rotors.

TJ WRANGLER

Year	Description	Part #
97-99	Front; OEM was 2 Piece Composite Rotor	RT31002
99-06	Front; OEM was Full Cast Type Rotor	RT31001



COMPLETE BRAKE KITS WITH DRILLED & SLOTTED ROTORS

High-Performance Brake Kits couple our cross-drilled and slotted rotors with brake pads and a hardware kit which includes such items as boots, springs, sleeves, and pins (depending on the kit.) Replacing the pins and boots on your calipers will ensure that they will function at peak performance alongside the rotors. Everything needed to maximize braking performance, all in one box.

TJ WRANGLER

Year	Description	Part #
97-99	Front; OEM was 2 Piece Composite Rotor	RT31013
99-06	Front; OEM was Full Cast Type Rotor	RT31012



RT31014

STAINLESS STEEL BRAKE LINE KITS

RT Off-Road Stainless Steel Brake Lines are designed for modified vehicles requiring additional length and performance. The additional length and stainless construction provides long lasting performance on modified vehicles. All Brake Lines are D.O.T. approved, 50 state legal. Each Kit includes stainless lines to replace the factory soft lines, mounting brackets, junctions blocks (if required), copper washers, and mounting hardware.

- Braided Stainless Steel Construction
- D.O.T. Approved
- Includes everything needed for installation

97-06 TJ WRANGLER

Description	Part #
Up to 6" Lift	RT31015



DISC BRAKE CONVERSION KITS

The RT Off-Road Disc Brake Conversion Kits will convert factory Dana 35 or Dana 44 rear axles from drum to disc brake. This is a must for vehicles with oversized tires and increased accessory weight. These Kits are designed for vehicles without ABS and include all hardware, emergency brake cables, and brake hoses needed for installation.

- Dana 35 or Dana 44 axles only
- Will not work on vehicles equipped with ABS
- Converts Rear Drum Brakes to Disc Brakes
- Includes: Rotors, Pads, Calipers, Backing Plates, Shoes, Brake Hoses, and Hardware



RT31045



RT31043

97-06 TJ WRANGLER

Description	Part #
Includes Parking Brake Cables	RT31006
Does not include Parking Brake Cables	RT31007
With slotted Rotors; includes Parking Brake Cables	RT31043
With Dana 44 Rear Axle; includes Parking Brake Cables	RT31045



RT31006

PARKING BRAKE CABLES FOR USE WITH RT31007

RT Off-Road Disc Brake Conversion Cables are designed specifically for our Disc Brake Conversion Kits. These Cables are designed to bolt directly in place of the old factory drum emergency brake cable. Their adjusted length will however operate the new Disc Brake Conversion E-Brake mechanism. Cables are sold individually and may be position specific.

03-06 TJ WRANGLER



52008904

52008905

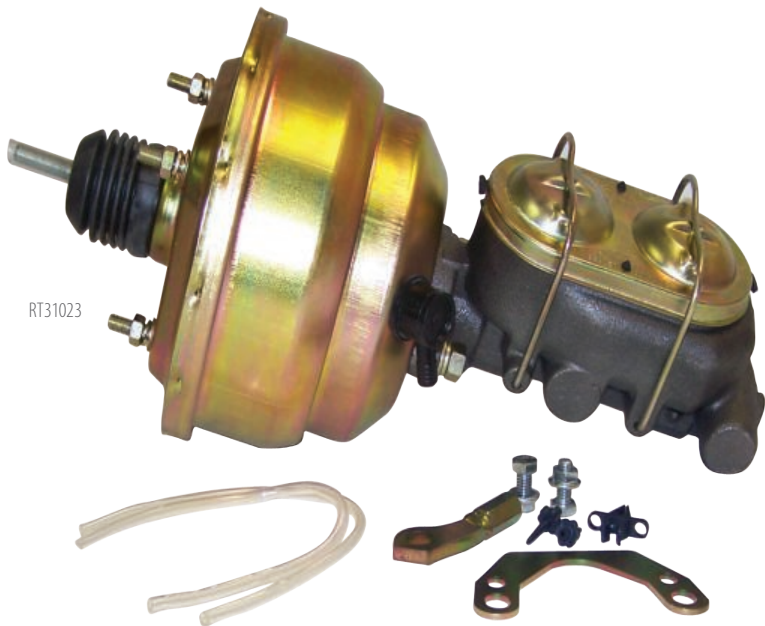
Description	Replaces Part #
Right-34.25"	52008904
Left-43.80"	52008905

Note: Will NOT work on Unlimited Models

HEAVY-DUTY DUAL DIAPHRAGM BRAKE BOOSTER & HIGH PRESSURE MASTER CYLINDER KITS

Replace rusty, leaky, and faulty Brake Boosters and Master Cylinders with a HD kit from RT Off-Road. Two performance level kits were designed to specifically cater to the vehicle's requirements. The larger bore Master Cylinders are designed for upgrades done to axles with larger brake calipers. The more moderate bore is designed for vehicles with factory brakes, disc brake upgrades, and vehicles that require more braking power. Each kit consists of a zinc-coated Brake Booster, Master Cylinder, bench bleeding kit, and installation instructions. Installation involves replacing the factory Brake Booster and Master Cylinder.

- Includes mounting bracket and adjustable push rod assembly where needed
- Includes installation instructions



97-06 TJ WRANGLER

Description	Part #
Aftermarket Axles; with 1-1/8" MC Bore Size; without ABS	RT31024
Stock Applications; with 1" MC Bore Size; without ABS	RT31023



HALOGEN LAMP CONVERSION KITS

The RT Off-Road Lamp Conversions are an upgrade for the conventional factory sealed beam headlamps. Included in the Headlight Conversion Kit are two halogen bulbs and two cast housings with clear glass lenses. RT Off-Road's Halogen Light Conversion Kit is D.O.T. and SAE compliant.

- Pair of 7" Rectangular or Round Assemblies
- H4 55/60W Bulbs
- Cast Housing
- Clear Glass Lens
- Meets DOT/SAE



97-06 TJ WRANGLER

Description	Part #
Lamps; 7" Round Assemblies	RT28006

CLEAR PARKING LAMPS & SIDEMARKER LAMPS

The RT Off-Road Crystal Clear Lighting Packages are a D.O.T. legal way to give the vehicle an all new look. These crystal clear Lenses come complete with amber Bulbs. The Bulbs and Lenses included in our kit will install directly into the factory wiring harness and body. Installation requires no modifications to the body and can be completed with basic hand tools.

97-06 TJ WRANGLER

Description	Part #
2 Parking Lamps and 2 Amber Bulbs	RT28016
2 Sidemarkers Lamps and 2 Amber Bulbs	RT28017
2 Parking Lamps, 2 Sidemarkers, and 4 Amber bulbs	RT28015



7" LED HEADLIGHTS

NEW

97-06 TJ WRANGLER

Description	Part #
<ul style="list-style-type: none"> • 7" Headlights • Each pair outputs 12,000LM • 5,000K color temperature • CNC 1" 6061 aluminum 	RT28039



The 15 Philips® LEDs in each Lamp produce 6000 lumens at only 45 watts, resulting in an impressive amount of light without the need to upgrade the charging system of the vehicle. Each Headlamp features a matte black bezel with a polycarbonate lens and a 50,000 hour LED bulb life which means that these Lamps are designed to last, even in the harshest conditions. Also featured in each Headlamp is a daytime running light strip that requires additional wiring to function. Included is a pair of LED Headlamps with H4 connectors designed to replace OEM Headlamps.

97-06 TJ WRANGLER

Description	Part #
w/ Amber Halo Ring; provides 4,000 lumens on high beams. An additional feature is the switchback LED halo ring for daytime running lights and parking/turn signal lights (additional wiring necessary).	RT28105
w/o Halo Ring; Provides 3,200 lumens on high beam.	RT28104

Upgrade the cosmetics and output of the factory headlights on any TJ with a LED Headlight Kit. These 7" round lights bolt in place of the factory dim, yellow headlights for a more modern look and a sharper, brighter light output.

- 6,000K Color from 8 Osram LEDs
- 2,400 Lumen Low Beams
- Includes H4 Socket & H4 to H3 Adapter Harness
- Anti Flicker Module Included



RT28105

LED MINIATURE BULBS - PAIR



UNIVERSAL

Description	Part #	
194	Amber	RT28062
	Cool White	RT28063
	Red	RT28064
3157	Amber	RT28065
	Red	RT28066
	White	RT28067

Description	Part #	
921	Red	RT28068
	White	RT28069
1157	Amber	RT28070
	Red	RT28071
	White	RT28072



RT28063



RT28067



RT28069



RT28072

LED FOG LAMP BULB - PAIR



RT28046

UNIVERSAL

Description	Part #
H3	RT28046

NEW

TRAIL TAIL LED LIGHTS



Each Tail Light is 1" thick and is designed to be bolt-on for TJ Wranglers. Constructed of plastic and features 148 LEDs for parking, side marker, brake, and reverse lights. Wiring is required as the Tail Lights are shipped with terminated wires. Included are a pair of Tail Lights with stainless steel hardware. An LED flasher

or load resistor is required to eliminate hyper flash and bulb out warnings. (See Page 37 for LED Flasher, Part # RT28101)

97-06 TJ WRANGLER

Description	Part #
2 Waterproof Tail Lights with black bezels and hardware	RT28099

LED BLOCK LAMPS

- Fully potted to withstand the rigors of outdoor use
- Universal design — Easy to mount anywhere
- 5,000K Color Temperature



UNIVERSAL

Description	Part #
Single 4" Lamp with Wiring Harnesses	RT28030
Dual Light Wiring Harness for Mounted Lights	RT28031

97-06 TJ WRANGLER

Description	Part #
4" Lamps with Wiring Harness & Windshield Light Mount Brackets	RT28073



UNIVERSAL

Description	Part #
License Plate Bracket with 10" LED Bar	RT28035



LED HEADLIGHT BULB KITS - PAIR

UNIVERSAL

Description	Part #
H4	RT28051



NEW**LED CUBE LIGHTS**

RT28085



RT28086

These Durable 3" Cube Lights are made of a die cast aluminum body with a Polycarbonate Lens. Each Cube features 4 5-watt Philips® LEDs that produces 1236 lumens.

- Universal mounting brackets with stainless steel hardware included
- Includes wiring pigtail

UNIVERSAL

Description	Part #
3" Cube Flood Light	RT28085
3" Cube Spot Light	RT28086

NEW**LED LIGHT BARS**

RT28083



The body of each Lamp is constructed of durable die cast aluminum with a polycarbonate lens. The Philips® LEDs in each Lamp produce 180 lumens at 3 watts, resulting in an impressive amount of light without the need to upgrade the charging system of the vehicle.

- Matte black anodization
- An IP86 rating, 50,000 hour LED bulb life
- Includes universal mounting brackets with stainless steel hardware and full wiring harness

UNIVERSAL

Description	Part #
21.5" x 3.5" x 3"; 40 LEDs; 7,200 Lumens	RT28083
51.5" x 3.5" x 3"; 96 LEDs; 17,280 Lumens	RT28084



RT28084

LED LICENSE PLATE BOLT LIGHT SET**NEW**

Cleanly and conveniently illuminate a remote mounted license plate without adding additional brackets with RT Off-Road's LED License Plate Bolt Light Set. Included are a pair of stainless steel bolts with 2 LEDs on the head of each bolt. Requires wiring as they ship with terminated wires.

UNIVERSAL

Description	Part #
LED License Plate Bolt Light Set	RT28102

**LED FLASHER****NEW****01–06 TJ WRANGLER**

Description	Part #
5-Pin LED Flasher; Plug-and-Play solution to eliminate hyper flash	RT28101

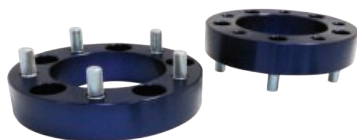


WHEEL SPACER KITS

Achieve an aggressive look and improved stability with a Wheel Spacer Kit from RT Off-Road. These 1.5" thick Spacers are an affordable option to add additional backspacing or expand the wheel options on a specific vehicle. Each Wheel Spacer starts as a 6061 T6 Aluminum blank and is then machined to be hub-centric and wheel-centric to ensure proper fitment. They are finished in anodized blue or black to ensure a long-lasting life. Each Kit is sold complete with 10 lug nuts, grade 8 studs, and thread locking compound.

97-06 TJ WRANGLER

Color	Description	Part #
Blue	5 on 4.5" Bolt Pattern	RT32003
Black	5 on 4.5" Bolt Pattern	RT32012



WHEEL ADAPTERS

RT Off-Road's Wheel Adapter Kits are a perfect solution for anyone wanting to expand their wheel choice. They allow the use of any 5 on 5" wheel to be installed on any vehicle with a 5 on 4.5" bolt pattern (example JK wheels on a TJ). They start as a 1.5" thick piece 6061 T6 aluminum. They are then machined and anodized blue or black for corrosion resistance. From there, Grade 8 studs are pressed into the Adapters. Each set includes 2 Spacers, 10 Lug Nuts, and thread locking compound.

97-06 TJ WRANGLER

Color	Description	Part #
Blue	5 on 4.5" to 5" on 5" Adapters	RT32001
	5 on 4.5" to 5" on 5.5" Adapters	RT32002
Black	5 on 4.5" to 5" on 5" Adapters	RT32010
	5 on 4.5" to 5" on 5.5" Adapters	RT32011



NEW REPLACEMENT WHEEL STUD FOR WHEEL SPACERS & ADAPTERS



97-06 TJ WRANGLER

Description	Part #
Grade 8 Steel (M10.9)	RT32017

D-RING AND RECEIVER KITS

RT Off-Road's Recovery Accessories are a high quality, high value, collection of products. Designed and produced to ensure a strong, safe, and durable point to recover or couple. All metal Recovery Products are either powder coated black or galvanized steel to protect the product for years of use.

All Receivers are 2" and D-Rings are 3/4" unless otherwise stated.



Description	Part #
Stainless Steel D-Ring	RT33002
Galvanized Steel D-Ring	RT33001
5/8" Stainless Steel D-Ring	RT33003
1 Receiver and 3 D-Rings	RT33011
1 Receiver and 2 D-Rings	RT33010
1 Receiver and 1 D-Ring	RT33009
2 D-Rings	RT33005

D-RING AND RECEIVER KITS

Description	Part #
1 Rubber Spacer	RT33007
2 Rubber Spacers	RT33008
1 Stainless Steel D-Ring with spacers	RT33004
1 Receiver and 1 D-Ring with spacers	RT33012
2 D-Rings with spacers	RT33006



VEHICLE RECOVERY KIT

The RT Off-Road Vehicle Recovery Kit is the most convenient collection of recovery parts available. This Kit contains everything needed to complete a complex winching operation, as well as, individual items that will aid in simple situations. All items are stowed away in a heavy-duty polyester bag. Be prepared and have the right tools ready for vehicle recovery.

UNIVERSAL

Description	Part #
Complete Vehicle Recovery Kit; Includes: Recovery Strap, Tree Saver, Snatch Block, Two D-Rings, Winch Line Dampener, Gloves, and Recovery Bag	RT33013
Recovery Leather-Palmed Gloves	RT33020
Snatch Block Kit	RT33017
Recovery Tow Strap (2" x 30'); Rated for 20,000 lbs. and features leather-wrapped ends	RT33018
Tree Saver Strap (3" x 6'); Rated for 30,000 lbs. and is used to protect the well-being of trees when recovering with a winch	RT33019
Recovery Storage Bag; Oversized to accommodate the storage of additional accessories	RT33022



TRIFOLD SHOVEL

RT Off-Road's Tri-Fold Shovel is a great tool to have available while trying to recover a stuck vehicle. The durable black powder coat finish will keep it rust-free through years of use. It measures 9" long when folded and 23" when extended. No tools are necessary to collapse or extend it. A black nylon storage bag is included for safe stowage.

UNIVERSAL

Description	Part #
Trifold Shovel	RT33016





JERRY CANS

Description	Part #
Red—5.4 gallon metal can include a plastic pour spout, vent, and a travel cap. DOT COMPLIANT, UN approved. US Forest Service accepted.	RT26010
Olive—5.4 gallon metal can include a plastic pour spout, vent, and a travel cap. DOT COMPLIANT, UN approved. US Forest Service accepted.	RT26009

Note: Universal Mount, Part #RT26012 (Zinc Finish and Lockable) sold separately.



RT26009

REPLACEMENT PARTS FOR JERRY CANS

Description	Part #
Cap	RT26011
Vent Cap	RT26014
Spout	RT26013



RT26011

RT26014



RT26013

JERRY CAN MOUNTS

Description	Part #
Mounting Bracket	RT26012
Mount with strap	RT26088



RT26012

NEW



RT26088



BLUE WATER CAN

RT Off-Road's Blue Water Can is constructed of powder coated steel with a food-grade liner to prevent contamination of the liquid inside. The top features an O-ring and a lock pin to prevent leakage even in the most intense, off-camber situations.

Description	Part #
<ul style="list-style-type: none"> Powder Coated Blue Food-Grade Liner O-Ring Cap w/ Locking Pin Will work with traditional Jerry Can mounts 	RT26020



TRAIL CAN UTILITY TOOL BOX



Description

- The same finish and dimensions as a standard 5 gallon Jerry can (18"x13"x6").
- Steel construction with a durable red powder coated finish.
- Contains two removable drawers, one lift out tray, and built in lock and key.

Part

RT26019

FIRE EXTINGUISHER HOLDER



Description

Handy Fire Extinguisher Holder attaches to any roll bar or sports bar up to 3" diameter. Holds a 3 lb. extinguisher (not included). Attaches with adjustable hook and loop straps. Available in red only.

Part

RT27005



FLASHLIGHT HOLDER



Description

Hook and loop straps are used to affix to any roll bar up to 3". Uses a single hook and loop strap to quickly remove any D-Cell flashlight.

Part

RT27043

DRINK HOLDER SET



Description

Includes a pair of insulated Drink Holders designed to hold a variety of bottles and can sizes. They mount via hook and loop straps to any vehicle with roll bars up to 3"

Part

RT27044

GRAB BAR SETS

Description	Part #
-------------	--------

Deluxe Handles with molded rubber grips, heavy-duty vinyl straps, three-loop design, and heavy-duty hook and loop straps.	RT27007
---	---------



Description	Part #
-------------	--------

Heavy-Duty Handles with molded rubber grips, triple sewn nylon straps, three loop design, hook and loop straps, and a metal buckle for strength and durability.	RT27048
---	---------



Description	Part #
-------------	--------

Economy Handles with soft vinyl foam grips and adjustable two-loop design.	RT27006
--	---------



DOOR GRAB HANDLES



97-06 TJ WRANGLER

Description	Part #
-------------	--------

- | | |
|--|---------|
| <ul style="list-style-type: none"> • Includes 2 Handles and tool • Black nylon / rubber construction | RT27017 |
|--|---------|

DELUXE LOCKING CENTER CONSOLES

Constructed of 16ga steel and is finished in a rich hammer finish gray powder coat, this locking console compartment lid features stainless steel hinges and a padded armrest covered in marine-grade vinyl.

97-06 TJ WRANGLER

Description	Part #
Includes 1 cup holder. Installed in each console are 3 rocker switches, 1 power socket, 2 round switches, 3 fuse holders, and waterproof LED lighting; all which are pre-wired. Some drilling required. Uses OE mounting hardware. Includes keys.	RT27050



ARMRESTS

97-06 TJ WRANGLER



Description	Part #
Replacement Center Console Armrest Pad for RT27050 Center Console; Finished in a gray Marine-Grade Vinyl	RT27054

12V POWER SOCKET



UNIVERSAL

Description	Part #
Marine-Grade; Rated at 20 AMPs	RT29008

ROCK KEY BLANKS

These rugged looking Keys are licensed replacements for stock Jeep® keys. They compliment the Jeep®'s famous "trail-rated" capabilities.



TJ WRANGLER

Years	Description	Color	Part #
98-06	Transponder	Gray	RT27011
97-06	Non-Transponder	Gray	RT27013

SWITCH PLATES

RT Off-Road's Switch Plates are the perfect solution to adding switches to any application. The plate measures 8" x 3", the ideal dimensions for a single DIN radio slot. They're constructed of stainless steel with a mounting hole at each corner. Mounting hardware is not included.

UNIVERSAL

Description	Part #
3 Rocker Switches; Each plate ships with three 20A Carling Contura II SPST Switches pre-installed	RT29006
1 Power Socket and 2 Rocker Switches; Each plate ships with two 20A Carling Contura II SPST Switches and a marine-grade power socket pre-installed	RT29007
2 Power Sockets; Each plate ships with 2 marine-grade power sockets pre-installed.	RT29009



FUSEHOLDER



UNIVERSAL

Description	Part #
Panel Mount Fuse Holder for ATO Fuses; Ships with a loop of wire	RT29011

ROCKER SWITCHES



RT29010



RT29012

UNIVERSAL

Description	Part #
16A Round Rocker Switch (SPST)	RT29010
20A Rocker Switch (SPST)	RT29012

STORAGE DASH TRAYS



97-06 TJ WRANGLER

Description	Part #
<ul style="list-style-type: none"> • Replaces the existing panel on top of the dash and perfectly matches the original dash color and finish. • Accommodates cell phones, keys, navigation, loose change, sunglasses, and more. • No drilling required. 	RT27016

LED UTILITY LIGHT



Description	Part #
Universal application. Attaches to roll bar with hook and loop straps. Light also has a magnetic strip that will attach to metal when removed from the hook and loop strap. Takes 3 AAA batteries, not included.	RT28007

CLINOMETERS



RT27003

RT Off-Road's Clinometers are an awesome way of ensuring that passengers are safer while off-road. They include a roll gauge which will tell how off-camber the vehicle is at all times, along with a pitch gauge which will show how steep of an incline or decline is being conquered. These Clinometers are easy to install and adjust using the included adhesive backed base. Fits all vehicles.

Description	Part #
Roll and Pitch Gauge with CJ Graphics	RT27003
Roll, Pitch Gauge and Compass with JK Wrangler™ Graphics	RT27045

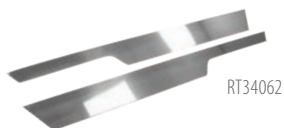


RT27045

ROCKER PANEL SIDE PLATE SETS

97–06 TJ WRANGLER w/o Unlimited Package

Description	Part #
Stainless Steel; Includes Left and Right Panel	RT34062



BUMPER OVERLAYS

Cover a dented or rusty factory front bumper with an RT Off-Road Stainless Steel Front Bumper Overlay. Each Bumper Overlay is manufactured of stainless steel and then polished to a brilliant finish. Bumper Overlay includes all the bolt holes necessary to mount it to the vehicle and requires no drilling.



97–06 TJ WRANGLER

Description	Part #
Front	RT34052

BUMPERS

Replace a dented or rusty factory bumper with an RT Off-Road Stainless Steel Bumper. Each Bumper is manufactured of stainless steel and then polished to a brilliant finish. Bumper includes all the bolt holes necessary to mount it to the vehicle and requires no drilling. They also include the same factory hole locations to mount the factory bumper end caps.

97–06 TJ WRANGLER

Description	Part #
Front Stainless Steel Bumper	RT34051
Rear Stainless Steel Bumper	RT20022
Rear Chrome Bumper; USA Only	RT20012



FRONT FRAME COVERS



97-06 TJ WRANGLER

Description	Part #
Stainless Steel	RT34055

ENTRY GUARD SETS



97-06 TJ WRANGLER

Description	Part #
Stainless Steel	RT34053
Black	RT26036

FUEL DOORS



97-06 TJ WRANGLER

Color	Lock	Part #
Black	Non-Locking	RT26037
	Locking	RT26082
Polished Aluminum	Non-Locking	RT26038
	Locking	RT26039

FUEL NECK PROTECTORS

97-06 TJ WRANGLER

Description	Part #
Stainless Steel	RT34056



DOOR HINGE SETS

RT Off-Road's Stainless Steel products offer optimal fit and finish while maintaining superior function. All Brackets, Hinges, and hardware are produced from corrosion resistant stainless steel. Each part is available in either a polished stainless steel or a rich black powder coat.



RT26003

97-06 TJ WRANGLER

Color	Description	Part #
Stainless Steel	4 Hinges; Full or Half Door	RT34009
Black Stainless Steel	4 Hinges; Full or Half Door	RT34094
Black	4 Hinges; Full or Half Door	RT26003



RT34009

LOWER DOOR HINGE BRACKETS

97-06 TJ WRANGLER

Color	Part #
Stainless Steel	RT34007
Black Stainless Steel	RT34092



RT34007

TAILGATE HINGE SETS

Replace those old, rusty tailgate hinges with a set from RT Off-Road. Each Set is manufactured out of stainless steel and then polished to a brilliant finish. Stainless steel hardware is included.



RT34065

97-06 TJ WRANGLER

Color	Part #
Stainless Steel	RT34065
Black Stainless Steel	RT26081
Black	RT34101

HOOD HINGE SETS



RT34057

97-06 TJ WRANGLER

Color	Part #
Stainless Steel	RT34057
Black Stainless Steel	RT34091
Black	RT26045

HOOD VENT COVERS

TJ WRANGLER

Year	Color	Part #
1997	Stainless Steel	RT34060
98-06	Stainless Steel	RT34061

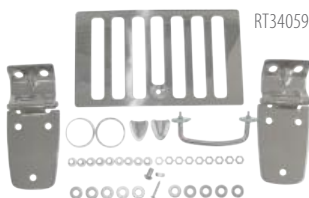


RT34060



RT34061

COMPLETE HOOD SETS



RT34059

TJ WRANGLER

Year	Color	Part #
1997	Stainless Steel	RT34058
98-06	Stainless Steel	RT34059

BUG SCREENS

97-06 TJ WRANGLER

Color	Part #
Stainless Steel	RT34050
Black	RT34085



HOOD LOCK KITS

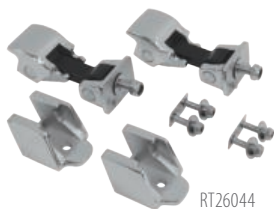
TJ WRANGLER

Years	Color	Description	Part #
1997	Black	Hood lock; complete system installs easily to vehicle's security latch; lock assembly	RT26070
98-06	Silver	comes complete with two keys.	RT26071



RT26071

HOOD CATCH KITS



Improve the look of any Jeep® with RT Off-Road's Hood Catch Kit. This Kit is designed to bolt in place of the OE Hood Catches. All necessary hardware is included for installation.

97-06 TJ WRANGLER

Color	Description	Part #
Stainless Steel	Pair	RT26044

GRILLE INSERTS

Complete the factory grille's look with RT Off-Road's Grille Inserts. Every Grille Insert set includes seven primary inserts that either snap or bolt into place. All kits are sold complete and include everything you need for installation.

97-06 TJ WRANGLER

Color	Part #
Chrome Plastic	RT26041
Black	RT26043

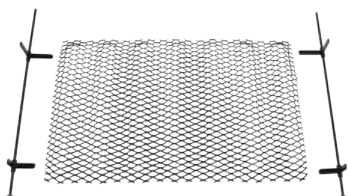


3D GRILLE INSERTS

97-06 TJ WRANGLER

Color	Part #
Black 3D	RT26079
Black 3D with Polished Highlights	RT26080

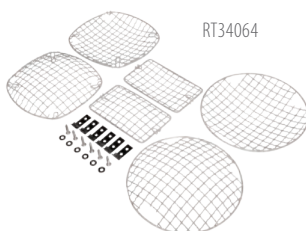
- Protects the Radiator
- Steel Wire Mesh Construction and Gloss Black Powder Coat Finish with Polished Highlights
- Brackets and Hardware Included; mounts to the rear of the OE grille
- 3D Design



STONE GUARD SETS

97-06 TJ WRANGLER

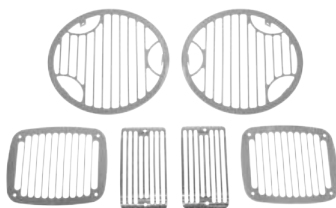
Color	Part #
Stainless Steel	RT34064
Chrome	RT26047



BILLET STYLE STONE GUARD SETS

97-06 TJ WRANGLER

Color	Part #
Stainless Steel	RT34063
Black	RT26048

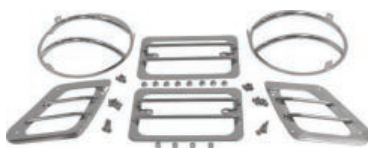


RT34063

EURO GUARDS

97-06 TJ WRANGLER

Color	Part #
<ul style="list-style-type: none"> • Stainless Steel • 6 Piece Kit For Front Lamps • Includes Guards For: Headlamps, Parking Lamps, and Side Marker Lamps 	RT34054



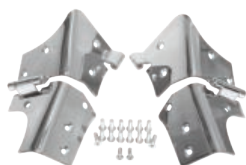
TAIL LIGHT GUARD SETS

97-06 TJ WRANGLER

Color	Style	Part #
Stainless Steel	Euro	RT34090
Black	Euro	RT26017
Titanium	Euro	RT34098



WINDSHIELD HINGE SETS



97-06 TJ WRANGLER

Color	Part #
Stainless Steel	RT34066

LIGHT BARS



97-06 TJ WRANGLER

Color	Part #
Stainless Steel	RT28014

BILLET SHIFT KNOBS

RT Off-Road's polished billet aluminum Shift Knobs offer optimal fit and finish while maintaining superior function. All our Shift Knobs and hardware are produced from a corrosion resistant aluminum that is polished to a mirror finish. The Aluminum Knob is installed in place of the factory knob and includes all hardware needed for installation.

97-06 TJ WRANGLER

Color	Description	Part #
Aluminum	NP231 Shift Pattern, M10 X 1.5	RT24009
Aluminum	5-Speed Shift Pattern, 3/8" - 16	RT24008
Aluminum	5-Speed Shift Pattern, M10 X 1.5	RT24007



RT24007

WINDSHIELD TIE DOWN KITS

- Highly polished, corrosion resistant finish
- Includes all hardware needed for installation

97–06 TJ WRANGLER

Color	Description	Part #
Stainless Steel	Includes Two Windshield Plastic Bumper Bezels, Two Plastic Wiper Nozzle Bezels, and One Stainless Steel Footman Loop. Bezels and Wiper Nozzles attach with double-sided tape.	RT34068



WINDSHIELD LIGHT MOUNT BRACKET SETS

Easily add auxiliary lights with RT Off-Road's Windshield Light Mount Brackets. Brackets mount to the vehicle using existing holes in the windshield frame. Each set is finished in a rich gloss black powder coat or polished stainless steel. Kit includes all hardware needed for installation.



RT34067



RT28001

97–06 TJ WRANGLER

Color	Part #
Stainless Steel	RT34067
Black	RT28001

MIRROR RELOCATION BRACKET SETS

Remove the doors from a Jeep® without removing mirrors with RT Off-Road's Mirror Relocation Brackets. In this kit is a pair of Brackets that install into existing holes in the windshield frame. Both the Brackets and the inserts are finished in a rich black powder coat or polished stainless steel.

TJ WRANGLER

Years	Color	Part #
97–02	Stainless Steel	RT30015
	Black	RT30013
03–06	Black	RT30014



RT30015

MIRRORS

97-06 TJ WRANGLER

Color	Description	Replaces Part #
Chrome	Door Mounted Set, 97-02 Style	82200834CK
Stainless Steel	Side Windshield Hinge Mounted Set	RT30011
Black	Side Windshield Hinge Mounted Set	RT30012



82200834CK



RT30012

TRAIL MIRRORS



97-06 TJ WRANGLER

Description	Replaces Part #
Two black powder coated 8"x6" Mirrors, two Arms, and all hardware to mount	RT30005
One black powder coated 8"x6" Mirror, one Arm, and all hardware to mount	RT30004



RT30005

QUICK RELEASE MIRRORS



RT30021



RT30022

RT Off-Road's Quick Release Mirrors are a great solution for those who want to drive without doors, but require side view mirrors. The gloss black powder coated brackets mount directly to the side of the upper windshield hinge. The included mirror arms and heads attach to the brackets with a thumb screw to allow for a quick release. Each Kit includes two mirrors, two arms, two brackets, and all hardware needed to mount it to the vehicle.



RT30020

97-06 TJ WRANGLER

Description	Replaces Part #
6" Round Mirrors, two Arms, two Brackets, all hardware to mount	RT30020
6" Square Mirrors, two Arms, two Brackets, all hardware to mount	RT30021
Replacement Mirror Heads for RT30020; Round	RT30022

ALUMINUM VALVE COVER KITS

RT Off-Road's Engine Valve Cover Kits are a direct replacement upgrade for factory valve covers. Each Valve Cover is constructed out of aluminum. Available in an assortment of colors. Increased internal clearance allows for the use of oversized camshafts and high clearance rocker arms. Each Kit includes gasket, grommets, and additional installation hardware.

- Durable finish with polished fins and engine script
- Includes Valve Cover, Gasket, Oil Cap, Grommets, and hardware
- Some modification may be required



RT35002

RT35003

RT35001

97-04 TJ WRANGLER with 4.0L Engine

Color	Part #
Red	RT35002
Yellow	RT35003
Black	RT35001

THROTTLE BODY SPACER KITS

Improve the performance and fuel economy in any Jeep® vehicle with an RT Off-Road Throttle Body Spacer Kit. The heart of this Kit is a black anodized aluminum spacer that is designed to provide a smoother, faster, and more dense air charge resulting in an increase in horsepower, torque, and fuel economy. Also included in the Kit is a gasket and mounting hardware. This Kit works with both factory and aftermarket air intake systems.

97-06 TJ WRANGLER

Engine	Part #
2.5L, 4.0L	RT35008



STAINLESS STEEL HEADER KIT

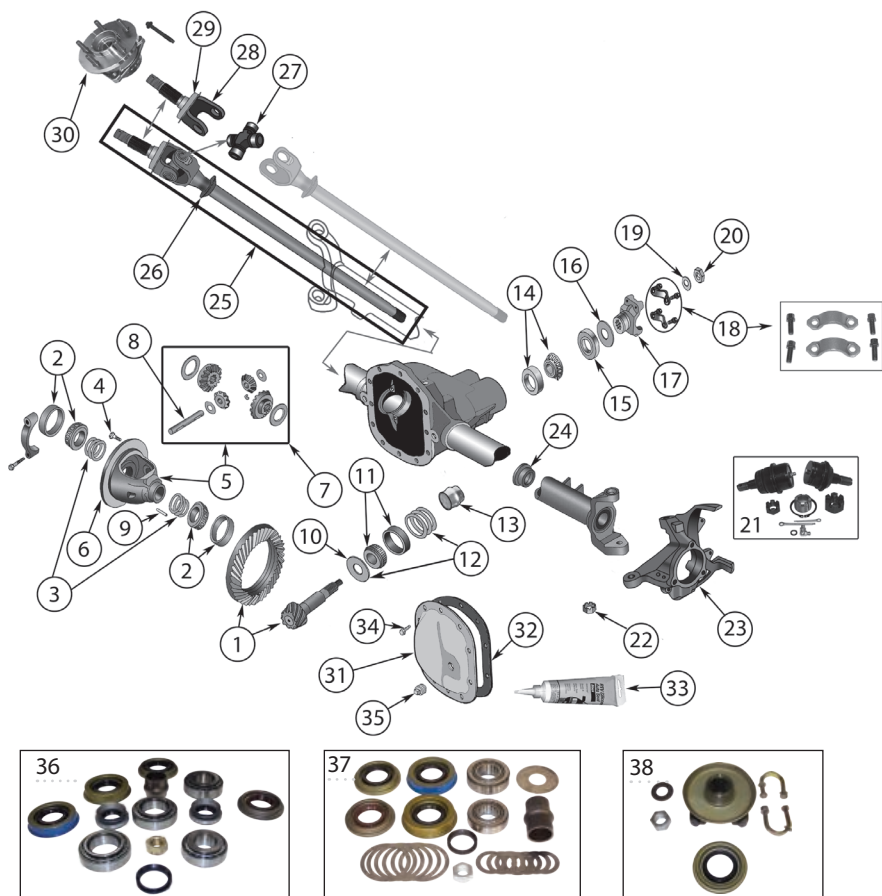
- A pair of 1/2" thick zinc-coated flanges
- Primaries are manufactured of 1-1/2" diameter polished, mandrel-bent 304 stainless steel tubing. They meet at a 6-to-1 polished 304 stainless steel collector, which improves exhaust flow through the entire operating range of the engine.
- The primaries are fully welded to the flanges and collector, resulting in an extremely strong and leak-free Header.
- The outlet of the collector is made of polished, mandrel-bent 304 stainless steel with a 2-1/2" diameter.
- Increased horsepower, torque, throttle response, and fuel mileage along with years of worry-free operation.
- Installation is straight forward with no cutting, grinding, or welding needed.



RT36001

97-99 TJ WRANGLER w/ 4.0L Engine

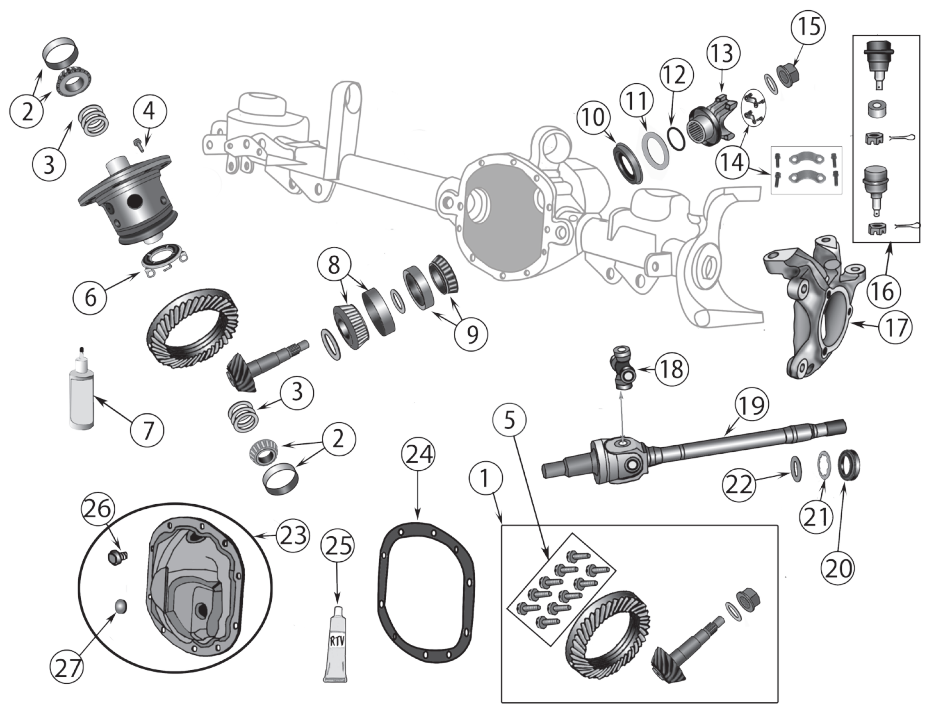
Description	Part #
Stainless Steel Kit	RT36001
Stainless Steel; Header Only	RT36002



Item #	Description	Years	Comments	Ratio	Replaces Part #
1	Ring & Pinion Set	97/00	Until 10/1/00	3.07	4864853
		00/06	After 10/1/00	3.07	5072997AB
		97/00	Until 10/1/00	3.55	4864906
		97/00	Until 10/1/00	3.73	4864843
		00/06	After 10/1/00	3.73	5073246AA
		97/00	Until 10/1/00	4.10	4864913
		00/06	After 10/1/00	4.10	5073247AA
		00/06	After 10/1/00	4.56	5086617AA
		97/06		4.56	D30-456TJ
		97/06		4.88	D30-488TJ
2	Bearing Set, Carrier	97/06	Includes 2 Bearings & 2 Cups	All	J8126500
3	Shim Set, Carrier	97/06		All	83500191
4	Bolt, Ring Gear	97/06	Each; 10 Required	All	J0649454
		97/06	Includes 10 Bolts	All	4720891
5	Case Assembly, Differential	97/06	Includes Gear Set	3.55 & Lower	5252582
		97/06	Includes Gear Set	3.73 & Higher	5252590

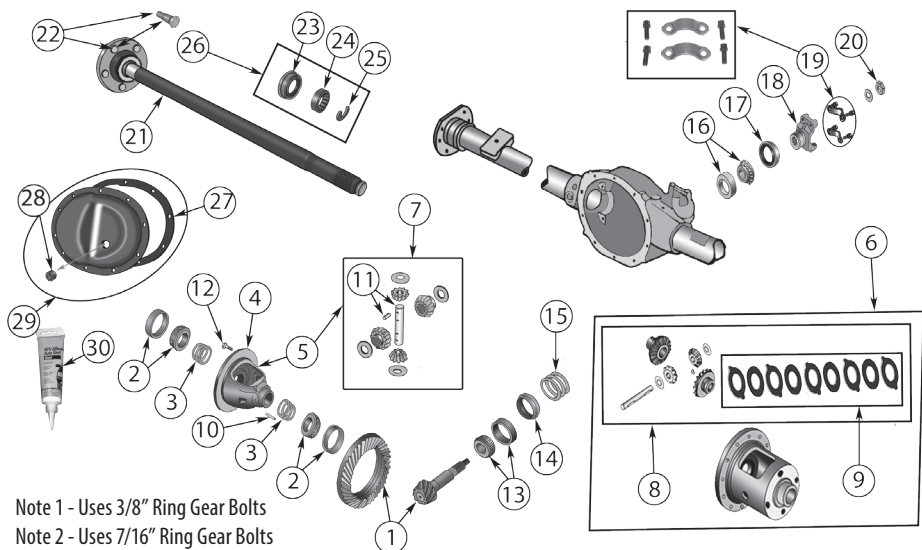
Dana 30 Front Axle

Item #	Description	Years	Comments	Ratio	Replaces Part #
6	Case, Differential	97/06	Less Gear Set; Includes 3, 4, 9, 32	3.55 & Lower	J8126515
		97/06	Less Gear Set; Includes 3, 4, 9, 32	3.73 & Higher	J8126496
7	Gear Set, Differential	97/06		All	5252591
8	Shaft, Differential	97/06		All	5003840AA
9	Pin, Differential Shaft	97/06		All	J0636360
10	Slinger, Oil	97/06	Inner	All	Incl. in # 12
11	Bearing Set, Pinion	97/06	Inner	All	J8126499
12	Shim Set, Pinion	97/06	Inner, Includes Slinger	All	4720862
13	Spacer, Crush	97/06		All	4864845
14	Bearing Set, Pinion	97/06	Outer	All	5252508
15	Seal, Pinion	97/01	Non-Flanged	All	83503390
		01/06	Flanged	All	5072473AA
16	Slinger, Outer	97/06		All	J0636566
17	Yoke, Axle	97/06		All	83503388
18	Strap & Bolt Kit, U-Joint	97/06	Hex Head Bolts	All	4006698K
		97/06	12-Point Head Bolts	All	4006928K
19	Washer, Pinion Nut	97/06		All	J4004913
20	Nut, Pinion	97/00	Until 10/1/00; Non-Flanged	All	J0801367
		00/06	After 10/1/00; Flanged	All	5017755AA
21	Ball Joint Kit	97/06	Includes 1 Upper & 1 Lower w/ Hardware	All	83500202
22	Nut, Lower Ball Joint	97/06	Left or Right	All	J8123318
23	Knuckle, Steering	97/06	Right	All	52067576
		97/06	Left	All	52067577
24	Seal, Axle Shaft	97/06	Inner, Left or Right	All	J8121781
25	Axle Shaft Assembly	97/06	Left, w/o ABS	All	4874303
		97/06	Left, w/ ABS	All	4874307
		97/06	Right, w/o ABS	All	4874302
		97/06	Right, w/ ABS	All	4874306
26	Slinger, Inner Axle Shaft	97/06	Plastic	All	46849
27	U-Joint, Axle Shaft	97/06		All	J8126638
		97/06	Spicer	All	8126638SP
28	Shaft, Outer	97/06	w/o ABS	All	4636059
		97/06	w/ ABS	All	4713190
29	Slinger, Outer Axle Shaft	97/06	Left or Right, w/o ABS	All	83500201
30	Hub Assembly	97/99	w/ 2-Piece Composite Rotor	All	53007449
		99/06	w/ 1-Piece Cast Rotor	All	53007449AC
31	Differential Cover	97/06	Includes Bolts & Fill Plug	All	4713451
32	Gasket, Differential Cover	97/06	Paper	All	J8120360
33	Sealant, RTV	97/06		All	J8993317
34	Bolt, Differential Cover	97/06	10 Required	All	J0273573
35	Plug, Differential Cover	97/06	1/2"-14	All	J4004751
36	Bearing & Seal Kit	97/06	Includes #s 2, 11, 13, 14, 15, 20, 24	All	D30LMASKIT
37	Pinion Bearing Kit	97/06	Includes #s 10, 11, 12, 13, 14, 15, 20	All	D30LPBK
38	U-Bolt Yoke Kit	97/06	Includes Yoke, Seal, Nut, & U-Bolts	All	D3044YOKEUBK



Dana 44 Front Axle

Item #	Description	Years	Comments	Ratio	Replaces Part #
1	Ring & Pinion Set	03/06		4.10	5127180AA
2	Bearing Set, Carrier	03/06	Includes 2 Bearings & 2 Cups	All	J8124071
3	Shim Kit, Carrier	03/06		All	5093047AA
4	Bolt, Ring Gear	03/06	Each; 3/8"-24 X .81"	All	J0649454
5	Bolt Kit, Ring Gear	03/06	Includes 10 Bolts	All	4720891
6	Actuator, Axle Locker	03/06		All	52104611AA
7	Additive, Limited Slip	03/06		All	4318060AB
8	Bearing Set, Pinion	03/06	Inner	All	J8124051
9	Bearing Set, Pinion	03/06	Outer	All	J8124052
10	Seal, Pinion	03/06		All	5066446AA
11	Slinger, Pinion	03/06	Outer	All	J0636566
12	O-Ring, Pinion Flange	03/06	On Hub of Yoke	All	5012453AA
13	Yoke, Axle	03/06		All	4797689
14	Strap & Bolt Kit, U-Joint	03/06	Hex Head Bolts	All	4006698K
		03/06	12-Point Head Bolts	All	4006928K
15	Nut, Pinion	03/06	Flanged	All	5017755AA
16	Ball Joint Set	03/06	Includes 1 Upper & 1 Lower w/ Hardware	All	83500202
17	Knuckle, Steering	03/06	Right, LHD Only	All	52067576
		03/06	Left, LHD Only	All	52067577
18	U-Joint, Axle Shaft	03/06	Left or Right	All	J8126638
		03/06	Left or Right; Spicer	All	8126638SP
19	Axle Shaft Assembly	03/06	Right	All	5083666AB
		03/06	Left	All	5083667AB
20	Seal, Axle Shaft	03/06		All	5014852AB
21	Guide, Axle Shaft	03/06	Left or Right	All	68002412AA
22	Slinger, Inner Axle Shaft	03/06		All	5083669AA
23	Differential Cover	03/06	Includes Bolts & Fill Plug	All	5083661AA
24	Gasket, Differential Cover	03/06	Paper	All	J8122409
25	Sealant, RTV	03/06		All	J8993317
26	Bolt, Differential Cover	03/06	3/8" x 18 x .625"	All	J0273573
27	Plug, Differential Cover	03/06		All	3640792



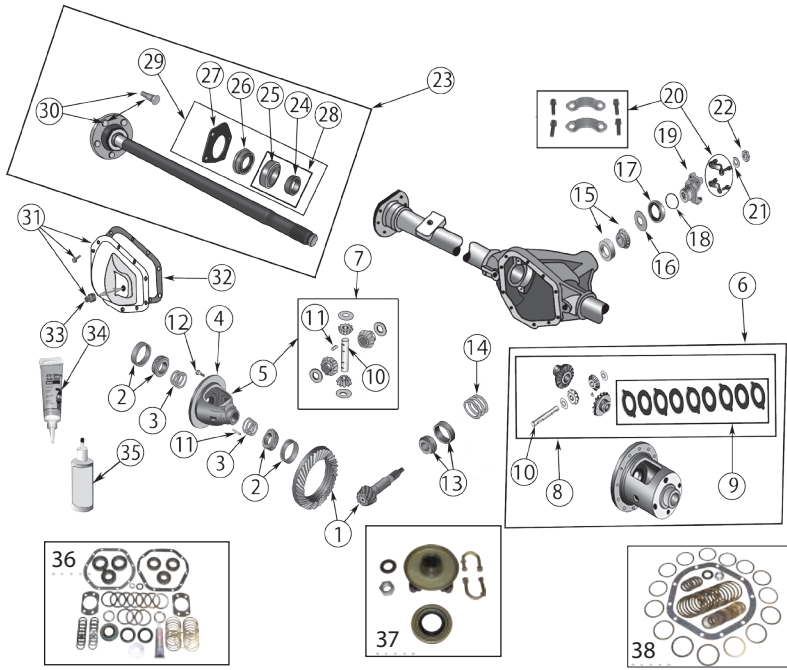
Note 1 - Uses 3/8" Ring Gear Bolts
Note 2 - Uses 7/16" Ring Gear Bolts



Item #	Description	Years	Comments	Ratio	Includes	Replaces Part #
1	Ring & Pinion	97/00	Until 10/1/00; See Note 1	3.07 (43-14)	1	83505472
		97/00	Until 10/1/00; See Note 1	4.11 (37-9)	1	83504938
		97/00	Until 10/1/00; See Note 1	4.56 (41-9)	1	83504377
		97/00	Until 10/1/00; See Note 1	4.88 (39-8)	1	D35488
		00/06	After 10/1/00; See Note 2	3.07 (43-14)	1, 12, 14, 20	5073013AA
		97/00	Until 10/1/00; See Note 1	3.55 (39-11)	1, 12, 14, 20	4761676
		00/06	After 10/1/00; See Note 2	3.55 (41-11)	1, 12, 14, 20	5012828AC
		97/00	Until 10/1/00; See Note 1	3.73 (41-11)	1, 12, 14, 20	4761678
		00/06	After 10/1/00; See Note 2	3.73 (41-11)	1, 12, 14, 20	5086639AA
		00/06	After 10/1/00; See Note 2	4.11 (37-9)	1, 12, 14, 20	5073266AB
97/00	Until 10/1/00; See Note 1	4.56 (41-9)	1, 12, 13, 14, 15, 16, 17, 27	D35456TJ		
2	Bearing Set, Differential	97/06	Includes 2 Bearings & 2 Cups	All		J8126500
3	Shim Set, Carrier	97/06		All		83503004
4	Case, Differential, Standard	97/00	Until 10/1/00; Bare; See Note 1	3.07	4	44649
		97/00	Until 10/1/00; Bare; See Note 1	3.55 & Higher	4	44590
5	Case Assembly, Differential, Standard	97/00	Until 10/1/00; See Note 1	3.07	2, 3, 5, 12	4740833
		97/00	Until 10/1/00; See Note 1	3.55 & Higher	2, 5, 12	4740834
		00/06	After 10/1/00; See Note 2	3.07	2, 5, 12	5073110AA
		00/06	After 10/1/00; See Note 2	3.55 & Higher	2, 5, 12	5072976AA

Dana 35 Rear Axle

Item #	Description	Years	Comments	Ratio	Includes	Replaces Part #
6	Gear Set, Differential, Standard	97/06		All		4740670
7	Case Assembly, Differential, Trac-Loc	97/00	Until 10/1/00; See Note 1	3.07	2, 3, 6, 12	83505020
		97/00	Until 10/1/00; See Note 1	3.55 & Higher	2, 6, 12	83505021
		00/06	After 10/1/00; See Note 2	3.07	2, 6, 12	5073014AA
		00/06	After 10/1/00; See Note 2	3.55 & Higher	2, 6, 12	5012831AB
		97/00	Until 10/1/00; Bare; See Note 1	3.55 & Higher	4, 10, 12	43233
8	Gear Set, Differential, Trac-Lok	97/06		All		5252497
9	Disc Kit, Differential	97/06	Trac-Lok	All		83500263
10	Pin, Differential Shaft	97/01		All		5252502
		02/06	w/ Standard Differential	All		5252502
11	Shaft & Pin Kit, Differential	97/01		All		5252502K
		02/06	w/ Standard Differential	All		5252502K
12	Bolt Kit, Ring Gear, 10 Bolts	97/00	Until 10/1/00; See Note 1	All		4720891
		00/06	After 10/1/00; See Note 2	All		5012810AC
13	Bearing Set, Pinion	97/06	Inner	All		5252507
14	Spacer, Pinion Crush	97/06		All		3175779
15	Shim Set, Pinion	97/06		All		83503003
16	Bearing Set, Pinion	97/06	Outer	All		5252508
17	Seal, Pinion	97/06		All		83504946
18	Yoke, Pinion	97/06		All		83503318
		97/06		All		83503318
19	Strap & Bolt Kit, U-Joint	97/06	Hex Head Bolts	All		4006698K
		97/06	12-Point Head Bolts	All		4006928K
20	Nut, Pinion	97/06		All		J3182601
21	Axle Shaft	97/02	Right; w/ or w/o ABS	All	22	4713192
		97/02	Left; w/ or w/o ABS	All	22	4713193
		03/04	Right; w/ ABS	All	22	5086640AA
		03/04	Left; w/ ABS	All	22	5086641AA
		03/06	Right; w/o ABS	All	22	5103014AA
		03/06	Left; w/o ABS	All	22	5103015AA
22	Stud, Wheel	97/02		All		83503053
		03/06		All		53007463
23	Seal, Axle Shaft	97/06		All		4856336
24	Bearing, Axle Shaft	97/06		All		J8134036
25	Retainer, Axle Shaft	97/06	C-Clip	All		5252505
26	Axle Shaft Bearing Kit	97/06		All	23, 24, 25	8134036K
27	Gasket, Differential Cover	97/06	Paper	All		35AXCG
28	Differential Cover Plug	97/06	Rubber	All		5252504
29	Differential Cover	97/06		All		5252493
30	Sealant, RTV	97/06		All		J8993317
31	Bearing & Seal Master Kit	97/06		All	2, 13, 14, 15, 16, 17, 20, 23, 24, 27	D35MASKIT
32	Ring & Pinion Master Kit	97/00	Until 10/1/00; See Note 1	3.07 (43-14)	1, 12, 13, 14, 15, 16, 17, 27	7072441X
		97/00	Until 10/1/00; See Note 1	3.55 (41-11)	1, 12, 13, 14, 15, 16, 17, 20, 27	7072443X
		97/00	Until 10/1/00; See Note 1	4.11 (37-9)	1, 12, 13, 14, 15, 16, 17, 27	7072444X
33	Pinion Bearing & Seal Kit	97/06		All	13, 14, 15, 16, 17, 27	D35PBK
34	U-Bolt Yoke Kit	97/06		All		D35YOKEUBK
35	Pinion & Carrier Bearing Kit	97/06		All	2, 13, 14, 15, 16, 17, 20, 31	3171166K
36	Pinion & Differential Shim Kit	97/06		All	3, 15	5017214AA



Item #	Description	Years	Comments	Ratio	Includes	Replaces Part #
1	Ring & Pinion	97/03	See Note 1	3.73	1	J0935650
		97/03	See Note 1	3.07 (43/14)	1, 12, 21, 22	83504197
		03/06	See Note 2	3.07 (43/14)	1, 12, 21, 22	5103018AB *
		97/03	See Note 1	3.55 (39/11)	1, 12, 21, 22	4882841
		97/03	See Note 1	3.73 (41/11)	1, 3, 12, 13, 14, 15, 16, 17, 21, 22, 32, 34	J8124777
		03/06	See Note 2	3.73 (41/11)	1, 12, 21, 22	5103016AB
		97/03	See Note 2; w/o Tru-Lok	4.10 (41/10)	1, 12, 21, 22	4882844
		03/06	See Note 2; w/ Tru-Lok	4.10 (41/10)	1, 12, 22	5127180AA
2	Bearing Set, Differential	97/06	Includes 2 Bearings & 2 Cups	All		J8124071
		03/06		All	3, 34	5093047AA
3	Shim Set, Carrier	97/02		All	3, 34	J8129222
		03/06		All	3, 32, 34	5093047AA
4	Case Kit, Differential, Standard	00/03	Less Gear Set; See Note 1	3.73 & Lower		J8130017
5	Case Assembly, Differential	03/06	Standard; See Note 2	3.73 & Lower		5103031AA *
6	Case Assembly, Differential	97/04	Trac-Lok; See Note 1	3.73 & Lower	2, 3, 5, 12, 32, 34	83505431
		03/06	Trac-Lok; See Note 2	3.73 & Lower	2, 3, 5, 12, 32, 34	5103017AA
7	Gear Set, Differential, Standard	00/06		All	7, 12	4778595
8	Gear Set, Differential, Trac-Lok	97/06		All	8, 12, 32, 34	83505432
9	Disc Kit, Differential	97/06	w/ Trac-Lok	All		J0994345
10	Shaft, Differential	97/06	w/ Std or Trac-Lok; See Note 3	All		83503069
11	Pin, Differential Shaft	1997	Roll Pin	All		J0636360
		98/99	Threaded Pin	All		5252502
		00/06	w/o Trac-Lok; Roll Pin	All		J0636360
12	Bolt Kit, Ring Gear	97/03	Includes 10; See Note 1	All		4720891
		02/06	Includes 10; See Note 2	All		5012810AC

* This part is not currently carried by Crown Automotive

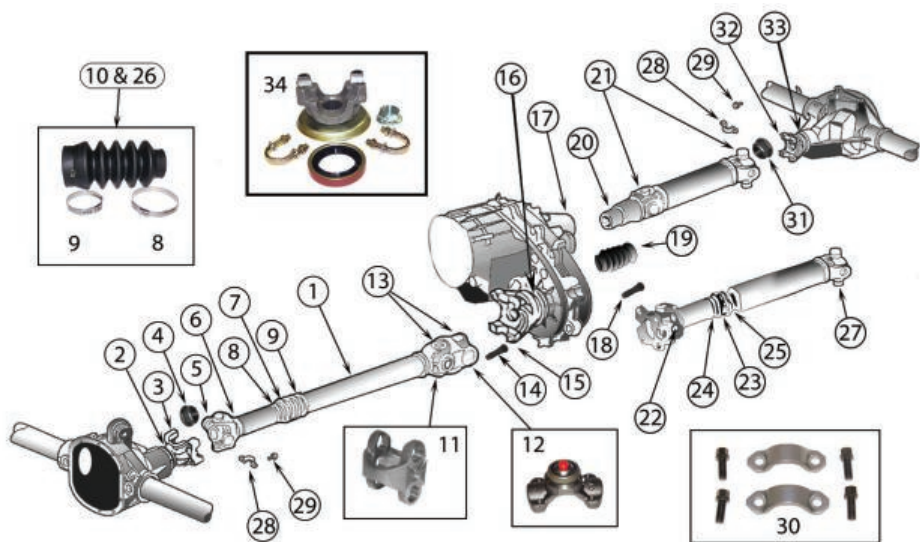
Note 1 - Uses 3/8" Ring Gear Bolts
Note 2 - Uses 7/16" Ring Gear Bolts

Dana 44 Rear Axle

Item #	Description	Years	Comments	Ratio	Includes	Replaces Part #
13	Bearing Kit, Pinion	97/06	Inner	All		J8124051
14	Shim Set, Pinion	97/06	w/ Standard or Trac-Lok	All	14, 21, 22, 32	J8129221
15	Bearing Kit, Pinion	97/06	Outer	All		J8124052
16	Slinger, Pinion	97/06	Outer	All		J0636566
17	Seal, Pinion	97/01	Non-Flanged	All		83503390
		01/06	w/ Standard or Trac-Lok; Flanged	All		5072473AA
		03/06	w/ Tru-Lok; See Note 4	All		5066446AA
18	O-Ring, Pinion Yoke	03/06	w/ Tru-Lok; See Note 4	All		5012453AA
19	Yoke, Pinion	1997	w/ Standard or Trac-Lok	All		83503388
		98/06	w/ Standard or Trac-Lok	All		4897026AA
		03/06	w/ Tru-Lok	All		4797689
20	Strap & Bolt Kit, U-Joint	97/06	Hex Head Bolts	All		4006698K
		97/06	12-Point Head Bolts	All		4006928K
21	Washer, Yoke	97/06	w/ Standard or Trac-Lok	All		J4004913
22	Nut, Pinion	97/06	w/ Stand. or Trac-Lok; See Note 3	All		J0801367
		03/06	w/ Tru-Lok; Flanged; See Note 4	All		5017755AA
23	Axle Shaft Assembly	97/02	Right (29.75" Long)	All	24, 25, 26, 27, 30	4882350
		97/02	Left (29.25" Long)	All	24, 25, 26, 27, 30	4882351
		03/06	Right; w/ Drum Brakes w/o ABS	All	24, 25, 26, 27, 30	5086632AA
		03/06	Left; w/ Drum Brakes w/o ABS	All	24, 25, 26, 27, 30	5086633AA
		03/06	Right; w/ Disc Brakes w/o ABS	All	24, 25, 26, 27, 30	5083676AA
		03/06	Left; w/ Disc Brakes w/o ABS	All	24, 25, 26, 27, 30	5083677AA
24	Retaining Ring, Axle Shaft	97/06	2.25" OD	All		83503077
25	Bearing, Axle Shaft	97/06		All		83503064
26	Seal, Axle Shaft	97/06	Outer	All		83503063
27	Retainer, Axle Shaft	97/06	w/ Drum Brakes	All		5010811AA
		03/06	w/ Disc Brakes	All		5083678AA
28	Bearing & Retainer Kit, Axle Shaft	97/06		All	24, 25	994262K
29	Bearing & Seal Kit, Axle Shaft	97/06	w/ Drum Brakes	All	24, 25, 26, 27	D44TJBK
		03/06	w/ Disc Brakes	All	24, 25, 26, 27	D44TJDBBK
30	Stud, Wheel	97/02		All		83503053
		03/06		All		53007463
31	Differential Cover	03/06	w/ Tru-Lok	All	33, Cover Bolts	5014821AA
32	Gasket, Differential Cover	97/06	Paper	All		J8122409
33	Plug, Differential Cover	97/02	Rubber	All		5252504
		03/06	w/ Tru-Lok; Metal	All		3640792
		03/06	w/ Standard or Trac-Lok; Metal	All		J4004751
34	Sealant, RTV	97/06		All		J8993317
35	Additive, Limited Slip	97/06	Including Tru-Lok	All		4318060AB
36	Bearing & Seal Master Kit	97/06	w/ Drum Brakes	All	2, 3, 13, 14, 15, 16, 17, 22, 24, 25, 26, 27, 32, 34	D44TJMASKIT
		03/06	w/ Standard or Trac-Lok w/ Disc Brakes; See Note 3	All	2, 3, 13, 14, 15, 16, 17, 22, 24, 25, 26, 27, 32, 34	D44TJDBMASKIT
37	U-Bolt Yoke Kit	97/06	w/ Standard or Trac-Lok; See Note 3	All	17, 19, 21, 22, (Plus 2 U-Bolts)	D3044YOKEUBK
38	Pinion & Differential Shim Kit	97/06	w/ Standard or Trac-Lok; Note 3	All	3, 14, 21, 22, 32	J8129223
		03/06	w/ Tru-Lok	All	3, 14, 22, 32, 34	5083673AB

Note 3 - w/o Rubicon Package

Note 4 - w/ Rubicon Package



Item #	Description	Location	Years	Comments	Replaces Part #
1	Drive Shaft	Front	97/02	w/ 2.5L Engine; 37.95" Collapsed	52098378
			97/02	w/ 4.0L Engine; w/ Manual Trans.; 39.49" Collapsed	52098377
			97/02	w/ 4.0L Engine; w/ Auto. Trans.; 37.95" Collapsed	52098378
			03/06	w/ 4.0L Engine; w/o Rubicon Package; 39.49" Collapsed	52098377
2	Seal, Pinion	Front	97/01	w/ Dana 30 (Non-Flanged)	83503390
			01/06	w/ Dana 30 (Flanged)	5072473AA
			03/06	w/ Dana 44	5066446AA
3	Yoke, Pinion	Front	97/06	w/ Dana 30 (No Slinger)	83503388
			03/06	w/ Dana 44	4797689
4	Nut, Pinion	Front	97/00	Until 10/1/2000; w/ Dana 30	J0801367
			00/06	After 10/1/2000	5017755AA
5	U-Joint Drive Shaft	Front	97/06	Front Joint; w/o Rubicon Package; Sealed	4882793
			97/06	Front Joint; w/o Rubicon Package; Greasable	J8126614
			97/06	Front Joint; w/o Rubicon Package; Spicer Greasable	8126614SP
			03/06	Front Joint; w/ Rubicon Package	5093820AB
6	Slip Yoke, Drive Shaft	Front	1999		5010030AA
			00/06	w/o Rubicon Package	5016375AA
7	Boot, Drive Shaft	Front	03/06	w/o Rubicon Package	5083001AA
8	Clamp, Drive Shaft	Front	97/06	w/o Rubicon Package; Large; 54.5mm	5013625AA
9	Clamp, Drive Shaft	Front	97/06	w/o Rubicon Package; Small; 39.6mm	5013626AA
10	Boot Kit, Drive Shaft	Front	97/02	Includes Boots & Clamps	5012793AA
			03/06	w/o Rubicon Package; Includes Boots & Clamps	5083001K
11	Yoke, Center Drive Shaft	Front	97/02		J8130296

Item #	Description	Location	Years	Comments	Replaces Part #
12	Flange Assembly, Drive Shaft	Front	97/02		J8126796
13	U-Joint, Drive Shaft	Front	97/06	Rear Joint; w/o Rubicon Package; Sealed	4882793
		Front	97/06	Rear Joint; w/o Rubicon Package; Greasable	J8126614
		Front	97/06	Rear Joint; w/o Rubicon Package; Spicer Greasable	8126614SP
		Front	03/06	Rear Joint; w/ Rubicon Package; Greasable	5014733AA
14	Drive Shaft Bolt	Front	97/06		6036415AA
15	Yoke, Transfer Case	Front	97/06	Rear Joint; w/o Rubicon Package; Greasable	4798120
16	Seal, Transfer Case Output	Front	97/06	w/ NP231 Transfer Case	4798112
		Front	03/06	w/ NV2410R Transfer Case	4798125
17	Seal, Transfer Case Output	Rear	97/06	w/ NP231 Transfer Case	4798117
		Rear	03/06	w/ NV2410R Transfer Case	5013019AA
18	Drive Shaft Bolt	Rear	03/06	w/ Rubicon Package; M12 x 1.75 x 32.5mm	5191037AD
19	Boot, Drive Shaft Slip Yoke	Rear	97/06	w/ NP231 Transfer Case	4798123
20	Slip Yoke, Drive Shaft	Rear	97/06	w/ NP231 Transfer Case	4882714
21	U-Joint, Drive Shaft	Rear	97/06	F or R Joint; w/o Rubicon Package; Sealed	4882793
		Rear	97/06	F or R Joint; w/o Rubicon Package; Greasable	J8126614
		Rear	97/06	F or R Joint; w/o Rubicon Package; Spicer Greasable	8126614SP
22	U-Joint, Drive Shaft	Rear	03/06	Front Joint; w/ Rubicon w/o Unlimited Package	5093377AB
23	Boot, Drive Shaft	Rear	05/06	w/ Rubicon w/ Unlimited Package	5083001AA
24	Clamp, Drive Shaft	Rear	05/06	w/ Rubicon w/ Unlimited Package (Large); 54.5mm	5013625AA
25	Clamp, Drive Shaft	Rear	05/06	w/ Rubicon w/ Unlimited Package (Small); 39.6mm	5013626AA
26	Boot & Clamp Kit, Drive Shaft	Rear	05/06	w/ Rubicon w/ Unlimited Package; Includes Boots & Clamps	5083001K
27	U-Joint, Drive Shaft	Rear	03/06	Rear Joint; w/ Rubicon w/o Unlimited Package	5093820AB
28	Strap, U-Joint	F or R	97/06		J3240553
29	Bolt, U-Joint	F or R	97/06	6-point Head	J4006698
		F or R	97/06	12-point Head	J4006928
30	Strap & Bolt Kit, U-Joint	F or R	97/06	w/ 6-point Head Bolts	4006698K
		F or R	97/06	w/ 12-point Head Bolts	4006928K
31	Nut, Pinion	Rear	97/06	w/ Dana 35	J3182601
		Rear	97/06	w/ Dana 44 w/o Rubicon Package	J0801367
		Rear	03/06	w/ Dana 44 w/ Rubicon Package	5017755AA
32	Yoke, Pinion	Rear	97/06	w/ Dana 35	83503318
		Rear	1997	w/ Dana 44	83503388
		Rear	98/06	w/ Dana 44 w/o Rubicon Package	4897026AA
		Rear	03/06	w/ Dana 44 w/ Rubicon Package	4797689
33	Seal, Pinion	Rear	97/06	w/ Dana 35	83504946
		Rear	97/01	w/ Dana 44 (Non-flanged)	83503390
		Rear	01/06	w/ Dana 44 w/o Rubicon Package (Flanged)	5072473AA
		Rear	03/06	w/ Rubicon Package	5066446AA
34	U-Bolt Yoke Kit	Front	97/06	w/ Dana 30	D3044YOKEUBK
		Rear	97/06	w/ Dana 35	D35YOKEUBK
		Rear	97/06	w/ Dana 44 w/o Rubicon Package	D3044YOKEUBK

1



2



3



4



5



6



7



8



Item #	Description	Year	Engine	Spline Count	Disc Size	Spline Diameter	Notes	Replaces Part #
1	Clutch Disc	97/02	2.5L	14	9.125"	.968"		52107571
		03/04	2.4L	19	9"	1"		52104026
		05/06	2.4L	10	9"	1"		52104581AE
		97/99	4.0L	10	10.5"	1.125"		53008259
		00/06	4.0L	10	10.375"	1.125"		52104363AA
2	Pressure Plate	97/02	2.5L					53003006
		97/06	4.0L				LHD	4638411C
		00/06	4.0L					52104045
3	Clutch Kit	97/02	2.5L	14	9.125"	.968"		52107570
		03/04	2.4L	19	9"	1"		52104289AE
		05/06	2.4L	10	9"	1"		52104289AG
		97/99	4.0L	10	10.5"	1.125"		68044869AA
		00/06	4.0L	10	10.375"	1.125"		5015606AA
4	Clutch Release Bearing	97/06	All					53008342
5	Clutch Master Cylinder	97/06	All				LHD	52107652MC
6	Clutch Slave Cylinder	97/06	All					52107640S
7	Clutch Hydraulic Assembly	97/02	2.5L, 4.0L				LHD	52107652AB
		97/99	2.5L, 4.0L				RHD	52107653AB
		00/02	2.5L, 4.0L				RHD	52107653AC
		03/04	2.4L, 4.0L				LHD	52107652AH
		05/06	2.4L, 4.0L				LHD	52107652AM
8	Pilot Bearing	97/00	2.5L				w/o Sleeve	J3250005
		01/02	2.5L				w/ Sleeve	53009180AB
		03/04	2.4L				w/ Sleeve	52104337AA
		05/06	2.4L				w/o Sleeve	53009181
		97/06	4.0L				w/ Sleeve	53009180AB
		97/06	4.0L				w/o Sleeve	53009181



Item #	Description	Year	Engine	Spline Count	Disc Size	Spline Diameter	Notes	Replaces Part #
9	Clutch Fork	97/06	All					53006388
10	Clutch Fork Pivot	97/06	All					52087542
11	Clutch Fork Spring	97/06	All					4338855
12	Crankshaft Position Sensor Grommet	97/04	All					53006010
13	Clutch Pedal Pad	97/06	All				2.5" Wide	52002750
14	Clutch Master Cylinder Bushing	2004	All				To Clutch Pedal	4643448
15	Clutch Pedal Bushing	97/06	All					4446361
16	Clutch Alignment Tool	97/02 97/06	2.5L 4.0L	14 10		1" 1.125"		53006 53010

Clutch Master Kits

COMPONENTS: A. Clutch Disc B. Pressure Plate C. Clutch Bearing D. Pilot Bearing E. Clutch Fork F. Alignment Tool

17	Clutch Master Kit	97/99	2.5L	14	9.125"	.968"	A, B, C, D, E, F	TXYZ9499F
		97/99	4.0L	10	10.5"	1.125"	A, B, C	4874175K
		97/99	4.0L	10	10.5"	1.125"	A, B, C, D, E, F	TXYZ9499S
		00/06	4.0L	10	10.5"	1.125"	A, B, C, D, E	5015606AAK



Item #	Description	Years	Engine	Comments	Dimensions	Type	Replaces Part #
--------	-------------	-------	--------	----------	------------	------	-----------------

Radiators, Coolant Bottles & Related

1	Radiator	97/02	2.5L	LHD	18-1/2" x 22"	2 Rows	52080183
		03/06	2.4L	LHD	18-1/2" x 22"	2 Rows	52080183
		97/06	4.0L	LHD	18-1/2" x 22"	2 Rows	52080183
2	Radiator Cap	97/02	2.5L	18 psi			52079799AA
		03/06	2.4L	18 psi			52079799AA
		97/06	4.0L	18 psi			52079799AA
3	Coolant Bottle	97/06	All				52028065AF
4	Coolant Bottle Cap	97/06	All				52079331

Water Pumps & Related

5	Water Pump	97/02	2.5L	Includes Gasket			4626054
		03/06	2.4L	Includes Seal			4694307AB
		97/99	4.0L	Includes Gasket			4626054
		00/06	4.0L	Includes Gasket			5012366AB
6	Water Pump Gasket	97/98	2.5L, 4.0L				J3173204
		99/02	2.5L				53010419
		03/06	2.4L				4621564
		99/06	4.0L				53010419
7	Water Pump Coolant Return Tube	97/06	2.5L, 4.0L				53007978
8	Water Pump Stud	97/04	2.5L, 4.0L				J4006714

Thermostats & Related

9	Thermostat	97/02	2.5L	195°; Includes Gaskets			83501426
		03/06	2.4L	195°; Includes Seal			53010552AA
		97/06	4.0L	195°; Includes Gaskets			83501426
10	Thermostat Housing	03/06	2.4L				53010553AB
		97/06	2.5L, 4.0L				53006192
11	Thermostat Housing Gasket	03/06	2.4L				53010554AA
		97/06	2.5L, 4.0L				J3189874
12	Thermostat Kit	03/06	2.4L	Includes #9, 10, & 11			53010552K

Pulleys, Tensioners & Related

13	Drive Belt Idler Pulley	03/06	2.4L	Upper or Lower	3" Diameter	Smooth	53013324AA
		97/02	2.5L		3" Diameter	Smooth	53010230
		97/02	2.5L, 4.0L		3.55" Diameter	Smooth	53002905
		97/98	2.5L, 4.0L	w/o A/C	3.95" Diameter	6 Grooves	53002903
		97/99	4.0L		3" Diameter	Smooth	53010230
		00/06	4.0L		3" Diameter	Smooth	4854092
14	Drive Belt Tensioner	03/06	2.4L				4861277AD
		01/06	4.0L				4854089AB
15	Drive Belt Tensioner Bolt	97/02	2.5L				6503198
		97/99	4.0L				6503198



Item #	Description	Years	Engine	Comments	Dimensions	Type	Replaces Part #
16	Drive Belt Tensioner Collar	97/02 97/99	2.5L 4.0L				53010149 53010149
17	Drive Belt Tensioner Bolt & Collar	97/02 97/99	2.5L 4.0L				6503198K 6503198K

Fan Clutches

18	Fan Clutch	97/02 97/99 00/06	2.5L 4.0L 4.0L	Reverse Rotation Bolt-On Type; Reverse Rotation Thread-On Type			52003205 J3241858 52027883AC
----	------------	-------------------------	----------------------	--	--	--	------------------------------------

Accessory Drive Belts

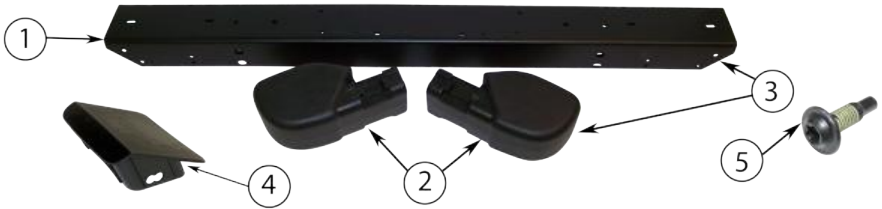
19	Accessory Drive Belt	03/06 03/05 03/05 97/02 97/98 99/02 99/02 97/02 97/02 00/02 97/99 97/98 1997 97/99 97/99	2.4L 2.4L 2.4L 2.5L 2.5L 2.5L 2.5L 2.5L 2.5L 2.5L 2.5L, 4.0L 2.5L, 4.0L 2.5L, 4.0L 4.0L 4.0L	w/ A/C w/o A/C w/o A/C; Continental Elite w/o A/C; Continental Elite w/ A/C; Continental Elite LHD; w/ A/C; w/ PS RHD; w/ A/C LHD; w/ PS; w/o A/C RHD; Continental Elite w/o A/C LHD; w/o A/C; w/o PS LHD; w/ PS; w/ A/C RHD; w/ PS LHD; w/ PS; w/o A/C LHD; w/ PS; w/o A/C; LHD w/ PS; w/ A/C; Continental Elite	91.9" Long 87.5" Long 87.5" Long 79.0" Long 91.0" Long 92.3" Long 89.4" Long 79.0" Long 89.5" Long 75.0" Long 77.5" Long 91.0" Long 88.8" Long 79.0" Long 79.0" Long	6 Ribs 6 Ribs 6 Ribs 6 Ribs 6 Ribs 6 Ribs 6 Ribs 6 Ribs 6 Ribs 6 Ribs 6 Ribs 6 Ribs 6 Ribs 6 Ribs 6 Ribs 6 Ribs 6 Ribs 6 Ribs 6 Ribs	5281351AC 53032037AC 4060875 4060790 4060910 53010150 53010234 53010257 4060895 53013209AC 53010254 53011035 53013298AA 53010257 4060790 53010150 53010234 4854033 4060882 53013209AC
		1999 1999 00/06 00/06 00/06	4.0L 4.0L 4.0L 4.0L 4.0L	LHD; w/ A/C; w/ PS RHD; w/ A/C w/ A/C w/ A/C; Continental Elite w/o A/C	92.3" Long 89.4" Long 88.0" Long 88.2" Long 75.0" Long	6 Ribs 6 Ribs 6 Ribs 6 Ribs 6 Ribs	53010150 53010234 4854033 4060882 53013209AC

Radiator Hoses

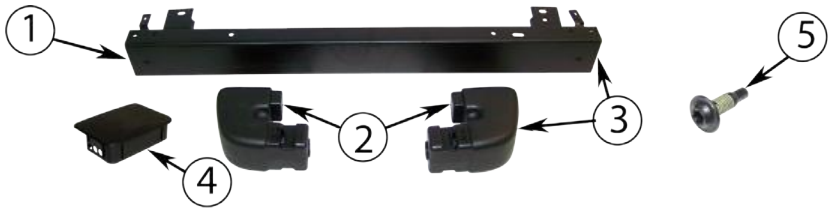
20	Upper Radiator Hose	97/02 03/06 97/06 97/06	2.5L 2.4L 4.0L 4.0L	LHD LHD LHD RHD			52028266 52080030AD 52028264 52028144AC
21	Lower Radiator Hose	97/02 03/06 97/06	2.5L 2.4L 4.0L	LHD LHD LHD & RHD			52028141 52080031AD 52028265AD

Miscellaneous

22	Coolant Temperature Sensor	1997 1997 98/06	2.5L, 4.0L 2.5L, 4.0L 2.4L, 2.5L, 4.0L	w/o Upgraded OBD-II Connectors w/ Upgraded OBD-II Connectors			33004281 56027873 56027873
----	----------------------------	-----------------------	--	---	--	--	----------------------------------



Item #	Description	Years	Color	Comments	Replaces Part #
Front Bumper & Related					
1	Bumper	97/06	Textured Black	USA Only	5ED16T3X
2	Bumper End Cap	97/06	Textured Black	Left; USA Only	55155757AA
		97/06	Textured Black	Right; USA Only	55155756AB
3	Bumper Kit	97/06	Textured Black	USA Only; Includes Bumper & 2 End Caps	5ED16T3XK
4	Stubby Bumper End Cap	97/06	Black	Left or Right	55078138AA
5	Bolt, Bumper End Cap	97/06		Left or Right	6504212



Item #	Description	Years	Color	Comments	Replaces Part #
Rear Bumper & Related					
1	Bumper	97/06	Black	USA Only	5ED18T3X
2	Bumper End Cap	97/06	Textured Black	Left; USA Only	55155761AA
		97/06	Textured Black	Right; USA Only	55155760AB
3	Bumper Kit	97/06	Black	USA Only; Includes Bumper & End Caps	5ED18T3XK
4	Stubby Bumper End Cap	97/06	Black	Left or Right	55078139AA
5	Bolt, Bumper End Cap	97/06		Left or Right	6504212

Fender



Item #	Description	Year	Position	Color	Comments	Replaces Part #
Fender & Related						
1	Fender	97/06	Front, L	Black Primed		5003951AD
		97/06	Front, R	Black Primed		5003950AD
2	Fender Flare	97/06	Front, L	Textured Black	w/o Sahara or Rubicon Package; 3-3/4" Wide	55254919
		97/06	Front, L	Textured Black	6-5/8" Wide	552549197
		97/06	Front, R	Textured Black	w/o Sahara or Rubicon Package; 3-3/4" Wide	55254918
		97/06	Front, R	Textured Black	6-5/8" Wide	552549187
3	Fender Flare	97/06	Rear, L	Textured Black	w/o Sahara or Rubicon Package; 3-3/4" Wide	55175727
		97/06	Rear, L	Textured Black	6-5/8" Wide	551757277
		97/06	Rear, R	Textured Black	w/o Sahara or Rubicon Package; 3-3/4" Wide	55175726
		97/06	Rear, R	Textured Black	6-5/8" Wide	551757267
4	Fender Flare Extension	97/06	Front, L	Textured Black	3-3/4" Wide	55254929
		97/06	Front, R	Textured Black	3-3/4" Wide	55254928
5	Fender Flare Kit	97/06	F & R, L & R	Textured Black	4 Piece - 3-3/4" Wide; Includes Hardware	55254918K
		97/06	F & R, L & R	Textured Black	4 Piece - 6-5/8" Wide; Includes Hardware	55254918K7
6	Fender Flare Kit	97/06	F & R, L & R	Textured Black	6 Piece - 3-3/4" Wide; Includes Hardware	55254918K6
		97/06	F & R, L & R	Textured Black	6 Piece - 6-5/8" Wide; Includes Hardware	5254918K76
7	Fender Flare Hardware Kit	97/06	F & R, L & R			4918K
8	Fender Flare Nut	97/06	F or R, L or R		24 Required Per Vehicle	J4004868
9	Fender Flare Push Pin	97/06	F or R, L or R		8 Required	J4007117
10	Fender Flare Screw	97/06	F or R, L or R		24 Required Per Vehicle	J4002337
11	Fender Flare Nut	97/06	F or R, L or R		12 Required Per Vehicle	6504601

Door & Windshield



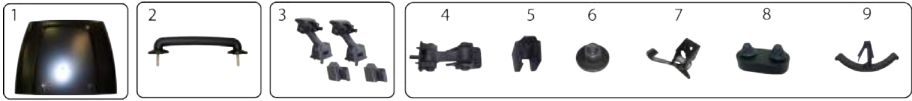
Item #	Description	Position	Year	Color	Comments	Replaces Part #
Door & Related						
1	Door Handle	Left	97/06	Black	Exterior; w/ Full Steel Doors	55076222
		Right	97/06	Black	Exterior; w/ Full Steel Doors	55076223
	Door Handle Kit	L & R	97/09	Black	Includes Exterior Handles & 4 Keepers	55076222K
2	Door Handle	Left	97/06	Black	Exterior; w/ Half Doors	55176549AB
		Right	97/06	Black	Exterior; w/ Half Doors	55176548AB
3	Door Handle	Left	97/06	Chrome	Exterior; w/ Full Steel Doors	J5758172
		Right	97/06	Chrome	Exterior; w/ Full Steel Doors	J5758173
	Door Handle Kit	L & R	97/06	Chrome	Includes Exterior Handles & 4 Keepers	5758172K
4	Exterior & Interior Door Handle Kit	L & R	97/06	Black	Incl. Interior, Exterior Handles, 4 Keepers & 4 Lock Rod Clips Incl.	55076222MK
		L & R	97/06	Chrome	Interior, Exterior Handles, 4 Keepers & 4 Lock Rod Clips	5758172MK
5	Door Handle Keeper	L or R	97/06	Zinc	Exterior; w/ Full Steel Doors	55076221
6	Door Lock Rod Clip	L or R	97/06	Purple		4658444
7	Door Lock Rod Clip	L or R	97/06	Orange		4658445
8	Door Trim Retainer	L or R	01/06	White		6504014
9	Side Mirror	Right	97/06	Black	1987-2002 Style	82201772
		Left	97/06	Black	1987-2002 Style	82201773
		Side Mirror Set	L & R	97/06	Black	1987-2002 Style
10	Side Mirror	Right	97/06	Chrome	1987-2002 Style	82201772C
		Left	97/06	Chrome	1987-2002 Style	82201773C
		Side Mirror Set	L & R	97/06	Chrome	1987-2002 Style
11	Side Mirror	Right	97/06	Black	2003-2006 Style	55395060AB
		Left	97/06	Black	2003-2006 Style	55395061AB
		Side Mirror Set	L & R	97/06	Black	2003-2006 Style



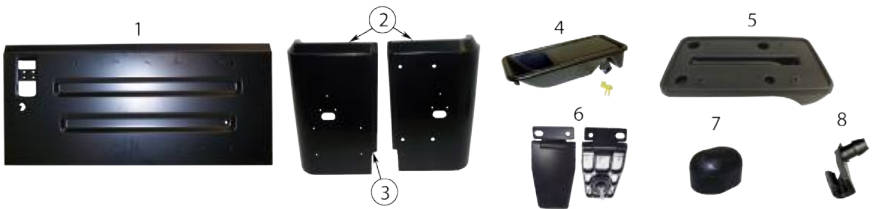
Item #	Description	Position	Year	Color	Comments	Replaces Part #
Windshield & Related						
1	Windshield Frame		97/02	Black Primed		55174607AB
			03/06	Black Primed		55395014AB
2	Windshield Hinge	Left	97/06	Black Primed		55075703AH
		Right	97/06	Black Primed		55075702AH
3	Windshield Frame Screw Kit	L & R	97/05	Black	Includes 16 Torx® Screws	6035757K
4	Windshield Frame Screw	L or R	97/05	Stainless Steel	14 Required; Button Head; See Note #1	40049565S
		L or R	97/05	Black	14 Required	6035757

Note #1 - For Aftermarket Hinges

Hood & Tailgate



Item #	Description	Position	Year	Color	Comments	Replaces Part #
Hood & Related						
1	Hood		97/06	Black Primed	After 1/2/1997; w/ Oval Hood Rod Hole; Incl. 1 Washer Nozzle Hole	55176594
2	Footman Loop		97/06	Black		55176422
3	Hood Catch Kit	L & R	97/06	Textured Black	Includes 2 Hood Catches & 2 Brackets	55176636K2
		L or R	97/06	Textured Black	Includes 1 Hood Catch & 1 Bracket	55176636K
4	Hood Catch	L or R	97/06	Textured Black	Does Not Include Bracket	55176636AD
5	Hood Catch Bracket	L or R	97/06	Textured Black		55176428AC
6	Hood Catch Bracket Nut	L or R	97/06		M6 X 1; Includes Washer	6504030
7	Hood Safety Catch		97/06		After 1/2/1997	55176731AF
8	Hood to Fender Bumper	L or R	97/06			J4007541
9	Retainer		97/98		Hood Insulation Fastener	6003351



Item #	Description	Position	Year	Color	Comments	Replaces Part #
Tailgate & Related						
1	Tailgate		97/02	Black Primed		55176340AG
2	Corner Panel Kit	L & R	97/06	Black Primed		55175664K
3	Corner Panel	Left	97/06	Black Primed		55175665
		Right	97/06	Black Primed		55175664AB
4	Tailgate Handle		97/06	Textured Black		55176547AB
5	License Plate Bracket	Rear	97/06	Textured Black		55174994
6	Liftgate Glass Hinge	Left	97/06		w/ Hard Top	5013723AB
		Right	97/06		w/ Hard Top	5013722AB
7	Spare Tire Bumper		97/06		1.62" Tall; 4 Required	55013350
			97/06		1.85" Tall; 4 Required	55345519
8	Tailgate Lock Rod Clip		97/06	Black		4658677

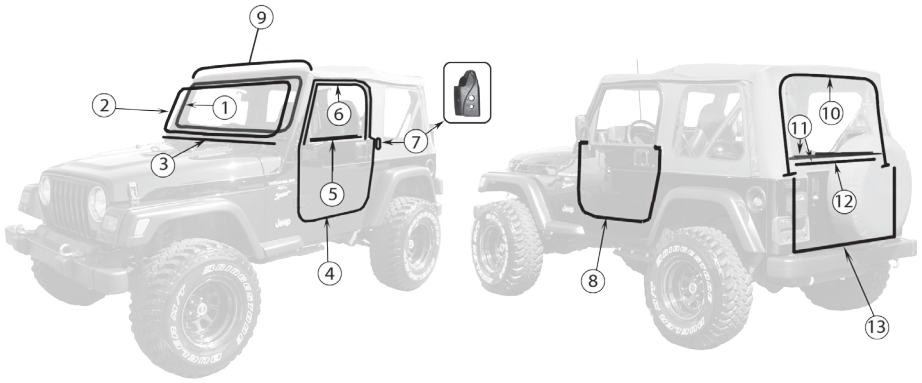


Item #	Description	Position	Year	Comments	Replaces Part #
Frame & Related					
1	Transmission Crossmember		97/02	Black; Does Not Include Transmission Mount Adapter Bracket	52058133AC
2	Crossmember Mounting Bolt Crossmember Mounting Bolt Kit		97/02	6 needed	6035836
			97/02	6 Included	6035836K6
3	Transmission Crossmember Kit		97/02	Includes Crossmember & 6 Mounting Bolts	52058133K
4	Crossmember	Rear	97/06	Black	52058121AB
5	Body Mount Kit	F & R, L & R	97/06	Includes 11 Sleeves & 22 Mounts for Body & Grille	55176180K
6	Body Mount Master Kit	F & R, L & R	97/06	Includes #6 Plus Bolts	55176180MK
7	Body Mount Bushing	F, L or R	97/06	Upper; Passenger Compartment; 6 Required	52002008
8	Body Mount Bushing	F, L or R	97/06	Lower; Passenger Compartment; 6 Required	55176180
9	Body Mount Bushing	F or R, L or R	97/06	Upper; Grille & Cargo Area; 5 Required	52001961
10	Body Mount Bushing	F or R, L or R	97/06	Lower; Grille & Cargo Area; 5 Required	52002661
11	Body Mount Sleeve	F, L or R	97/06	Passenger Compartment; 6 Required	J4007570
12	Body Mount Sleeve	F, L or R	97/06	Grille & Cargo Area; 5 Required	J4007571
13	Body Mount Bolt	F or R, L or R	97/06	Grille & Cargo Area; 5 Required; 2.75" Long	J4007570
14	Body Mount Bolt	F, L or R	97/06	Passenger Compartment; 6 Required; 3.75" Long	J4007571



Item #	Description	Year	Comments	Replaces Part #
Miscellaneous Hardware				
1	Hard Top Hardware Kit Master Hard Top Hardware Kit	97/06	w/o Unlimited Package; Includes 6 Screws & 6 Nuts	6506825K6
		04/06	w/ Unlimited Package; Includes 8 Screws & 8 Nuts	6506825K8
		97/06	w/o Unlimited Package; Includes 6 Screws, 6 Nuts, & 12 Windshield Channel Screws	6506825MK
2	Hardtop Screw	02/06	M8-1.25 x 29mm	6506826AA
3	Nut	97/05	Cowl & Door Check Bracket Nut	34201872
4	Nut	97/06	Front Parking Lamp Mounting Nut	J4000141
5	Retainer	04/06	Door Sill Wiring Protector Mounting	6502871
6	Screw	97/06	Side Mirror Mounting	6034120
7	Screw	97/00	Floor Pan Screw	11502843
8	Screw	01/06	Soft Top Bow Screw	6503259

Weatherstrip & Seals

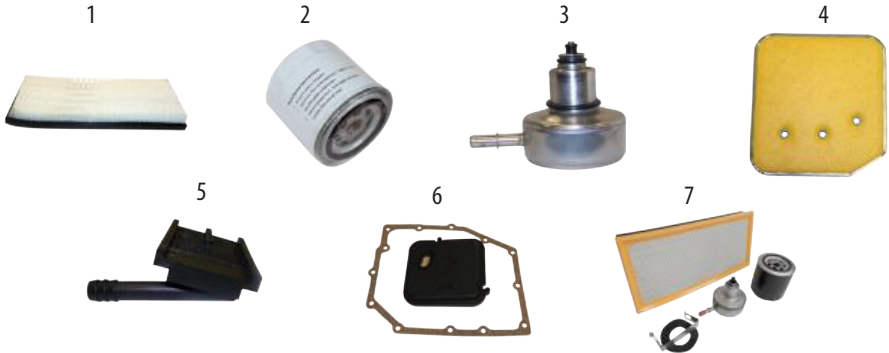


Item #	Description	Position	Year	Comments	Replaces Part #
Weatherstrip & Seals					
1	Windshield Weatherstrip		97/06		55176430AD
2	Windshield Moulding		97/06	"T" shaped	55176567AC
3	Cowl Weatherstrip		97/06	Windshield Frame to Cowl	55395032AI
4	Door Weatherstrip	Left	97/06	w/ Full Steel Door	5017463AF
		Right	97/06	w/ Full Steel Door	5017462AF
5	Door Glass Weatherstrip	Left	97/06	Outer, w/ Full Steel Door	55176565AC
		Right	97/06	Outer, w/ Full Steel Door	55176564AC
6	Door Glass Weatherstrip	L or R	97/06	Inner, w/ Full Steel Door	55395174AA
7	Mocket Seal	Left	97/06	Seals Body to Hard Top or Door Surround	55177257AB
		Right	97/06	Seals Body to Hard Top or Door Surround	55177256AB
8	Door Weatherstrip	Left	97/06	w/ Half Door	5017011AB
		Right	97/06	w/ Half Door	5017010AB
9	Windshield Frame Weatherstrip		97/06	Hard or Soft Top to Windshield	55395101AB
10	Liftgate Weatherstrip		97/06	w/ Hard Top; Upper and Sides	55175041AH
11	Liftgate Weatherstrip Kit		97/06	w/ Hard Top; Lower Weatherstrip & Retainer	55175042K
12	Liftgate Weatherstrip		97/06	w/ Hard Top; Lower	55175042
13	Tailgate Weatherstrip		97/06		55175043AH



Item #	Description	Position	Year	Color	Notes	Replaces Part #
Interior Parts & Accessories						
1	Door Grab Handle	L or R	03/06		Interior; Full or Half Doors	5E543DX9
2	Door Stop Strap	L or R	97/06			55176339AC
3	Window Handle	L or R	97/06		Black	FW80PX9
4	Door Pin Insert	L or R	97/06	Charcoal (Light Gray)	3 Required Per Door	5FB63J51
		L or R	97/06	Spice	3 Required Per Door	5FB63RTB
		L or R	97/06	Cinder (Dark Gray)	3 Required Per Door	5FB63RXA
5	Door Pin Insert Kit	L or R	97/06	Charcoal (Light Gray)	Set of 3	5FB63J51K
		L or R	97/06	Spice	Set of 3	5FB63RTBK
		L or R	97/06	Cinder (Dark Gray)	Set of 3	5FB63RXAK
6	Pedal Pad		97/06		Accelerator	53003932AB
7	Pedal Pad		1997		Brake or Clutch; w/ Manual Transmission	52009562
			98/06		Brake or Clutch w/ Manual Transmission	52002750
			97/98		Brake w/ Automatic Transmission	52078540
			99/06		Brake w/ Automatic Transmission	68031956AA
8	Door Handle	Right	97/06		Interior	55176476AB
		Left	97/06		Interior	55176477AB
	Door Handle Kit	L & R	97/06		Includes Handles & Lock Rod Clips	55176476K
9	Sun Visor Set	L & R	97/02	Black	Includes 2 Sun Visors	RT52004
		L & R	03/06	Black	Includes 2 Sun Visors	RT52001
		L & R	03/06	Agate (Gray)	Includes 2 Sun Visors	RT52002
		L & R	03/06	Spice	Includes 2 Sun Visors	RT52003
10	Floor Pan Plug		01/06		Footwell; 1.25" Round Hole	55177482AA
			97/06		Footwell; 1.75" x 1" Oval Hole	55360966AA
11	Window Regulator	Right	97/06		Manual	55076024AD
		Left	97/06		Manual	55076025AD
12	Liftgate Support	L or R	97/06			55076310AB
13	Door Panel Retainer	L or R	01/06			6504014
14	Door Handle Screw	L or R	97/06		M5 X .8 X 16	6505026AA
			97/00		8.5" Wide	J5965338
			97/00		9.75" Wide	J8993023
	Rearview Mirror		01/06			55156172AA
16	Rearview Mirror Mount Kit		97/00		Includes Mirror Button & Adhesive	J3657374
			01/06		Includes Mirror Button & Adhesive	55076401
17	Rearview Mirror Kit		97/06		Includes 9.75" Wide Mirror, Button & Adhesive	8993023K
			97/06		Includes 8.5" Wide Mirror, Button & Adhesive	5965338K

Air • Oil • Fuel • Transmission • Transfer Case



Item #	Description	Years	Engine / Transmission	Comments	Replaces Part #
1	Air Filter	97/06	2.5L, 4.0L	Aftermarket Replacement; No Foam	4797777R
		97/06	2.5L, 4.0L	Includes Foam Layer	4797777
		03/06	2.4L		5019443AA
2	Oil Filter	97/06	4.0L	3/4"-16 Threads	5281090
		97/02	2.5L	3/4"-16 Threads	5281090
		03/06	2.4L		4105409
3	Fuel Pressure Regulator	97/04	4.0L, 2.5L, 2.4L	Includes Fuel Filter	4798301
4	Transmission Filter	97/02	30RH, 32RH		J8123042
		03/06	42RLE		52852913AB
5	Transfer Case Filter	97/06		NP231 Transfer Case	4338943
6	Transmission Filter Kit	03/06	42RLE		52852913K
7	Master Filter Kit	97/04	4.0L	Includes #s 1, 2, 3	MFK7
		97/02	2.5L	Includes #s 1, 2, 3	MFK7
		03/04	2.4L	Includes #s 1, 2, 3	MFK19
		05/06	2.4L	Includes #s 1, 2	MFK20

TUNE UP KITS



Item #	Description	Years	Engine	Part #
1	Tune Up Kit	97/98	4.0L Engine	TK4
2	Tune Up Kit	1999	4.0L Engine	TK25
3	Tune Up Kit	00/06	4.0L Engine	TK49
4	Tune Up Kit	97/98	2.5L Engine	TK16
5	Tune Up Kit	99/02	2.5L Engine	TK26
6	Tune Up Kit	03/06	2.4L Engine	TK43



Item #	Description	Years	Position	Comments	Replaces Part #
--------	-------------	-------	----------	----------	-----------------

Front

1	Headlight Assembly	97/06	Left	Includes Sealed Beam Headlight, Leveling Device, & Retaining Ring	55055033AE
		97/06	Right	Includes Sealed Beam Headlight, Leveling Device, & Retaining Ring	55055032AE
2	Headlight	97/06	L or R	H6024 Sealed Beam	LOJH6024
		97/06	L or R	H6024 Blue Sealed Beam	154905AA
3	Headlight Wiring Repair Harness	97/06	L or R	High Temperature	998475HT
4	Headlight Retainer	97/06	L or R	Chrome	4874378
5	Headlight Bezel	97/06	Left	Chrome	55055047
		97/06	Right	Chrome	55055046
6	Parking Light	04/06	Left	Amber Lens; Bulb & Socket Not Included	55157033AA
		04/06	Right	Amber Lens; Bulb & Socket Not Included	55157032AA
		97/03	Left	Amber Lens; Bulb & Socket Not Included	55156489AA
		97/03	Right	Amber Lens; Bulb & Socket Not Included	55156488AA
7	Parking Light Socket	97/06	L or R	Front Parking & Signal	68060366AA
8	Turn Signal, Parking Light Bulb	97/06	L or R	3157 Clear Bulb	L0003157
		97/06	L or R	3157 Clear Long Life Bulb	L003157KLC
		97/06	L or R	w/ Clear Parking Lights; 3157A Amber Bulb	L03157NA
		97/06	L or R	w/ Clear Parking Lights; 3157A Amber Long Life Bulb	L0003157AK

Rear & Miscellaneous

Item #	Description	Years	Position	Comments	Replaces Part #
9	Side Marker Light	97/06	Left	Amber Lens	55155629AB
		97/06	Right	Amber Lens	55155628AB
		97/06	Left	Clear Lens w/ Amber Bulb	55155629ABC
		97/06	Right	Clear Lens w/ Amber Bulb	55155628ABC
	Side Repeater Light	97/06	Left	Export Only; Amber Lens	55155461AC
		97/06	Right	Export Only; Amber Lens	55155460AC
10	Side Marker Bulb	97/06	L or R	w/ Clear Lamp Kit; 194A Amber Bulb	L00194NA
		97/06	L or R	194 Clear Bulb	L0000194
11	Fog Light Bulb	97/06	L or R	H3 Bulb; Blade Type Connector	4728646

Rear

12	Tail Light	1997	Left	w/ License Plate Light; w/ Flat 4-Prong Connector	56016721
		1997	Right	w/o License Plate Light; w/ Flat 4-Prong Connector	56016720
		97/06	L or R	Europe; 4 Prong Plug	55155624AC
		98/06	Left	w/ License Plate Light; w/ Square 4-Prong Connector	56018649AC
		98/06	Right	w/o License Plate Light; w/ Square 4-Prong Connector	56018648AC
13	Bulb	1997	L or R	Turn Signal, Parking Light, & Brake Light; 1157 Bulb	J3209544
		98/06	L or R	Turn Signal, Parking Light, & Brake Light; 2057 Bulb	9438848
14	Reverse Light Bulb	97/06	L or R	1156 Bulb	J3209543
15	License Plate Bulb	1997		1156 Bulb	J3209543
16	Tail Light Lens	97/06	L or R		J8129642
17	High Mount Brake Light	97/06			55055280AB
18	High Mount Brake Light Bulb	97/06		921 Bulb	L0000921

Miscellaneous

19	Floor Courtesy Light Bulb	97/06		906 Bulb	G9436750
20	Engine Compartment Bulb	97/06		561 Bulb	54003086

Starting & Charging Components



Item #	Description	Year	Engine	Comments	Replaces Part #
Starting & Charging					
1	Alternator	97/00	2.5L	117 Amps	56005685
		01/02	2.5L	117 Amps	56028686AA
		03/06	2.4L	124 Amps	56044530AC
		97/99	4.0L	117 Amps	56005685
		2000	4.0L	117 Amps	56041565AA
		01/06	4.0L	117 Amps	56041864AB
2	Starter	97/98	2.5L		53002125
		99/02	2.5L		56041013AB
		03/06	2.4L		56041436AC
		97/98	4.0L	Solenoid Attached	33002709
		99/02	4.0L		56041012AC
		03/06	4.0L	w/ Manual Transmission	56041012AE
		03/06	4.0L	w/ Automatic Transmission	56041914AC
3	Starter Brush	97/98	4.0L		83503670
4	Starter Brush Holder	97/98	4.0L		83503671
5	Starter Drive	97/98	2.5L		83501498
		97/98	4.0L		83503662
Engine Components					
6	Air Temperature Sensor	97/02	2.5L		56027872
		97/05	4.0L	Mounted on Intake Manifold	56027872
		05/06	4.0L	Mounted on Air Intake	56028364AA
		03/04	2.4L		56028364AA
		05/06	2.4L		4606487AB
7	Camshaft Position Sensor	00/04	4.0L		4897023AA
		05/06	4.0L		5149034AA
		03/06	2.4L		5072759AA
8	Coolant Temperature Sensor	1997	2.5L, 4.0L	w/o Upgraded OBD-II Connections	33004281
		1997	2.5L, 4.0L	w/ Upgraded OBD-II Connections	56027873
		98/06	All		56027873
9	Crankshaft Position Sensor	97/02	2.5L		56027865AB
		97/04	4.0L	w/ Manual Transmission	56027865AB
		97/02	4.0L	w/ Automatic Transmission	4897321AA
		03/04	4.0L	w/ Automatic Transmission	4727451AA
		05/06	4.0L		4727451AA
		03/04	2.4L		56041552AD
		05/06	2.4L		5269873AB

Engine Components



Item #	Description	Year	Engine	Comments	Replaces Part #
10	Cooling Fan Relay	2003	All		68041017AB
11	Distributor	1997	2.5L	Includes Cap & Rotor	56027027AB
		1997	4.0L	Includes Cap & Rotor	56027028
		98/99	4.0L	Includes Cap & Rotor	56041034
12	Distributor Cap	97/02	2.5L		53006152
		97/99	4.0L		56026876
13	Distributor Gear	97/99	4.0L		83504635
		97/02	2.5L		83504635
14	Distributor Gear Pin	97/99	4.0L		J8128462
		97/02	2.5L		J8128462
15	Distributor Sensor	1997	2.5L		56027023
		98/02	2.5L		56041030
		1997	4.0L		56027023
		98/99	4.0L		56041030
16	Distributor Rotor	97/02	2.5L		56027019
		97/99	4.0L		56027019
17	Harness Repair Kit	97/04	4.0L	Fuel Injector	5183448AA
		03/06	2.4L	Fuel Injector	5183448AA
18	Ignition Capacitor	02/06	4.0L		56041889AA
19	Ignition Coil	1997	2.5L		4797293
		98/02	2.5L		56028172
		03/06	2.4L	4-Tower Coil	5269670
		1997	4.0L		4797293
		98/99	4.0L		56028172
		00/06	4.0L	Six Cylinder Pack	56041476AA
20	Ignition Wire Set	97/02	2.5L		83507180
		97/99	4.0L		83507178
		03/06	2.4L		5102091AA
21	MAP Sensor	1997	2.5L, 4.0L	w/ Upgraded OBD-II Connections	56029405
		98/02	2.5L, 4.0L	Up to 11/2/02	56029405
		03/04	2.4L		68002763AA
		05/06	2.4L		56041018AD
22	Oil Pressure Sensor	1997	2.5L, 4.0L		56031003
		1998	2.5L, 4.0L		56031005
		99/02	2.5L, 4.0L		56028807AB
23	Oil Pressure Switch	03/06	2.4L		4608303
		03/06	4.0L		5149097AA
24	Oil Pump Drive	00/04	4.0L	Does Not Include Sensor	53010615AB
		05/06	4.0L	Includes Sensor	53010624AC

Drivetrain Components

26



27



28



29



30



Item #	Description	Year	Engine	Comments		Replaces Part #
26	Spark Plug	97/98	2.5L	Champion	RC12LYC	56027275
		99/02	2.5L	Champion	RC12ECC	56041402AB
		97/98	4.0L	Champion	RC12LYC	56027275
		99/06	4.0L	Champion	RC12ECC	56041402AB
		2003	2.4L	Champion	RE14MCC5	S2RE14MCC5
		04/06	2.4L	Champion	RE16MC	5149002AA
27	Oxygen Sensor	1997	2.5L		Before Cat.	56027917
		1998	2.5L		Before Cat.	56041212
		99/00	2.5L	18"	Before Cat.	56041213
		01/02	2.5L		Before Cat.	56041944AA
		97/00	2.5L	12"	After Cat.	56041056
		01/02	2.5L		After Cat.	56041846AA
		03/04	2.4L		Before Cat.	56041944AA
		03/04	2.4L		After Cat.	56041846AA
		05/06	2.4L		B or A	56029049AA
		97/00	4.0L	18"	Before Cat.	56041212
		2000	4.0L		Before Cat.	Front 56041212
		01/03	4.0L		Before Cat.	Front 56041943AA
		2003	4.0L	Europe Only	Before Cat.	Front 56041887AA
		04/06	4.0L		Before Cat.	Front 56028995AA
		2000	4.0L	12"	Before Cat.	Rear 56041213
		2001	4.0L	Export Only	Before Cat.	56041887AA
		01/03	4.0L		Before Cat.	Rear 56041944AA
		2004	4.0L	Europe Only	Before Cat.	Rear 56041887AA
		04/06	4.0L		Before Cat.	Rear 56029049AA
		97/99	4.0L		After Cat.	56041056
		2000	4.0L		After Cat.	Front 56044215AA
		2001	4.0L	Export Only	After Cat.	Front 56041846AA
		01/03	4.0L		After Cat.	Front 56029049AA
		2004	4.0L		After Cat.	Front 56028996AA
		05/06	4.0L		After Cat.	Front 56029049AA
		2000	4.0L		After Cat.	Rear 56041056
		2001	4.0L	Export Only	After Cat.	Rear 56041846AA
2002	4.0L	Europe Only	After Cat.	Rear 56041887AA		
01/03	4.0L	Domestic	After Cat.	Rear 56041848AA		
2003	4.0L	Europe Only	After Cat.	Rear 56041846AA		
2004	4.0L		After Cat.	Rear 56041943AA		
05/06	4.0L		After Cat.	Rear 56028995AA		

Drivetrain Components

28	Backup Light Switch	97/02	All	w/ AX5, AX15 Transmissions	83500629
		02/04	All	w/ NV2550, NV3550 Transmissions	56007163
29	Clutch Starter Interlock Switch	97/06	All	w/ Manual Transmission	56009047
30	Neutral Safety Switch	1997	All	w/ 30RH, 32RH Transmissions	3747361
		98/02	All	w/ 30RH, 32RH Transmissions	56028181AB
		03/06	All	w/ 42RLE Transmission	4659677AC

Body Components



Item #	Description	Year	Engine	Comments	Replaces Part #
31	Transfer Case Switch	97/06	All	w/ NP231 Transfer Case	J8134473
		03/06	All	w/ NV2410R Transfer Case	5083138AA
32	Transmission Input Speed Sensor	03/06	All	w/ 42RLE Transmission	4799061AB
33	Transmission Output Speed Sensor	03/06	All	w/ 42RLE Transmission	52854001AA
34	Vehicle Speed Sensor	1997	All		56028183
		98/06	All		56027905
35	Vehicle Speed Sensor Connector	1997	All		4460347R

Body Components

36	Ambient Temperature Sensor	03/06	All		5149265AB
37	Brake Light Switch	97/06	All		56042023
38	Clockspring	97/00	All	w/o Speed Control	56047103AC
		2000	All	w/ Speed Control	56047105AC
		01/02	All	w/o Speed Control	56047103AB
		01/02	All	w/ Speed Control	56047105AB *
		2003	All		56047144AA
39	Door Jamb Switch	97/06	All	Left or Right	4687558
40	Flasher	97/00	All	USA & Canada	56009339
		01/06	All		4607084
41	Hardtop Wiring Connector Kit	97/06	All	Body Side	5013984AA
42	Headlight Switch	97/00	All		56009869AB
43	Ignition Switch	97/00	All	w/ Automatic Transmission	4565326
		01/06	All		4793576AB
44	Ignition Switch Actuator	97/06	All		AP1000
45	Multifunction Switch	97/00	All		56009135
		01/06	All	w/o Fog Lamps	5016708AD
		01/06	All	w/ Fog Lamps	5016709AD
46	Relay	00/06	All	Mini SPDT w/ Bracket	4638271
		97/06	All	Micro SPDT	4608650
47	Wiper Switch	97/00	All	w/ Variable Intermittent Wipers	4793313
48	Wiring Harness Repair Kit	97/06	All	Multifunction Switch	5183442AA

* This part is not currently carried by Crown Automotive



Item #	Description	Years	Engine	Comments	Replaces Part #
Fuel Delivery					
1	Fuel Injector	97/02 03/04 05/06 97/98 99/04 05/06	2.5L 2.4L 2.4L 4.0L 4.0L 4.0L		53030778 53013490AA 53013656AA * 53030778 4854181 53013690AA
2	Fuel Injector O-Ring Kit	97/02 03/06 97/06	2.5L 2.4L 4.0L	4 Required 1 Required 6 Required	4504348 5103149AA 4504348
3	Fuel Injector Clip	97/06	4.0L		4418257AB
4	Fuel Module	97/99 97/02 03/04 05/06	All All All All	w/ 15 Gallon Tank; Includes Seal w/ 19 Gallon Tank; Includes Seal Includes Seal Includes O-Ring	5012951AD 5012952AD 5093788AA 5161335AF
5	Fuel Module Seal	97/04 05/06	All All		52018808 55366298AA
6	Fuel Regulator & Filter	97/02 97/04 03/04	2.5L 4.0L 2.4L	Located on Top of Fuel Module Located on Top of Fuel Module Located on Top of Fuel Module	4798301 4798301 4798301
7	Fuel Rail	97/06	4.0L		5014496AD

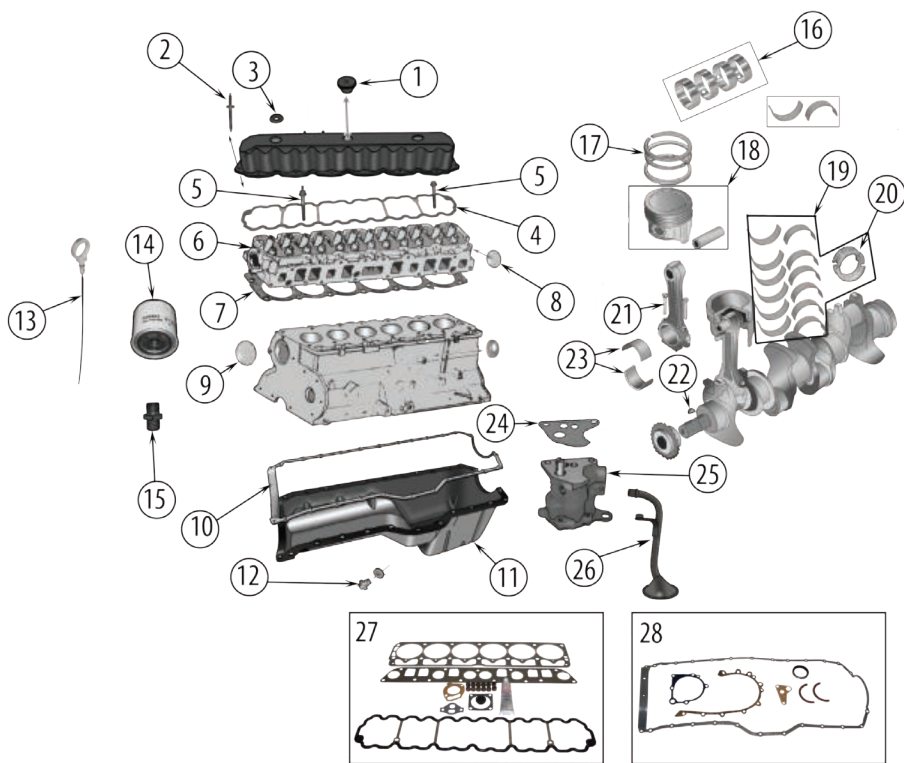
** This part is not currently carried by Crown Automotive*

Fuel Tank / Throttle Body



Item #	Description	Years	Engine	Comments	Replaces Part #
Fuel Tank & Related					
9	Fuel Filler Cap	97/00	All	Non-Locking, USA	52003774
		97/00	All	Locking w/ Coded Cylinder	82400041
		97/00	All	Non-Locking, Export	52100116AB *
		01/06	All	Non-Locking, USA	52102464AA
		01/06	All	Locking w/ Uncoded Cylinder	68030940AA
		01/06	All	Locking w/ Coded Cylinder	5015636AA
		01/06	All	Non-Locking, Export	52100553AE *
10	Fuel Tank Skid Plate	97/06	All		52100219AB
11	Fuel Tank Strap	97/06	All	L or R (2 Required)	52100235AD
Throttle Body					
12	Accelerator Cable	97/02	2.5L		4854137
		03/06	2.4L		52109501AB *
		97/06	4.0L		4854137
13	Idle Air Control Valve	97/98	2.5L		4874372
		99/02	2.5L		4874373AB
		03/04	2.4L		4591611AA
		05/06	2.4L		4861325AD *
		1997	4.0L	w/o Upgraded OBD-II Connectors	4637071
		1997	4.0L	w/ Upgraded OBD-II Connectors	4874373AB
		98/04	4.0L		4874373AB
		05/06	4.0L		4861552AC
14	Throttle Body Gasket	97/02	2.5L		53007543
		03/06	2.4L		53013533AA
		97/06	4.0L		53007543
15	Throttle Position Sensor	97/01	All		4874371AC
		02/06	All		5019411AD
16	Throttle Valve Cable	97/02	2.5L, 4.0L	w/ Automatic Transmission	52104352AA

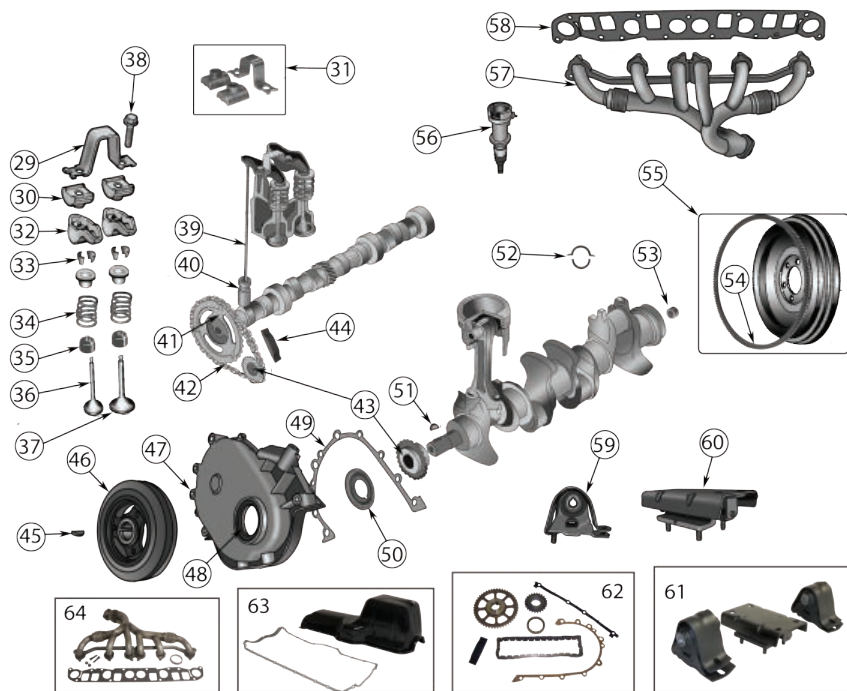
* This part is not currently carried by Crown Automotive



Item #	Description	Years	Comments	Replaces Part #
1	Oil Filler Cap	97/06 97/04	w/ 1-7/32" Twist On Threads w/ Aluminum Valve Cover	4777536 33001016AL
2	Valve Cover Mounting Stud	97/06		6035968AA
3	Valve Cover Mounting Grommet	97/06		53010424
4	Valve Cover Gasket	97/06	Silicone on Steel	53020758AC
5	Cylinder Head Bolt	97/06 97/06	w/o Dome; 1/2"-13 x 3.7" Long Double Ended; 1/2"-13, 7/16"-14 x 6" Long;	6035514 6035516
6	Cylinder Head	00/06	Bare Cylinder Head	53010334
7	Cylinder Head Gasket	97/03 04/06		33007143 53010587AA
8	Expansion Plug	97/06	2" Diameter	J3105394
9	Camshaft Plug	97/05	2-9/64" Diameter	J3172313

4.0 Liter AMC Engine

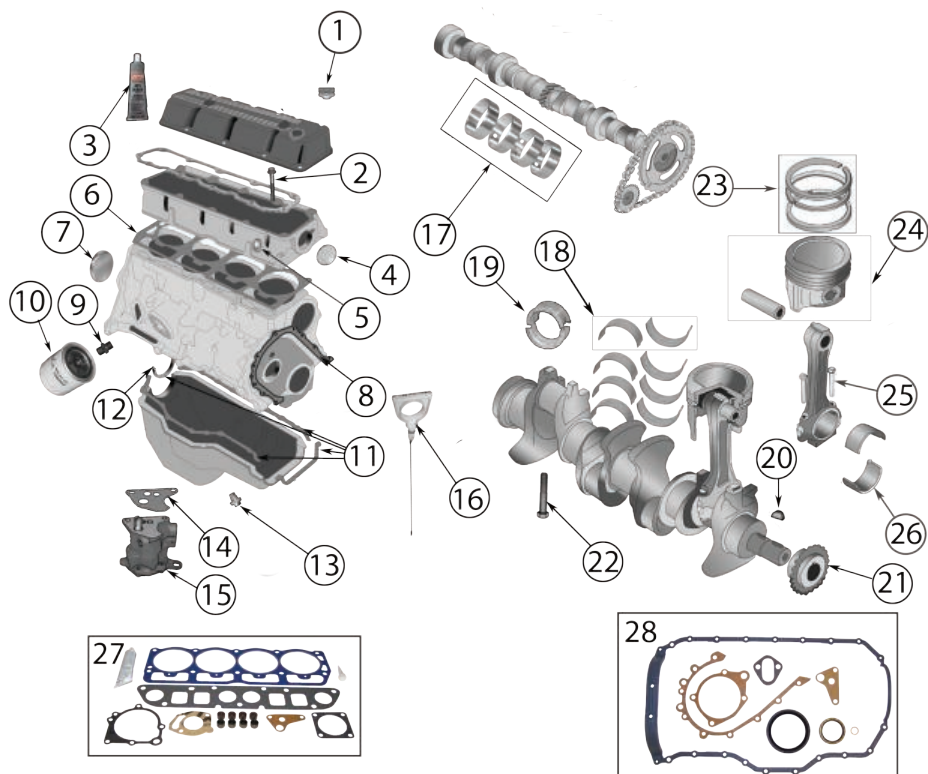
Item #	Description	Years	Comments	Replaces Part #
10	Oil Pan Gasket	97/06	1 Piece	53007568
11	Oil Pan	97/99 00/06		53020833AB 53010340AB
12	Oil Drain Plug	97/06	w/ 1/2"-20 Threads	6034376
13	Oil Level Indicator (Dipstick)	97/06		53010445
14	Oil Filter	97/06	w/ 3/4"-16 Threads	5281090
15	Oil Filter Connector	97/06		53007563AB
16	Camshaft Bearing Set	97/06 97/06	Standard, Set of 4 .010"; Set of 4; Undersized	J3205711 J3208985
17	Piston Ring Set	97/06 97/06 97/06 97/06	Standard; Set of 6 +.010"; Set of 6; Oversized +.020"; Set of 6; Oversized +.030"; Set of 6; Oversized	4798878 4798878010 4798878020 4798878030
18	Piston & Pin	97/06 97/06	+.020"; Each; Oversized Standard; Each	4798329020 4798329AB
19	Main Bearing Set	97/06 97/06	Standard w/ Centered Tab; Set of 6 +.010; Set of 6	83507079K 83507079K010
20	Crankshaft Thrust Bearing	97/06 97/06 97/06 97/06	Standard; 1 Required -.001"; 1 Required -.002"; 1 Required -.010"; 1 Required	J8133253 J8133681 J8133683 J8133255
21	Connecting Rod Bolt	97/06	Includes Nut	J4486626
22	Crankshaft Sprocket Key	97/06		J3107002
23	Connecting Rod Bearing Set	97/06 97/06	Standard; Set of 6 .010" Undersize; Set of 6	83500300K6 83500301K6
24	Oil Pump Gasket	97/06		J3172332
25	Oil Pump	97/06	Pickup Tube Not Included	J3241399
26	Oil Pump Pickup	97/06		33002696
27	Upper Gasket Set	97/99 00/06		4636982AD 5012365AD
28	Lower Gasket Set	97/99 00/06	w/ 1 Piece Oil Pan Gasket	4713221 5017432AC



Item #	Description	Years	Comments	Replaces Part #
29	Rocker Arm Bridge	97/06		J3236513
30	Rocker Arm Pivot	97/06		J3235090
31	Pivot Kit	97/06	Contains 2 Pivots & 1 Bridge	3236513K
32	Rocker Arm	97/06		J3242393
	Rocker Arm Kit	97/06	Includes 12 Rockers, 12 Pivots, & 6 Bridges	3242393K
33	Valve Spring Lock	97/99 00/06		33003521 53010515AA
34	Valve Spring	97/06	Intake or Exhaust	53010388
35	Valve Seal	97/06 97/06	Intake; Standard Exhaust; Standard	53009886 53009887
36	Intake Valve	97/99 00/06	Standard; w/ 1 Groove Standard; w/ 3 Grooves	33003515 53010512AA
37	Exhaust Valve	97/99 97/99 97/99 00/06	Standard w/ 1 Groove .003" w/ 1 Groove .015" w/ 1 Groove Standard	33003860 33003520 4637539 53010513AA
38	Rocker Arm Bolt	97/06	5/16"-18 x 1-3/8" Flanged	J8120512

4.0 Liter AMC Engine

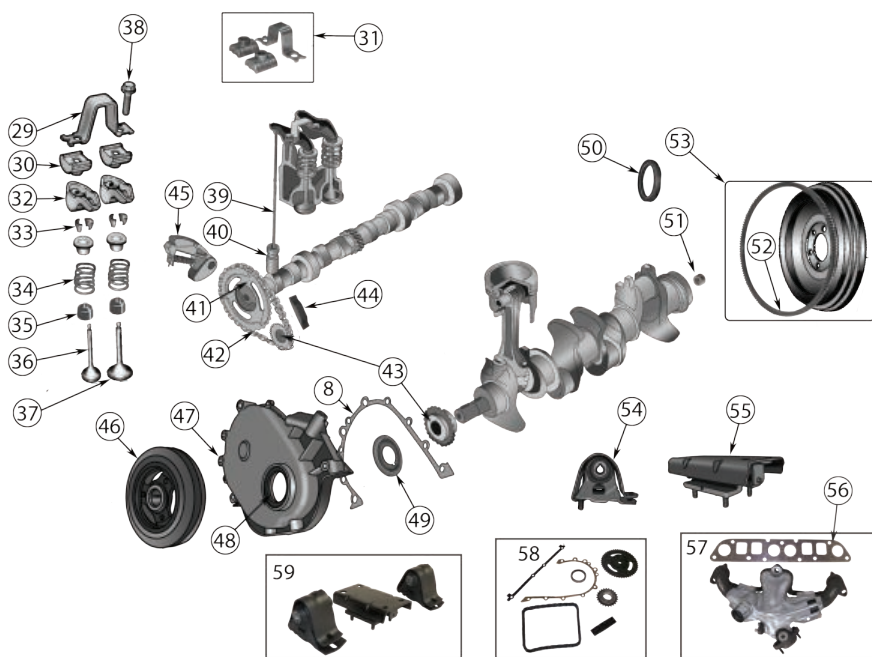
Item #	Description	Years	Comments	Replaces Part #
39	Push Rod	97/06	Intake or Exhaust	33002986
40	Lifter	97/06	Intake or Exhaust	J3222276
41	Camshaft Sprocket	97/98	.40" Tooth Thickness	53020445
		99/06	.40" Tooth Thickness	53010557AA
42	Timing Chain	97/06	.40" Tooth Thickness	53020444
43	Crankshaft Sprocket	97/06	.40" Tooth Thickness	53020443
44	Timing Chain Guide	97/06		33003446
45	Harmonic Balancer Key	97/06		J1107234
46	Harmonic Balancer	97/06		33002920
	Harmonic Balancer Kit	97/06	Includes Harmonic Balancer & Front Crankshaft Seal	33002920K
47	Timing Cover	97/99		53020222
48	Crankshaft Seal	97/06	Front	J3224704
49	Timing Cover Gasket	97/06		J3225187
50	Oil Slinger	97/00		J3173076
51	Timing Sprocket Key	97/06	Crankshaft	J3107002
52	Crankshaft Seal	97/99	Rear	4778126
		00/06	Rear	5018594AA
53	Crankshaft Pilot Bearing	97/06		53009181
		97/06	Includes Sleeve	53009180AB
54	Flywheel Ring Gear	97/06	w/ Manual Transmission; 164 Teeth	J3179741
55	Flywheel Assembly	97/04		53020519AB
		05/06		53010630AB
56	Oil Pump Drive	00/04		53010615AB
57	Exhaust Manifold	97/99	Includes Flex Bellows	4883385
		00/06	Front	53010196
		00/06	Rear	53010199
58	Manifold Gasket	97/99		53010238
		00/06		4854038
59	Engine Mount	97/06	Left or Right	52019278
60	Transmission Mount	97/06		52058551
61	Engine Mount Kit	97/06	Includes Engine Mounts & Transmission Mount	52019278K
62	Timing Chain Kit	97/98	Includes Timing Chain, Sprockets, Guide, & Gaskets	53020444KE
		99/06	Includes Timing Chain, Sprockets, Guide, & Gaskets	53020444KL
63	Oil Pan Kit	97/99	Includes Oil Pan & Gasket	53020833K
		00/06	Includes Oil Pan & Gasket	53010340K
64	Manifold Kit	97/99	Includes Manifold & Gasket, Exhaust Seal, & Studs	4883385K



Item #	Description	Years	Comments	Replaces Part #
1	Oil Filler Cap	97/02	w/ Fuel Injection	J8132312
2	Cylinder Head Bolt	97/02	1/2" - 13 x 3.7" Long	6035514
3	Valve Cover Gasket	97/02	RTV Silicone	J8993317
4	Expansion Plug	97/02	2" Diameter	J3105394
5	Expansion Plug	97/02	7/8" Diameter	J3172319
6	Cylinder Head Gasket	97/02		53009549AB
7	Camshaft Plug	97/02	2-9/64" Diameter	J3172313
8	Timing Cover Gasket	97/02		J3225187
9	Oil Filter Connector	97/02		53007563AB

2.5 Liter AMC Engine

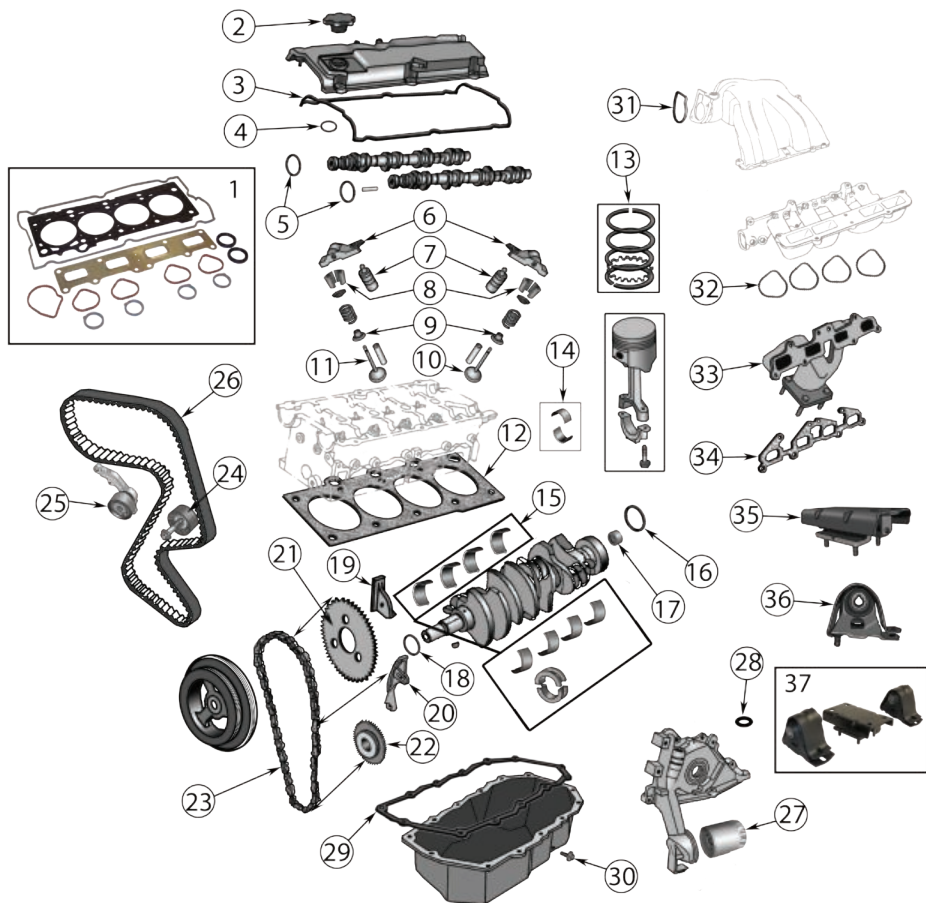
Item #	Description	Years	Comments	Replaces Part #
10	Oil Filter	97/02	w/ 3/4"-16 Threads	5281090
11	Oil Pan Gasket Set	97/02	Cork & Rubber Set	83504661
	Oil Pan Gasket	97/02	1 Piece Silicone	4713021
12	Oil Pan to Rear Main Bearing Gasket	97/02		33004732
13	Oil Drain Plug	97/02	w/ 1/2"-20 Threads	6034376
14	Oil Pump Gasket	97/02		J3172332
15	Oil Pump	97/02	Pickup Tube Not Included	J3241399
16	Oil Level Indicator (Dipstick)	97/02		53010444
17	Camshaft Bearing Set	97/02	Standard; Set of 4	J3205711
		97/02	.010" Undersize; Set of 4	J3208985
18	Main Bearing Set	97/02	Standard; Set of 4	83507079K4
19	Crankshaft Thrust Bearing	97/02	Standard; 1 Required	J8133253
		97/02	.001"; 1 Required	J8133681
		97/02	.002"; 1 Required	J8133683
		97/02	.010"; 1 Required	J8133255
20	Crankshaft Sprocket Key	97/02		J3107002
21	Crankshaft Sprocket	97/02		33004020
22	Crankshaft Main Bearing Cap Bolt	97/02	1/2"-13 x 3"	J4006948
23	Piston Ring Set	97/02	Standard, Set of 4	4798324
24	Piston & Pin	97/02	Standard; Each	4798329AB
		97/02	.020"; Each	4798329020
25	Connecting Rod Bolt	97/02	Includes Nut	J4486626
26	Connecting Rod Bearing	97/02	Standard; Each	83500300
		97/02	Standard; Set of 4	83500300K4
		97/02	.010" Undersize; Each	83500301
		97/02	.010" Undersize; Set of 4	83500301K4
27	Upper Gasket Set	97/02		4798992AD
28	Lower Gasket Set	97/02	w/ 1-Piece Oil Pan Gasket	4713023



Item #	Description	Years	Comments	Replaces Part #
29	Rocker Arm Bridge	97/02		J3236513
30	Rocker Arm Pivot	97/02	Intake or Exhaust	J3235090
31	Pivot Kit	97/02	Contains 2 Pivots & 1 Bridge	3236513K
32	Rocker Arm	97/02	Intake or Exhaust	J3242393
33	Valve Spring Lock	97/98	Intake or Exhaust; w/ 1 Radius Cut Groove	33003521
		00/02	Intake or Exhaust; w/ 3 Radius Cut Grooves	53010515AA
34	Valve Spring	97/02		53010388
35	Valve Seal	97/02	Intake	53009886
		97/02	Exhaust	53009887
36	Exhaust Valve	97/98	w/ 1 Radius Cut Groove; Standard	33003860
		97/98	.003" w/ 1 Radius Cut Groove	33003520
		97/98	.015"	4637539
		99/02	w/ 3 Grooves; Standard	53010513AA

2.5 Liter AMC Engine

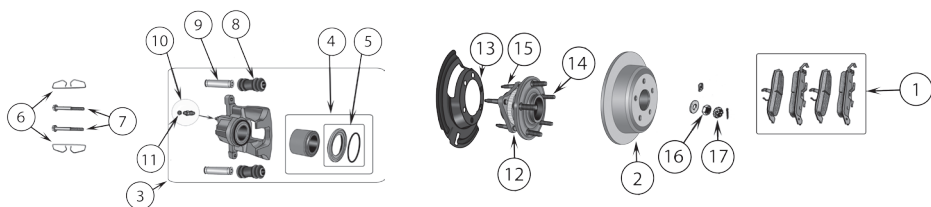
Item #	Description	Years	Comments	Replaces Part #
37	Intake Valve	97/98	w/ 1 Radius Cut Groove; Standard	33003515
		99/02	w/ 3 Grooves ; Standard	53010512AA
38	Rocker Arm Bolt	97/02	5/16"-18 x 1-3/8"	J8120512
39	Push Rod	97/02		J3241709
40	Lifter	97/02		J3222276
41	Camshaft Sprocket	97/02		J3242280
42	Timing Chain	97/02		J3242300
43	Crankshaft Sprocket	97/02		33004020
44	Timing Chain Snubber	97/02		33003446
45	Timing Chain Tensioner	97/02		33003421
46	Harmonic Balancer	97/02	w/ Serpentine Drive	33002879AB
47	Timing Cover	97/02		53020222
48	Crankshaft Seal	97/02	Front	J3224704
49	Oil Slinger	97/00	Front	J3173076
50	Crankshaft Seal	97/02	Rear	33004143
51	Crankshaft Pilot Bearing	97/00		J3250005
		01/02	w/ Sleeve	53009180AB
52	Flywheel Ring Gear	97/02	11-1/2" Diameter; 148 Teeth	J3241718
53	Flywheel Assembly	97/02		53020578
54	Engine Mount	97/02	Left or Right	52019276
55	Transmission Mount	97/02		52058551
56	Manifold Gasket	97/02		J3242854
57	Exhaust Manifold Kit	97/02	Includes Heat Shield, Studs, EGR Plate, & Gasket	53008860K
58	Timing Chain Kit	97/02	Includes Timing Chain, Sprockets, Guide, & Gaskets	3242300K
59	Engine Mount Kit	97/02	Includes 2 Engine Mounts & 1 Transmission Mount	52019276K



Item #	Description	Years	Comments	Replaces Part #
1	Upper Gasket Set	03/06		5072474AC
2	Oil Filler Cap	03/06		4777536
3	Valve Cover Gasket	03/06		4777478
4	Spark Plug Well Gasket	03/06	4 required	4777477
5	Camshaft Seal	03/06	Front	4777086
6	Rocker Arm	03/06	Intake or Exhaust	4884042AA
7	Lifter	03/06	Intake or Exhaust	4777976AA

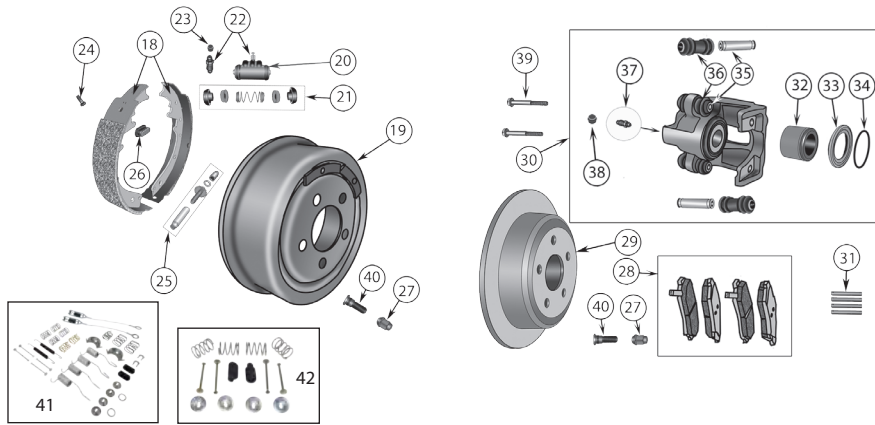
2.4 Liter Daimler-Chrysler Engine

Item #	Description	Years	Comments	Replaces Part #
8	Valve Spring Lock	04/06	Intake or Exhaust; 2 Required Per Valve	4777050AC
9	Valve Seal	03/06	Intake or Exhaust	4648619
10	Exhaust Valve	03/06	Standard	4884690AA
11	Intake Valve	03/06	Standard	4884691AA
12	Cylinder Head Gasket	03/06		4884443AD
13	Piston Ring Set	03/06	Standard; For 4 Pistons	5073524AA
14	Connecting Rod Bearing Set	03/06	Standard; For 4 Bearings	5093448K
		03/06	.25mm Undersize; 4 Bearings	5093450K
		03/06	.5mm Undersize; 4 Bearings	5093448K5
		03/06	.75mm Undersize; 4 Bearings	5093448K75
15	Main Bearing Set	03/06	Standard	5012582K
		03/06	.25mm Undersize	5012584K
16	Crankshaft Seal	03/06	Rear	4621939AB
17	Crankshaft Pilot Bearing	03/04		52104337AA
		05/06	1" OD	53009181
18	Crankshaft Seal	03/06	Front	4667198
19	Balance Shaft Chain Guide	03/06		4884472AA
20	Balance Shaft Chain Tensioner	03/06		4343662
21	Crankshaft Sprocket	03/06		4621541
22	Balance Shaft Gear	03/06	Lower	4483485
23	Balance Shaft Chain	03/06		4621996
24	Timing Belt Idler Pulley	03/06		4781569AB
25	Timing Belt Tensioner	03/06		4781570AB
26	Timing Belt	03/06		4621844
27	Oil Filter	03/06		4105409
28	Oil Pickup Tube O-Ring	03/06		6032920
29	Oil Pan Gasket	03/06		4621579
30	Oil Drain Plug	03/06		6034376
31	Throttle Body Seal	03/06		53013533AA
32	Intake Manifold Gasket	03/06	4 Required	4884648AA
33	Exhaust Manifold	03/06		53013263AB
34	Exhaust Manifold Gasket	03/06		4781255AA
35	Transmission Mount	03/06		52058551
36	Engine Mount	03/06	Left or Right	52019276
37	Engine Mount Kit	03/06	Includes 2 Engine Mounts & 1 Transmission Mount	52019276K



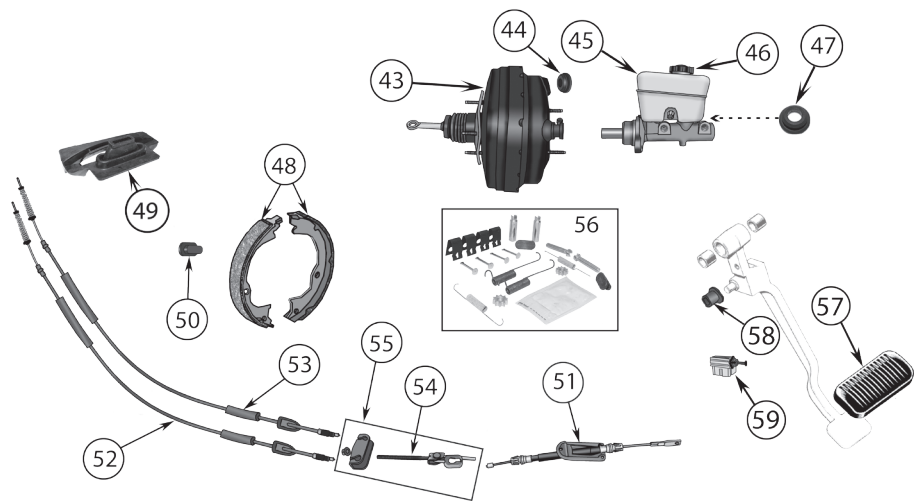
Item #	Description	Year	Location	Notes	Replaces Part #
Front Brakes					
1	Brake Pad Set	97/06	L & R	Semi-Metallic	5252531
2	Brake Rotor	97/99	L or R	2-Piece Composite Type	52005000
		99/06	L or R	1-Piece Cast Type	5016434AA
3	Brake Caliper	97/06	Left	Left, w/o Pads	5252985
		97/06	Right	Right, w/o Pads	5252984
4	Caliper Rebuild Kit	97/06	L or R	Includes 1 Piston, 1 Seal, & 1 Boot	5252614
5	Caliper Seal Kit	97/06	L or R	Includes 1 Seal & 1 Boot	J8133852
6	Caliper Support Spring	97/06	L or R	Upper or Lower Anti-Rattle Clip	J3239865
7	Caliper Bolt	97/06	L or R	M8 X 1.25 X 65mm	5253000
8	Caliper Bushing	97/06	L or R		4383471
9	Caliper Sleeve	97/06	L or R		4423573
10	Bleeder Screw	97/06	L or R	Cap Not Included; 3/8"-24 X 1-1/8" Long	J8129722
11	Bleeder Screw Cap	97/06	L or R		5093278AB
12	Hub Assembly	97/99	L or R	w/ 2-Piece Composite Rotor	53007449
		99/06	L or R	w/ 1-Piece Cast Rotor	53007449AC
13	Brake Dust Shield	97/06	Left		52005477
		97/06	Right		52005476
14	Wheel Stud	97/99	L or R	w/ 2-Piece Composite Rotor	53007463
		99/06	L or R	w/ 1-Piece Cast Rotor	6036482AA
15	Knuckle to Hub Bolt	97/06	L or R	3 Required Per Side	34201535
16	Hub Nut	97/06	L or R		J4200095
17	Hub Nut Retainer	97/06	L or R		J4200097
Rear Brakes					
18	Brake Shoe Set	97/00	L & R	Until 3/9/2000; 9" X 2-1/2"	4423606
		00/06	L & R	After 3/9/2000; 9" X 2-1/2"	5019536AA
19	Brake Drum	97/06	L or R	9" X 2-1/2"	52005350
20	Wheel Cylinder	1997	L or R	3/4" Bore	4313056
		1997	L or R	13/16" Bore	4423601
		98/00	L or R	Until 3/9/00; 13/16" Bore	4423601
		00/06	L or R	After 3/9/00; 3/4" Bore	4313056
21	Wheel Cylinder Repair Kit	1997	L or R	For 3/4" Bore Wheel Cylinders	5252631
		97/00	L or R	Until 3/9/00; 13/16" Bore Wheel Cylinders	5252630
		00/06	L or R	After 3/9/00; 3/4" Bore Wheel Cylinders	5252631
22	Bleeder Screw	97/06	L or R	w/ Drum Brakes; 5/16"-24 Threads	3766674

Rear



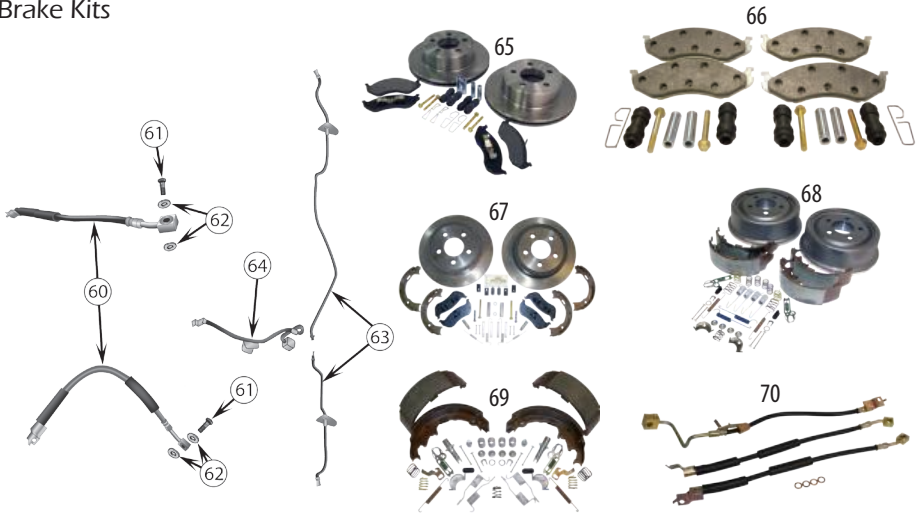
Item #	Description	Year	Location	Notes	Replaces Part #
23	Bleeder Screw Cap	97/06	L or R		5093278AB
24	Brake Backing Plate Bolt	97/06	L or R	w/ Dana 44 Rear Axle	J0994313
25	Drum Brake Adjuster	97/06	Right	Right Hand Threads	4713356
		97/06	Left	Left Hand Threads	4713357
26	Drum Brake Adjuster Cover	97/06	L or R		J3201957
27	Wheel Nut	97/06	F or R	Black; 1/2"-20 Threads	J4006956BLK
	Wheel Nut Kit	97/06	F or R	Stainless Capped; 1/2"-20 Threads	J4006956
		97/06	F & R	Black; 1/2"-20 Threads; Incl. 20 Wheel Nuts	4006956BLKK
28	Brake Pad Set	03/06	L & R	Semi-Metallic	5093511TI
29	Brake Rotor	03/06	L or R		52128411AB
30	Brake Caliper	03/06	Left	w/o Pads	5191825AA
		03/06	Right	w/o Pads	5093542AA
31	Brake Pad Clip	03/06	L or R	4 Required Per Side	5093394AB
32	Caliper Piston	03/06	L or R		4762111
33	Caliper Piston Boot	03/06	L or R		5093277AA
34	Caliper Piston Seal	03/06	L or R		5093276AA
35	Caliper Sleeve	03/06	L or R		4423573
36	Caliper Bushing	03/06	L or R		4762106
37	Bleeder Screw	03/06	L or R	w/ Disc Brakes; 3/8"-24 X 1-1/8" Long	J8129722
38	Bleeder Screw Cap	97/06	L or R		5093278AB
39	Caliper Bolt	03/06	L or R	M8 X 1.25 X 65mm	5253000
40	Wheel Stud	97/02	L or R		83503053
		03/06	L or R		53007463
41	Drum Brake Hardware Kit	97/06	L & R	Includes Springs, Cables, & Guides	4636779
42	Brake Shoe Hold Down Kit	97/06	L & R	Includes Springs, Pins, Locks, & Adjusting Hole Plugs	4049681

Parking Brakes, Hydraulics, Miscellaneous



Item #	Description	Year	Location	Notes	Replaces Part #
Hydraulics, Parking Brake Cables, & Miscellaneous					
43	Brake Booster	97/06			4798158AC
44	Brake Booster Check Valve Grommet	97/06			4723640
45	Master Cylinder	97/06			4798157
46	Master Cylinder Cap	97/06			4683656
47	Master Cylinder Grommet	97/06		2 Required; Reservoir to Master Cylinder	4723389
48	Parking Brake Shoe Set	03/06	Rear	w/ Disc Brakes	5093390AA
49	Parking Brake Lever Boot	03/06	Rear	w/ Disc Brakes	5093395AA
50	Parking Brake Adjuster Plug	03/06	Rear	w/ Disc Brakes	4762121
51	Parking Brake Cable	97/06	Front		52128206AD
52	Parking Brake Cable	97/06	L or R, Rear	w/ Rear Drum Brakes, 43.125" Long	52008362
53	Parking Brake Cable	03/06	Left Rear	w/ Rear Disc Brakes, 43.8" Long; w/o Unlimited Package	52008905
	Parking Brake Cable	03/06	Right Rear	w/ Rear Disc Brakes, 34.25" Long; w/o Unlimited Package	52008904
54	Parking Brake Adjuster	1997			52007842
55	Parking Brake Adjuster Kit	98/06		Includes Equalizer & Nut	52009527
56	Parking Brake Hardware Kit	03/06	L & R	w/ Disc Brakes; Includes Springs, Pins, & Adjusters	5093390HK
57	Brake Pedal Pad	97/98 99/06 1997 98/06		w/ Automatic Transmission w/ Automatic Transmission w/ Manual Transmission w/ Manual Transmission	52078540 68031956AA 52009562 52002750
58	Brake Pedal Bushing	97/06		Isolates Brake Pedal From Brake Booster Linkage	4446361
59	Brake Light Switch	97/06			56042023
60	Brake Hose	97/06 97/06	Left Front Right Front		52008675 52008674

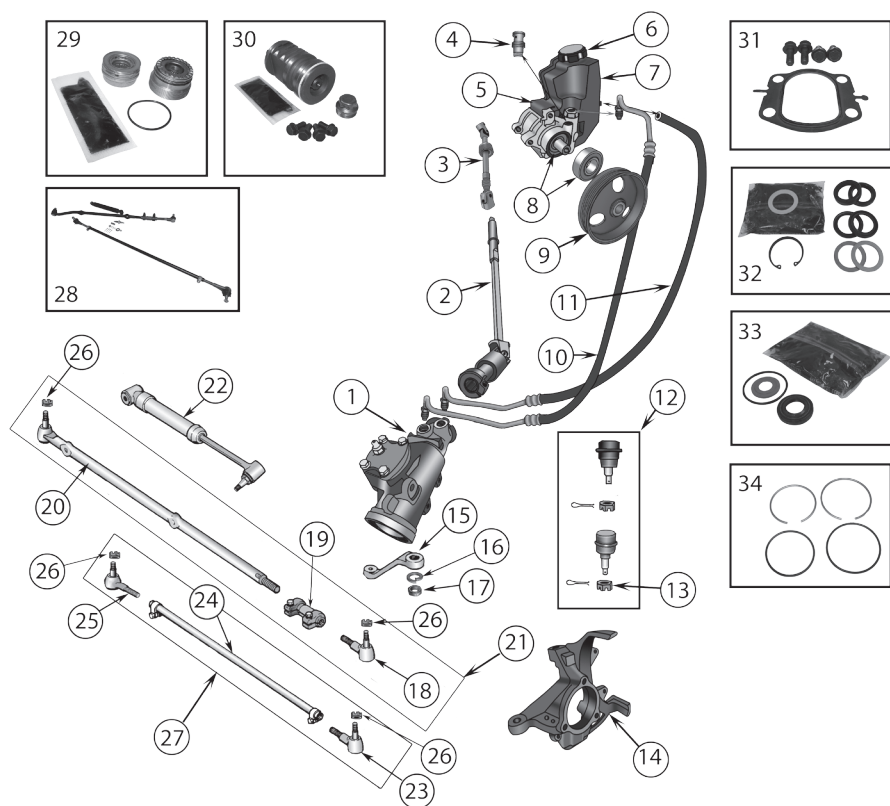
Brake Kits



Item #	Description	Year	Location	Notes	Replaces Part #
61	Brake Hose Bolt	97/06 03/06	Front Rear	3/8"-24 Threads w/ Rear Disc Brakes; 3/8"-24 Threads	6035911AA 6035911AA
62	Brake Hose Washer	97/06	F or R		J3236434
63	Brake Hose	03/06 03/06	Right Rear Left Rear	w/ Rear Disc Brakes w/ Rear Disc Brakes	52128430AC 52128431AC
64	Brake Hose	97/06	Rear	Frame to Axle	52008391

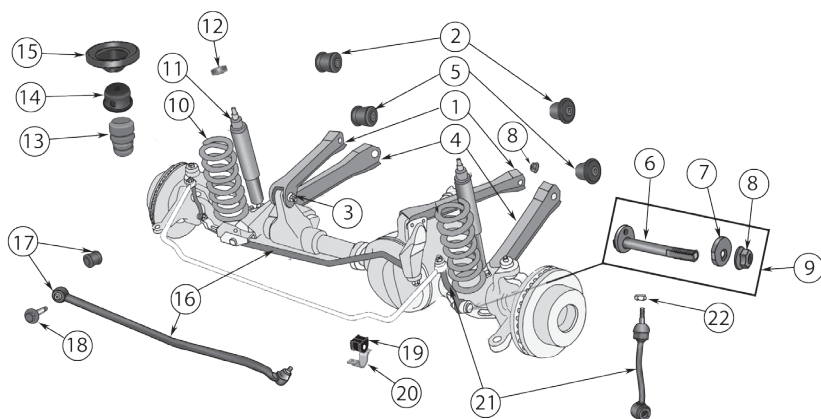
Crown Kits

65	Disc Brake Service Kit	97/99 99/06	Front Front	w/ 2-Piece Composite Rotor; Includes Pads, Rotors, & Hardware w/ 1-Piece Cast Rotor; Includes Pads, Rotors, & Hardware	52008440K 5016434K
66	Brake Pad Service Kit	97/06	Front	Includes Pads, Caliper Bushings, Sleeves, Clips, & Pins	4778058MK
67	Disc Brake Service Kit	03/06	Rear	Includes Pads, Rotors, Parking Brake Shoes, & Hardware	52128411K
68	Drum Brake Service Kit	97/00 00/06	Rear Rear	Until 3/9/2000; Includes Drums, Shoe Set, & Hardware After 3/9/2000; Includes Drums, Shoe Set, & Hardware	52005350KE 52005350KL
69	Brake Shoe Service Kit	97/00 00/06	Rear Rear	Until 3/9/2000; Includes Shoe Set, Hardware Kit, & Adjusters After 3/9/2000; Includes Shoe Set, Hardware Kit, & Adjusters	4723367MK 5019536MK
70	Brake Hose Kit	97/06	F & R, L & R	Includes Front & Rear Hoses & Washers	BHK3



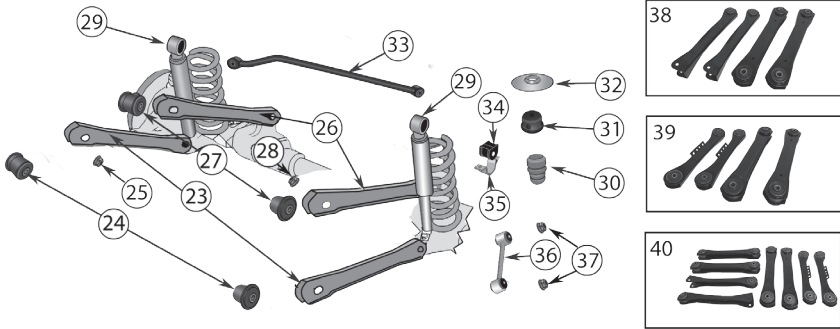
Item #	Description	Years	Comments	Replaces Part #
1	Steering Gear Assembly	97/98 97/02 03/06	LHD; w/ Manual Steering LHD; w/ Power Steering LHD; w/ Power Steering	52000089 52089046AC 52088993AD *
2	Steering Shaft	97/99	Lower	52078705
3	Steering Shaft	97/00	Upper	5102531AA
4	Power Steering Pump Flow Control Valve	97/06	w/ 4.0L Engine	83503489
5	Power Steering Pump	97/02 97/06 03/06	w/ 2.5L Engine; Reservoir Not Included w/ 4.0L Engine; Reservoir Included w/ 2.4L Engine; Reservoir Not Included	52088018 52087871 52089018AE
6	Power Steering Reservoir Cap	97/06 97/06	w/ 4.0L Engine w/ 2.4L, 2.5L Engines	4897287AA 4694766
7	Power Steering Reservoir	97/06 97/06	w/ 4.0L Engine w/ 2.4L, 2.5L Engines	52037544 52087713AB *
8	Power Steering Pump Bearing	97/06	Front	83504034
9	Power Steering Pump Pulley	97/06	w/ 2.5L, 4.0L Engine; 3" Diameter; 6 Grooves	53010258AB

Item #	Description	Years	Comments	Replaces Part #
10	Power Steering Pressure Hose	97/02	LHD; w/ 2.5L Engine	52088548AB
		97/02	LHD; w/ 4.0L Engine	52087902AB
		03/06	LHD; w/ 4.0L Engine	52089168AD
		03/06	LHD; w/ 2.4L Engine	52089016AD *
11	Power Steering Return Hose	97/02	Steering Gear to Reservoir; LHD; w/ 2.5L Engine	52087926 *
		97/02	Steering Gear to Reservoir; LHD; w/ 4.0L Engine	52038423AB
		03/06	Steering Gear to Reservoir; LHD; w/ 4.0L Engine	52089169AE
12	Ball Joint Set	97/06	Includes 1 Upper & 1 Lower Ball Joint w/ Hardware	83500202
13	Ball Joint Nut	97/06	Lower, L or R; 5/8"-18 Threads	J8123318
14	Steering Knuckle	97/06	Left	52067577
		97/06	Right	52067576
15	Pitman Arm	97/98	LHD w/ Manual Steering	52087883
		97/06	LHD w/ Power Steering	52038337
	97/06	RHD w/ Power Steering	52038338	
	Drop Pitman Arm	97/06	LHD w/ Power Steering; (1" Drop)	52000615
		97/06	LHD w/ Power Steering; (2" Drop)	52005285
16	Pitman Arm Lock Washer	97/06		50103336
17	Pitman Arm Nut	97/95	w/ Power Steering	J3200501
18	Tie Rod End	97/06	Drag Link at Pitman Arm; w/ Left Hand Threads	52005739
19	Steering Adjuster	97/06	Drag Link; Includes Hardware	52005742
20	Drag Link	97/06	LHD	52087887
		97/06	RHD	52006582
21	Drag Link Assembly	97/06	LHD; Includes 2 Tie Rod Ends & Adjuster w/ Hardware	52087887K
22	Steering Stabilizer	97/06	LHD; Includes Hardware	52087827
23	Tie Rod End	97/06	Tie Rod; Left Side ; w/ Left Hand Threads	52005741
24	Steering Adjuster	97/06	Tie Rod; 34.5" Long; Includes Hardware	52087674
25	Tie Rod End	97/06	Tie Rod; to Drag Link; w/ Right Hand Threads	52005740
26	Tie Rod End Nut	97/06	Tie Rod or Drag Link to Knuckle or Pitman Arm	J0274428
27	Tie Rod Assembly	97/06	LHD; Includes 2 Tie Rod Ends & Adjuster w/ Hardware	52087674K
28	Steering Kit	97/06	LHD; Includes 4 Tie Rod Ends, Adjusters, Stabilizer & Hardware	SK2
29	Steering Gear Thrust Bearing Repair Kit	97/02	w/ Power Steering	4897000AA
30	Steering Gear Rack Kit	97/02	w/ Power Steering; Includes Rack, Hardware, & Grease	4713061
31	Steering Gear Access Cover Gasket Kit	97/02	Includes Gasket & 4 Bolts	J8125038
32	Steering Gear Sector Shaft Seal Kit	97/02	w/ Power Steering	4470365
33	Steering Gear Adjuster Plug Seal Kit	97/02	w/ Power Steering	4886349AA
34	Steering Gear End Plug Seal Kit	97/02	w/ Power Steering; Includes Seals & Retaining Rings	J8125037

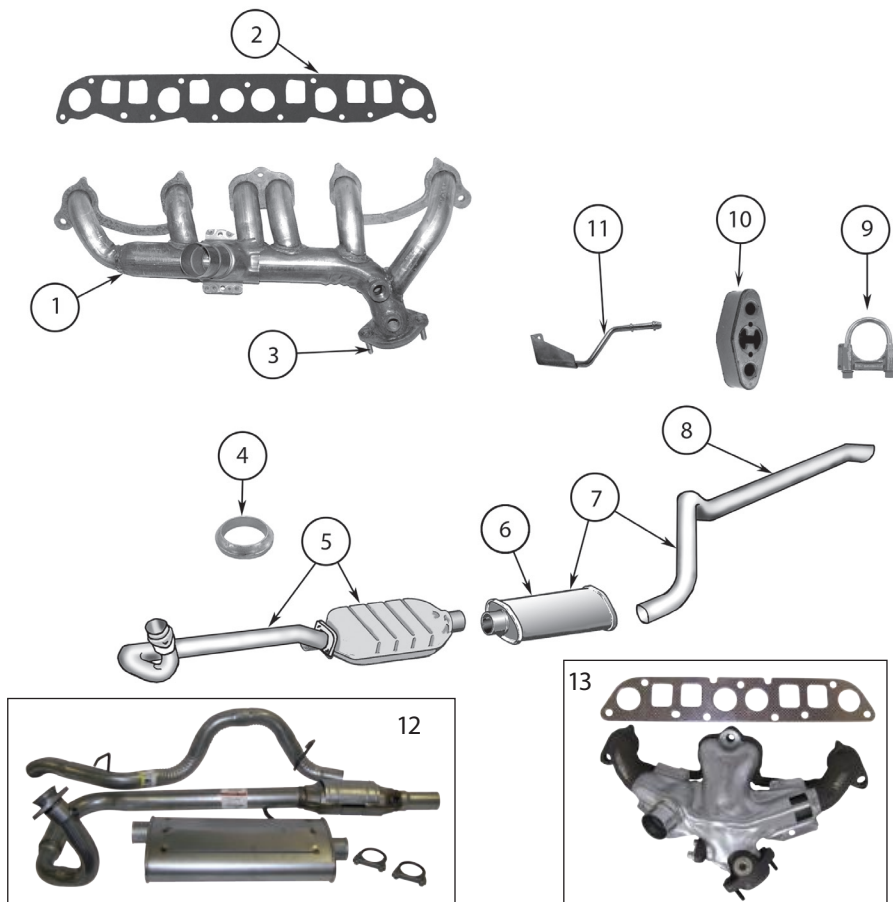


Item #	Description	Years	Position	Comments	Replaces Part #
Front Suspension					
1	Upper Control Arm	97/06	L or R	Includes Bushing	52087711
2	Control Arm Bushing	97/06	Upper	Axle or Frame Side	52087852
3	Control Arm Nut	97/06	Upper	Axle Side; M10 X 1.5; Flanged Locking Nut	6502696
4	Lower Control Arm	97/06	L or R	Includes Bushings	52001162
5	Control Arm Bushing	97/06	Lower	Axle or Frame Side	52088433
6	Control Arm Cam Bolt	97/06	Lower	M14 X 2 X 112mm; w/ Offset Cam	6504238
7	Control Arm Cam Washer	97/06	Lower		6504236AB
8	Control Arm Nut	97/06	Lower	M14 X 2; Flanged Locking Nut	6502698
9	Control Arm Cam Bolt Kit	97/06	Lower	Includes Cam Bolt, Cam Washer, & Nut; M14 x 2	6504238K
10	Coil Spring	97/06	L or R		52088129
11	Shock Absorber	97/06	L or R	w/ Off-Road Suspension	4886533AB
				w/ Standard Suspension	4897567AA
12	Shock Absorber Bushing	97/06	L or R	Upper; 2 Required per Shock Absorber	52087768
13	Bump Stop	97/06	L or R		52087636AC
14	Bump Stop Cup	97/06	L or R		52087635
15	Coil Spring Isolator	97/06	Upper		52087767
16	Track Bar	97/06		LHD	52088432
				RHD	52088430
17	Track Bar Bushing	97/06		Axle Side	52088431
18	Track Bar Bolt	97/06		Axle Side	6505549AA
19	Sway Bar Bushing	97/06	L or R		52088378
20	Sway Bar Bushing Bracket	97/06	L or R		52037710AC
21	Sway Bar Link	97/06	L or R		52087771
22	Sway Bar Link Nut	97/06	L or R	Sway Bar Side; M10 X 1.5 Nylon Lock Nut	6502979

Rear & Control Arm Kits



Item #	Description	Years	Position	Comments	Replaces Part #
Rear Suspension					
23	Control Arm	97/06	Lower	Includes Bushings	52001162
24	Control Arm Bushing	97/06	Lower	Axle or Frame Side	52088433
25	Control Arm Nut	97/06	Lower	Axle or Frame Side; M14 X 2; Flanged Locking Nut	6502698
26	Control Arm	97/06	Upper	Includes Bushings	52087854
27	Control Arm Bushing	97/06	Upper	Axle or Frame Side	52087709
28	Control Arm Nut	97/06	Upper	Axle Side; M10 X 1.5; Flanged Locking Nut	6502696
		97/06	Upper	Frame Side; M10 X 1.5 Threads	6503648 *
29	Shock Absorber	97/06	L or R	w/ Standard Suspension	52087835AB
		97/06	L or R	w/ Off-Road Suspension	52088651AG
		97/06	L or R	w/ 3" Lift	RT21030
30	Bump Stop	97/06	L or R		52087636AC
31	Bump Stop Cup	97/06	L or R		52087635
32	Coil Spring Isolator	97/06	Upper		52087832
33	Track Bar	97/06		LHD	52087878
		97/06		RHD	52088175
34	Sway Bar Bushing	97/06	L or R		52088125
35	Sway Bar Bushing Bracket	97/06	L or R		52087865AB
36	Sway Bar Link	97/06	L or R		52087863
		97/06	L or R	w/ Poly Bushing & Boot	RT21032
37	Sway Bar Nut	97/06	L or R	Sway Bar Side; M10 X 1.5; Flanged Locking Nut	6502696
Control Arm Kits					
38	Control Arm Kit	97/06	Front	Includes Left & Right, Upper & Lower Control Arms	CAK12
39	Control Arm Kit	97/06	Rear	Includes Left & Right, Upper & Lower Control Arms	CAK11
40	Control Arm Kit	97/06	Front & Rear	Includes Left & Right, Upper & Lower Control Arms	CAK13

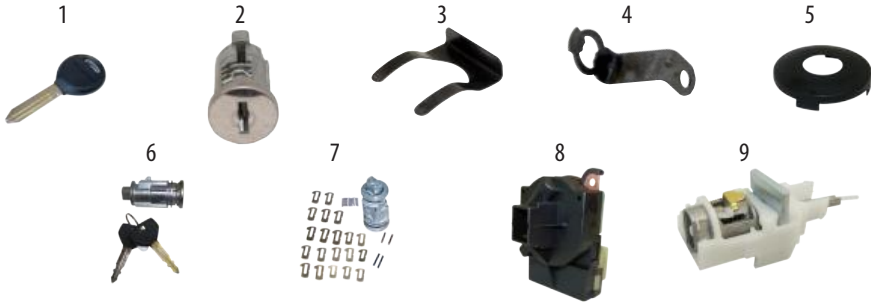


Item #	Description	Engine	Years	Comments	Replaces Part #
1	Manifold, Exhaust	2.5L	97/02		53008860K
		2.4L	03/06		53013263AB
		4.0L	97/99	Includes Flex Bellows	4883385
		4.0L	00/06	Front	53010196
		4.0L	00/06	Rear	53010199
		4.0L	97/99	Stainless Steel Header	RT36002
2	Gasket, Manifold	2.5L	97/02	Intake & Exhaust	J3242854
		2.4L	03/06	Exhaust	4781255AA
		4.0L	97/99	Intake & Exhaust	53010238
		4.0L	00/06	Intake & Exhaust	4854038

Item #	Description	Engine	Years	Comments	Replaces Part #
3	Exhaust Manifold Stud	2.5L	97/02	3/8"-16x1.69"	J4007109
		4.0L	97/99	3/8"-16x1.69"	J4007109
4	Seal, Front Pipe to Manifold	4.0L	97/99		52005431
5	Exhaust Pipe, Front	2.5L	97/99	w/ Catalytic Converter	52018933
		2.5L	2000	Until 1/24/2000; w/ Federal & Euro. Emissions; w/o Converter	52018933
		2.4L	05/06	w/ Catalytic Converter; Not Carb Approved	52059730AB
		4.0L	97/98	w/ Catalytic Converter	52018934
		4.0L	1999	w/ Catalytic Converter; w/ Federal Emissions	52018934
		4.0L	00/02	After 1/25/2000; w/ Flange; w/ 2 Catalytic Converters	5114461AA
		4.0L	04/06	Includes 3 Catalytic Converters	52059681AD
6	Muffler	2.5L	97/00	w/o Flange	E0021337
		2.4L	03/06	w/ Flange	E0021456
		4.0L	97/00	w/o Flange (Before 1/24/00)	E0021337
		4.0L	00/06	w/ Flange (After 1/24/00) w/o Unlimited Pkg.	E0021456
7	Muffler & Tailpipe	2.5L	97/02		52019242AC
		2.4L	03/06		52019241AF
		4.0L	97/98		52019241
		4.0L	99/00	Until 1/24/2000; w/o Flange	52019241AC
		4.0L	00/06	After 1/24/2000; w/o Unlimited Pkg.; w/ Flange	52019241AF
8	Tailpipe	2.5L	97/02		E0054227
		4.0L	97/06	w/o Unlimited Package	E0054227
9	Exhaust Clamp	All	97/06	2"	J8126663
		All	97/06	2.25"	83300061
		All	97/06	2.5"	4004445
10	Insulator, Tailpipe Hanger	All	97/06	2 Required	52101035
11	Hanger, Muffler	All	05/06		52019408AC
12	Exhaust Kit	2.5L	97/99		52018933K
		2.5L	2000	w/ Federal Emissions	52018933K
		4.0L	97/98		52018934K
		4.0L	1999	w/ Federal Emissions	52018934K
13	Exhaust Manifold Kit	2.5L	97/02	Includes Manifold w/ Heat Shield, Gasket, Studs, EGR Block-Off Plate, & Gasket	53008860K
		4.0L	97/99	Includes Manifold, Gasket, Exhaust Seal, & Studs	4883385K



Item #	Description	Years	Engine	Comments	Replaces Part #
1	A/C Condenser	97/99	2.5L, 4.0L		55036366
		03/06	2.4L		55037618AD
		00/06	4.0L		55037618AD
		00/02	2.5L		55037618AD
2	A/C Compressor	97/98	2.5L, 4.0L	Clutch & Pulley Included	55037205AB
3	Evaporator Core	97/01	2.5L, 4.0L	LHD	4864999AB
		02/06	All	LHD	5073178AA
4	A/C Line O-Ring	97/02	All	1/2" Green A/C Liquid Line	4741705
5	Blower Motor	97/01	All	LHD	4886150AA
		02/06	All	LHD	5139720AA
6	Blower Control Switch	99/01	All	LHD or RHD	5011214AA
		02/04	All	RHD	5011214AA
7	Blower Motor Resistor	97/01	All		4864957
		02/06	All	LHD	5139719AA
		02/06	All	RHD	4864957
	Blower Motor Resistor Kit	97/06	All	Includes Wiring Repair Kit	4864957K
8	Blower Motor Resistor Repair Kit	97/01	All	LHD or RHD	5019941AA
		02/06	All	RHD	5019941AA
9	Heater Core	97/01	All	LHD; Aluminum	4874045
		02/06	All	LHD; Aluminum w/ Plastic Tanks	5073180AA
10	HVAC Control Unit	99/01	All	w/ Air Conditioning	55037473AB
		02/04	All	RHD; w/ Air Conditioning	55037473AB
11	Ambient Temperature Sensor	03/06	All		5149265AB

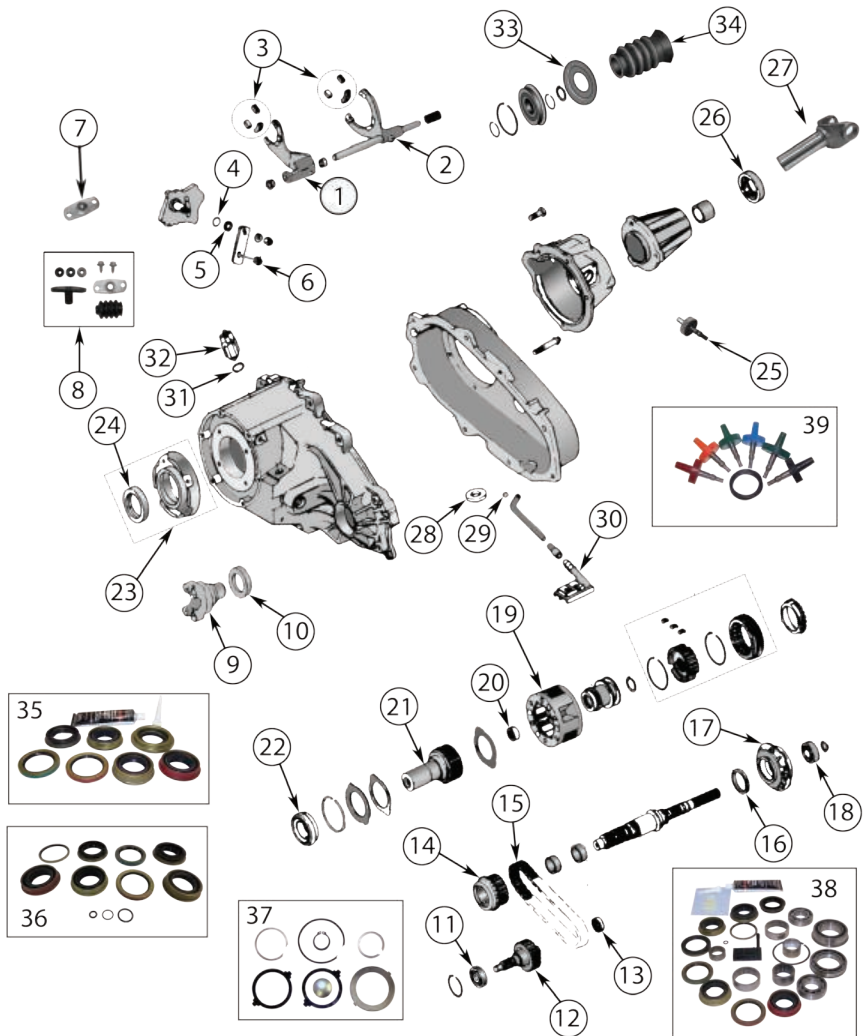


Item #	Description	Years	Location	Comments	Replaces Part #
1	Key Blank	97/99	All	w/o Transponder	4746316
		00/06	All	w/o Transponder	5018700AA
		98/06	All	w/ Transponder	5010366AA
2	Lock Cylinder	97/06	Center Console	Uncoded; Does Not Include Tumblers	4746305
		97/01	Doors & Tailgate	w/ Full Steel Doors; Uncoded	4778123
		02/06	Doors & Tailgate	w/ Full Steel Doors; Uncoded	4864651
3	Lock Cylinder Retainer	97/01	Doors		2583377
4	Lock Cylinder Lever	97/06	Doors	w/ Full Steel Doors; Left or Right	55076307
5	Lock Cylinder Cap	97/02		Black	5257148
6	Ignition Cylinder Kit	97/06		Coded w/ 2 Non-Transponder Keys	5003843AAK
7	Ignition Cylinder Repair Kit	97/06		Uncoded; Includes Tumblers	5003843AB
8	Ignition Switch	97/00			4565326
		01/06			4793576AB
9	Ignition Switch Actuator	97/06			AP1000

WIPER



Item #	Description	Years	Position	Comments	Replaces Part #
1	Wiper Blade	97/06	Front L or R	13"	55154762AD
		97/02	Rear	18"	83505422
2	Wiper Arm	97/06	Front L or R	LHD	55155658
		97/02	Rear		55155660
3	Windshield Washer Pump	97/06	Front or Rear		4778347
4	Windshield Washer Nozzle	01/06	Front L or R	After 12/3/2001	55156728AB
	Windshield Washer Nozzle Set	01/06	Front L & R	After 12/3/2001	55156728K
5	Wiper Switch	97/00		w/ Variable Intermittent Wipers	4793313
6	Wiper Linkage Kit	98/06	Front	Includes Arms and Grommets	55156374LK



Item #	Description	Year	Comment	Replaces Part #
1	Fork, Range Shift	97/06		4638913
2	Fork, Mode Shift	97/00		4741237
3	Pad Kit, Shift Fork	97/06	Includes Pads for Both Forks	15866
4	O-Ring, Shift Lever	97/06		4167963
5	Retaining Ring, Shift Lever	97/06		4167964
6	Bushing, Shift Lever	97/06		53004810
7	Bearing, Shift	97/01		52078134
8	Bearing Kit, Shift Linkage	97/02	Includes Bearings, Bushings, Seals & Hardware	5014148AA
9	Yoke, Front Output Shaft	97/06	26 Splines, No Slinger	4798120

NP231 Transfer Case

Item #	Description	Year	Comment	Replaces Part #
10	Seal, Front Output	97/06		4798112
11	Bearing, Front Output Shaft	97/06	Front	JA001007
12	Shaft, Front Output	97/06		4338934
13	Bearing, Front Output Shaft	97/06	Rear	4269189
14	Drive Sprocket	97/06		4796908
15	Chain, Transfer Case	97/06		4338935
16	Seal, Oil Pump Housing	97/06		J8130982
17	Housing, Oil Pump	97/06		4338936
18	Bearing, Rear Output Shaft	97/06		JA001007
19	Gear, Planetary	97/06		4796903
20	Bearing, Input Pilot	97/06		83503507
21	Input Gear	97/02	2.5L Engine w/ Manual Transmission	4796956
		97/02	4.0L Engine	4796965
		97/02	2.5L Engine w/ Automatic Transmission	4796965
22	Bearing, Input Shaft	97/06		4746155
23	Retainer, Bearing	97/06		4338973
24	Seal, Input	97/02		4167929
		03/06		5019020AA
25	Gear, Speedometer Drive	97/06	32 Tooth, Black	52067632
		97/06	34 Tooth, Green	52067634
		97/06	35 Tooth, Orange	52067635
		97/06	36 Tooth, Red	52067636
		97/06	38 Tooth, Blue	52067638
		97/06	39 Tooth, Green	52067639
26	Seal, Rear Output	97/06		4798117
27	Slip Yoke, Rear Output	97/06		4882714
28	Magnet	97/06		3681601
29	O-Ring, Oil Pickup Tube	97/06		4338942
30	Filter, Transfer Case Oil	97/06		4338943
31	Seal, Transfer Case Switch	97/06		4338956
32	Switch, Transfer Case	97/06	Electrical	J8134473
33	Slinger	97/06		5016615AA
34	Slip Yoke Boot	97 /06	Rear Drive Shaft	4798123
35	Seal & Gasket Kit	97/02	Incl. Input & Output Seals, Pump Housing Seal & RTV	231GS
36	Seal Kit	97/02	Includes Input, Output Seals & O-Rings	231SK
37	Small Parts Kit	97/06		NP231SP
38	Overhaul Kit	97/06	Includes Bearings, Seals, Filter & Fork Inserts	231MASKIT
39	Speedometer Gear Set	97/06	Includes 1 Each of #37 (6 Gears & O-Rings)	52067632K



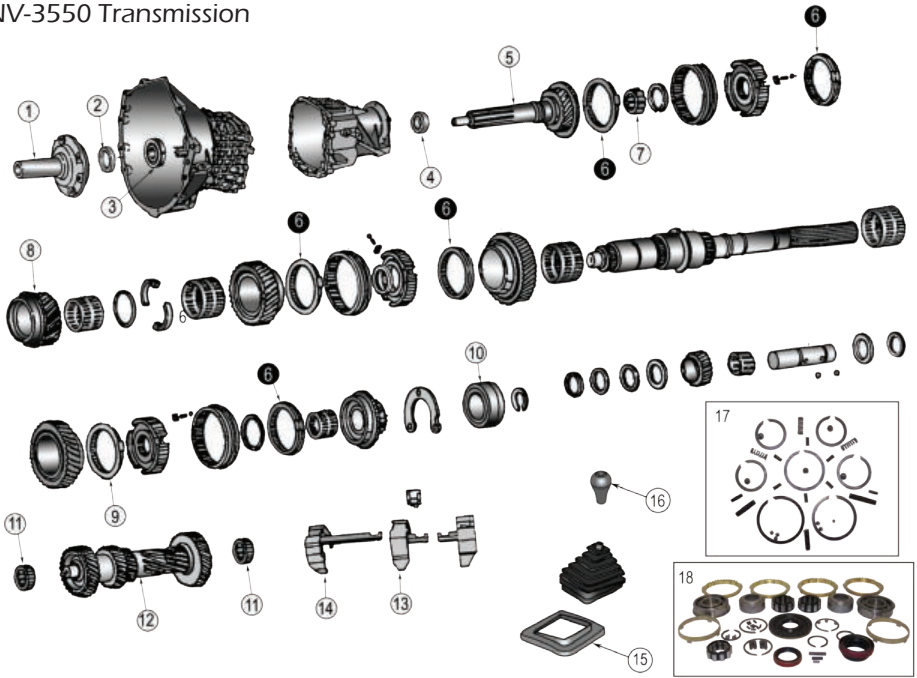
Item #	Description	Years	Engine	Comments	Replaces Part #
1	PCV Valve	03/06	2.4L	w/ Thread-In PCV Valve	4777240AD
2	PCV Valve Elbow	97/02	2.5L	Rear	53030497
		97/06	4.0L	Front	53030497
		97/04	4.0L	Rear	53030495
3	PCV Valve Grommet	05/06	4.0L	Rear	53013743AB
		97/04	2.5L, 4.0L	.94" ID	2946079
4	Crankcase Vent Tube	05/06	4.0L	Valve Cover to Intake Manifold	53013797AB
		05/06	4.0L	Valve Cover to Air Box	53030615AC
5	Leak Detection Pump	03/04	2.4L, 4.0L		4891414AD

WHEEL



Item #	Description	Years	Position	Comments	Replaces Part #
1	Lug Nut	97/06	F or R	1/2"-20 Threads; Stainless Capped	J4006956
		97/06	F or R	1/2"-20 Threads; Stainless Open-Ended	J0635516
		97/06	F or R	1/2"-20 Threads; Black Capped	J4006956BLK
2	Lug Nut Kit	97/06	F & R	1/2"-20 Threads; Black-Capped; 20-Piece Kit	4006956BLKK
3	Wheel Stud	97/99	Front	w/ 2-Piece Composite Rotor; 1/2"-20 Threads	53007463
		00/06	Front	w/ 1-Piece Cast Rotor; 1/2"-20 Threads	6036482AA
		97/02	Rear	1/2"-20 Threads	83503053
		03/06	Rear	1/2"-20 Threads	53007463
4	Valve Stem	97/06	F or R		2073355

NV-3550 Transmission



Item #	Description	Years	Comments	Replaces Part #
1	Retainer, Front Bearing	00/04		5013306AA
2	Seal, Input Shaft	00/04		4741296
3	Bearing, Input Shaft	00/04		4874174AB
4	Seal, Output Shaft	00/04	4WD	4741118
5	Shaft, Input	02/04	10 Splines; 26 Teeth	5019723AA
6	Synchronizer Blocking Ring	00/04	For Gears 3-5	4741277
7	Needle Bearing, Input Shaft	00/04		4741878
8	Gear, 3rd	02/04	30 Teeth	4883718AB
9	Blocking Ring, Rev Gear Synchronizer	00/04	4WD	4741285
10	Bearing, Output Shaft	00/04		4741866AB
11	Bearing, Cluster Gear	00/01 02/04	Front or Rear Front or Rear	5012971AA 5066646AA
12	Cluster Gear	03/04	34-28-22-14-37 Teeth	5066650AA
13	Fork, 1st & 2nd Gear Shift	02/04		4886077AB
14	Fork, 5th & Reverse Shift	00/02		4773563AB
15	Bezel, Gearshift Lever Boot	97/04		53000056AB
16	Shift Knob	97/06	Insert Not Included	52104174
17	Small Parts Master Kit	02/04		SP350050
18	Master Overhaul Kit	02/04		NV3550MASKIT



WWW.CROWNAUTOMOTIVE.NET

