

# WIT BRANCH LOCATIONS

To Reach any of our locations toll free, please call

# 800-940-0197

## ALABAMA

**Birmingham**  
3825 4th Terrace N.  
Birmingham, AL 35222  
Phone: (205) 592-2309  
Fax: (205) 592-2171

**Muscle Shoals (Distribution)**  
2809 Avalon Ave  
Muscle Shoals, AL 35661  
Phone: (256) 383-9181  
Fax: (256) 383-9143

## ARIZONA

**Tucson**  
341 West Ojo Way  
Tucson, AZ 85713  
Phone: (520) 867-8637

## ARKANSAS

**Texarkana**  
3028 East 19th St.  
Texarkana, AR 71854  
Phone: (903) 224-7209

## COLORADO

**Denver**  
1221 East 56th Avenue  
Denver, CO 80216  
Phone: (303) 477-2838  
Fax: (303) 477-3480

## FLORIDA

**Ft. Lauderdale**  
450 W. McNab Road Suite 2  
Ft. Lauderdale, FL 33309  
Phone: (954) 941-0671  
Fax: (954) 941-0674

**Miami**  
841 West 17th Street  
Hialeah, FL 33010  
Phone: (305) 863-3341

**Orlando**  
4110 Mercy Industrial Ct.  
Orlando, FL 32808  
Phone: (407) 522-4417  
Fax: (407) 930-5390

**Tampa**  
4771 Distribution Dr.  
Tampa, FL 33605  
Phone: (813) 247-9202  
Fax: (813) 247-9205

## GEORGIA

**Atlanta**  
1700B McCoba Drive  
Smyrna, GA 30080  
Phone: (770) 433-8317  
Fax: (770) 433-8931

## ILLINOIS

**Chicago**  
5369 Walnut Ave.  
Downer's Grove, IL 60515  
Phone: (630) 963-1739  
Fax: (630) 963-4841

## INDIANA

**Evansville**  
509 N. 9th Street  
Evansville, IN 47711  
Phone: (800) 423-4199  
Fax: (812) 426-7382

**Indianapolis**  
1508 S. Keystone Ave. Suite A  
Indianapolis, IN 46203  
Phone: (317) 471-8790  
Fax: (317) 426-2683

## KENTUCKY

**Shepherdsville (Distribution)**  
300 Hwy 44 East  
Shepherdsville, KY 40165  
Phone: (502) 955-6035  
Fax: (502) 955-6077

## LOUISIANA

**New Orleans**  
2631 Delaware Avenue  
Kenner, LA 70062  
Phone: (504) 464-0676

## MARYLAND

**Baltimore / Washington DC**  
6700-B Distribution Drive  
Beltsville, MD 20705  
Phone: (301) 937-3912  
Fax: (301) 595-7146

## MICHIGAN

**Grand Rapids**  
3765 Broadmoon Ave S.E.  
Suite H & I  
Grand Rapids, MI 49512  
Phone: (616) 957-3694  
Fax: (616) 957-3928

## MINNESOTA

**Minneapolis**  
3765 Dunlap Street N.  
Arden Hills, MN 55112  
Phone: (651) 484-5080  
Fax: (651) 484-5099

## MISSISSIPPI

**Jackson**  
618 S. Gallatin St.  
Jackson, MS 39204  
Phone: (601) 355-0650  
Fax: (601) 352-5510

## MISSOURI

**St. Louis**  
1525 Fairview Ave.  
St. Louis, MO 63132  
Phone: (314) 733-0003  
Fax: (314) 733-0006

## NORTH CAROLINA

**Charlotte**  
1238 Amble Drive  
Charlotte, NC 28206  
Phone: (704) 716-7272  
Fax: (704) 716-7265

**Raleigh**  
6316 J. Richard Dr. Suite B  
Raleigh, NC 27617  
Phone: (919) 786-2357  
Fax: (919) 786-2538

## OHIO

**Cincinnati**  
9814 Princeton-Glendale  
Cincinnati, OH 45246  
Phone: (513) 942-1300  
Fax: (513) 942-1334

**Cleveland**  
8515 Freeway Drive Unit A  
Macedonia, OH 44056  
Phone: (330) 908-1862  
Fax: (330) 908-1868

**Dayton**  
1000 Webster St.  
Dayton, OH 45404  
Phone: (937) 262-7452  
Fax: (937) 262-7476

## OKLAHOMA

**Tulsa**  
10877 E. 11th Street  
Tulsa, OK 74128  
Phone: (918) 437-6444  
Fax: (918) 437-6446

## PENNSYLVANIA

**Scranton**  
220 Clark Road  
Duryea, PA 18642  
Phone: (570) 655-4200  
Fax: (570) 655-0900

## RHODE ISLAND

**Warren**  
489 Metacom Rear  
Warren, RI 02885  
Phone: (401) 310-6387

## TENNESSEE

**Knoxville**  
501 Ambrose Street  
Knoxville, TN 37921  
Phone: (865) 687-4990  
Fax: (865) 687-3745

## **Nashville**

1212 Gallatin Pike  
Madison, TN 37115  
Phone: (615) 870-0903  
Fax: (615) 870-0942

## TEXAS

**Austin**  
9503 Brown Lane Building 4  
Suite 102  
Austin, TX 78754  
Phone: (512) 428-6672  
Fax: (512) 428-6548

**Dallas**  
9210 King Arthur Drive  
Dallas, TX 75247  
Phone: (214) 631-1950  
Fax: (214) 631-1951

**Ft. Worth**  
6504 Midway Road  
Suite 130  
Haltom City, TX 76117  
Phone: (817) 222-9122  
Fax: (817) 222-9709

**Houston**  
3739 Yale Street  
Houston, TX 77018  
Phone: (832) 804-9369  
Fax: (832) 831-9688

**San Antonio**  
3007 East Commerce Street  
San Antonio, TX 78220  
Phone: (210) 384-9778  
Fax: (210) 384-9104

## UTAH

**Salt Lake City**  
788 West 1355 South  
Salt Lake City, UT 84104  
Phone: (801) 906-0696

## VIRGINIA

**Richmond**  
5383 Glen Alden Drive  
Richmond, VA 23231  
Phone: (804) 226-7815  
Fax: (804) 226-7816

## INTERNATIONAL

**Samiul Haque**  
Phone: (502) 955-6035 Ext: 1494  
Cell Phone: (502) 489-0141  
Email: shaque@wittrans.com

---

# How To Use This Catalog

## Table Of Contents:

Each transmission picture in this catalog is listed in the table of contents. First by the manufacturer, then by the transmission with the page number, description of the transmission and series number.

## Pictures:

Most of our transmission pictures are two page layouts with arrows going back and forth, up and down and across pages. The arrows tell you in what direction and in what order the parts line up in as they come out of the transmission.

Each picture has the transmission type and part number series listed at the top of the page. The series number begins with an M followed by a 3 digit number. This number is the series number for that transmission. (Example: T5 (World Class) has a **M552** series number.) Each part has a three digit number with a line from the number to the part. This number is the part number for that part. (Example: T5 (World Class) case has a number of **760** for the case.) So, for the T5 (World Class) transmission case, the base part number is **M552760**.

## Disclaimer

All information in this catalog has been checked for accuracy. However, no liability can be assumed for any incomplete or incorrect data.

## Copyright

No part of this publication may be reproduced, stored in a retrieval system, transmitted in any form, by any means; electronic, mechanical, photocopying, recording or otherwise, without prior written permission of Whatever It Takes Transmission Parts, Inc.

# Standard Transmissions

## Chevrolet / GM

Transmission	Page#	Description	Series#
G56.....	36.....	RWD 6 Speed 1999-00.....	M522000
M20/M21/M22.....	10.....	RWD 4 Speed 1963-74.....	M500000
MR8 (Isuzu MGS-5G).....	58.....	FWD 5 Speed 1988-99.....	M613000
NV1500.....	20.....	RWD 5 Speed 1996-Up.....	M516000
NV3500 (Getrag 290)(1 Rail Type).....	22.....	RWD 5 Speed 1988-Up.....	M518000
NV3500 (Getrag 290)(3 Rail Type).....	24.....	RWD 5 Speed 1988-Up.....	M518000
NV4500.....	26.....	RWD 5 Speed 1990-Up.....	M520000
S6-650 (ZF).....	50.....	RWD 6 Speed 2001-Up.....	M586000
T5 (World Class).....	12.....	RWD 5 Speed 1985-Up.....	M552000
T56.....	16.....	RWD 6 Speed 1993-Up.....	M559000

## Chrysler / Dodge / AMC / Eagle

Transmission	Page#	Description	Series#
AX5.....	8.....	RWD 5 Speed 1984-99.....	M524000
D50 (FM132).....	44.....	RWD 5 Speed 1980-Up.....	M529000
F5M22.....	52.....	FWD 5 Speed 1990-Up.....	M650000
G360.....	32.....	RWD 5 Speed 1988-93.....	M515000
G56.....	36.....	RWD 6 Speed 2002-Up.....	M522000
NP535 (A535).....	30.....	RWD 5 Speed 1987-Up.....	M509000
NV1500.....	20.....	RWD 5 Speed 1999-Up.....	M516000
NV3500 (Getrag 290)(1 Rail Type).....	22.....	RWD 5 Speed 1990-Up.....	M518000
NV4500.....	26.....	RWD 5 Speed 1990-Up.....	M520000
NV5600.....	28.....	RWD 6 Speed 1998-Up.....	M521000
T56.....	16.....	RWD 5 Speed 1992-Up.....	M559000

## Ford

Transmission	Page#	Description	Series#
DPS6.....	34.....	FWD 6 Speed 2013-Up.....	M906000
FM132 / FM142 / FM146.....	44.....	RWD 5 Speed 1985-Up.....	M529000
M5R1.....	40.....	RWD 5 Speed 1988-Up.....	M570000
M5R2.....	42.....	RWD 5 Speed 1999-Up.....	M571000

# TABLE OF CONTENTS

## Ford (Continued)

Transmission	Page#	Description	Series#
S5-42 (ZF) .....	46.....	RWD 5 Speed 1987-Up .....	M581000
S5-47 (ZF) .....	48.....	RWD 5 Speed 1996-Up .....	M582000
S6-650 (ZF) .....	50.....	RWD 6 Speed 1998-Up .....	M586000
T3650 (Tremec).....	18.....	RWD 5 Speed 2001-Up .....	M569000
T5 (World Class).....	12.....	RWD 5 Speed 1985-Up .....	M552000
T45 .....	14.....	RWD 5 Speed 1996-Up .....	M558000
T56 .....	16.....	RWD 6 Speed 1995-Up .....	M559000

## Honda

Transmission	Page#	Description	Series#
S20 / S40 / SG8.....	62.....	FWD 5 Speed 1992-00.....	M794000

## Isuzu

Transmission	Page#	Description	Series#
NV1500.....	20.....	RWD 5 Speed 1999-00 .....	M516000
NV3500 (Getrag 290)(1 Rail Type).....	22.....	RWD 5 Speed 1998-00 .....	M518000
T5 (World Class).....	12.....	RWD 5 Speed 1989-00 .....	M552000

## Jeep

Transmission	Page#	Description	Series#
AX5.....	8.....	RWD 5 Speed 1985-01 .....	M524000
G56.....	36.....	RWD 6 Speed 2005-Up.....	M522000
NSG370.....	38.....	RWD 6 Speed 2005-Up.....	M535000
NV1500.....	20.....	RWD 5 Speed 2003-04 .....	M516000
T5 (World Class).....	12.....	RWD 5 Speed 1983-87 .....	M552000

## Mazda

Transmission	Page#	Description	Series#
M5R1 .....	40.....	RWD 5 Speed 1991-04 .....	M570000



# TABLE OF CONTENTS

## Mitsubishi

Transmission	Page#	Description	Series#
F5M22 .....	52 .....	FWD 5 Speed 1990-94.....	M650000
KM132 (FM132).....	44 .....	RWD 5 Speed 1990-96 .....	M529000

## Nissan

Transmission	Page#	Description	Series#
FS5R30A.....	56.....	RWD 5 Speed 1986-Up.....	M596000
FS5W71.....	54.....	RWD 5 Speed 1973-Up.....	M537000
RS5F50 .....	60.....	FWD 5 Speed 1984-Up.....	M593000

## Advertisements

Transmission	Page#
Advanced Print Solutions .....	65
At Your Service Delivery .....	Inside Back Cover
Fast Coolers .....	68
Roadmaster Powertrain.....	Inside Front Cover
Zumbrota Drivetrain.....	64

# TABLE OF CONTENTS

## Transfer Cases

### Borg Warner

Model	Page#	Description	Series#
Transfer Case ID Tags.....	69.....	Transfer Case ID Visual Aide.....	
BW1356.....	70.....	Part-Time 1986-Up.....	M355000
BW1370.....	71.....	Part-Time 1986-Up.....	M359000
BW4405.....	72.....	W/Torque On Demand 1995-Up.....	M368000
BW4406 (Electric Shift).....	73.....	W/Torque On Demand 1996-Up.....	M369000
BW4406 (Manual Shift).....	74.....	W/Out Torque On Demand 1996-Up.....	M370000
BW4410.....	75.....	AWD (Full Time) 2002-Up.....	M372000
BW4411.....	76.....	Torque On Demand 2002-05.....	M373000
BW4416.....	77.....	Torque On Demand 2003-07.....	M374000
BW4417.....	78.....	Part-Time 2007-Up.....	M225000
BW4419.....	79.....	Part-Time 2009-Up.....	M227000
BW4444.....	80.....	Part-Time 2010-Up.....	M230000
BW4446 / BW4447.....	81.....	Part-Time.....	M232000
BW4481.....	82.....	Full-Time (Single Speed) 2003-Up.....	M378000
BW4482.....	83.....	Full-Time 2003-Up.....	M379000
BW4493.....	84.....	Full Time 2006-Up.....	M256000

### New Process

Model	Page#	Description	Series#
NP136.....	85.....	Active On Demand 1998-Up.....	M305000
NP144.....	86.....	Part-Time 2003-Up.....	M310000
NP149 / NV149.....	87.....	AWD Full Time 2001-06.....	M315000
NP208 (Synchro Style).....	88.....	(Synchro Style)(Chevy/Dodge).....	M304000
NP208 (Non Synchro Style).....	89.....	(Non Synchro)(Ford/Dodge/Jeep).....	M304000
NP226.....	90.....	Active On Demand 2002-Up.....	M306000
NP231.....	91.....	Part Time 1986-Up.....	M308000
NP233.....	91.....	Part Time 1990-Up.....	M308000
NP236.....	92.....	Active On Demand 1998-Up.....	M309000
NP241.....	93.....	Part Time 1988-Up.....	M310000
NP241D.....	94.....	Part Time 1999-Up.....	M310000
NP241DHD.....	95.....	Part Time 1997-02.....	M310000
NP243.....	96.....	Part Time 1995-Up.....	M311000
NP245J.....	97.....	Part Time 2005-Up.....	M314000
NP246.....	98.....	Active On Demand 1999-Up.....	M312000
NP247.....	99.....	Progressive On Demand 1999-Up.....	M313000
NP261.....	100.....	Part Time 1999-Up.....	M319000

# TABLE OF CONTENTS

NP263.....	100.....	Part Time 2001-Up .....	M319000
NP271.....	101.....	Part Time 1998-Up .....	M320000
NP273.....	101.....	Part Time 1999-Up .....	M320000

## Magna Powertrain

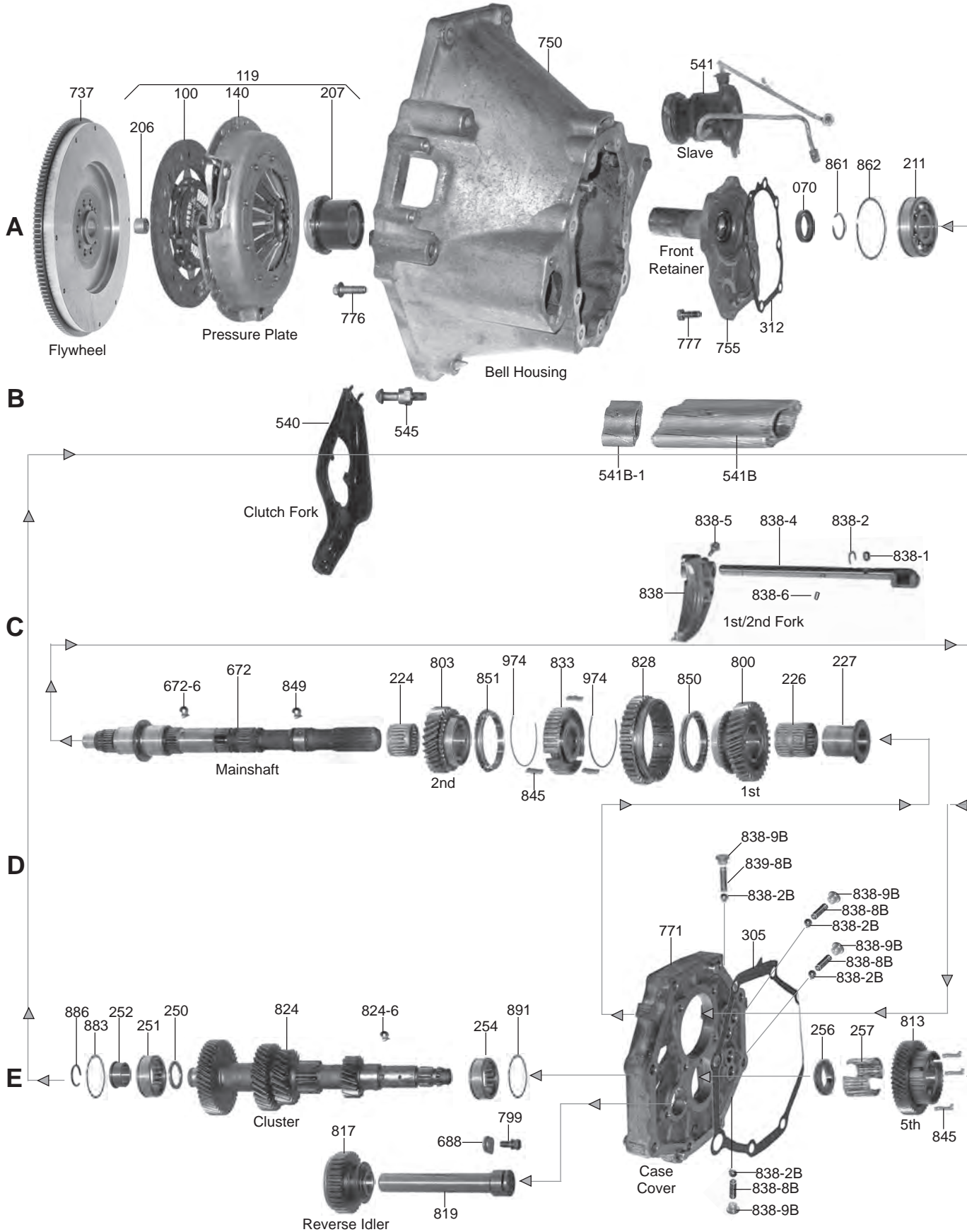
Model	Page#	Description	Series#
MP1225 .....	102.....	Part Time 2007-Up .....	M211000
MP3010 .....	103.....	Part-Time 2009-Up .....	M217000
MP3023 .....	104.....	Auto Active 2007-Up.....	M219000

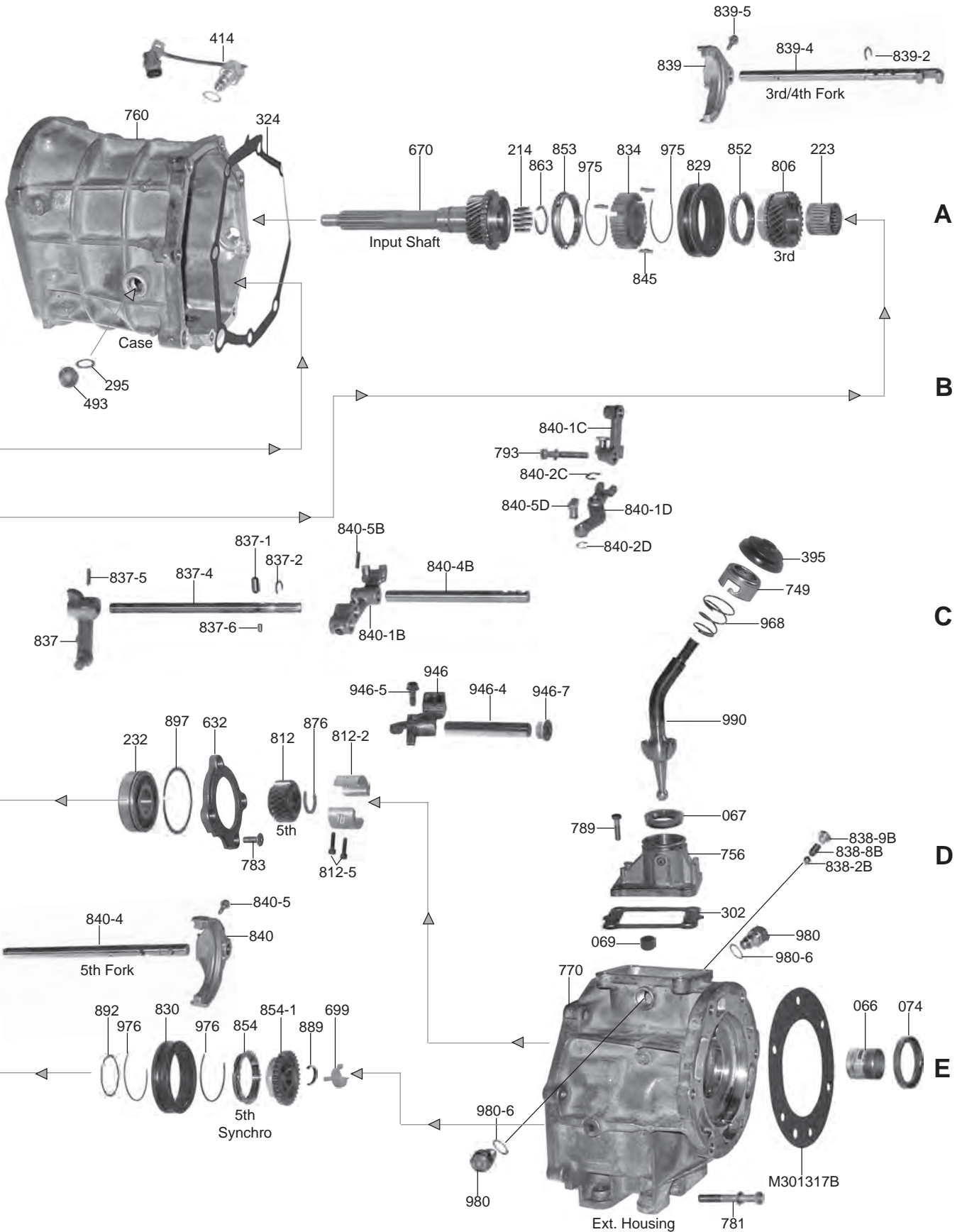
## Toyota

Model	Page#	Description	Series#
R150F (Automatic Transfer Case).....	105.....	RWD 1985-Up .....	197000

## Miscellaneous Items

Description	Page #
Adapt-A-Case .....	113
Adapter Gaskets.....	66-67
Assembly Lubricants .....	109
Cleaners .....	111
Electrical.....	109
Gloves .....	111
Light Bulbs.....	111
Lubegard Products .....	106
Mounts.....	112
Other Products .....	112
Paint & Markers.....	109
Shift Motors .....	110
Silicone & Gasket Maker .....	108
Smart Blend (Life Automotive) Products.....	107
Sonnax Products .....	118
Sonnax Slip Yokes.....	114-117
Speed-O Gears .....	110
Teckpak-Fitzall Products.....	119-121
Thread Locker & Repair .....	108
Transfer Case ID Tags.....	69
Transmission Fluids.....	107

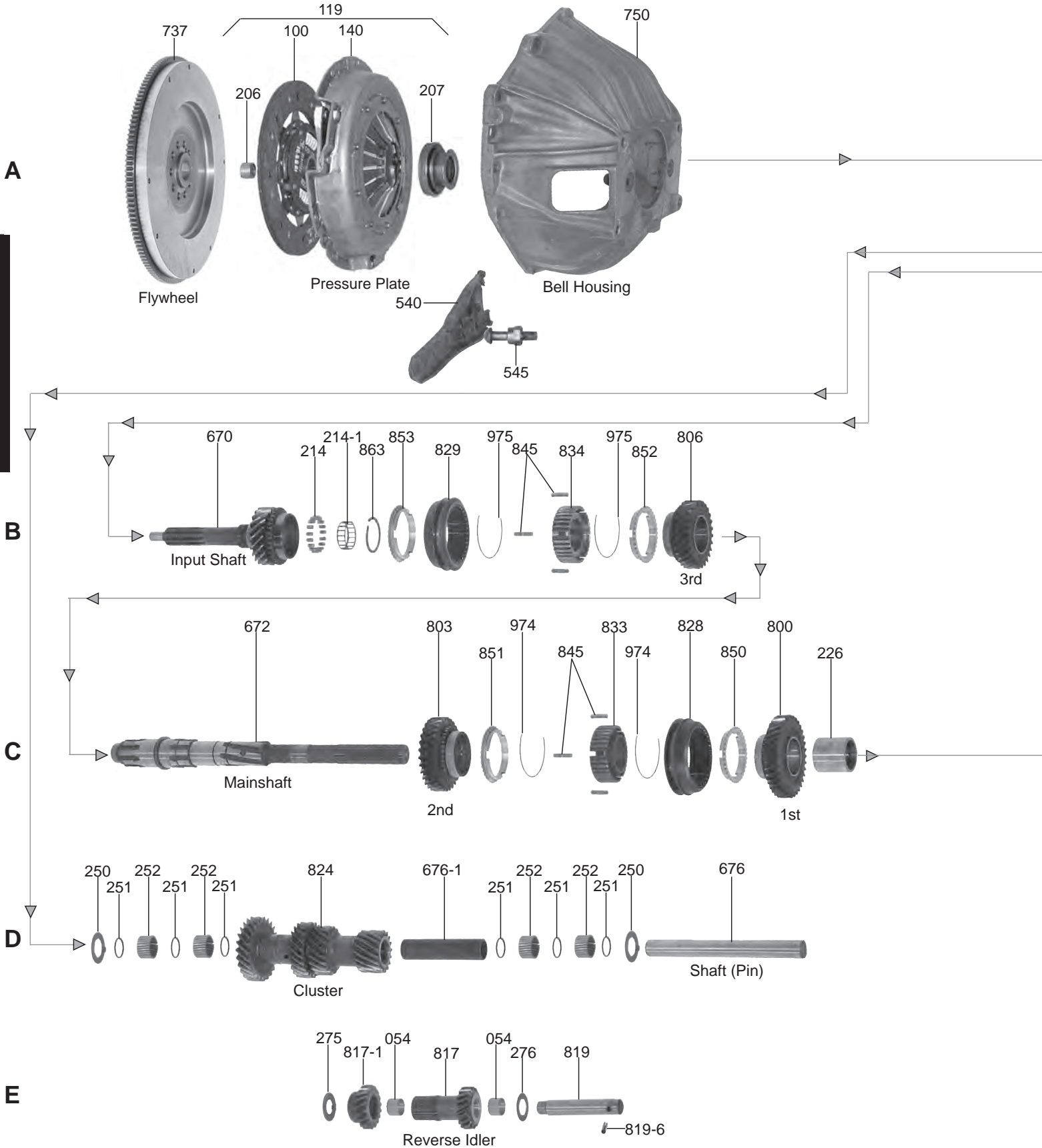




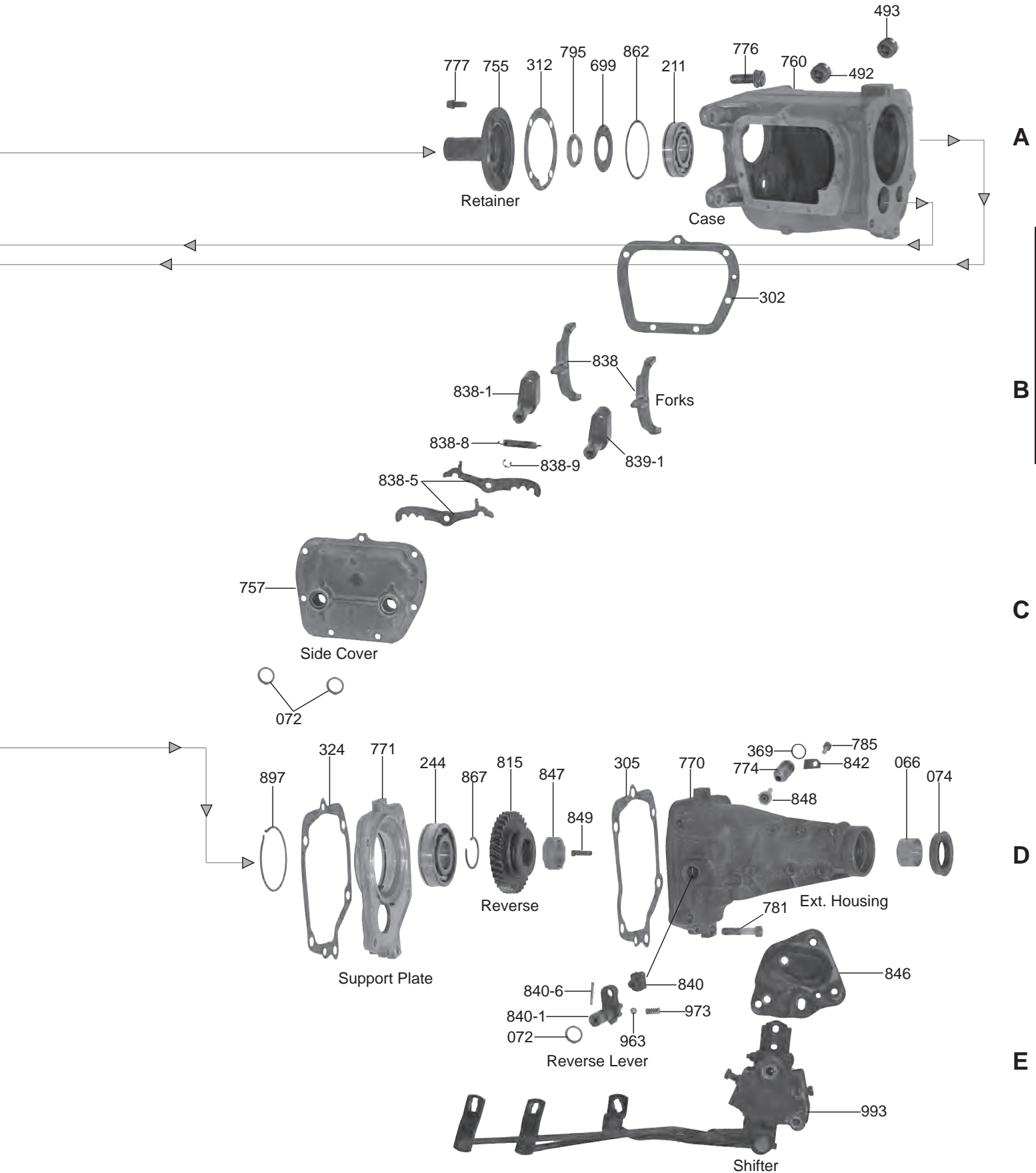
# Muncie M20/M21/M22

RWD 4 Speed  
M500 Series

Muncie







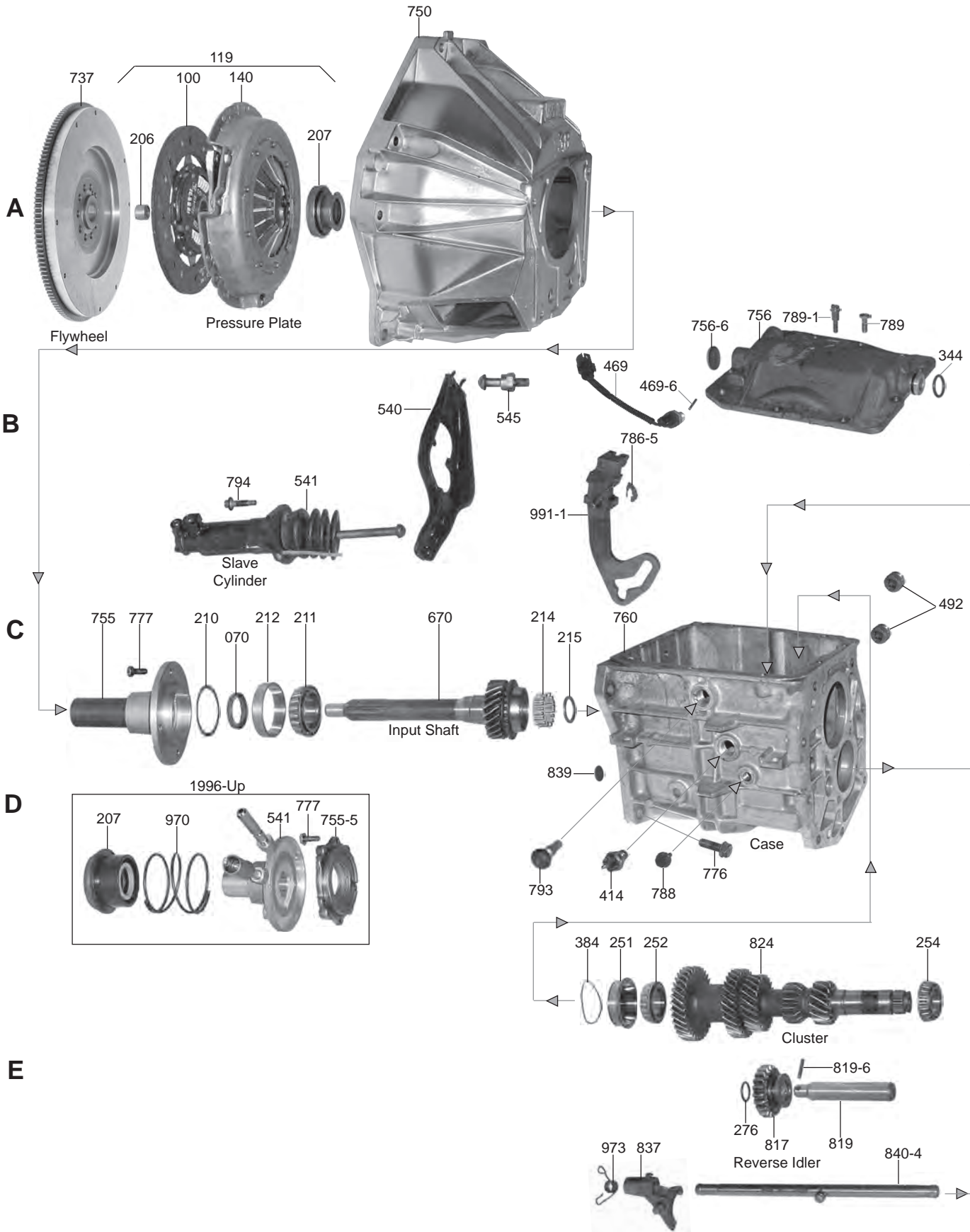
**Muncie**

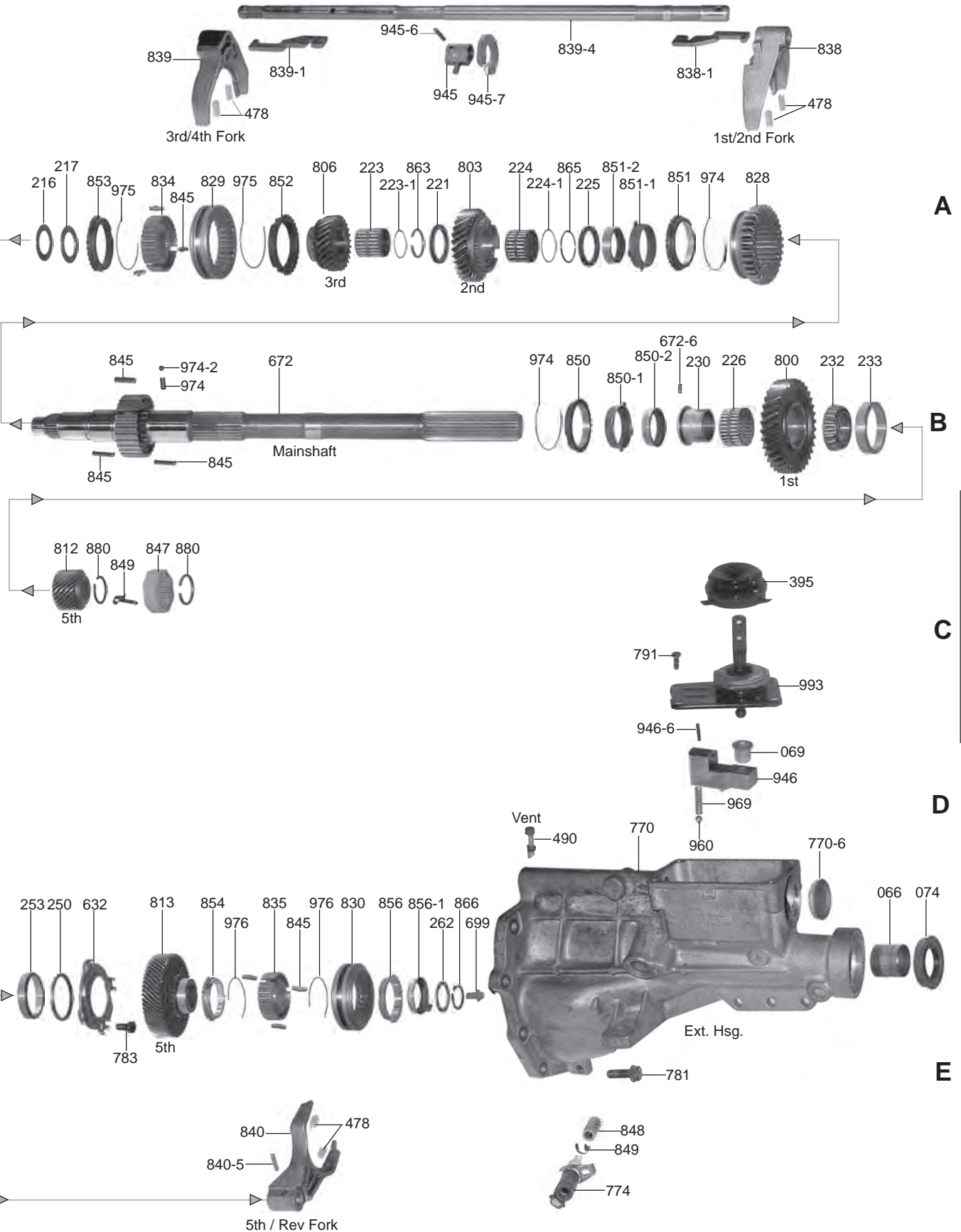


# T5 (World Class)

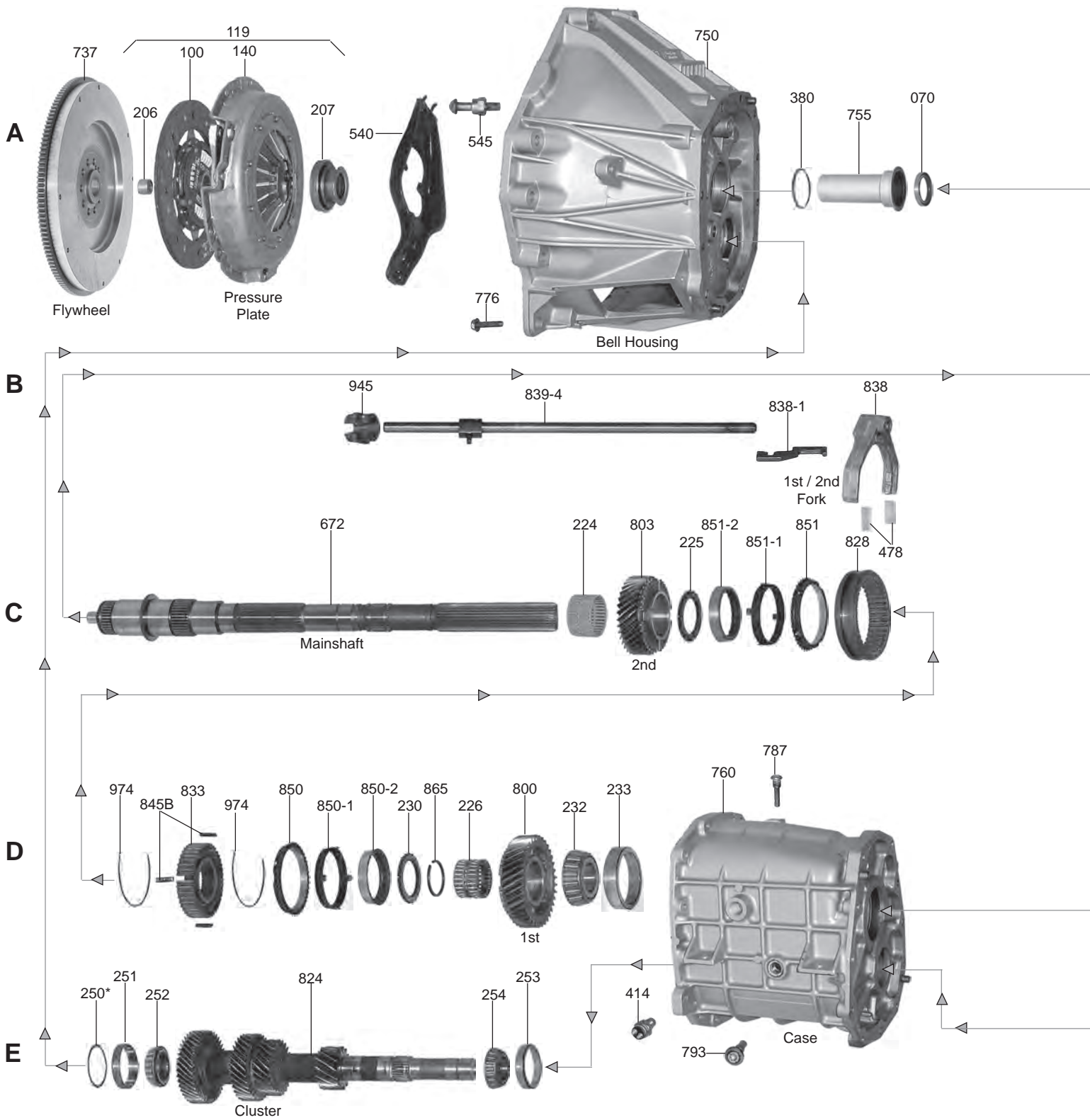
RWD 5 Speed  
M552 Series

Tremec

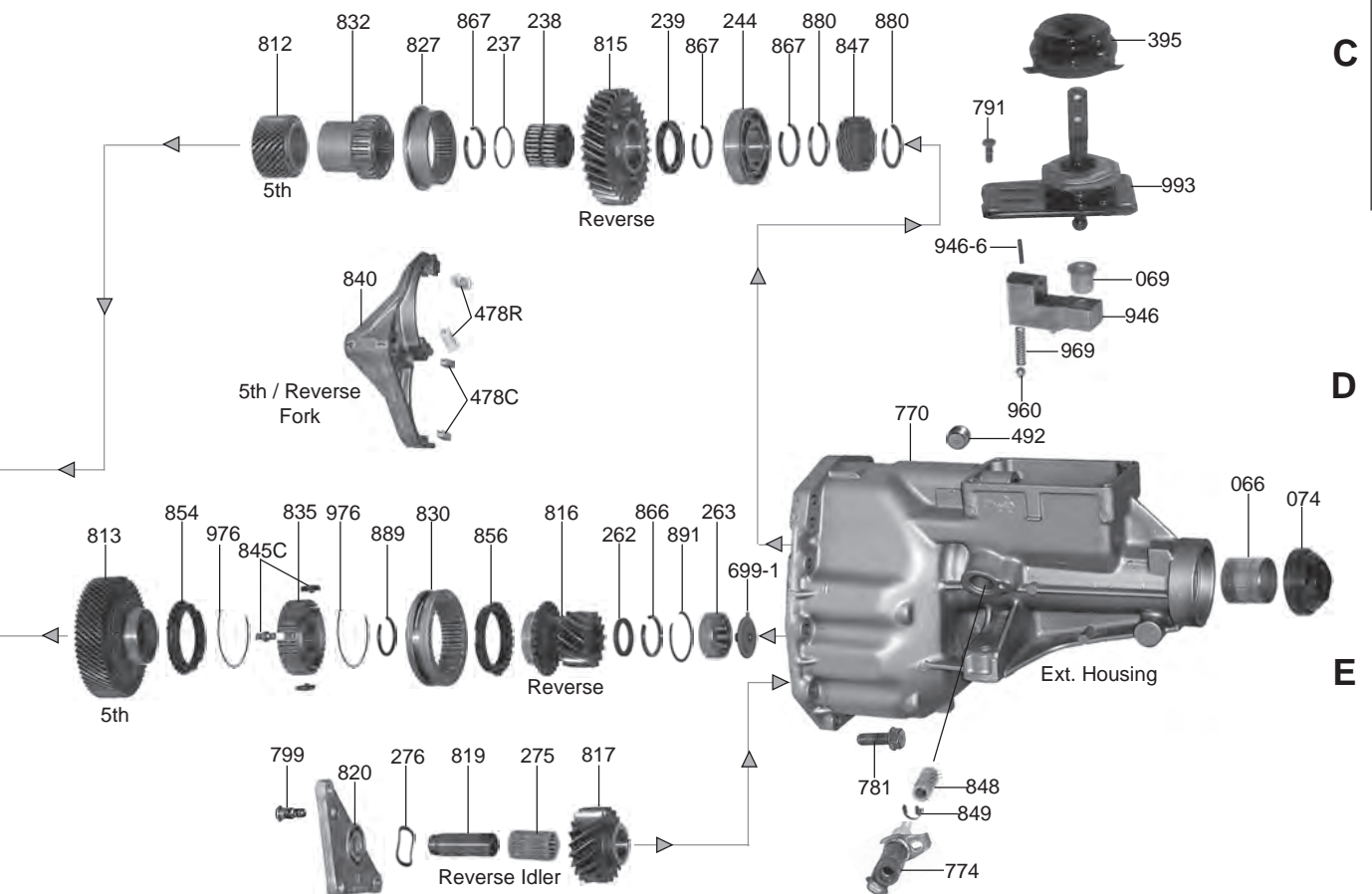
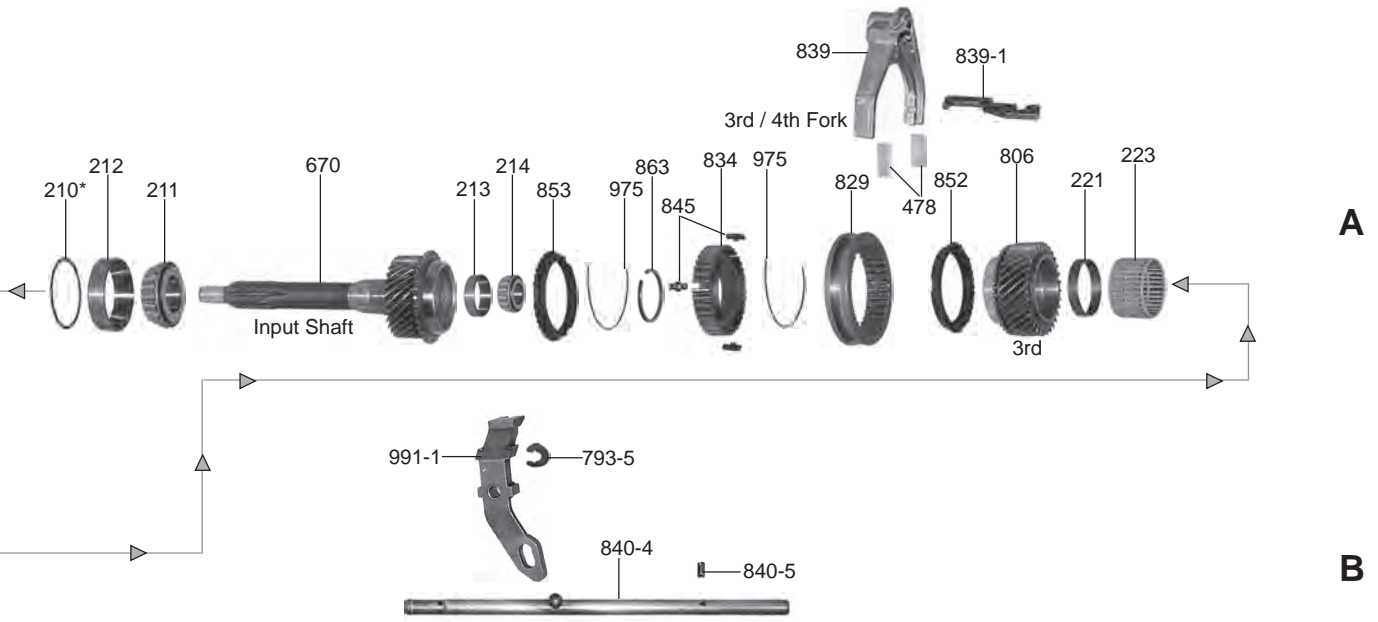




**Tremec**

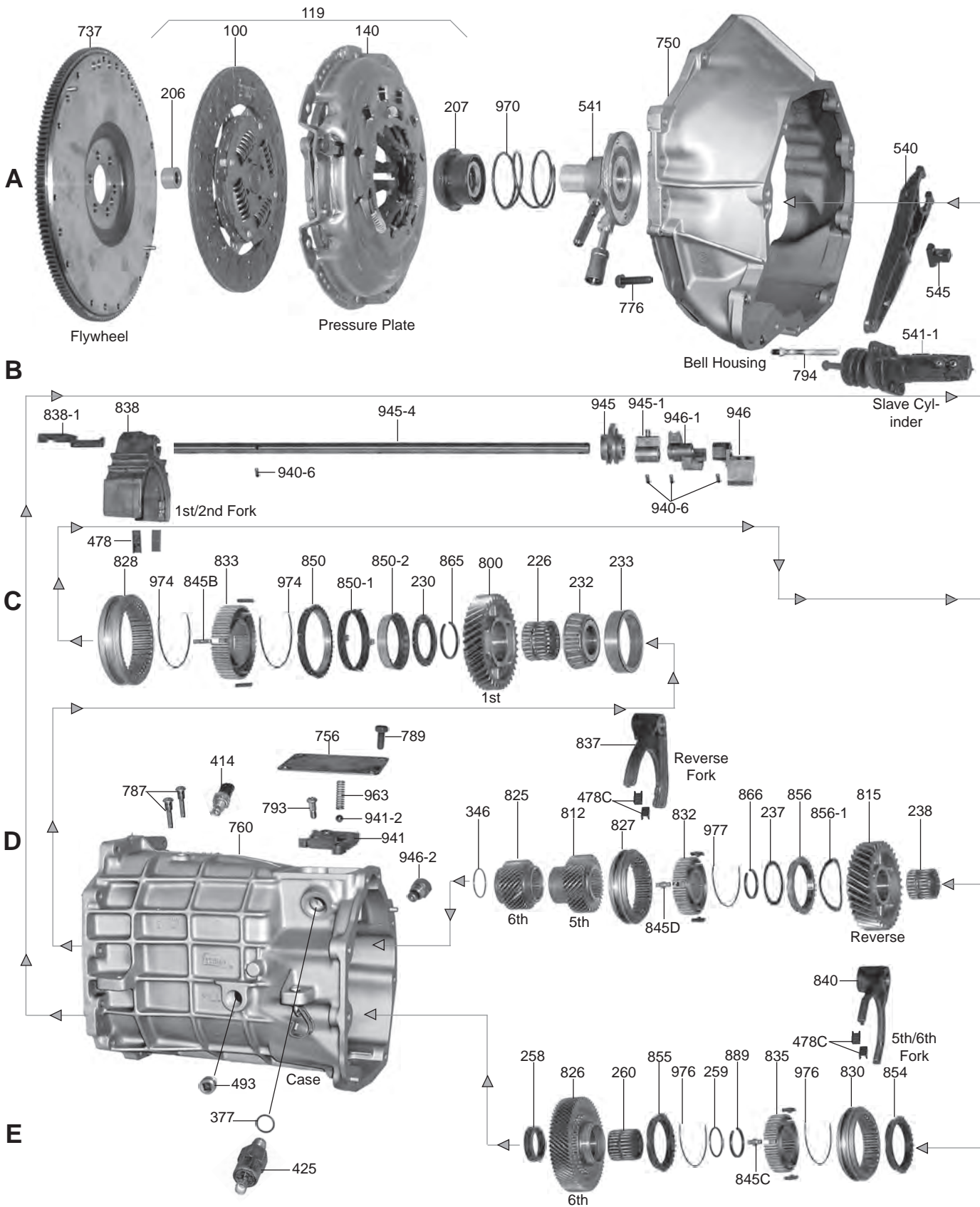


**Tremec**

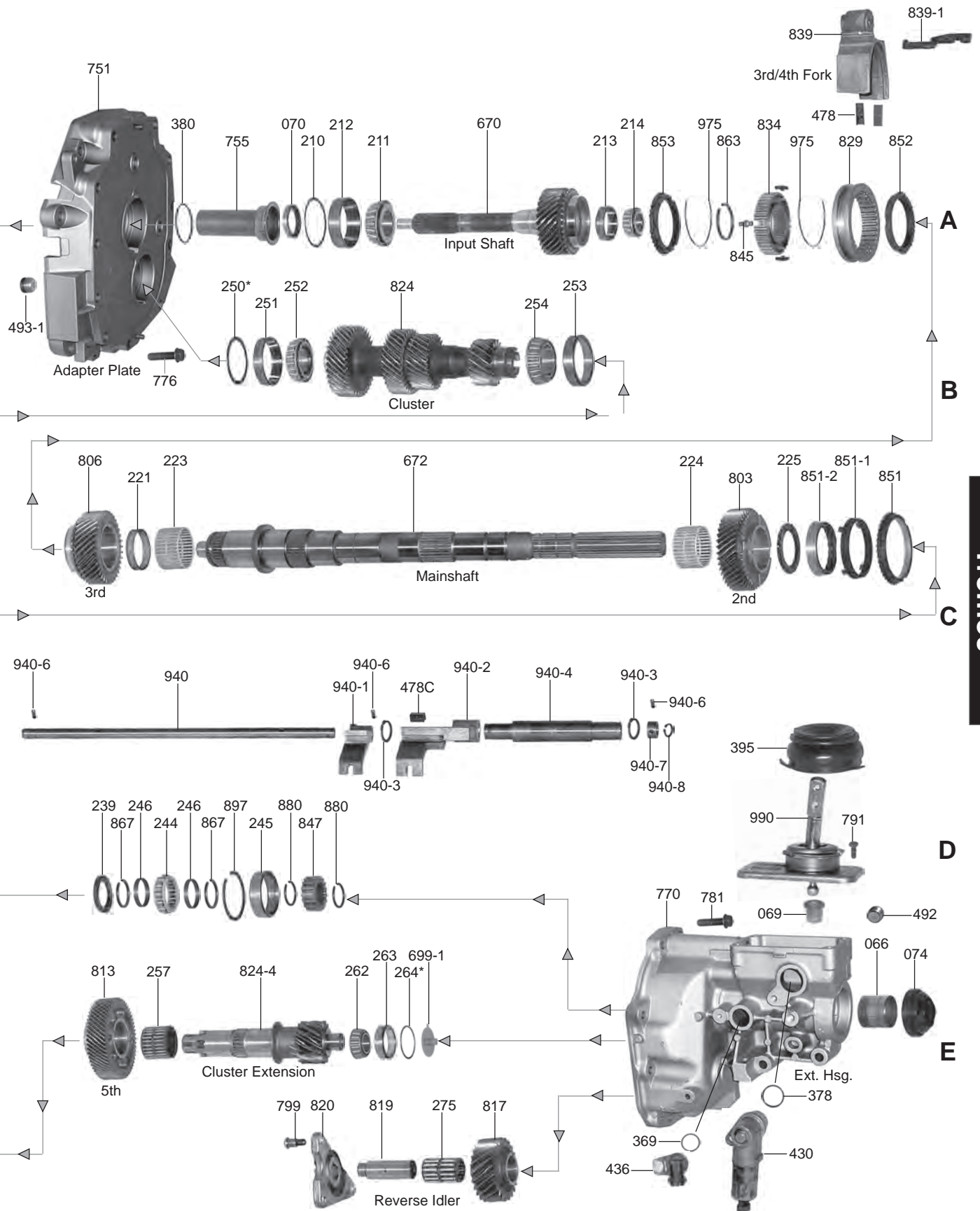


Tremec





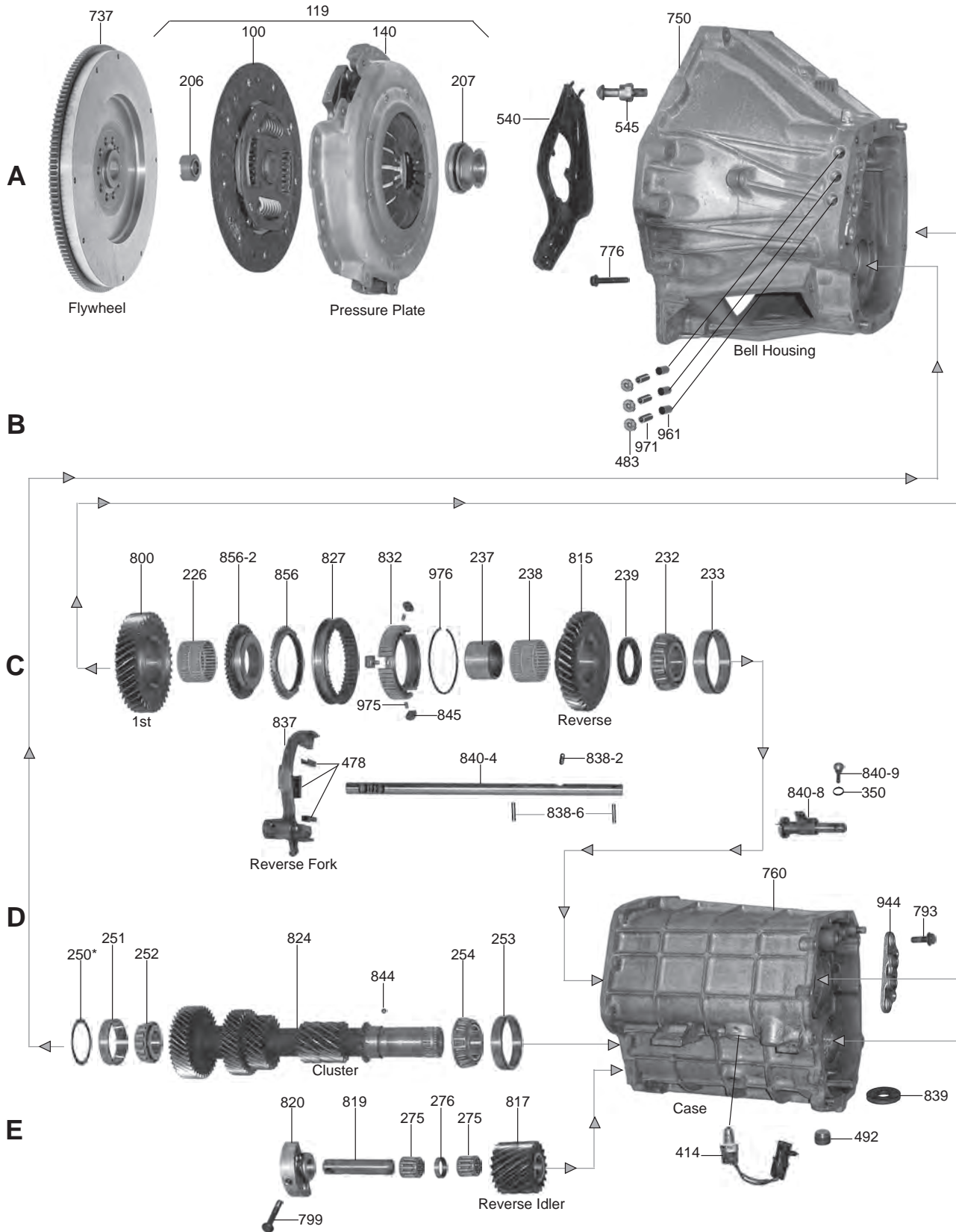
Tremec



Tremec

# T3650 (Tremec)

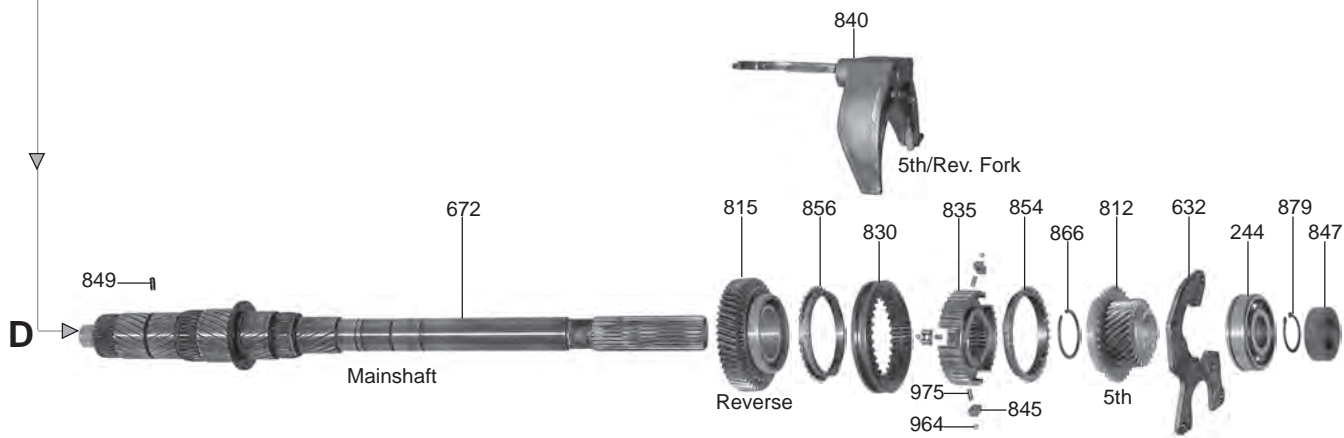
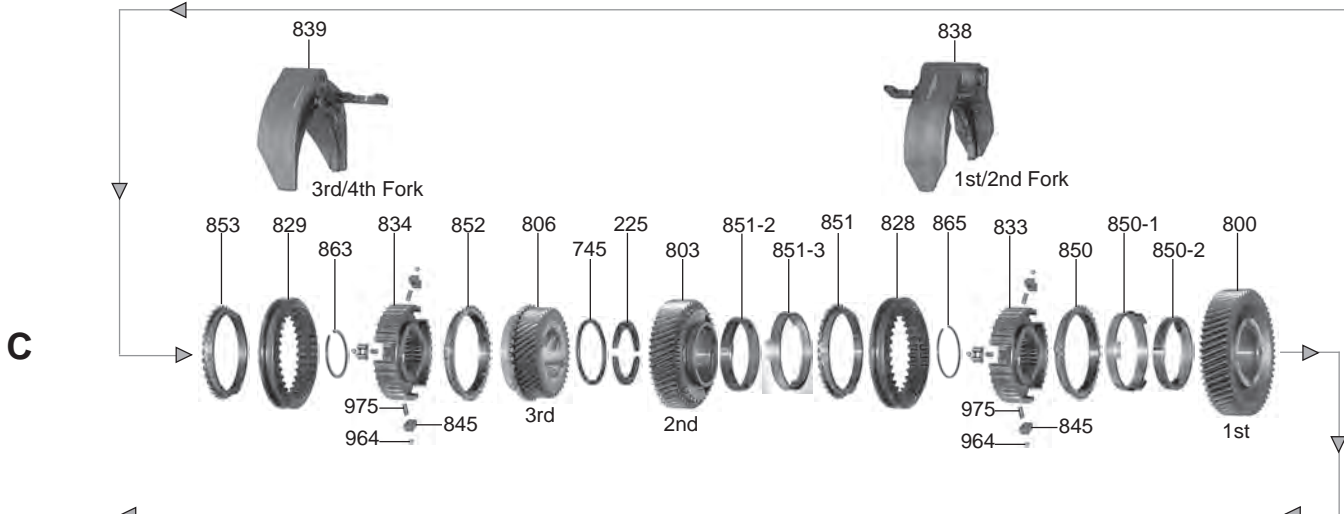
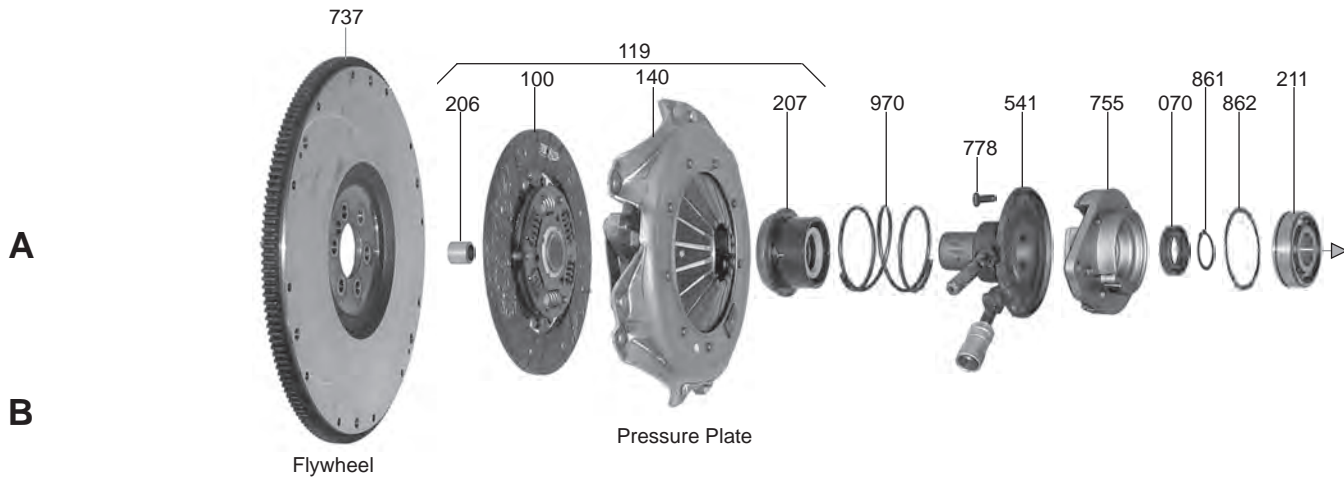
RWD 5 Speed  
M569 Series



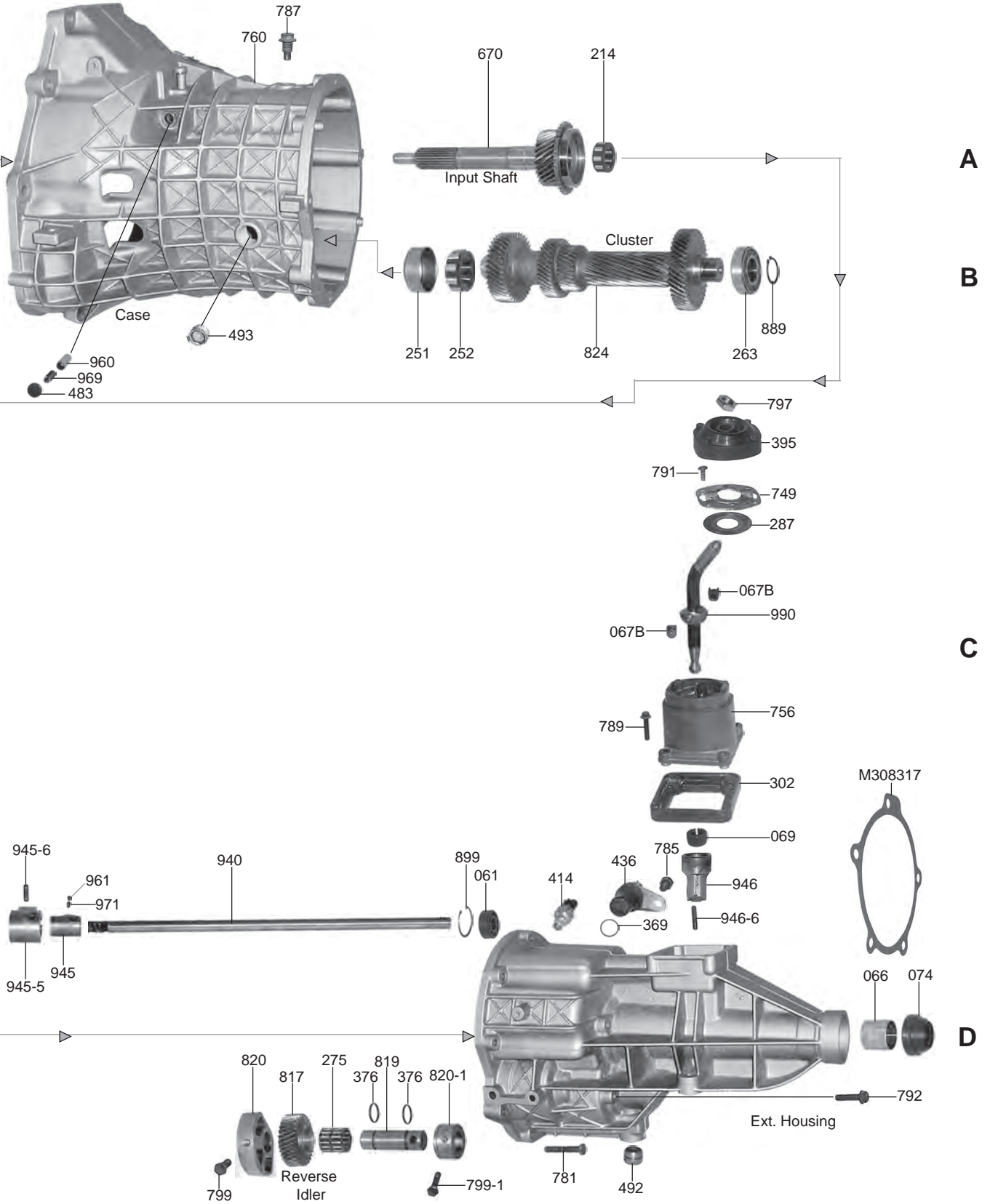
Tremec







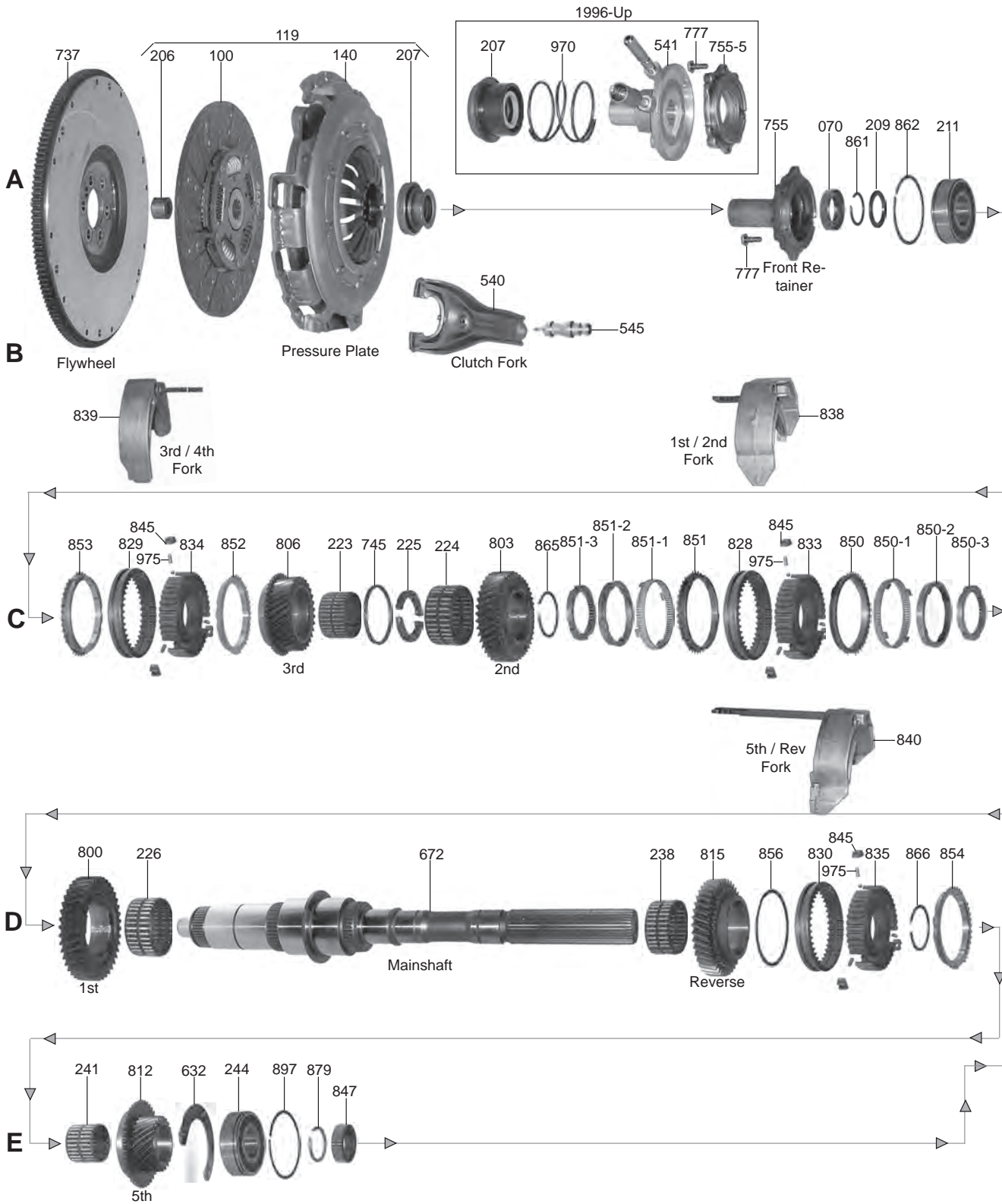
New Venture



New Venture

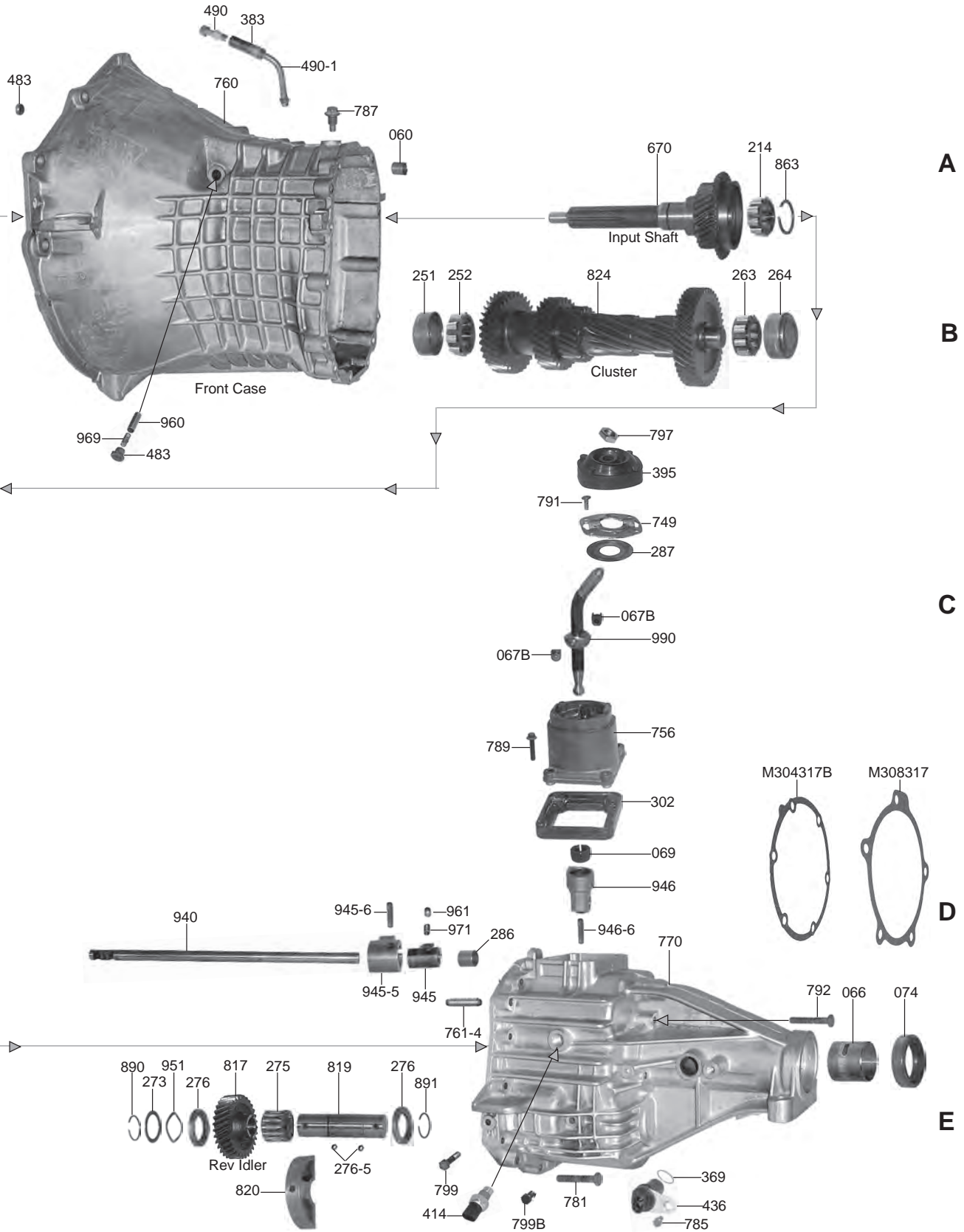
# NV3500 (Getrag 290)(1 Rail Type)

RWD 5 Speed  
M518 Series



New Venture

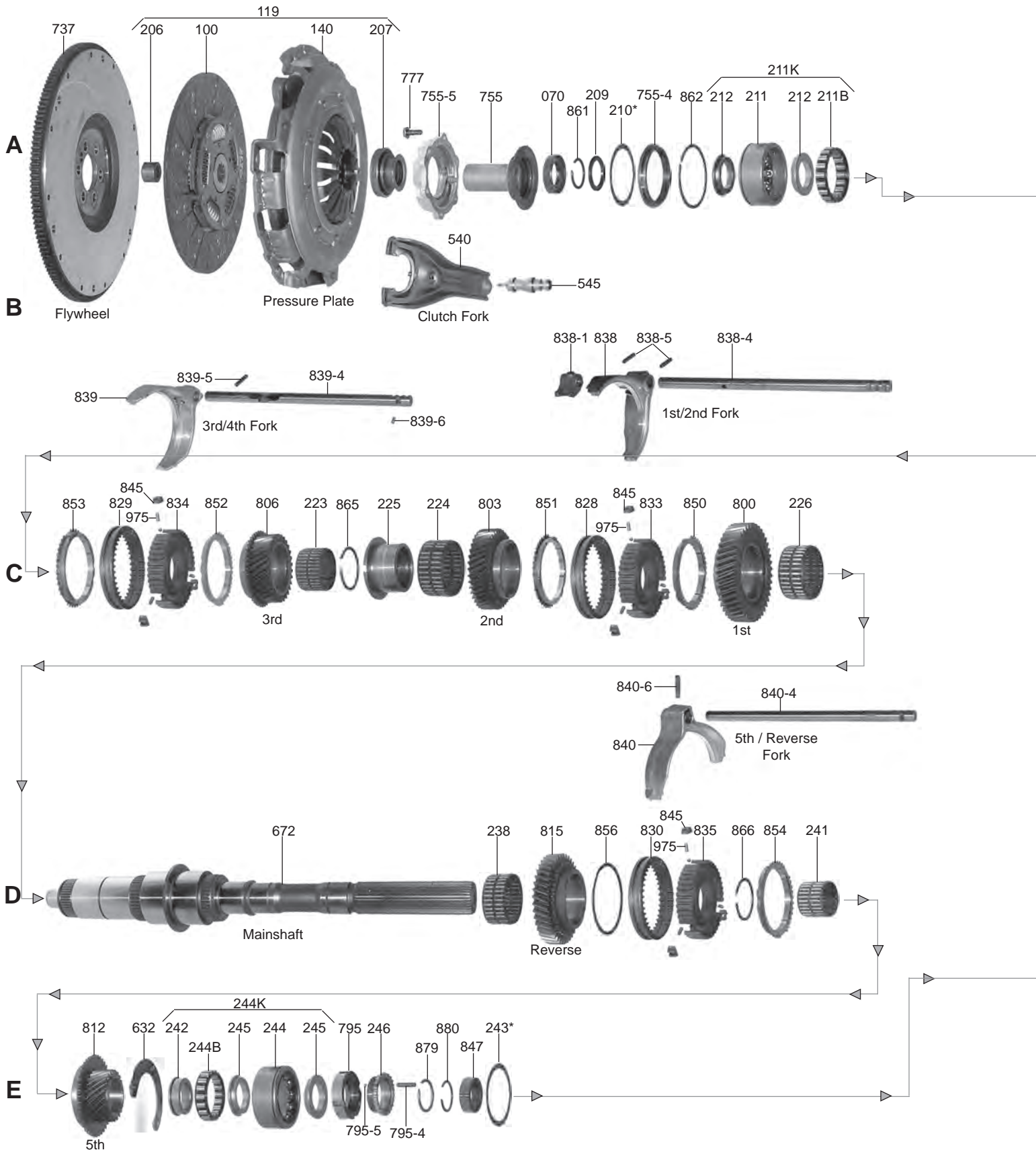




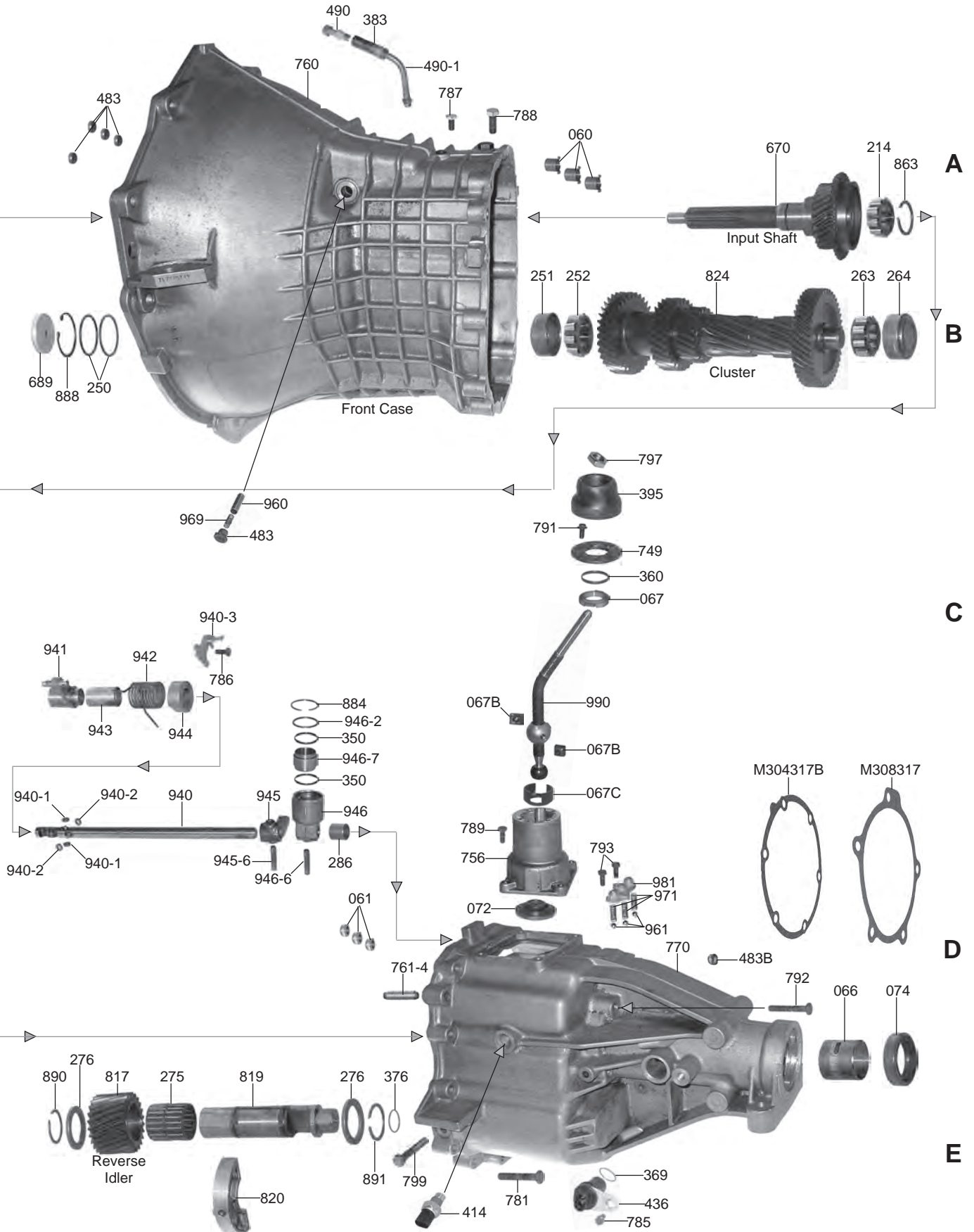
**New Venture**

# NV3500 (Getrag 290)(3 Rail Type)

RWD 5 Speed  
M518 Series

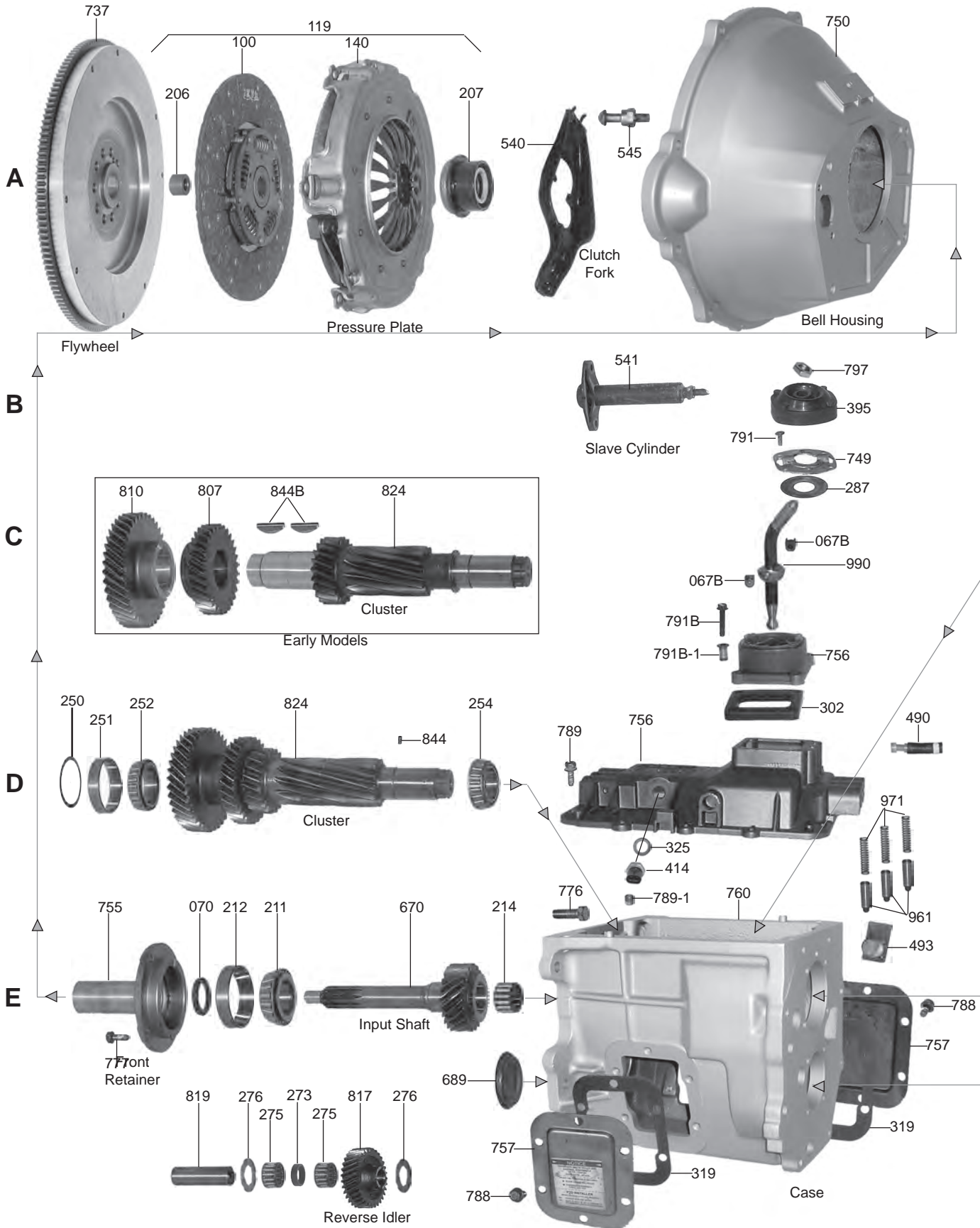


New Venture

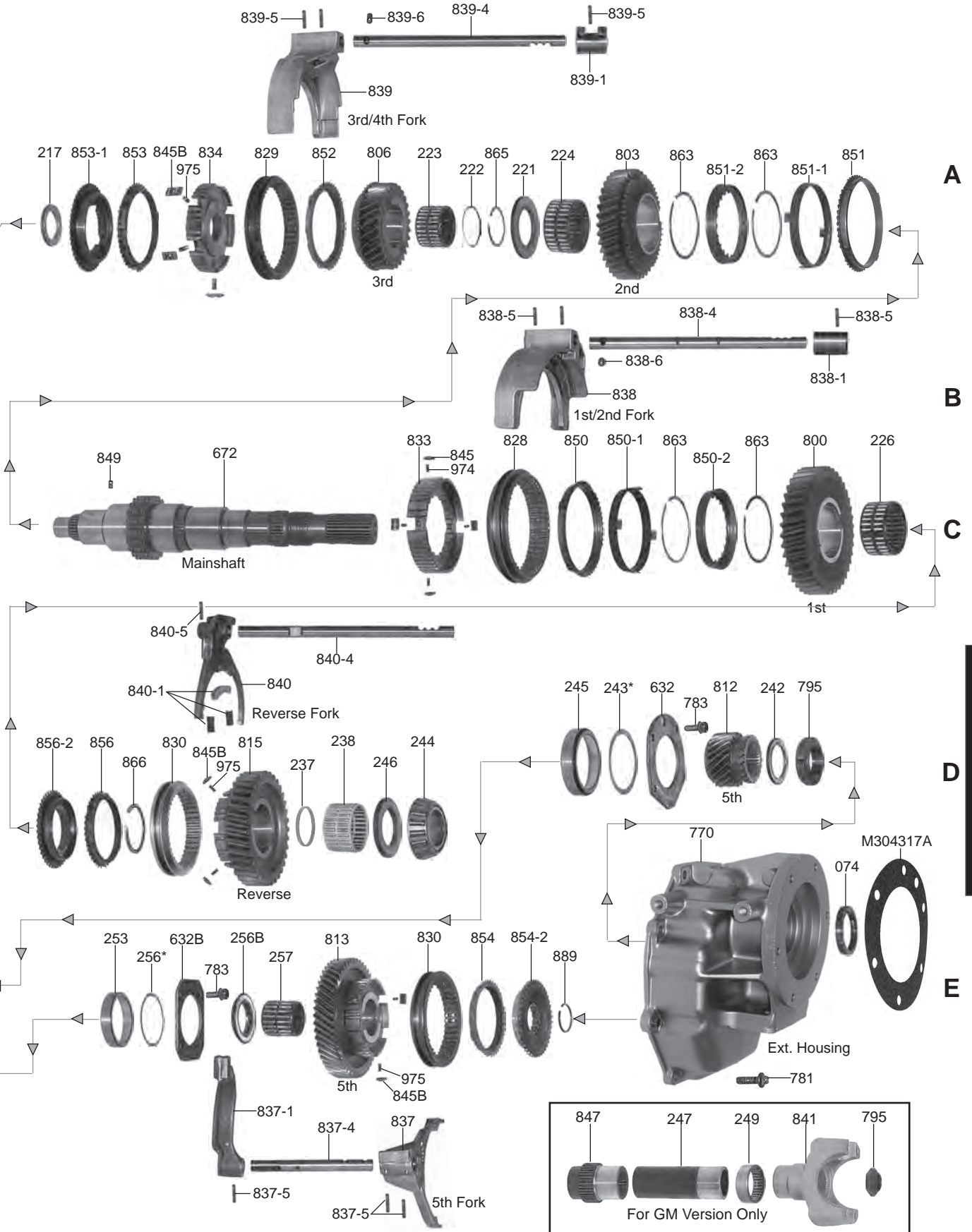


New Venture

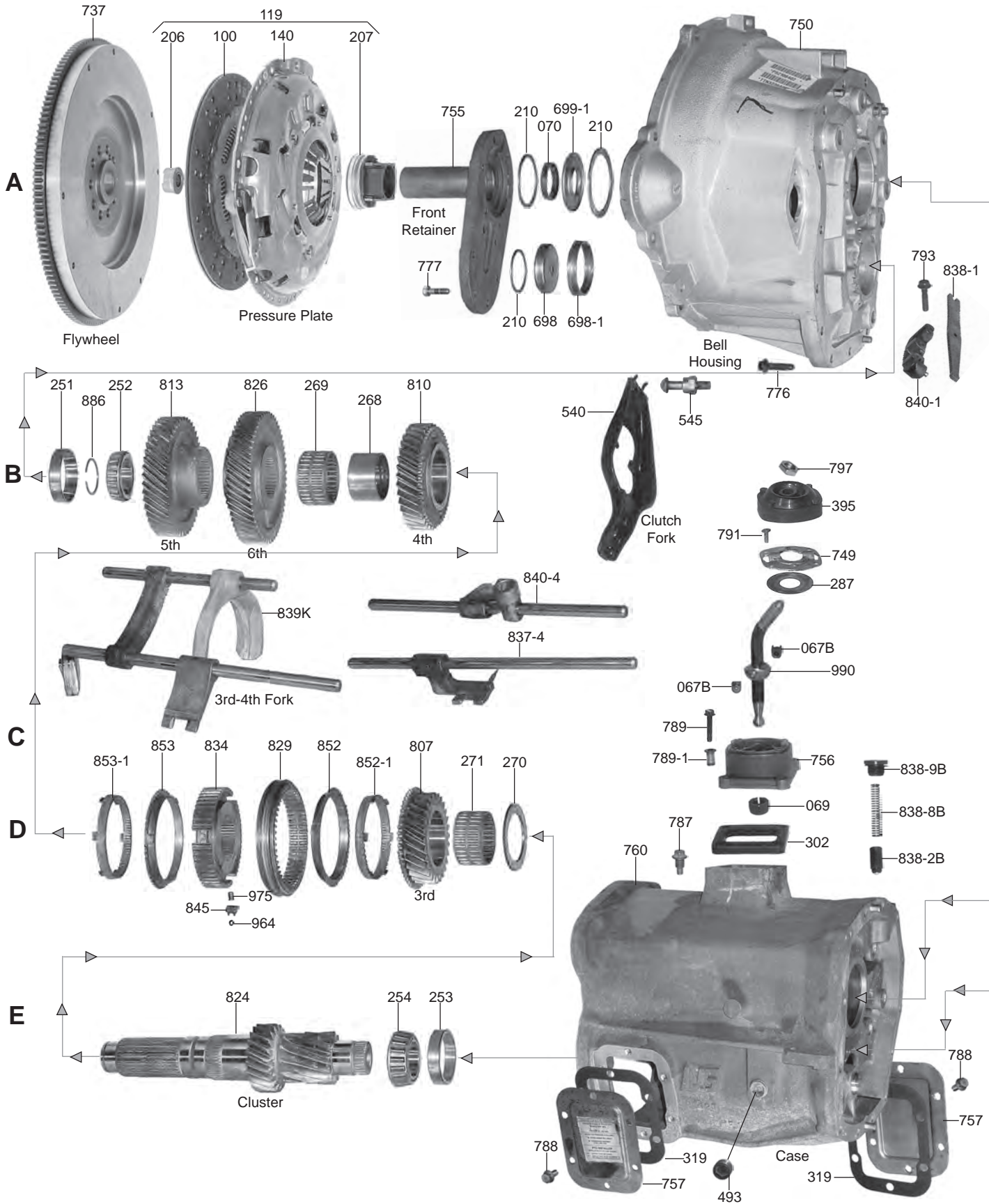




New Venture

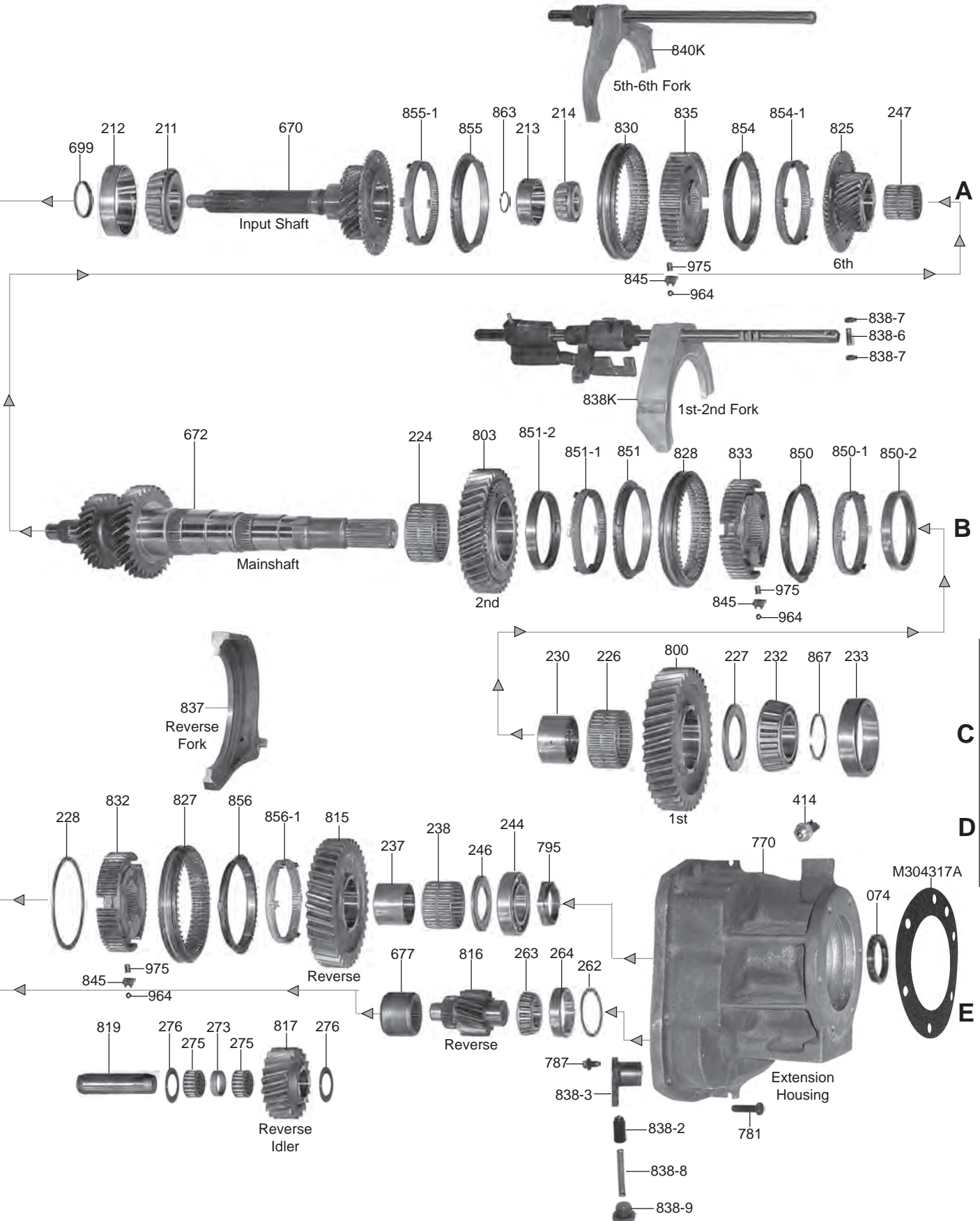


New Venture

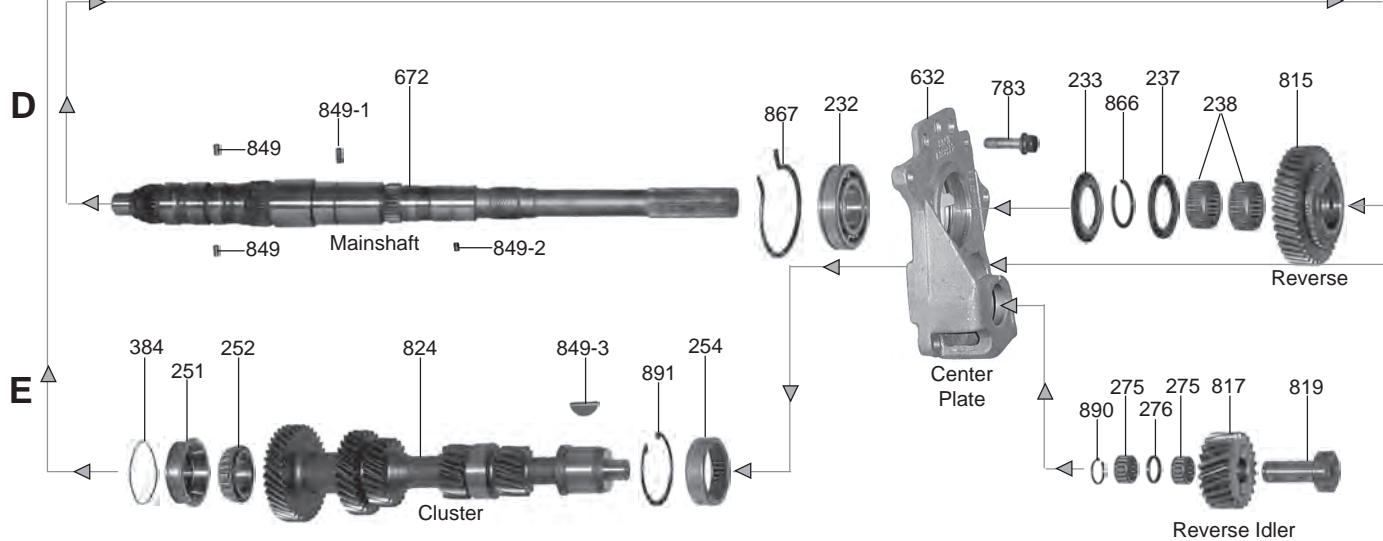
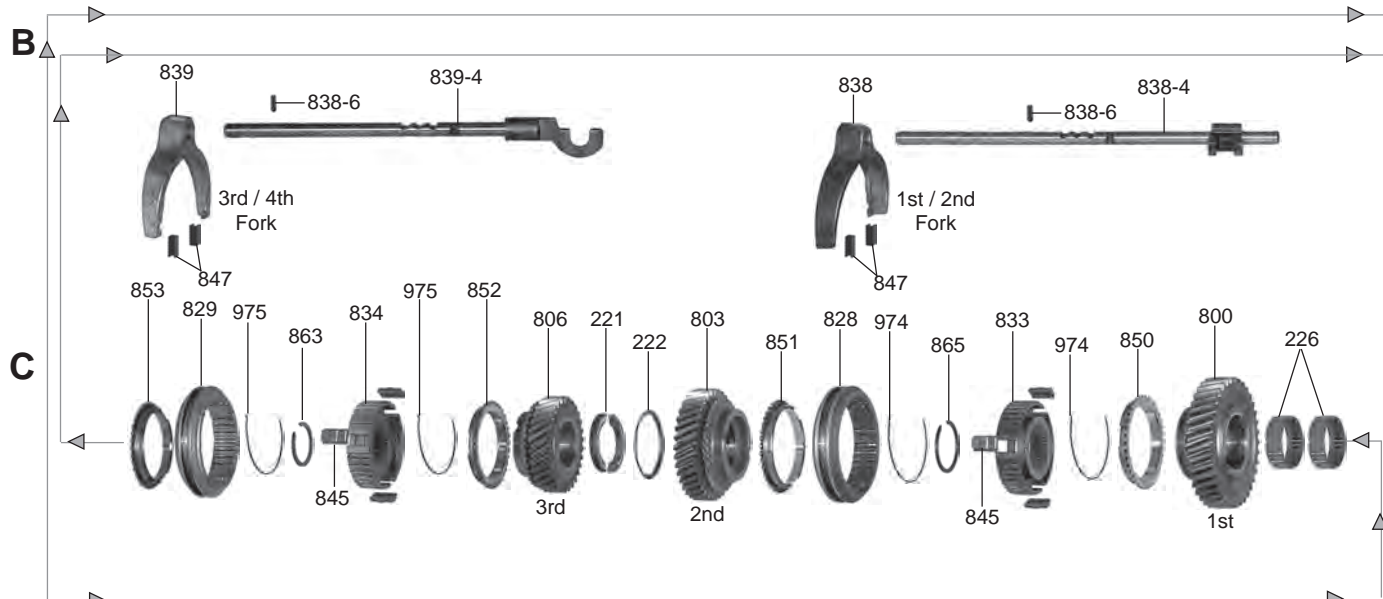
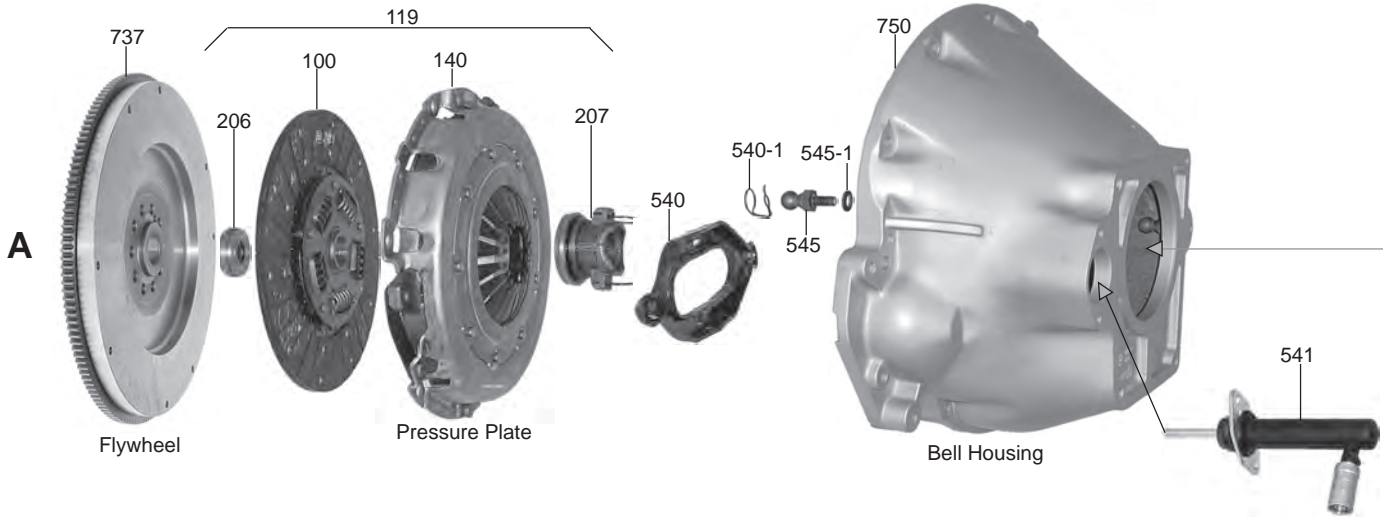


New Venture

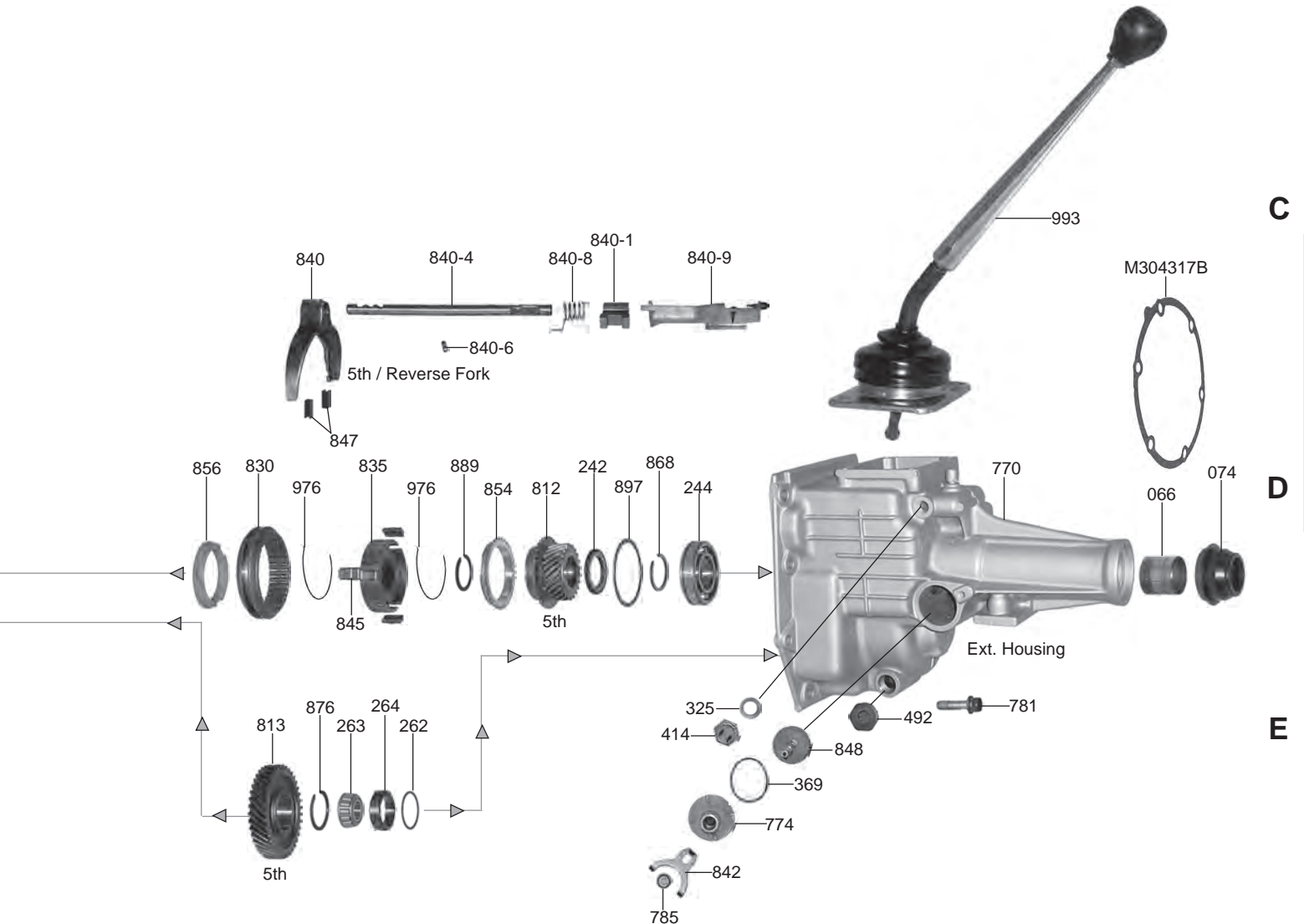
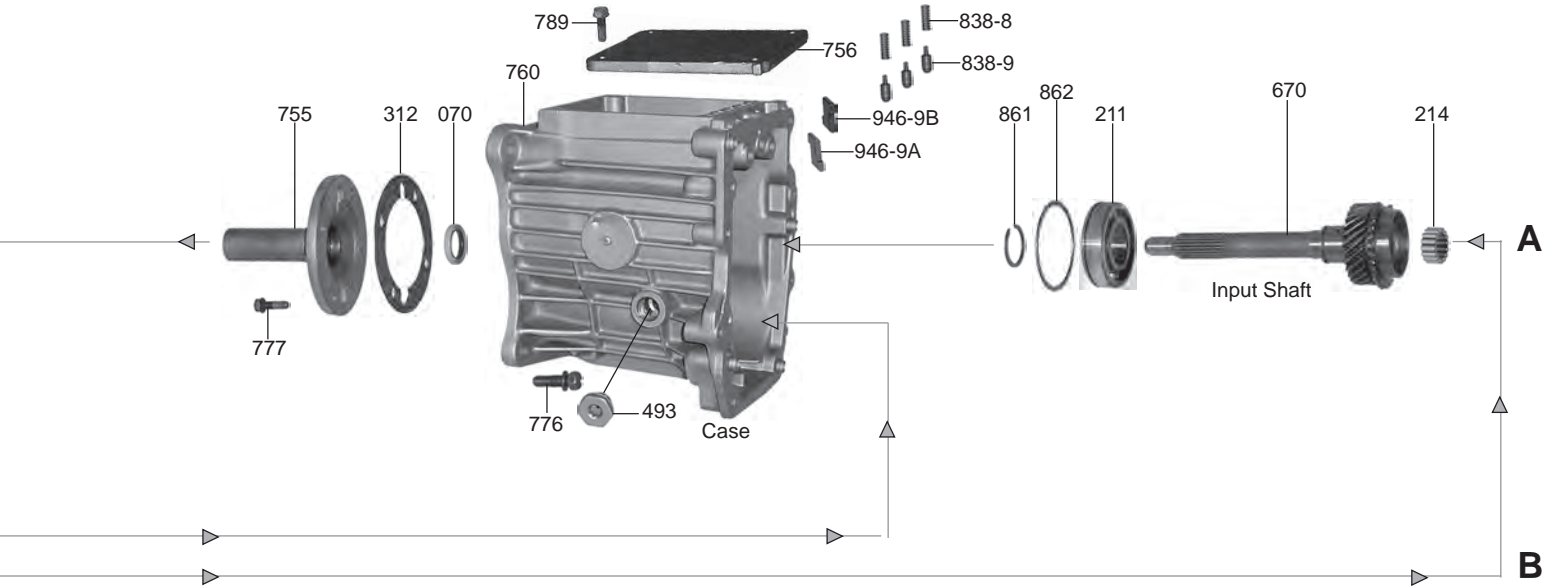




New Venture  
C  
D  
E



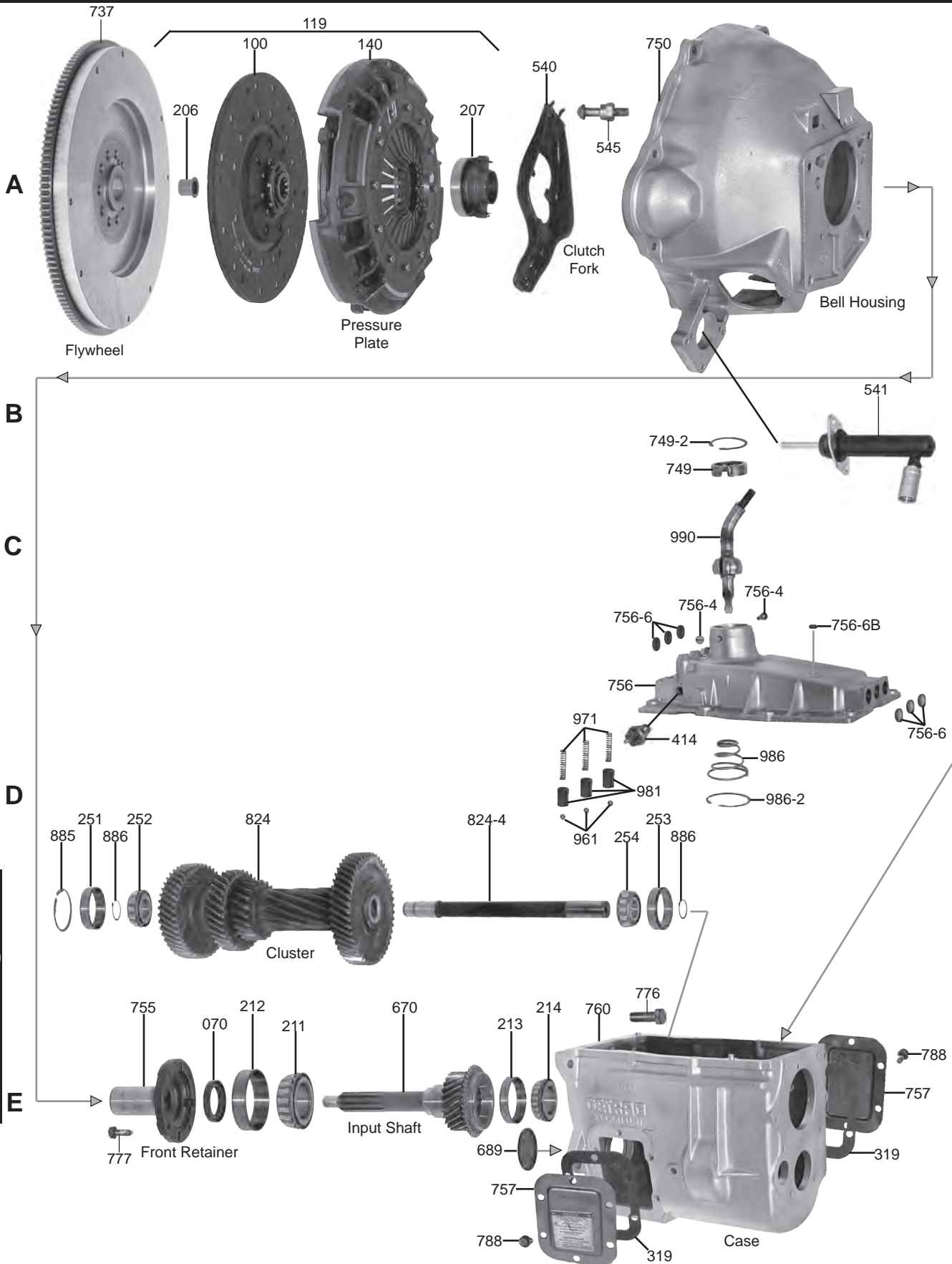
New Process



New Process

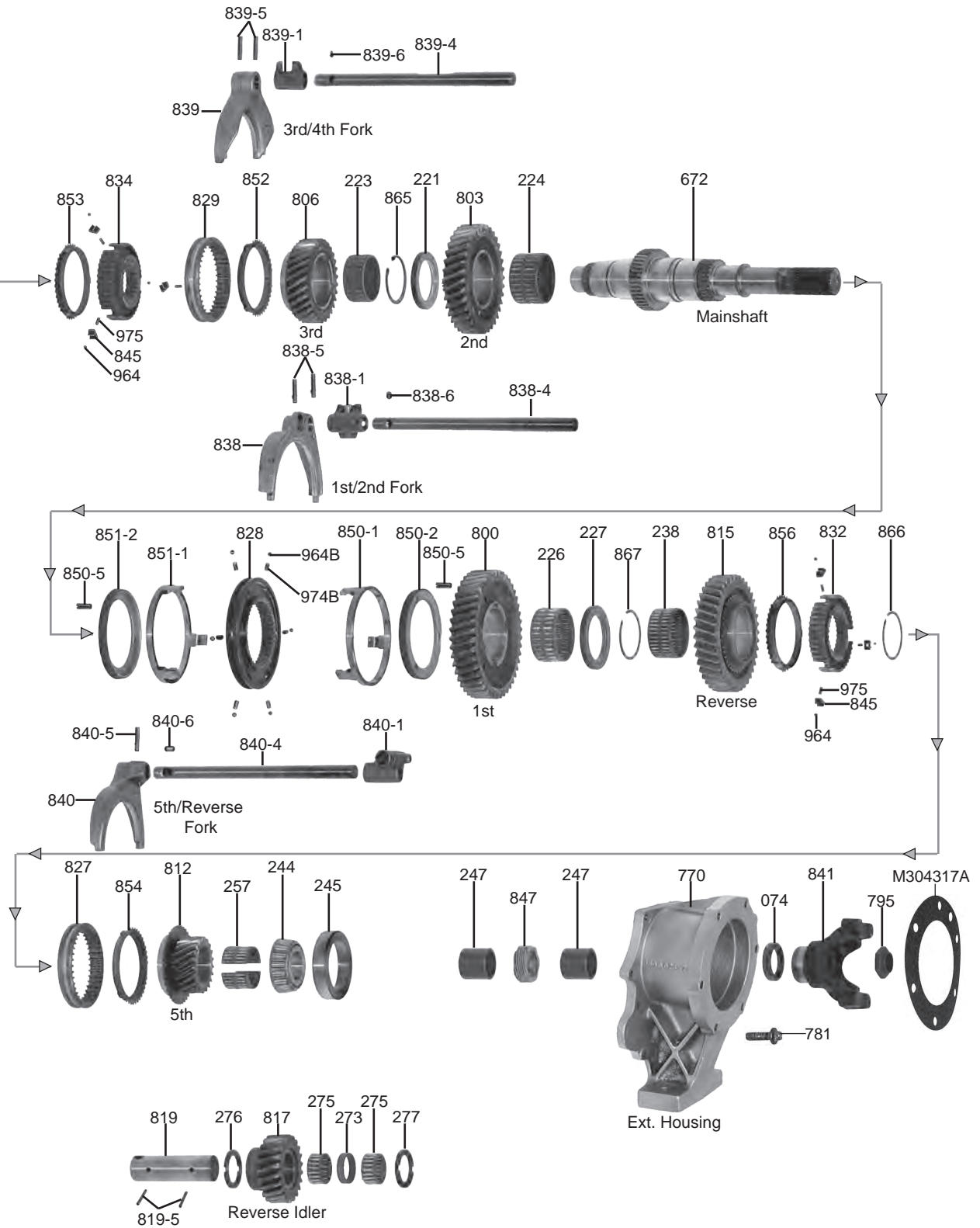
# G360

# RWD 5 Speed M515 Series



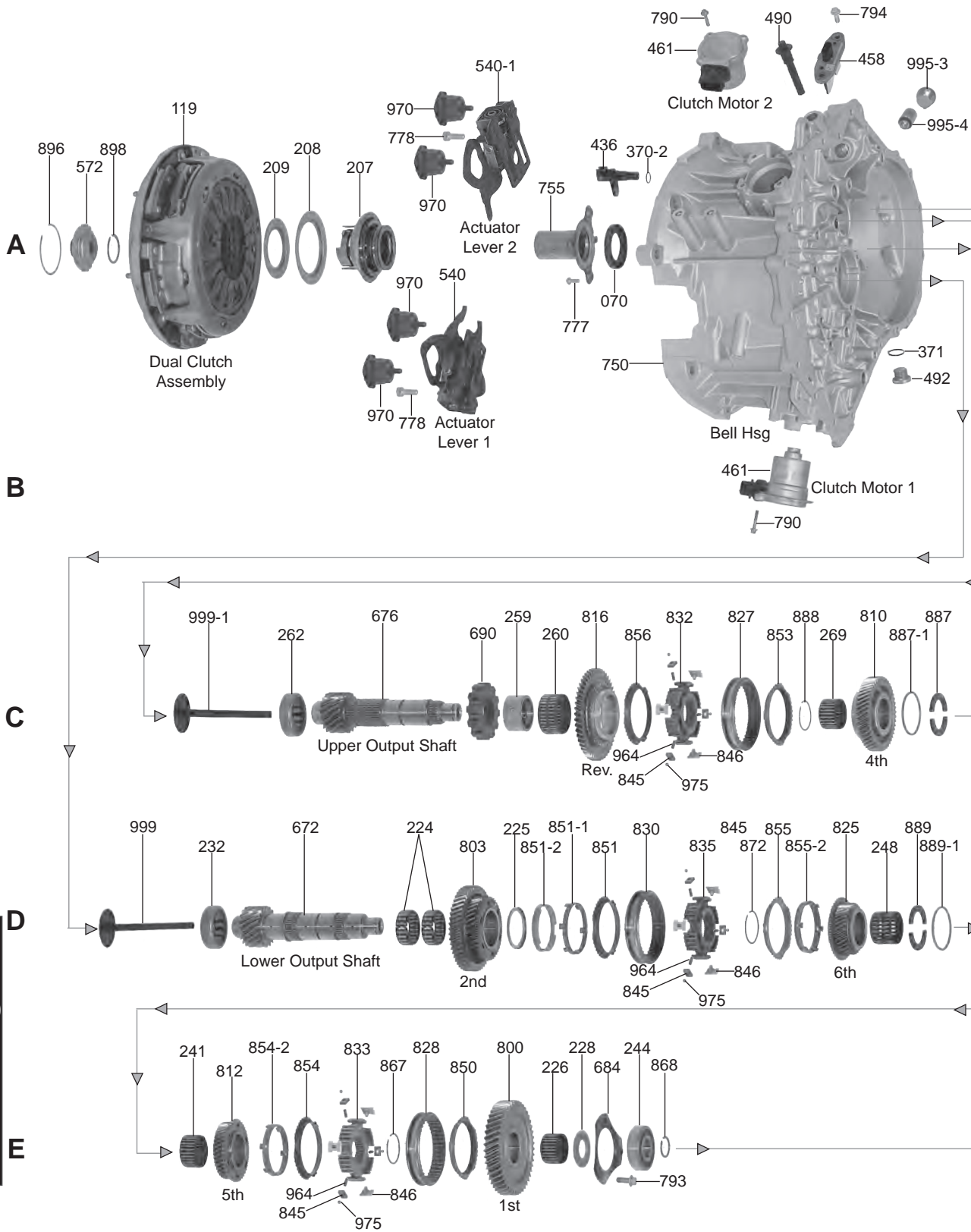
Getrag





# DCT250 (Dual Clutch)

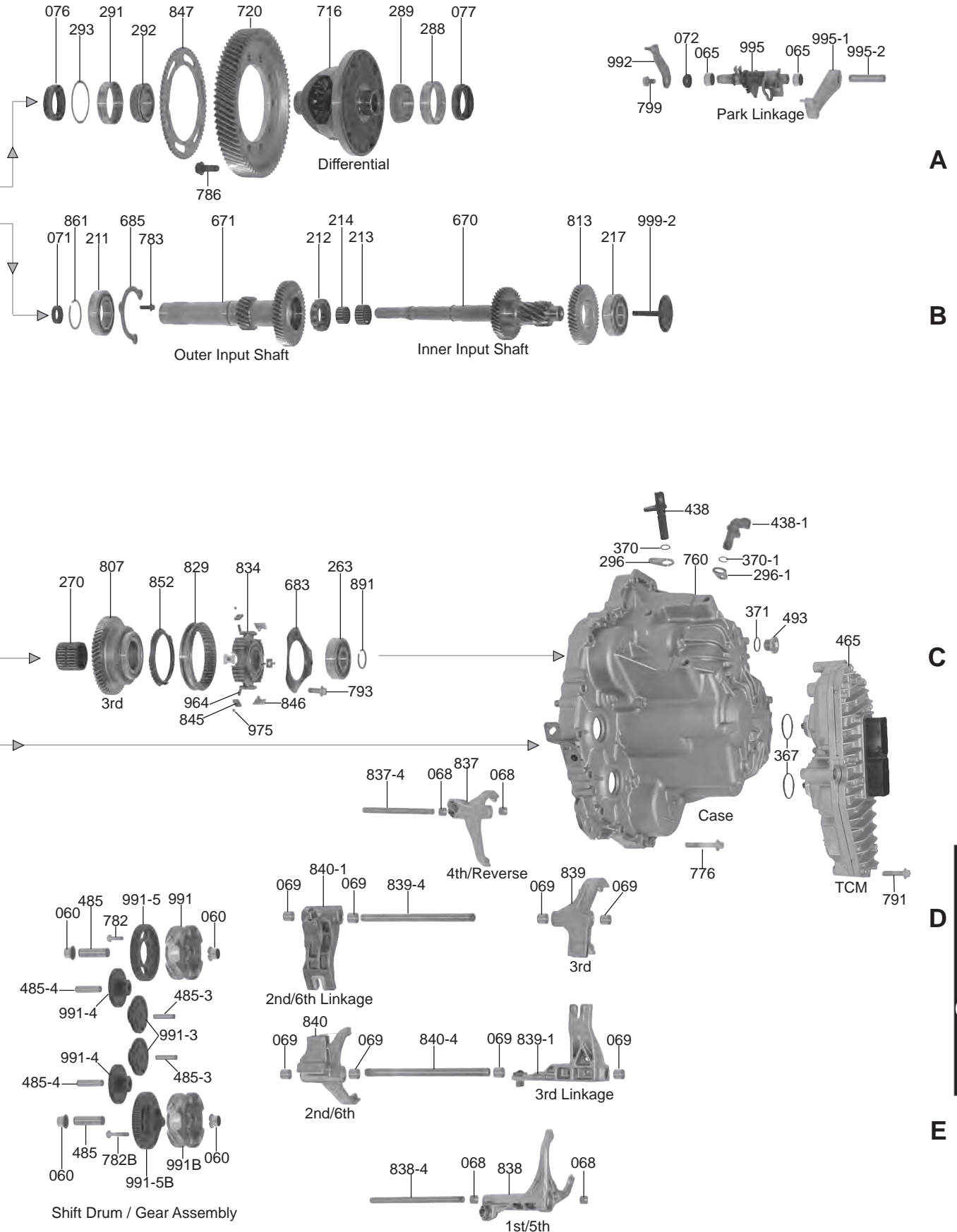
FWD 6 Speed  
M906 Series

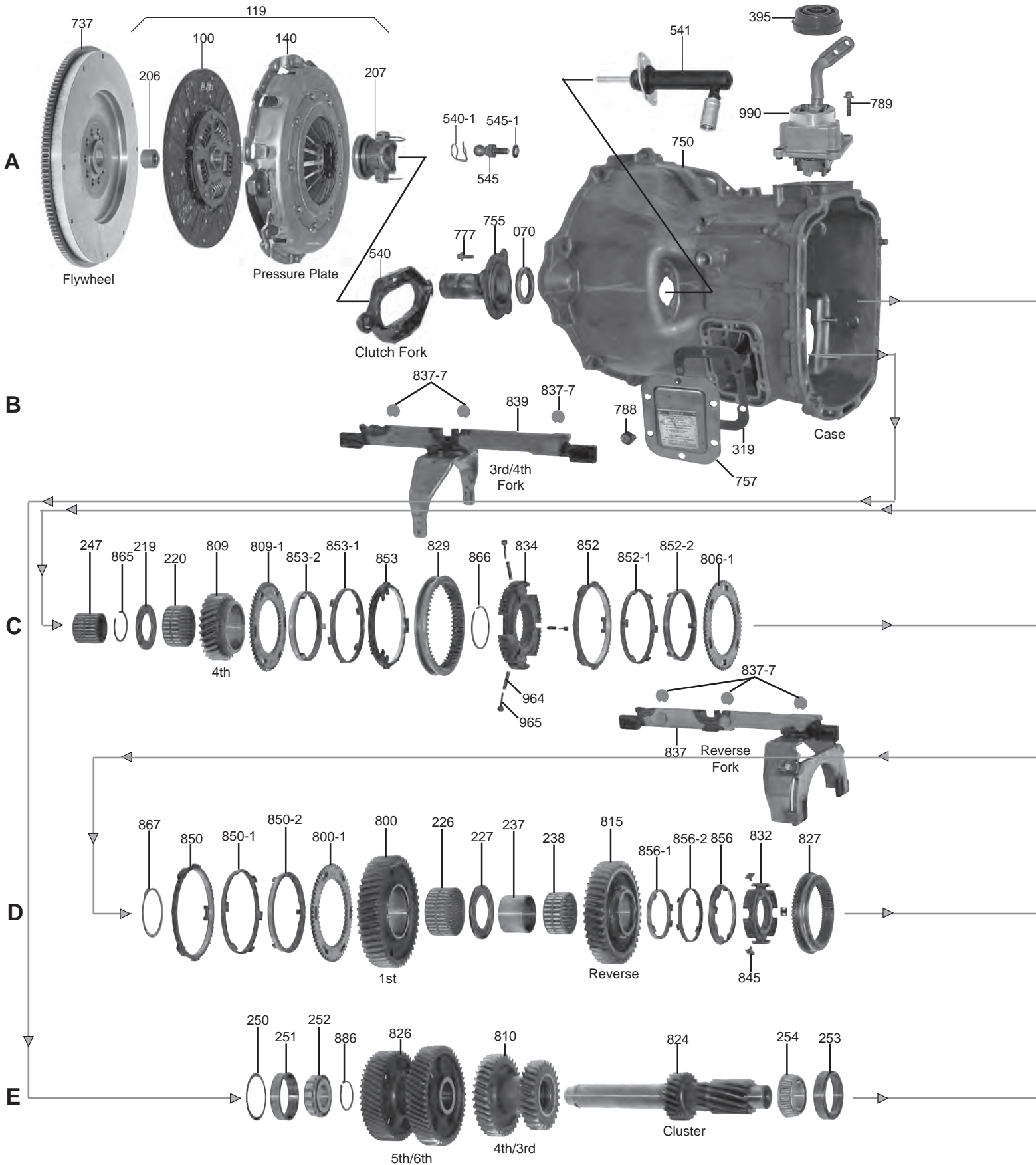


Getrag

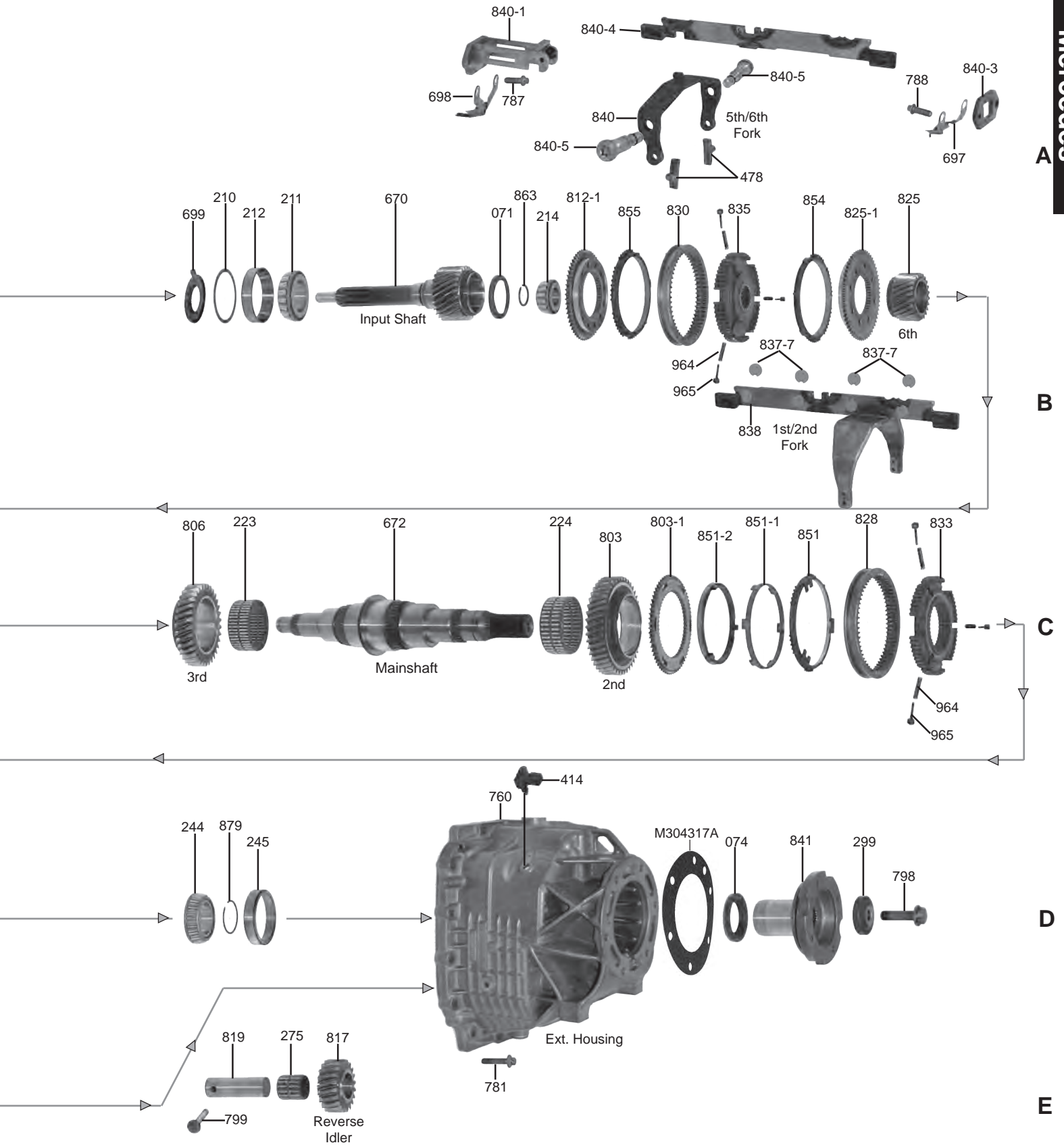
**FWD 6 Speed  
M906 Series**

**DCT250 (Dual Clutch)**

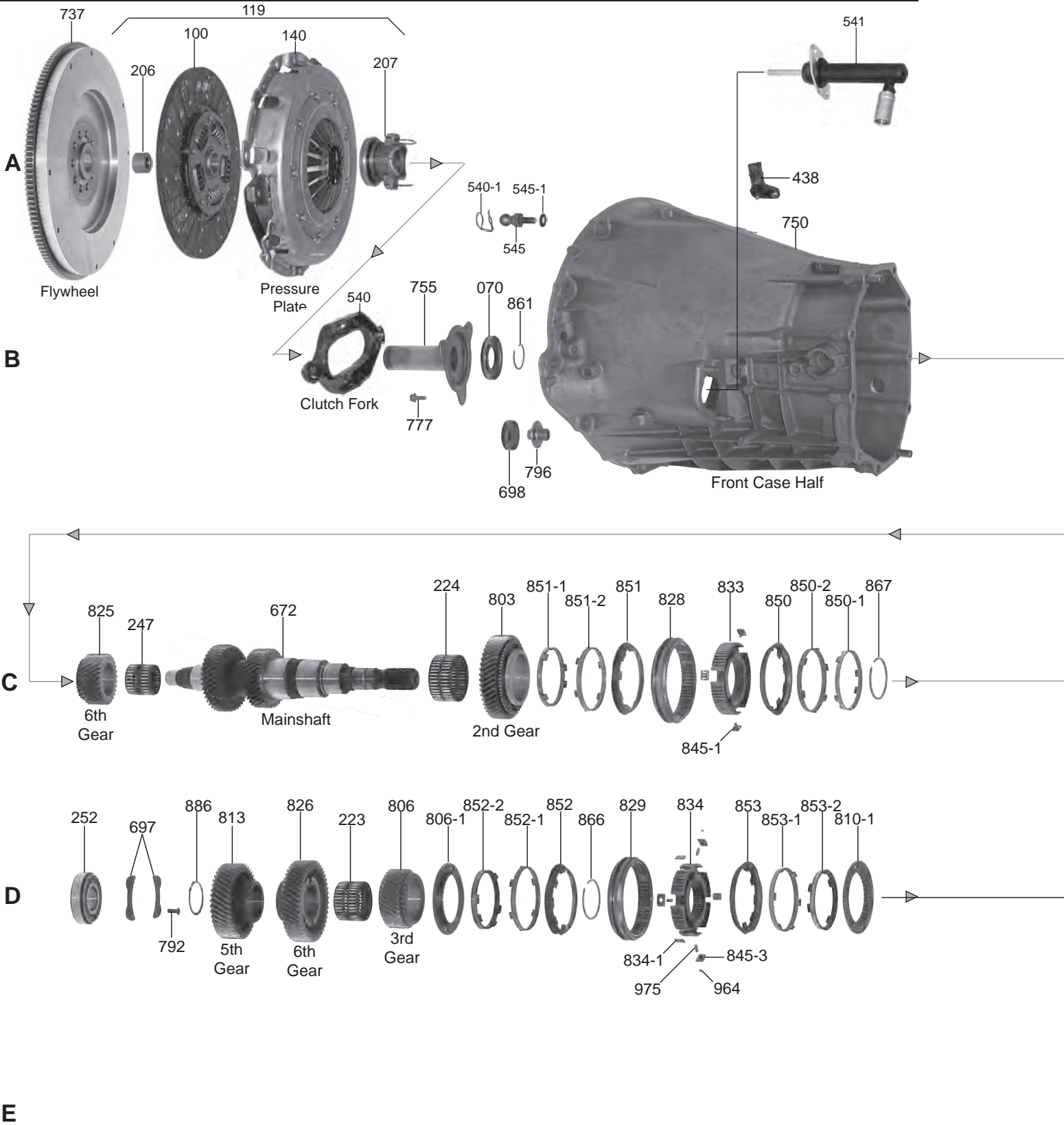


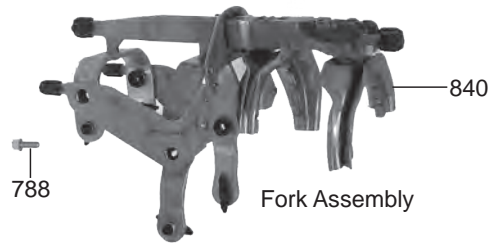




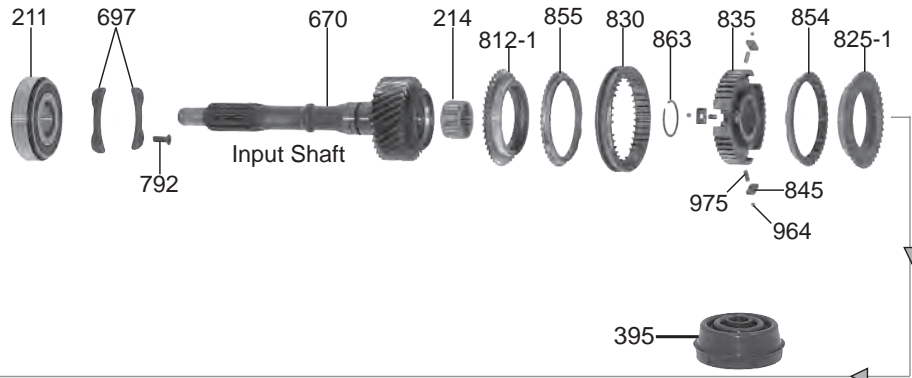


Mercedes

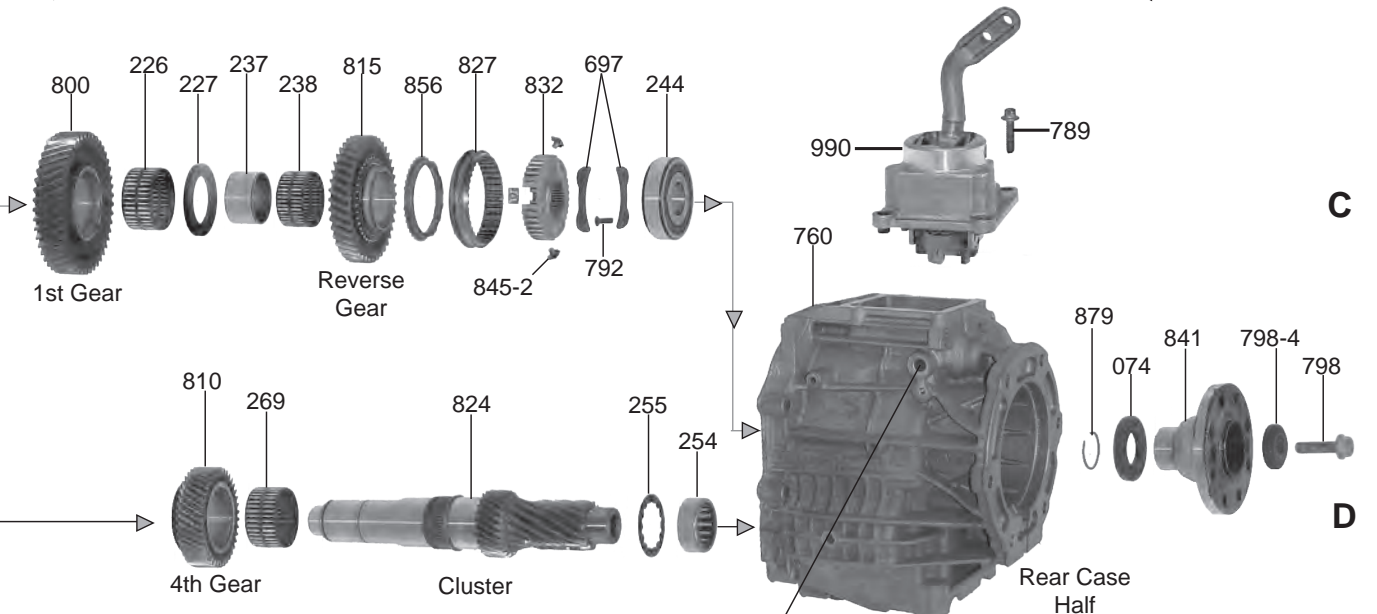




A

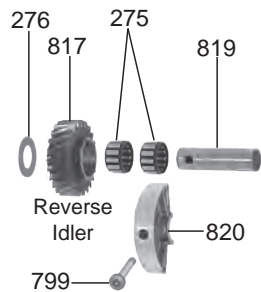


B



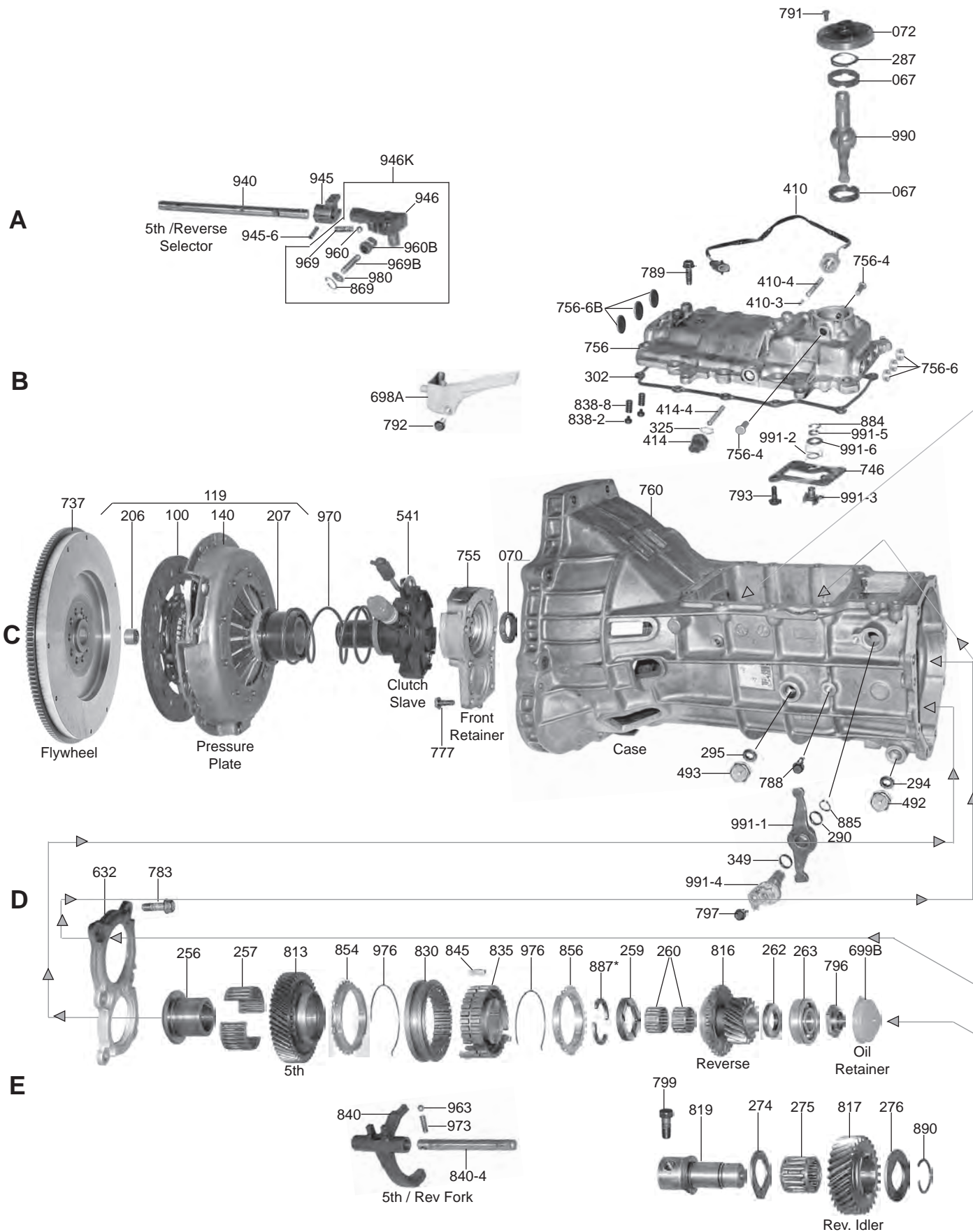
C

D

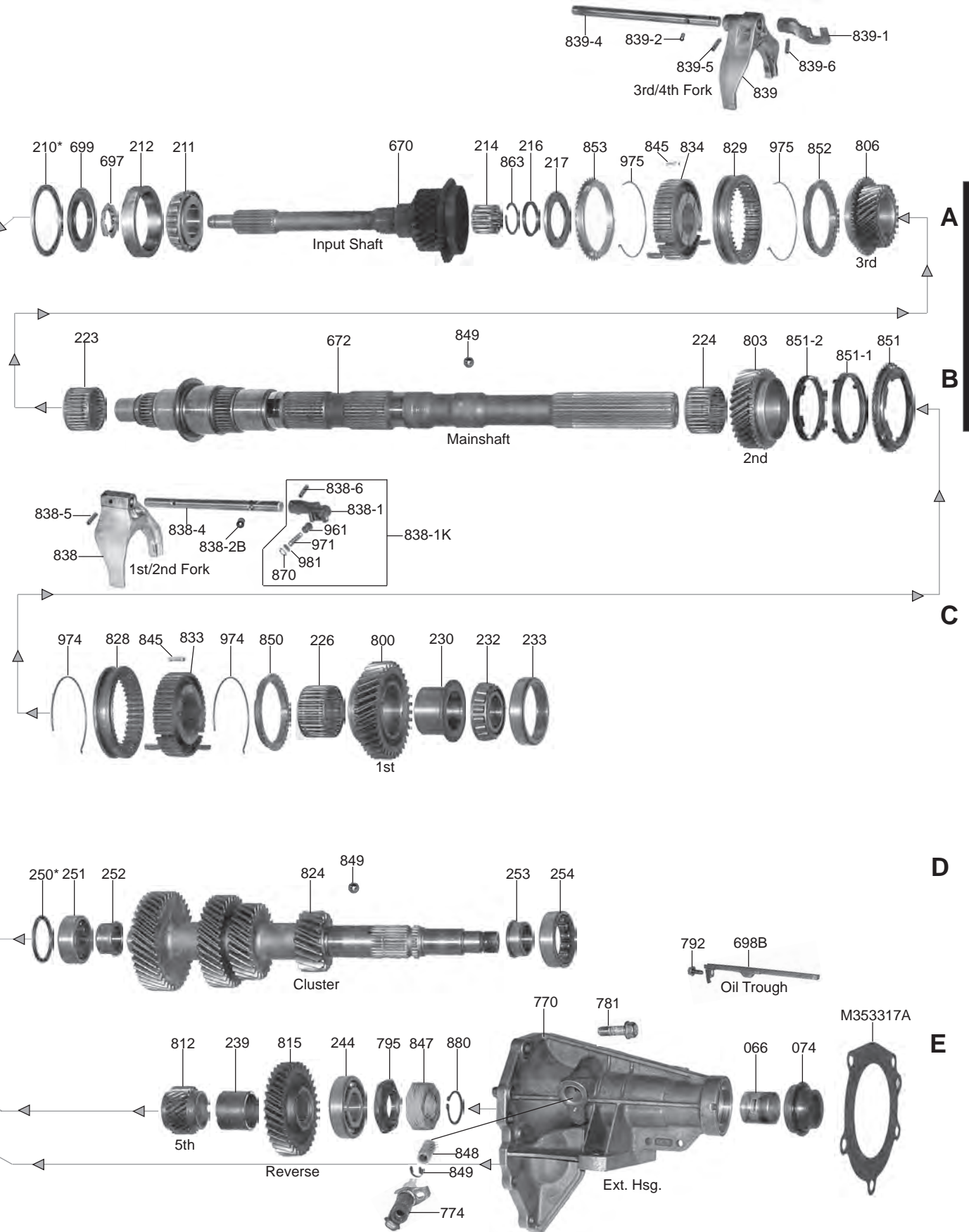


E

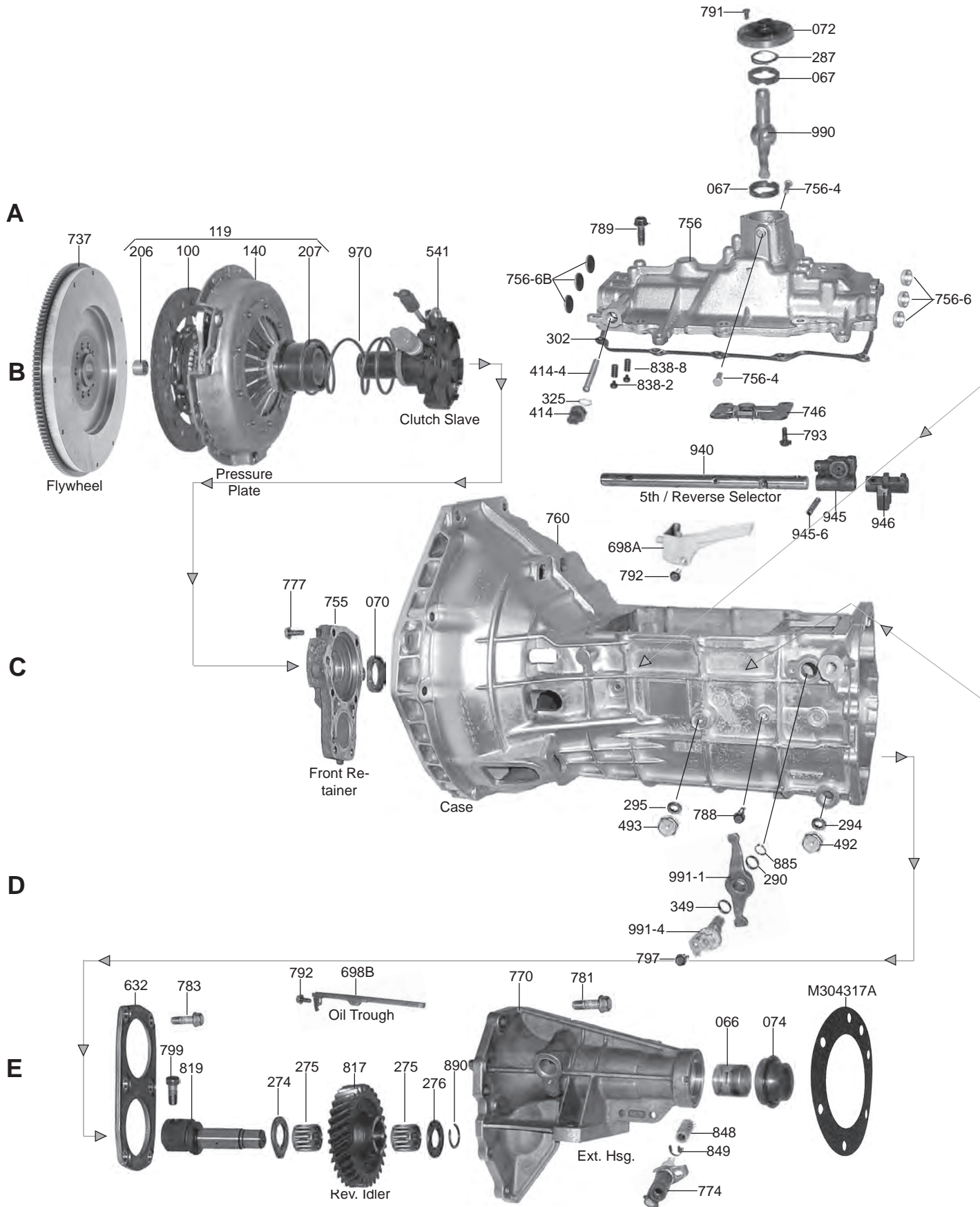
Ford

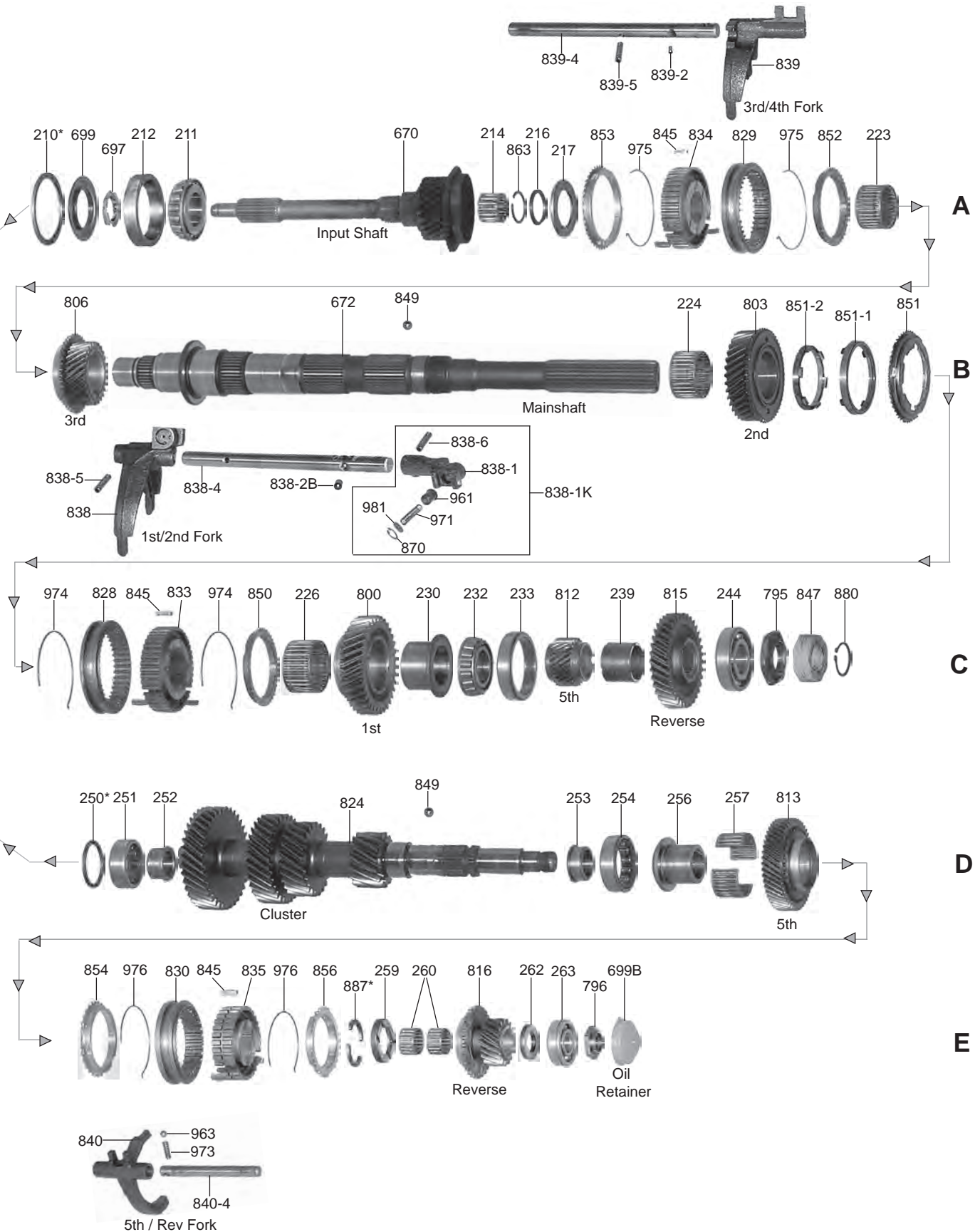






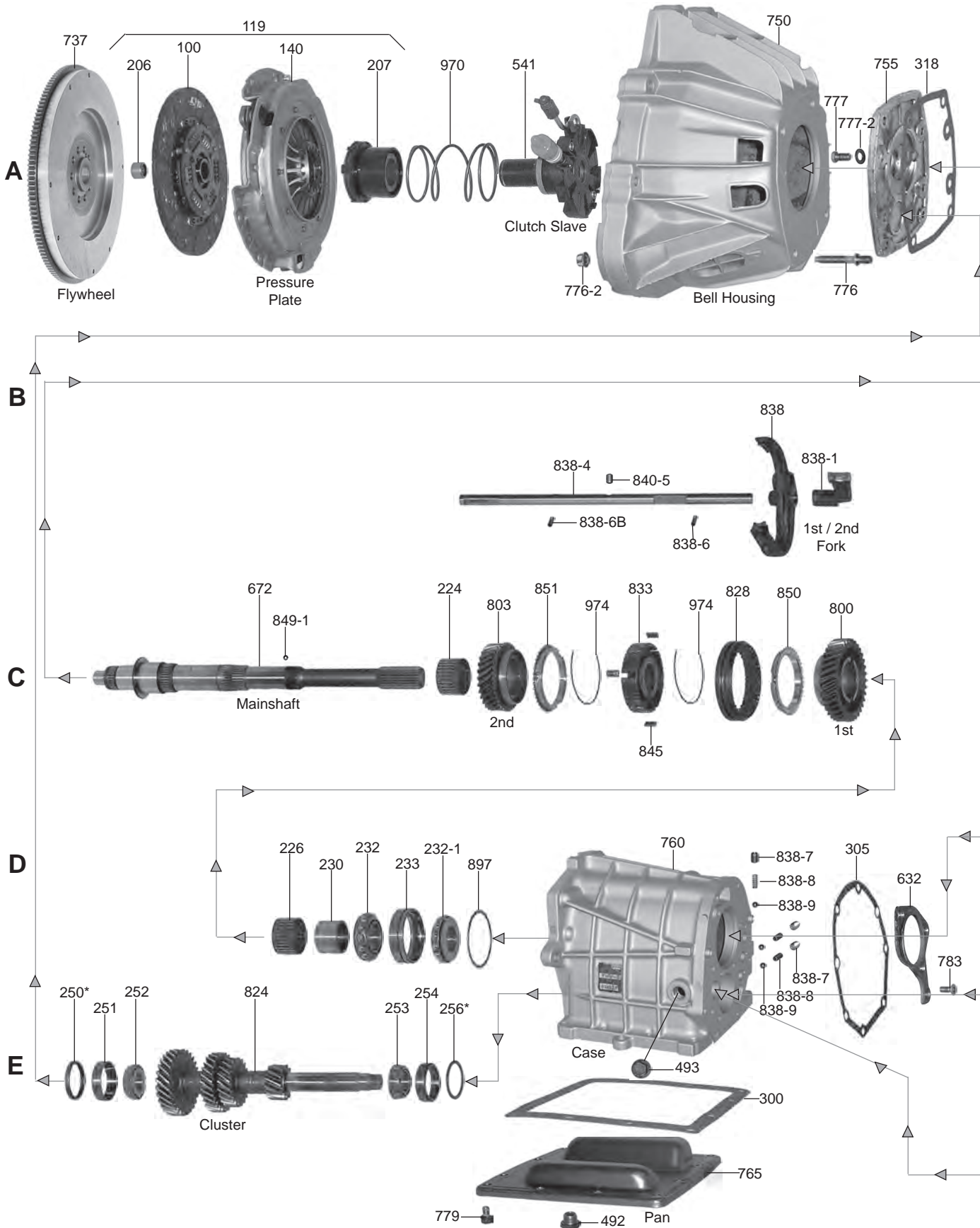
Ford



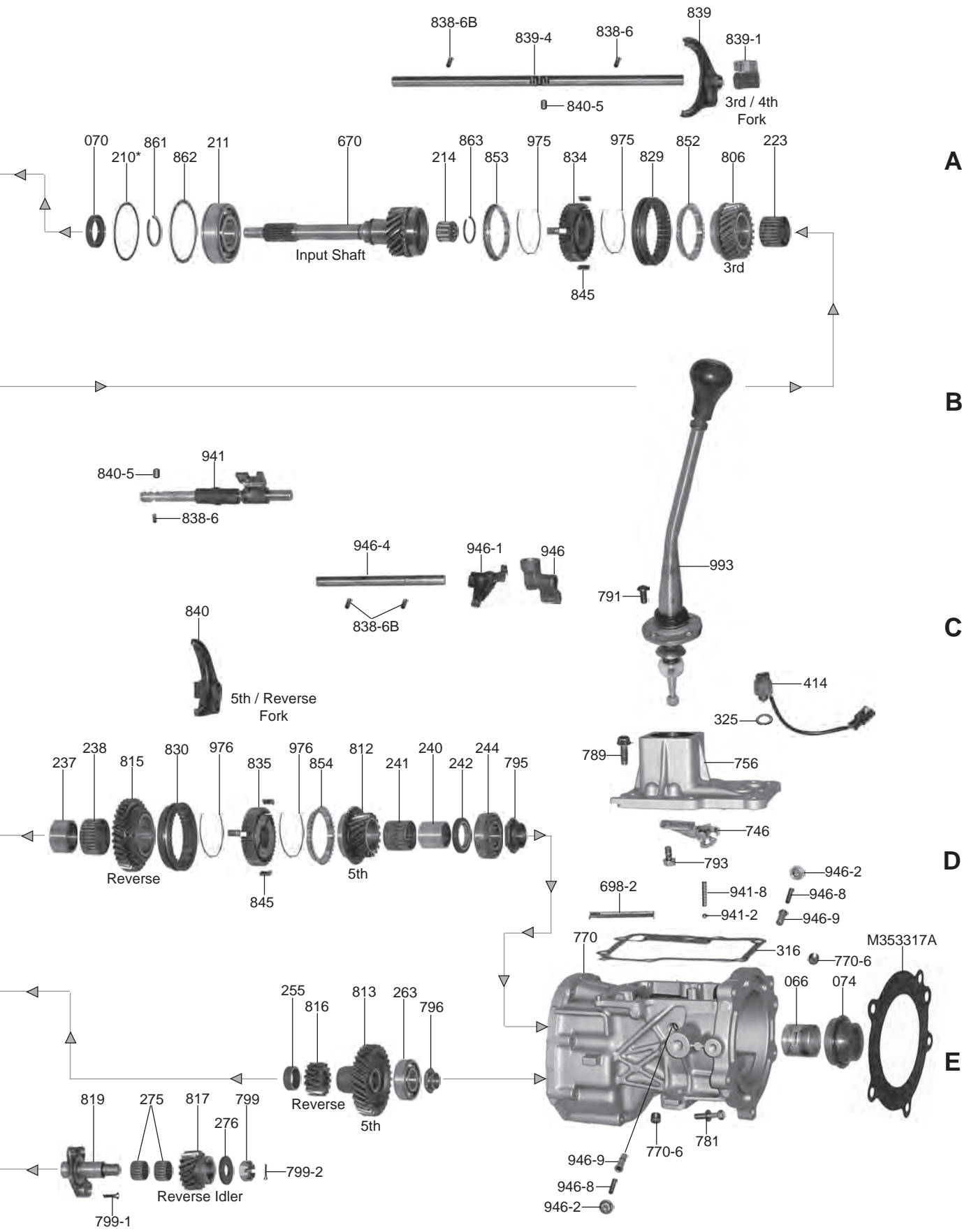




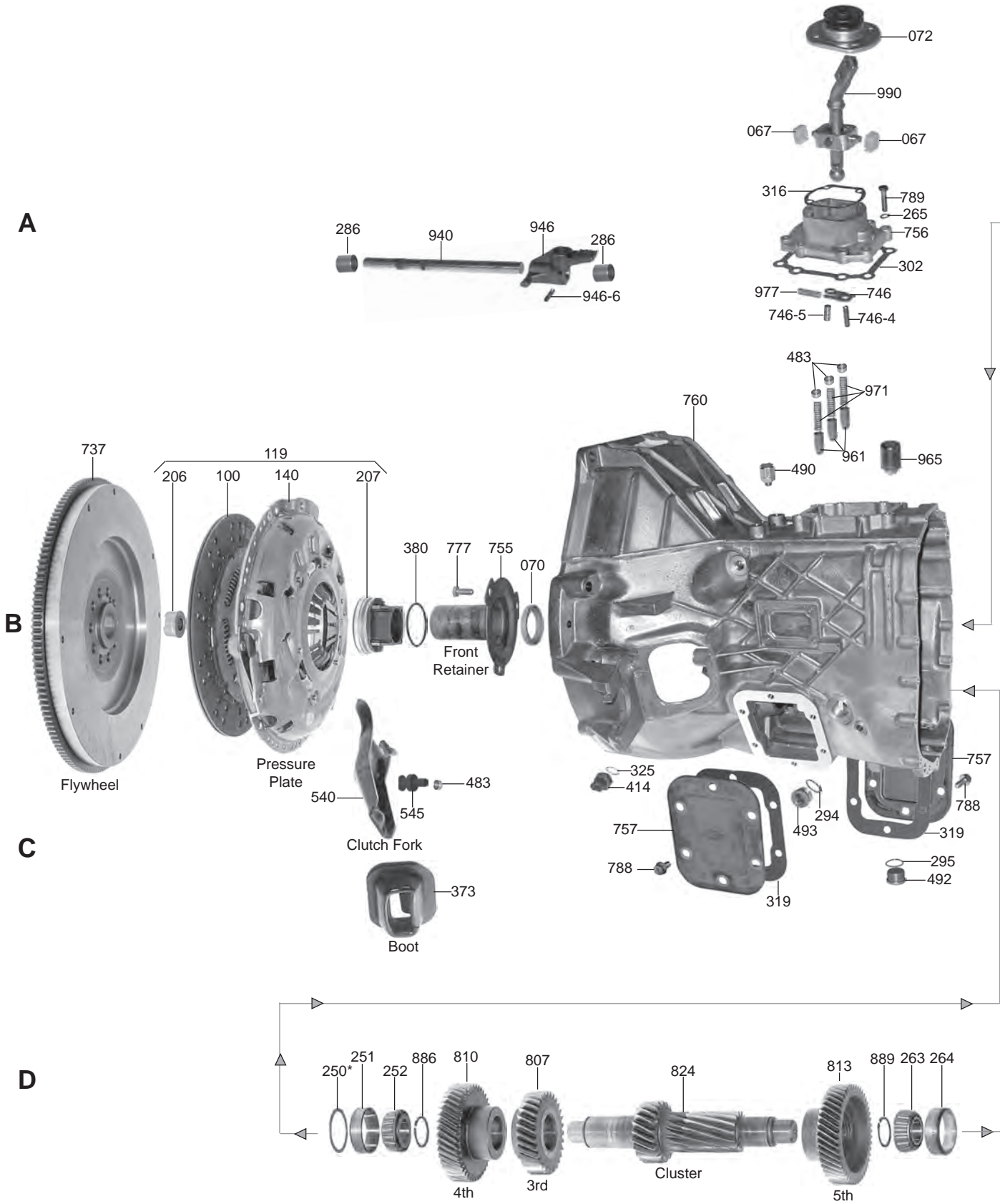
Ford

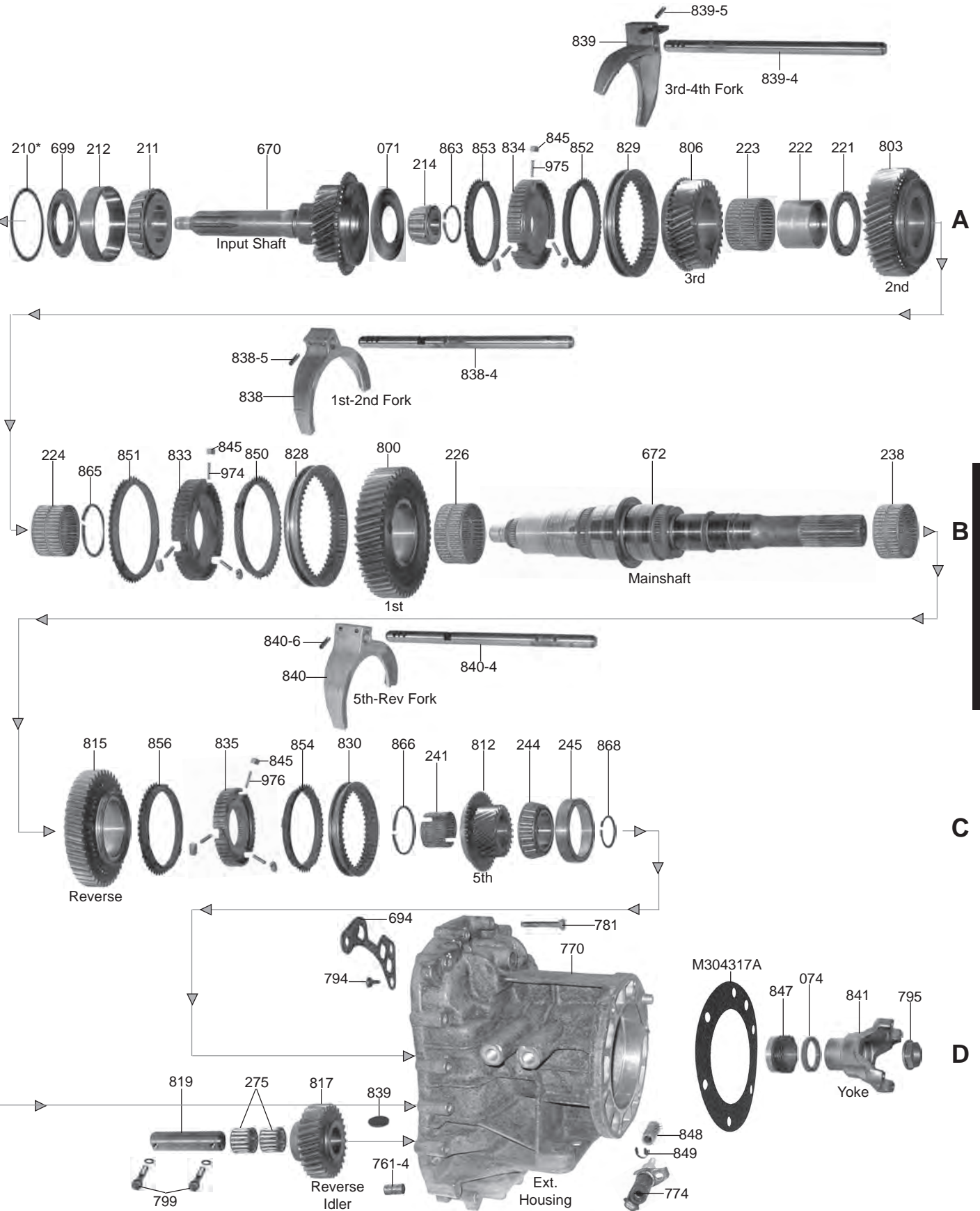




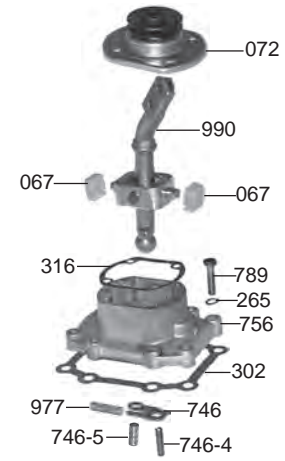
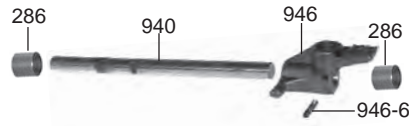


ZF

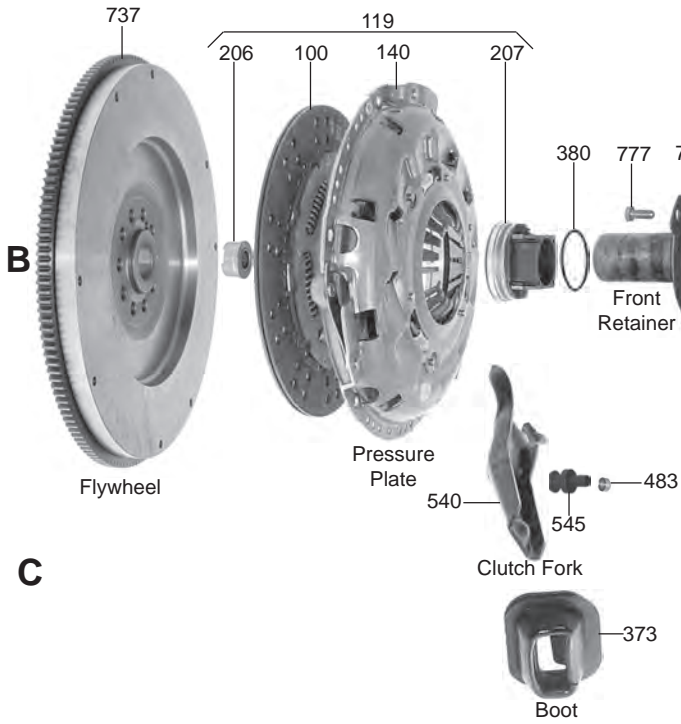




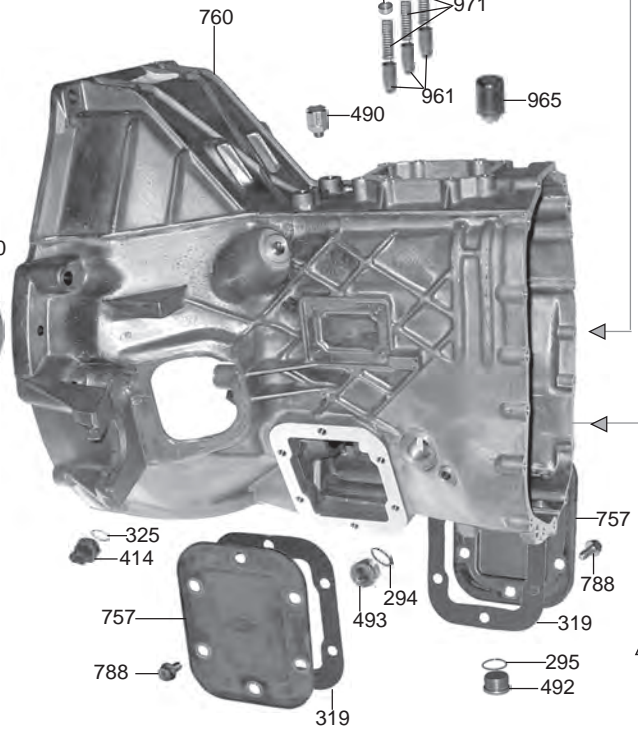
**A**



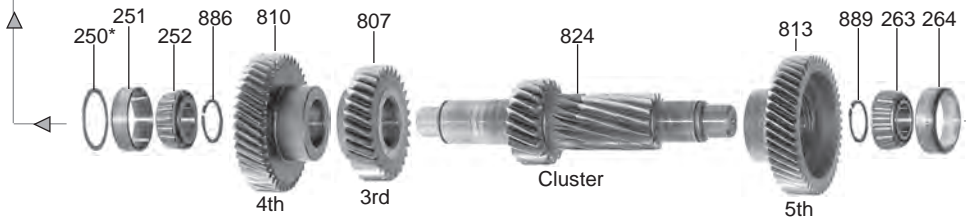
**B**



**C**



**D**

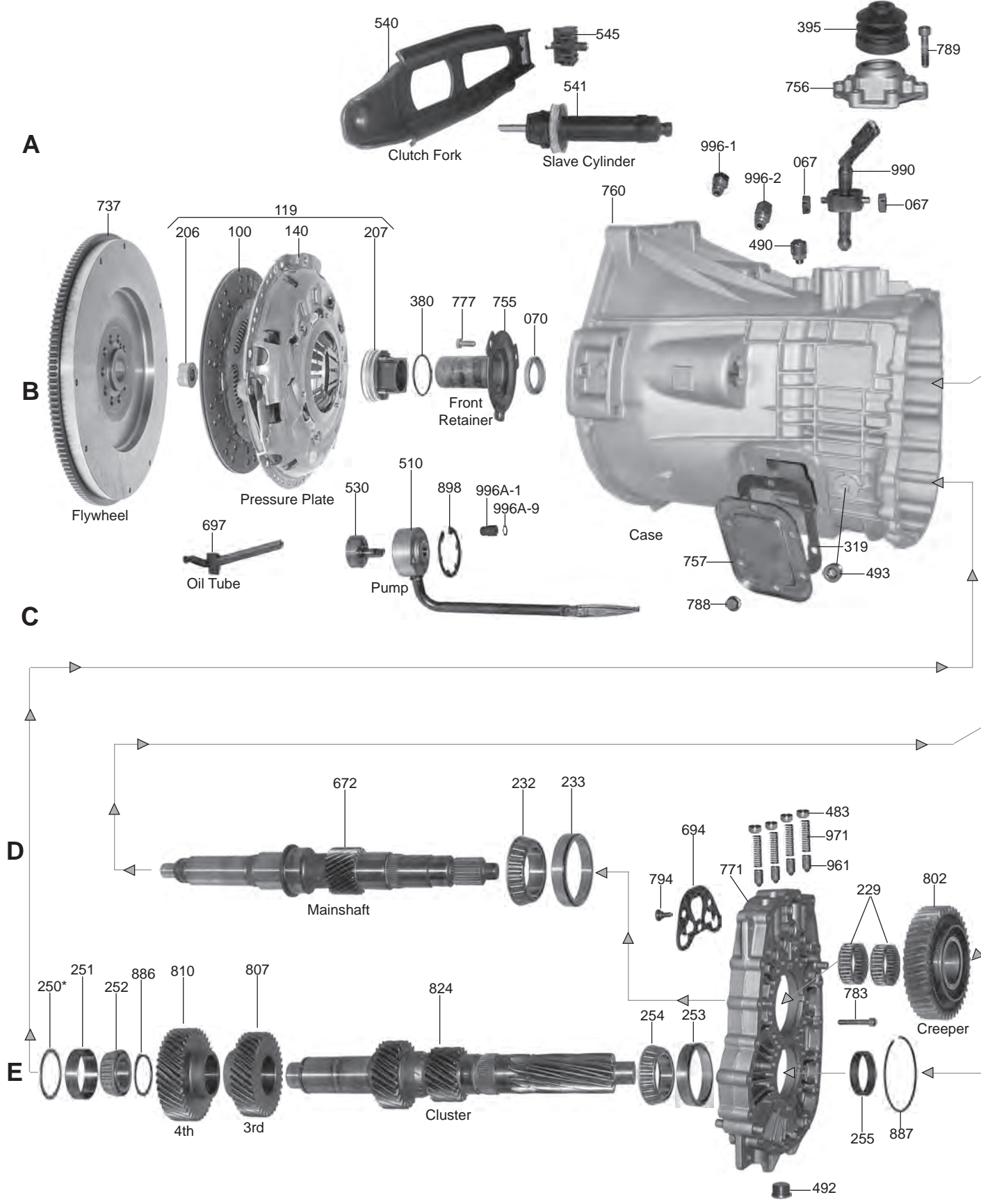


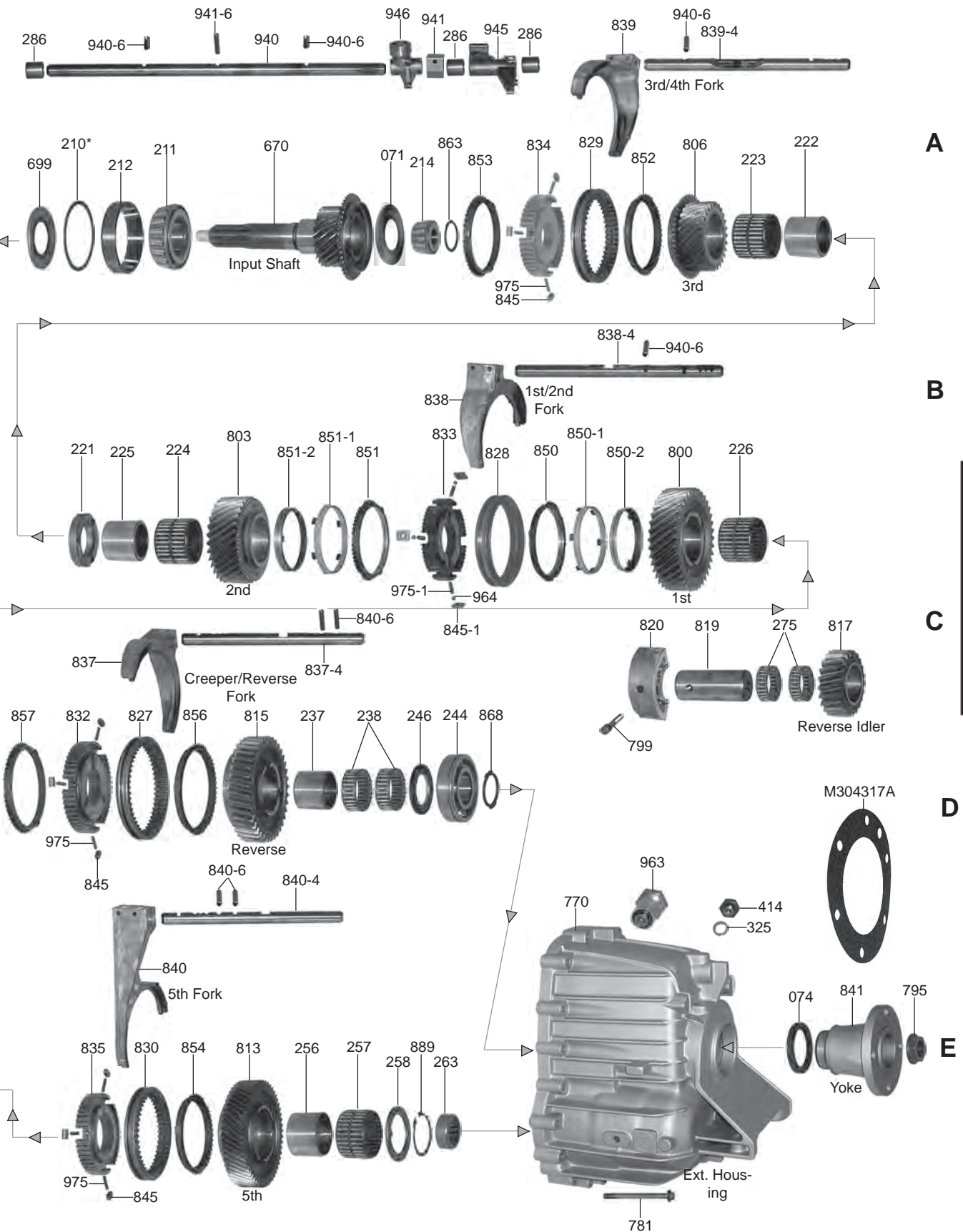
ZF

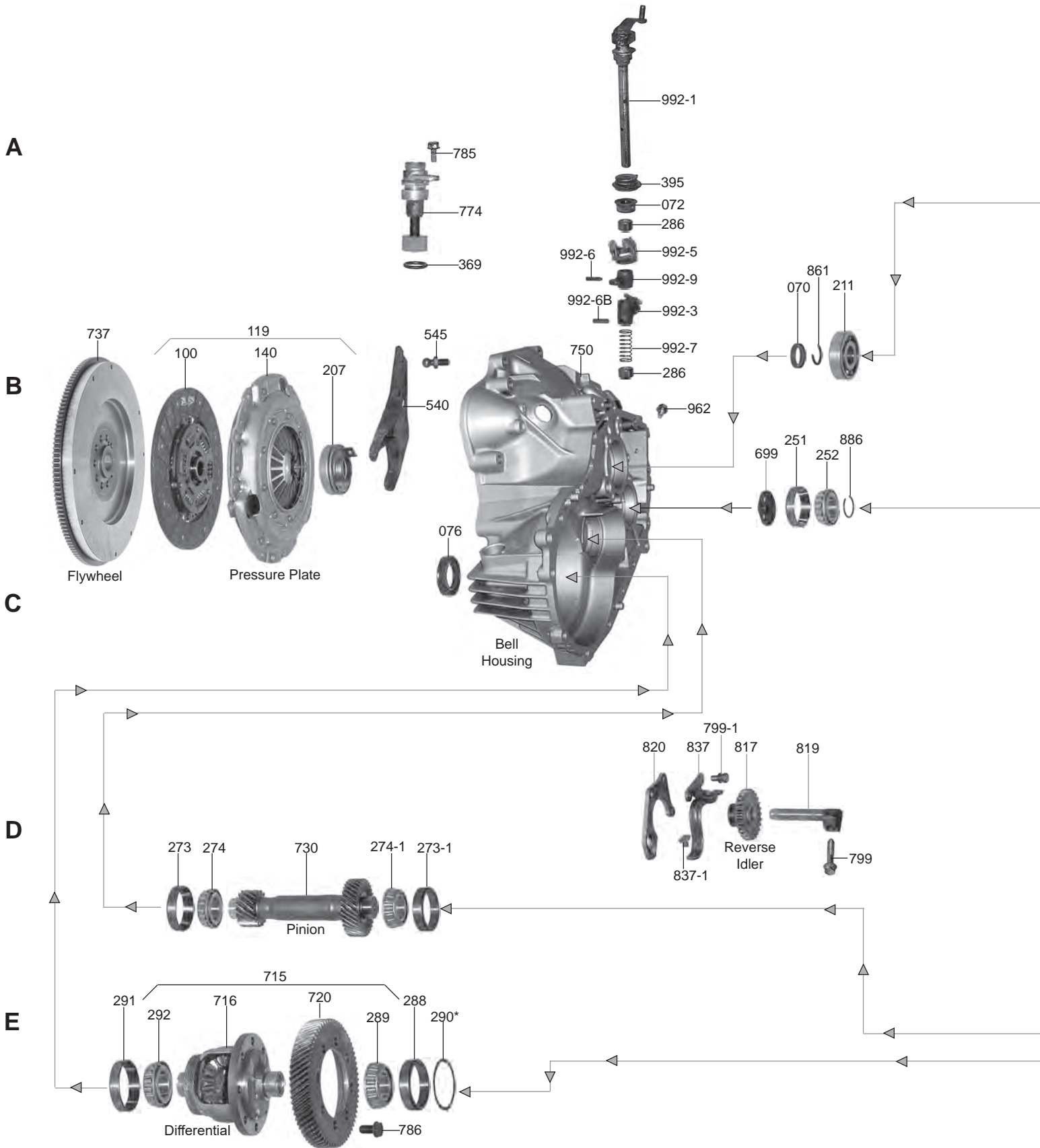




ZF

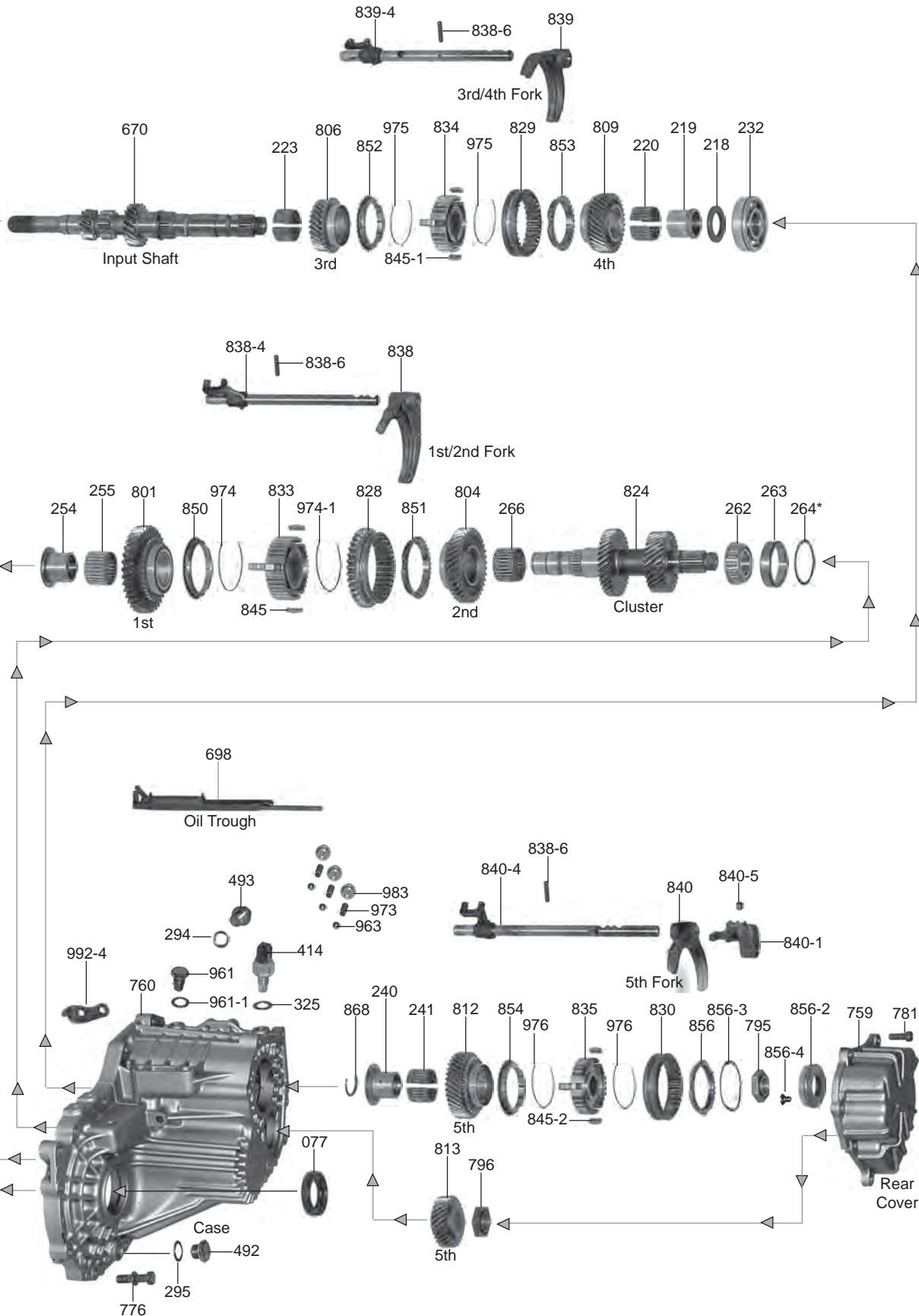




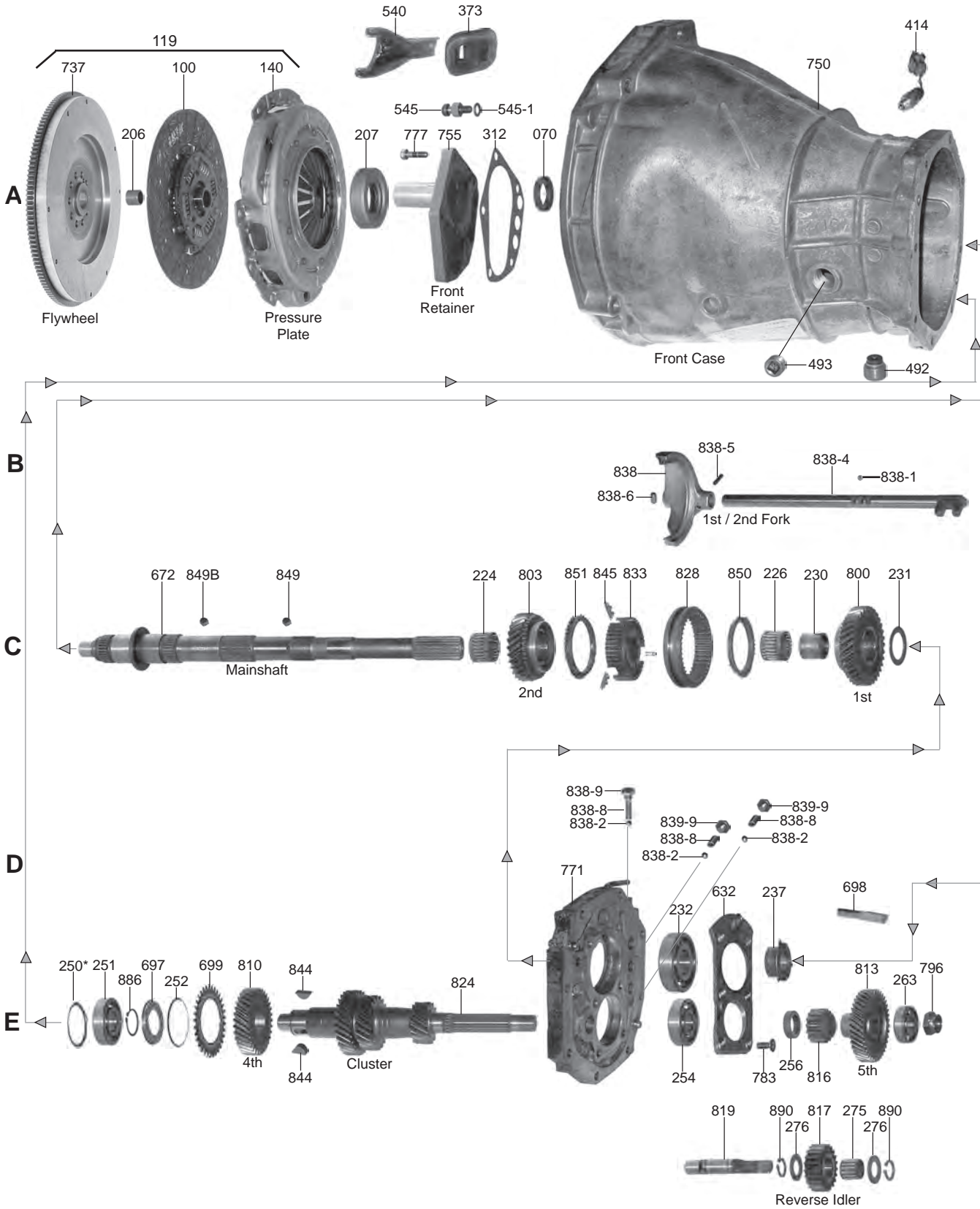


Foreign

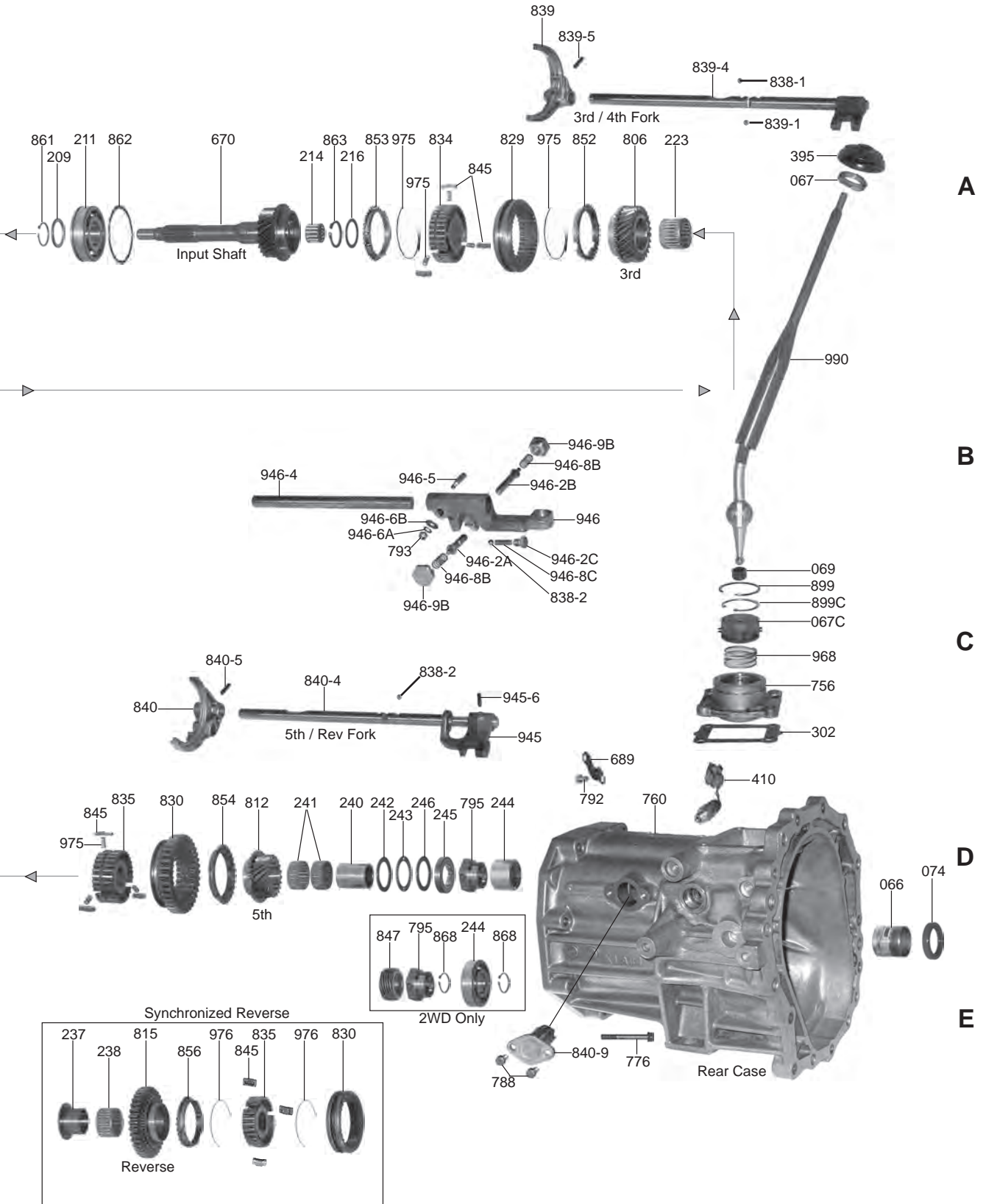




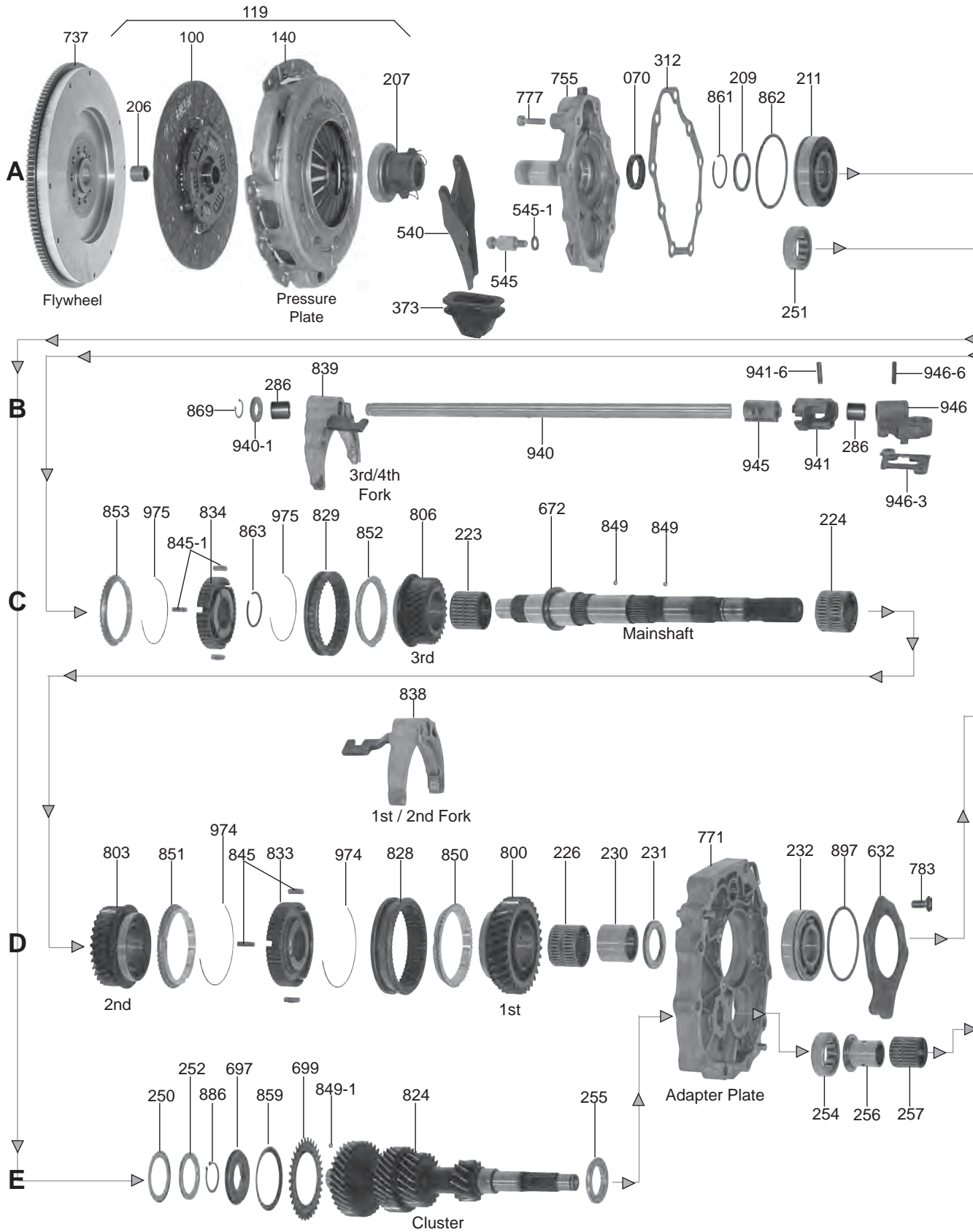
Foreign



Foreign

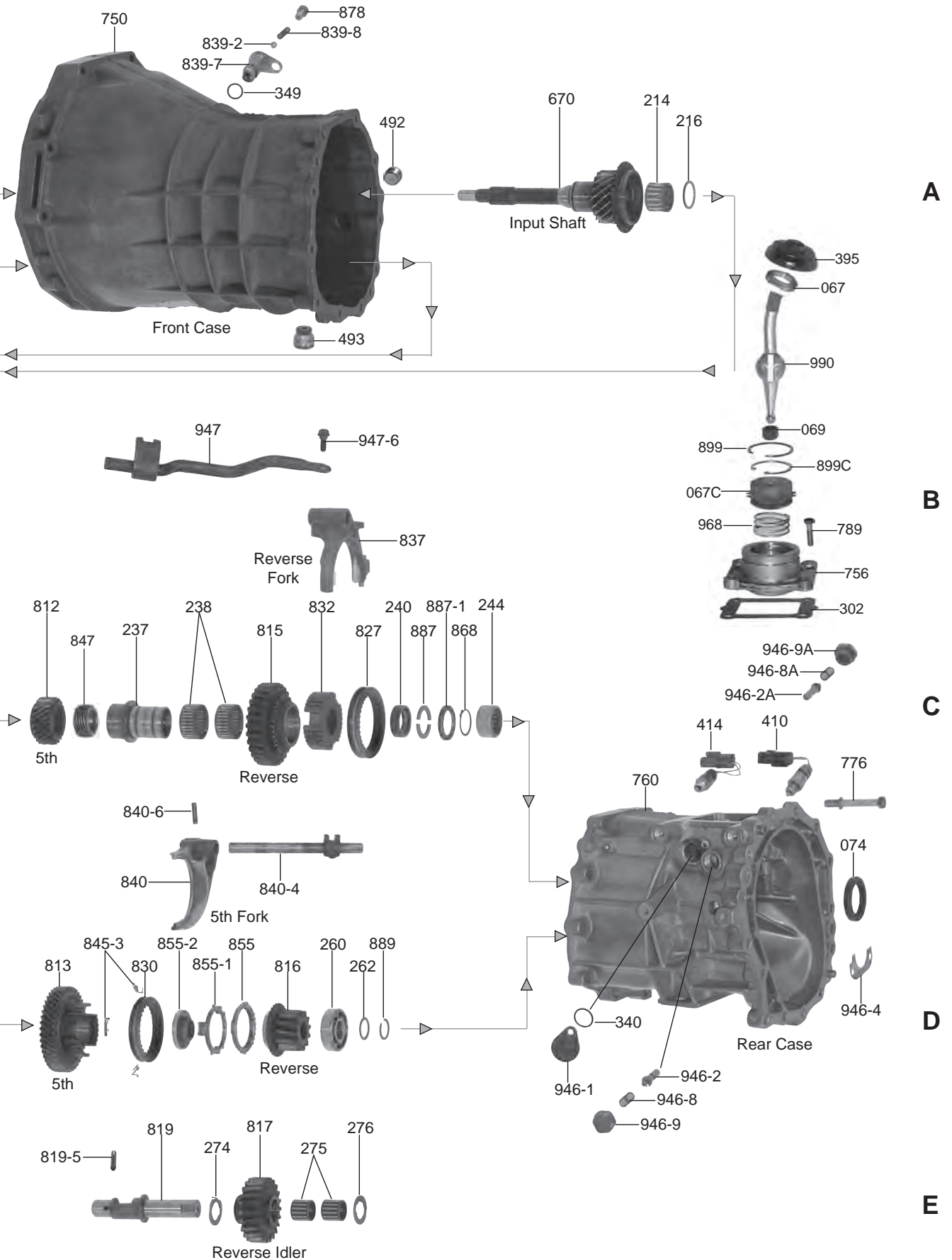


Foreign



Foreign





A

B

C

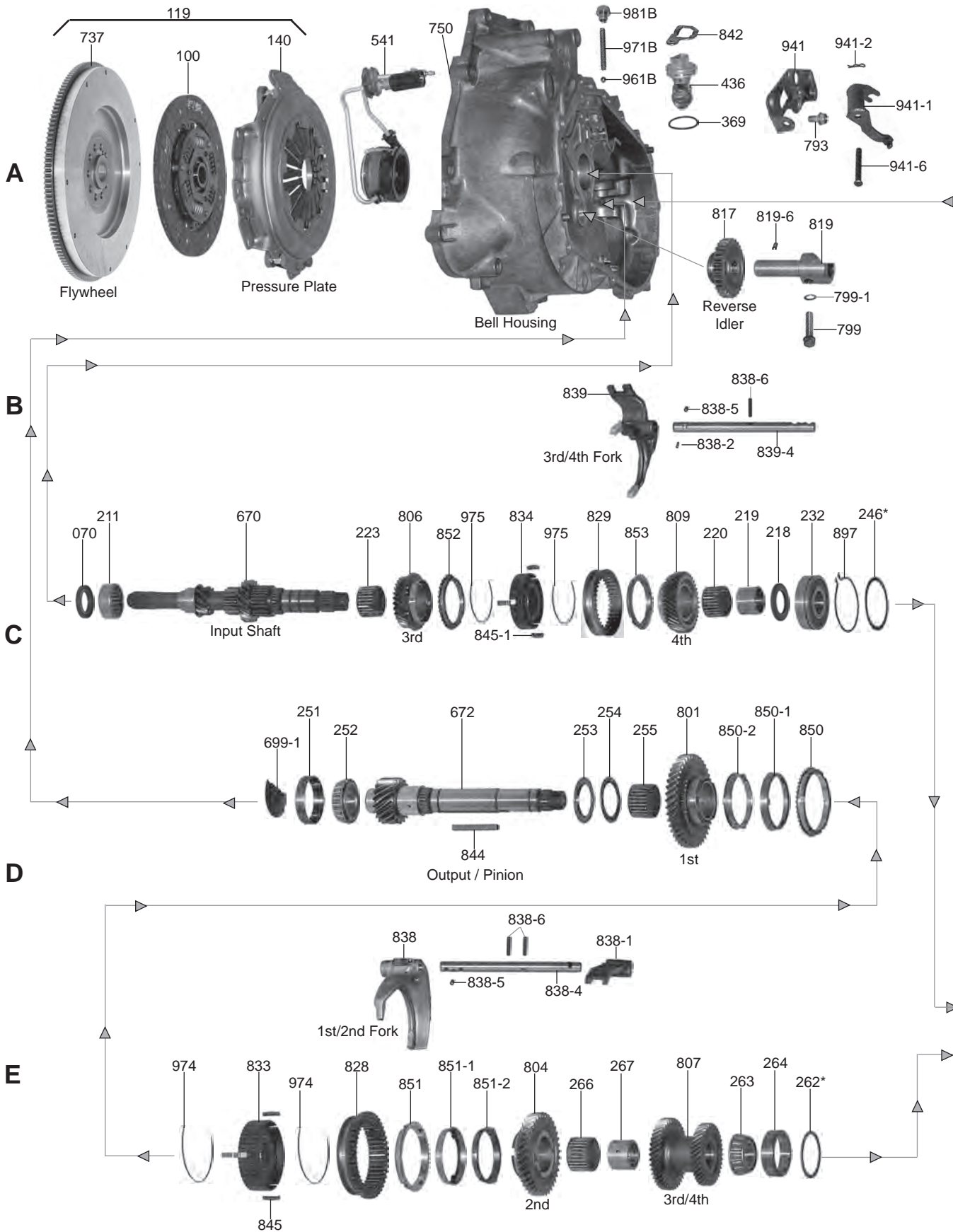
D

E

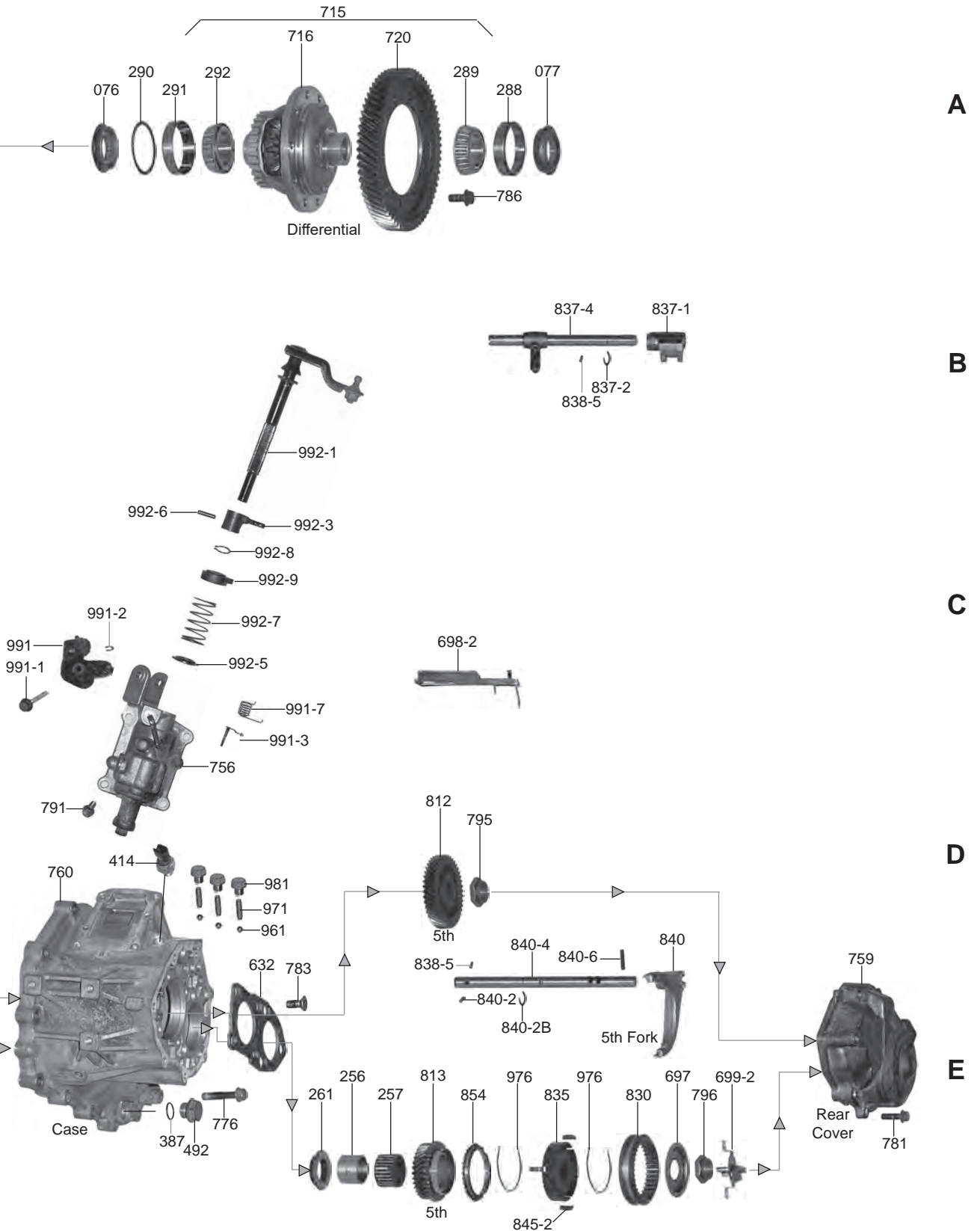
Foreign

# MR8 (Isuzu)

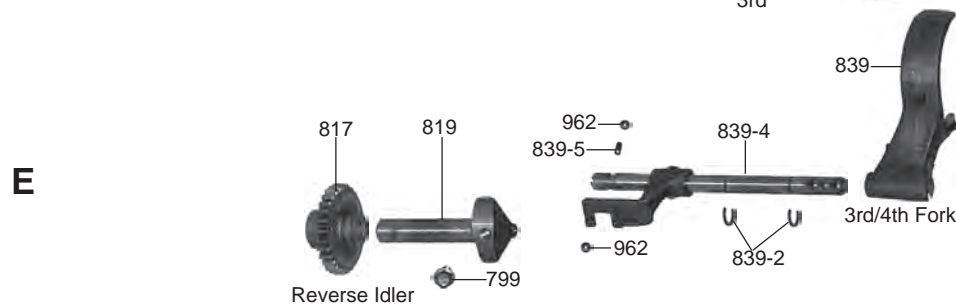
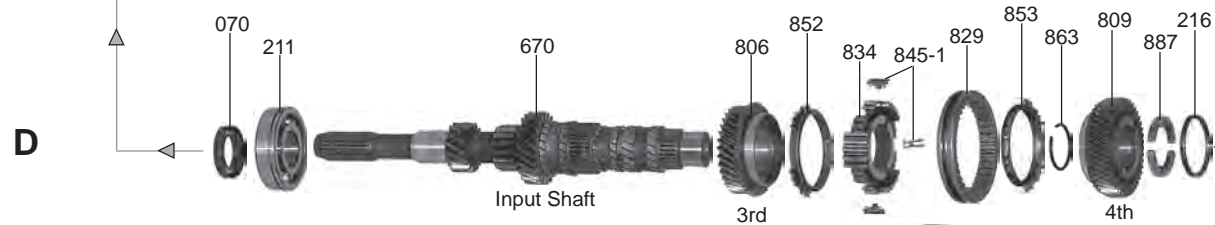
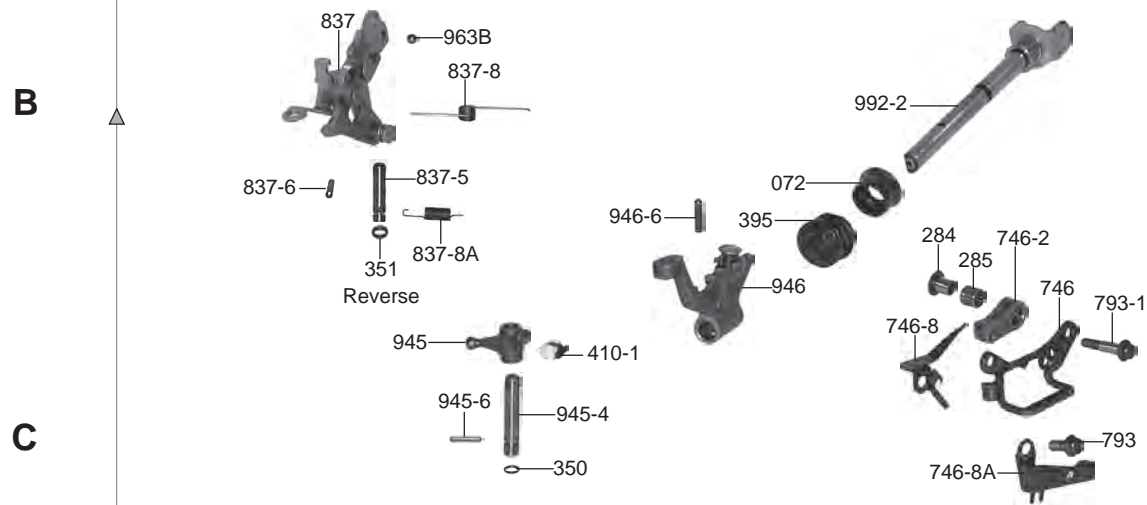
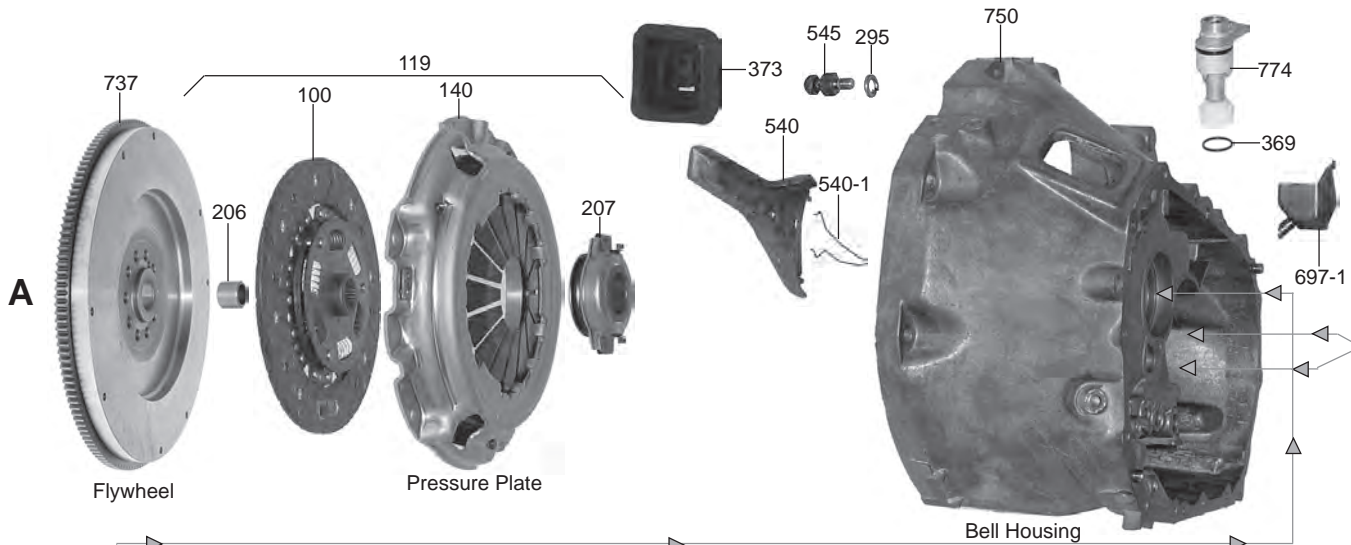
FWD 5 Speed  
M613 Series



Foreign

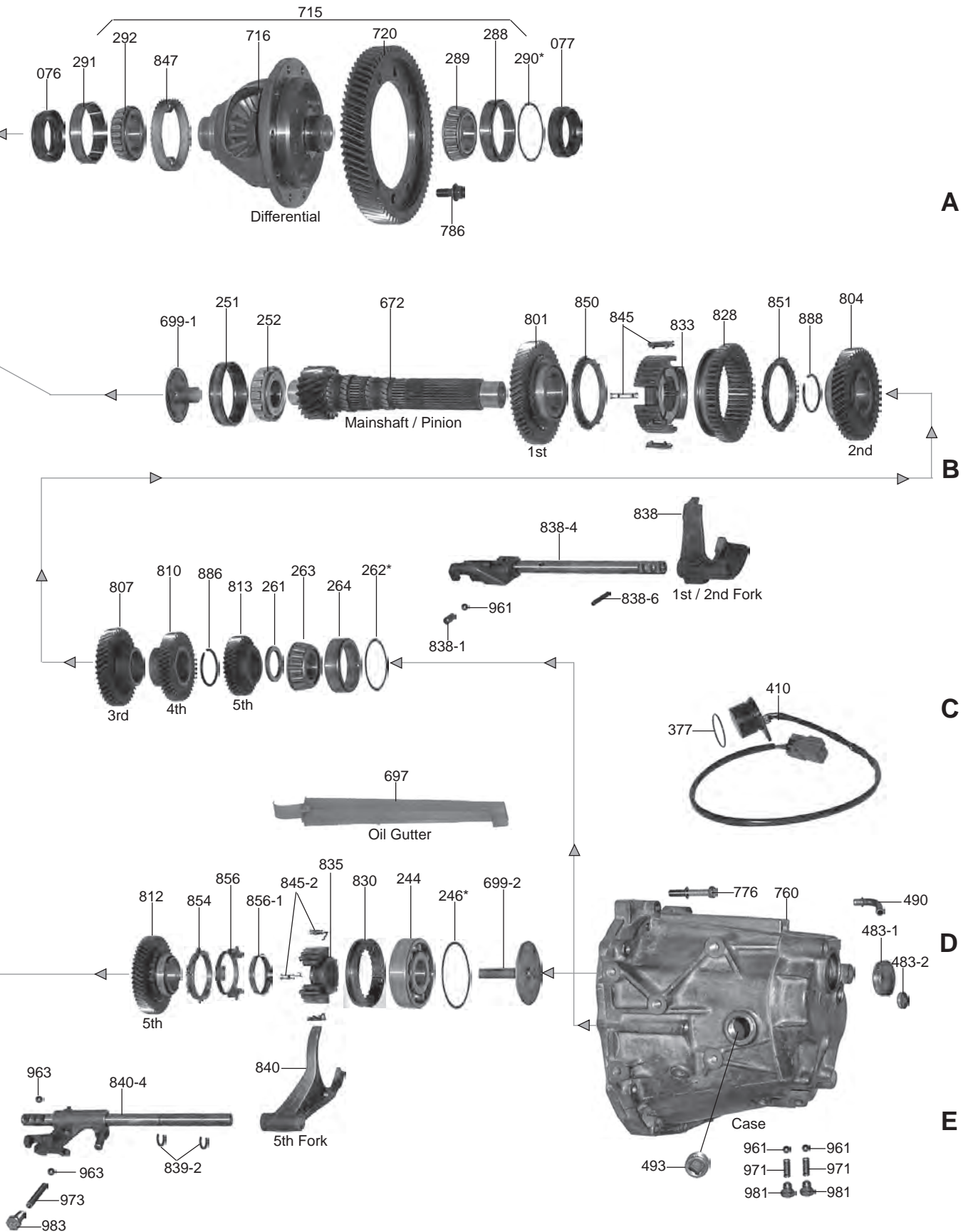


Foreign



Foreign





Foreign

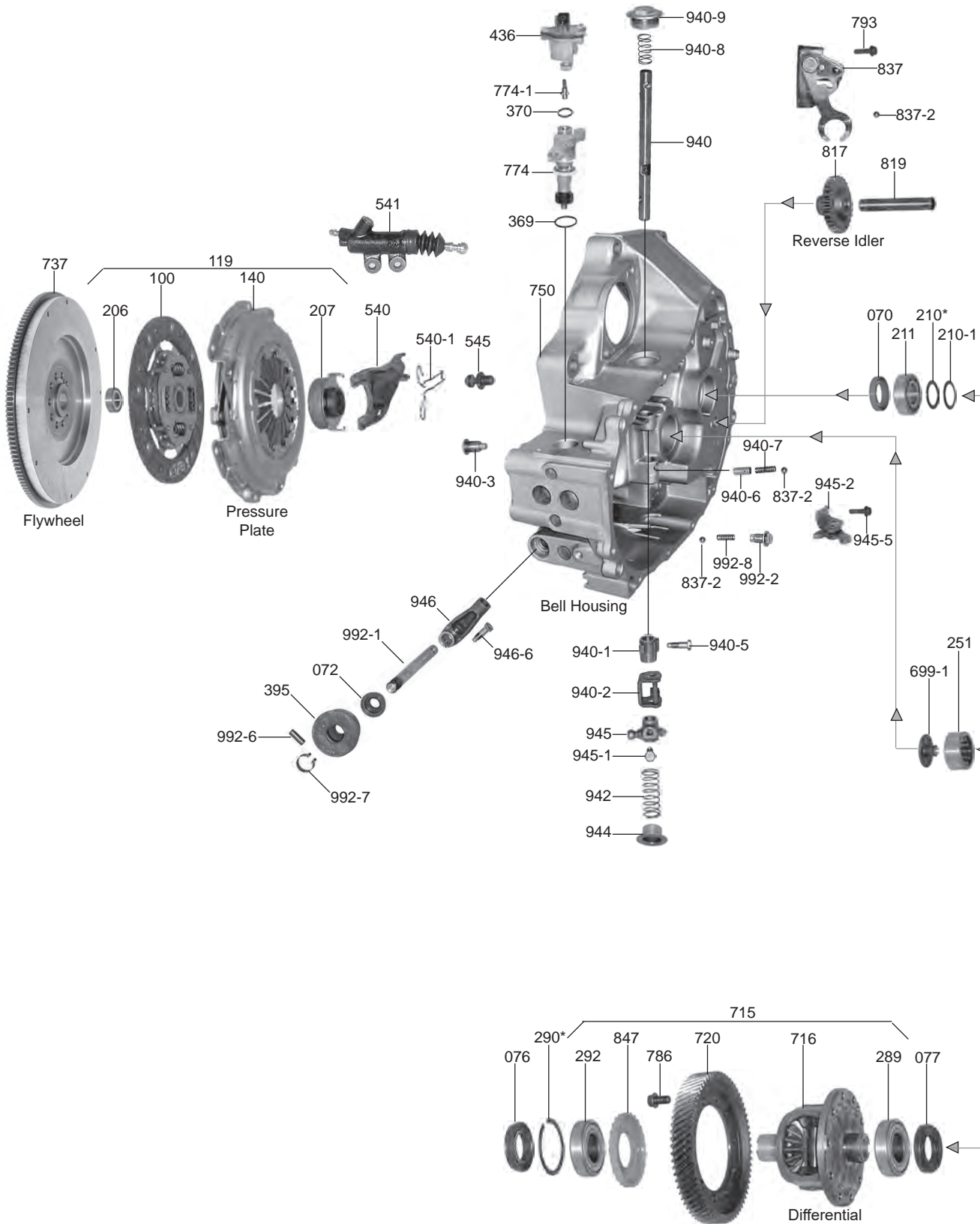
**A**

**B**

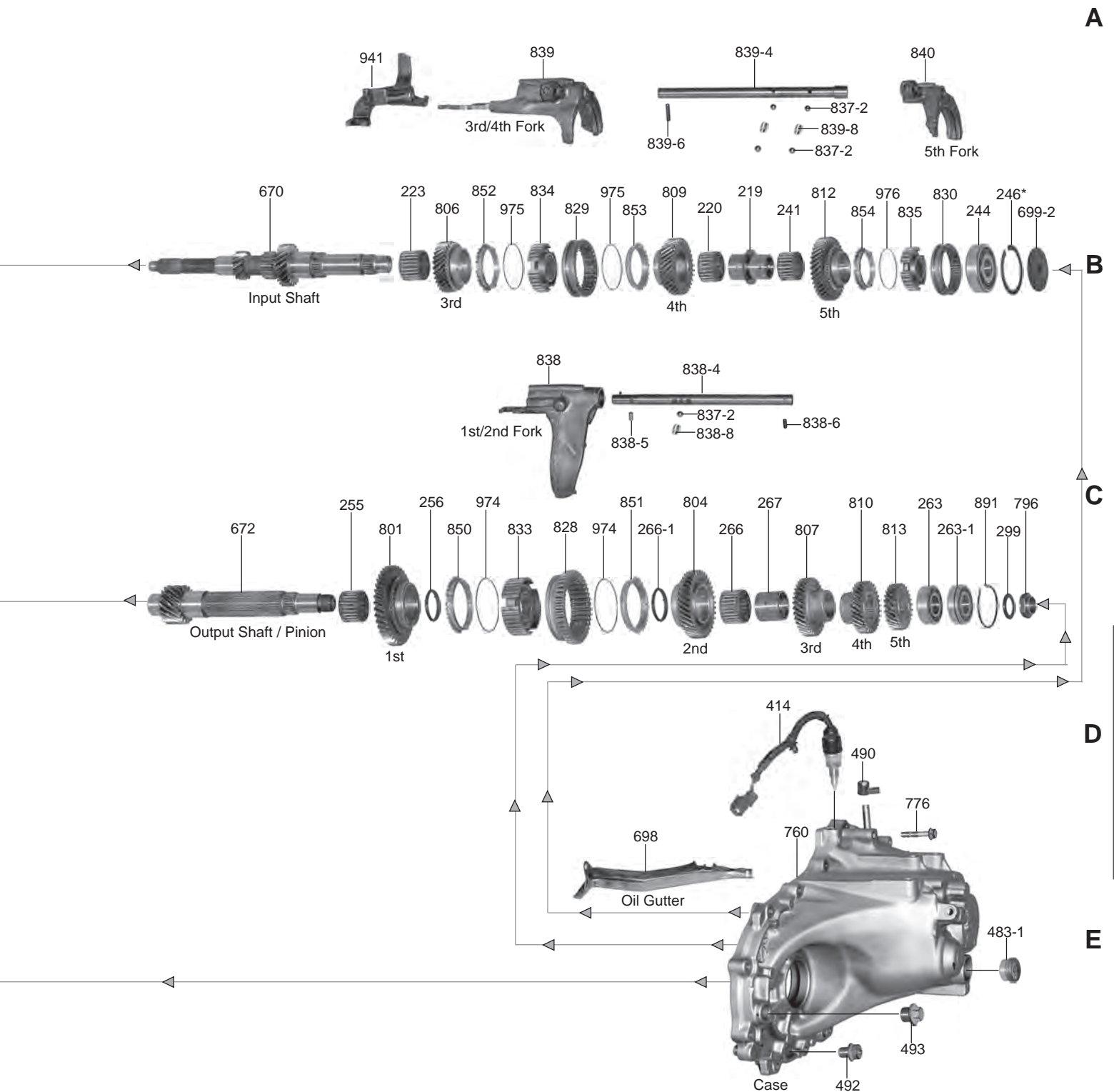
**C**

**D**

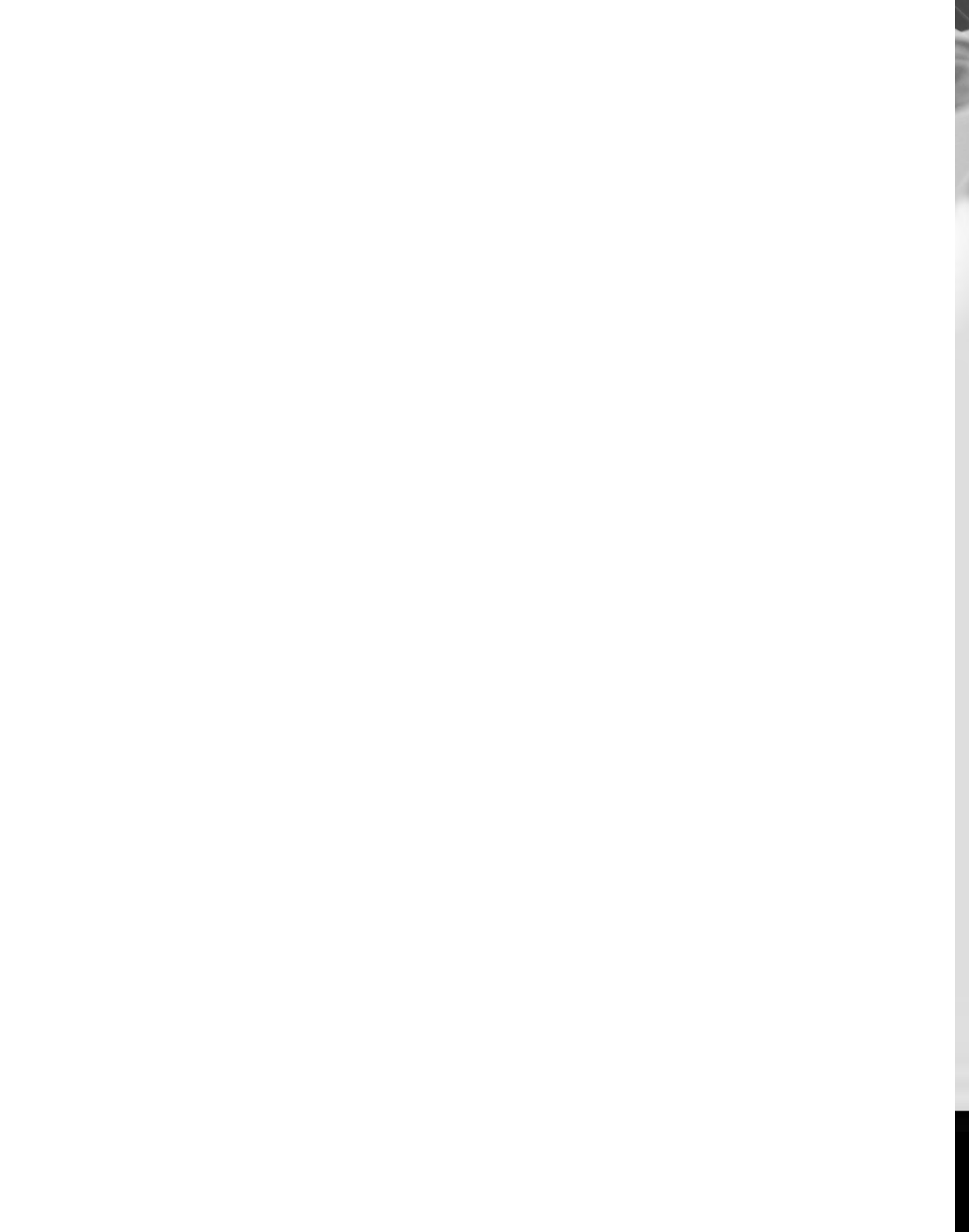
**E**



**Foreign**



Foreign







## QUICK TURNAROUND

You can choose from same day printing, next day printing, and 2-day to 10-day turnaround times, so you'll have your order exactly when you want it.

## HIGH QUALITY

Top quality print jobs, done right and right on time. We pride ourselves in delivering the expert printing you deserve at affordable prices.

## DESIGN SERVICES

Let our experienced graphic designers make your design dreams a reality. Whether you need a properly crafted logo, an engaging direct mail series or an eye-catching brochure, our designers will create something you'll be proud to put your name on.

# QUICK & EASY PRINTING SOLUTION

**BANNERS - CATALOGS - SIGNS -  
STICKERS - MAGAZINES - ENVELOPES -  
DIRECT MAIL - WEB & GRAPHIC DESIGN**

— LIKE US ON —  
**FACEBOOK**



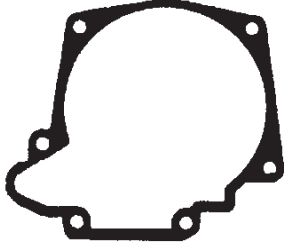
—  
@APSLouisville

**1-502-955-1341**

# Adapter Gaskets

Part # 76305

BW1345 / BW1356 / BW4404 / BW4405 /  
DANA TC-28



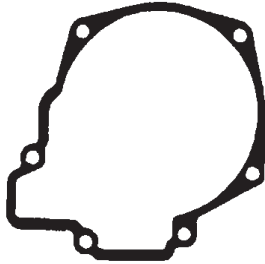
Part # 12305A

NP203 / NP205 / NP208 / NP241



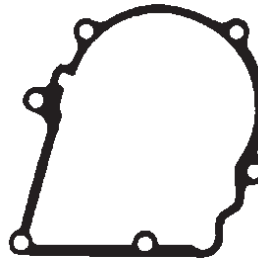
Part # 36305

BW1345 / BW1356 / BW4406 / BW4407 / NP203 /  
NP205 / NP208



Part # 26305

NP203 / NP208 / BW1345



Part # 12305AF

NP205 / NP241



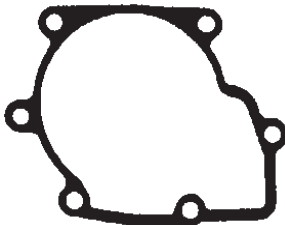
Part # 36305E

BW1345 / BW1356 / BW4407



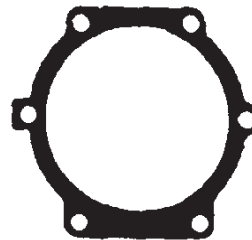
Part # 56305

BW1345 / BW1350 / BW1352 / BW1354 / BW4404 /  
BW4405 / Dana TC-28



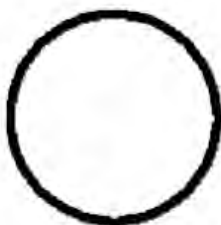
Part # 34305

NP203 / NP205 / NP208 / BW1370 / BW4470



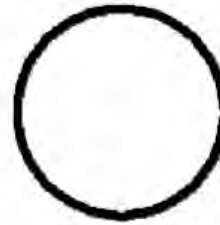
Part # 34348

BW1370 / BW4401 / BW4470 / NP205 / NP208

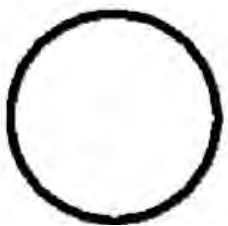
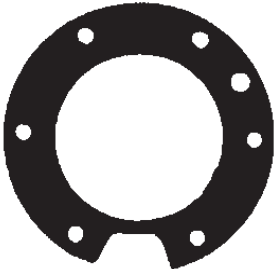


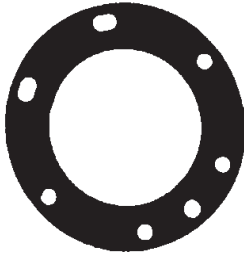




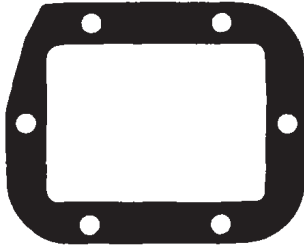


Part # 74348A (6 BOLT)

BW4472



# Adapter Gaskets

<p>Part # 44348 (4 BOLT)          NP203 / NP205 / NP207 / NP208 / NP231C / BW1370          / BW4401 / BW4470 / BW4472</p> 	<p>Part # M301317B          NP203 / NP205 / NP208 / NP241</p> 
<p>Part # M302317A          NP205</p> 	<p>Part # M301317A          NP203</p> 
<p>Part # M304317A          BW1345 / BW1350 / BW1354 / BW1356 / BW4406 /          BW4407 / NP208</p> 	<p>Part # M308317          NP207 / NP231C / NP233C / BW4472</p> 
<p>Part # M353317A          BW1345 / BW1350 / BW1352 / BW1354 / BW4404 /          BW4405 / DANA TC-28</p> 	<p>Part # M304317B          BW1370 / BW4401 / BW4470 / NP205 / NP208 /          NP231</p> 
<p>Part # 12305J          NP242 (Output Bearing INspection Cover)</p> 	<p>Part # M581319          NP203 / NP205 (PTO Cover)</p> 

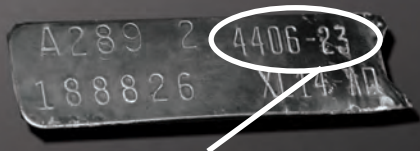
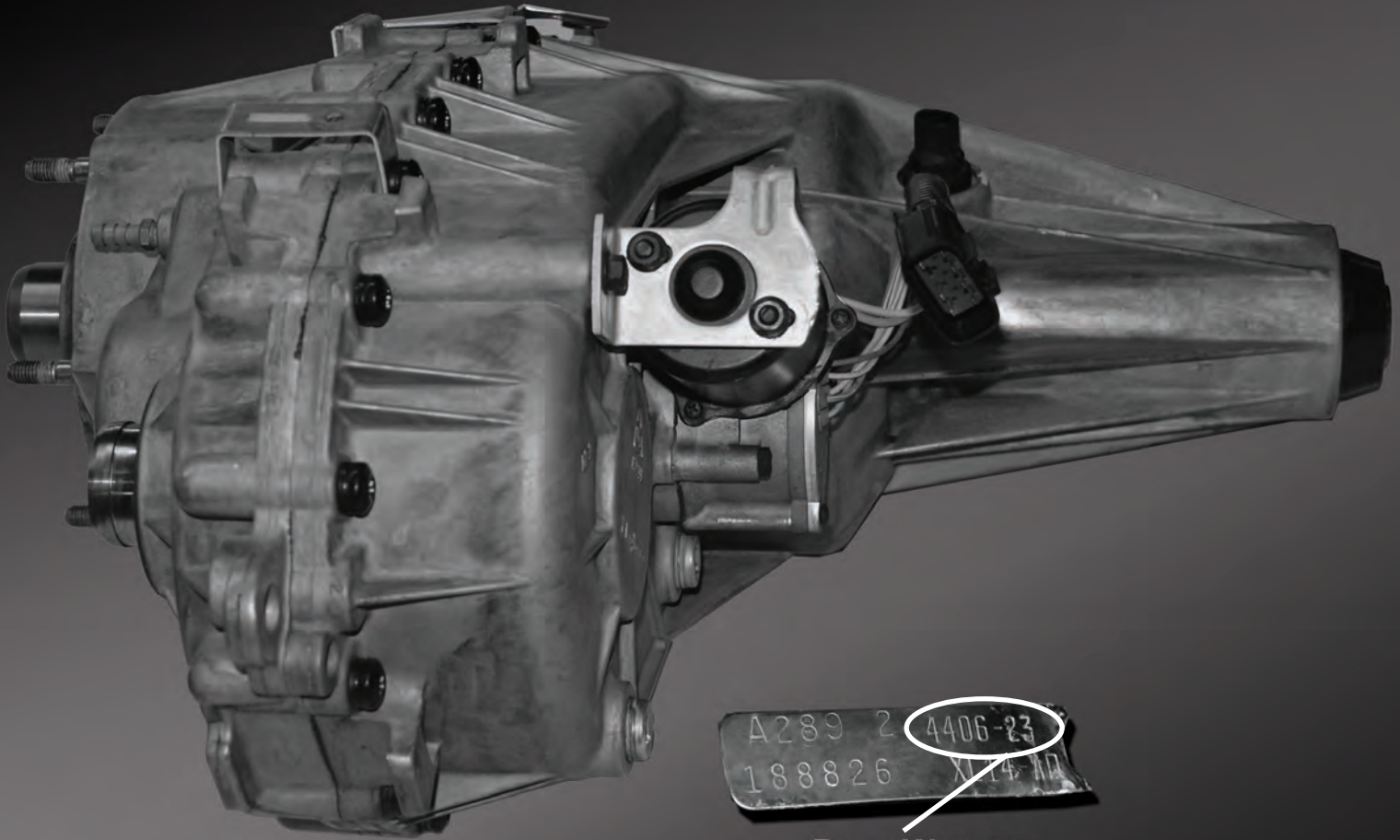
---

---



# Transfer Case Section

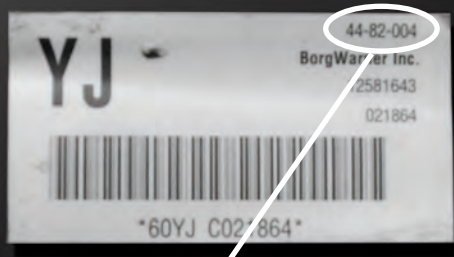
To Identify Your Transfer Case, Look For The Tag On The Outside Of The Unit.  
For Borg Warner And New Process Units, The Tags Should Look Like One Of These.



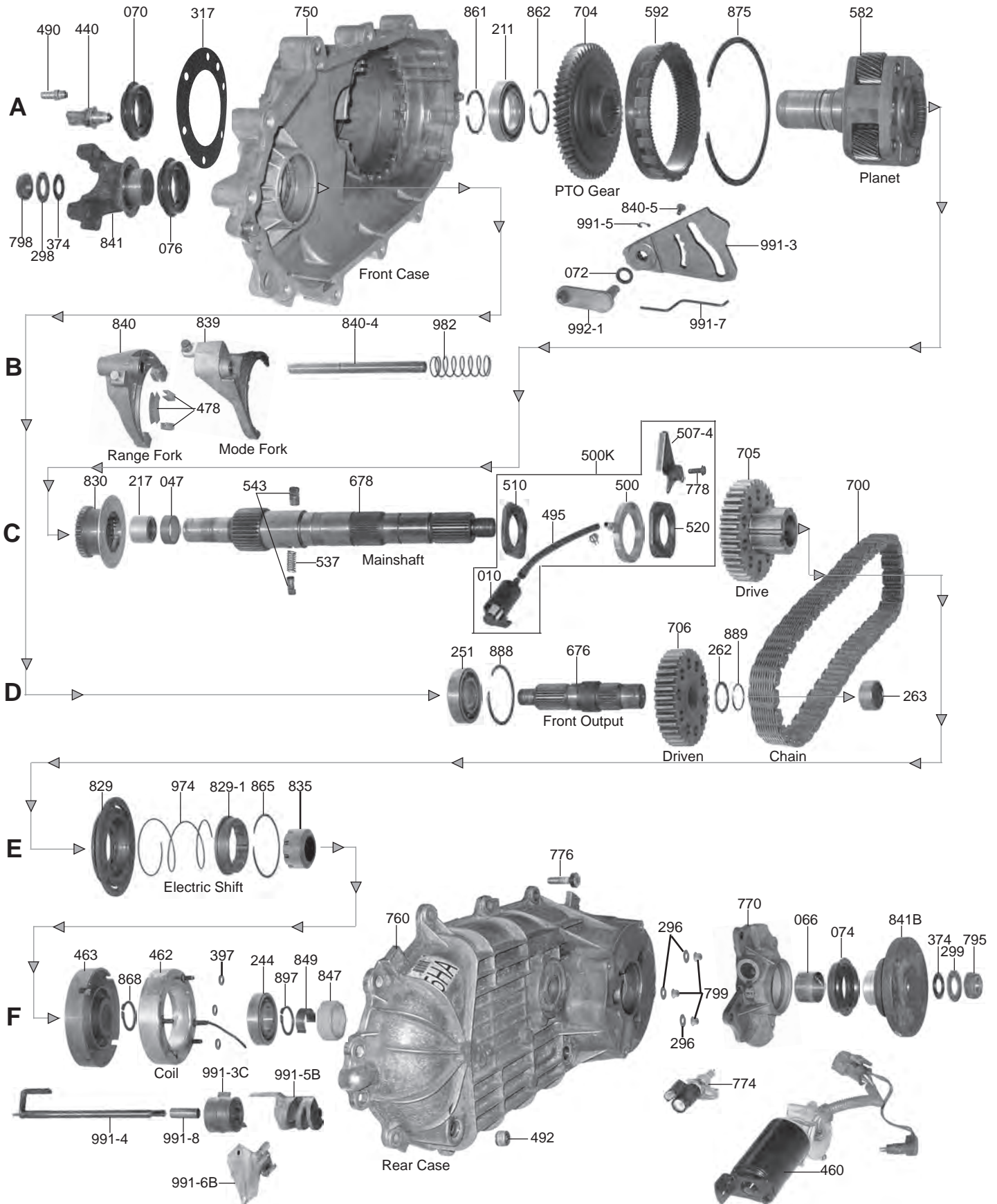
**Borg Warner  
(Metal ID Tag)**



**New Process  
(Metal ID Tag)**



**Borg Warner  
(Paper ID Sticker)**

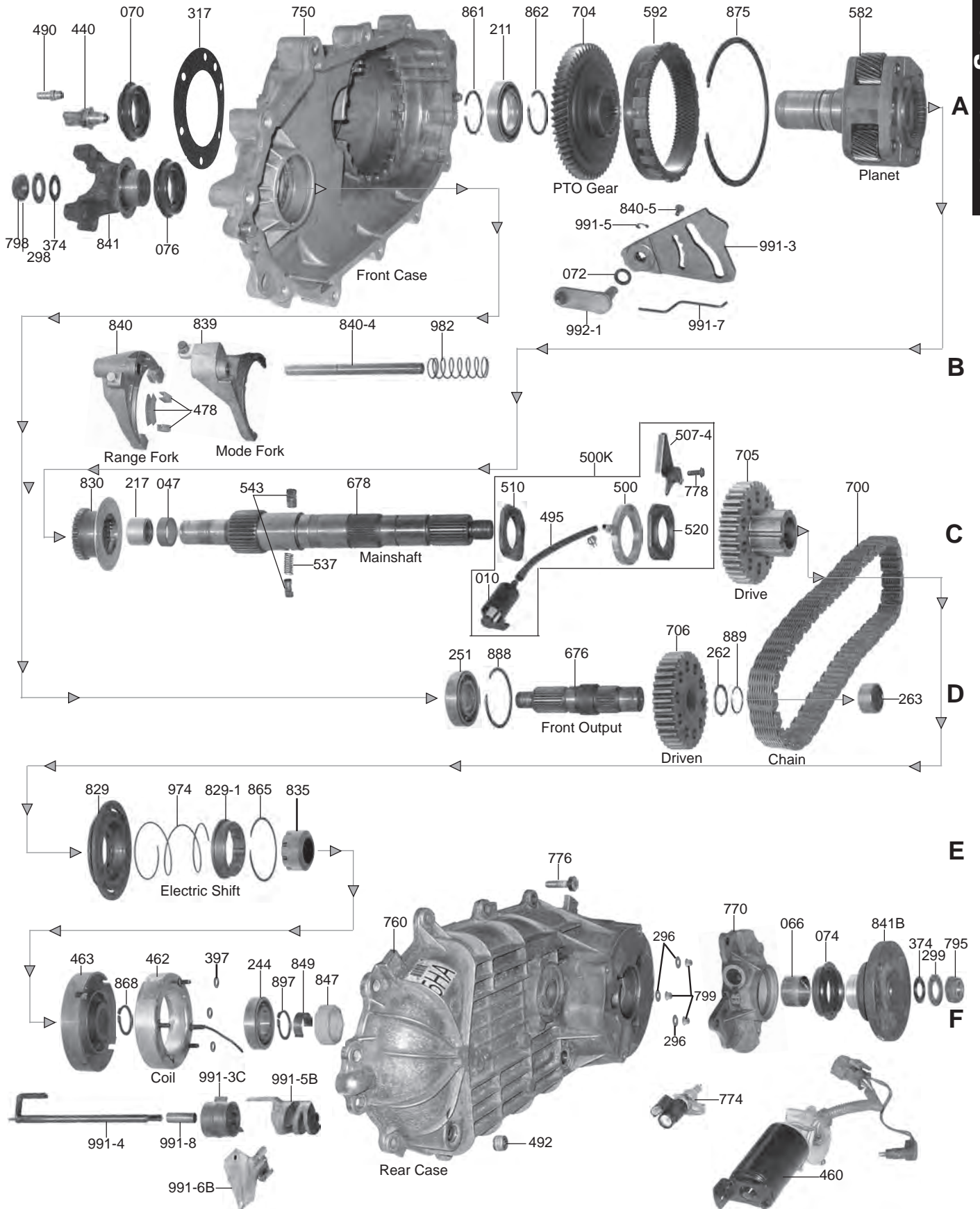


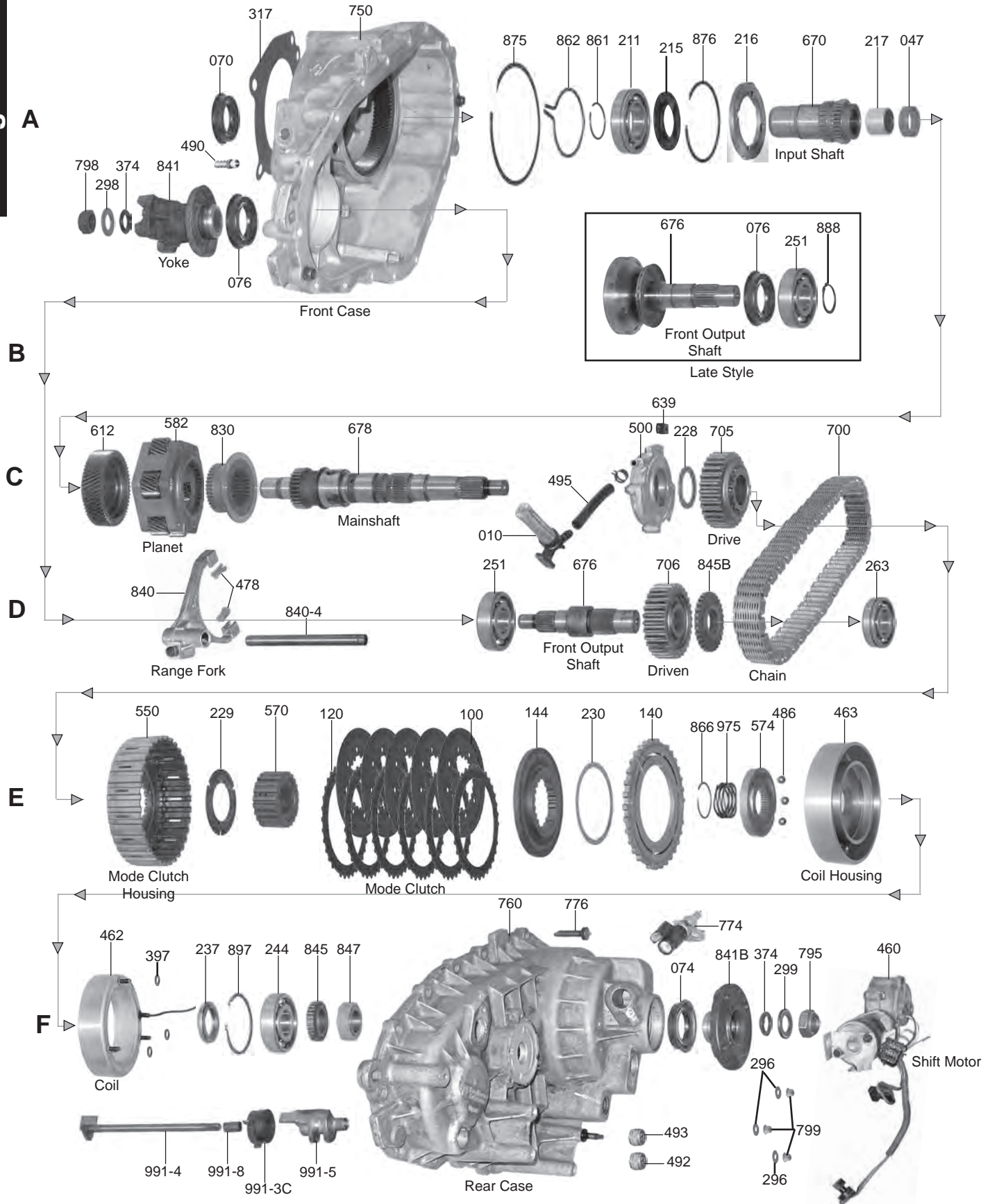


**Transfer Case (Part-Time)  
M359 Series**

**BW1370**

**Borg Warner**



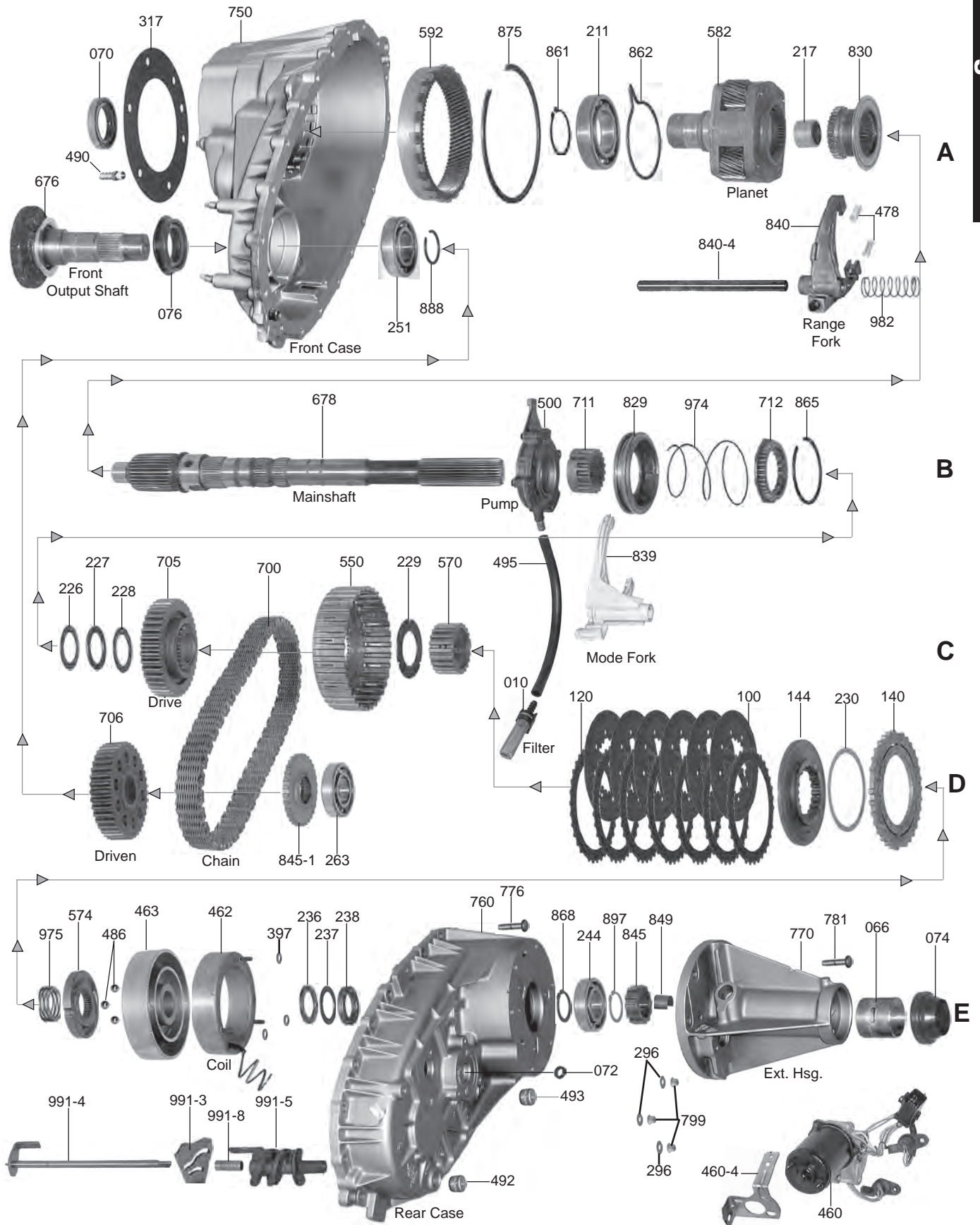




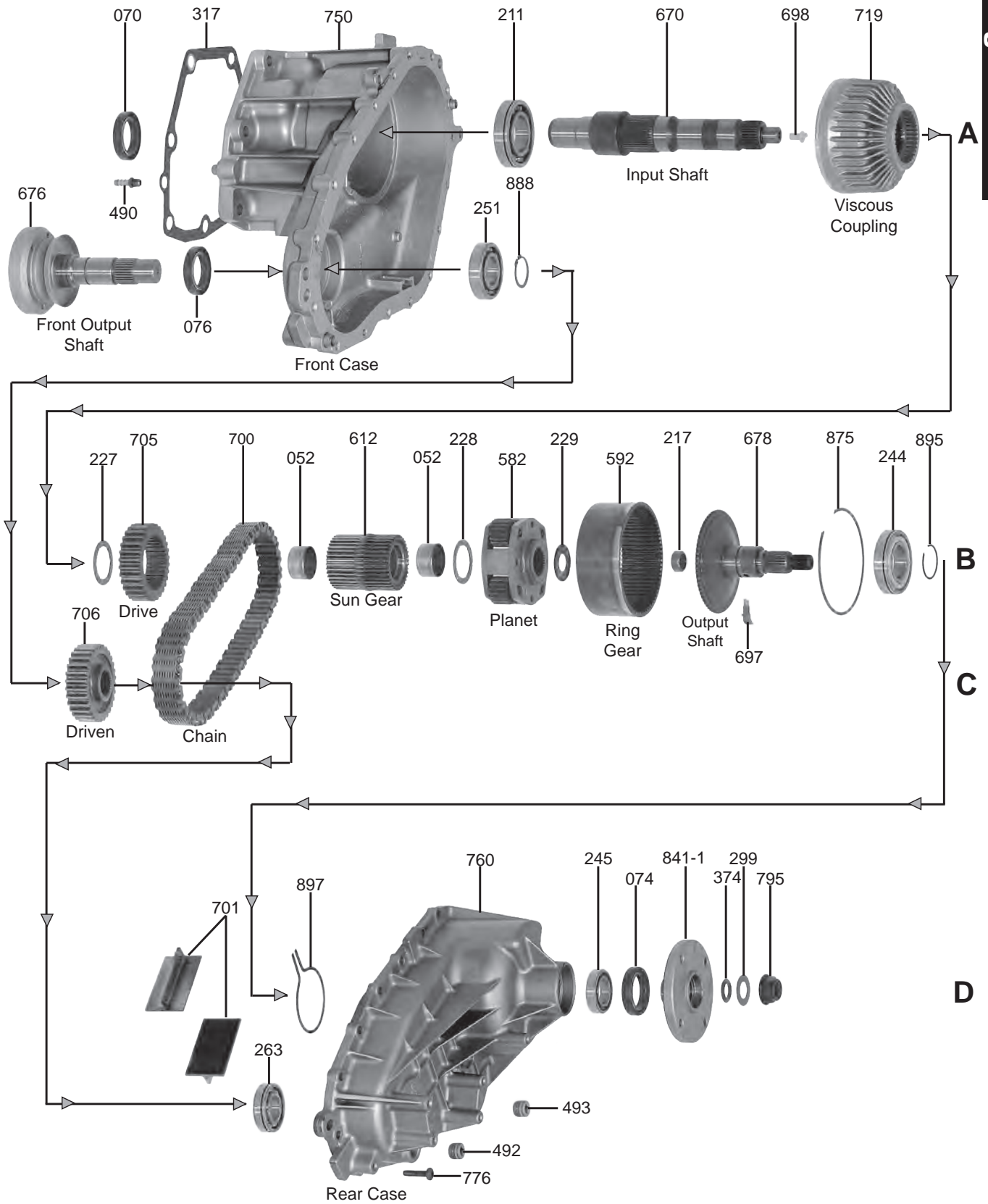
**Transfer Case (Part-Time)  
M369 Series**

**BW4406  
(TOD)(Electric Shift)**

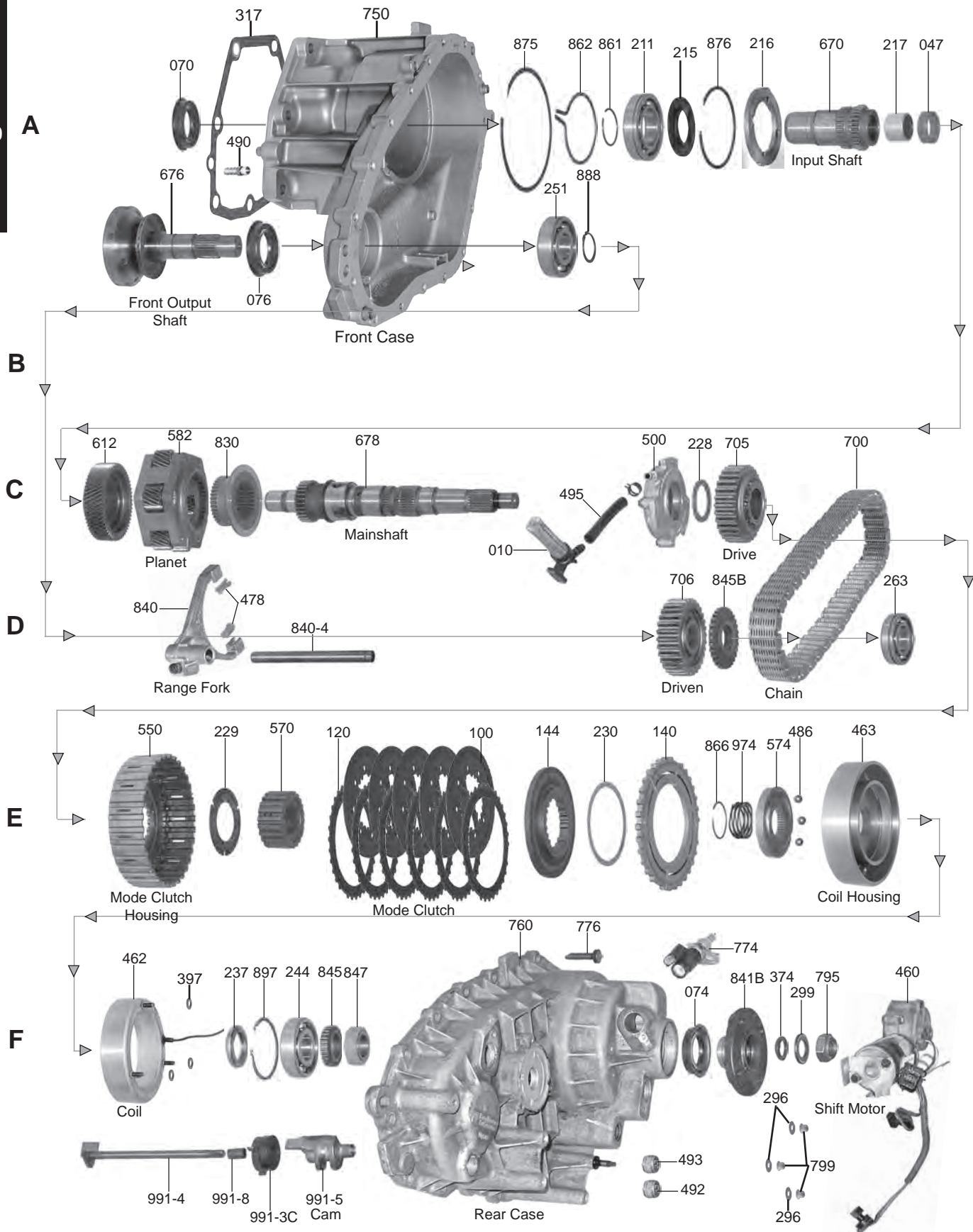
**Borg Warner**









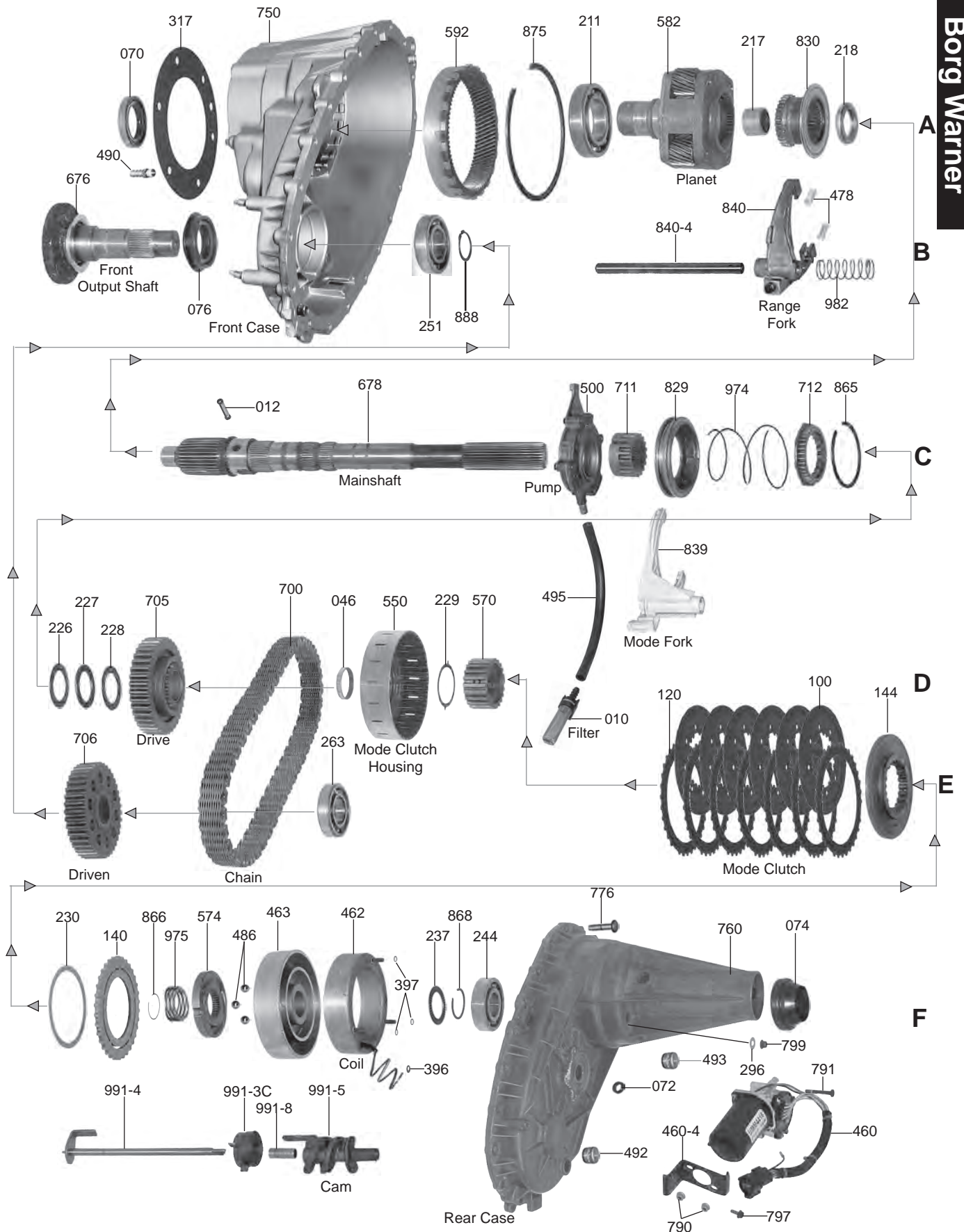




**Transfer Case (With Torque On Demand)  
M374 Series**

**BW4416**

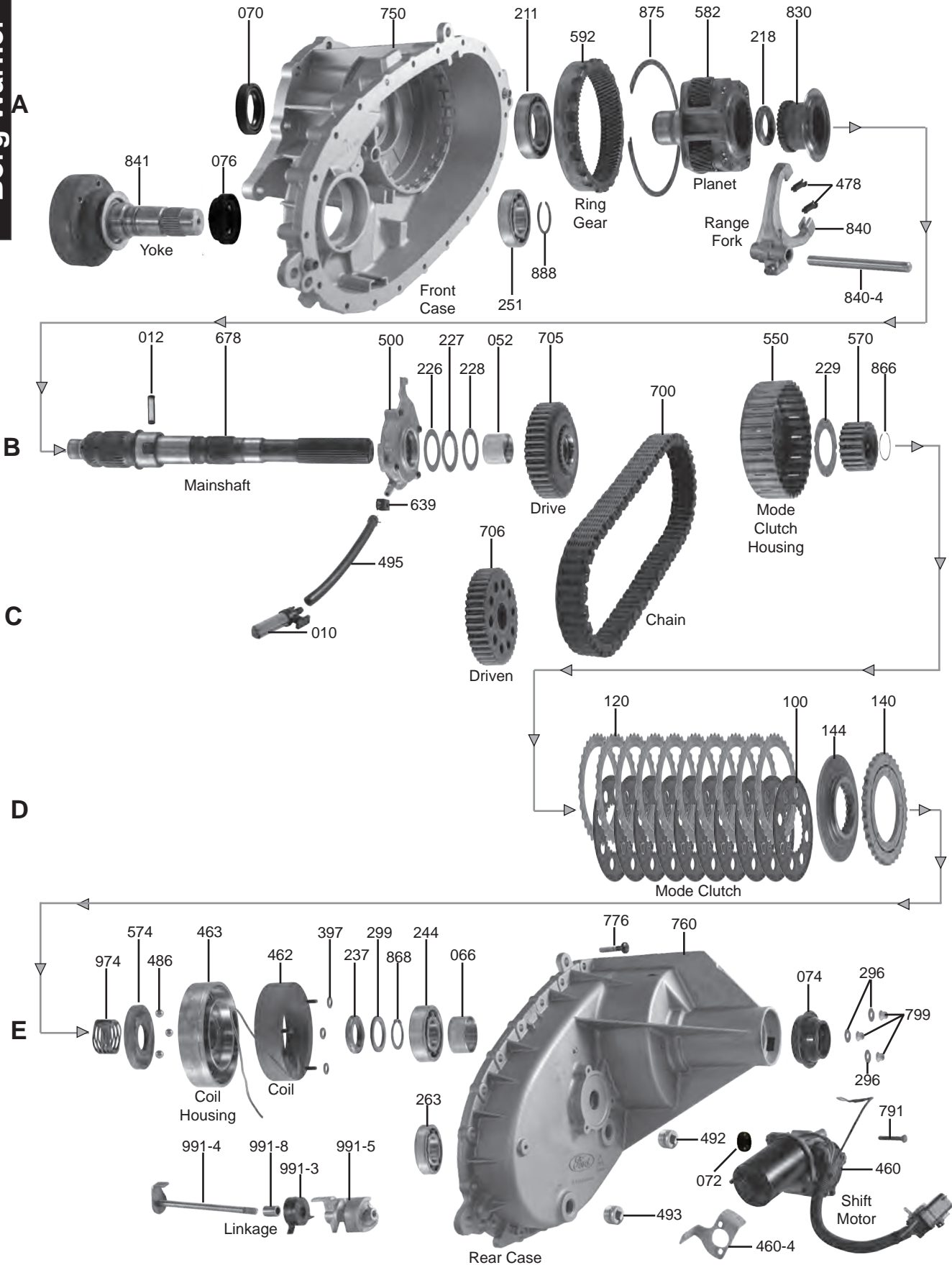
**Borg Warner**



# BW4417

## Transfer Case (Part-Time) M225 Series

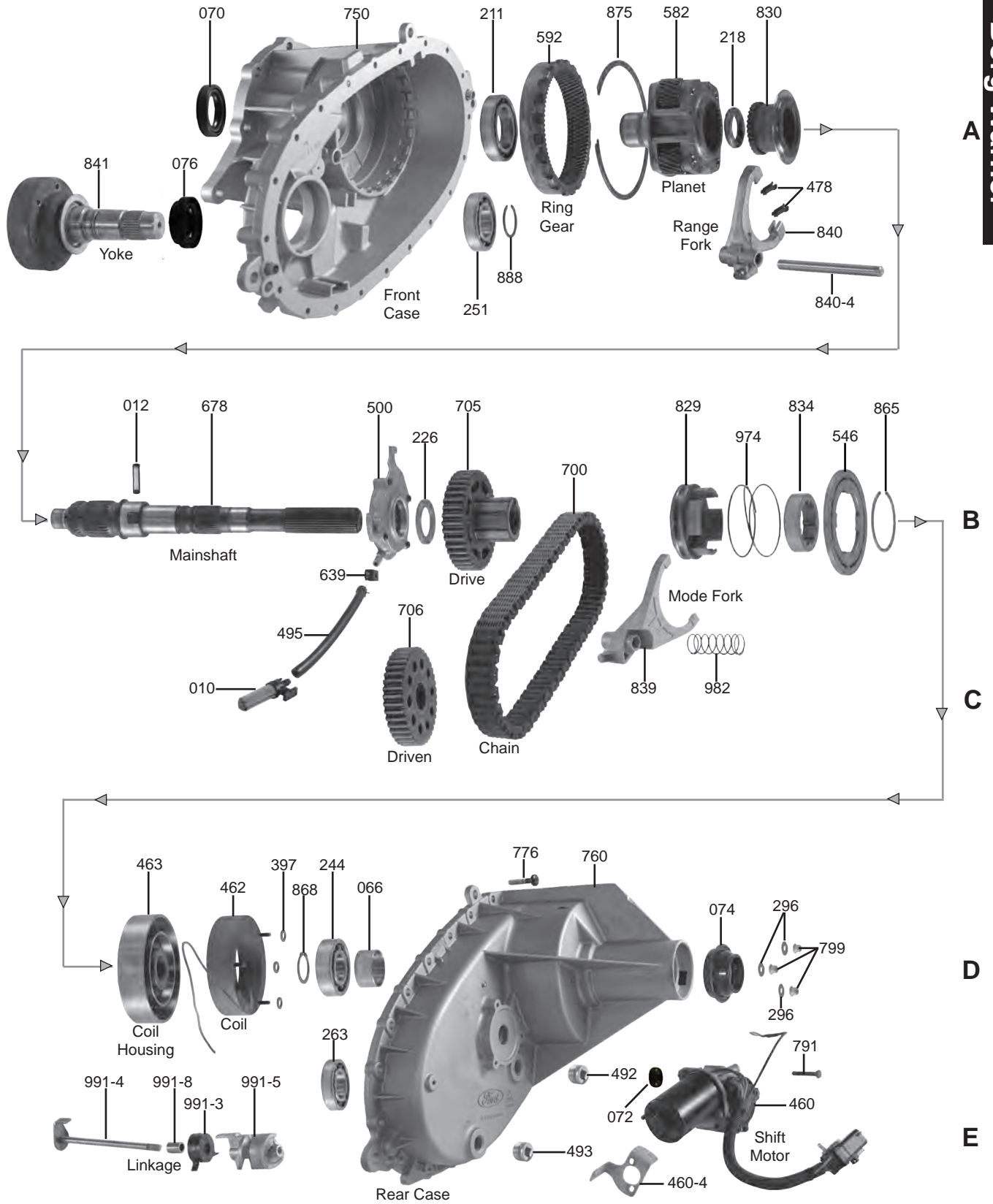
Borg Warner



**Transfer Case (Part Time)  
M227 Series**

**BW4419**

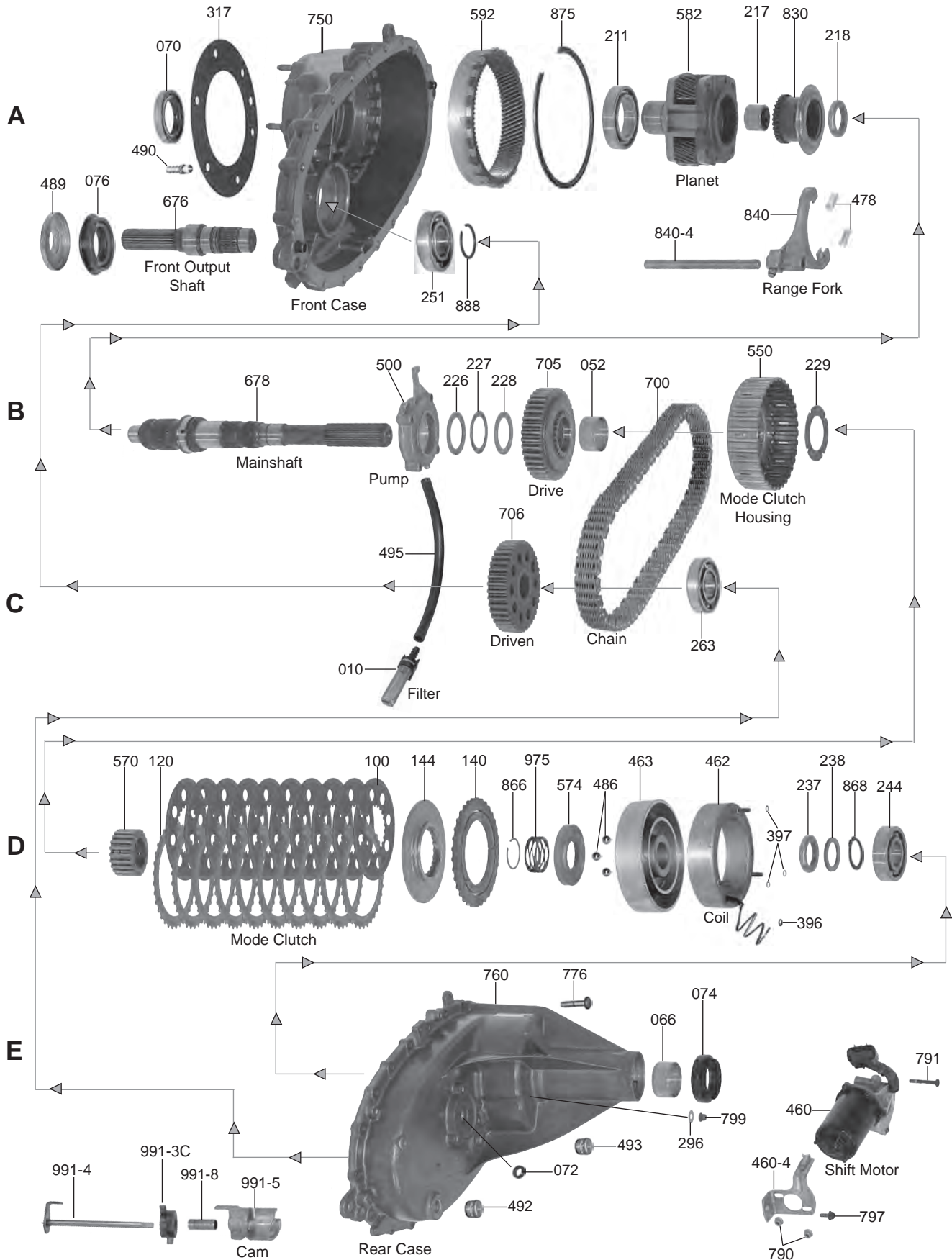
**Borg Warner**



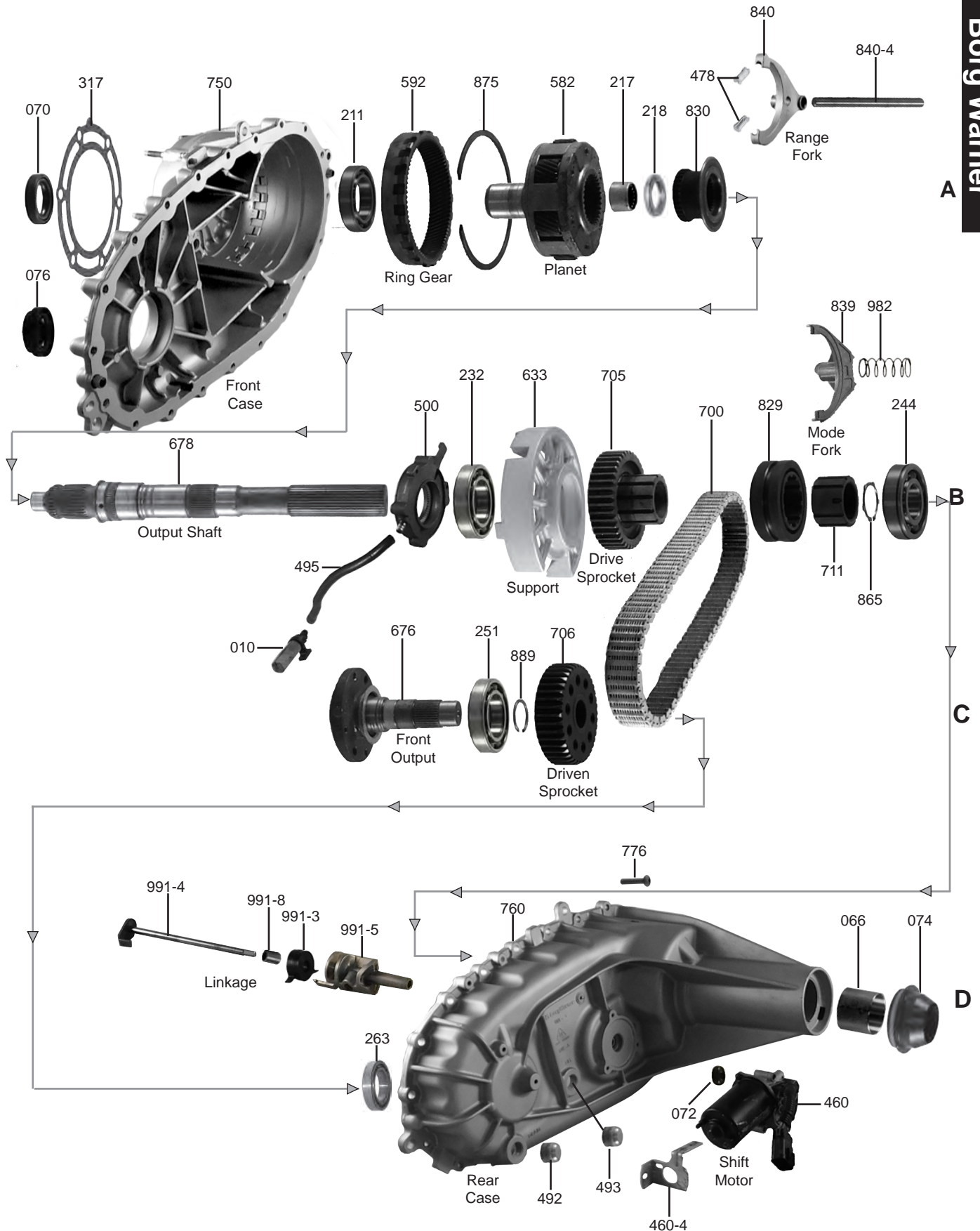
# BW4444

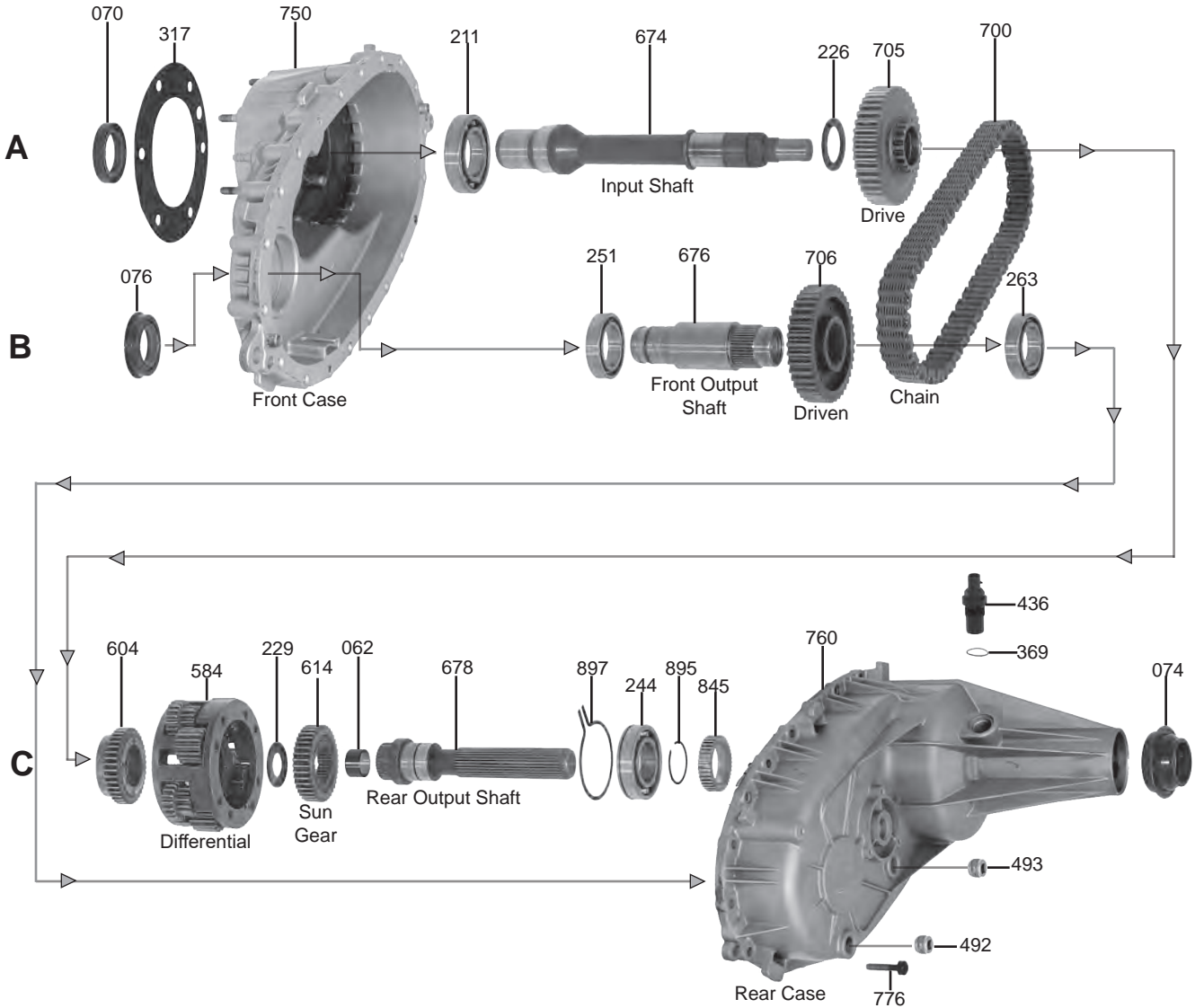
## Transfer Case (Part-Time) M230 Series

Borg Warner





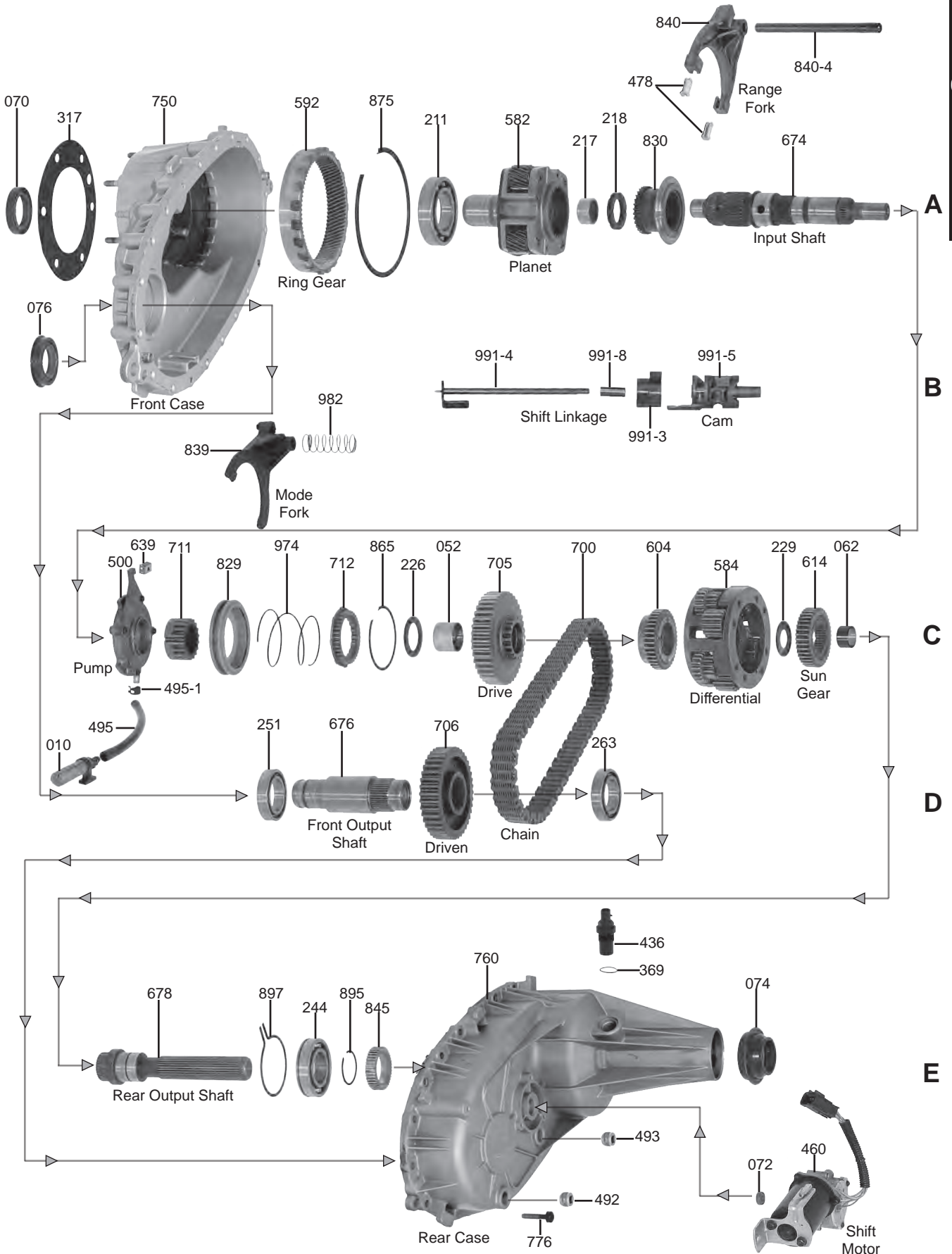


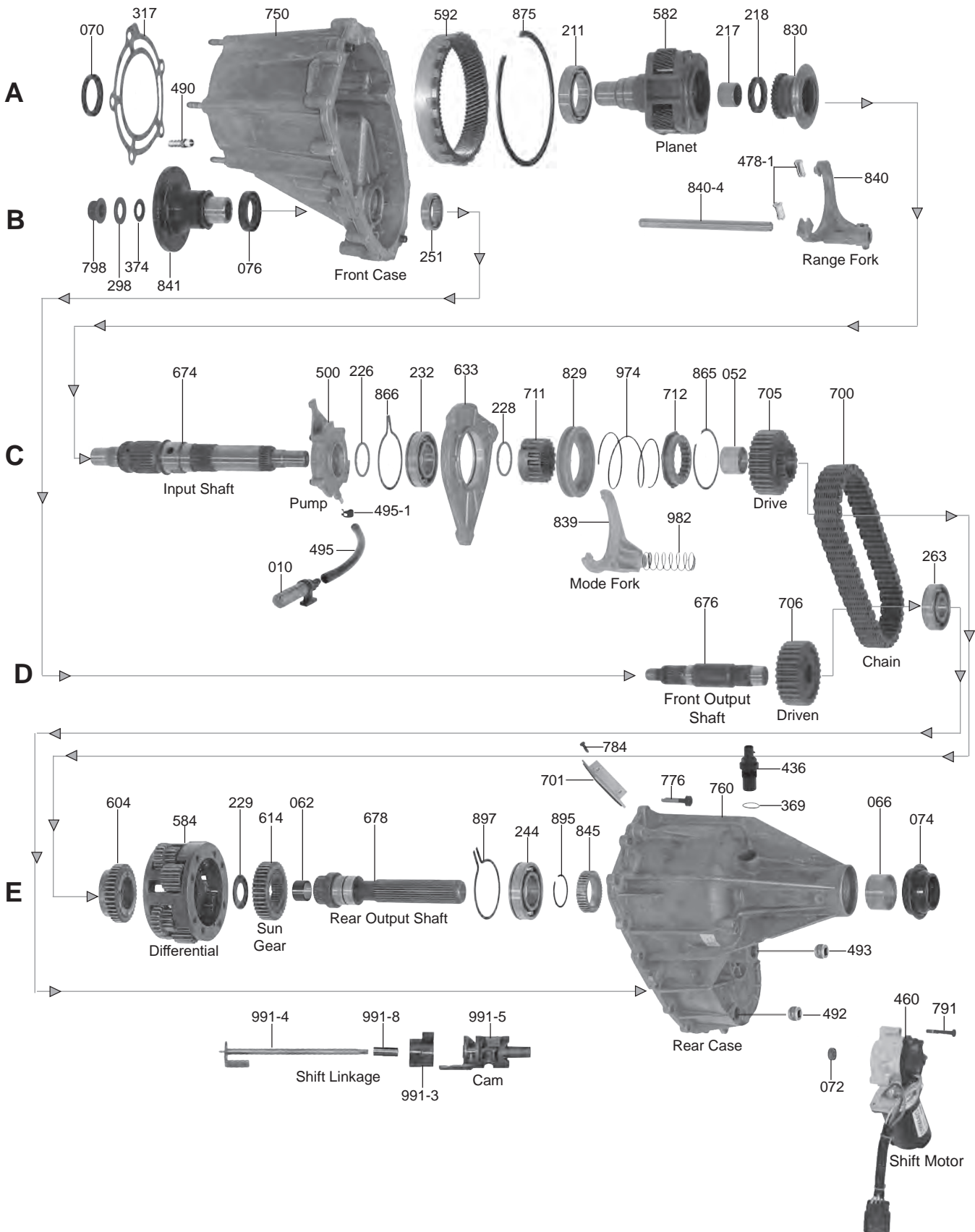


**Transfer Case (Full-Time)  
M379 Series**

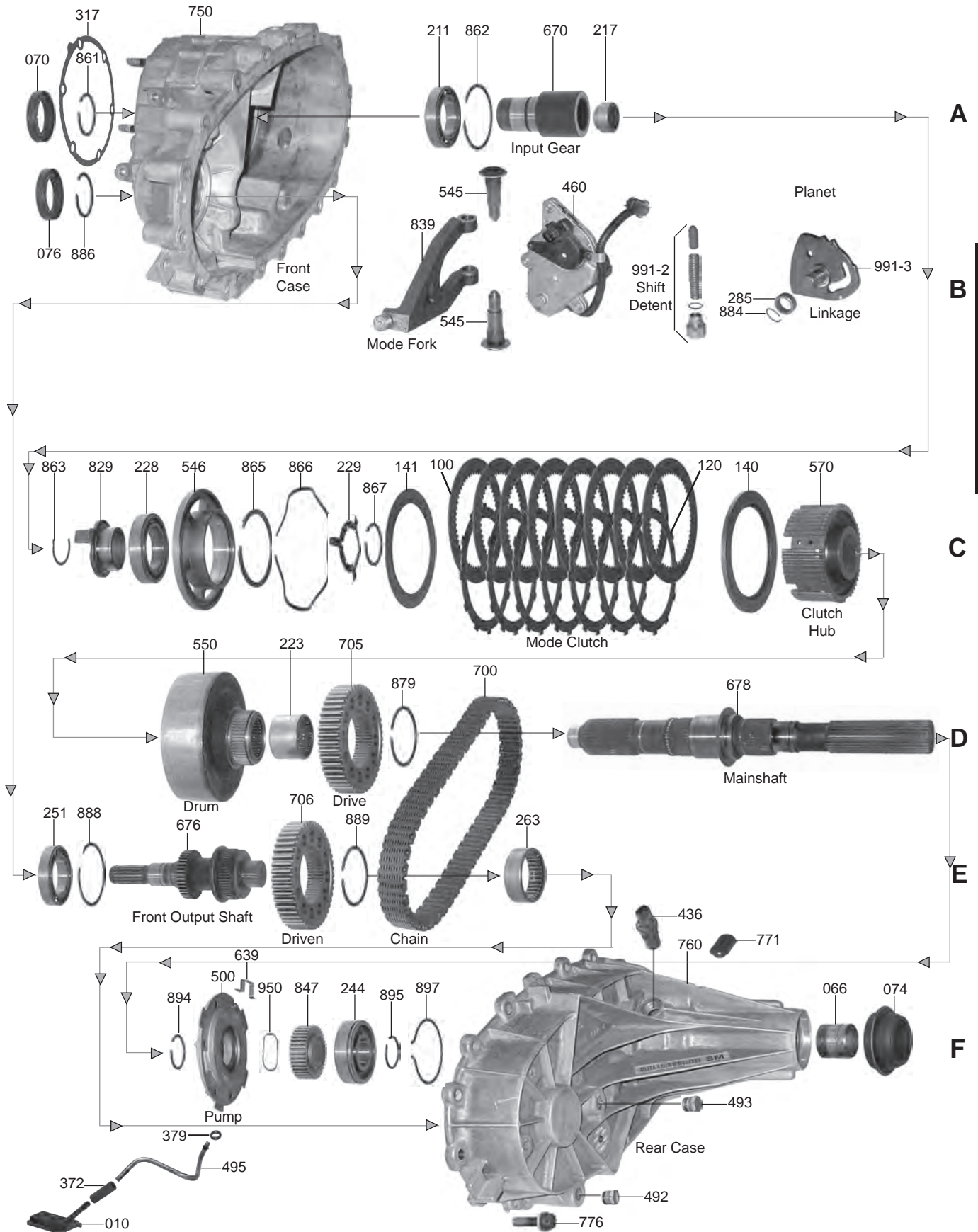
**BW4482**

**Borg Warner**



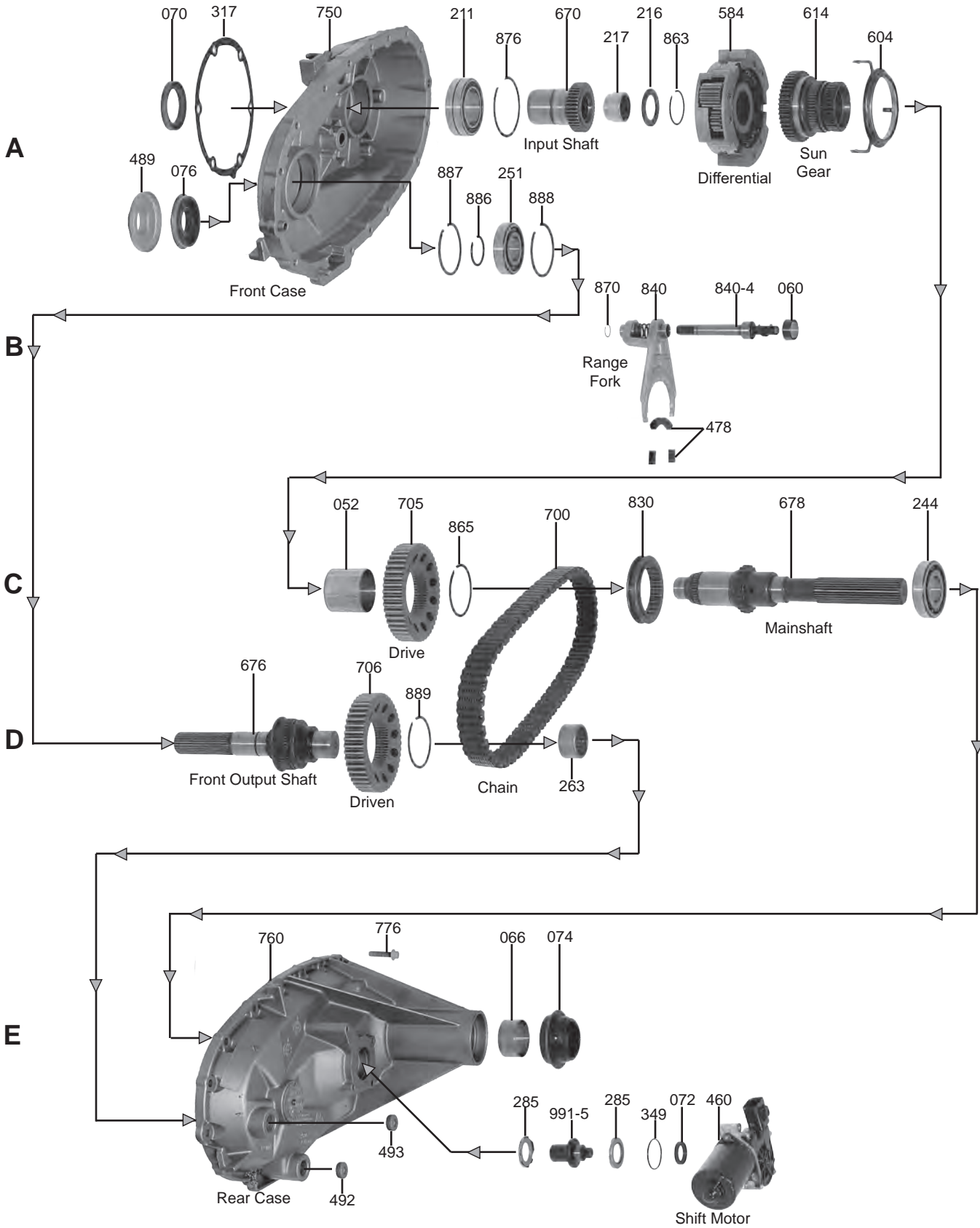


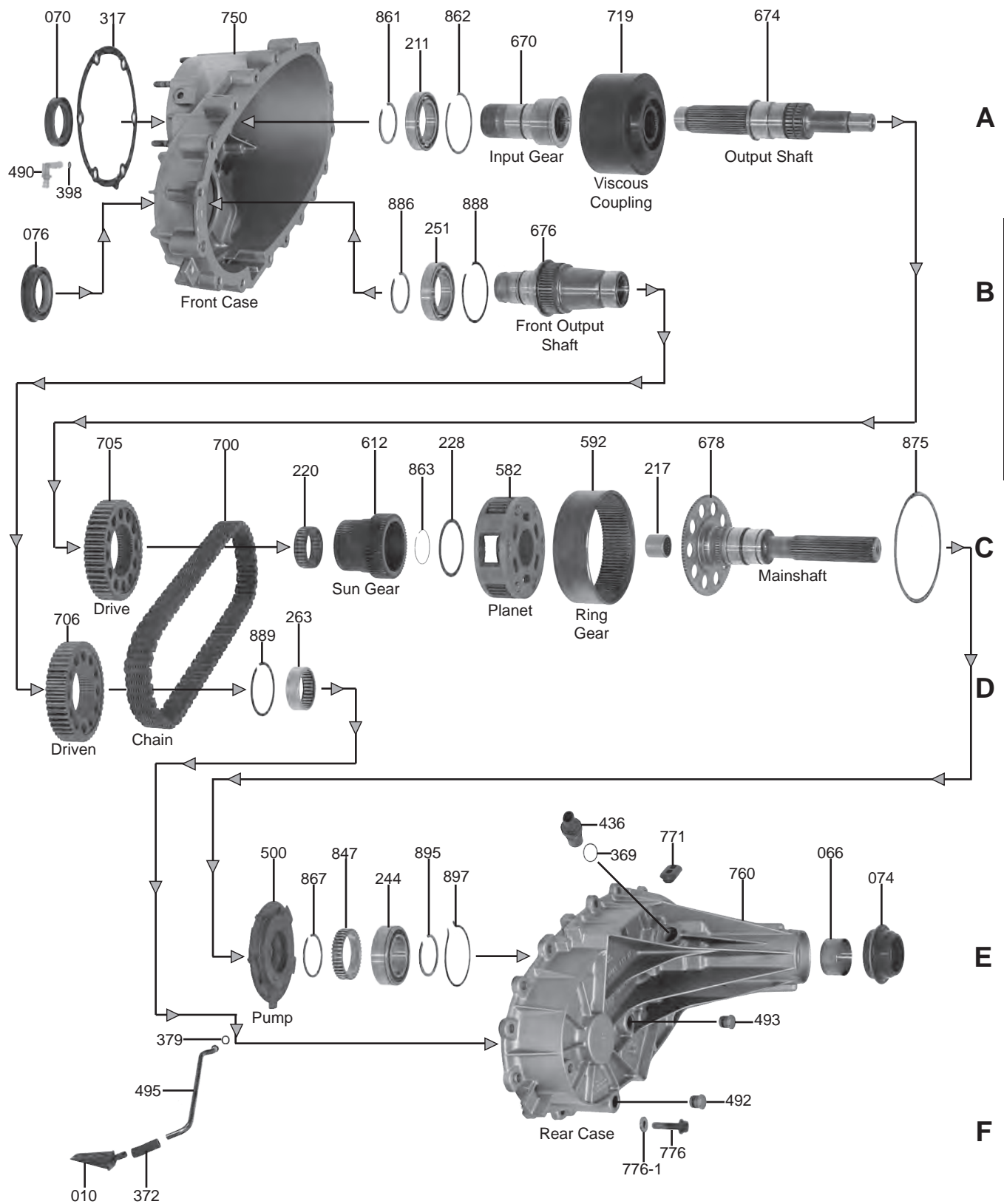




**New Process**

New Process





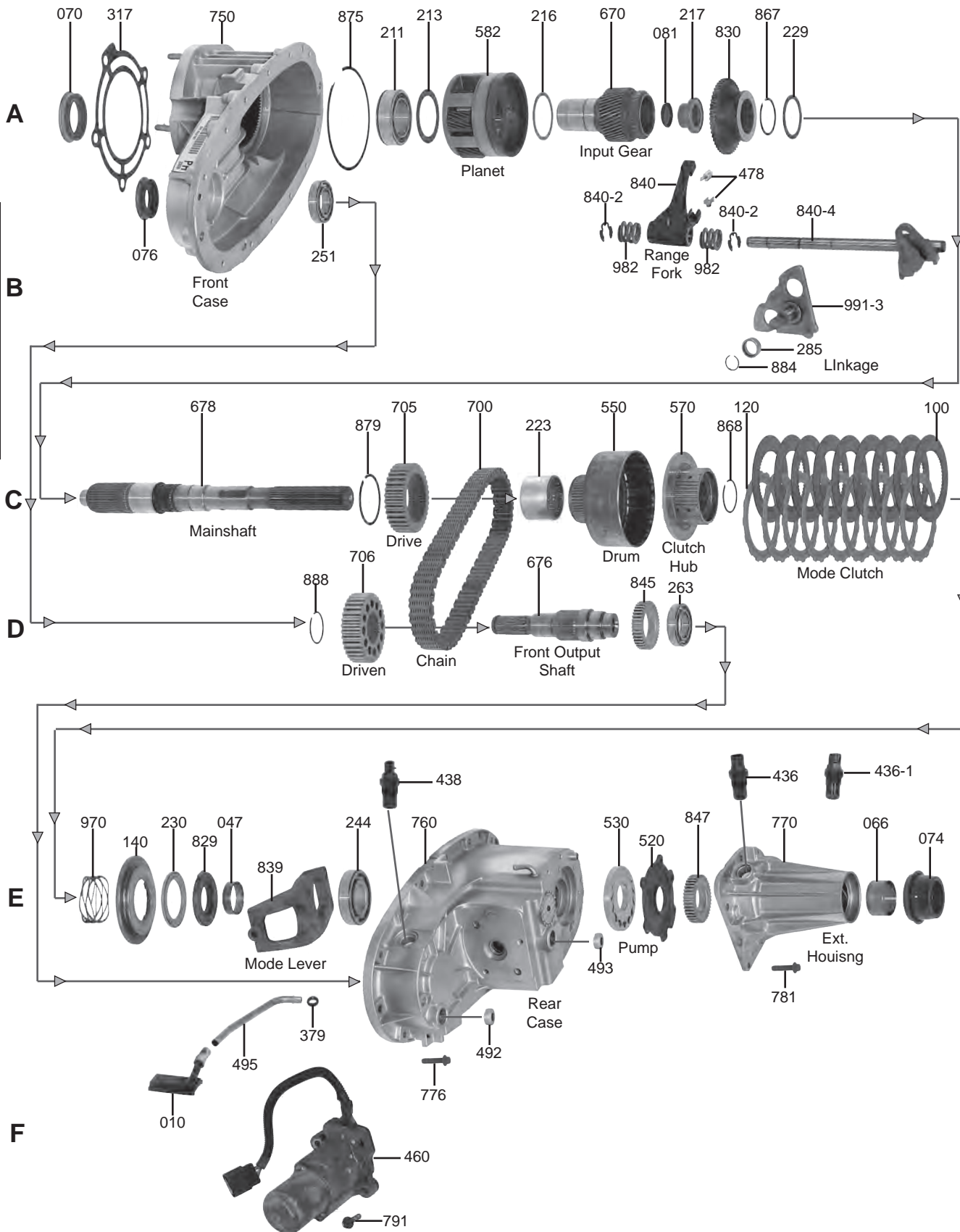
**New Process**

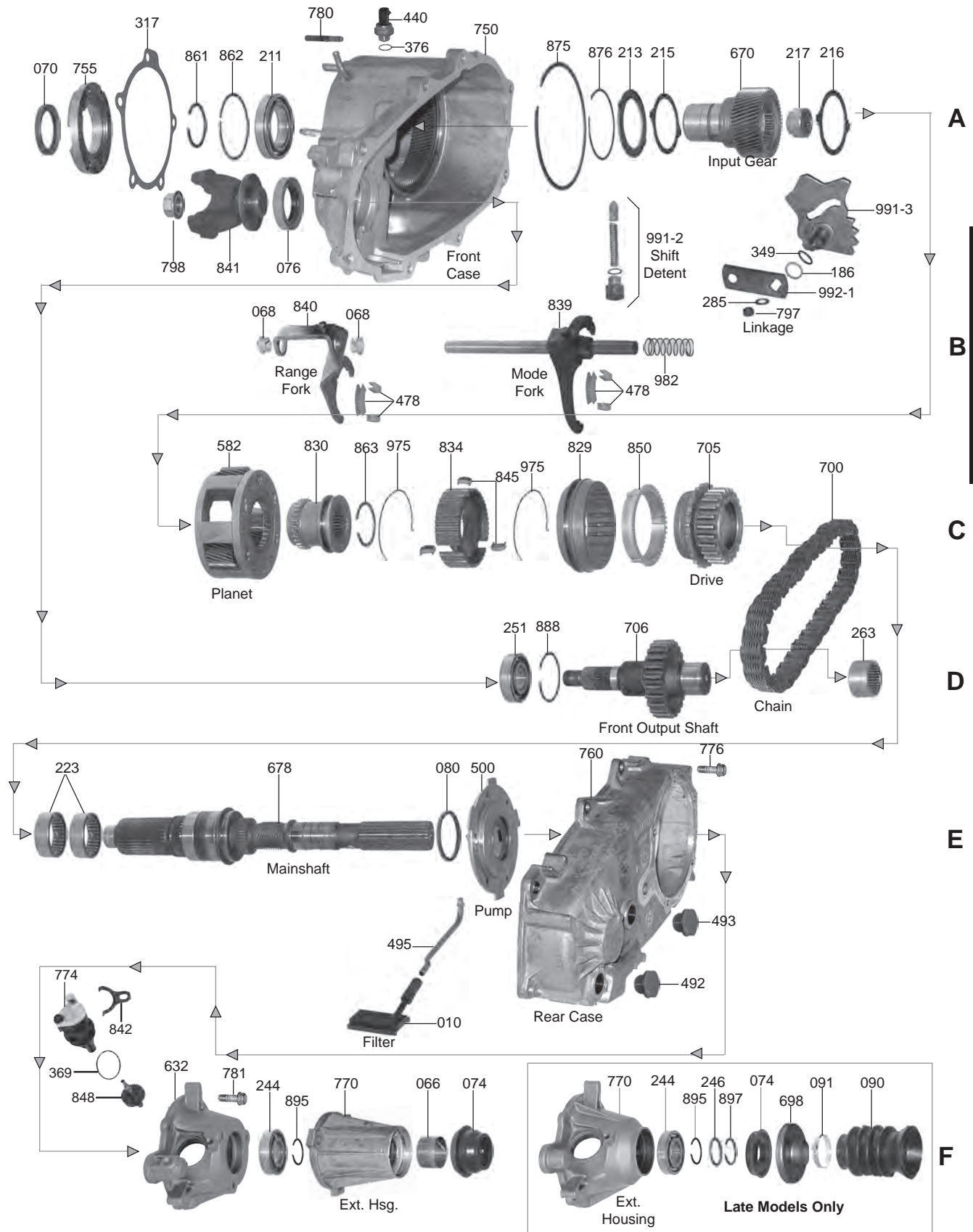






New Process

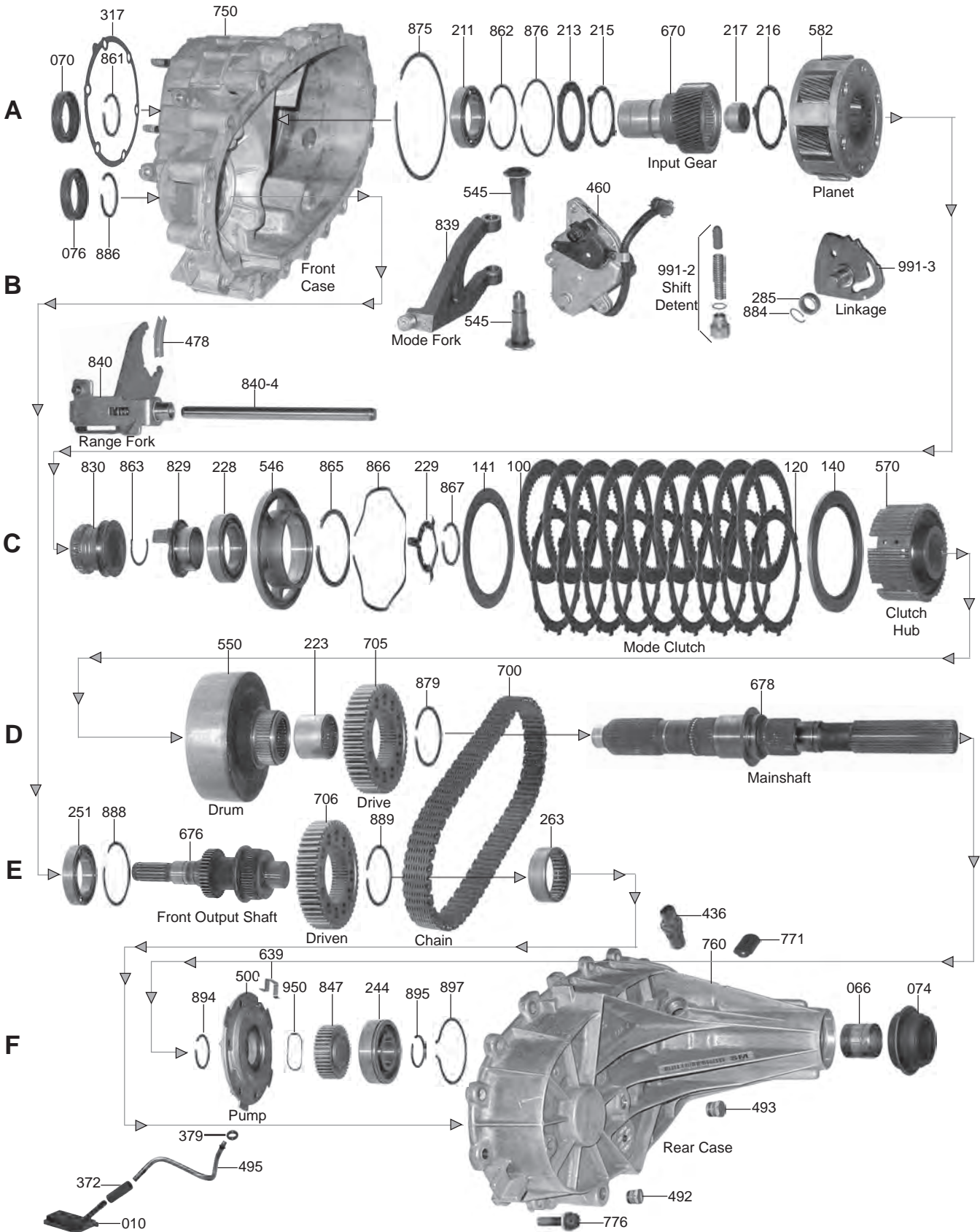




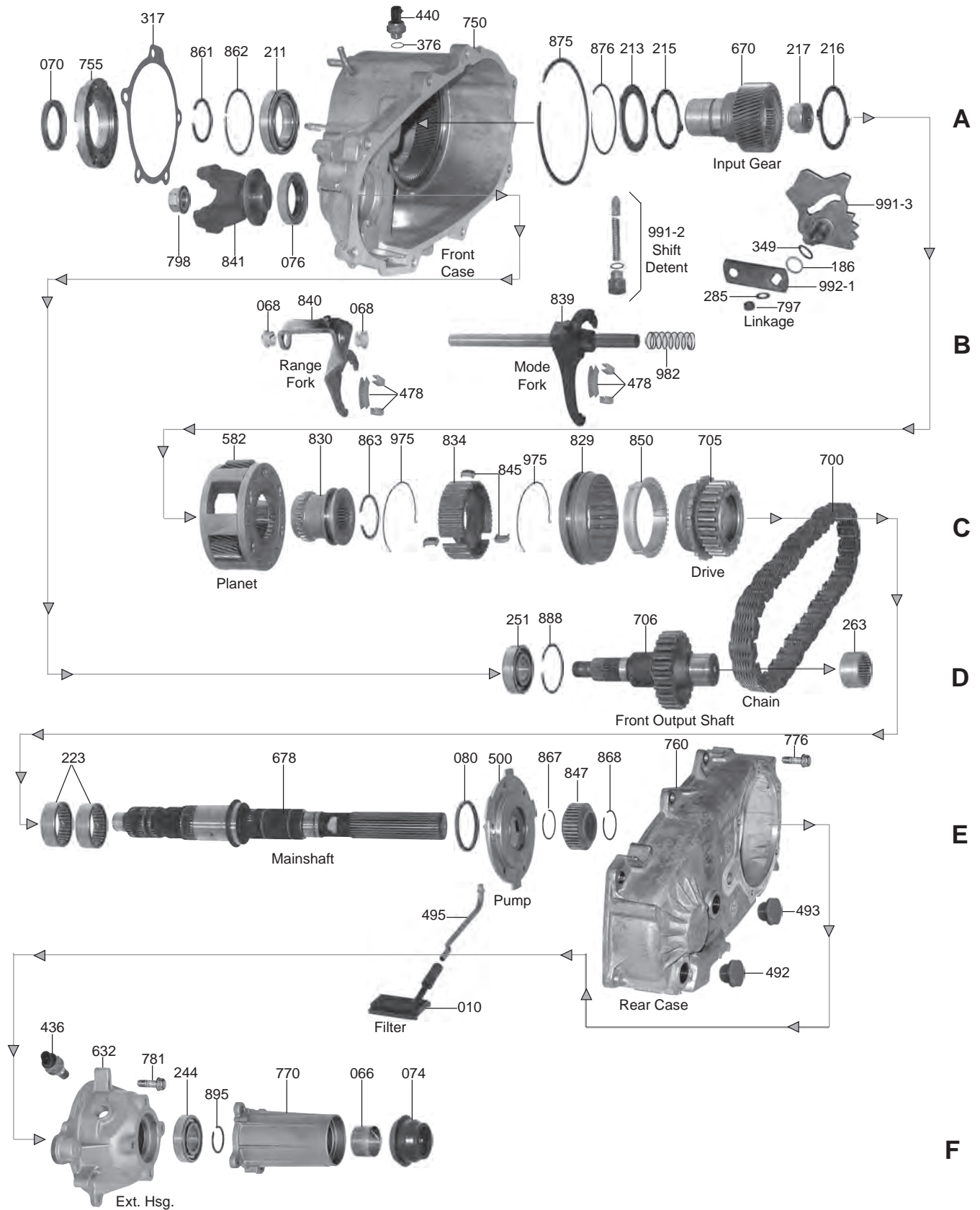
**New Process**



New Process

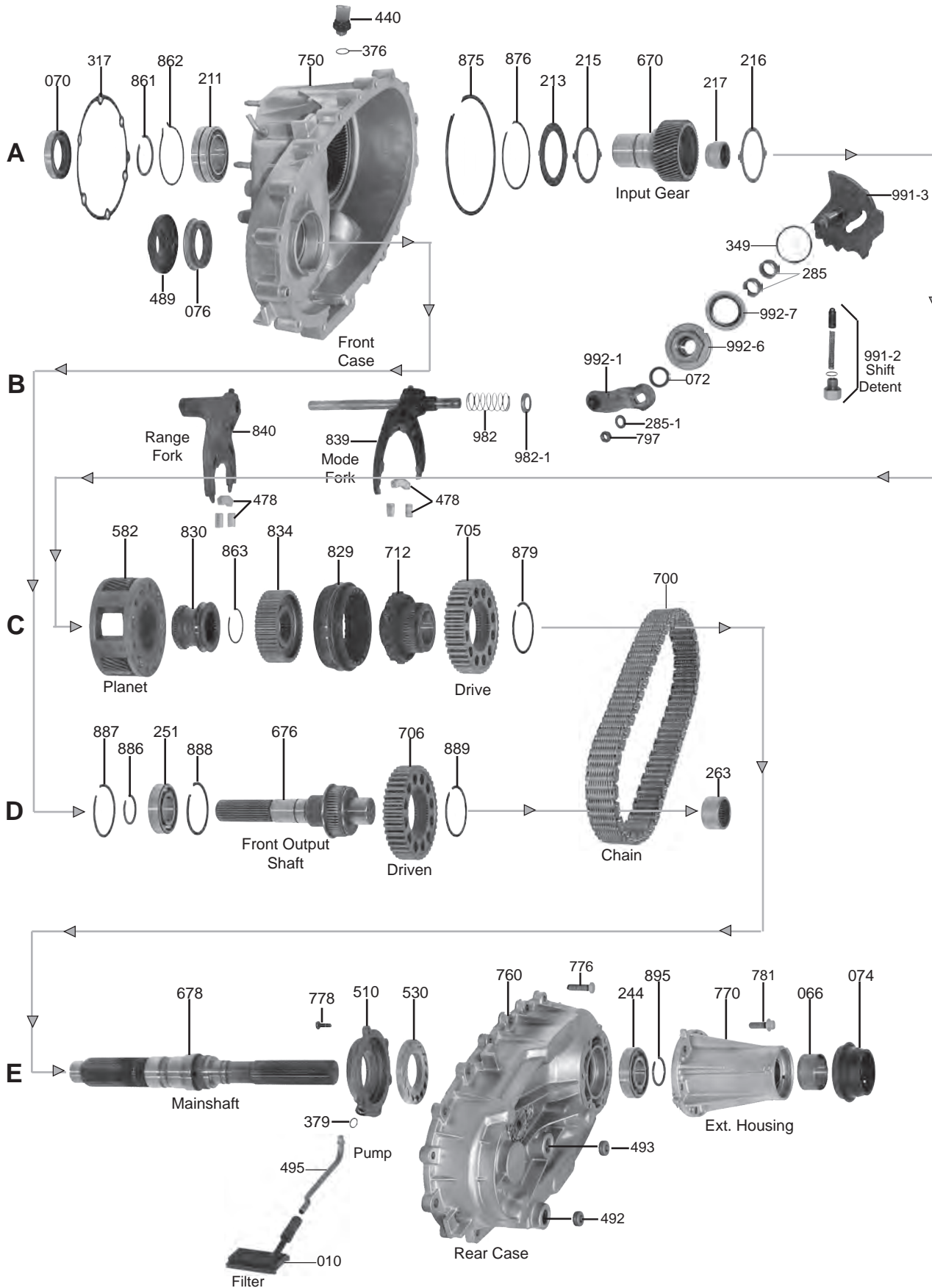






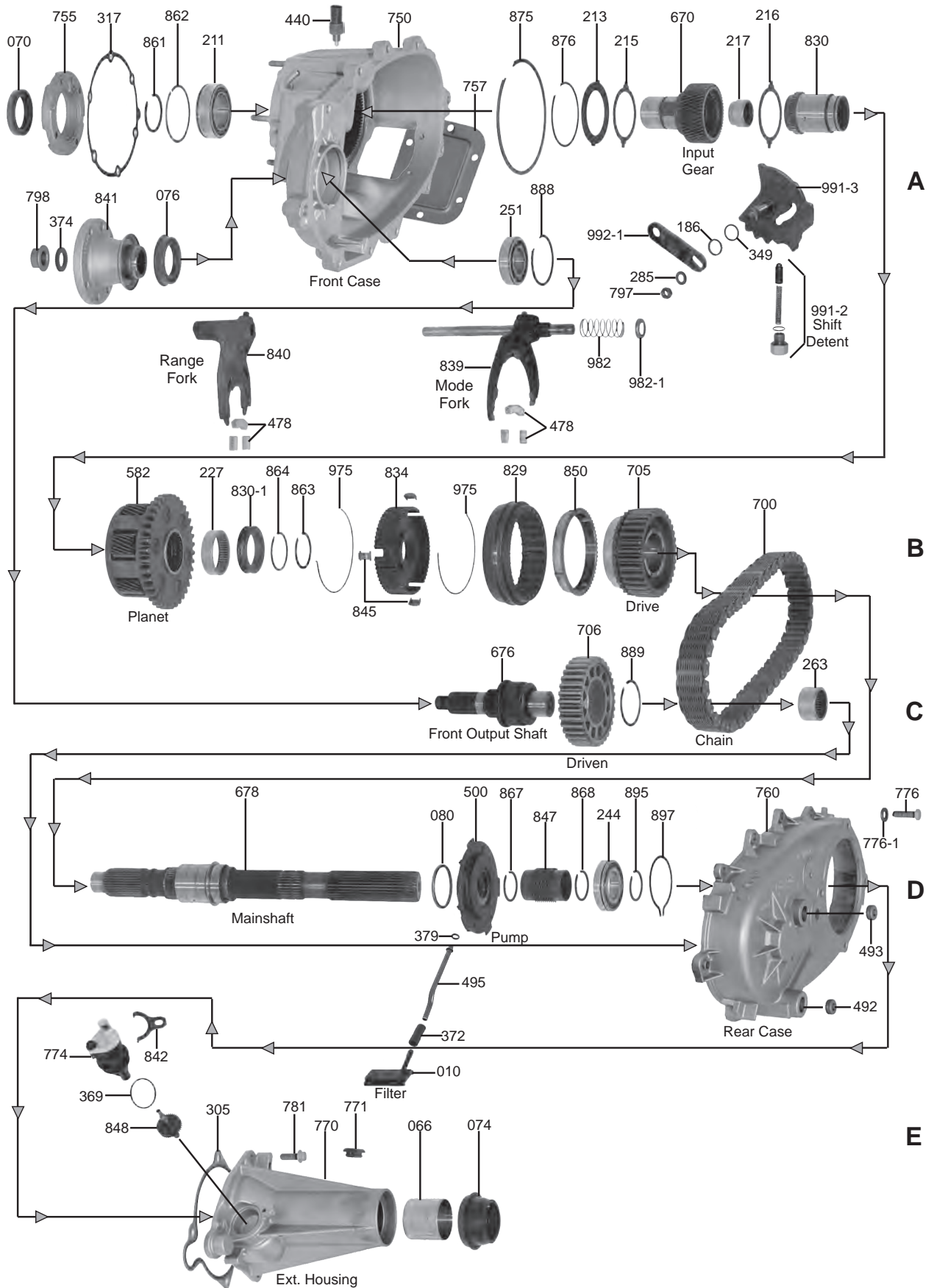
New Process

New Process



**Transfer Case (Part-Time)  
M310 Series**

**NP241DHD**

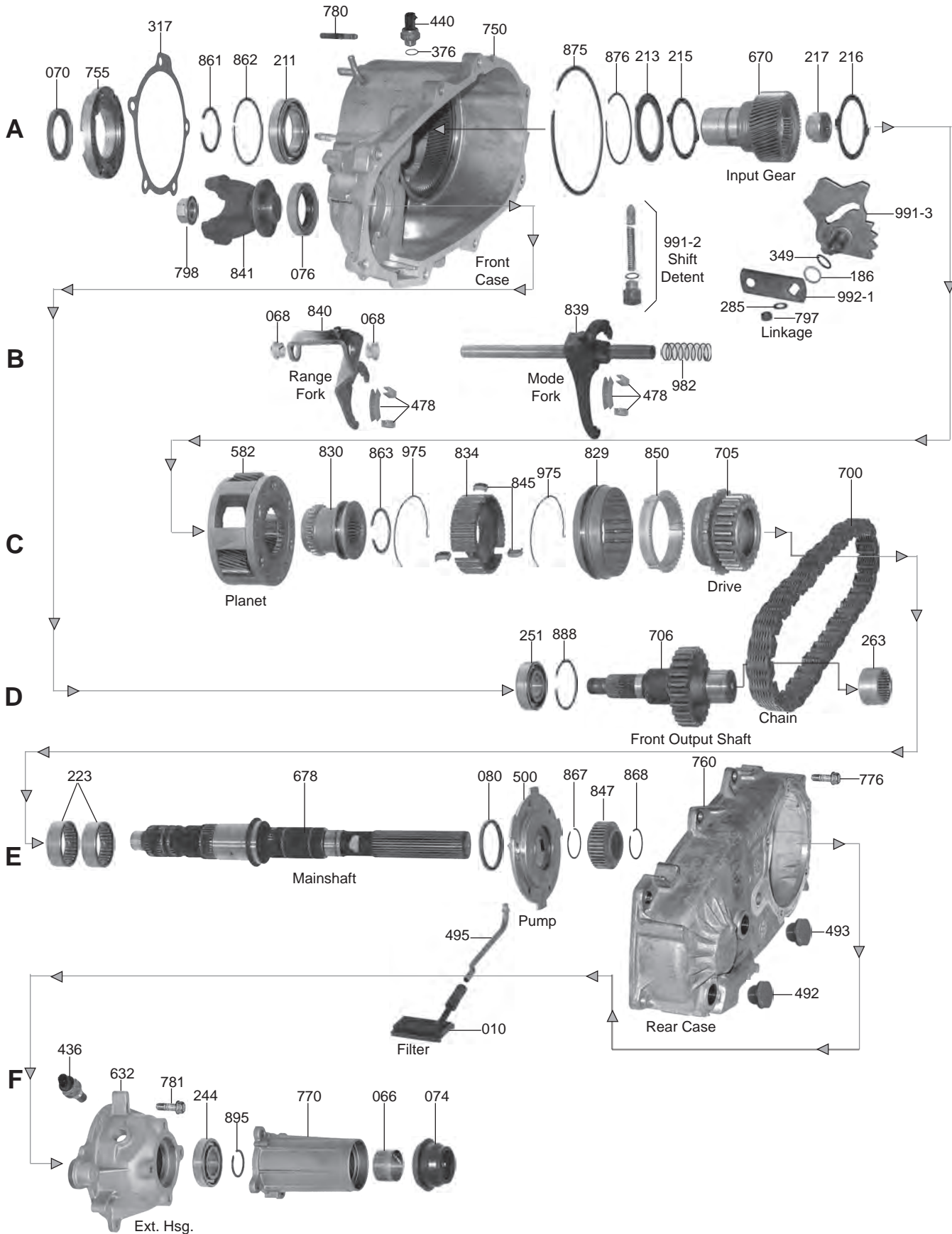


**New Process**

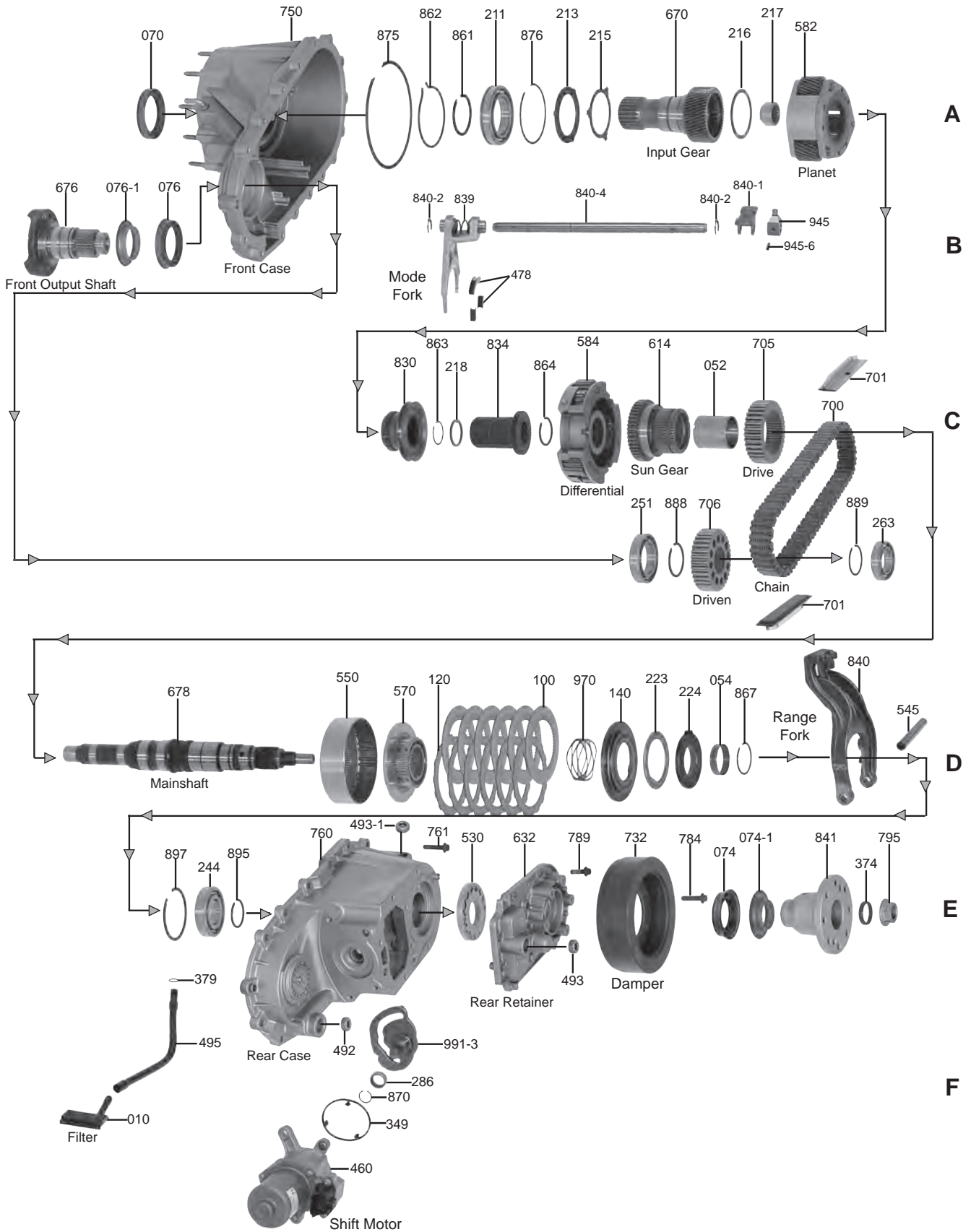
# NP243

# Transfer Case (Part-Time) M311 Series

New Process

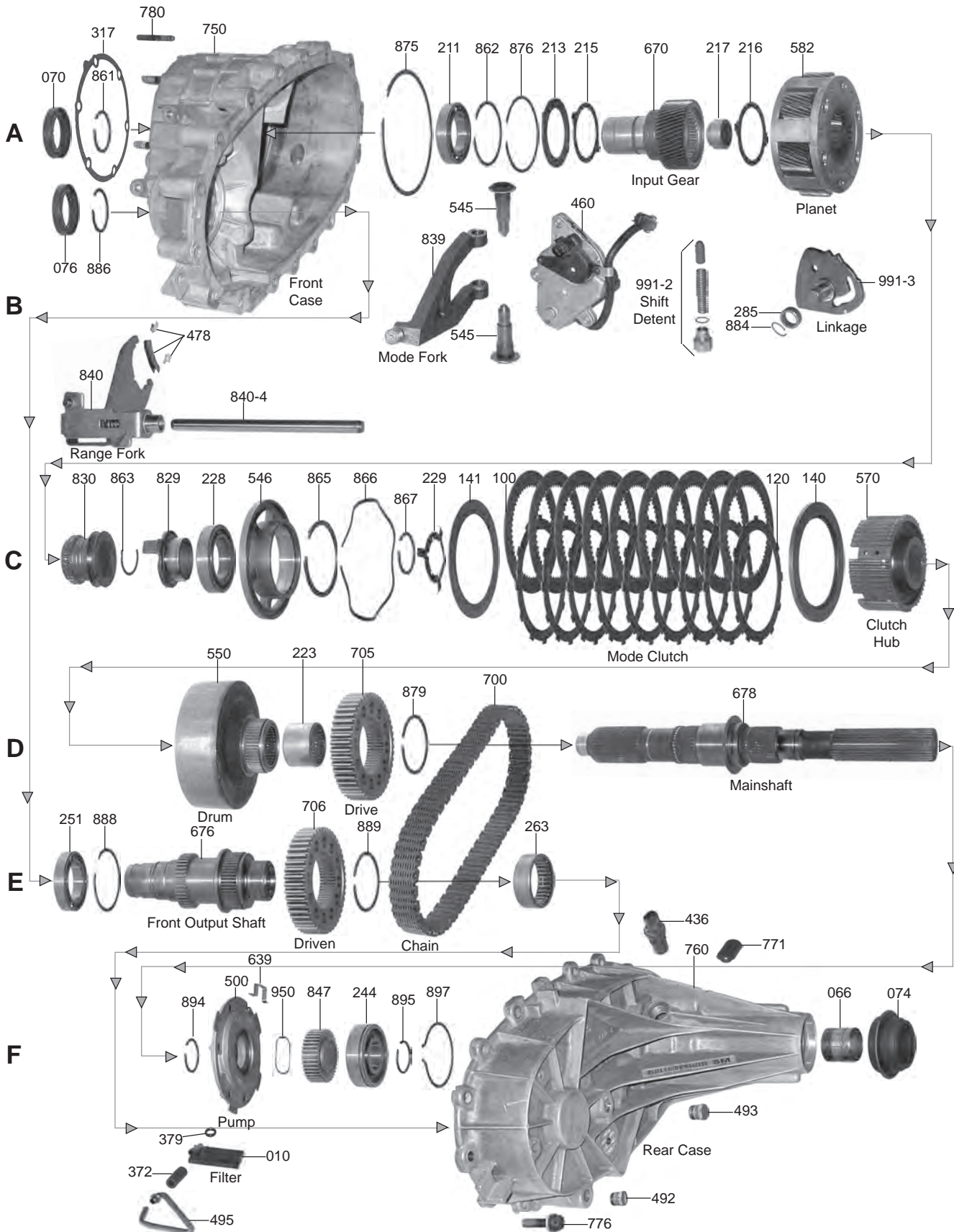


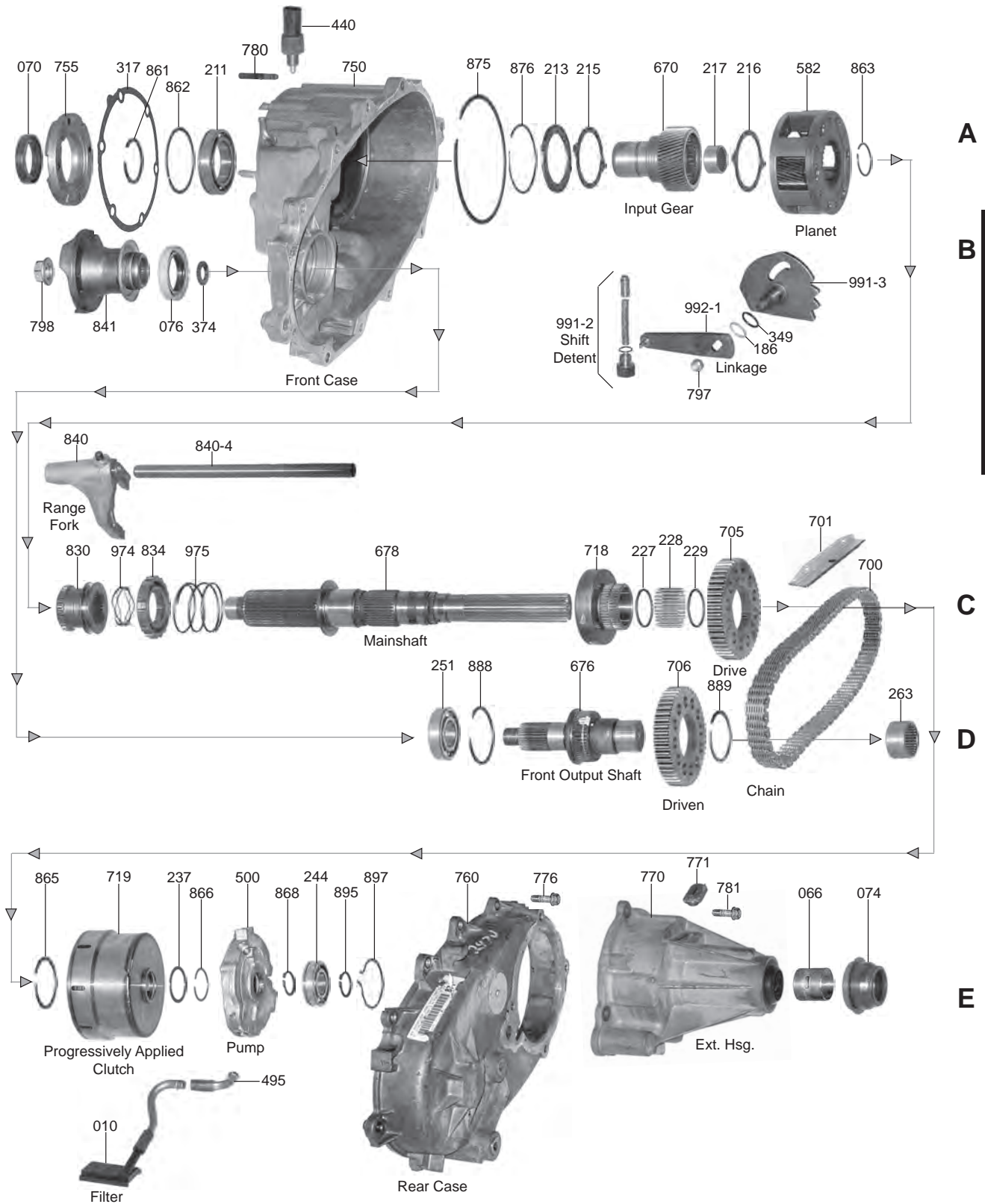




New Process

New Process





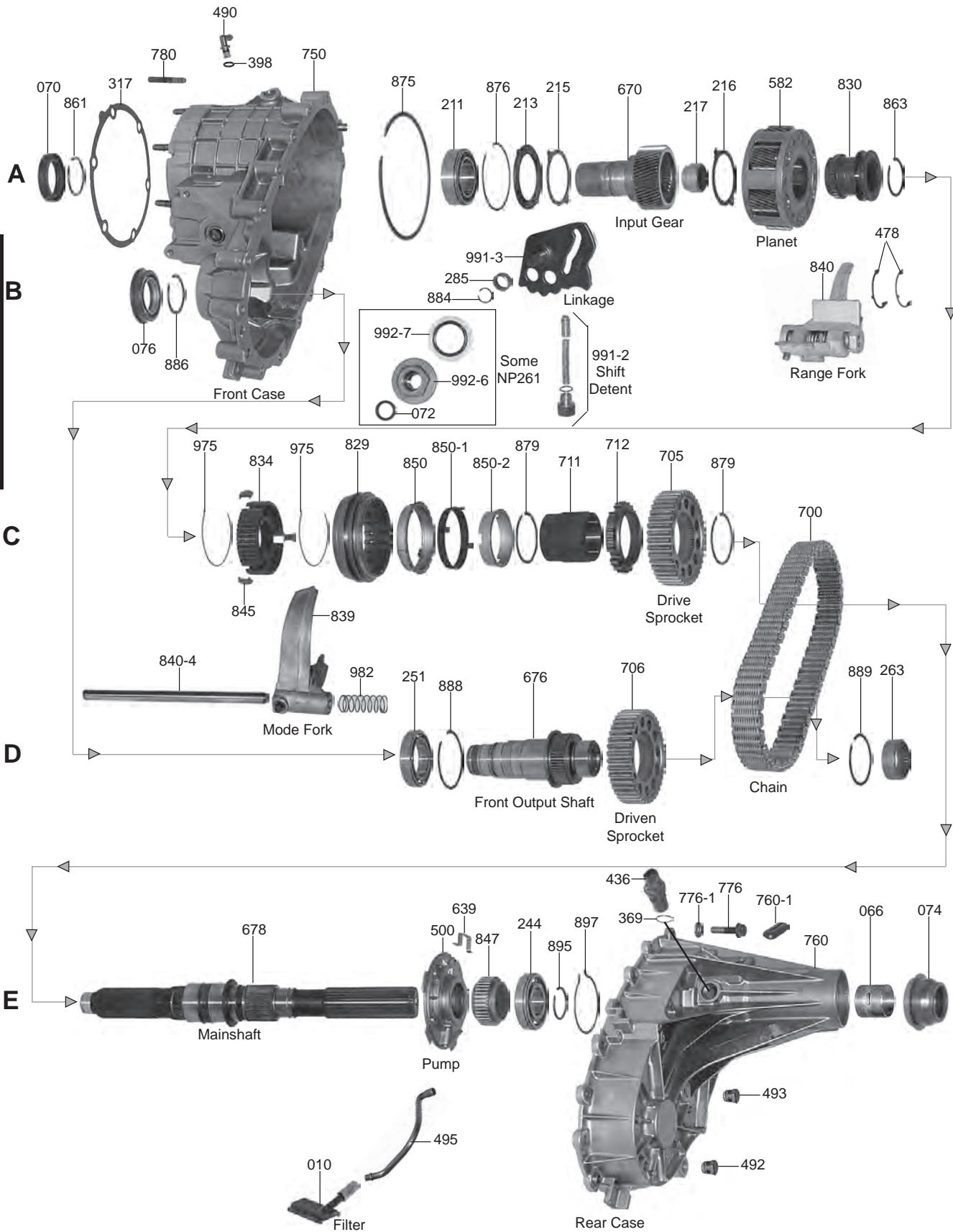
New Process



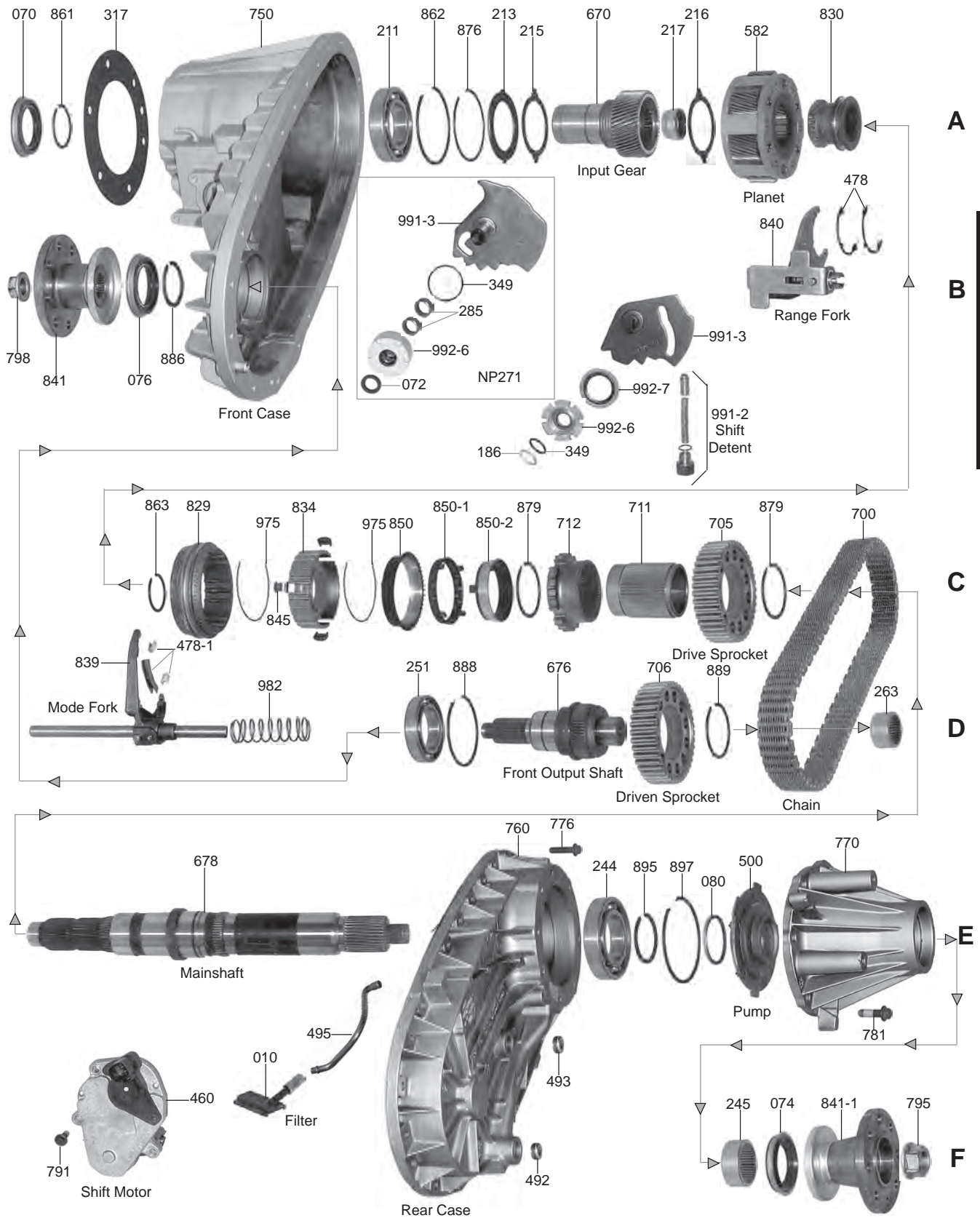
# NP261 / NP263

# Transfer Case (Part-Time) M319 Series

New Process

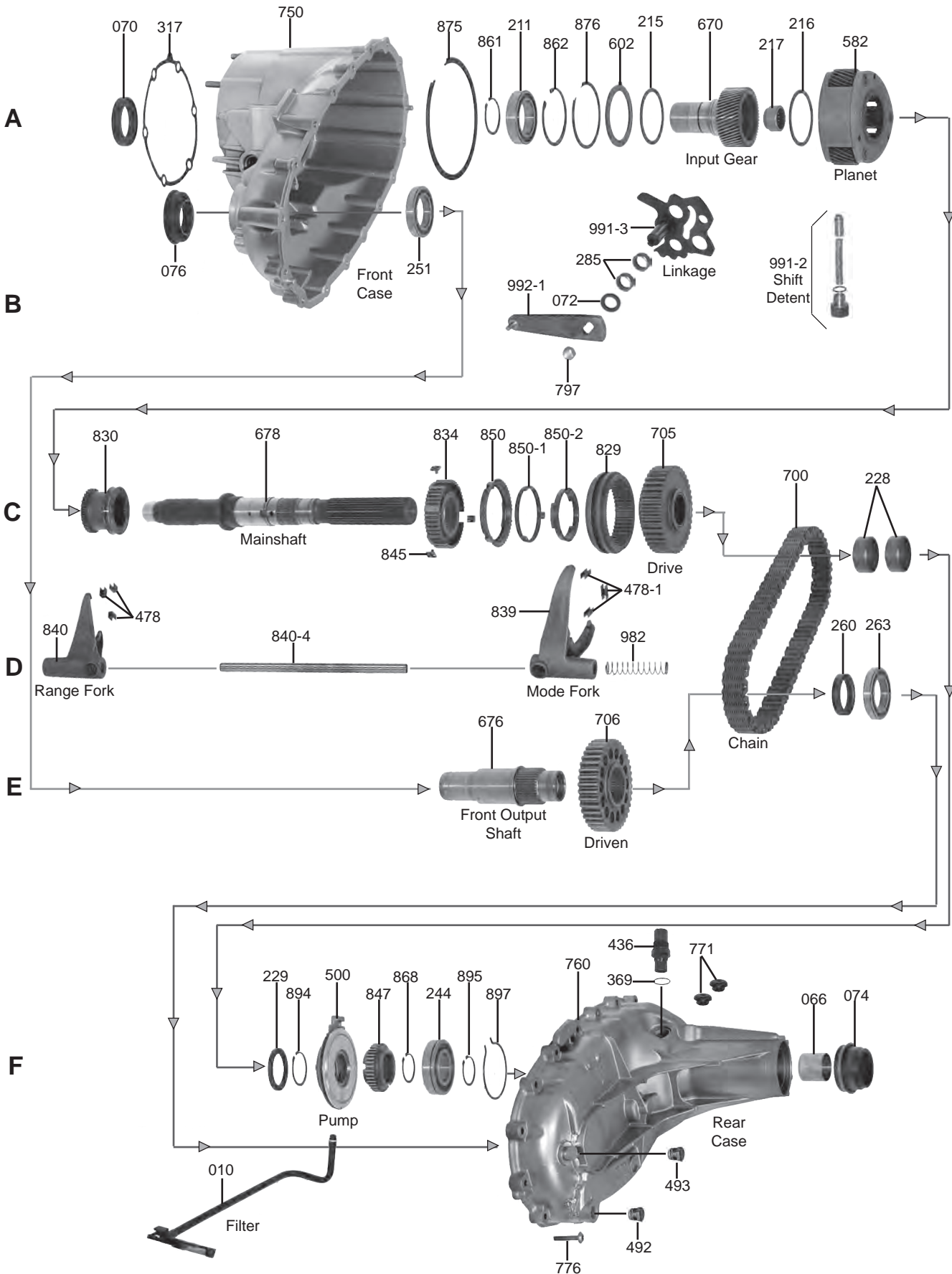






# MP1225

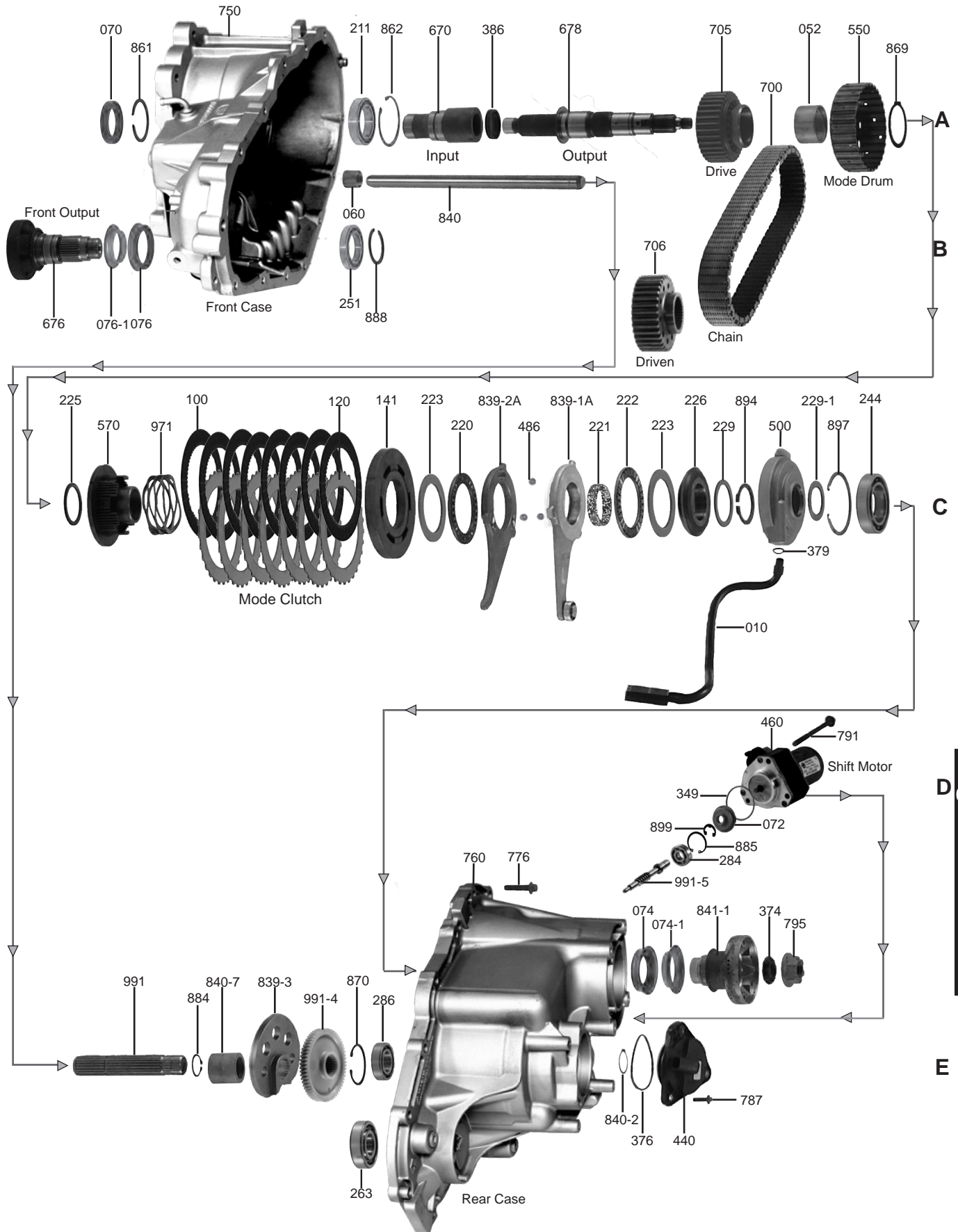
## Transfer Case (Part-Time) M211 Series



Magna Powertrain

**Transfer Case (Part-Time)  
M217 Series**

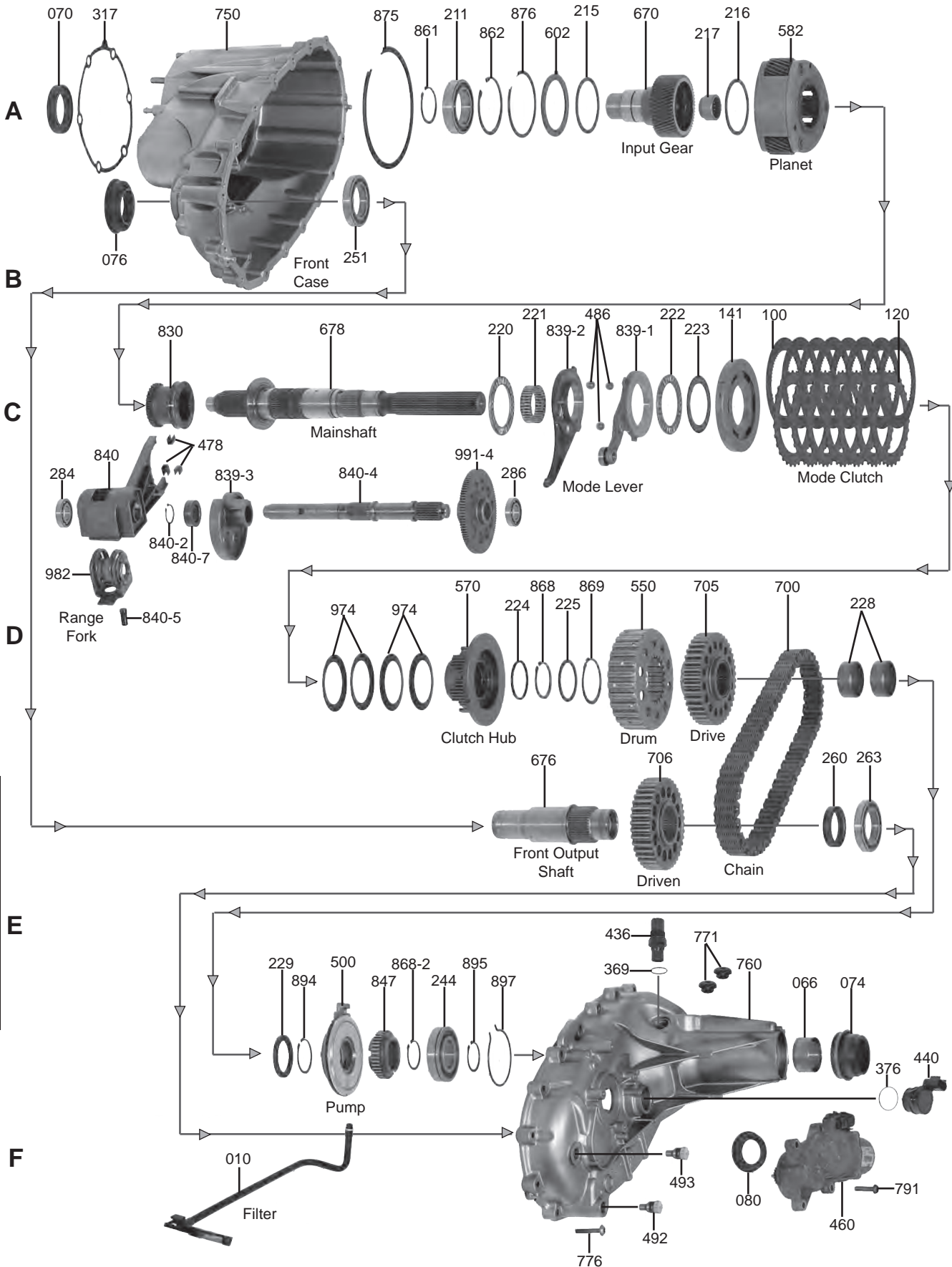
**MP3010**



**Magna Powertrain**

# MP3023

# Transfer Case (Auto-Active) M219 Series

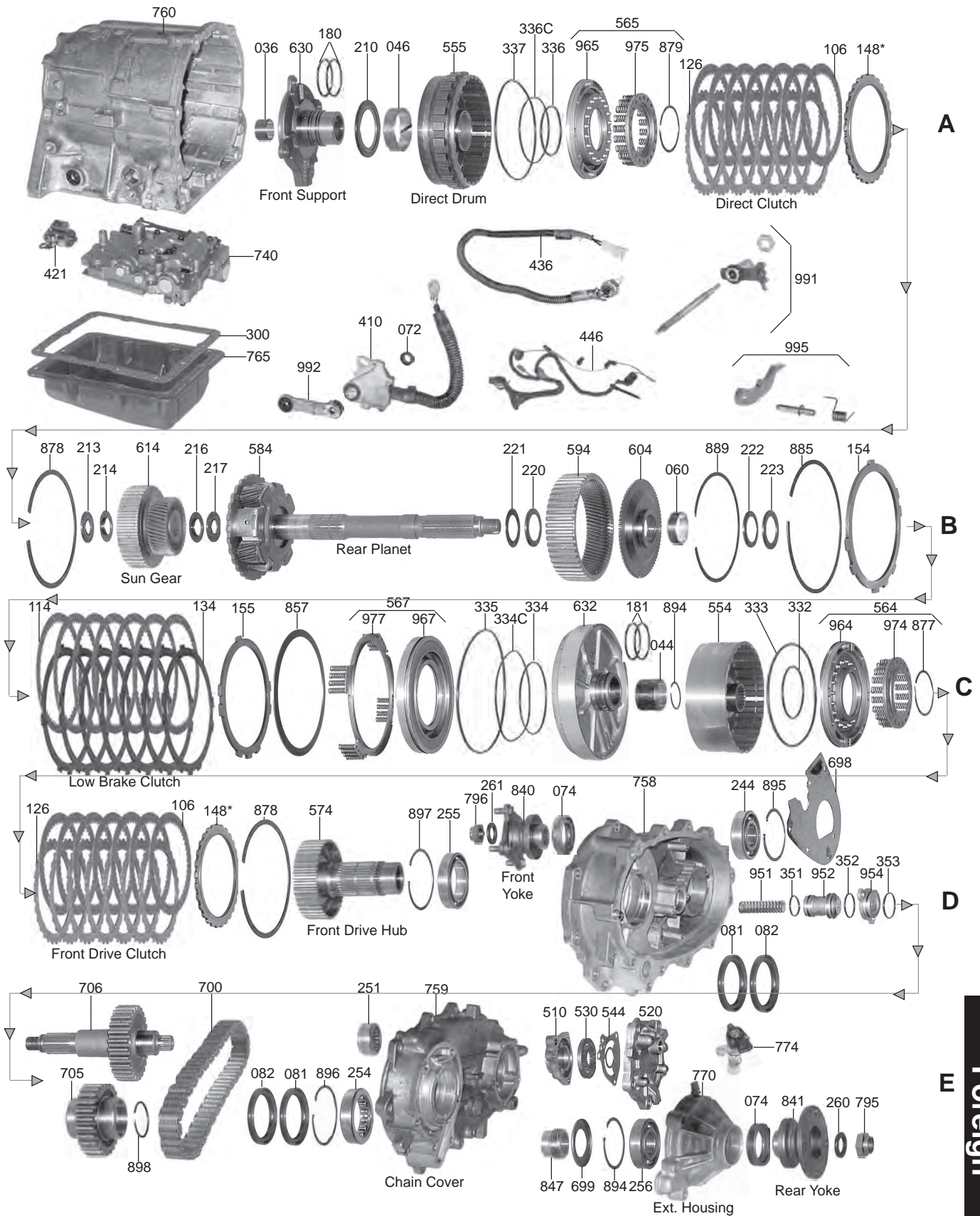


Magna Powertrain



**Automatic Transfer Case  
197 Series**

**R150F**



**Foreign**



- M465BFA..... Lubegard, Squeak Relief Brake Treatment (11.25 oz)(Aerosol)
- M465C ..... Lubegard, Kool-It Supreme Coolant Treatment (16 oz)
- M465CF ..... Lubegard, Koo-It Radiator Flush (16 oz)
- M465CF-C..... Lubegard, Kool-It Radiator Flush & Treatment (Dual Pack)
- M465CH ..... Lubegard, Kool-It Evaporator & Heater Foam Cleaner (6 oz)
- M465D ..... Lubegard, Limited Slip Supplement
- M465DCT ..... Lubegard, Dual Clutch Transmission Fluid (Multi-Vehicle)
- M465E ..... Lubegard, Bio/Tech Engine Oil Protectant/Supplement (10 oz)
- M465EA..... Lubegard, Bio/Tech Engine Oil Protectant/Supplement (15 oz)
- M465EC..... Lubegard, 2 Cycle Engine Oil (8 oz)
- M465EF ..... Lubegard, Engine Oil Flush (15 oz)
- M465EF-EA..... Lubegard, Engine Oil Flush & 15 oz Supplement (Dual Pack)
- M465FSB..... Lubegard, Fuel System Booster (16 oz)(Complete Fuel System Cleaner  
..... And Stabilizer (For Use in Gasoline And Diesel Engines)
- M465FSK..... Lubegard, Fuel System Cleaning Kit (3 Can Kit)
- M465FTK..... Lubegard, Fuel System Pro II Cleaning Kit (2 Can Kit)
- M465G ..... Lubegard, Gear Oil Supplement (For Manual Transmissions And  
..... Differentials (8 oz)
- M465HA..... Lubegard, Shudder Fix (2 oz)
- M465JP ..... Lubegard, Transjel Bulkhead/Connector Protector (1 oz Tube)
- M465LL..... Lubegard, All Purpose (Lube-N-Loosen)(4 oz)
- M465PS..... Lubegard, Power Steering Fluid Supplement (4 oz)
- M465PS-10..... Lubegard, Power Steering Fluid (10 oz)
- M465PSF..... Lubegard, Power Steering Flush (4 oz)
- M465PSF-PS..... Lubegard, Power Steering Flush & 4 oz Supplement (Dual Pack)
- M465PSS-64 ..... Lubegard, Power Steering Protectant & 64 oz Fluid (Dual Pack)
- M465TG..... Lubegard, Green Assembly Goo (16 oz)(Tub)
- M465TH..... Lubegard, Assembly Aid (8 oz)(For Seals & Pistons)
- M465WC..... Lubegard, Drilling & Tapping Fluid (Bio-Tap)(15 oz)
- M465WC-1G..... Lubegard, Cutting Fluid HD Water Emulsifiable (1 Gallon)(For Turning,  
..... Milling, Sawing & Tapping)



- M465DS..... Smart Blend, Limited Slip (Synthetic)(4 oz)
- M465GB ..... Smart Blend, Gear Oil Supplement (8 oz)
- M465HB..... Smart Blend, Shudder Eliminator (2 oz)
- M465J..... Smart Blend, Tru-Volt Cleaner (10 oz)(Aerosol)
- M465PPS ..... Smart Blend, Power Steering Protectant (4 oz)
- M465SBD ..... Smart Blend, (Purple)(Dexron III & Mercon To Dexron VI)
- M465SBS ..... Smart Blend, SUV/Truck Transmission Fluid Supplement (16 oz)(Synthetic)
- M465TP ..... Smart Blend, (Blue) Trans-Prep Lube
- M465TPS..... Smart Blend, (White) Synthetic Assembly Lube
- M468..... Life Strips, (1 Package of 10) Stick On Temperature Strips
- M469LE ..... Smart Blend, Epoxy (Anti-Slip)
- M469LG..... Smart Blend, Threadlocker (Red)(1.7 oz) High Strength


## Transmission Fluids




- M465ATF-1D ..... Transmission Fluid, (Dexron III/Mercon)(1 Quart)(Multi-Guard)
- M465ATF-4D ..... Transmission Fluid, (Dexron III/Mercon)(1 Gallon)(Multi-Guard)
- M465ATF-20D ..... Transmission Fluid, (Dexron III/Mercon)(5 Gallon)(Multi-Guard)
- M465ATF-55D ..... Transmission Fluid, (Dexron III/Mercon)(55 Gallon)(Multi-Guard)
- M465ATF-1S ..... Transmission Fluid, (Synthetic)(1 Quart)(Valvoline Max-Life)
- M465ATF-20S ..... Transmission Fluid, (Synthetic)(5 Gallon)(Valvoline Max-Life)
- M465ATF-55S ..... Transmission Fluid, (Synthetic)(55 Gallon)(Valvoline Max-Life)
- M465DCT ..... Transmission Fluid, Dual Clutch (Multi-Vehicle)
- M465G..... Lubegard, Gear Oil Supplement (For Manual Transmissions & Differentials)  
..... (8 oz)
- M465GB ..... Smart Blend, Gear Oil Supplement (8 oz)
- M465SBS ..... Smart Blend, SUV/Truck Transmission Fluid Supplement (16 oz)(Synthetic)
- M465ZFT-10L..... ZF Differential and Transfer Case Oil (Burmah SAF AG4)(10 Liter)



# Silicone & Gasket Maker

	M469AB..... Aerosol (Gasket Maker) RTV Silicon (7.25 oz) ..... (Red) High Temperature (Cheese Whiz)
	M469B ..... Silicone, Tube (3 oz) (Black)
	DM469BA ..... Silicone Ultra Sealant (Ford)(2.4 oz)
	M469BB..... Aerosol (Gasket Maker) RTV Silicone (7.25 oz) ..... (Black)(Sensor Safe) (Cheese Whiz)
	M469BLA..... Silicone, (Black)(11 oz Tube) (Dynatex)
	M469BLU..... Silicone, (Blue)(11 oz Tube) (Dynatex)
	M469BLU-3 ..... Silicone, (Blue)(3 oz Tube) (Dynatex)
	M469CGE..... Loctite 518, Gasket Eliminator (Part #51831) ..... (1.69 oz Tube)(Used Like A Silicone Gasket ..... Maker)
	M469R ..... Silicone, Red (11 oz Tube)(Dynatex)
	M469RE..... Silicone, Red (3 oz Tube)(Dynatex)
	M465W ..... Dynatex, Gasket Remover Spray

# Thread Locker & Repair

M465LE ..... Smart Blend (Epoxy)(Anti-Slip)	
M469LG..... Smart Blend Threadlocker (Red)(1.7 oz) ..... High Strength	
208-104 ..... Coarse Thread Insert (1/4-20) Perma-Coil	
208-105 ..... Coarse Thread Insert (5/16-18) Perma-Coil	
208-106 ..... Coarse Thread Insert (3/8-16) Perma-Coil	
208-107 ..... Coarse Thread Insert (7/16-14) Perma-Coil	
208-108 ..... Coarse Thread Insert (1/2-13) Perma-Coil	
1182-104..... Perma-Coil Installation Tool (1/4-20)	
1182-105..... Perma-Coil Installation Tool (5/16-18)	
1182-106..... Perma-Coil Installation Tool (3/8-16)	
1182-107..... Perma-Coil Installation Tool (7/16-14)	
1182-108..... Perma-Coil Installation Tool (1/2-13)	
1208-104 ..... Coarse Thread Repair Kit (1/4-20) Perma-Coil	
1208-105 ..... Coarse Thread Repair Kit (5/16-18) Perma-Coil	
1208-106 ..... Coarse Thread Repair Kit (3/8-16) Perma-Coil	
1208-107 ..... Coarse Thread Repair Kit (7/16-14) Perma-Coil	
1208-108 ..... Coarse Thread Repair Kit (1/2-13) Perma-Coil	
206-306 ..... Metric Thread Insert (M6 x 1.0) Perma-Coil	
206-308 ..... Metric Thread Insert (M8 x 1.25) Perma-Coil	
206-310 ..... Metric Thread Insert (M10 x 1.5) Perma-Coil	
3221-M10F ..... Metric Thread Repair Kit (M10 x 1.25) Perma-Coil	
3221-M12C ..... Metric Thread Repair Kit (M12 x 1.75) Perma-Coil	
3221-M12F ..... Metric Thread Repair Kit (M12 x 1.25) Perma-Coil	



# Paint & Markers



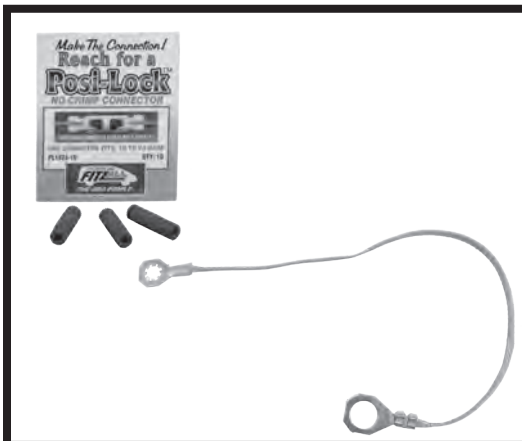
- M471AY ..... Industrial Paint Marker (Yellow)(Heavy Duty)  
 ..... (High Capacity Barrel)(Marks on Metal,  
 ..... Rubber, Masonry, Some Plastic, Glass)  
 ..... (Temperature Range: -20 to 150 Degrees F)  
 ..... (California Compliant)
- M471Y ..... Keep-Track Marker (Yellow)
- M473B ..... Spray Paint, Universal Black
- W473CA ..... Spray Paint, Alumi New (12 oz Cans)
- W473CB ..... Spray Paint, Cast Renew (12 oz Cans)
- M473CHR..... Spray Paint, Chrome Aluminum
- W473G ..... Gasket Remover, Stripper In A Can

# Assembly Lubricants



- M465DT ..... Dynatex, (Blue) Assembly Lube
- M465S ..... Dynatex, Silicone Lubricant (16 oz)(Aerosol)
- M465TG..... Lubegard, (Green) Assembly Goo (16 oz)(Tub)
- M465TH..... Lubegard, Assembly Aid (8 oz)(For Seals & Pistons)
- M465TJ..... Transjel, (Red) Assembly Lube (Sealed Power)
- M465TJG..... Transjel, (Gold) Assembly Lube (Sealed Power)
- SM465TJS..... Sonnax, Lube Stick (Slippery Stick O-Ring Lube)
- M465TP ..... Smart Blend, (Blue) Trans-Prep Lube
- M465TPS..... Smart Blend, (White) Synthetic Assembly Lube
- M465TSB..... Smart Blend, Assembly Aid (8 oz)(For Seals & Pistons)

# Electrical



- TM467AA..... Posi-Loc Connectors (8-10 AWG)  
 ..... (10 Per Pack)(Teckpak)
- TM467AB-2 ..... Posi-Loc Weather Tight Boot  
 ..... (10 Per Pack)(Teckpak)
- TM467AC ..... Posi-Loc Connector (18-24 AWG)  
 ..... (10 Per Pack)(Teckpak)
- TM467AK..... Posi-Loc Survival Kit (Assortment  
 ..... Of All 3 Sizes)(Teckpak)
- TM467BK..... Posi-Twist Connector (18 Piece  
 ..... Assortment) (Teckpak)
- A44449 ..... Ground Strap (14" Long)

# Shift Motors




M256460A .....	Shift Motor, 4493/4494 (7 Wire Connector) 2006-11
M305460A .....	Shift Motor, NP136 (GM) 1998-05
M308460C .....	Shift Motor, NP233C 1992-Up
M309460A .....	Shift Motor, NP236 1998-05 (Also Fits NP246 1999-02)
M310460D .....	Shift Motor, NP144 (Durango Single Speed)(5 Prong Connector)
M311460A.....	Shift Motor, NP243C 1995-00 (Also Fits NP233D 2001-02)
M312460A .....	Shift Motor, NP246 2003-08
M314460A .....	Shift Motor, NP245J 2005-Up
M314460B .....	Shift Motor, NP245J (4 Bolts To Rear Case)(7 Prong Connector)
.....	(13 Inner Splines) 2005-Up
M319460B .....	Shift Motor, NP263 2001-02
M319460BA.....	Shift Motor, NP263/NP273 2003-09
M320460A .....	Shift Motor, NP271/NP273 (Ford)(With 6 Blade Selector Switch And
.....	With 2 Blade Connector On Motor) 1998-Up
M320460AA.....	Shift Motor, NP273 (Ford Super Duty 1999-03)(Excursion 2000-01)
M353460A .....	Shift Motor, (1350 1986-90)(1354 1990-95)(With 10 Pin Connector)
M354460A .....	Shift Motor, 1354 1995-01 (With 8 Pin Round Connector)
M355460A .....	Shift Motor, 1356 (Ford F150/Super Crew/F250)
M368460A .....	Shift Motor, 4405 (With 6 Pin Square Connector) 1995-01
M369460A .....	Shift Motor, 4406 (Electric Shift)(Connector Has 7 Prongs Going To The
.....	Motor, But Can Take Up To 7 More Prongs From The Sensors)
.....	(The Sensor Prongs Slip Out Of The Connector) 1995-Up
M373460A .....	Shift Motor, 4411 2002-05
M373460B .....	Shift Motor, 4412 2006-Up
M374460A .....	Shift Motor, 4416 (Round, 8 Wire Connector) 2003-07
M379460A .....	Shift Motor, 4482 (7 Blade Rectangular Connector)

# Speed-O Gear



Make	Tooth Count	Color	Reference #
Ford	6 Teeth	Black	
Chevy	7 Teeth	Blue	6264073
Ford	8 Teeth	Green	
Chevy	9 Teeth	Red	6261796
44849A .....	Clip, Muncie M20/M21/M22 Speed-O		
.....	Drive Gear (Long Narrow Type)		


# Cleaners

	M470-35 ..... Transmission Cleaning Compound (35 lb) ..... (In a Square WIT Pail)
	M470-HC ..... Cleaner, Hand (All Natural)(12 oz Bottle)
	M470-HW ..... Wipes, Hand Cleaner (Pre-Moistened)(72 ct)
	M470-32OZ ..... Cleaner, RV & Boat (Crown) General Purpose ..... Cleaner
	M470-450 ..... Transmission Cleaning Compound (450 lb) ..... (Transbrite 7000 Powder)
	M470-50 ..... Transmission Cleaning Compound (50 lb) ..... (Transbrite Cleaning Compound)
	M470-50-TEST ..... Test Kit, For Transbrite 7000 & 9000 Powder
	M470-55GAL ..... Transmission Cleaning Compound (55 Gallon ..... Liquid)(Transbrite 9000 Liquid)
	M470-5GAL ..... Transmission Cleaning Compound (5 Gallon ..... Liquid)(Transbrite 9000 Liquid)
	M470U-55GAL..... Transmission Cleaning Compound (55 Gallon ..... Liquid)(Transbrite Ultrasonic)
	M470U-5GAL..... Transmission Cleaning Compound (5 Gallon ..... Liquid)(Transbrite Ultrasonic)

# Gloves

M475MB ..... Gloves, (Medium) (5 Mil Thick) ..... Nitrile Disposable, Powder Free ..... (Tube Of 100 Gloves)	
M475MC ..... Gloves, (Large) (5 Mil Thick) ..... Nitrile Disposable, Powder Free ..... (Tube of 100 Gloves)	
M475MD ..... Gloves, (Extra Large) (5 Mil Thick) ..... Nitrile Disposable, Powder Free ..... (Tube Of 100 Gloves)	
M475MJ ..... Gloves, (Large) (8 Mil Thick) ..... Nitrile Disposable, Powder Free ..... (Tube Of 50 Gloves)	
M475MK ..... Gloves, (Extra Large) (8 Mil Thick) ..... Nitrile Disposable, Powder Free ..... (Tube of 50 Gloves)	

# Light Bulbs

	M472-50 ..... Light Bulb, Rough Service (50 Watt) ..... (24 Bulbs Per Case)
	M472-75 ..... Light Bulb, Rough Service (75 Watt) ..... (2 Bulbs Per Case)
	M472-100 ..... Light Bulb, Rough Service (100 Watt) ..... (30 Bulbs Per Case)









# Other Products



- Brake Kleen ..... Brake Parts Cleaner/Degreaser (Non-Chlorinated)(14 oz)(#4 Flash Point)  
..... (Very Flammable)
- Brake Kleen CC..... Brake Parts Cleaner/Degreaser (Non-Chlorinated)(14 oz)(Meets VOC  
..... Regulations In All 50 States)
- M465MT8 ..... Muscle Metal Treatment (MT-10)(8 oz)
- M468..... Life Strips (1 Package of 10) Stick On Temperature Strips
- M469RF..... Rapid Fix, Instant Adhesive & Welding Powder (Dual Adhesive)  
..... (Bonds Metals,Rubber, Glass & Most Plastics)(Fills Holes, Gaps, & Cracks)

## Mounts

Contact Your Salesperson For Complete Listing

 <p><b>MT531</b> - Mount, Dodge 1994-01</p>	 <p><b>MT778</b> - Mount, S10 T5 World Class</p>	 <p><b>MT1002</b> - Mount, GM 1991-95</p>
 <p><b>MT183</b> - Mount, GM Truck/Van 1985-00</p>	 <p><b>MT114</b> - Mount, Chrysler, Dodge, Plymouth 1969-89</p>	 <p><b>MT1020</b> - Mount, Ford Truck/Van 1996-01</p>
 <p><b>MO125L</b> - Mount, Ford Mustang</p>	 <p><b>MT157</b> - Mount, Ford Trucks 1983-96</p>	<p><b>Photo Not Available</b></p> <p><b>MT156</b> - Mount, ZF 6 Speed 1983-99</p>



**T-Muncie Wrench** - Made of heavy duty precision-cut steel, the Muncie wrench easily removes and installs the thin-walled input shaft retaining nut. As an added feature, we cut a rounded-rectangular hole into the handle shaped specifically to operate the forks after the assembly process.



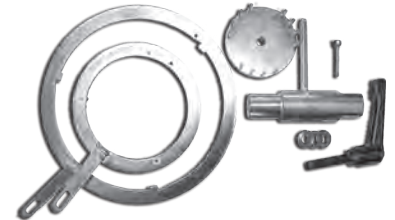
Adapt-A-Case # MUNCIE WRENCH

**T-M109R** - Installation Tool NP246/NP261/NP263 Front Seal



Adapt-A-Case # T-M109RAC

**T-DPSRAC** - Ford Dual Clutch Reset Tool



Adapt-A-Case # T-DPSRAC

**T-4500-AAC-KIT** - Remover / Installer NV4500 For 5th Gear Spanner Nut (3 Piece Kit Includes Wrench, Snap Ring and Heavy Duty Socket)



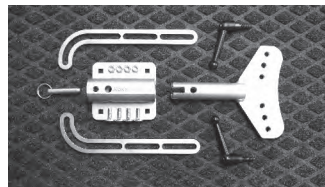
Adapt-A-Case # T-4500AC

**T-271** - Remover / Installer Tool, NP271/NP273 Selector Shaft Spanner Nut



Adapt-A-Case # T-171AC

**T-0156TCAC** - Transfer Case Holding Fixture (Mounts To The Edge Of Bench)



Adapt-A-Case # T-0156TCAC

**T-0156PAC** - Transmission Holding Fixture (Fits Most Transmissions & Transfer Cases With PTO)



Adapt-A-Case # T-0156PAC

**T-1000SS** - Socket, NV4500 Output Shaft Spanner Nut



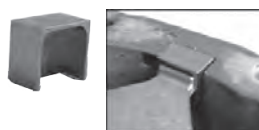
Adapt-A-Case # T-1000AC

**T-78925** - Adjustment Tool, Chrysler RWD Differential (7.25/8.25/9.25 Differential)



Adapt-A-Case # T-78925AC

**AM369639A** - Case Saver BW4405 (Pump Tab Clip)



Adapt-A-Case # TC4405C

**AM312639B** - Case Saver, NP136/NP236/NP246/NP261/NP263 (Round W/4 Tabs)(Washer Type Repair)(Permanent Pump Wear Protection)



Adapt-A-Case # BRNY

## BUSHING STYLE

**Increase Strength & Durability Without the Premium Cost**

### Performance Builds

SETTING THE STANDARD for incredible performance and value, these yokes deliver a winning combination you won't find anywhere else. It's the best way to upgrade high horsepower and torque capacity vehicles running on the street, drag strip or dirt oval track.

### Everyday Drivers

Installing Sonnax yokes in routine transmission builds helps prevent comeback complaints like leaking from the back of the transmission, noise, vibration and harshness (NVH), clunking and shudder.



## ROLLER BEARING STYLE

### Rock-Solid Reliability for Extreme Racing

Proven INDESTRUCTIBLE in track and street runs plus torture testing in the lab, these yokes guarantee you the titanic strength and durability to run even the most extreme horsepower.

- Forged 4340 chromoly
- Through-hardened, tempered barrel
- Unique Sonnax design increases strength in critical areas
- Use with single- or double-roller bearings

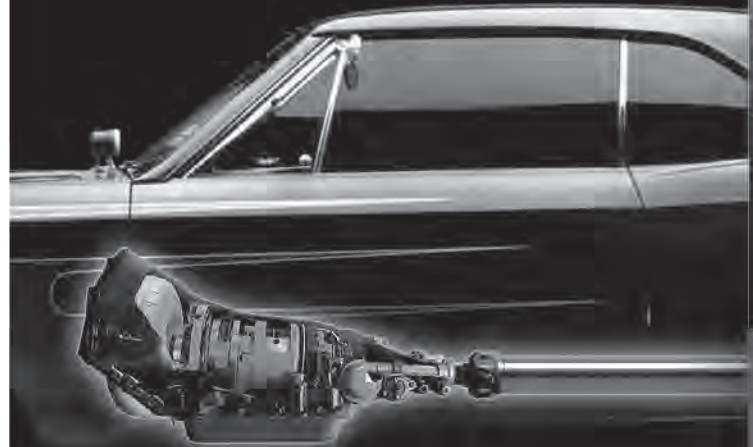


**Time Tested. Industry Trusted.  
That's Sonnax.**

After more than 30 years in business, the Sonnax name has become synonymous with outstanding parts, customer service and technical expertise that are second to none.

- Transmission Parts & Remanufactured Valve Bodies
- Torque Converter Components
- High Performance & Heavy-Duty Upgrades
- Driveline Components
- Power Train Savers®

**Find Parts & Great Tech Resources  
at [www.sonnax.com](http://www.sonnax.com)**



©2019 Sonnax Transmission Company, Inc.  
A Marmion / Berkshire Hathaway Company

# sonnax<sup>®</sup> PERFORMANCE

faster tougher stronger

sonnax

## Performance Slip Yokes

QUALITY & ENGINEERING  
YOU CAN TRUST

# sonnax<sup>®</sup>

## Performance Slip Yokes

- ✓ Excellent Corrosion Protection
- ✓ Superior Fit
- ✓ Optimum Sealing & Yoke Movement
- ✓ Exceptional Balance with Minimal Runout

A Sonnax slip yoke is NEVER  
the weak link in your driveline.

Choose from performance slip yokes for dozens of popular applications, every one optimized to drive power smoothly and reliably from transmission to driveshaft.

- Fully machined from billet steel for enhanced strength & durability
- Leak-free plug tested to 40 psi for optimum sealing
- 1330/1350 Series yokes are chromoly steel

Ask your driveline shop or performance parts distributor for Sonnax slip yokes or contact a Sonnax driveline product specialist for assistance.

Choose the Right Yoke for Your Build at  
[WWW.SONNAX.COM/SLIP\\_YOKES](http://WWW.SONNAX.COM/SLIP_YOKES)



# sonnax® Performance Slip Yokes

Part No.	Spline Count	Journal Dia.	Length	Spline Type	U-Joint Series			Output Shaft Applications
	A	B	C		3R	1310	1330	
<b>ROLLER BEARING STYLE</b>								
T3-3-2431CBH 4340 CHROMOLY	32	1.888"	5.50"	Counterbore			✓	TH400, 4L80-E; Powerglide with 32-tooth spline
T3-3-6081H 4340 CHROMOLY	27	1.500"	5.81"	Full			✓	Powerglide, TH350/C; Muncie M20, M21 & M22 with 27-tooth spline; Saginaw 3- & 4-speed
<b>BUSHING STYLE</b>								
T2-3-4911HP	27	1.503"	4.88"	Full		✓		Powerglide, 200-4R, TH350, 4L60 (700-R4), 4L60-E; Muncie M20, M21 & M22 with 27-tooth spline; Saginaw 3- & 4-speed
T2-3-6081HP	27	1.503"	5.47"	Full		✓		
T2-3-12081HP 4140 CHROMOLY	27	1.503"	5.47"	Full			✓	
T2-3-12051HP 4140 CHROMOLY	27	1.503"	6.76"	Counterbore			✓	
T3-3-6081HP 4140 CHROMOLY	27	1.503"	5.47"	Full			✓	
T3-3-4281HP 4140 CHROMOLY	27	1.503"	6.94"	Counterbore			✓	
T2-3-6081HP8XL 4140 CHROMOLY	27	1.503"	8.00"	Full		✓		Powerglide, 200-4R, 4L60 (700-R4), 4L60-E, TH350, Muncie & Brinn
T3R-3-9161HP 4140 CHROMOLY	32	1.886"	7.50"	Full	✓			TH400, 4L80-E, Muncie M20, 21 & 22, BorgWarner T10
T2-3-13131HP	32	1.886"	4.88"	Full		✓		
T2-3-10431HP	32	1.886"	5.50"	Full		✓		
T2-3-10831HP 4140 CHROMOLY	32	1.886"	6.76"	Full			✓	
T3-3-2431HP 4140 CHROMOLY	32	1.886"	5.50"	Full			✓	
T3-3-2431CBHP 4140 CHROMOLY	32	1.886"	5.50"	Counterbore			✓	
T3-3-5571HP 4140 CHROMOLY	32	1.886"	6.94"	Full			✓	
T3-3-5551HP 4140 CHROMOLY	32	1.886"	7.94"	Counterbore			✓	
T2-3-6041HP 4140 CHROMOLY	31	1.685"	6.00"	Full			✓	
T3-3-2491HP 4140 CHROMOLY	31	1.685"	6.44"	Full			✓	
T3-3-5431HP 4140 CHROMOLY	31	1.886"	7.31"	Full			✓	31-Spline BorgWarner transfer cases

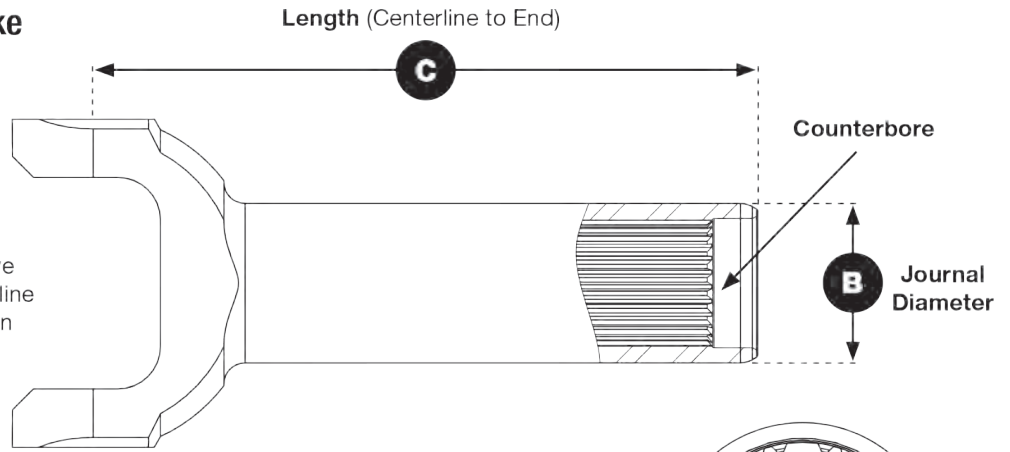


## How to Measure a Slip Yoke

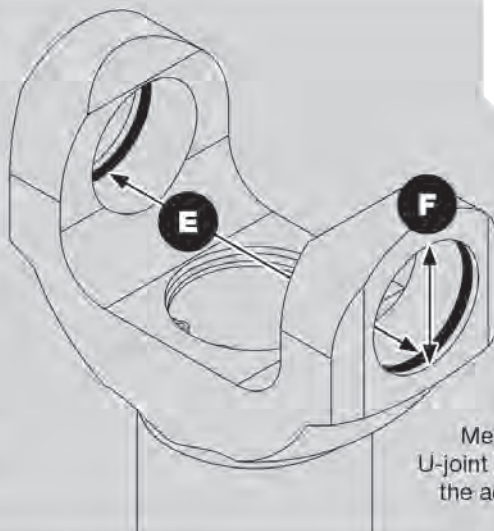
Measure OE slip yoke with a precision tool to determine which Sonnax yoke you need. Length, journal size and U-joint series are critical dimensions requiring accurate measurements.

**Spline Count:** Some slip yokes have missing splines. Include missing spline in your count or count the splines on transmission output shaft.

**Spline Type:** A counterbore is a short lead without spline in the end of some yokes.



U-Joint Series	E	F
3R	2.562"	1.125"
1310	3.219"	1.062"
1330	3.622"	1.062"
1350	3.622"	1.188"
1410	4.188"	1.188"
1480	4.188"	1.375"
1485	4.178"	1.375"
1550/1555	4.964"	1.375"



**E = U-Joint Width**  
**F = U-Joint Cap Diameter**

Measurements will be APPROXIMATE.  
U-joint bores in yoke will be slightly larger than the actual U-joint dimensions given below.

Part No.	Spline Count	Journal Dia.	Length	Spline Type	U-Joint Series				Output Shaft Applications
	A	B	C		3R	1310	1330	1350	
T2-3-4871HP	28	1.499"	6.00"	Full		✓			C4, AOD, Tremec T5, Toploader
T2-3-8251HP	28	1.499"	6.50"	Full		✓			
T2-3-5981HP 4140 CHROMOLY	28	1.499"	5.91"	Full			✓		
T3-3-8251HP 4140 CHROMOLY	28	1.499"	6.50"	Full				✓	C4, AOD, Tremec T5, BorgWarner T10
T2-3-14061HP 4140 CHROMOLY	28	1.598"	6.63"	Full			✓		4R70W
T3-3-14061HP 4140 CHROMOLY	28	1.598"	6.63"	Full				✓	
T3-3-3931HP 4140 CHROMOLY	30	1.680"	6.63"	Full				✓	A727, A833; Tremec T56 with 30-tooth spline



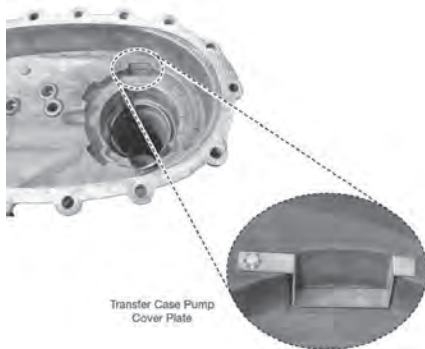
**SM308895AK** - Snap Ring With Split Retainer, NP231/NP232/NP233 (Sonnax)

Sonnax # 100420-01K



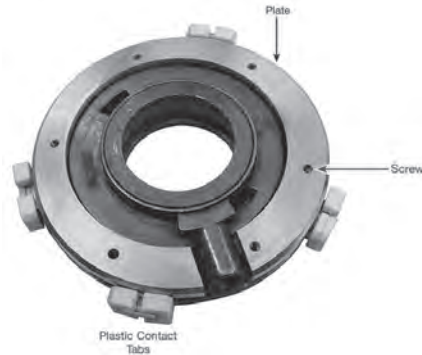
**SM310895K** - Snap Ring Kit, NP231/NP241 Rear Output Shaft (Sonnax)  
(Fits All NP241 Except NP241DHD)

Sonnax # 100420-02K



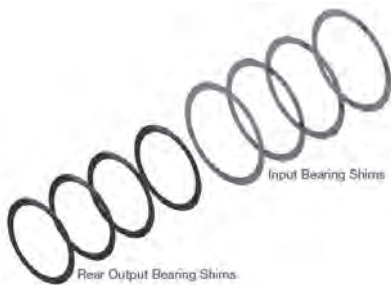
**SM312639A** - Tin Clip, NP136/NP236/NP246/NP261/NP263 (Pump Lug To Rear Case)(Sonnax)

Sonnax # 100246-01



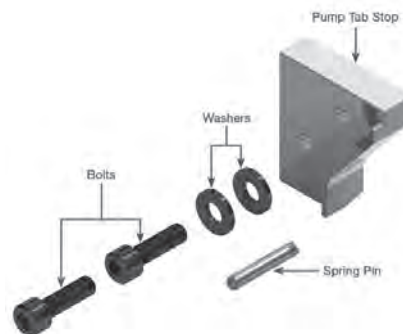
**SM312639CK** - Case Saver Kit, NP136/NP236/NP246/NP261/NP263 (Contains 8 Plastic Tabs, 1 Plate And Screws)(Sonnax)

Sonnax # 100246-02K



**SM368210AK** - Shim Kit, BW4405/BW4411 (Contains: 4 Input Bearing Shims & 4 Output Bearing Shims)(Sonnax)

Sonnax # 100567A-01K



**SM368639AK** - Case Saver / Pump Stop, BW4405/BW4411 (Contains: Plate With Bolts) (Sonnax)

Sonnax # 100912-01K



**SM368840A -4K** - Repair Kit, BW4405/BW4411 Shift Fork Guide 1995-Up (Sonnax)(Contains: Roller, Push On Retainer, & Roller Shaft)

Sonnax # 100329-01K



# REQUEST THE BEST!

## Order Genuine TeckPak-Fitzall



### Bearings

## AXLE "STABILIZER" SUPPORT BEARINGS

<p><b>Support Bearing &amp; Seal Combined!</b></p> <p>Flange stop protects final drive housing preset</p> <p>3000lb. load roller bearing.</p> <p>Drain back guarantees full bearing lubrication.</p>	<p><b>75125LRB</b></p> <p>Fits: <b>GM</b> Automatic: 125/125C (Left &amp; Right) 440-T4 (Right side only) Standard: Saginaw 4-speed &amp; 5TM40 (Left &amp; Right)</p> <p><b>TC-1.375</b> (Replacement Seal)</p>	<p><b>84125LB</b></p> <p>Fits: <b>GM</b> Automatic: 440-T4 '85-up (Left side only)</p> <p><b>TC-1.375</b> (Replacement Seal)</p> <p><i>NOTE: Use 75125LRB for the Right side.</i></p>	<p><b>94125LB</b></p> <p>Fits: <b>CADILLAC</b> Automatic: 4T80E (Left side only)</p> <p><b>330749</b> (Replacement Seal)</p> <p><i>NOTE: Some machining of the axle's inner CV Joint is required for this unit.</i></p>
<p><b>93125LRB</b></p> <p>Fits: <b>NISSAN</b> Automatic: '82-up Stanza, Pulsar Standard: '82-'90 Stanza, Pulsar</p> <p><b>15723</b> (Replacement Seal)</p>	<p><b>86125LRB</b></p> <p>Fits: <b>FORD</b> Automatic &amp; Standard: Escort '81-up, Topaz &amp; Tempo '85-up, Taurus &amp; Sable '86-up Lincoln Continental '89-up</p> <p><b>16522</b> (Replacement Seal)</p>	<p><b>32125LRB</b></p> <p>Fits: <b>CHRYSLER</b> Automatic: A404, A413, A470, A670 (Left &amp; Right) Standard: A465, A525, A520, A555, A578 - '78-up (Left &amp; Right)</p> <p><b>330749</b> (Replacement Seal)</p>	<p><b>262125LB</b></p> <p>Fits: <b>CHRYSLER</b> Automatic: 62TE (6-speed)</p> <p><b>330749</b> (Replacement Seal)</p>

## INPUT SHAFT REPAIR KITS

<b>FORD</b>	<b>CHEVY</b>	<b>DODGE</b>
<p><b>KPBG68HD</b> For 5.4L &amp; 6.8L(V-10) Gas Engines with ZF Transmissions. <b>PBG68HD</b> (Bearing &amp; Sleeve only)</p>	<p><b>KPBG53HD</b> For 4.3, 4.8, 5.3 &amp; 6.0L Gas Engines '98-up w/NP 3500/4500 Transmissions. <b>PBG53HD</b> (Bearing &amp; Sleeve only)</p>	<p><b>KPBD47HD</b> For 3.9 &amp; Early 4.7L Gas Engines where the Pilot Bearing mounts into the Flywheel. <b>PBD47HD</b> (Bearing &amp; Sleeve only)</p>
<p><b>KPBG73HD</b> For 6.9L &amp; 7.3L Diesel Engines with ZF Transmissions. 3/4 and 1 ton only. <b>PBG73HD</b> (Bearing &amp; Sleeve only)</p>	<p><b>KPBC66HD</b> For 6.6L Diesel &amp; 8.1L Gas Engines '02-up w/ZF Transmission. <b>PBC66HD</b> (Bearing &amp; Sleeve only)</p>	<p><b>KPBD57HD</b> For 3.7L / 4.0L JEEP &amp; Late 4.7L / 5.2L / 5.7L / 5.9L Dodge Gas Engines where the Pilot Bearing mounts into the Crank. <b>PBD57HD</b> (Bearing &amp; Sleeve only)</p> <p><small>Now Includes (2) Sleeves 1 = Standard size 1 = Metric size</small></p>

## SELF-ALIGNING PILOT BEARINGS

*Avoids input shaft replacement. Installs in a new location on the damaged shaft.  
Eliminates future shaft wear. Offers the smoothest shift ever!*



<p><b>PBT46HD</b> BMW &amp; TOYOTA</p>	<p><b>PBH46HD</b> HONDA, DODGE &amp; MITSUBISHI</p>	<p><b>PBC57HD</b> CHEVY RWD 4.0L &amp; ABOVE GAS ENGINE</p>	<p><b>PBI46HD</b> ISUZU PICKUP &amp; DODGE</p>	<p><b>PBM46HD</b> MERCEDES, MAZDA &amp; VOLVO</p>	<p><b>PBF50HD</b> FORD RWD 4.6L &amp; ABOVE GAS ENGINE</p>
--	---	---	--	---	--





**REQUEST THE BEST!**  
Order Genuine TeckPak-Fitzall

## Shims Domestic Applications

Engine Size In Liters	GM Years	GM (FWD/RWD)	FORD Years	FORD FWD/RWD	CHRYSLER Years	CHRYSLER MITSUBISHI FWD/RWD	JEEP Years	JEEP
1.1								
1.2								
1.3								
1.3								
1.4					80-84 (6 Hole)	SY46-25,50		
1.5					86-94	SY46-25,50		
1.6			81-85	SM420-25,50	76-90	SY46-25,50		
1.7					78-82	X		
1.8					88-96	SY46-25,50		
1.8								
1.9			86-96	SF468-25,50,89 -B				
2.0	82-89	SG628-25,50,89 -B	71-89	SF468-25,50,89 -B	78-90/94-04	SY46-25,50		
2.0	87-94 (HO)	SG643-25,50						
2.2	90-02	SG628-25,50,89 -B	86-92	SM420-25,50	82-04	SY46-25,50	64-70	X
2.2								
2.3			74-97	SF468-25,50,89 -B				
2.3	89-94	SG628-25,50,89 -B	01-up	SM420-25,50				
2.4	96-02	SG628-25,50,89 -B			90-94/00-06	SY46-25,50	02-up	X
2.4								
2.5					86-02	SY46-25,50		
2.5	77-90	SG628-25,50,89 -B	86-91/98-01	SF468-25,50,89 -B			80-98	SG628-25,50,89 -B
2.6					78-90	SY46-25,50		
2.7					02-up	SY46-25,50		
2.8	82-93	SG628-25,50,89 -B					84-86	SG628-25,50,89 -B
2.9			86-90	SF629-25,50				
3.0			86-97 (6 Hole)	SF468-25,50,89 -B	88-94/02-04 (6 Hole)	SY46-25,50		
3.0	82-88	SC857-25,50,89 -B	98-08 (8 Hole)	SF340-25,50	92-96 (8 Hole)	X		
3.1	82-93	SG628-25,50,89 -B						
3.2	62-67	SC857-25,50,89 -B			04-06	X		
3.3	89-93	SC857-25,50,89 -B			90-up	SY46-25,50		
3.4	91-97	SG628-25,50,89 -B						
3.5					93-up	SY46-25,50		
3.7					60-86	SY852-25,50,89 -B		
3.7					02-up	X	02-up	X
3.8	78-89	SG628-25,50,89 -B	82-03	SF468-25,50,89 -B	92-up	SY46-25,50	07-up	X
3.9	54-63	SC857-25,50,89 -B	65-70	SF468-25,50,89 -B	88-02	SY852-25,50,89 -B		
4.0			90-97 (6 Hole)	SF629-25,50			88-06	SY852-25,50,89 -B
4.0			98-up (8 Hole)	SF340-25,50				
4.1	75-84	SC857-25,50,89 -B	69-80	SF468-25,50,89 -B				
4.2			97-07	SF468-25,50,89 -B			72-90	X
4.3	98-up	SC866-25,50,89						
4.3	84-97	SG643-25,50						
4.6			91-97 (6 Hole)	SF468-25,50,89 -B				
4.6			98-up (8 Hole)	X				
4.7			63-68	SF468-25,50,89 -B	00-up	SY852-25,50,89 -B	99	X
4.8	98-up	SC866-25,50,89						
4.9			65-96	SF468-25,50,89 -B				
5.0	76-92	SC857-25,50,89 -B	68-00	SF468-25,50,89 -B			72-80	X
5.2					60-02	SY852-25,50,89 -B		
5.3								
5.3	98-up	SC866-25,50,89						
5.4	62-69	SC857-25,50,89 -B	97-99 (6 Hole)	SF468-25,50,89 -B			66-70	X
5.4			99-up (8 Hole)	X				
5.6					68-72	SY852-25,50,89 -B		
5.7	67-04	SC857-25,50,89 -B	(WINDSOR)	SF460-25,50,89 -B	04-up	SY810-25,50,89	68-70	X
5.8			69-91	SF468-25,50,89 -B				
5.9			68-76	SF460-25,50,89 -B	88-06 Diesel	SY810-25,50,89	72-84	SY852-25,50,89 -B
5.9					72-04 (8 cly Gas)	SY852-25,50,89 -B		
6.0	70-81	SC857-25,50,89 -B						
6.0	98-up	SC866-25,50,89	03-up Diesel	X				
6.2	82-93 Diesel	SC857-25,50,89 -B						
6.3					62-71	SY852-25,50,89 -B		
6.4			61-75	SF460-25,50,89 -B				
6.5	65-69	SC857-25,50,89 -B			72-80	SY852-25,50,89 -B		
6.5	93-01 Diesel	SC857-25,50,89 -B						
6.6	70-72	SC857-25,50,89 -B					74-78	X
6.6	98-up Diesel	SC866-25,50,89	68-79	X				
6.7	70-80	SC857-25,50,89 -B						
6.8			97-up (10 Cyl)	X				
6.9			83-88 Diesel	SF460-25,50,89 -B				
7.0	66-69	SC857-25,50,89 -B			68-71	X		
7.2					70-80	SY852-25,50,89 -B		
7.3			92-03 Diesel	SF460-25,50,89 -B				
7.4	70-97	SC857-25,50,89 -B (NOT 455)						
7.5			68-86	SF460-25,50,89 -B				
8.0					92-02	SY810-25,50,89		
8.1	98-06	SC857-25,50,89 -B						
8.3					04-up	SY810-25,50,89		

LEGEND: X = No Shim Available

-25 = 0.025 inch thick

-50 = 0.050 inch thick

-89 = 0.089 inch thick

Toll Free: 1.800.527.2544 • [www.teckpak-fitzall.com](http://www.teckpak-fitzall.com)



**REQUEST THE BEST!**  
Order Genuine TeckPak-Fitzall



## Shims Import Applications

Engine Size In Liters	Honda Years	Honda	Toyota Years	Toyota	Nissan Years	Nissan	Mazda Years	Mazda
1.1							70-82 (Wankel)	X
1.2	73-79	SH40-25.50			72-90	SN418-25.50	70	SM420-25.50
1.3	81-87	SH40-25.50			74	SN418-25.50	74-78	SM420-25.50
1.3							84-92/04-up (Wankel)	X
1.4					76-82	SN418-25.50	80	SM420-25.50
1.5	75-00	SH40-25.50	80-04	ST46-25.50 -B	80-84	SN418-25.50	82-84 / 96-98	SM420-25.50
1.6	76-00	SH40-25.50	72-97/90-97 Prizm, Sidekick	ST46-25.50 -B	67-98	SN418-25.50	96-94	SM420-25.50
1.7	01-05	X			84-86	SN418-25.50		
1.8	79-85 (6 Hole)	SH40-25.50	80-94 (6 Hole)	ST46-25.50 -B	74-88 (6 Hole)	SN418-25.50	78 / 90-04	SM420-25.50
1.8	06-up (8 Hole)	X	93-97 Prizm & Vibe 94-07 (8 Hole)	ST46-25.50 -B	00-up (8 Hole)	X		
1.9			66-70	ST46-25.50 -B				
2.0	84-up	X	72-88 (6 Hole)	ST46-25.50 -B	74-00	SN418-25.50	94-up	SM420-25.50
2.0			86-04 (8 Hole)	ST46-25.50 -B				
2.2	92-up	X	76-86 (6 Hole)	ST46-25.50 -B	76-82	SN418-25.50	82-92	SM420-25.50
2.2			90-00 (8 Hole)	ST46-25.50 -B				
2.3	92-up	X	70-72	ST46-25.50 -B			94-96	SM420-25.50
2.3							02-08	SF468-25.50 -B
2.4	03-up	X	80-94 (6 Hole)	ST46-25.50 -B	70-02 (6 Hole)	SN418-25.50		
2.4			92-06 (8 Hole)	ST46-25.50 -B	94-00 (8 Hole)	X		
2.5					84-94 (6 Hole)	SN418-25.50	94-02	SM420-25.50
2.5			88-90		00-06 (8 Hole)	X		
2.6	94-up	X	72-80	ST46-25.50 -B	74	SN418-25.50	88-92	SM420-25.50
2.7			94-up	ST46-25.50 -B				
2.8			80-88	ST46-25.50 -B	76-82	SN418-25.50		
3.0	03-up	X	84-92 (6 Hole)	ST46-25.50 -B	84-96 (6 Hole)	SN418-25.50	88-90	SM420-25.50
3.0			88-00 (8 Hole)	ST46-25.50 -B	92-00 (V-6)	X	94-up (2 Piece)	X
3.2	94-02	X						
3.3					96-04	SN418-25.50		
3.4			97-04	ST46-25.50 -B				
3.5					02-06	X		
3.9			68-74 (LandCruiser)	X				
4.0			06-up	ST46-25.50 -B	06-up	X	92-96	SF629-25.50
4.0							98-up	SF340-25.50
4.2			76-86 (LandCruiser)	X				

LEGEND: X = No Shim Available

-25 = 0.025 inch thick

-50 = 0.050 inch thick

-89 = 0.089 inch thick

### TECKPAK™ FLYWHEEL SHIMS

INSTALLS BETWEEN CRANKSHAFT AND FLYWHEEL WITH ORIGINAL BOLTS. JUST MATCH BOLT PATTERN AND INSTALL.

### TECKPAK™ SELF-ALIGNING PILOT BALL BEARINGS

AVOIDS INPUT SHAFT REPLACEMENT. INSTALLS IN NEW LOCATION ON THE WORN SHAFT. ELIMINATES FUTURE SHAFT WEAR. OFFERS THE SMOOTHEST SHIFT EVER.

