



TOP FLIGHT

A U T O M O T I V E

1984-2004 CORVETTE

Generations of Restoration, Style and Performance.



(833) 4TopFlight | TopFlightAutomotive.com



TOP FLIGHT AUTOMOTIVE

ALL YOUR FAVORITE BRANDS UNDER ONE WING!



... AND SO MANY MORE!



Top Flight Automotive
Gift Certificates Available!

TopFlightAutomotive.com

100 Classic Car Drive, Reedsville, PA 17084 • (833) 4TopFlight or (833) 486-7354



@TopFlightChevy



@topflight_gm_chevy



Top Flight Automotive



Onyx®

Since 1983, Onyx has been making high-quality Corvette covers. Onyx car covers are trusted by Generations of Corvette owners. All car covers include Mirror Pockets and a FREE Storage Bag.

ONYX CAR COVERS **3 YEAR WARRANTY**

INDOOR cover — The Onyx Car Cover is the Premium Cover for the Premium Sports Car. Made of a polyester blend that includes Lycra/Spandex, it creates the perfect combination of a Satin-like exterior feel with a luxuriously soft underside to pamper your Corvette's finish. The front & rear hems, mirror pockets and generation-specific patterns are tailored to your Corvette. Its stretchability results in a sleek, form-fitting look that is easy to slip on. Storage bag included!

52264	84-96 Onyx Satin Indoor Car Cover	\$154⁹⁹
52265	97-04 Onyx Satin Indoor Car Cover	\$154⁹⁹

Onyx®



Onyx Covers also manufactures these brands! Available on the page 212.

Call or go online today to see our complete line of products and place your order!



@Onyx Covers



@Onyx Covers



@Onyx Covers



1984 - 2004

PERFORMANCE

1985-1996 VORTEX RAMMER COLD AIR SYSTEM

Gain up to 22 horsepower!

Replace your stock Air Box with a Vortex Rammer System and gain up to 22 horsepower. The system takes pressurized air from the radiator cavity, sends it through the radiator shroud into the specially designed scoop and forces it into the sealed box of the Rammer. Installation requires just a simple cut-out on the radiator shroud. Hardware and instructions included.

- 41526** 85-89 Vortex Rammer Cold Air System - Black **\$356⁹⁹**
- 41528** 90-96 Vortex Rammer Cold Air System - Black **\$446⁹⁹**



#X2437



#X2483

1997-2004 POLISHED ALUMINUM DUAL AIR INTAKE WITH FILTERS

A proven method for gaining horsepower without major modifications. The twin high-volume filters and merged 3 1/2" polished aluminum tubes greatly increase airflow. The reusable air filters feature chromed end caps and are easy to remove for cleaning. (Filters provided may be red or blue in color.)

- X2437** 97-00 Aluminum Dual Air Intake **\$139⁹⁹**
- X2483** 01-04 Aluminum Dual Air Intake **\$139⁹⁹**
- X2616** 97-04 Aluminum Dual Air Intake Replacement Filters **\$30⁹⁹**



1997-2004 K&N AIR INDUCTION SYSTEMS

Yields 11 hp boost. K&N Filter with 10 year / million mile warranty. Legal in all 50 states. Includes all hardware & instructions.

- 50469** 97-00 Air Induction System - K&N **\$449⁹⁹**
- 50468** 01-04 Air Induction System - K&N **\$509⁹⁹**





1999-2004 STS Turbo Remote Mounted Twin Turbo System

STS Turbo systems overcome the challenges of traditional turbo installations by mounting the turbos at the rear of the car. This allows you to retain stock exhaust manifolds, catalytic converters, and mid pipes. Stock intake and throttle body can also be retained if desired. Relocating the turbos to the rear helps avoid adding additional heat under your hood and you won't have to worry about clearance or interference issues with the belts, pulleys, or accessories in the engine bay. You'll also get better weight transfer since the turbos are in the rear and not adding additional weight to the front of your vehicle. These systems include an STS Turbo specific DiabloSport inTune i3 handheld along with higher rate fuel injectors.

STS direct fit remote mount turbo systems come complete with all the components needed for an OEM quality installation.

- 57470** 99-00 Remote Mounted Twin Turbo System **\$6995⁹⁹**
- 57471** 01-04 Remote Mounted Twin Turbo System **\$6995⁹⁹**

- Patented remote-vehicle design (U.S. Patent 6,745,568) offers a true bolt-on, twin turbo solution producing increased horsepower and torque across a very broad power curve.
- Remote-vehicle design eliminates increased under hood temps by having the turbos in back while also decluttering the engine bay so normal repairs and upgrades can be done without removing turbochargers and tubing.
- These turbo systems do not modify or affect factory emissions devices.
- Provides a unique performance sound since the turbos act as a muffler while turbo spool and rushing air from the blow-off valve make a distinctive sound that's sure to turn heads! No need for expensive headers, mufflers, or exhaust systems.
- No need for major vehicle modifications as each system is designed to attach to factory mounts.
- Mounted in place of the stock mufflers, our system is custom engineered to spool quickly, while eliminating all of the installation and excess heat issues of a front-mounted turbo system.
- The turbos utilize wasted energy leaving your tailpipe and many see 1-3 mpg increase in gas mileage compared to their original stock mpg numbers along with lower emissions.
- Systems include front mounted air-to-air intercooler and utilizes 304 stainless steel tubing for maximum strength and reduced weight.
- Approximately 500° F lower turbo temperatures eliminates the need for a turbo-timer, which requires the engine to run after the car is shut off in order to cool down the turbo and prevent oil and bearing damage.
- Turbos are exposed to ambient air rather than under-hood air which allows for better cooling of turbo components. Denser exhaust gasses drive the turbine wheel more efficiently.
- Offers better weight transfer and increases traction because majority of the system is mounted in rear rather than up front
- System includes everything for a complete installation: turbochargers, wastegate, blow off valve, intercooler, all tubing, hardware, along with detailed instructions.



WARNING: Cancer and Reproductive Harm - www.P65Warnings.ca.gov

(833) 4TopFlight | TopFlightAutomotive.com





1992-1996 CHAMBERED EXHAUST SYSTEMS

Add a more muscular sound to your C4 Corvette with a Chambered & Straight Aluminized Exhaust Systems. Constructed of 2.5" or 2.75" pipe (depending on system selected), the center sections of these dual systems feature an H-Pipe design, which produces a sound similar to the distinctive note of the 1965-1967 side exhausts.

These systems are specifically designed for the C4 and also feature LT-1 or Stainless Steel tips for a high performance look to match their sound. Systems install just behind the catalytic converters.

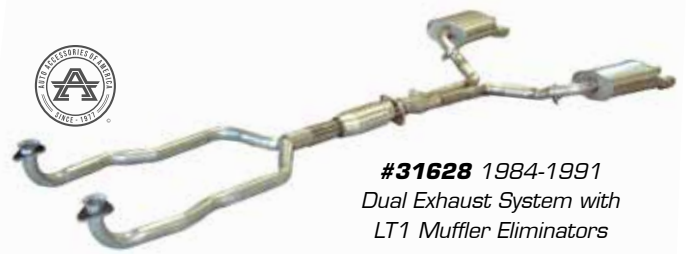
31636	92-95	Chambered Exhaust System w/ LT1 Muffler Eliminators	\$629⁹⁹
31637	96	Chambered Exhaust System w/ LT1 Muffler Eliminators	\$641⁹⁹
31638	92-95	Chambered Exhaust System w/ Stainless Steel Tip Eliminators	\$590⁹⁹
31639	96	Chambered Exhaust System w/ Stainless Steel Tip Eliminators	\$590⁹⁹

1992-1996 STRAIGHT EXHAUST SYSTEMS

31640	92-95	Straight Exhaust System w/ Stainless Steel Tip Eliminators	\$497⁹⁹
31641	96	Straight Exhaust System w/ Muffler Eliminators - LT1 Tips	\$485⁹⁹
31642	92-95	Straight Exhaust System w/ LT1 Tip Eliminators	\$479⁹⁹
31643	96	Straight Exhaust System - w/ Magnaflow Mufflers - LT1 Tips	\$649⁹⁹
31644	92-95	Straight Exhaust System w/ LT1 Magnaflow Mufflers	\$651⁹⁹
31645	96	Straight Exhaust System w/ Stainless Steel Tip Eliminators	\$499⁹⁹



#31634 1984-1985
Cat-Back Exhaust System
with Magnaflow Mufflers
and LT1 Tips

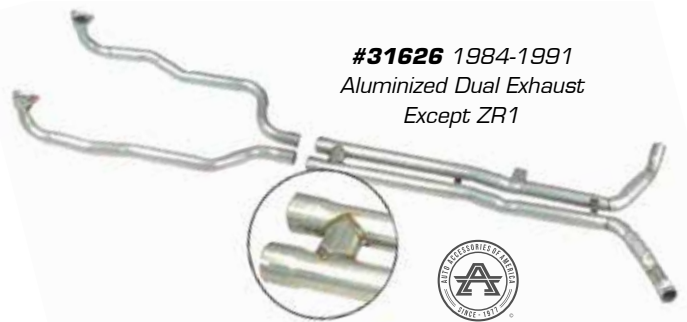


#31628 1984-1991
Dual Exhaust System with
LT1 Muffler Eliminators

1984-1991 EXHAUST SYSTEMS

With Converters

31627	84-91	Dual Exhaust System w/ LT1 Tip Magnaflow Mufflers	\$658⁹⁹
31628	84-91	Dual Exhaust System - w/ LT1 Muffler Eliminators	\$689⁹⁹
31629	84-91	Dual Exhaust System - w/ Dual Tip Muffler Eliminators	\$693⁹⁹
31618	84	Exhaust System - w/ Converter - w/o Hangers	\$884⁹⁹
31619	85	Exhaust System - w/ Converter - w/o Hangers	\$884⁹⁹
31621	86-90	Exhaust System - w/ Center Converter only - Exc ZR1	\$1009⁹⁹



#31626 1984-1991
Aluminized Dual Exhaust
Except ZR1



Without Converters

31626	84-91	Exhaust Pipe - Aluminized Dual Exc ZR1	\$336⁹⁹
31623	86-90	Exhaust System - Exc ZR1	\$882⁹⁹
31624	91	Exhaust System	\$853⁹⁹



#31630 1984
Cat-Back Exhaust System with
Reproduction Mufflers

1984-1991 CAT-BACK EXHAUST SYSTEMS

31630	84	Cat-Back Exhaust System - w/ Repro. Mufflers	\$490⁹⁹
31631	85	Cat-Back Exhaust System - w/ Repro. Mufflers	\$599⁹⁹
31632	86-90	Cat-Back Exhaust System - w/ Repro. Mufflers	\$509⁹⁹
31633	91	Cat-Back Exhaust System - w/ Repro. Mufflers	\$499⁹⁹
31634	84-85	Cat-Back Exhaust System w/ Magnaflow Mufflers, LT1 Tips	\$548⁹⁹
31635	86-91	Cat-Back Exhaust System w/ Magnaflow Mufflers, LT1 Tips	\$550⁹⁹





#53000 1986-1990
Flowmaster Force II Dual
Cat-Back System



**1997-2004 FLOWMASTER FORCE II
AXLE-BACK EXHAUST SYSTEM**

The Force II system is designed to replace the original factory mufflers located behind the rear axle using factory style connections. With easy fit in mind, these stainless steel systems are mandrel-bent for maximum performance, feature specially-engineered 80 Series mufflers that have a deep moderate performance tone outside the car, with little to no interior resonance in the cab. The system uses the factory hangers and are finished off with quad 3.00-inch polished 304 stainless steel tips. Includes all necessary parts, hardware and instructions for a quick and easy installation.

53004 97-04 Axle-Back - Dual Rear Exit - Flowmaster Force II
Mild/Moderate Sound - 5.7L V8 pr.....**\$964⁹⁹**



#53011 1992-1996
Flowmaster Force II Dual
Cat-Back System

#53019 1984-1990
Flowmaster 50 Series Muffler - LH



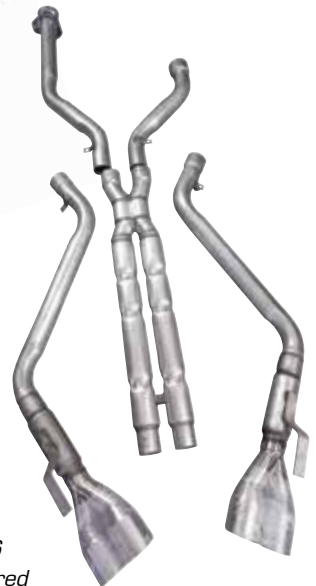
#53030 1992-1996
Flowmaster Catalytic Converter - LH



#57299 1997-2004
Sweet Thunder Chambered
Cat-Back Exhaust System



#57298 1992-1996
Sweet Thunder Chambered
Cat-Back Exhaust System



1986-1996 FLOWMASTER EXHAUST SYSTEMS

- 53000** 86-90 Flowmaster Force II Cat-Back Exhaust System -
50 Series Delta Flow Mufflers w/ 2.5" SS Tips -
Mild Sound - 5.7 Liter - 3"/2.25".....**\$626⁹⁹**
- 53011** 92-96 Flowmaster Force II Cat-Back Exhaust System -
60 Series Delta Flow Mufflers - Moderate Sound -
5.7 Liter - Emissions Legal for LT1 & LT4**\$931⁹⁹**

1986-1996 FLOWMASTER CATALYTIC CONVERTERS

- 53030** 92-96 Flowmaster Cat. Converter - Direct Fit - 5.7 Liter
Exc ZR1 - Not Legal in Calif. - LH.....**\$252⁹⁹**
- 53031** 92-96 Flowmaster Cat. Converter - Direct Fit - 5.7 Liter
Exc ZR1 - Not Legal in Calif. - RH.....**\$269⁹⁹**
- 53034** 86-91 Flowmaster Cat. Converter - w/ Pre-Cat. Eliminator -
5.7 Liter - Exc ZR1 - Not Legal in Calif.**\$332⁹⁹**

**1992-2004 SWEET THUNDER CHAMBERED
CAT-BACK EXHAUST SYSTEMS**

Wake up your Corvette with a direct bolt-in replacement for your power robbing cats with built-in X pipe for added horsepower. Not for use on emission controlled vehicles.

- 57298** 92-96 Sweet Thunder Chambered Cat-Back Exhaust.....**\$923⁹⁹**
- 57299** 97-04 Sweet Thunder Cat-Back Chambered Exhaust.....**\$988⁹⁹**



WARNING: Cancer and Reproductive Harm -
www.P65Warnings.ca.gov

(833) 4TopFlight | TopFlightAutomotive.com





#57422 1997-2004
Hooker BlackHeart 3" Axle-Back
Exhaust with Mufflers



#57423 1997-2004
Hooker BlackHeart 3" Axle-Back
Exhaust w/o Mufflers

1997-2004 HOOKER BLACKHEART 3" AXLE-BACK EXHAUST SYSTEMS

Hooker continues to push the boundaries of performance with the BlackHeart line of exhaust products. We are proud to offer these axle-back exhaust systems for 97-04 C5 Corvettes. These 304 stainless steel, 3" axle-backs are engineered to offer both premium fitment and maximum performance from your 5.7L engine.

57422 97-04 BlackHeart 3" Axle-Back System with Mufflers	\$870⁹⁹
57423 97-04 BlackHeart 3" Axle-Back System w/o Mufflers	\$707⁹⁹



1997-2004 HOOKER BLACKHEART 3" HEADER BACK EXHAUST SYSTEMS WITH X-PIPE AND MUFFLERS

Race Only header-back exhaust system for 97-04 C5 Corvettes. This 304 stainless steel, 3" header-back is engineered to offer both premium fitment and maximum performance from your 5.7L engine. Bolts up directly to Hooker BlackHeart C5 Long Tube Headers. Dual, polished 304 stainless steel, high-flow straight through muffler design.

57424 97-04 BlackHeart 3" Header Back System with X-Pipe and Mufflers	\$1349⁹⁹
---	----------------------------



1997-2004 HOOKER BLACKHEART 3" CAT-BACK EXHAUST SYSTEMS WITH MUFFLERS

Cat-back exhaust system for 97-04 C5 Corvettes. This 304 stainless steel, 3" header-back is engineered to offer both premium fitment and maximum performance from your 5.7L engine. Constructed from 3" lightweight, 18-gauge, mandrel bent, 304 stainless steel maximizing strength and durability.

57425 97-04 BlackHeart 3" Cat-Back System with Mufflers	\$1299⁹⁹
--	----------------------------





1997-2004 HOOKER BLACKHEART LONG TUBE HEADERS

These long tube headers are manufactured out of 304 stainless steel and feature either 1-7/8" or 1 3/4" primary tubes with 3" collectors. Engineered to offer both premium fitment and maximum performance from your 5.7L engine. Quality hand-welded construction for strength, longevity and good looks. All hardware included.

- 57426** 97-04 Long Tube Headers - 1 7/8" Primary Tube**\$979⁹⁹**
- 57428** 97-04 Long Tube Headers - 1 3/4" Primary Tube**\$899⁹⁹**

1997-2004 HOOKER BLACKHEART TRI-Y LONG TUBE HEADERS

TRI-Y design for a broad torque curve and excellent horsepower. These headers feature 1-7/8" primary tubes with 3" collectors, and are engineered to offer both premium fitment and maximum performance from your 5.7L engine. Quality hand-welded construction for strength, longevity and good looks. All hardware included.

- 57429** 97-00 BlackHeart Tri-Y Long Tube Headers**\$1287⁹⁹**
- 57489** 01-04 BlackHeart Tri-Y Long Tube Headers**\$1287⁹⁹**



1997-2004 HOOKER BLACKHEART SHORTY HEADERS

These shorty headers are manufactured out of 304 stainless steel and feature 1-3/4" primary tubes. Engineered to offer both premium fitment and maximum performance from your 5.7L engine. Quality hand-welded construction for strength, longevity and good looks. 100% bolt-on with no modifications necessary. All hardware included.

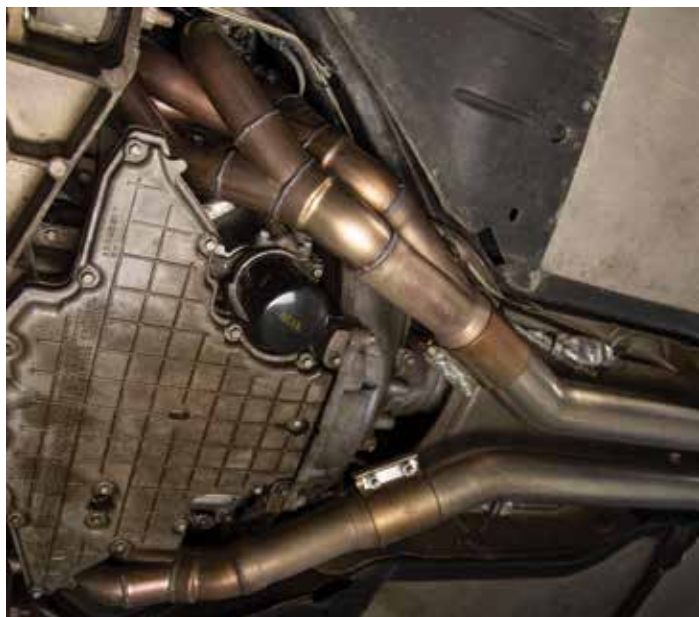
- 57427** 97-04 BlackHeart Shorty Headers**\$799⁹⁹**



1997-2004 HOOKER CLASSIC UNIV. HEADER GASKETS

Hooker's precision-matched Super Competition header gaskets provide a sure fit and unmatched exhaust sealing. This OEM quality gasket is constructed of a thick (.060") high temperature, synthetic hi-temperature gasket material with a perforated steel core, which provides a superior grip and adhesion. This construction also contributes to exact fit compliance between the cylinder head and header flange, offering excellent sealing properties during extreme temperature and operating conditions. Sold in pairs.

- 57421** 97-04 Hooker Classic Universal Head Gaskets**\$14⁹⁹**





1986-1991 BORLA "S-TYPE" CAT-BACK EXHAUST

BORLA Performance Industries Cat-Back system for 1986-1991 Corvettes equipped with a 5.7L V-8 engine has been engineered to work with either the popular manual transmission or the automatic. The premium, high-quality, T-304 Austenitic stainless steel system is easy to bolt on, is a direct replacement for the much heavier stock system. Will not fit ZR1.

57500 86-91 Borla "S-Type" Cat-Back Exhaust System.....**\$913⁹⁹**



1992-1996 BORLA CAT-BACK EXHAUST WITH LT1 TIPS

System features polished T-304 stainless steel and patented straight-through and multi-core technology to unleash hidden horsepower. Increased exhaust velocity adds power, driving excitement, fuel economy, and the distinctive BORLA Sound of Power respected by motoring enthusiasts everywhere.

57498 92-96 Borla Cat-Back Exhaust System**\$1363⁹⁹**



1997-2004 BORLA "ATAK" SERIES CAT-BACK EXHAUST SYSTEM

System features polished T-304 stainless steel tips. BORLA Cat-Back & Axle-Back exhaust systems feature patented straight-through and multi-core technology to unleash hidden horsepower. Increased exhaust velocity adds power, driving excitement, fuel economy, and the distinctive BORLA Sound of Power respected by motoring enthusiasts everywhere. .

57490 97-04 Borla Atak Cat-Back Exhaust System.....**\$1319⁹⁹**



1984-1991 BORLA "S-TYPE" AXLE-BACK EXHAUST

Axle-Back system converts your '84-'91 Corvette from the stock 2.25" system to a more aggressive, 2.5" system. Features polished intercooled T-304 stainless steel tips. To complete this conversion you will need to order a Y-Pipe assembly.

57499 84-91 Borla "S-Type" Axle-Back Exhaust System.....**\$913⁹⁹**



1997-2004 BORLA CAT-BACK "S TYPE" EXHAUST SYSTEM

S-Type Classic sound. BORLA Performance has created quite a buzz with Vette owners! This popular 2-tip Cat-Back features "S-Type" mufflers, giving a more aggressive sound and higher flow. Moderate Loudness.

57492 97-04 Borla Cat-Back "S Type" Exhaust System with Dual 4.5" Polished Tips**\$699⁹⁹**

57493 97-04 Borla Cat-Back "S Type" Exhaust System with Quad 4" Polished Tips**\$1014⁹⁹**

57494 97-04 Borla Cat-Back "S Type" Exhaust System with Quad Oval Polished Tips.....**\$1014⁹⁹**





1997-2004 BORLA AXLE BACK STRAIGHT THRU EXHAUST

BORLA straight pipe exhaust system eliminates the mufflers and features polished T-304 stainless steel tips. Not for the faint of heart, a very aggressive exhaust note!! Very Loud.

57491 97-04 Borla Axle-Back Straight Exhaust **\$507⁹⁹**



1997-2004 BORLA CAT-BACK "TOURING" EXHAUST SYSTEM

The S-Type II systems use the latest muffler design to eliminate sound frequencies are often associated with resonance or drone. System features polished T-304 stainless steel tips. Mild Loudness.

57496 97-04 Borla Cat-Back "Touring" Exhaust System with Quad Oval Polished Tips..... **\$1369⁹⁹**



1997-2004 BORLA CAT-BACK "S TYPE 2" EXHAUST SYSTEM

The S-Type II systems use the latest muffler design to eliminate sound frequencies are often associated with resonance or drone. System features polished T-304 stainless steel tips. Moderate Loudness.

57495 97-04 Borla Cat-Back "S Type 2" Exhaust System with Quad Oval Polished Tips..... **\$1319⁹⁹**



1997-2004 BORLA 2.5" SLIP FIT X-PIPE

This performance X-Pipe creates power while adding a great sound to the C5 exhaust systems. Extremely simple, bolt-in replacement for the factory mid-pipe that further enhances that famous BORLA growl of power.

57497 97-04 Borla 2.5" Slip Fit X-Pipe..... **\$238⁹⁹**



WARNING: Cancer and Reproductive Harm - www.P65Warnings.ca.gov

(833) 4TopFlight | TopFlightAutomotive.com





#58116 1997-2004
Axle-Back Dual Rear Exit with Twin
3.5" Polished Pro-Series Tips



#58139 1997-2004
Cat-Back Dual Rear Exit with Twin
4.0" Black PVD Pro-Series Tips

1984-2004 Corsa Performance Exhaust

CORSA's patented reflective sound cancellation (RSC) technology allows acoustic engineers to create a drone free exhaust sound, styled specifically to fit the personality of your vehicle. Each system is designed to increase vehicle performance, deliver an aggressive sound under acceleration and a drone-free experience during cruise. Performance gains are not affected by sound choice. Corsa exhaust flows 140% better than stock, is much lighter than stock and bolts on with ease.

1997-2004 Corsa Exhaust - Sport Sound

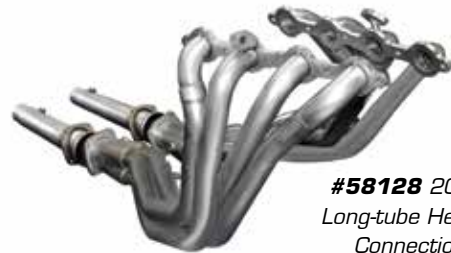
58116	97-04	Corsa 2.5" Axle-Back Dual Rear Exit with Twin 3.5" Polished Pro-Series Tips - Sport Sound	\$1500⁹⁹
58120	97-04	Corsa 2.5" Axle-Back Dual Rear Exit with Tigershark 3.5" Polished Pro-Series Tips - Sport Sound	\$1564⁹⁹
58130	97-04	Corsa 2.5" Axle-Back Dual Rear Exit with Twin 3.5" Black PVD Pro-Series Tips - Sport Sound	\$1654⁹⁹
58131	97-04	Corsa 2.5" Cat-Back Dual Rear Exit with X-Pipe and Twin 3.5" Polished Pro-Series Tips - Sport Sound	\$1703⁹⁹
58132	97-04	Corsa 2.5" Cat-Back Dual Rear Exit with X-Pipe and Twin 3.5" Black PVD Pro-Series Tips - Sport Sound	\$1842⁹⁹
58135	97-04	Corsa 2.5" Axle-Back Dual Rear Exit with Tigershark 3.5" Black PVD Pro-Series Tips - Sport Sound	\$1713⁹⁹
58136	97-04	Corsa 2.5" Cat-Back Dual Rear Exit with X-Pipe and Tigershark 3.5" Polished Pro-Series Tips - Sport Sound	\$1761⁹⁹
58137	97-04	Corsa 2.5" Cat-Back Dual Rear Exit with X-Pipe and Tigershark 3.5" Black PVD Pro-Series Tips - Sport Sound	\$1894⁹⁹

1986-1996 Corsa Exhaust - Sport Sound

58140	86-91	Corsa 2.5" Cat-Back Dual Rear Exit with Twin 3.5" Polished Pro-Series Tips - Sport Sound	\$1234⁹⁹
58141	92-95	Corsa 2.5" Cat-Back Dual Rear Exit with Twin 3.5" Polished Pro-Series Tips - Sport Sound	\$1613⁹⁹
58142	90-95	Corsa 2.5" Cat-Back Dual Rear Exit with Twin 3.5" Polished Pro-Series Tips - Sport Sound - ZR1	\$1613⁹⁹
58143	96	Corsa 2.5" Cat-Back Dual Rear Exit with Twin 3.5" Polished Pro-Series Tips - Sport Sound - GS	\$1575⁹⁹
58144	86-91	Corsa 2.5" Cat-Back Dual Rear Exit with Twin 3.5" Black PVD Pro-Series Tips - Sport Sound	\$1433⁹⁹
58145	92-95	Corsa 2.5" Cat-Back Dual Rear Exit with Twin 3.5" Black PVD Pro-Series Tips - Sport Sound	\$1849⁹⁹
58146	90-95	Corsa 2.5" Cat-Back Dual Rear Exit with Twin 3.5" Black PVD Pro-Series Tips - Sport Sound - ZR1	\$1849⁹⁹
58147	96	Corsa 2.5" Cat-Back Dual Rear Exit with Twin 3.5" Black PVD Pro-Series Tips - Sport Sound - GS	\$1850⁹⁹

1997-2004 Corsa Exhaust - Xtreme Sound

58117	97-04	Corsa 2.5" Cat-Back Dual Rear Exit with Twin 3.5" Polished Pro-Series Tips - Xtreme Sound	\$1586⁹⁹
58119	97-04	Corsa 2.5" Axle-Back Dual Rear Exit with Twin 3.5" Polished Pro-Series Tips - Xtreme Sound	\$1235⁹⁹
58121	97-04	Corsa 2.5" Axle-Back Dual Rear Exit with Twin 4.0" Polished Pro-Series Tips - Xtreme Sound	\$1323⁹⁹
58122	97-04	Corsa 2.5" Cat-Back Dual Rear Exit with Twin 4.0" Polished Pro-Series Tips - Xtreme Sound	\$1586⁹⁹
58133	97-04	Corsa 2.5" Cat-Back Dual Rear Exit with X-Pipe and Twin 3.5" Black PVD Pro-Series Tips - Xtreme Sound	\$1777⁹⁹
58134	97-04	Corsa 2.5" Cat-Back Dual Rear Exit with Twin 3.5" Black PVD Pro-Series Tips - Xtreme Sound	\$1403⁹⁹
58138	97-04	Corsa 2.5" Axle-Back Dual Rear Exit with Twin 4.0" Black PVD Pro-Series Tips - Xtreme Sound	\$1486⁹⁹
58139	97-04	Corsa 2.5" Cat-Back Dual Rear Exit with X-Pipe and Twin 4.0" Black PVD Pro-Series Tips - Xtreme Sound	\$1739⁹⁹



#58128 2001-2003
Long-tube Headers with
Connection Pipes

1997-2004 Corsa Headers and Connection Pipes

58123	97-00	Corsa Long Tube Headers - 1.75" Primary Diameter, 3" Collector Diameter	\$1131⁹⁹
58124	01-03	Corsa Long Tube Headers - 1.75" Primary Diameter, 3" Collector Diameter	\$1131⁹⁹
58125	04	Corsa Long Tube Headers - 1.75" Primary Diameter, 3" Collector Diameter	\$1131⁹⁹
58127	97-00	Corsa Long Tube Headers with Connection Pipes	\$1337⁹⁹
58128	01-03	Corsa Long Tube Headers with Connection Pipes	\$1337⁹⁹
58129	04	Corsa Long Tube Headers with Connection Pipes	\$1337⁹⁹
58126	97-04	Corsa Exhaust Connection Pipes	\$307⁹⁹
58118	97-04	Corsa 2.5" X-Pipe	\$392⁹⁹





With race inspired technology built into every system, you're looking at the very best the performance exhaust industry has to offer. American Racing Headers C5 Systems are available with 1-3/4", 1-7/8" or 2" primaries with catted or non-catted X-pipe mid-section. The 1-3/4" mid-sections have a 2-1/2" reduction at the flange to connect to stock system. Of course, these are manufactured using the highest quality 304 S/S available and require no modifications to install.

1997-2004 Borla ARH Exhaust Systems

58572	97-00	ARH 1 3/4" x 3" X-Long Exhaust System - w/ Cats.....	\$2111⁹⁹
58573	97-00	ARH 1 7/8" x 3" X-Long Exhaust System - w/ Cats.....	\$2157⁹⁹
58574	97-00	ARH 2" x 3" X-Long Exhaust System - w/ Cats.....	\$2267⁹⁹
58575	97-00	ARH 1 3/4" x 3" X-Long Exhaust System - No Cats.....	\$1913⁹⁹
58576	97-00	ARH 1 7/8" x 3" X-Long Exhaust System - No Cats.....	\$1942⁹⁹
58577	97-00	ARH 2" x 3" X-Long Exhaust System - No Cats.....	\$2052⁹⁹
58578	97-00	ARH 1 3/4" x 3" X-Long Exhaust System - w/ Cats.....	\$2111⁹⁹
58579	97-00	ARH 1 7/8" x 3" X-Long Exhaust System - w/ Cats.....	\$2157⁹⁹
58580	97-00	ARH 2" x 3" X-Long Exhaust System - w/ Cats.....	\$2267⁹⁹
58581	97-00	ARH 1 3/4" x 3" X-Long Exhaust System - No Cats.....	\$1913⁹⁹
58582	01-03	ARH 1-7/8" x 3" Long Exhaust System - No Cats.....	\$1942⁹⁹
58583	01-03	ARH 2" x 3" X-Long Exhaust System - No Cats.....	\$2052⁹⁹
58584	04	ARH 1 3/4" x 3" X-Long Exhaust System - w/ Cats.....	\$2111⁹⁹
58585	04	ARH 1 7/8" x 3" X-Long Exhaust System - w/ Cats.....	\$2157⁹⁹
58586	04	ARH 2" x 3" X-Long Exhaust System - w/ Cats.....	\$2267⁹⁹
58587	04	ARH 1 3/4" x 3" X-Long Exhaust System - No Cats.....	\$1913⁹⁹
58588	04	ARH 1 7/8" x 3" X-Long Exhaust System - No Cats.....	\$1942⁹⁹
58589	04	ARH 2" x 3" X-Long Exhaust System - No Cats.....	\$2052⁹⁹



1997-2004 Carbon Fiber Rear Wing

Spanning 67 (or 61) inches over its optimized 3D airfoil shape, the APR Performance GTC-300 Adjustable Wing supplies maximum downforce in sports and touring car applications.

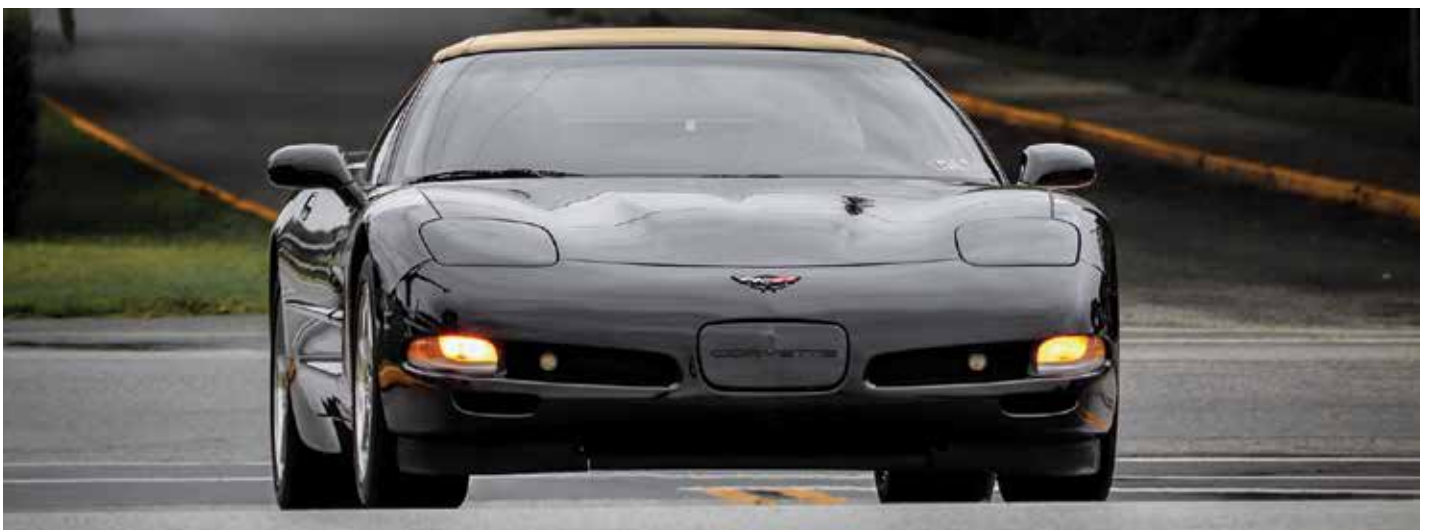
52832 97-04 Adjustable Wing - GTC-300..... **\$1698⁹⁹**



1997-2004 Carbon Fiber Splitter w/ Rods

APR Performance front wind splitters integrate with the front bumper to reduce front-end lift and increase high-speed stability. APR Performance front wind splitters are highly-effective at balancing the front-vs-rear downforce when used on conjunction with APR Performance adjustable wings. Adjustable stainless-steel support rods included.

52800 97-04 APR Carbon Fiber Wind Splitter With Rods - ea **\$435⁹⁹**



WARNING: Cancer and Reproductive Harm - www.P65Warnings.ca.gov

(833) 4TopFlight | TopFlightAutomotive.com





**1997-2004 aFe CONTROL JOHNNY O'CONNELL
SUSPENSION PACKAGE**

Package Tuned by Legendary Corvette Racer, Johnny O'Connell. Bolt-On Shocks Keep the Car Planted & Remove Harsh Ride Characteristics. CNC-Bent 4130 Chromoly 35mm Front Bar and 29mm 3-Way Adjustable Rear Bar. Includes Polyurethane Bushings. Heavy Duty Rod End End links and CNC Machined Articulation Spacers. aFe Control is proud to introduce the Johnny O'Connell Stage 1 Package for the 1997-2004 C6 Corvette. Tuned by legendary 4 time Le Mans winner, Johnny O'Connell. This package features sway bars and shocks designed to provide your Corvette with racecar level road holding ability and the street-ability you would expect from your daily driver. The 4130 Chromoly tubular sway bars, include polyurethane bushings, heavy duty end links and come in Johnny O's signature yellow. The rear bar is 3 way adjustable, allowing for fine tuning the suspension. Perfectly matched to the Johnny O'Connell shock absorbers, the Johnny O'Connell stage 1 Package will make for a complete transformation in your C5 Corvette's performance, offering flatter, faster cornering and added car control. Perfectly balanced, aFe products will have your Corvette handling just as good at the track as it will around town. These shocks are a bolt-on solution for your Corvette and are tuned by Johnny O'Connell to the exact specifications needed for a perfect balance between performance and smooth ride. O.E. Style Fitment: All O.E. mounting points have been retained for durability and a hassle-free installation. Revised Damping Curve: The damping curve has been completely revised, removing the harsh, high speed ride characteristics associated with OEM dampers, while offering increased "platform" to keep the car planted in turns or transition inputs like slalom or road courses. Note: Some vehicles equipped with "Mag Ride" electronic shock absorbers will require an additional delete kit, part #52746.

52721 97-04 aFe Control Johnny O'Connell Stage 1 Suspension Package.....**\$1394⁹⁹**

**1997-2004 aFe CONTROL JOHNNY O'CONNELL
SWAY BAR SET**

CNC Bent, 4130 Chromoly 35mm Front Bar & 29mm 3 Way Adjustable Rear Bar. Tuned by Legendary Corvette Racer, Johnny O'Connell. Polyurethane Bushings; Heavy Duty Rod End End links & CNC-Machined Articulation Spacers. Direct Fit Installation Requires No Modifications. Yellow Powder-Coated Finish. aFe Control is proud to introduce the Johnny O'Connell Sway Bar set for the 2005-13 Corvette C6. Tuned by Johnny O'Connell himself, these 4130 Chromoly tubular sway bars include polyurethane bushings, heavy duty end links and come in Johnny O's signature yellow. The rear bar is 3-way adjustable, allowing for fine tuning the suspension. Perfectly matched to the Johnny O'Connell shock absorbers, the sway bars will make for a complete transformation in your C6 Corvette's handling, offering flatter, faster cornering and added car control. Perfectly balanced, aFe Control sway bars will have your Corvette handling just as good at the track as it will around town.

52720 97-04 aFe Control Johnny O'Connell Sway Bar Set**\$748⁹⁹**



Call or go online today to see our complete product line and to place your order!





1997-2004 aFe CONTROL PFADT SERIES DRAG RACING REAR SWAY BARS

4130 Chromoly 31.75mm 3-Way Adjustable Rear Bar. Ultra-Lightweight Anodized 7050-T7 Aluminum Arms. Includes 6061-T6 Aluminum Solid Pillow Block Rear Bushing Mounts and Solid Nylon Bushings. Lightweight 3/8" Rod End End links, Aluminum Turn Buckles and Articulation Spacers.



Direct Fit Installation Requires No Modifications. aFe Control is proud to introduce the PFADT Series Drag Racing Rear Sway Bar for the 2005-13 C5 Corvettes. The PFADT Series Drag Racing Rear Sway Bar was designed for those that are looking for the ultimate drag race sway bar for their Corvette. The addition of a stiff rear sway bar reduces the independence of the rear suspension increasing traction of both rear tires. The PFADT Series Drag Racing Rear Sway Bar is the ultimate upgrade for improving launch performance. This 3-piece sway bar utilizes a 4130 Chromoly torsion bar with splined ends and a clear zinc finish for corrosion resistance and durability. The kit features ultra-lightweight 7050-T7 aluminum arms that are anodized orange and feature broached splines with laser etched adjustment markers giving you 3 different sway bar rate combinations. The adjustable end links are designed to be lightweight and strong while allowing maximum articulation. The use of a turnbuckle allows precise corner balancing without having to disconnect the end link from the car. Included in the kit are solid 6061-T6 pillow block bushing mounts and Moly (Molybdenum) impregnated nylon bushings. The kit comes complete with all necessary hardware & centering rings. The PFADT Series Drag Racing Rear Sway Bar was designed to be the perfect addition to Corvette race cars and is not intended to be driven on the street, or public roads.

52723 97-04 aFe Control Pfadt Series Drag Racing Rear Sway Bar **\$1179⁹⁹**

1997-2004 aFe CONTROL PFADT SERIES RACING SWAY BARS

Provides Flat Cornering & Increased Contact Patch for Higher Cornering Force; 4130 Chromoly 38mm 3-Way Adjustable Front Bar / 31.75mm 3-way Adjustable Rear. Ultra-Lightweight Anodized 7050-T7 Aluminum Arms. Includes High Durometer Polyurethane



Bushings. Lightweight 3/8" Rod End End links, Aluminum Turn Buckles & Articulation Spacers. Direct Fit Installation Requires No Modifications. aFe Control is proud to introduce the PFADT Series Heavy Rate Racing Sway Bars for the C5. The PFADT Series Racing Sway Bars are designed for those that are looking for the ultimate Corvette racing sway bars. These 3-piece sway bars utilize a 4130 Chromoly torsion bar with splined ends and a clear zinc finish for corrosion resistance & durability. Both front and rear bars feature lightweight 7050-T7 aluminum arms that are anodized orange and feature broached splines and laser etched adjustment markers. Both front & rear sway bars are 3 position adjustable giving you 9 different sway bar rate combinations. The adjustable end links are designed to be lightweight and strong, while allowing maximum articulation. The use of a turnbuckle allows precise corner balancing without having to disconnect the end link from the car. The kit comes complete with all necessary hardware, centering rings and polyurethane bushings. For track only applications, we also offer solid pillow block bushings and mounts. The PFADT Series Racing Sway Bars were designed to be the perfect addition to Corvette race cars. You will find a new level of responsiveness and cornering grip that was never before possible.

52724 97-04 aFe Control Pfadt Series Racing Sway Bars - Heavy Rate **\$1824⁹⁹**



WARNING: Cancer and Reproductive Harm - www.P65Warnings.ca.gov

(833) 4TopFlight | TopFlightAutomotive.com





1997-2004 DOUBLE ADJUSTABLE COILOVER SPRINGS

- 52921** 97-04 Double Adjustable Coilover System - 450# Springs - Base, Z06, Grand Sport, ZR1 & 427 **\$2199⁹⁹**
- 52922** 97-04 Double Adjustable Coilover System - 550# Springs - Base, Z06, Grand Sport, ZR1 & 427 **\$2199⁹⁹**
- 52923** 97-04 Double Adjustable Coilover System - 650# Springs - Base, Z06, Grand Sport, ZR1 & 427 **\$2199⁹⁹**



1997-2004 RACING ADJUSTABLE FRONT SWAY BAR END LINKS

- 52939** 97-04 C5 Racing Adjustable Front Sway Bar End Links **\$139⁹⁹**



1997-2004 RACING ADJUSTABLE REAR BUMP STEER KIT

- 52940** 97-04 C6 Racing Adjustable Rear Bump Steer Kit **\$389⁹⁹**



1997-2004 FRONT TUBULAR SWAY BAR, 2 HOLE KIT WITH WELDED RINGS - 32MM

- 52936** 97-04 Front Tubular Sway Bar, 2 Hole Kit with Welded Rings - 32mm **\$429⁹⁹**



1997-2004 35MM FRONT TUBULAR SWAY BAR, 2 HOLE KIT WITH WELDED RINGS

- 52937** 97-04 35mm Front Tubular Sway Bar, 2 Hole Kit with Welded Rings **\$429⁹⁹**



1997-2004 25.4MM ADJUSTABLE TUBULAR REAR SWAY BAR

- 52938** 97-04 C6 - 25.4mm Adjustable Tubular Rear Sway Bar **\$399⁹⁹**



1997-2004 EIBACH SUSPENSION UPGRADES

- 57670** 97-04 Eibach Lowering Kit **\$88⁹⁹**
- 57671** 97-04 Eibach Rear Sway Bar **\$291⁹⁹**





1997-2004 RAFT/VAN STEEL - TOURING 1.1 KIT

52924 97-04 RAFT/Van Steel - Touring 1.1 Kit - All \$2299⁹⁹



1997-2004 ADVANCED TRACK SUSPENSION KIT

52928 97-04 Advanced Track Suspension Kit - Base & Z06 \$8699⁹⁹



1997-2004 RAFT/VAN STEEL - TOURING 1.2 KIT

52925 97-04 RAFT/Van Steel - Touring 1.2 Kit - All \$4299⁹⁹

1997-2004 VAN STEEL/HARD BAR DELRIN CONTROL ARM BUSHING KIT - STEEL FRAME - CAR SET

52933 97-04 Van Steel/Hard Bar Delrin Control Arm Bushing Kit Steel Frame - Car Set \$1149⁹⁹



1997-2004 FRONT OR REAR HD RACING HUB BEARING - EXCEPT ZR1 & 2009-12 Z06

52934 97-04 Front or Rear HD Racing Hub Bearing - Except ZR1 & 2009-12 Z06 \$389⁹⁹



1997-04 BASE TRACK/ENTRY LEVEL SUSPENSION KIT

52926 97-04 Base Track/Entry Level Suspension Kit - All \$5999⁹⁹



WARNING: Cancer and Reproductive Harm - www.P65Warnings.ca.gov

(833) 4TopFlight | TopFlightAutomotive.com





#56107 1984 Front Brake System - 13" Pro + Black 6 Piston Caliper

#56202 Baer Front Adjustable Tie Rod Set



#56187 1997-2004 Front Baer Front Rotors, 12.79" Eradispeed



1984-1996 BAER BRAKE SYSTEMS

#56101	84	Front System - 14" Extreme+ 6 Piston Caliper-Black	\$3499 ⁹⁹
#56102	84	Front System - 14" Extreme+ 6 Piston Caliper-Red	\$3499 ⁹⁹
#56103	84	Front System - 14" Extreme+ 6 Piston Caliper-Silver	\$3499 ⁹⁹
#56104	84	Front System - 14" Pro+ 6 Piston Caliper-Black	\$2099 ⁹⁹
#56105	84	Front System - 14" Pro+ 6 Piston Caliper-Red	\$2099 ⁹⁹
#56106	84	Front System - 14" Pro+ 6 Piston Caliper-Silver	\$2099 ⁹⁹
#56107	84	Front System - 13" Pro+ 6 Piston Caliper-Black	\$2099 ⁹⁹
#56108	84	Front System - 13" Pro+ 6 Piston Caliper-Red	\$2099 ⁹⁹
#56109	84	Front System - 13" Pro+ 6 Piston Caliper-Silver	\$2099 ⁹⁹
#56110	84	Front System - 14" Track 4, 4 Piston Caliper-Black	\$1499 ⁹⁹
#56111	84	Front System - 14" Track 4, 4 Piston Caliper-Red	\$1499 ⁹⁹
#56112	84	Front System - 14" Track 4, 4 Piston Caliper-Silver	\$1499 ⁹⁹
#56113	84-87	Rear System - 14" Extreme+ 6 Piston Caliper-Black	\$3499 ⁹⁹
#56114	84-87	Rear System - 14" Extreme+ 6 Piston Caliper-Red	\$3499 ⁹⁹
#56115	84-87	Rear System - 14" Extreme+ 6 Piston Caliper-Silver	\$3499 ⁹⁹
#56116	84-87	Rear System - 14" Pro+ 6 Piston Caliper-Black	\$2099 ⁹⁹
#56117	84-87	Rear System - 14" Pro+ 6 Piston Caliper-Red	\$2099 ⁹⁹
#56118	84-87	Rear System - 14" Pro+ 6 Piston Caliper-Silver	\$2099 ⁹⁹
#56119	84-87	Rear System - 13" Pro+ 6 Piston Caliper-Black	\$2099 ⁹⁹
#56120	84-87	Rear System - 13" Pro+ 6 Piston Caliper-Red	\$2099 ⁹⁹
#56121	84-87	Rear System - 13" Pro+ 6 Piston Caliper-Silver	\$2099 ⁹⁹
#56122	85-87	Front System - 14" Extreme+ 6 Piston Caliper-Black	\$3499 ⁹⁹
#56123	85-87	Front System - 14" Extreme+ 6 Piston Caliper-Red	\$3499 ⁹⁹
#56124	85-87	Front System - 14" Extreme+ 6 Piston Caliper-Silver	\$3499 ⁹⁹
#56125	85-87	Front System - 14" Pro+ 6 Piston Caliper-Black	\$2099 ⁹⁹
#56126	85-87	Front System - 14" Pro+ 6 Piston Caliper-Red	\$2099 ⁹⁹
#56127	85-87	Front System - 14" Pro+ 6 Piston Caliper-Silver	\$2099 ⁹⁹
#56128	85-87	Front System - 13" Pro+ 6 Piston Caliper-Black	\$2099 ⁹⁹
#56129	85-87	Front System - 13" Pro+ 6 Piston Caliper-Red	\$2099 ⁹⁹
#56130	85-87	Front System - 13" Pro+ 6 Piston Caliper-Silver	\$2099 ⁹⁹
#56131	85-87	Front System - 14" Track 4, 4 Piston Caliper-Black	\$1499 ⁹⁹
#56132	85-87	Front System - 14" Track 4, 4 Piston Caliper-Red	\$1499 ⁹⁹
#56133	85-87	Front System - 14" Track 4, 4 Piston Caliper-Silver	\$1499 ⁹⁹
#56134	88-96	Front System - 14" Extreme+ 6 Piston Caliper-Black	\$3499 ⁹⁹
#56135	88-96	Front System - 14" Extreme+ 6 Piston Caliper-Red	\$3499 ⁹⁹
#56136	88-96	Front System - 14" Extreme+ 6 Piston Caliper-Silver	\$3499 ⁹⁹
#56137	88-96	Front System - 14" Pro+ 6 Piston Caliper-Black	\$2099 ⁹⁹
#56138	88-96	Front System - 14" Pro+ 6 Piston Caliper-Red	\$2099 ⁹⁹
#56139	88-96	Front System - 14" Pro+ 6 Piston Caliper-Silver	\$2099 ⁹⁹
#56140	88-96	Front System - 13" Pro+ 6 Piston Caliper-Black	\$2099 ⁹⁹
#56141	88-96	Front System - 13" Pro+ 6 Piston Caliper-Red	\$2099 ⁹⁹
#56142	88-96	Front System - 13" Pro+ 6 Piston Caliper-Silver	\$2099 ⁹⁹
#56143	88-96	Front System - 14" Track 4, 4 Piston Caliper-Black	\$1499 ⁹⁹
#56144	88-96	Front System - 14" Track 4, 4 Piston Caliper-Red	\$1499 ⁹⁹
#56145	88-96	Front System - 14" Track 4, 4 Piston Caliper-Silver	\$1499 ⁹⁹

#56146	88-96	Front System - 14" Extreme+ 6 Piston Caliper-Black	\$3899 ⁹⁹
#56147	88-96	Front System - 14" Extreme+ 6 Piston Caliper-Red	\$3899 ⁹⁹
#56148	88-96	Front System - 14" Extreme+ 6 Piston Caliper-Silver	\$3899 ⁹⁹
#56149	88-96	Front System - 14" Pro+ 6 Piston Caliper-Black	\$2599 ⁹⁹
#56150	88-96	Front System - 14" Pro+ 6 Piston Caliper-Red	\$2599 ⁹⁹
#56151	88-96	Front System - 14" Pro+ 6 Piston Caliper-Silver	\$2599 ⁹⁹
#56152	88-96	Front System - 13" Pro+ 6 Piston Caliper-Black	\$2599 ⁹⁹
#56153	88-96	Front System - 13" Pro+ 6 Piston Caliper-Red	\$2599 ⁹⁹
#56154	88-96	Front System - 13" Pro+ 6 Piston Caliper-Silver	\$2599 ⁹⁹
#56185	88-96	Front Rotors - 13" Eradispeed+	\$699 ⁹⁹
#56186	88-95	Front Rotors - 12" Eradispeed+	\$599 ⁹⁹
#56195	88-96	Rear Rotors - 12" Eradispeed+	\$599 ⁹⁹
#56196	88-96	Rear Rotors - 13" Eradispeed+1	\$699 ⁹⁹
#56202	88-96	Tracker Adjustable Front Tie Rod Set	\$199 ⁹⁹

1997-2004 BAER BRAKE SYSTEMS

#56155	97-04	Front Sys. - 14" Extreme+ 6 Piston Caliper-Black	\$3499 ⁹⁹
#56156	97-04	Front Sys. - 14" Extreme+ 6 Piston Caliper-Red	\$3499 ⁹⁹
#56157	97-04	Front Sys. - 14" Extreme+ 6 Piston Caliper-Silver	\$3499 ⁹⁹
#56158	97-04	Front Sys. - 14" Pro+ 6 Piston Caliper-Black	\$2099 ⁹⁹
#56159	97-04	Front Sys. - 14" Pro+ 6 Piston Caliper-Red	\$2099 ⁹⁹
#56160	97-04	Front Sys. - 14" Pro+ 6 Piston Caliper-Silver	\$2099 ⁹⁹
#56161	97-04	Rear Sys. - 14" Extreme+ 6 Piston Caliper-Black	\$3499 ⁹⁹
#56162	97-04	Rear Sys. - 14" Extreme+ 6 Piston Caliper-Red	\$3499 ⁹⁹
#56163	97-04	Rear Sys. - 14" Extreme+ 6 Piston Caliper-Silver	\$3499 ⁹⁹
#56164	97-04	Rear Sys. - 14" Pro+ 6 Piston Caliper-Black	\$2099 ⁹⁹
#56165	97-04	Rear Sys. - 14" Pro+ 6 Piston Caliper-Red	\$2099 ⁹⁹
#56166	97-04	Rear Sys. - 14" Pro+ 6 Piston Caliper-Silver	\$2099 ⁹⁹
#56187	97-04	Front Rotors - 12.79" Eradispeed+	\$799 ⁹⁹
#56188	97-04	Front Rotors - 13.35" Eradispeed+1	\$899 ⁹⁹
#56197	97-04	Rear Rotors - 14" Eradispeed+1	\$699 ⁹⁹
#56202	97-04	Tracker Adjustable Front Tie Rod Set	\$199 ⁹⁹
#56205	97-04	Tracker Adjustable Rear Tie Rod Set	\$199 ⁹⁹



HAWK PERFORMANCE BRAKE PADS AND ROTORS

Hawk delivers race-proven technology and materials for your street-legal car. The Ferro-Carbon compound in Hawk's High Performance Street Brake Pads improves braking performance over OE or standard replacement brake pads.



1984-1996 HAWK BRAKE PADS & ROTORS

43288	84-87 Hawk HP Street Brake Pads - Front Set.....	\$161⁹⁹
43289	88-96 Hawk HP Street Brake Pads - Front Set.....	\$175⁹⁹
43343	84-87 Hawk HP Street Brake Pads - Rear Set.....	\$133⁹⁹
43290	88-96 Hawk HP Street Brake Pads - Rear Set.....	\$133⁹⁹
43294	84-87 Hawk HP Plus Pads - High Friction - Front Set.....	\$192⁹⁹
43295	88-96 Hawk HP Plus Pads - High Friction - Front Set.....	\$207⁹⁹
43296	88-96 Hawk HP Plus Pads - High Friction - Rear Set.....	\$181⁹⁹
56259	84-87 Brake Pads & Rotors Kit, Hawk Talon Street Kit, Cross Drilled & Slotted w/HPS Pads, Front, All.....	\$394⁹⁹
56260	84-87 Brake Pads & Rotors Kit, Hawk Talon Street Kit, Cross Drilled & Slotted w/HPS 5.0 Pads, Rear, All.....	\$342⁹⁹
56261	84-87 Brake Pads & Rotors Kit, Hawk Talon Street Kit, Cross Drilled & Slotted w/ Performance Ceramic (PC) Pads, Rear, All.....	\$344⁹⁹
56262	84-87 Brake Rotors, Hawk Talon Cross Drilled & Slotted, Vented, Front, All.....	\$250⁹⁹
56263	84-87 Brake Rotors, Hawk Talon Cross Drilled & Slotted, Vented, Rear, All.....	\$219⁹⁹
56264	85-96 Brake Pads, Hawk HPS 5.0, Rear, All Models.....	\$139⁹⁹
56265	85-96 Brake Pads, Hawk Blue 9012, Rear, All Models.....	\$184⁹⁹
56266	85-96 Brake Pads, Hawk DTC-60, Rear, All Models.....	\$226⁹⁹
56267	85-96 Brake Pads, Hawk Black, Rear, All Models.....	\$171⁹⁹
56269	85-96 Brake Pads, Hawk HT-10, Rear, All Models.....	\$233⁹⁹
56270	85-96 Brake Pads, Hawk DTC-70, Rear, All Models.....	\$252⁹⁹
56271	85-96 Brake Pads, Hawk Performance Ceramic (PC), Rear, All Models.....	\$141⁹⁹
56272	88-96 Brake Pads, Hawk HPS 5.0, Front, All Models.....	\$187⁹⁹
56273	88-96 Brake Pads, Hawk Blue 9012, Front, All Models.....	\$229⁹⁹
56274	88-96 Brake Pads, Hawk DTC-60, Front, All Models.....	\$248⁹⁹
56275	88-96 Brake Pads, Hawk Black, Front, All Models.....	\$217⁹⁹
56277	88-96 Brake Pads, Hawk HT-10, Front, All Models.....	\$234⁹⁹
56278	88-96 Brake Pads, Hawk DTC-70, Front, All Models.....	\$258⁹⁹
56279	88-96 Brake Pads, Hawk Performance Ceramic (PC), Front, All Models.....	\$188⁹⁹
56280	88-95 Brake Pads & Rotors Kit, Hawk Talon Street Kit, Cross Drilled & Slotted w/HPS 5.0 Pads, Front, All.....	\$381⁹⁹
56281	88-95 Brake Pads & Rotors Kit, Hawk Talon Street Kit, Cross Drilled & Slotted w/ Performance Ceramic (PC) Pads, Front, All.....	\$382⁹⁹
56282	88-96 Brake Pads & Rotors Kit, Hawk Talon Street Kit, Cross Drilled & Slotted w/HPS 5.0 Pads, Rear, All.....	\$325⁹⁹
56283	88-96 Brake Pads & Rotors Kit, Hawk Talon Street Kit, Cross Drilled & Slotted w/Performance Ceramic (PC) Pads, Rear, All.....	\$327⁹⁹

56284	88-95 Brake Rotors, Hawk Talon Cross Drilled & Slotted, Vented, Front, All.....	\$214⁹⁹
56285	88-96 Brake Rotors, Hawk Talon Cross Drilled & Slotted, Vented, Rear, All.....	\$201⁹⁹

1997-2004 HAWK BRAKE PADS & ROTORS

42711	97-04 Hawk HP Brake Pads - Ceramic - Front - set.....	\$168⁹⁹
43360	97-04 Hawk HP Brake Pads - Ceramic - Rear - set.....	\$139⁹⁹
43297	97-04 Hawk HP Plus Pads - High Friction - Front - set.....	\$177⁹⁹
43298	97-04 Hawk HP Plus Pads - High Friction - Rear - set.....	\$142⁹⁹
43291	97-04 Hawk HP Street Pads - Front - set.....	\$152⁹⁹
43292	97-04 Hawk HP Street Pads - Rear - set.....	\$127⁹⁹
56287	97-04 Brake Pads, Hawk HPS 5.0, Front.....	\$171⁹⁹
56288	97-04 Brake Pads, Hawk Blue 9012, Front.....	\$216⁹⁹
56289	97-04 Brake Pads, Hawk DTC-60, Front.....	\$288⁹⁹
56290	97-04 Brake Pads, Hawk DTC-80, Front.....	\$426⁹⁹
56291	97-04 Brake Pads, Hawk Street Race, Front.....	\$170⁹⁹
56292	97-04 Brake Pads, Hawk HT-10, Front.....	\$238⁹⁹
56293	97-04 Brake Pads, Hawk DTC-70, Front.....	\$329⁹⁹
56294	97-04 Brake Pads, Hawk DTC-50, Front.....	\$244⁹⁹
56295	97-04 Brake Pads, Hawk DTC-30, Front.....	\$224⁹⁹
56296	97-04 Brake Pads, Hawk HPS 5.0, Rear.....	\$136⁹⁹
56297	97-04 Brake Pads, Hawk Blue 9012, Rear.....	\$188⁹⁹
56298	97-04 Brake Pads, Hawk DTC-60, Rear.....	\$216⁹⁹
56299	97-04 Brake Pads, Hawk DTC-80, Rear.....	\$399⁹⁹
56300	97-04 Brake Pads, Hawk Street Race, Rear.....	\$130⁹⁹
56301	97-04 Brake Pads, Hawk HT-10, Rear.....	\$205⁹⁹
56302	97-04 Brake Pads, Hawk DTC-70, Rear.....	\$306⁹⁹
56303	97-04 Brake Pads, Hawk DTC-50, Rear.....	\$193⁹⁹
56304	97-04 Brake Pads, Hawk DTC-30, Rear.....	\$193⁹⁹
56305	97-04 Brake Pads & Rotors Kit, Hawk Talon Street Kit, Cross Drilled & Slotted w/HPS 5.0 Pads, Front, All.....	\$446⁹⁹
56306	97-04 Brake Pads & Rotors Kit, Hawk Talon Street Kit, Cross Drilled & Slotted w/HPS 5.0 Pads, Rear, All.....	\$363⁹⁹
56307	97-04 Brake Rotors, Hawk Talon Cross Drilled & Slotted, Vented, Directional, Front, All.....	\$293⁹⁹
56308	97-04 Brake Rotors, Hawk Talon Cross Drilled & Slotted, Vented, Rear, All Base Models and C5 Z06.....	\$242⁹⁹



WARNING: Cancer and Reproductive Harm - www.P65Warnings.ca.gov

(833) 4TopFlight | TopFlightAutomotive.com



LCD DISPLAY 4.3" MONITOR

This 4.3" Display Monitor provides the driver with a view of what's behind the vehicle through the installed backup camera. The display can mount to your dashboard with the provided stand and adhesive strip. This monitor allows you to hook up multiple cameras thanks to the 2 RCA inputs.



57068 84-04 LCD Display Monitor - 4.3" **\$139⁹⁹**

DIGITAL DISPLAY MONITORS

This 5" and 7" Display Monitor provides the driver with a view of what's behind the vehicle through the installed backup camera. The display can mount to your dashboard with the provided stand and adhesive strip. This monitor allows you to connect RCA cameras as well as Brandmotion cameras with a DIN connector.



57069 84-04 Digital Display Monitor - 5" **\$189⁹⁹**
57070 84-04 Digital Display Monitor - 7" **\$199⁹⁹**

DIGITAL QUAD DISPLAY MONITOR w/ DVR - 7"

The 7" DVR Display Monitor provides the driver with 4 camera views of what's around the vehicle. The display can mount to your dashboard with the provided stand & adhesive strip. This monitor allows you to connect RCA cameras as well as Brandmotion cameras with a DIN connector. This DVR monitor allows for simultaneous viewing and recording of all 4 cameras.



57071 84-04 Digital Quad Display Monitor w/ DVR - 7" **\$349⁹⁹**

DISPLAY MONITOR

This 3.5" Display Monitor provides the driver with a view of what's behind the vehicle through the installed backup camera. The display can mount to your dashboard with the provided stand and adhesive strip. This monitor allows you to hook up multiple cameras thanks to the 2 RCA inputs.



57078 84-04 Display Monitor - 3.5" **\$89⁹⁹**



LCD DISPLAY MIRRORS

#57072 — This rear view mirror provides the driver with a view from the installed backup camera with its crystal clear 4.3 embedded LCD screen. When you put your vehicle into reverse, the display will automatically turn on. When not in reverse, the screen completely disappears letting you utilize the mirror portion.

#57074 — You probably haven't seen an LCD Display Mirror like this before. This mirror is capable of displaying either a single camera feed on its bright 7.3" LCD screen, or dual camera views in split screen mode on two 3.6" side-by-side screens. Either way, you get a new super-large image capability not seen in a rear view mirror before, or the versatility of two display screens side-by-side. Featuring 3 camera inputs, this mirror allows you to connect not just a reverse-triggered back up camera, but two additional video inputs as well. You can manually activate the additional cameras with the flip of a switch (not included) or by using one of our innovative Curb Alert Park View PRO sensor systems.



57072 84-04 LCD Display Mirror - 4.3" **\$169⁹⁹**
57074 84-04 LCD Display Mirror - 7.3" - 3 Inputs - one 7" image or two side by side images **\$379⁹⁹**

UNIVERSAL SNAP-IN ADJUSTABLE BULLET CAMERA

This camera is perfect for mounting on flat surfaces where traditional license plate or lip mount cameras would not work. A small hole is all you need to mount this camera onto the vehicle. A fully adjustable camera head allows the driver to swivel the camera into a position that provides the optimum view for their particular vehicle. This camera features parking gridlines and as an added bonus, these parking lines can be turned off during installation. The camera also features image reversing for forward mounting applications that can be turned on during installation as well.



57067 84-04 Universal Snap-in Adjustable Bullet Camera **\$89⁹⁹**





#57050 1984-2004 Slimline OEM Auto Dimming Mirror w/ Display



SLIMLINE OEM MIRROR w/ 3.5" COLOR DISPLAY

#57050 — This high quality Authentic OEM LCD display mirror comes with a universal harness that lets you connect it to any standard aftermarket camera, including our own high-grade universal camera. The outline of the hidden 3.5" monitor is completely invisible until you put your car in reverse, unlike many less advanced systems available in the aftermarket. Professional installation is recommended.

- 57050** 84-04 Slimline OEM Auto Dimming Mirror - 3.5" Display ... **\$379⁹⁹**
- 57051** 84-04 Slimline OEM Manual Dimming Mirror - 3.5" Display **\$289⁹⁹**
- 57052** 84-04 Slimline OEM Auto Dimming Mirror with 3.5" Color Display - Twist Off Mount **\$399⁹⁹**



#57021 1984-2004 Frameless Manual Dimming Mirror

REAR VIEW MIRRORS

#57021 — With the Frameless ARQ™ Mirror with Universal Remote Control, safely open or close your garage door or gate with a single button press or turn on lights to ensure you never come home to a dark house again. Always in reach, the ARQ™ remote control is conveniently positioned within your vehicle's interior for a sleek, modern design. Coming or going, seamlessly connect your vehicle to your home for safe, reliable access every time.



#57022 1984-2004 Frameless Auto Dimming Mirror with Universal Remote

- 57020** 84-04 Auto Dimming Rear View Mirror w/ Compass / Temp Gauge **\$229⁹⁹**
- 57021** 84-04 Frameless Manual Dimming Mirror w/ Universal Remote Control ARQ **\$149⁹⁹**
- 57022** 84-04 Frameless Auto Dimming Mirror w/ Universal Remote ARQ..... **\$199⁹⁹**

UNIVERSAL CMOS CAMERAS

#57064 — This low-cost aftermarket Complementary Metal Oxide Semiconductor - CMOS - camera is ideal if you're looking to save some money and for a non-OEM solution. It utilizes a unique multi-mount mounting system that allows for horizontal or vertical camera mounting. The image can be flipped during installation to accommodate both mounting positions. This camera features parking gridlines and as an added bonus. These parking lines can be turned off during installation.



#57064

#57065 — This low-cost aftermarket CMOS camera is ideal if you're looking to save some money and for a non-OEM solution. It utilizes a unique snap-in mounting system that requires minimal surface area to attach the camera. This camera features parking gridlines and as an added bonus, these parking lines can be turned off during installation. The camera also features image reversing for forward mounting applications that can be turned on during installation as well.



#57065

#57066 — This low-cost aftermarket CMOS camera is ideal if you're looking to save some money and need a reliable camera. It features two unique mounting options; it can be installed behind the license plate or on a flat vehicle surface with minimal surface area requirements. This camera provides superior night vision thanks to the infrared lights on both sides of the camera. This camera features parking gridlines and as an added bonus, these lines can be turned off during installation. When using parking lines, it is recommended to mount the camera on the centerline of the vehicle.



#57066

- 57064** 84-04 Universal Multi-Mount CMOS Camera..... **\$89⁹⁹**
- 57065** 84-04 Universal Snap-in Lip Mount CMOS Camera **\$89⁹⁹**
- 57066** 84-04 Universal Dual Mount CMOS Camera w/ Infrared Light..... **\$99⁹⁹**



COMPLETE REAR VISION SYSTEM

- 57048** 84-04 Universal OEM Complete Rear Vision System w/ OEM Auto Dimming Rear View Mirror **\$599⁹⁹**



WARNING: Cancer and Reproductive Harm - www.P65Warnings.ca.gov

(833) 4TopFlight | TopFlightAutomotive.com





GEN 7 OEM UNIVERSAL CAMERA

The Gen 7 OEM Lip Mount Camera provides superior contrast, depth of field and night time illumination. This Authentic OEM camera features a newly designed lip-bracket that enables simpler installation. OEM connectors and a 26 foot wiring harness ensures a hassle-free installation.

57047 84-04 Gen 7 OEM Universal Lip Mount Camera**\$195⁹⁹**

FREEDOMCHARGE MAX UNIVERSAL QI WIRELESS CHARGING KIT

FreedomCharge MAX makes charging your phone even easier. The updated triple coil allows for charging through thick cases including OtterBox®. FreedomCharge MAX uses the wireless charging standard, Qi, to keep your phone charged without the hassle of plugging it in. This is a universal vehicle installation kit that can be cut to fit most any vehicle phone storage tray area. The system works by using inductive charging technology to allow your smartphone to charge without connecting a charger. No longer will you have to search for your charger and orient it the correct way just to plug in your phone. Add a new level of convenience to your car and keep your eyes on the road instead of fumbling with a tangled mess of cords.



57062 84-04 FreedomCharge Max Universal Charging Kit**\$164⁹⁹**

57063 84-04 FreedomCharge Power Point T-Harness - for hardwiring to a vehicle's 12 volt power supply..... **\$38⁹⁹**

UNIVERSAL CENTER ARMREST WIRELESS CHARGING

Seamlessly integrate wireless charging into your vehicle's armrest. Allows phone to be visible and accessible (not intended for use while driving). This kit will fit 90% of vehicles armrests, be sure to check armrest dimensions to make sure it is compatible with product (4.8" x 7.95" x .737"). FreedomCharge uses the wireless charging standard, Qi, to keep your phone charged without the hassle of plugging it in. This is a universal vehicle installation kit that can be cut to fit most any vehicle phone storage tray. The plastic substrate and rubberized phone mat can be cut using household tools - scissors and a utility knife. The system works by using inductive charging technology to allow your smartphone to charge without connecting a charger. No longer will you have to search for your charger and orient it the correct way just to plug in your phone. Add a new level of convenience to your car and keep your eyes on the road instead of fumbling with a tangled mess of cords.



57060 84-04 Universal Center Armrest Wireless Charging Kit ...**\$149⁹⁹**



PARKING SYSTEM - SWITCHABLE TO FRONT OR REAR

Avoid common backup accidents! Brandmotion's Switchable Front or Rear Parking System can be installed on any vehicle - car, SUV or truck. Distance readout is shown on LED display that can be installed conveniently on the vehicle dash, or inverted for headliner or rear vehicle mounting. An audible tone increases in frequency as objects are approached. Sensors mount into the front or rear bumper with integrated rubber isolators to improve performance on steel bumpers. Special angle mounts allow sensors to work on all vehicles types. Sensors have adjustable sensitivity to avoid false triggers due to tow hitches or spare tire carriers. Sensors come in black and can be easily painted.



57042 84-04 Switchable - Front or Rear - 4 Sensor Parking System**\$139⁹⁹**



VISION SYSTEMS

Universal 360 Vision System adds useful "eyes" around your vehicle. This full 360-degree Vision System is for drivers who want increased visibility and is the ultimate aid for low-speed maneuvering in tight and/or crowded areas. System comes with four multiple high-resolution 185 degree cameras featuring selectable views, universal camera mounts and connect to any composite RCA display. * Calibration kit required (sold separately).

57056 84-04 Vision System Version 2 - Universal 360° ***\$1199⁹⁹**

57057 84-04 Vision System Calibration Kit - 360°**\$349⁹⁹**





#57027 1984-2004 Curb Alert
Park View Pro w/ Camera



#57028 1984-2004
Curb Alert Add-On
LED Indicator



#57029 1984-2004
Frameless Manual
Dim Mirror

CURB ALERT SENSOR

#57023 — With a Curb Alert™ parking sensor, you'll no longer have to worry about damaging your vehicle's front bumper when pulling up to a curb or approaching the end of a steep driveway. Using Infrared LED technology, the Curb Alert curb sensor will reliably detect when you are getting too close to a curb and warn you with a short series of audible beeps, helping you avoid expensive damage to your vehicle's front end.

- 57023** 97-04 Curb Alert Parking Sensor for C5 \$149⁹⁹
- 57024** 84-04 Curb Alert Parking Sensor - Universal \$149⁹⁹
- 57026** 84-04 Curb Alert Pro Parking Sensor, Ignition Connect..... \$159⁹⁹
- 57027** 84-04 Curb Alert Park View Pro w/ Front Auto-Camera.... \$199⁹⁹
- 57028** 84-04 Curb Alert Add-On LED Indicator \$26⁹⁹
- 57033** 84-04 Curb Alert Sensor NT Complete Kit \$99⁹⁹



#57040 1984-2004 Universal 4-Sensor Backup Sensor System

UNIVERSAL 4-SENSOR BACKUP SYSTEM

Avoid common backup accidents! Brandmotion's Universal Four Sensor Rear Parking Assist System can be installed on any vehicle - car, SUV or truck. Distance readout is shown on included LED display that can be installed conveniently on the vehicle dash or inverted for headliner mounting. A numerical distance from object readout is shown in inches, along with a color-coded green, yellow and red warning.

- 57040** 84-04 Universal 4-Sensor Backup Sensor System \$89⁹⁹

VIDEO SWITCHERS

#57044 — This high quality 2-way video switcher includes a dedicated pass-through for one existing video source, and two additional selectable video inputs. The video inputs are triggered by a positive 12V input.



#57044

- 57044** 84-04 Video Switcher 2 Input w/ Third Camera Pass Thru \$99⁹⁹
- 57045** 84-04 Smart Video Switcher 6 Input \$179⁹⁹

REPLACEMENT MICROPHONE FOR OEM MIRROR

An OEM replacement microphone accessory kit for rear vision mirror upgrades for vehicles with factory microphones in the mirror, including SYNC for Ford/Lincoln/Mercury, and UConnect systems in Chrysler and Dodge vehicles. This microphone is precision-tuned and guaranteed to produce the same high quality conversation through your vehicle's factory hands-free communication system.

- 57029** 84-04 Replacement Microphone for OEM Mirror-Based Microphones w/ Voltage Regulator \$128⁹⁹



DUAL CAMERAS & RADIOS

#57046 — This low-cost aftermarket CMOS camera is ideal if you're looking to save some money and for a non OEM solution. It features two unique mounting options. It can be installed behind the license plate or on a flat vehicle surface with minimal surface area requirements. It ships with two adjustable bracket options for your convenience and safety. The included harness is 22 feet long.

- 57038** 84-04 Dual Camera Blind Spot Monitoring Radios \$399⁹⁹
- 57039** 84-04 Dual Camera Blind Spot Monitoring Mirror..... \$499⁹⁹
- 57046** 84-04 Universal Dual Mount CMOS Camera..... \$89⁹⁹

EXTENDED HARNESS FOR UNIVERSAL 4-SENSOR SYSTEM

This extension harness easily connects 4 sensors in the base Universal Rear Park Assist System to the bumper of pickups and cargo vans. Sensors are mounted into the rear bumper and include specialized rubber isolators to improve performance on steel bumpers. Special angled mounts allow sensors to work on all types of vehicles.



- 57041** 84-04 Extended Harness for Universal 4-Sensor Backup Sensor System \$49⁹⁹



WARNING: Cancer and Reproductive Harm -
www.P65Warnings.ca.gov





1984-1996 INTERIORS



1989-92 Leather-Like Mounted Standard Seat Covers



1993 100% Leather Mounted Standard Seat Covers



1984-1996 PROFESSIONALLY INSTALLED STANDARD SEAT COVERS

1984-1996 Mounted Standard Seat Covers arrive at your door fully finished and ready to snap into place. We deliver the best value for your restoration dollar by using materials of the finest quality and providing expert installation of your new seat covers.

New Seats. No Hassles. Professional Installation!

Who's better at installing your seat covers than the experts who made them? Put expert hands to work for you when you purchase Mounted Seat Covers!

One Great Price Covers Everything!

Get the best value for your restoration dollar when you order these 1984-1996 Mounted Standard Seat Covers. Set includes: 2 bottoms and 2 backs in the color of your choice, 4 pieces of seat foam, all the seat cover installation hardware needed AND labor.

Your Choice: 100% Leather or Leather-Like

1984-1996 Mounted Standard Seat Covers are available in two styles: 100% Leather as original or economical Leather-Like. To order, simply attach your 2-digit color code to the 4-digit number shown.

All 1993 100% Leather Mounted Standard Seats include the 40th Anniversary Embroidered Headrest Logo as originally included from GM. Leather-Like Seats do not include the logo.

1984-1988 Non-Perforated Seat Covers last longer and look better than the original perforated seat covers. Available in 100% Leather or Leather-Like.

1984-1996 COLOR CODES

92-96 Beige Code 82	84-96 Black Code 20	84-85 Blue Code 70	86-89 Blue Code 74	90-91 Blue Code 80	84-87 Bronze Code 71	84-87 Graphite Code 22	84-87 Gray Code 69	88-89 Gray Code 79	90-91 Gray Code 81
92-96 Gray Code 84	84-85 Red Code 27	86-92 Red Code 75	93-96 Red Code 85	93 Ruby Red Code 86	84-87 Saddle Code 72	88-91 Saddle Code 78	88 Anniversary Code 77	92-93 White Code 83	





1993 100% Leather Mounted Standard Seat Covers

1984-87 100% Leather Mounted Standard Seat Covers



1989 Leather-Like Mounted Standard Seat Covers



#45086 1989-1992 Mounted Black/Saddle Two-Tone Leather Standard Seat Covers

1984-1996 100% LEATHER SEAT COVERS - MOUNTED

- 4228_ 84-88 Mounted Standard Seat Covers w/ Original Design Perforations - Set \$1215⁹⁹
- 4685_ 84-88 Mounted Standard Seat Covers - Non-Perforated - Set..... \$1215⁹⁹
- 4230_ 89-92 Mounted Standard Seat Covers - Set..... \$1235⁹⁹
- 4486_ 93 Mounted Standard Seat Covers - Set..... \$1308⁹⁹
- 4470_ 94-96 Mounted Standard Seat Covers - Set..... \$1235⁹⁹

1984-1996 LEATHER-LIKE SEAT COVERS - MOUNTED

- 4229_ 84-88 Mounted Standard Seat Covers w/ Original Design Perforations - Set \$865⁹⁹
- 4688_ 84-88 Mounted Standard Seat Covers - Non-Perforated - Set..... \$865⁹⁹
- 4231_ 89-92 Mounted Standard Seat Covers - Set..... \$906⁹⁹
- 4489_ 93 Mounted Standard Seat Covers - Set..... \$906⁹⁹
- 4471_ 94-96 Mounted Standard Seat Covers - Set..... \$1091⁹⁹

1984-1996 MOUNTED TWO-TONE LEATHER STANDARD SEAT COVERS

- | | | | | | |
|-------|-------|------------------|-------|-------|----------------|
| 45080 | 84-88 | Black / Dark Red | 45086 | 89-92 | Black / Saddle |
| 45081 | 84-88 | Black / Gray | 45087 | 93 | Black / Beige |
| 45082 | 84-88 | Black / Red | 45088 | 93 | Black / Gray |
| 45083 | 84-87 | Black / Saddle | 45089 | 93 | Black / Red |
| 45079 | 88 | Black / Saddle | 45090 | 94-96 | Black / Beige |
| 45084 | 89-92 | Black / Beige | 45091 | 94-96 | Black / Gray |
| 45085 | 89-92 | Black / Red | 45092 | 94-96 | Black / Red |

1984-96 Mounted Two-Tone Standard Seat Covers..... \$1297⁹⁹

• Due to the design of the seat frame and covers for 94-96 standard seats, the installation of the backs for mounted seat covers can only be completed after being placed in position on the frame.

EMBROIDERED ITEMS ARE NON-RETURNABLE

Items requiring use of an embroidery code to order are considered custom made and therefore are **NON-RETURNABLE**. Please confirm your fitment and logo choice with your preferred dealer or one of our sales agents **before** placing your order. All workmanship and quality warranties still apply to CA manufactured embroidered items.



WARNING: Cancer and Reproductive Harm - www.P65Warnings.ca.gov

(833) 4TopFlight | TopFlightAutomotive.com





1984-88 Leather Standard Seat Covers

1989-92 Leather Standard Seat Covers



1984-1996 STANDARD SEAT COVERS

Here are two excellent choices for new Standard Seat Covers: 100% Leather as original or economical Leather-Like. For 1984-1988 Corvette owners, we now offer you perforated inserts as original or these new Non-Perforated Seat Covers that last longer and look great. Sets include 2 Backs and 2 Bottoms. Seat foam and installation hardware sold separately. **Find your 2-digit COLOR CODE on page 22.**

All 1993 100% Leather Standard Seat Covers include the 40th Anniversary Embroidered Headrest Logo as originally included from GM. Leather-Like Seat Covers do not include logo.



1984-1996 100% LEATHER STANDARD SEAT COVERS

1984-1988 Seat Covers have correct perforations where applicable. Mount on Standard Seat Foam for a complete restoration that looks and feels like original. All Seat Covers are 100% Leather.

4203	84-88 Standard Seat Covers w/ Original Design Perforations - Set	\$865⁹⁹
4684	84-88 Standard Seat Covers w/ Non-Perforated Inserts - Set	\$865⁹⁹
4204	89-92 Standard Seat Covers - Set	\$865⁹⁹
4485	93 Standard Seat Covers - Set	\$915⁹⁹
4472	94-96 Standard Seat Covers - Set	\$875⁹⁹

Note: If your seats have Adjustable Upper Side Bolsters and Lumbar Support, order **Sport** Seat Covers, not Standard Seat Covers.



1994-96 Standard Seat Covers



1984-1996 LEATHER-LIKE STANDARD SEAT COVERS

Manufactured with highest grade vinyl (for durability that rivals that of leather), these Leather-Like Seat Covers offer you an economical alternative to original seat covers, yet look just like leather! All 1984-88 Seat Covers are available with or without perforations.

4218	84-88 Standard Leather-Like Seat Covers w/ Perforated Inserts - Set	\$432⁹⁹
4687	84-88 Standard Leather-Like Seat Covers - Non-Perforated Inserts - Set	\$432⁹⁹
4219	89-92 Standard Leather-Like Seat Covers - Set	\$453⁹⁹
4488	93 Standard Leather-Like Seat Covers - Set	\$453⁹⁹
4473	94-96 Standard Leather-Like Seat Covers - Set	\$617⁹⁹

Why Non-Perforated Covers?

Years of experience and feedback from Corvette owners like yourself show that 1984-1988 Non-Perforated Seat Covers last longer and look better than original-design perforated seat covers. Available in 100% Leather and Leather-Like Seat Covers.





1991 Leather Sport Seat Covers



1994-96 100% Leather Sport Seat Covers w/ Foam



84-88	88 35th Anniv.	89-92
93 40th Anniv.	94-96	96 Grand Sport and 96 Collector also available.



1984-1996 SPORT SEAT COVERS

Superior Quality in Two Styles!

Here are two excellent choices for your new Sport Seat Covers: 100% Leather as original, or economical Leather-Like. For 1984-1988 Corvette owners, we now offer you perforated inserts as original or new Non-Perforated Seat Covers that last longer and look great. Sets include 2 Backs and 2 Bottoms. Seat foam and installation hardware sold separately. Find your 2-digit COLOR CODE on page 22.

All 100% Leather Sport Seat Covers include original style logo on headrest or neckrest as originally included from GM. Leather-Like Seat Covers do not include logo.

1984-1996 100% LEATHER SPORT SEAT COVERS

All Seat Covers are made of 100% Leather and feature the correct perforations where applicable. Mount on Sport Seat Foam for a complete restoration that looks and feels just like the original.

We can also mount the seat covers for you. Call for details.

4205	84-88 Sport Seat Covers w/ Original Design Perforations - Set.....	\$915⁹⁹
4686	84-88 Sport Seat Covers - Non-Perforated - Set.....	\$915⁹⁹
420577	88 Sport Seat Covers - 35th Anniversary - Set.....	\$970⁹⁹
4206	89-90 Sport Seat Covers - Set.....	\$926⁹⁹
4207	91-92 Sport Seat Covers - Set.....	\$926⁹⁹
4487	93 Sport Seat Covers - Set.....	\$926⁹⁹
4626	94-96 Sport Seat Covers - Set w/ Seat Foam installed*.....	\$1624⁹⁹
420820	96 Sport Seat Covers w/ Seat Foam Installed - Grand Sport - Black - Set*.....	\$1624⁹⁹
420885	96 Sport Seat Covers w/ Seat Foam Installed - Grand Sport - Red - Set*.....	\$1624⁹⁹
420920	96 Sport Seat Covers w/ Seat Foam Installed - Collector - Black - Set*.....	\$1624⁹⁹
420984	96 Sport Seat Covers w/ Seat Foam Installed - Collector - Gray - Set*.....	\$1624⁹⁹
420985	96 Sport Seat Covers w/ Seat Foam Installed - Collector - Red - Set*.....	\$1624⁹⁹



1984-1996 LEATHER-LIKE SPORT SEAT COVERS

Manufactured with highest grade vinyl for durability that rivals that of leather, these Leather-Like Seat Covers offer you an economical alternative to original seat covers, yet look just like leather!

All 1984-1988 Covers are available with or without perforations.

Find your 2-digit COLOR CODE on page 22.

4220	84-88 Leather-Like Sport Seat Covers - Perforated - Set.....	\$453⁹⁹
4689	84-88 Leather-Like Sport Seat Covers - Non-Perforated - Set.....	\$453⁹⁹
4221	89-90 Leather-Like Sport Seat Covers - Set.....	\$677⁹⁹
4222	91-92 Leather-Like Sport Seat Covers - Set.....	\$568⁹⁹
4490	93 Leather-Like Sport Seat Covers - Set.....	\$568⁹⁹
4627	94-96 Leather-Like Sport Seat Covers - Set w/ Seat Foam installed*.....	\$1153⁹⁹

* NOTE: 1994-1996 Sport Seat Covers

For best results, it is highly recommended that customers send us their seat frame backs when ordering 1994-1996 Sport Seat Covers. Price includes installation of backs on seat frames. Frames should be sent in advance. Call for details.

All CA 1994-1996 Sport Seat Covers are now sold only with new seat foam. Due to the procedure the manufacturer used to attach original seat covers to the foam, it is extremely difficult to remove original covers without severely damaging the original seat foam, resulting in a poor installation of new seat covers. As an added service, and to prevent this problem, we now sell these seat covers only with the foam. In addition, the seat covers will be attached to the new foam by professional installers in the same manner as the factory originals.



WARNING: Cancer and Reproductive Harm - www.P65Warnings.ca.gov

(833) 4TopFlight | TopFlightAutomotive.com





#44217 - 1989-92 Standard - Black / Saddle



#44248 - 1994-96 Sport - Black / Gray



1984-1996 Two-Tone Custom Leather Seat Covers



Sporty Two-Toned Style for Standard or Sport Seats!

CA's Two-Toned Custom Leather Seat Cover Sets bring sporty style to your 1984-1996 Corvette interior. Available in both Standard and Sport designs, these Seat Covers feature 100% Leather construction along with your choice of several terrific color combinations. All 1984-1993 Sport and 1984-1996 Standard Sets include all the pieces needed to cover passenger and driver seats. Seat foam not included except for on 1994-1996 Sport Seats. 1994-1996 Sport Sets are sold with pre-installed foam.* Find your 2-digit COLOR CODE on page 22.

All Two-Tone Custom Leather Sport Seats include headrest or neckrest embroidery as originally included by GM.

STANDARD

44213 84-87 Black / Saddle	44217 89-92 Black / Saddle
44210 84-88 Black / Dark Red	44220 93 Black / Beige
44211 84-88 Black / Gray	44221 93 Black / Gray
44212 84-88 Black / Red	44222 93 Black / Red
44214 88 Black / Saddle	44223 94-96 Black / Beige
44215 89-92 Black / Beige	44224 94-96 Black / Gray
44216 89-92 Black / Red	44225 94-96 Black / Red

SPORT*

44233 84-87 Black / Saddle	44240 91-92 Black / Red
44230 84-88 Black / Dark Red	44241 91-92 Black / Saddle
44231 84-88 Black / Gray	44244 93 Black / Beige
44232 84-88 Black / Red	44245 93 Black / Gray
44234 88 Black / Saddle	44246 93 Black / Red
44235 89-90 Black / Red	44247 94-96 Black / Beige
44236 89-90 Black / Saddle	44248 94-96 Black / Gray
44239 91-92 Black / Beige	44249 94-96 Black / Red

1984-1993 Two-Tone Standard Seat Cover Set.....	\$979 ⁹⁹
1994-1996 Two-Tone Standard Seat Cover Set.....	\$1081 ⁹⁹
1984-1993 Two-Tone Sport Seat Cover Set.....	\$1036 ⁹⁹
1994-1996 Two-Tone Sport Seat Cover Set w/ Pre-Installed Seat Foam*.....	\$1657 ⁹⁹

* See Note for 1994-1996 Sport Seat Covers on previous page.

Seat Cover Installation Service

Take the hassle out of recovering your worn and dirty seats! Simply send your seats to us, and we'll do the rest. Our installation experts will ensure that your new seat covers are installed correctly. And the workmanship is guaranteed for a full year! Seat covers, foam and any necessary hardware must be purchased separately.

15005 84-93 Sport Seat Cover Installation Labor only.....	\$494 ⁹⁹
15006 84-96 Standard Seat Cover Installation Labor only.....	\$319 ⁹⁹
90304 84-96 Seat Bucket Repainting Service.....	\$123 ⁹⁹



#4900 - Pro Model Hog Ring Pliers

#X2090 - Seat Cover Installation Kit

1984-1993 SEAT COVER INSTALLATION KITS

All of the hooks, clips, wires and hog rings you need to install your new seat covers.

X2089 84-88 Seat Cover Installation Kit.....	\$30 ⁹⁹
X2090 89-93 Seat Cover Installation Kit.....	\$30 ⁹⁹
8814 Seat Cover Clip Install Tool.....	\$11 ⁹⁹

HOG RINGS & HOG RING PLIERS

Typical set of 1984-1996 seats needs 200 hog rings for installation. Hog rings are included in the Seat Cover Installation Kits.

4930 Hog Rings - Pack of 10.....	\$3 ⁹⁹
4904 Hog Ring Pliers - Economy.....	\$6 ⁹⁹
4902 Hog Ring Pliers - Spring-Loaded.....	\$21 ⁹⁹
4900 Hog Ring Pliers - Pro Model.....	\$26 ⁹⁹





Available in original interior colors with the embroidered C4 emblem on the headrest.



EMBROIDERED ITEMS ARE NON-RETURNABLE. See page 23.

Available in several color combinations plus the C4 emblem of your choice.



1984-1996 CUSTOM EMBROIDERED LEATHER SEAT COVERS

CA's Leather Seat Covers are now available in all original colors with the C4 Emblem embroidered on the headrest. Officially licensed by GM, they are available in Standard or Sport configuration. All sets include 2 backs and 2 bottoms.

Find your 2-digit COLOR CODE on page 22.

STANDARD Seat Covers

4203_E	84-88	Perforated Inserts.....	\$948⁹⁹
4684_E	84-88	Non-Perforated Inserts.....	\$948⁹⁹
4204_E	89-92	Non-Perforated Inserts.....	\$948⁹⁹
4485_E	93	Non-Perforated Inserts.....	\$948⁹⁹
4472_E	94-96	Non-Perforated Inserts.....	\$1003⁹⁹

SPORT Seat Covers

4205_E	84-88	Perforated Inserts.....	\$970⁹⁹
420577E	88	35th Anniv. - Creamy White.....	\$1036⁹⁹
420583E	88	35th Anniv. - Bright White.....	\$1036⁹⁹
4206_E	89-90	Non-Perforated Inserts.....	\$981⁹⁹
4686_E	89-92	Non-Perforated Inserts.....	\$970⁹⁹
4207_E	91-92	Non-Perforated Inserts.....	\$981⁹⁹
4487_E	93	40th Anniv. Logo - Embroidered on Headrest as original.....	\$981⁹⁹

Complete the blank in the part number with your 2-digit color code.

Find your 2-digit COLOR CODE on page 22

Then choose your C4 logo: Add **#4357** or **#4358** to your order.



#4357 - 1984-1990 Logo



#4358 - 1991-1996 Logo

1984-1996 100% LEATHER CUSTOM EMBROIDERED TWO-TONE SEAT COVERS

Available in Standard or Sport Seat configurations, these seat covers feature 100% Leather construction and your choice of two-tone color combination plus the GM-Licensed C4 Emblem embroidered on the headrest. All sets include 2 backs and 2 bottoms.

Find your 2-digit COLOR CODE on page 22.

STANDARD Seat Covers

44210E	84-85	Black & Dk Red
44211E	84-88	Black & Gray
44212E	86-88	Black & Red
44213E	86-87	Black & Saddle
44214E	88	Black & Saddle
44215E	89-92	Black & Beige
44216E	89-92	Black & Red
44217E	89-92	Black & Saddle
44220E	93	Black & Beige
44221E	93	Black & Gray
44222E	93	Black & Red
44223E	94-96	Black & Beige
44224E	94-96	Black & Gray
44225E	94-96	Black & Red

SPORT Seat Covers

44233E	84-87	Black & Saddle
44230E	84-88	Black & Dk Red
44231E	84-88	Black & Gray
44232E	84-88	Black & Red
44234E	88	Black & Saddle
44235E	89-90	Black & Red
44236E	89-90	Black & Saddle
44239E	91-92	Black & Beige
44240E	91-92	Black & Red
44241E	91-92	Black & Saddle
44244E	93	Black & Beige
44245E	93	Black & Gray
44246E	93	Black & Red

1984-1993 Standard Embroidered Two-Tone Seat Covers - Set **\$1155⁹⁹**

1994-1996 Standard Embroidered Two-Tone Seat Covers - Set **\$1210⁹⁹**

1984-1993 Sport Embroidered Two-Tone Seat Covers - Set **\$1155⁹⁹**



Choose your color combination, then choose your C4 logo by adding **#4357** or **#4358** to your order.



WARNING: Cancer and Reproductive Harm - www.P65Warnings.ca.gov

(833) 4TopFlight | TopFlightAutomotive.com



SEAT COMPONENTS & HARDWARE

1984-1996 SEAT FOAM

Only CA seat foam features correctly formed & inserted wire supports for long-lasting and beautiful results. Available by the piece or in convenient 4-piece sets. For Standard and Sport Seats.



#4262 1984-1988
Standard Seat Foam Back

#4264 1984-1988
Standard Seat Foam Bottom



#4265 1984-1988
Sport Seat Foam Back



#4266 1984-1988
Sport Seat Foam Bottom

STANDARD FOAM

4262 84-88 Back	7226 89-93 4 pc Set
4264 84-88 Bottom	32602 94-96 Back
7225 84-88 4 pc Set	32601 94-96 Bottom
4267 89-93 Back	7235 94-96 4 pc Set
4268 89-93 Bottom	

1984-1996 Standard Seat Foam Back - Each	\$89 ⁹⁹
1984-1996 Standard Seat Foam Bottom - Each	\$89 ⁹⁹
1984-1996 Standard Seat Foam - 4 pc Set	\$350 ⁹⁹

SPORT FOAM

4265 84-88 Back	7228 89-90 4 pc Set
4266 84-88 Bottom	4269 91-93 Back
7227 84-88 4 pc Set	4271 91-93 Bottom LH
4269 89-90 Back	4273 91-93 Bottom RH
4270 89-90 Bottom	7229 91-93 8 pc Set

1984-1993 Sport Seat Foam Back - Each	\$94 ⁹⁹
1984-1993 Sport Seat Foam Bottom - Each	\$94 ⁹⁹
1984-1993 Sport Seat Foam - 4 pc Set	\$360 ⁹⁹

1994-96 Sport Seat Foam is available only when purchased pre-installed in new Seat Covers.



#27568 1987L-1996
Rebuilt Power Seat Track

1984-1996 REBUILT POWER SEAT TRACKS AND HARDWARE

Get back on track with these professionally rebuilt 1984-1996 Power Seat Tracks. Featuring completely new gears and bushings for a smooth glide every time! **Note:** A \$100 core charge is required for each track ordered, and will be refunded in full upon receipt of rebuildable track.

27567 84-87E Power Seat Track - Round Pins in Plug (one seat)	\$234 ⁹⁹
27568 87L-96 Power Seat Track - Flat Pins in Plug (one seat)	\$234 ⁹⁹
41647 84-96 Seat Bottom Cushion Support Strap Kit	\$30 ⁹⁹



#37786 1984-1989
Sport Seat Backrest Control Switch



1984-1996 SPORT SEAT COMPONENTS

Repair broken Sport Seats with these quality replacement components.

37786 84-89 Sport Seat Backrest Control Switch	\$50 ⁹⁹
37787 84-89 Sport Seat Bolster Control Switch	\$50 ⁹⁹
23129 84-89 Power Seat Toggle Knob - 4 way	\$19 ⁹⁹
40412 84-90 Sport Seat Control Switch Bezel - LH	\$12 ⁹⁹
43812 84-93 Sport Seat Control Switch Bezel - 84-90 RH, 91-93 Inner	\$12 ⁹⁹
43804 94-96 Seat Back Release Bezel - Black	\$19 ⁹⁹
50755 94-96 Power Seat Relay	\$9 ⁹⁹





#51666 1986-1989

Blue Lap & Shoulder Seat Belts - Single Retractor

1984-1996 LAP & SHOULDER SEAT BELTS

Single Retractor Lap & Shoulder Seat Belts with OE Style Replacement GM buckle. No sleeve, carpet insert.

1984-1996 Coupe

51657	84-85	Single Retractor Seat Belts - Blue - pr	\$282⁹⁹
51655	84-85	Single Retractor Seat Belts - Carmine - pr	\$282⁹⁹
51662	84-87	Single Retractor Seat Belts - Bronze - pr	\$282⁹⁹
51661	84-87	Single Retractor Seat Belts - Graphite - pr	\$282⁹⁹
51656	84-87	Single Retractor Seat Belts - Saddle - pr	\$282⁹⁹
51663	84-87	Single Retractor Seat Belts - Silver - pr	\$282⁹⁹
51652	84-96	Single Retractor Seat Belts - Black - pr	\$282⁹⁹
51666	86-89	Single Retractor Seat Belts - Blue - pr	\$282⁹⁹
51654	86-92	Single Retractor Seat Belts - Flame Red - pr	\$282⁹⁹
51659	88-91	Single Retractor Seat Belts - Medium Gray - pr	\$282⁹⁹
51665	88-91	Single Retractor Seat Belts - Saddle - pr	\$282⁹⁹
51660	90-91	Single Retractor Seat Belts - Blue - pr	\$282⁹⁹
51664	92-96	Single Retractor Seat Belts - Beige - pr	\$282⁹⁹
51658	92-96	Single Retractor Seat Belts - Gray - pr	\$282⁹⁹
51676	93	Single Retractor Seat Belts - Ruby - pr	\$279⁹⁹
51653	93-96	Single Retractor Seat Belts - Torch Red - pr	\$282⁹⁹

1986-1996 Convertible

40467	86-87	Single Retractor Seat Belts - Bronze - pr	\$282⁹⁹
40466	86-87	Single Retractor Seat Belts - Graphite - pr	\$282⁹⁹
40468	86-87	Single Retractor Seat Belts - Silver - pr	\$282⁹⁹
40471	86-89	Single Retractor Seat Belts - Blue - pr	\$282⁹⁹
40461	86-92	Single Retractor Seat Belts - Flame Red - pr	\$282⁹⁹
40464	88-91	Single Retractor Seat Belts - Medium Gray - pr	\$282⁹⁹
40470	88-91	Single Retractor Seat Belts - Saddle - pr	\$282⁹⁹
40458	88-96	Single Retractor Seat Belts - Black - pr	\$282⁹⁹
40465	90-91	Single Retractor Seat Belts - Blue - pr	\$282⁹⁹
40469	92-96	Single Retractor Seat Belts - Beige - pr	\$282⁹⁹
40463	92-96	Single Retractor Seat Belts - Gray - pr	\$230⁹⁹
40459	93	Single Retractor Seat Belts - Ruby - pr	\$279⁹⁹
40460	93-96	Single Retractor Seat Belts - Torch Red - pr	\$230⁹⁹

1984-1996 Non-Retractable Seat Belts

These non-retractable replacement seat belts feature a metal buckle with starburst push button. Available for coupes only in several colors (not intended to match original colors). Sold in pairs.

41489	84-96	Non-Retractable Seat Belts - Coupe - Black - pr	\$56⁹⁹
41490	84-96	Non-Retractable Seat Belts - Coupe - Flame Red - pr	\$56⁹⁹
41491	84-96	Non-Retractable Seat Belts - Coupe - Red - pr	\$56⁹⁹
41492	84-96	Non-Retractable Seat Belts - Coupe - Maroon - pr	\$27⁹⁹
41493	84-96	Non-Retractable Seat Belts - Coupe - Saddle - pr	\$56⁹⁹
41494	84-96	Non-Retractable Seat Belts - Coupe - Dk Blue - pr	\$56⁹⁹
41495	84-96	Non-Retractable Seat Belts - Coupe - Gray - pr	\$56⁹⁹



#41490 1984-1996

Flame Red Non-Retractable Seat Belts



#22137 1984-1996

Buckle Sleeve OE - Dark Blue



#34842 1984-1996

Seat Belt Bolt Kit - Gold Finish

#37735 1984-1996

12" Seat Belt Extender

1984-1996 SEAT BELT COMPONENTS & HARDWARE

22133	84-96	Buckle Sleeve - OE - Black	\$29⁹⁹
22134	84-96	Buckle Sleeve - OE - Red	\$29⁹⁹
22135	84-96	Buckle Sleeve - OE - Maroon	\$29⁹⁹
22136	84-96	Buckle Sleeve - OE - Saddle	\$29⁹⁹
22137	84-96	Buckle Sleeve - OE - Dark Blue	\$29⁹⁹
22138	84-96	Buckle Sleeve - OE - Gray	\$29⁹⁹
37735	84-96	Seat Belt Extender - 12"	\$37⁹⁹
25469	84-96	Seat Belt Self-Retractor - Clip On - 2 req'd	\$13⁹⁹
34841	84-96	Seat Belt Bolt Kit - Silver Finish - 2 req'd	\$14⁹⁹
34842	84-96	Seat Belt Bolt Kit - Gold Finish - 2 req'd	\$11⁹⁹



WARNING: Cancer and Reproductive Harm -
www.P65Warnings.ca.gov

(833) 4TopFlight | TopFlightAutomotive.com





#444074 1986-1989
Standard Door Panel - Blue LH



#445172 1984-1987
Deluxe Coupe Door Panel - Saddle RH



#444075 1986-1989
Standard Door Panel - Red LH



#445177 1988
Deluxe Coupe Door Panel - Anniversary RH

1984-1989 STANDARD DOOR PANELS

Reproductions with the Original 3-Piece Design!

Feature Carpet Strip, Inner Window Seal and Lower Air Vent. Simply transfer your Armrest, Upper Door Trim and Upper Air Vent.

Find your 2-digit **COLOR CODE** on page 22.

4440	84-89 Standard Door Panel - LH.....	\$319⁹⁹
4441	84-89 Standard Door Panel - RH.....	\$319⁹⁹

1984-1989 DELUXE DOOR PANELS

In all 12 original colors, these Deluxe Door Panels feature pre-installed Upper Door Panel Trim, Upper Air Vent, Inner Window Seal, Matching Armrest, Lower Air Vent and Carpet Strip (perfect match to CA Carpet).

Find your 2-digit **COLOR CODE** on page 22.

4450	84-89 Deluxe Door Panel - Coupe - LH.....	\$484⁹⁹
4451	84-89 Deluxe Door Panel - Coupe - RH.....	\$484⁹⁹
4452	86-89 Deluxe Door Panel - Convertible - LH.....	\$504⁹⁹
4453	86-89 Deluxe Door Panel - Convertible - RH.....	\$504⁹⁹



DOOR PANEL HARDWARE & TRIM



#464181 1990-1991 Door Panel - Gray LH



#464182 1992-1993 Door Panel - Beige LH

1990-1993 DOOR PANELS

Search no more for 1990-1993 Door Panels because CA is reproducing them for you! They are manufactured with the same 3-piece design as the originals and are available in all original colors. **Find your 2-digit COLOR CODE on page 22.**

- #4641_ 90-93 Door Panel - LH\$617⁹⁹
- #4642_ 90-93 Door Panel - RH\$617⁹⁹



#465885 1994-1996 Door Panel - Red LH



#465884 1994-1996 Door Panel - Gray LH

1994-1996 DOOR PANELS

In All Original Colors!

Each panel includes the Upper Window Wipe already professionally installed. You simply remove your existing door panels, transfer a few pieces of trim and install your new door panels for a factory-fresh look.

Find your 2-digit COLOR CODE on page 22.

- #4658_ 94-96 Door Panel Coupe - LH.....\$617⁹⁹
- #4670_ 94-96 Door Panel Convertible - LH\$617⁹⁹
- #4659_ 94-96 Door Panel All - RH.....\$617⁹⁹



Enlarged to show detail.

1984-1989 CARPET VINYL STRIPS

Find your 2-digit COLOR CODE on page 22.

- 4337_ 84-89 Carpet Vinyl Strips\$84⁹⁹



AcoustiSHIELD™

1984-1996 ACOUSTISHIELD DOOR NOISE DAMPENING KIT

AcoustiShield's Door Noise Dampening Kit eliminates noise and vibration from your Vette's outer door skin. Includes six (6) self-adhesive 2" X 24" Dynamat Damper strips and illustrated instructions.

- 51977 84-96 AcoustiShield Door Noise Dampening Kit.....\$62⁹⁹



1984-1996 DOOR PANEL INSULATION & HARDWARE

Pre-molded, sound-deadening material is stock for all 1990-96 Corvettes. Also fits all 1984-1989 Corvettes which have no door panel insulation. No modifications necessary when installing in 1984-1989 model years.

- 39310 84-96 Door Panel Insulation - RH\$35⁹⁹
- K1165 84-96 Door Panel Screws - 14 pc - does both doors.....\$5⁹⁹
- K1477 84-96 Door Panel Screw Inserts - 7 pc - does one door\$3⁹⁹
- 39313 94-96 Door Panel Screw Hole Plugs - Black.....\$5⁹⁹

Use Your Interior Color Code when you Order.

Complete the part number by adding your 2-digit color code in place of the blank.

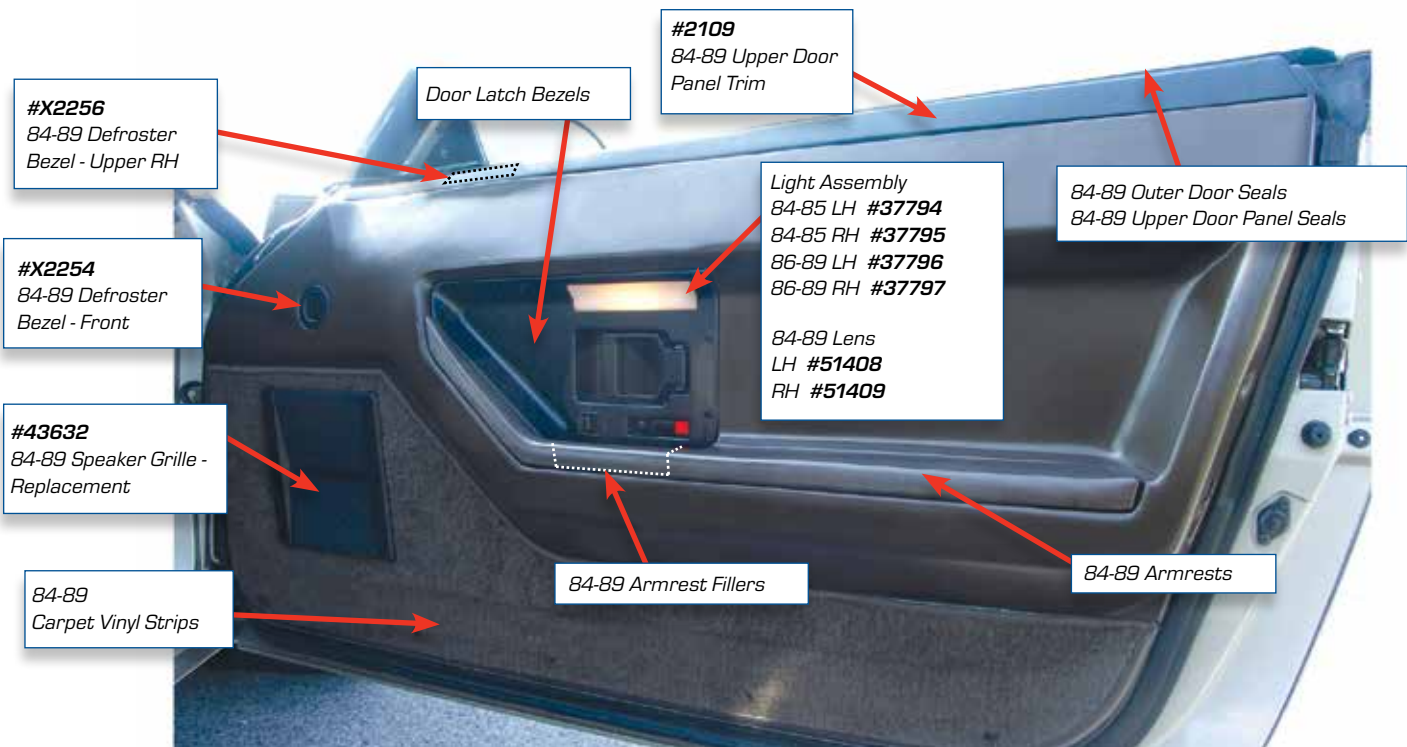
Find your 2-digit COLOR CODE on page 22.



WARNING: Cancer and Reproductive Harm - www.P65Warnings.ca.gov

(833) 4TopFlight | TopFlightAutomotive.com





1984-1989 DOOR LATCH BEZELS

27501	84-85 LH w/ Power Locks.....	\$50⁹⁹
27502	84-85 RH w/ Power Locks.....	\$50⁹⁹
27510	84-85 LH w/o Power Locks.....	\$55⁹⁹
27511	84-85 RH w/o Power Locks.....	\$55⁹⁹
X2504	86-89 LH - 86-87 w/ Power Locks.....	\$52⁹⁹
X2505	86-89 RH - 86-87 w/ Power Locks.....	\$52⁹⁹



#430878 1988-1989 Saddle Armrests

1984-1989 ARMRESTS

Precise reproductions in all original colors. A great way to revive an aging interior. Save when you purchase a pair!

Find your 2-digit COLOR CODE on page 22.

4456	84-89 Door Panel Armrest - LH.....	\$123⁹⁹
4457	84-89 Door Panel Armrest - RH.....	\$123⁹⁹
4308	84-89 Door Panel Armrest - pr.....	\$242⁹⁹



1984-1996 OUTER DOOR SEALS

Exact reproduction Outer Door Seals, manufactured to fit perfectly.

2303	84-96 Outer Door Seal - LH.....	\$30⁹⁹
2305	84-96 Outer Door Seal - RH.....	\$30⁹⁹
X2177	84-96 Outer Door Seals - LH & RH.....	\$61⁹⁹
K1490	84-96 Door Seal Rivets - 6 pc.....	\$2⁹⁹



1984-1989 UPPER DOOR PANEL SEALS

Top-grade exact reproduction Upper Door Panel Seals, manufactured for a perfect fit.

X2180	84-89 Upper Door Panel Seals - pr.....	\$51⁹⁹
--------------	--	--------------------------



1984-1989 DEFROSTER BEZELS

X2254	84-89 Defroster Bezel - Front.....	\$5⁹⁹
X2255	84-89 Defroster Bezel - Upper LH.....	\$5⁹⁹
X2256	84-89 Defroster Bezel - Upper RH.....	\$5⁹⁹



1984-1989 ARMREST FILLERS

2310	84-89 Original Plastic - LH.....	\$16⁹⁹
2311	84-89 Original Plastic - RH.....	\$16⁹⁹
30090	84-89 Armrest Savers - Steel - LH & RH - pr.....	\$19⁹⁹





#37794 1984-1985
Door Panel Light Assembly - LH

1984-1989 DOOR PANEL LIGHT ASSEMBLIES

If you're replacing your door panels or bezels, now's the perfect time to replace worn or burned-out door panel lights with these correct reproduction Door Panel Light Assemblies.

- 37794** 84-85 Door Panel Light Assembly - LH **\$53⁹⁹**
- 37795** 84-85 Door Panel Light Assembly - RH **\$53⁹⁹**
- 37796** 86-89 Door Panel Light Assembly - LH **\$53⁹⁹**
- 37797** 86-89 Door Panel Light Assembly - RH **\$53⁹⁹**
- 51408** 84-89 Door Panel Light Lens - LH **\$25⁹⁹**
- 51409** 84-89 Door Panel Light Lens - RH **\$25⁹⁹**



1984-1989 UPPER DOOR PANEL TRIM

Forget those breakable plastic mounting studs. Metal mounting studs give you superior strength for less money!

- 25556** 86-89 Upper Door Panel Trim - Convertible - LH **\$154⁹⁹**
- 25557** 86-89 Upper Door Panel Trim - Convertible - RH **\$154⁹⁹**
- 2108** 84-89 Upper Door Panel Trim - Coupe - LH **\$102⁹⁹**
- 2109** 84-89 Upper Door Panel Trim - Coupe - RH **\$102⁹⁹**

1984-1989 REPLACEMENT DOOR SPEAKER GRILLE

A replacement door speaker grille for cars equipped with Bose or Delco stereos. Fits left or right side. It features original style fabric and a high-gloss finish (not satin black as original). Does not include Bose emblem.



- 43632** 84-89 Door Speaker Grille - Replacement **\$35⁹⁹**



#2751 1994-1996
Armrest Compartment
Lid Pad - Black RH



1994-1996 DOOR PANEL ARMREST COMPARTMENT LID PADS

- 2750** 94-96 Door Panel Armrest Compartment Lid Pad - LH **\$102⁹⁹**
- 2751** 94-96 Door Panel Armrest Compartment Lid Pad - RH **\$102⁹⁹**



1990-1996 DOOR PANEL SEALS

- 2752** 90-96 Door Panel Seal - Upper LH **\$36⁹⁹**
- 2753** 90-96 Door Panel Seal - Upper RH **\$36⁹⁹**

STAINLESS DOOR SILLS FROM AMERICAN CAR CRAFT

These polished stainless steel door sills will stand out everytime you open the door to your C4! Easy to install and will not tarnish, fade or rust.

- 55500** 88-96 Doorsills, Polished ...
Stainless Steel - 2 pc ... **\$152⁹⁹**



1984-1987 DOOR SILLS AND SILL PADS

Discontinued by GM, they are brought to you again in all their original detail and color! Featuring exact size and shape with perfect cutout for the parking brake lever on the LH sills.

Find your 2-digit COLOR CODE on page 22.

- 4634** 84-85 Door Sill - All - LH **\$298⁹⁹**
- 4638** 86-87 Door Sill - Coupe - LH **\$298⁹⁹**
- 4635** 84-87 Door Sill - Coupe - RH **\$298⁹⁹**
- 4917** 86-87 Door Sill - Convertible - LH **\$298⁹⁹**
- 4918** 86-87 Door Sill - Convertible - RH **\$298⁹⁹**
- 4636** 84-87 Door Sill Pads - pr **\$93⁹⁹**



1988-1996 DOOR SILL EXTENSIONS

CA's Door Sill Extensions are a direct replacement for the discontinued GM parts. They install easily at the top rear section of the factory door sills with two screws. Available in original colors to match your interior.

Find your 2-digit COLOR CODE on page 22.

- 4919** 88-96 Door Sill Extension - LH **\$54⁹⁹**
- 4920** 88-96 Door Sill Extension - RH **\$54⁹⁹**



WARNING: Cancer and Reproductive Harm -
www.P65Warnings.ca.gov



#27191 1986-1989
Upper Main Dash Pad



#27192 1984-1989
Upper Main Dash Pad Skin

1984-1989 DASH PADS

These 1984-1989 Upper Dash Pads feature correct padding, precut speaker grille holes and a precise fit. Available in original black.

- 27190** 84-85 Dash Pad.....**\$525⁹⁹**
- 27191** 86-89 Dash Pad.....**\$525⁹⁹**
- 27192** 84-89 Dash Pad Skin.....**\$164⁹⁹**



#26504 1984-1989
Dash Cap

1984-1989 DASH CAP

A quick and economical solution to a cracked and faded dash. Dash Cap slides over your existing dash in minutes. Available in black.

- 26504** 84-89 Dash Cap**\$139⁹⁹**



#30421 1984-1989
Dash Speaker Grille
LH without Bose

1984-1989 DASH SPEAKER GRILLES

Discontinued by GM, these speaker grilles are now reproduced by CA to finish your dash restoration project.

- 30423** 84-89 Dash Speaker Grille - LH w/ Bose**\$60⁹⁹**
- 30424** 84-89 Dash Speaker Grille - RH w/ Bose**\$60⁹⁹**
- 30421** 84-89 Dash Speaker Grille - LH w/o Bose.....**\$60⁹⁹**
- 30422** 84-89 Dash Speaker Grille - RH w/o Bose**\$60⁹⁹**



#464769 1984-1987
Console Side Panels - Gray



1984-1987 CONSOLE SIDE PANELS

Exact Reproductions of originals. Available in all original colors. Attach your Interior Color Code to the number below. Sold in pairs.
Find your 2-digit COLOR CODE on page 22.

- 4647_** 84-87 Console Side Panel - pr.....**\$288⁹⁹**



1984-1996 LEATHER CENTER ARMRESTS

So comfortable you'll wonder why you didn't install one sooner! Available in Leather (with vinyl sides & bottom) the Center Armrest simply attaches to your shift console with the included Velcro® tabs.

Find your 2-digit COLOR CODE on page 22.

- 4251_** 84-89 Leather Center Armrest.....**\$87⁹⁹**
- 4252_** 90-96 Leather Center Armrest.....**\$87⁹⁹**

Call or go online today to see a complete product line and to place your order!





1984-85

1986-87

1984-1987 PARK BRAKE LEVER COVERS

Find your 2-digit COLOR CODE on page 22.

4669_	84-85 Park Brake Lever Cover	\$49⁹⁹
4671_	86-87 Park Brake Lever Cover	\$49⁹⁹



#48165 1984-1989
Console Door with
Light - Black

#48166 1984-1987
Console Door with
Light - Graphite

#48169 1984-1987
Console Door with
Light - Saddle

1984-1989 CONSOLE DOORS WITH LIGHT

48165	84-89 Console Door w/ Light - Black	\$139⁹⁹
48166	84-87 Console Door w/ Light - Graphite	\$139⁹⁹
48167	84-87 Console Door w/ Light - Gray	\$139⁹⁹
48168	86-89 Console Door w/ Light - Red	\$139⁹⁹
48169	84-87 Console Door w/ Light - Saddle	\$139⁹⁹

1984-1996 CONSOLE DOORS & COMPONENTS

43815	84-89 Console Door Button	\$11⁹⁹
40425	84-89 Console Door Button Spring	\$4⁹⁹
24188	90-96 Console Door - Reproduction - Black - Includes Light & Plug	\$213⁹⁹



#464470
1984-1985
Console Cushion
Blue

#469184
1992-1996
Console Cushion
Gray w/ Logo

#469178
1990-1991
Console Cushion
Saddle w/ Logo

1984-1996 LEATHER CONSOLE CUSHIONS

Rejuvenate your worn console with a luxurious, leather console cushion that matches your interior color! These leather console cushions feature a leather top with vinyl sides and bottom. Simply wrap around your existing console lid for a factory look and fit. Adds comfort for you and your passenger! Available with or without embroidered C4 Logo.

Find your 2-digit COLOR CODE on page 22.

4690_	84-89 Leather Console Cushion w/ Logo	\$120⁹⁹
4644_	84-89 Leather Console Cushion w/o Logo	\$75⁹⁹
4691_	90-96 Leather Console Cushion w/ Logo	\$120⁹⁹
4646_	90-96 Leather Console Cushion w/o Logo	\$79⁹⁹

EMBROIDERED ITEMS ARE NON-RETURNABLE. See page 23.



#52139 1984-1989
Black Console Cushion w/ Logo - Import

For Black Leather, Made in U.S.A. Console Cushions: Order
#469020 (84-89) or **#469120** (90-96) above.

1984-1996 BLACK CONSOLE CUSHIONS W/ LOGO

Available in black only, these Console Cushions feature the C4 Corvette logo and an economical price.

52139	84-89 Console Cushion - Black w/ Logo - Import	\$40⁹⁹
--------------	--	--------------------------



WARNING: Cancer and Reproductive Harm -
www.P65Warnings.ca.gov

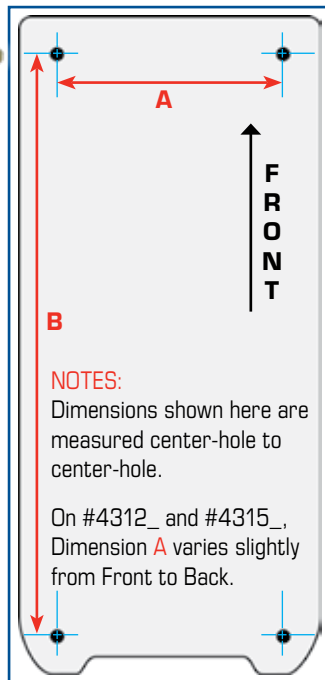




#431672 1984-1985
Saddle Shift Boot - Manual
with Electronic Overdrive

1984-1996 Shift Boot
Dimensions

Part #	Dimensions A x B
4312_ (Auto)	1-5/8" x 7-3/8"
4313_ (Auto)	1-1/4" x 8-1/2"
4316_ (Manual)	3" x 8"
4314_ (Manual)	3" x 6-3/4"
4315_ (Manual)	2-1/2" x 8-5/8"



1984-1996 SHIFT BOOTS

Match Your Interior!

There's more to life than basic black! Complement your interior with a shift boot that matches! Find your 2-digit COLOR CODE on page 22.

Shift boot mounting holes varied slightly during production. Measure your existing shift boot and reference the 1984-1996 Shift Boot Dimensions guide (above) before ordering.

4316_	84-85	Shift Boot - Manual w/ Electronic Overdrive on Console	\$59 ⁹⁹
4314_	84-88	Shift Boot - Manual w/ Electronic Overdrive on Knob.....	\$59 ⁹⁹
4312_	84-89	Shift Boot - Automatic.....	\$59 ⁹⁹
4315_	89-96	Shift Boot - Manual	\$59 ⁹⁹
4313_	90-96	Shift Boot - Automatic.....	\$59 ⁹⁹
1771	90-96	Shift Boot Installation Kit	\$4 ⁹⁹



#458427 1984-1985
Red Pile Carpet with Mass Back



Selecting 1984-1996 Carpet Sets:

1. Choose Your Carpet Backing

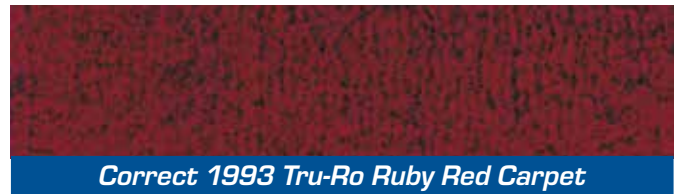
All 1984-1996 Carpet comes with your choice of Mass Back or Poly Back. Our Mass Back sets are 100% original. They feature the same hard-rubber backing used by the factory to reduce heat and noise. Or alternatively choose moisture-resistant Poly Back.

2. Choose The Configuration You Need.*

Choose from Full Sets, Front Sets or Rear Sets for Coupe or Convertible.

3. Add Your Color Code. Find your 2-digit COLOR CODE on page 22.

*Note: For Detailed Carpet Diagrams, illustrating each component of the carpet set, go online and search the part number of your Carpet Set.

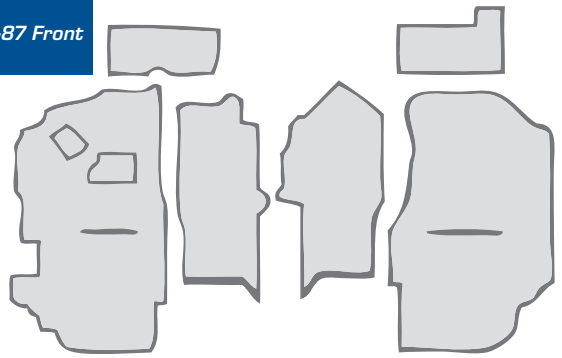


INCOMPARABLE DETAILS & QUALITY

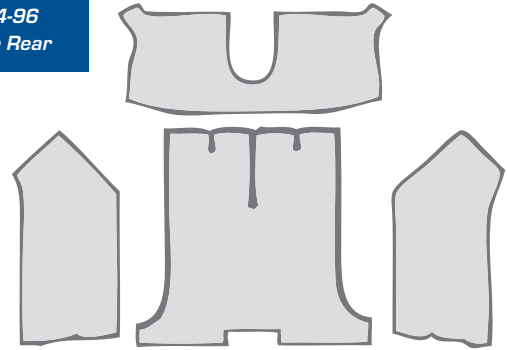
CORRECT 1993-1996 MASS BACKING

	Mass Back	Poly Back
1984-1987 Pile		
Set - Coupe	4584 \$545 ⁹⁹	4561 \$414 ⁹⁹
Set - Convertible	4585 \$551 ⁹⁹	4562 \$436 ⁹⁹
Front - All	4586 \$329 ⁹⁹	4563 \$268 ⁹⁹
Rear - Coupe	4587 \$385 ⁹⁹	4564 \$278 ⁹⁹
Rear - Convertible	4588 \$424 ⁹⁹	4565 \$288 ⁹⁹
1988-1989 Pile		
Set - Coupe	4589 \$614 ⁹⁹	4566 \$498 ⁹⁹
Set - Convertible	4590 \$612 ⁹⁹	4567 \$522 ⁹⁹
Front - All	4591 \$354 ⁹⁹	4568 \$291 ⁹⁹
Rear - Coupe	4592 \$365 ⁹⁹	4569 \$278 ⁹⁹
Rear - Convertible	4593 \$424 ⁹⁹	4570 \$198 ⁹⁹
1990-1993 Pile		
Set - Coupe 90-91	4594 \$653 ⁹⁹	4571 \$556 ⁹⁹
Set - Coupe 92-93	4583 \$652 ⁹⁹	4581 \$556 ⁹⁹
Set - Convertible	4595 \$660 ⁹⁹	4572 \$556 ⁹⁹
Front - All	4596 \$415 ⁹⁹	4573 \$220 ⁹⁹
Rear - Coupe 90-91	4597 \$409 ⁹⁹	4574 \$298 ⁹⁹
Rear - Coupe 92-93	4678 \$409 ⁹⁹	4582 \$298 ⁹⁹
Rear - Convertible	4598 \$409 ⁹⁹	4575 \$298 ⁹⁹
1993 Ruby Red Tru-Ro		
Set - Coupe	458386 \$662 ⁹⁹	458186 \$556 ⁹⁹
Set - Convertible	459586 \$653 ⁹⁹	457286 \$556 ⁹⁹
Front - All	459686 \$407 ⁹⁹	457386 \$315 ⁹⁹
Rear - Coupe	467886 \$409 ⁹⁹	458286 \$303 ⁹⁹
Rear - Conv.	459886 \$271 ⁹⁹	457586 \$303 ⁹⁹
1994-1996 Truvette		
Set - Coupe	4599 \$773 ⁹⁹	4576 \$551 ⁹⁹
Set - Convertible	4600 \$782 ⁹⁹	4577 \$406 ⁹⁹
Front - All	4601 \$468 ⁹⁹	4578 \$309 ⁹⁹
Rear - Coupe	4602 \$432 ⁹⁹	4579 \$298 ⁹⁹
Rear - Convertible	4603 \$432 ⁹⁹	4580 \$298 ⁹⁹

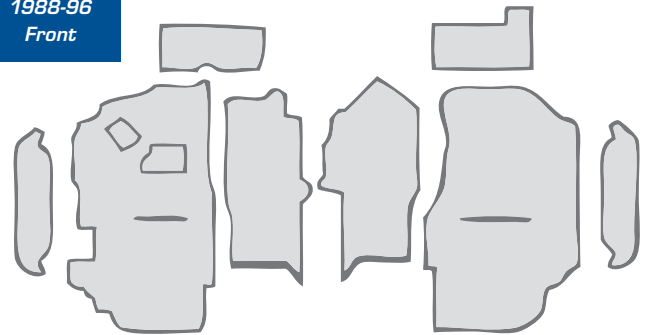
1984-87 Front



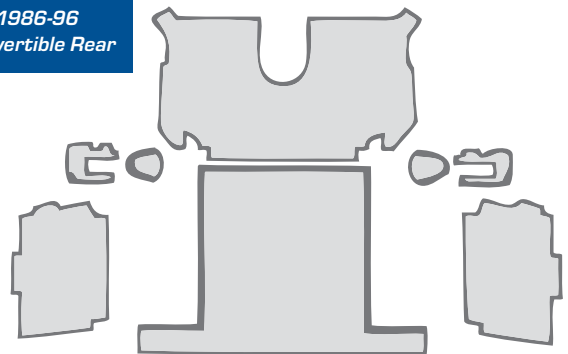
1984-96 Coupe Rear



1988-96 Front



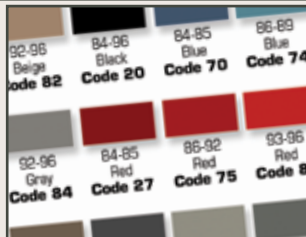
1986-96 Convertible Rear



Use Your Interior Color Code when you Order.

Complete the part number by adding your 2-digit color code in place of the blank.

Find your 2-digit COLOR CODE on page 22.



1990-1996 FRONT SPEAKER COVER ASSEMBLIES

Replace worn and torn speaker covers and match your original 1990-1996 interior color with these new Front Speaker Cover Carpets. These replacements feature carpet instead of the original cloth covers. Available with the Front Speaker Cover Carpets (pair) only or with the entire Front Speaker Cover Assemblies for the right and left sides.

Find your 2-digit COLOR CODE on page 22.

- 4717_ 90-93 Front Speaker Cover Assemblies - Pile - pr.....\$164⁹⁹
- 4719_ 94-96 Front Speaker Cover Assemblies - Truvette - pr.....\$164⁹⁹
- 4716_ 90-93 Front Speaker Cover Carpets - Pile - pr.....\$67⁹⁹
- 4718_ 94-96 Front Speaker Cover Carpets - Truvette - pr.....\$64⁹⁹



#471782 1992-1993 Front Speaker Cover Assembly - Beige Pile



WARNING: Cancer and Reproductive Harm - www.P65Warnings.ca.gov

(833) 4TopFlight | TopFlightAutomotive.com



1984-1996 CARPET & INSUL. (CONT'D)



1984-1996
Corvette **PARTS**



1984-1996
Corvette **INTERIORS**



1984-1996
Corvette **ACCESSORIES**



1984-1996
Corvette **WHEELS**

Call or go online today to see a complete product line and to place your order!



#41896 1991-1996
Front & Rear Heat
Barrier Kit - 7 pc.

1984-1996 HEAT BARRIER KITS

Beat the heat with this technologically advanced ceramic cloth reinforced with foil. Heat Barrier Kits reduce interior temperatures by up to 50%! Thermal rated to 2300°. It's only 1/8" thick, so your carpet will fit perfectly. Choose front-only or a full set. Pieces are labeled for easy installation.

24333	84-90 Coupe or Convertible - Front Only	\$132⁹⁹
24443	84-90 Coupe or Convertible - Front & Rear	\$183⁹⁹
41895	91-96 Coupe or Convertible - Front Only	\$132⁹⁹
41896	91-96 Coupe or Convertible - Front & Rear	\$183⁹⁹



1984-1996 ACOUSTISHIELD CARPET INSULATION

All AcoustiShield Thermal Acoustic Insulation Kits are Year-, Make- and Model-Specific for each vehicle. They're pre-cut to the proper shape and ready to install.

51972	84-96 Complete Car Set -Includes Body Panel Kit, Cowl Kit, Front & Rear Floor Kit, & Roof Kit	\$274⁹⁹
51975	84-96 Front Floor Kit	\$279⁹⁹
51976	84-96 Rear Floor Kit	\$299⁹⁹



1984-1996 FLOOR MATS



#27265 1996 Front Mats
Red with Black Applique



#24834 1986-1990
Convertible Cargo Mat -
Gray w/ Black Applique



#50123 1991-1994
Tan Velourtex Mats
w/ Black Applique



1984-1996 VELOURTEX MATS w/ C4 LOGOS

The Velourtex line of floor mats was created by Lloyd to provide a value priced, high quality automotive floor mat with the availability of Lloyd's broad range of trademark, lifestyle and personalized embroidery options.

Features:

- Premium nylon yarn
- Velvet smooth texture
- OEM matching colors
- Matching woven binding
- Custom fit mats for every vehicle
- Multi-layer backing protects original carpeting and keeps mats in place
- Factory compatible mat anchoring devices



Enlarged to show detail.



Floor Mats

	Black w/ Red	Black w/ Gold	Gray w/ Red	Gray w/ Black	Red w/ Black	Saddle w/ Black
1984-90	24901	24851	24905	24814	24815	24816
1991-95	27240	27255	27241	27246	27247	27248
1996	27258	27273	27259	27264	27265	27266

Cargo Mats

	Black w/ Red	Black w/ Gold	Gray w/ Red	Gray w/ Black	Red w/ Black	Saddle w/ Black
1984-90 Coupe	24911	24871	24915	24824	24825	24826
1986-90 Conv	24921	24881	24925	24834	24835	24836
1991-96 Coupe	27242	27256	27243	27249	27250	27251
1991-94 Conv	27244	27257	27245	27252	27253	27254
1995-96 Conv	27260	27269	27261	27263	27267	27268

1984-1996 LUXURY MATS

Original Style Logo in Your Choice of Colors!

Keep your carpet looking as good as new with high-quality, luxurious floor mats and matching cargo mat. Detailed embroidered logo applique is embedded in the carpet for durability. 1996 Floor Mats also feature grommet for the floor mat retaining post. 1984-1995 Floor mats feature correct Velcro® fastener.

84-96 Floor Mats - pr	\$138 ⁰⁰
84-96 Cargo Mat	\$138 ⁰⁰

50117	84-90	Black w/ C4 Red Velourtex Mats	\$119 ⁰⁰
50118	84-90	Gray w/ C4 Black Velourtex Mats	\$119 ⁰⁰
50119	84-90	Red w/ C4 Black Velourtex Mats	\$119 ⁰⁰
50120	91-94	Black w/ C4 Red Velourtex Mats	\$119 ⁰⁰
50121	91-94	Gray w/ C4 Black Velourtex Mats	\$119 ⁰⁰
50122	91-94	Red w/ C4 Black Velourtex Mats	\$119 ⁰⁰
50123	91-94	Tan w/ C4 Black Velourtex Mats	\$119 ⁰⁰
50124	95-96	Black w/ C4 Red Velourtex Mats	\$119 ⁰⁰
50125	95-96	Gray w/ C4 Black Velourtex Mats	\$119 ⁰⁰
50126	95-96	Red w/ C4 Black Velourtex Mats	\$119 ⁰⁰
50127	95-96	Tan w/ C4 Black Velourtex Mats	\$119 ⁰⁰
50134	84-90	Black w/ C4 Red Velourtex Cargo Mat - Coupe	\$119 ⁰⁰
50135	84-90	Gray w/ C4 Black Velourtex Cargo Mat - Coupe	\$119 ⁰⁰
50136	84-90	Red w/ C4 Black Velourtex Cargo Mat - Coupe	\$119 ⁰⁰
50137	84-90	Black w/ C4 Red Velourtex Cargo Mat - Conv	\$119 ⁰⁰
50138	84-90	Gray w/ C4 Black Velourtex Cargo Mat - Conv	\$119 ⁰⁰
50139	84-90	Red w/ C4 Black Velourtex Cargo Mat - Conv	\$119 ⁰⁰
50140	91-96	Black w/ C4 Red Velourtex Cargo Mat - Coupe	\$119 ⁰⁰
50141	91-96	Gray w/ C4 Black Velourtex Cargo Mat - Coupe	\$119 ⁰⁰
50142	91-96	Red w/ C4 Black Velourtex Cargo Mat - Coupe	\$119 ⁰⁰
50143	91-96	Tan w/ C4 Black Velourtex Cargo Mat - Coupe	\$119 ⁰⁰
50144	91-92	Black w/ C4 Red Velourtex Cargo Mat - Conv	\$119 ⁰⁰



WARNING: Cancer and Reproductive Harm -
www.P65Warnings.ca.gov

(833) 4TopFlight | TopFlightAutomotive.com



1984-1996 FLOOR MATS (CONTINUED)



#52117 1995-1996
Velourtex Black Mats
w/ Sideways Logo



1984-90 Sideways Logo



1991-96 Sideways Logo

1984-1996 VELOURTEX MATS w/ SIDEWAYS LOGOS

Now there are more color and logo options in the high-quality Velourtex line of floor mats for your C4 Corvette. These mats feature the C4 Logo and "CORVETTE" Script embroidered sideways along the outside edges of the mats.

52110	84-90	Black w/ Sideways C4 Logo & Script	\$119⁹⁹
52111	84-90	Gray w/ Sideways C4 Logo & Script	\$119⁹⁹
52112	84-90	Red w/ Sideways C4 Logo & Script	\$119⁹⁹
52113	91-94	Black w/ Sideways C4 Logo & Script	\$119⁹⁹
52114	91-94	Gray w/ Sideways C4 Logo & Script	\$119⁹⁹
52115	91-94	Red w/ Sideways C4 Logo & Script	\$119⁹⁹
52116	91-94	Tan w/ Sideways C4 Logo & Script	\$119⁹⁹
52117	95-96	Black w/ Sideways C4 Logo & Script	\$119⁹⁹
52118	95-96	Gray w/ Sideways C4 Logo & Script	\$119⁹⁹
52119	95-96	Red w/ Sideways C4 Logo & Script	\$119⁹⁹
52120	95-96	Tan w/ Sideways C4 Logo & Script	\$119⁹⁹



1991-1996 VELOURTEX MATS w/ ZR1, 40TH ANNIVERSARY OR GRAND SPORT LOGOS

Embroidered Velourtex Mats are also available for your ZR1, 40th Anniversary Edition or Grand Sport.

52124	91-94	Black w/ ZR1 Logo	\$119⁹⁹
52122	93	Black w/ 40th Anniversary Logo	\$119⁹⁹
52123	93	Burgundy w/ 40th Anniversary Logo	\$119⁹⁹

#47303 1984-1996
Basic Black Econo Mats



#47311 1984-1996
Basic Black Econo
Cargo Mat



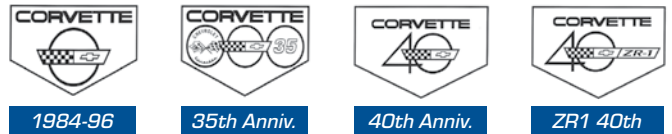
1984-1996 BASIC BLACK ECONO FLOOR MATS

A lightweight, economical version of the luxury mats. No logo. Available in basic black.

47303	84-96	Floor Mats - Basic Black Econo - pr	\$49⁹⁹
47311	84-96	Cargo Mats - Basic Black Econo - each	\$46⁹⁹



Your choice of correct year-specific logos!



1984-1996 BLACK RUBBER LOGO MAT SETS

The molded no-slip ribs and logo, stay-put bottom and durable rubber construction make these the best mats you can get for the price!

32720	84-89	Rubber Mats - Black Corvette	\$92⁹⁹
32721	88	Rubber Mats - 35th Anniversary	\$94⁹⁹
32723	90-96	Rubber Mats - Black Corvette	\$94⁹⁹
32724	93	Rubber Mats - 40th Anniversary	\$94⁹⁹
32725	93	Rubber Mats - 40th ZR1	\$94⁹⁹





#465474



#476120

1984-1996 CORVETTE CARPETED FLOOR MATS

Protect your interior's carpet with attractive Corvette Logo floor mats made from the same high-quality, color-matched carpet as the Complete Carpet Sets. Mats feature bound edges for durability and non-skid rubber backing. Sold in pairs.

Find your 2-digit COLOR CODE on page 22.

With Embossed GM Licensed Logo

These mats include a molded, GM Licensed logo as pictured above.

4654_	84-90 Carpeted Floor Mats w/ Embossed Logo - Cut Pile	\$106⁹⁹
4761_	91-96 Carpeted Floor Mats w/ Embossed Logo - Cut Pile	\$106⁹⁹

Truvette Carpet Textures

The same high-quality, color-matched carpeted floor mats as above, except in Truvette carpet textures. These mats do not include a logo.

4655_	93-95 Carpeted Floor Mats - Truvette.....	\$130⁹⁹
4657_	96 Carpeted Floor Mats - Truvette.....	\$86⁹⁹

Truvette Mats with OPTIONAL GM Licensed Logo

Add your choice of embroidered or embossed logo to **4655_** or **4657_** by selecting one of the numbers below for an additional **\$34⁹⁹**.

For **4655_**, 93-95 Carpeted Floor Mats:

4655LH	Embroidered Logo - Twin Vertical Corvette	\$36⁹⁹
4655LL	Embroidered Logo - Twin Vertical Grand Sport	\$36⁹⁹
4655LN	Embossed Vinyl Logo.....	\$36⁹⁹

For **4657_**, 96 Carpeted Floor Mats:

4657LH	Embroidered Logo - Twin Vertical Corvette	\$36⁹⁹
4657LL	Embroidered Logo - Twin Vertical Grand Sport	\$36⁹⁹
4657LN	Embossed Vinyl Logo.....	\$36⁹⁹




#465582 1994-1995
Beige Truvette Mats
with Embossed Logo
(#4655LN)



#465720 1996
Black Truvette Mats
with Embossed Logo
(#4657LN)

43639	90-96 Floor Mat Clip.....	\$5⁹⁹
--------------	---------------------------	-------------------------



 WARNING: Cancer and Reproductive Harm - www.P65Warnings.ca.gov

(833) 4TopFlight | TopFlightAutomotive.com



STEERING WHEELS



#447777 1988
35th Anniv. Refurbished
Steering Wheel



#28575 1984-1985
Black Refurbished
Steering Wheel

1984-1989 REFURBISHED ORIGINAL STEERING WHEELS

Unlike wheels which are simply rewrapped, we take original, structurally-sound steering wheels and carefully replace the original padding and leather, including the center section. Top quality leather and padding combined with special recovering technique results in a steering wheel that just might be better than when it came from the factory!

Note: Requires exchange of an original, rebuildable steering wheel. If an original is not available at time of purchase, a core charge of \$25 will be added to the price of the new Steering Wheel. This charge is completely refundable upon receipt of an acceptable core.

- 28575** 84-85 Refurbished Original Steering Wheel - Black **\$305⁹⁹**
- 28576** 86-89 Refurbished Original Steering Wheel - Black **\$305⁹⁹**
- 44777** 88 Refurbished Wheel - 35th Anniversary - White **\$325⁹⁹**



#43561 1984-1989
Black Reproduction
Steering Wheel



#46339 1988
35th Anniv. Reproduction
Steering Wheel



1984-1989 REPRODUCTION STEERING WHEELS

A new, reproduction steering wheel for a 1986-1989 Corvette. Or an upgrade from the original wheel in a 1984-1985 Corvette.

- 43561** 84-89 Steering Wheel - Black - 86-89 Reproduction - Replacement for 84-85 - No Core Charge **\$183⁹⁹**
- 46339** 88 Steering Wheel - New Reproduction - White 35th Anniversary - No Core Charge **\$266⁹⁹**



UNO



EURO

LEATHER STEERING WHEEL COVERS

These luxurious Genuine Leather Steering Wheel Covers are individually handcrafted in top-grade domestic leather with a patented lacing hole reinforcement design to ensure a perfect fit and easy installation. Choose from the two-tone (color with black) Euro Design or classic single-color style of the Uno Design.

- 40286** 84-85 Leather Steering Wheel Cover - Uno - Black **\$60⁹⁹**
- 40292** 86-89 Leather Steering Wheel Cover - Uno - Black **\$60⁹⁹**
- 40299** 90-93 Leather Steering Wheel Cover - Uno - Black **\$60⁹⁹**
- 40304** 94-96 Leather Steering Wheel Cover - Uno - Black **\$60⁹⁹**
- 40322** 94-96 Leather Steering Wheel Cover - Euro - Red **\$60⁹⁹**





#1921 1984-1986
Sun Visor with
Lighted Mirror - LH

#1923 1984-1986
Sun Visor with
Lighted Mirror - RH



1984-1996 SUN VISORS

1921	84-96 Sun Visor LH w/ Lighted Mirror - 84-86 Replace.....	\$101⁹⁹
1923	84-96 Sun Visor RH w/ Lighted Mirror - 84-85 Replace.....	\$101⁹⁹
40103	84-96 Replacement Sun Visor - LH	\$68⁹⁹
40104	84-96 Replacement Sun Visor - RH	\$68⁹⁹
58148	84-96 Replacement Sun Visors - pr.....	\$119⁹⁹
58149	84-96 Replacement Sun Visors w/ Lighted Mirrors - pr.....	\$193⁹⁹
20223	90-96 Sun Visor Air Bag Warning Label - Outside of Mirror	\$9⁹⁹
20224	90-96 Sun Visor Air Bag Warning Label.....	\$4⁹⁹
43432	84-96 Sun Visor Support Spring.....	\$4⁹⁹
43433	84-96 Sun Visor Support Retainer.....	\$4⁹⁹

Note: Reuse original Sun Visor Connector for 84-85 Corvettes.



#40114 1984-1996
Embroidered Sun Visor - RH



#40109 1984-1996
Embroidered Sun Visor - LH



Original (1997-2004 visor shown here)



Refurbished

1984-1996 SUN VISOR REFURBISHING SERVICE

Give Your Sun Visors a lift! We now offer a Sun Visor Refurbishment Service for 1984-2004 (C4 & C5) Corvettes. Simply send us your original visors and we'll completely disassemble them down to individual components which are cleaned as necessary.

We then remanufacture your visor using a new substrate, liner, padding and outer material assembled with your original hardware, mirror and wiring. Your visors are returned to you looking like new, ready to be installed back in your Corvette.

90305	84-96 Sun Visor Refurbishing Service.....	\$91⁹⁹
--------------	---	--------------------------

1984-1996 EMBROIDERED SUN VISORS

These embroidered sun visors are just like the replacement visors, but with a beautifully embroidered C4 Emblem. Available in black only with your choice of embroidered logo:

Add Part **#4357** for the 84-90 Logo or Part **#4358** for the 91-96 Logo.

40109	84-96 Sun Visor - LH - Embroidered.....	\$98⁹⁹
40114	84-96 Sun Visor - RH - Embroidered	\$98⁹⁹



#4357 - 1984-1990 Logo



#4358 - 1991-1996 Logo

EMBROIDERED ITEMS ARE NON-RETURNABLE. See page 23.



#473020 1984-1990
Coupe Rear Roof Panels - Black



1984-1996 COUPE REAR ROOF PANELS

Available in Every Color to Match Your Interior!

These hard-to-find Rear Roof Panels are now available in every original color. Sold in pairs.

Find your 2-digit COLOR CODE on page 22.

4730	84-90 Coupe Rear Roof Panels - pr	\$298 ⁹⁹
4731	91-96 Coupe Rear Roof Panels - pr	\$298 ⁹⁹
K1172	84-93 Coupe Halo Panel Screws - 9 pc	\$4 ⁹⁹
43247	84-96 Coupe Coat Hanger Screw - ea	\$2 ⁹⁹



#49594 1986-1996
Embroidered Coupe Roof Panel Headliner



1984-1996 EMBROIDERED COUPE ROOF PANEL HEADLINER

These Embroidered Roof Panel Headliners finish off your interior with a GM-Licensed Corvette Emblem embroidered in the front/center of the Headliner. Just like the Reproduction Coupe Roof Panel Headliners, they simply press into place using the existing fasteners from your original roof panels.

42811	84-85 Embroidered Headliner	\$229 ⁹⁹
49594	86-96 Embroidered Headliner	\$229 ⁹⁹



#36245 1984-1986
Header Molding

#36241 1984-1989
Pillar Post - LH



#36242 1984-1989
Pillar Post - RH



1984-1996 PILLAR POSTS & HEADER MOLDINGS

36241	84-89 Pillar Post - LH	\$123 ⁹⁹
36242	84-89 Pillar Post - RH	\$123 ⁹⁹
36243	90-96 Pillar Post - LH	\$123 ⁹⁹
36244	90-96 Pillar Post - RH	\$123 ⁹⁹
36245	84-86 Header Molding - 86 Coupe Early	\$144 ⁹⁹
36246	86-88 Header Molding - 86 Coupe Late 86 Convertible - 87-88 All	\$144 ⁹⁹
36247	89-96 Header Molding	\$144 ⁹⁹
K1175	84-96 Windshield Header Panel Screws - 4 pc	\$3 ⁹⁹
K1177	84-96 Windshield Pillar Post Screws - 6 pc	\$3 ⁹⁹



1984-1996 REAR DECK TRIM

This 3-Piece Set (**#41365**) includes the Center, Left-Hand and Right-Hand Deck Trim. Rear Deck Trim pieces have been discontinued by GM but are now manufactured by CA.

41365	84-96 Rear Deck Trim - 3 pc set	\$216 ⁹⁹
K1178	84-96 Coupe Rear Window Side Trim Screws - 4 pc	\$2 ⁹⁹

Some discontinued GM Rear Deck Trim Pieces are still available:

36248	84-96 Rear Deck Trim - LH - GM	\$79 ⁹⁹
36250	84-96 Rear Deck Trim - Center - GM	\$237 ⁹⁹





#42802 1984-1985
Coupe Roof Panel
Headliner



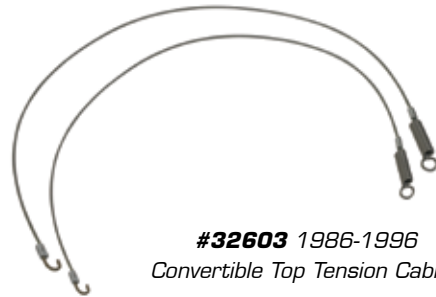
#21089 1986-1996
Black Convertible
Top Headliner

**1984-1996 REPRODUCTION
COUPE ROOF PANEL HEADLINERS**



Original on all 1984-1996 Corvettes with fiberglass roof panels, the Roof Panel Headliner helps reduce interior heat and noise. Now, you can replace your damaged or aged liner with these reproduction liners. Simply press into place using the existing fasteners from your original roof panels. In black only, as original.

- 42802** 84-85 Coupe Roof Panel Headliner.....**\$164⁹⁹**
- 49588** 86-96 Coupe Roof Panel Headliner.....**\$164⁹⁹**



#32603 1986-1996
Convertible Top Tension Cables

EMBROIDERED ITEMS ARE NON-RETURNABLE. See page 23.

1986-1996 SOFTTOP HEADLINER

When replacing your Convertible Top, remember to check your headliner too. If it's faded, worn or damaged these replacement softtop headliners gives you the same quality as original at incredible savings!

- 21089** 86-96 Softtop Headliner.....**\$229⁹⁹**
- 32603** 86-96 Softtop Tension Cables - pr.....**\$35⁹⁹**



#41618 1984-1996
Embroidered Top Bag



Top Bags Embroidered with Your Choice of C4 Logo!

1984-1996 EMBROIDERED TOP BAGS

Embroidered Top Bags that feature your choice of embroidered C4 Logo. Made of durable, heavyweight interior vinyl, they have a Velcro® closure and a soft, felt-like inner surface for maximum protection.

- 41618** 84-96 Embroidered Top Bags - w/ 84-90 Logo.....**\$109⁹⁹**
- 41619** 84-96 Embroidered Top Bags - w/ 91-96 Logo.....**\$109⁹⁹**



#X2037 1984-1996
Black Top Bag

1984-1996 TOP BAGS

Enjoy the breeze without the worries of scratching your top panel. These Top Bags feature Velcro® closures and special mounting-bracket cutouts for easy mounting in the rear storage area of your Corvette.

- X2037** 84-96 Top Bag - Black.....**\$50⁹⁹**



WARNING: Cancer and Reproductive Harm -
www.P65Warnings.ca.gov



REAR STORAGE COMPARTMENT

#37356 1984-1991
Storage Door Assembly

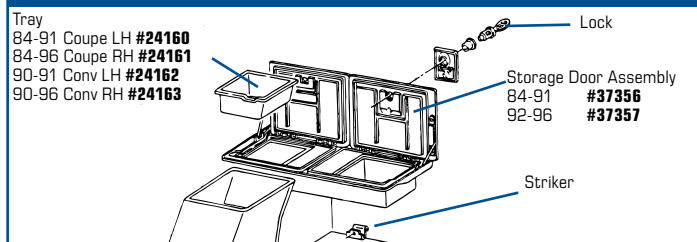


#24161 1984-1996
Coupe Rear Compartment Tray - RH

1984-1996 REAR STORAGE

37356	84-91	Storage Door Assembly	\$199⁹⁹
37357	92-96	Storage Door Assembly	\$199⁹⁹
24160	84-91	Rear Compartment Tray - Coupe LH	\$32⁹⁹
24161	84-96	Rear Compartment Tray - Coupe RH	\$32⁹⁹
24162	90-91	Rear Compartment Tray - Convertible LH	\$17⁹⁹
24163	90-96	Rear Compartment Tray - Convertible RH	\$32⁹⁹
31605	84-96	Center Compartment Door Latch Striker	\$11⁹⁹
K1192	84-96	Rear Compartment Frame Screws - 10 pc	\$6⁹⁹
K1181	84-96	Rear Compartment Latch Escutcheon Screws - 2 pc	\$2⁹⁹
K1191	84-96	Rear Compartment Lock Screws - 4 pc	\$6⁹⁹
K1173	84-93	Rear Compartment Lock Cover Screws - Coupe - 4 pc	\$4⁹⁹
K1179	84-96	Coupe Rear Compartment Lower Trim Screws - 8 pc	\$2⁹⁹
K1184	84-96	Coupe Rear Window Comp. Tray Screws - 2 pc	\$2⁹⁹

1984-96 REAR STORAGE COMPARTMENT



1984-1993 INTERIOR SCREW KIT

This Interior Screw Kit contains virtually every screw used inside your Corvette, packaged according to specific use and identified with a convenient master listing. Kit will work for coupe or convertible!

Coupe Total = 136 Convertible Total = 120

4 Arm Rest Filler	5 Glove Box Hinge	4 Rear Window Molding *
1 Coat Hanger *	9 Glove Box Lid	2 Rear Window Tray *
6 Door Accessory Bezel	1 Mirror	9 Roof Halo Molding *
2 Door Handle Escutcheon	3 Park Brake Pillar Post	4 Shift Plate
14 Door Panels	6 Pillar Post	4 Side Glass Defroster Header Molding
4 Door Lamp	10 Rear Compartment Frame	4 Windshield
4 Door Leg Rear	4 Rear Compartment Lock Covers	
6 Door Sill Plates	6 Rear Compartment Lower Trim	
8 Door Speakers	8 Rear Speakers	
8 Gauge Cluster		

* Not required on convertibles.

K1190 84-93 Interior Screw Kit..... **\$38⁹⁹**



1984-1996 INTERIOR DYE AND ADHESIVE

Formulated and mixed by us, so it's guaranteed to be right! Use CA Interior Dye and get accurate color and solid coverage on leather, vinyl, fiberglass, plastic and metal.

Find your 2-digit COLOR CODE on page 22.

4319	Dye - 16 oz. Aerosol	\$20⁹⁹
4321	Dye - Quart	\$85⁹⁹
UN432000	Primer - 16 oz. Aerosol	\$20⁹⁹
UN432100	Primer - Quart	\$31⁹⁹
UN49720	Interior Dye Adhesive Promoter	\$32⁹⁹
UN49721	Interior Dye Clear Coat	\$32⁹⁹
UN49722	Interior Dye Surface Prep	\$22⁹⁹
UN8568	Spray Adhesive	\$30⁹⁹

Interior Dyes - CA's Interior Dye produces accurate color and solid coverage on leather, vinyl, fiberglass, plastic and metal. Available in a 12-oz. Aerosol spray or Quart. Use your interior Color Code to complete the part number.

Dye Surface Prep - Use Surface Prep to remove dirt, oils and residue before priming. Fast drying and ready to paint in minutes.

Adhesive Promoter - Promotes strong, even adhesion of topcoat material when repairing or refinishing plastics. Also works on most flexible or rigid plastics on painted surfaces.

Primer - For best results, finish off your prep work with quality primer. Promotes even paint coverage and a better finish.

Spray Adhesive - This high-tack Interior Spray Adhesive is easy to work with and produces a strong bond between hardparts & materials.

Interior Dye Clear Coat - Protect your reconditioning work for years to come with Interior Clear Coat. Covers your interior components with a smooth, protective finish & preserves your interior's color.



#K1190 1984-1993
Interior Screw Kit





1986-1993 CONVERTIBLE TOPS

Whether you need an exact reproduction top or an economical replacement, we have you covered. All 1986-1993 Convertible Tops feature plastic rear windows as original. Available in your choice of original Stayfast Cloth, original vinyl or economical high-quality replacement vinyl.

These tops also work as replacements for 1994-1996 Convertible Tops with glass rear windows. All Convertible Tops include an Eight-Year Manufacturer's Warranty.

1986-1993 EXACT REPRODUCTION STAYFAST CLOTH

7885	86-93 Convertible Top - Reproduction - Black	\$399⁹⁹
21126	91-92 Convertible Top - Reproduction - Dark Blue.....	\$399⁹⁹
21090	91-93 Convertible Top - Reproduction - Beige.....	\$399⁹⁹
21091	93 Convertible Top - Reproduction - Ruby Red	\$444⁹⁹

1986-1991 ORIGINAL VINYL

7886	86-91 Convertible Top - Original Vinyl - Saddle.....	\$332⁹⁹
-------------	--	---------------------------

1986-1996 REPLACEMENT VINYL

7887	86-96 Convertible Top - Replacement Vinyl - Black.....	\$332⁹⁹
7888	86-96 Convertible Top - Replacement Vinyl - White.....	\$332⁹⁹

1986-1993 CONVERTIBLE TOPS - STAYFAST

These Convertible Top Kits include New Stayfast Top, Pads, Straps, Wire-On & Chrome Tips.

7924	86-93 Convertible Top Kit - Stayfast - Black	\$489⁹⁹
7925	86-93 Convertible Top Kit - Stayfast - White.....	\$489⁹⁹
7926	86-93 Convertible Top Kit - Stayfast - Ruby Red	\$489⁹⁹
58203	86-93 Convertible Top Kit - Stayfast - Dark Blue/Beige Inner ..	\$399⁹⁹
58204	86-93 Convertible Top Kit - Stayfast - Beige.....	\$399⁹⁹
58205	86-93 Convertible Top Kit - Stayfast - Brown/Black Inner	\$399⁹⁹
58206	86-93 Convertible Top Kit - Stayfast - Brown	\$399⁹⁹
58207	86-93 Convertible Top Kit - Stayfast - Black/Brown Inner	\$399⁹⁹
58210	94-96 Convertible Top Kit - Stayfast - Beige/Black Inner.....	\$539⁹⁹
58211	94-96 Convertible Top Kit - Stayfast - Black	\$539⁹⁹

1986-1993 CONVERTIBLE TOPS - VINYL

These Vinyl Convertible Tops include the new Top, Pads, Straps, Wire-On & Chrome Tips.

7927	86-93 Convertible Top - Vinyl - Black.....	\$269⁹⁹
7928	86-93 Convertible Top - Vinyl - White	\$269⁹⁹
58209	94-96 Convertible Top Kit - Vinyl - Bright White/Black Inner ..	\$449⁹⁹

1986-1996 CONVERTIBLE TOPS - TWILLFAST

These Convertible Top Kits include New Twillfast Top, Pads, Straps, Wire-On & Chrome Tips.

58208	86-93 Convertible Top Kit - Twillfast - Black.....	\$675⁹⁹
58212	94-96 Convertible Top Kit - Twillfast - Black/Black Wove In.	\$675⁹⁹

1994-1996 CONVERTIBLE TOPS

Exact reproduction tops for your 1994-96 Convertible.

Choose from Stayfast cloth or white vinyl, each as original. They feature a glass rear window and defroster, just like the original. Best of all, these 1994-1996 Convertible Tops offer tremendous savings, costing hundreds of dollars less than factory replacements!

21127	94-96 Convertible Top - Beige	\$539⁹⁹
21128	94-96 Convertible Top - Black	\$539⁹⁹
21129	94-96 Convertible Top - White - Vinyl as original.....	\$499⁹⁹

1986-1996 SOFTTOP PAD KIT

These Softtop Pads fit between your convertible top and frame.

21130	86-96 Softtop Pad Kit.....	\$39⁹⁹
--------------	----------------------------	--------------------------



1986-1996 DECK LID PROTECTORS

Deck Lid Protectors prevent scratches and keep your rear deck looking new by covering the area where your top comes in contact with your rear deck. Made of static cling film, they require no adhesives.

21554	86-96 Rear Deck Lid Protector - Hardtop - Clear.....	\$27⁹⁹
21555	86-96 Rear Deck Lid Protector - Hardtop - Black.....	\$27⁹⁹
21552	86-96 Rear Deck Lid Protector - Softtop - Clear.....	\$27⁹⁹
21553	86-96 Rear Deck Lid Protector - Softtop - Black.....	\$27⁹⁹

1984-1993 CONVERTIBLE REAR WINDOW PILLOW

This soft, foam-filled Rear Window Pillow prevents damage to your convertible's rear window. When stowed, the window wraps smoothly around the Rear Window Pillow to eliminate creases and scratches.

X2581	84-93 Convertible Rear Window Pillow	\$13⁹⁹
--------------	--	--------------------------

RAGGTOPP CONVERTIBLE TOP CLEANER & PROTECTANTS

Provides ultraviolet protection with UV stabilizers to protect from all elements. Will not harm paint, glass, chrome or plastic windows.

UN0337	RaggTopp Fabric/Vinyl Top Cleaner - 16oz spray	\$14⁹⁹
UN0338	RaggTopp Fabric Top Protectant - 14oz aerosol.....	\$26⁹⁹
UN0336	RaggTopp Cleaner and Fabric Top Protectant Set	\$41⁹⁹
UN0339	RaggTopp Vinyl Top Protectant - 16oz spray.....	\$19⁹⁹
UN0340	RaggTopp Cleaner & Vinyl Top Protectant Set.....	\$34⁹⁹



WARNING: Cancer and Reproductive Harm -
www.P65Warnings.ca.gov

(833) 4TopFlight | TopFlightAutomotive.com



1984-1996 PARTS

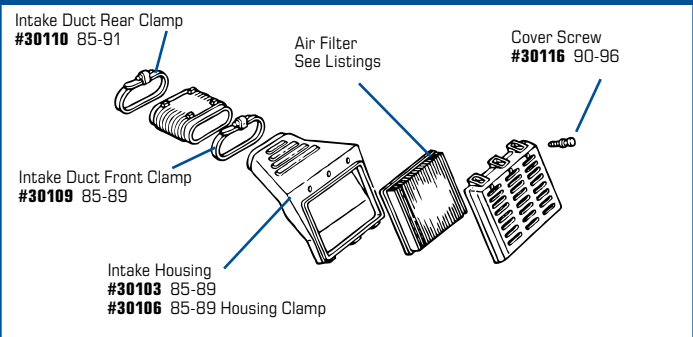
AIR INTAKE



1984-1996 AIR INTAKE

30120	90-96	Air Cleaner Bolt - Short	\$12⁹⁹
51530	85-89	Air Cleaner Cover - High Performance.....	\$46⁹⁹
51531	90-96	Air Cleaner Cover - High Performance.....	\$50⁹⁹
51407	85-89	Air Cleaner Cover Nut.....	\$8⁹⁹
52166	84	Air Cleaner Duct to Hood Seal.....	\$49⁹⁹
34150	84	Air Cleaner Element - Stock	\$48⁹⁹
51007	84-96	Air Cleaner Element.....	\$22⁹⁹
34151	85-89	Air Cleaner Element - Stock	\$24⁹⁹
34152	90-96	Air Cleaner Element - Stock	\$35⁹⁹
51158	90-96	Air Cleaner Element - Replacement.....	\$24⁹⁹
30116	90-96	Air Cleaner Element Cover Bolt	\$11⁹⁹
30117	84	Air Cleaner Gasket - 2 req'd.....	\$4⁹⁹
54229	85-89	Air Cleaner Housing.....	\$130⁹⁹
34153	84	Air Cleaner Lid Knob.....	\$24⁹⁹
30273	87-91	Air Filter Water Deflector.....	\$12⁹⁹
30109	85-89	Air Intake Duct Clamp - Front	\$8⁹⁹

TYPICAL 1985-91 AIR INTAKE



30110	85-91	Air Intake Duct Clamp - Rear - Exc ZR1.....	\$19⁹⁹
30103	85-89	Air Intake Housing	\$241⁹⁹
30106	85-89	Air Intake Housing Retainer Clamp	\$42⁹⁹
50370	90-95	Intake Manifold Actuator.....	\$149⁹⁹
50196	90-95	Intake Manifold Gasket	\$47⁹⁹
X2404	94-96	Mass Air Flow Housing	\$40⁹⁹
41705	86-87	Mass Air Flow Sensor - GM.....	\$1113⁹⁹
41707	94-96	Mass Air Flow Sensor.....	\$126⁹⁹
51075	94-96	Mass Air Flow Sensor - Remanufactured.....	\$108⁹⁹
30365	85-89	Mass Air Flow Sensor Seal	\$2⁹⁹
50705	87-92	Mass Air Flow Sensor Relay.....	\$23⁹⁹
51511	84-96	Intake Manifold Gasket Kit	\$42⁹⁹

1984-1996 K&N REUSABLE HIGH-FLOW AIR FILTERS

K&N high-performance, high-flow air filters increase air flow, improving power and mileage; operate at a higher level of efficiency for a longer period of time than stock filters; and are washable, reusable filters that will be good for the life of your engine.



50457	84	Air Filter Element - K&N.....	\$101⁹⁹
50460	85-89	Air Filter Element - K&N.....	\$91⁹⁹
50466	90-96	Air Filter Element - K&N.....	\$107⁹⁹

1985-1996 THROTTLE BODY AIRFOIL

Gain 12 Horsepower in 5 minutes!

Increases air flow by reducing power-zapping turbulence. For tuned port injection engines, the Air Charger straightens air flow as it enters the intake plenum, smoothing turbulent air and streamlining it for increased flow. The net result is additional power, better throttle response and faster acceleration. Installs easily without modifications. Attaches to throttle body with one screw, included.



3290	85-96	Throttle Body Airfoil - Exc LT4 / ZR1	\$35⁹⁹
-------------	-------	---	--------------------------



#39052 1991
Battery Cable -
Positive Manual



#50963 1993-1996
Battery Cable - Negative
Battery to Switch

1984-1996 BATTERY

50956	84	Battery Cable - Positive	\$32⁹⁹
50957	84-96	Battery Cable - Negative - Ground	\$31⁹⁹
50958	84	Battery Cable - Negative - Battery to Switch	\$22⁹⁹
50959	85	Battery Cable - Positive/Negative - Battery to Switch	\$26⁹⁹
39049	90-92	Battery Cable - Positive - ZR1 - GM	\$68⁹⁹
39052	91	Battery Cable - Positive - Manual	\$85⁹⁹
50963	93-96	Battery Cable - Negative - Battery to Switch	\$40⁹⁹
39050	93-95	Battery Cable - Positive - ZR1 - GM	\$81⁹⁹
34154	92-96	Battery Insulator - GM	\$24⁹⁹
30130	84-96	Battery Hold Down Clamp	\$4⁹⁹
50086	84-96	Battery Terminal Bolt	\$3⁹⁹
29828	84-96	Battery Wrench Side Terminal	\$17⁹⁹

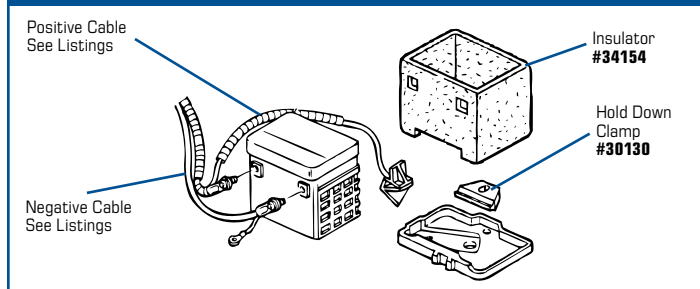
**1984-1996 BATTERY
DISCONNECT SWITCH**

Prevent battery drain and electrical fire hazards during storage. One twist of the terminal's knob disconnects, another twist reconnects!



X2515	84-96	Side Post Battery Disconnect Switch	\$9⁹⁹
K1473	84-96	Side Post Battery Disconnect Switch Bolt	\$2⁹⁹

1984-96 BATTERY



Call or go online today to see a complete product line and to place your order!



WARNING: Cancer and Reproductive Harm -
www.P65Warnings.ca.gov

(833) 4TopFlight | TopFlightAutomotive.com





#1563 1988
Master Cylinder

#50965 1990-1991
Brake Booster -
Remanufactured



#43062 1984-1987
4 pc. Caliper Set
- Remanufactured



1984-1996 MASTER CYLINDERS

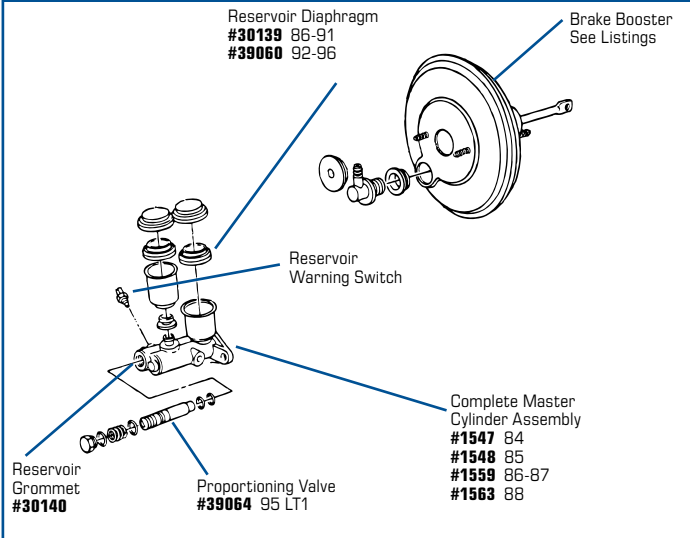
1547	84	Master Cylinder	\$205 ⁹⁹
1548	85	Master Cylinder	\$162 ⁹⁹
49623	89-91	Master Cylinder	\$193 ⁹⁹
51047	84-96	Master Cylinder Bleeder Tool	\$24 ⁹⁹
34156	92-96	Master Cylinder Cap w/ Diaphragm	\$9 ⁹⁹
40359	84-91	Master Cylinder Cap Cover - Chrome	\$24 ⁹⁹
30148	95-96	Master Cylinder Pressure Warning Switch - LT1, LT4	\$136 ⁹⁹
30138	84-91	Master Cylinder Reservoir - Exc 86-87	\$19 ⁹⁹
30139	86-91	Master Cylinder Reservoir Diaphragm	\$15 ⁹⁹
39060	92-96	Master Cylinder Reservoir Diaphragm	\$12 ⁹⁹
30140	84-91	Master Cylinder Reservoir Grommet	\$12 ⁹⁹
39063	92-96	Master Cylinder Reservoir O-Ring Seal	\$6 ⁹⁹
45491	84-91	Brake Booster - Metal - Replacement	\$172 ⁹⁹
34160	90-91	Brake Booster - Exc ZR1 - 6-spd	\$489 ⁹⁹
50965	90-91	Brake Booster - Exc ZR1 - Remanufactured	\$242 ⁹⁹
52258	84-96	Brake Booster Check Valve - Delco	\$203 ⁹⁹
50733	92-96	Brake Fluid Sensor	\$12 ⁹⁹
39064	95-96	Proportioning Valve - 95 LT1	\$114 ⁹⁹

1984-1987 BRAKE CALIPERS

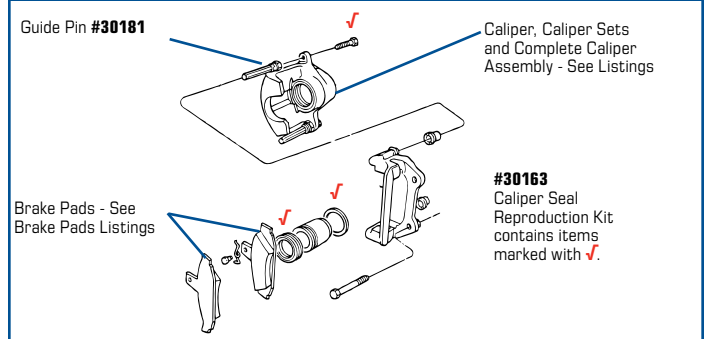
43063	84-87	Caliper Remanufactured - LF *	\$75 ⁹⁹
43064	84-87	Caliper Remanufactured - LR *	\$75 ⁹⁹
43065	84-87	Caliper Remanufactured - RF *	\$75 ⁹⁹
43066	84-87	Caliper Remanufactured - RR *	\$75 ⁹⁹
43062	84-87	Caliper Remanufactured - 4 pc set *	\$272 ⁹⁹
34165	84-96	Caliper Bleeder Valve	\$5 ⁹⁹
34166	84-96	Caliper Bleeder Valve Cap	\$5 ⁹⁹
30181	84-96	Caliper Guide Pin - 84-87 Front / All RR	\$16 ⁹⁹
30163	84-87	Caliper Seal / Repair Kit - Front	\$9 ⁹⁹
See 1984-1987 FRONT CALIPER Diagram for contents of #30163 .			
30171	84-87	Caliper Seal / Repair Kit - Rear	\$21 ⁹⁹

* A \$75 Core Charge (per caliper) is applied when ordering Remanufactured Calipers. A \$300 Core Charge is applied to #43062.

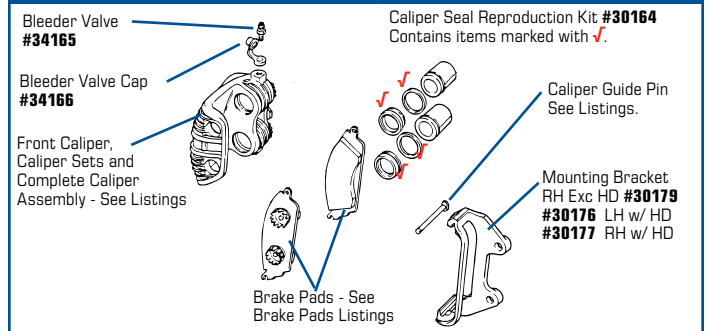
1984-96 MASTER CYLINDER



1984-87 FRONT CALIPER



1988-96 FRONT CALIPER





1988-1996 CALIPER COVERS



Made of 6061-T6 Aerospace Aluminum. Available in Powdercoated Red, Black or Brushed Silver. Reduces brake dust, hides ugly calipers, reduces caliper heat & brake fade. Easy Installation! Four piece sets made in the USA.

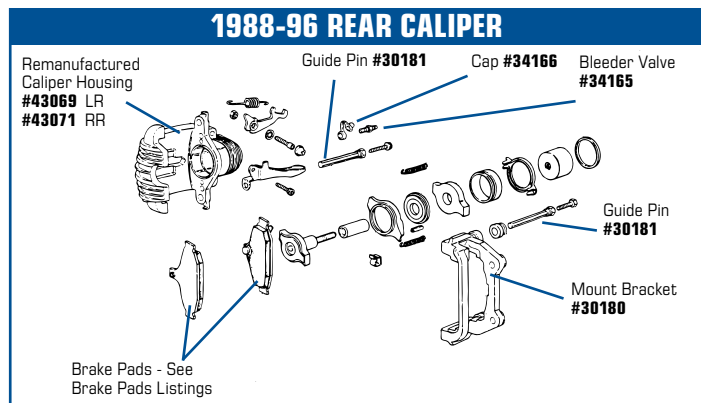
- 52951** 88-96 Yellow w/ Black Stingray Script\$249⁹⁹
- 52952** 88-96 Red w/ Silver Corvette Script.....\$249⁹⁹
- 52953** 88-96 Yellow w/ Black Corvette Script.....\$249⁹⁹

1988-1996 BRAKE CALIPERS

- 43068** 88-96 Caliper Remanufactured - LF *\$75⁹⁹
- 43069** 88-96 Caliper Remanufactured - LR *\$99⁹⁹
- 43070** 88-96 Caliper Remanufactured - RF *\$75⁹⁹
- 43071** 88-96 Caliper Remanufactured - RR *\$99⁹⁹
- 43067** 88-96 Caliper Remanufactured - 4 pc set *\$325⁹⁹
- 30159** 88-96 Caliper - Front LH w/ HD - New Assembly\$168⁹⁹
- 43081** 88-96 Caliper - Front Left - Big Brake - Remanufactured**\$89⁹⁹
- 43082** 88-96 Caliper - Front Right - Big Brake - Remanufactured**.....\$89⁹⁹
- 41759** 88-96 Disc Brake Hardware Kit\$8⁹⁹
- 34165** 84-96 Caliper Bleeder Valve.....\$5⁹⁹
- 34166** 84-96 Caliper Bleeder Valve Cap.....\$5⁹⁹
- 30200** 88-94 Caliper Guide Pin - Front w/o HD - w/ clips & retainer\$16⁹⁹
- 30176** 88-96 Caliper Mount Bracket - Front w/ HD - LH\$107⁹⁹
- 30177** 88-96 Caliper Mount Bracket - Front w/ HD - RH.....\$107⁹⁹
- 30179** 88-94 Caliper Mount Bracket - Front w/o HD - RH.....\$56⁹⁹
- 29876** 88-96 Caliper Mount Bracket - Front - LH.....\$59⁹⁹
- 29887** 88-96 Caliper Mount Bracket - Front - RH.....\$59⁹⁹
- 30164** 88-96 Caliper Seal / Repair Kit - Front - 2 req'd.....\$8⁹⁹
- 30170** 88-96 Caliper Seal / Repair Kit - Rear - 2 req'd.....\$27⁹⁹
- 30181** 88-96 Caliper Guide Pin\$16⁹⁹
- 30180** 88-96 Caliper Mount Bracket - Rear - 2 req'd.....\$84⁹⁹
- 50831** 88-96 Caliper Piston - Rear\$14⁹⁹

* A \$75 Core Charge (per caliper) is applied when ordering Remanufactured Calipers. A \$300 Core Charge is applied to #43067 (4-pc. set).

** A \$100 Core Charge (per caliper) is applied when ordering Remanufactured Calipers (Big Brake).



#34170 1988-1996
Aftermarket Rear Brake Rotor



1984-1996 BRAKE ROTORS

- 2631** 84-87 Brake Rotor - Front.....\$33⁹⁹
- 52142** 84-87 Brake Rotor - Front - Delco.....\$62⁹⁹
- 30190** 88-94 Brake Rotor - Front - Exc HD\$39⁹⁹
- 52143** 88-94 Brake Rotor - Front - Exc HD - Delco Professional Grade.....\$82⁹⁹
- 30191** 88-96 Brake Rotor - Front w/ HD,FE7,J55 - LH - Exc GS\$101⁹⁹
- 30192** 88-96 Brake Rotor - Front w/ HD,FE7,J55 - RH - Exc GS.....\$101⁹⁹
- 39056** 96 Brake Rotor - Front - LH - Collector / Grand Sport / Export.....\$127⁹⁹
- 2630** 84-87 Brake Rotor - Rear.....\$35⁹⁹
- 52141** 84-87 Brake Rotor - Rear - Delco.....\$59⁹⁹
- 34170** 88-96 Brake Rotor - Rear.....\$43⁹⁹
- 52144** 88-96 Brake Rotor - Rear - Delco Professional Grade\$70⁹⁹

POWER SLOT ROTORS

Power Slot Rotors utilize the revolutionary Vac-U-Slot system to evacuate the hot gases that build up between your rotors and pads while maintaining 96% of the active braking area. Because they're not drilled, they stand up to stress and maintain their integrity much longer than most cross-drilled rotors.



POWER SLOT ROTORS

- 43273** 84-87 Front Brake Rotor - LH.....\$83⁹⁹
- 43274** 84-87 Front Brake Rotor - RH.....\$83⁹⁹
- 43275** 84-87 Rear Brake Rotor - LH.....\$84⁹⁹
- 43276** 84-87 Rear Brake Rotor - RH.....\$84⁹⁹
- 43277** 88-95 Front Brake Rotor - 12" - LH.....\$113⁹⁹
- 43278** 88-95 Front Brake Rotor - 12" - RH.....\$113⁹⁹
- 43279** 88-96 Front Brake Rotor - 13" - LH.....\$133⁹⁹
- 43280** 88-96 Front Brake Rotor - 13" - RH.....\$133⁹⁹
- 43281** 88-96 Rear Brake Rotor - LH.....\$124⁹⁹
- 43282** 88-96 Rear Brake Rotor - RH.....\$124⁹⁹

POWER SLOT ROTOR KITS

Save money when you buy all four rotors.

- 43300** 84-87 Rotor Kit - 4 rotors.....\$376⁹⁹
- 43301** 88-95 Rotor Kit - 4 rotors - 12".....\$438⁹⁹
- 43302** 88-96 Rotor Kit - 4 rotors - 13".....\$463⁹⁹



1984-1987 BRAKE PADS

- 30184** 84-87 Brake Pads - Front Axle Set.....\$24⁹⁹
- 30185** 84-87 Brake Pads - Rear Axle Set.....\$19⁹⁹
- 30188** 84-87 Brake Pads - Front & Rear Car Set.....\$39⁹⁹
- 50881** 84-87 Brake Pads - Front Set - Pro Grade\$77⁹⁹
- 50882** 84-87 Brake Pads - Rear Set - Pro Grade\$70⁹⁹

1988-1996 BRAKE PADS

- 30186** 88-96 Brake Pads - Front Axle Set.....\$24⁹⁹
- 30187** 88-96 Brake Pads - Rear Axle Set.....\$21⁹⁹
- 30189** 88-96 Brake Pads - Front & Rear Car Set\$49⁹⁹
- 50883** 88-96 Brake Pads - Front Set - Pro Grade\$116⁹⁹
- 50884** 88-96 Brake Pads - Rear Set - Pro Grade\$65⁹⁹



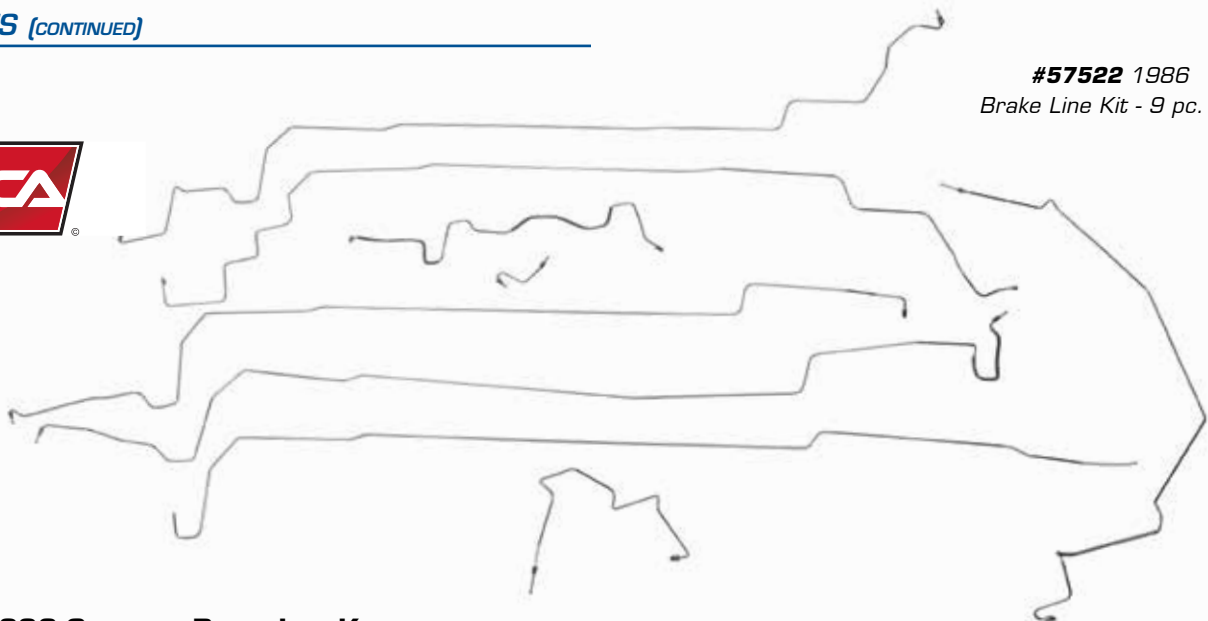
WARNING: Cancer and Reproductive Harm - www.P65Warnings.ca.gov

(833) 4TopFlight | TopFlightAutomotive.com



#57522 1986

Brake Line Kit - 9 pc. OE



1984-1996 COMPLETE BRAKE LINE KITS

Replacement OEM pre-bent Brake Lines. Typical kits include the hard metal brake lines from the master cylinder to the distribution block then down to the wheels. Some kits also include ABS lines, wheel cylinder inlet, caliper inlet, or transfer tubes. Available in either OE Steel or Stainless Steel tubing with the factory appropriate SAE or ISO size and color end fittings.

57511	84-85 Brake Line Kit - 6 pc. OE \$219⁹⁹
57512	84-85 Brake Line Kit - 10 pc. OE w/ Rubber Hoses \$363⁹⁹
57513	84-85 Brake Line Kit - 10 pc. SS w/ Rubber Hoses \$393⁹⁹
57514	84-85 Brake Line Kit - 10 pc. OE w/ SS Braided Hoses \$363⁹⁹
57515	84-85 Brake Line Kit - 10 pc. SS w/ SS Braided Hoses \$393⁹⁹
57516	84-85 Brake Line Kit - 6 pc. SS \$312⁹⁹
57522	86 Brake Line Kit - 9 pc. OE \$279⁹⁹
57523	86 Brake Line Kit - 13 pc. OE w/ Rubber Hoses \$363⁹⁹
57524	86 Brake Line Kit - 13 pc. SS w/ Rubber Hoses \$393⁹⁹
57525	86 Brake Line Kit - 13 pc. SS w/ SS Braided Hoses \$394⁹⁹
57526	86 Brake Line Kit - 9 pc. SS \$299⁹⁹
57501	87 Brake Line Kit - 9 pc. OE \$219⁹⁹
57502	87 Brake Line Kit - 13 pc. OE w/ Rubber Hoses \$363⁹⁹
57503	87 Brake Line Kit - 13 pc. SS w/ Rubber Hoses \$393⁹⁹
57504	87 Brake Line Kit - 13 pc. SS w/ SS Braided Hoses \$394⁹⁹
57505	87 Brake Line Kit - 9 pc. SS \$249⁹⁹
57506	88-91 Brake Line Kit - 9 pc. OE \$219⁹⁹
57507	88-91 Brake Line Kit - 13 pc. OE w/ Rubber Hoses \$363⁹⁹
57508	88-91 Brake Line Kit - 13 pc. SS w/ Rubber Hoses \$393⁹⁹
57509	88-91 Brake Line Kit - 13 pc. SS w/ SS Braided Hoses \$394⁹⁹
57510	88-91 Brake Line Kit - 9 pc. OE \$249⁹⁹
57527	92-93 Brake Line Kit - 9 pc. OE \$259⁹⁹
57528	92-93 Brake Line Kit - 13 pc. OE w/ Rubber Hoses \$363⁹⁹
57529	92-93 Brake Line Kit - 13 pc. SS w/ Rubber Hoses \$393⁹⁹
57530	92-93 Brake Line Kit - 13 pc. SS w/ SS Braided Hoses \$394⁹⁹
57531	92-93 Brake Line Kit - 9 pc. SS \$299⁹⁹
57517	94-95 Brake Line Kit - 8 pc. OE \$219⁹⁹
57518	94-95 Brake Line Kit - 12 pc. OE w/ Rubber Hoses \$363⁹⁹
57519	94-95 Brake Line Kit - 12 pc. SS w/ Rubber Hoses \$393⁹⁹
57520	94-95 Brake Line Kit - 12 pc. SS w/ SS Braided Hoses \$394⁹⁹
57521	94-95 Brake Line Kit - 8 pc. SS \$249⁹⁹
57532	96 Brake Line Kit - 7 pc. OE \$219⁹⁹
57533	96 Brake Line Kit - 11 pc. OE w/ Rubber Hoses \$363⁹⁹
57534	96 Brake Line Kit - 11 pc. SS w/ Rubber Hoses \$393⁹⁹
57535	96 Brake Line Kit - 11 pc. SS w/ SS Braided Hoses \$394⁹⁹
57536	96 Brake Line Kit - 7 pc. SS \$249⁹⁹



1984-1996 BRAIDED BRAKE LINE KITS

Braided Stainless Steel Brake Lines eliminate sponginess, increase responsiveness & improve overall brake performance. They last longer than rubber lines & they're DOT approved. Kits include: 4 braided lines & all necessary hardware.

44806	84-87 Stainless Steel - Braided Brake Line Kit \$116⁹⁹
44811	88-93 Stainless Steel - Braided Brake Line Kit \$122⁹⁹
44816	94-96 Stainless Steel - Braided Brake Line Kit \$114⁹⁹



#34171 1993
Front Brake Hose



1984-1996 BRAKE HOSES

30195	84-87 Brake Hose - Front - 2 req'd \$19⁹⁹
30196	88-92 Brake Hose - Front - LH \$16⁹⁹
30197	88-92 Brake Hose - Front - RH \$16⁹⁹
34171	93 Brake Hose - Front - 2 req'd \$9⁹⁹
34172	94-96 Brake Hose - Front - LH \$28⁹⁹
34173	94-96 Brake Hose - Front - RH \$28⁹⁹
30198	84-87 Brake Hose - Rear \$30⁹⁹
50832	88-92 Brake Hose - Rear - LH \$24⁹⁹
50833	88-92 Brake Hose - Rear - RH \$24⁹⁹
34174	93-96 Brake Hose - Rear \$25⁹⁹
30201	84-88 Brake Hose Copper Washer \$0⁹⁹
30204	84-96 Brake Hose Fitting Bolt \$10⁹⁹
30207	84-96 Brake Hose Retainer \$26⁹⁹
57596	84-87 Stopflex Brake Hose Kit 4 pc. \$149⁹⁹
57597	88-92 Stopflex Brake Hose Kit 4 pc. \$149⁹⁹
57598	94-96 Stopflex Brake Hose Kit 4 pc. \$149⁹⁹



1986-1996 ABS BRAKE COMPUTER, SENSORS & RELAYS

50826	86-89 ABS Computer Module - Remanufactured	\$376⁹⁹
50967	92-93 ABS Computer Module - Remanufactured	\$366⁹⁹
50840	94-95 ABS Computer Module - Remanufactured	\$397⁹⁹
50704	86-95 ABS Brake Relay	\$75⁹⁹
50726	92-94 ABS Brake Relay - Exc ZR1	\$44⁹⁹
50733	92-96 Brake Fluid Sensor	\$12⁹⁹



#50704 1986-1995
ABS Brake Relay

1984-1996 SPEED BLEEDER® VALVES

Bleed your brakes all by yourself with Speed Bleeder® Brake Valves. Made of zinc-coated steel with a stainless steel check ball and a patented thread sealing system to prevent air from being pulled back into the system during the bleeding process. Dust protection caps included. Sold in pairs.



40835	84-96 Speed Bleeder Brake Valves - pr	\$16⁹⁹
--------------	---	--------------------------



#30215 1984-1987
Park Brake Shoes



BRAKE FLUID

48171	DOT 3 Super HD Brake Fluid - Quart	\$6⁹⁹
48172	DOT 4 - Quart	\$12⁹⁹
4117	Silicone Brake Fluid - Quart - Do not use w/ ABS Brakes	\$18⁹⁹
1636	Brake Bleeder System	\$10⁹⁹



#52276 1984-1987
Stainless Steel Park
Brake Cable - LR



#52256 1988-1996
Stainless Steel Park
Brake Cable - Front

EPOXY CALIPER & ROTOR PAINT KIT

Apply a hard, long-lasting and protective coat of paint to your brake calipers and rotors without removing them. Kit includes cleaner, paint, stir stick, brush and instructions. Must ship ground.

43016	Epoxy Paint Kit - Black	\$40⁹⁹
43014	Epoxy Paint Kit - Red	\$40⁹⁹
43017	Epoxy Paint Kit - Silver	\$50⁹⁹
43015	Epoxy Paint Kit - Yellow	\$40⁹⁹



CALIPER, DRUM & ROTOR PAINT

Apply Brake Caliper, Drum and Rotor Paint to protect your brake components from the harmful effects of the elements. This durable, weather-resistant, high-heat coating helps prevent chipping, cracking and corrosion. Must ship ground.

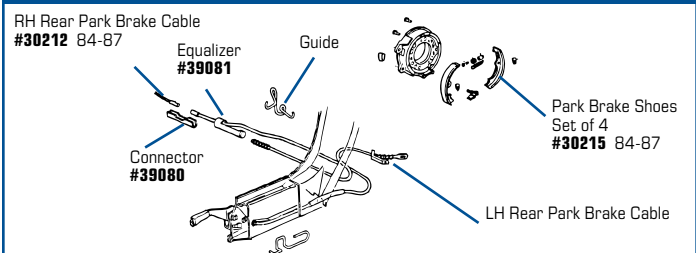
46486	Brake Paint - Bright Yellow	\$14⁹⁹
46484	Brake Paint - Gloss Black	\$14⁹⁹
46481	Brake Paint - Real Red	\$19⁹⁹
46487	Brake Paint - Satin Black	\$14⁹⁹



1984-1996 PARK BRAKE

30215	84-87 Park Brake Shoes - Set of 4	\$50⁹⁹
52275	84-87 Park Brake Cable - Front - Stainless Steel	\$24⁹⁹
52276	84-87 Park Brake Cable - Rear - LH - Stainless Steel	\$24⁹⁹
52277	84-87 Park Brake Cable - Rear - RH - Stainless Steel	\$24⁹⁹
52298	84-87 Park Brake Cable Kit - Front & Rear	\$81⁹⁹
52299	84-87 Park Brake Cables & Shoes Kit	\$143⁹⁹
52256	88-96 Park Brake Cable - Front - Stainless Steel	\$31⁹⁹
52278	88-96 Park Brake Cable - Rear - Stainless Steel - 2 req'd	\$24⁹⁹
52300	88-96 Park Brake Cable Kit - Front & Rear	\$81⁹⁹
39080	84-96 Park Brake Cable Connector	\$3⁹⁹
39081	84-87 Park Brake Cable Equalizer	\$10⁹⁹
K1170	84-93 Park Brake Cover Screws - 3 pc	\$2⁹⁹

1984-96 PARK BRAKE



WARNING: Cancer and Reproductive Harm -
www.P65Warnings.ca.gov

(833) 4TopFlight | TopFlightAutomotive.com





#39114 1991-1996
Front Bumper Energy Absorber



#24020 1984-1990
Front Bumper Molding - Center



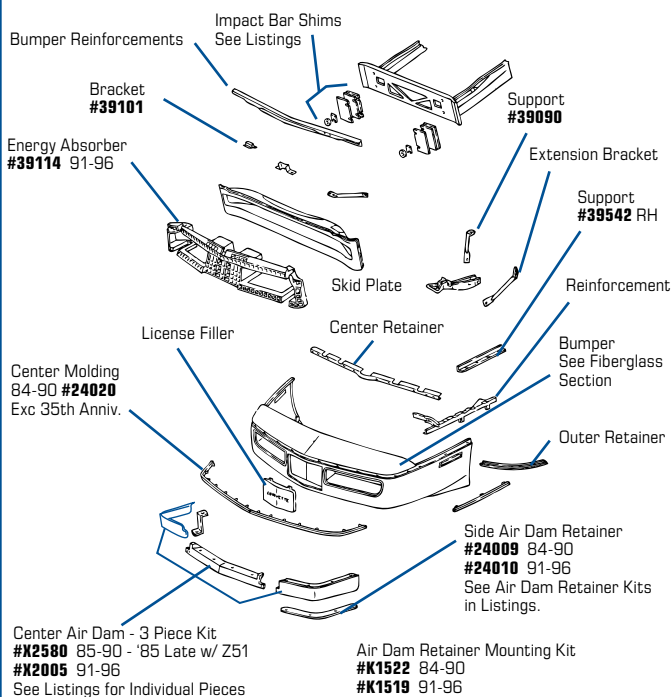
#24025 1984-1990
Front Bumper Molding - LH

1984-1996 FRONT BUMPER

39101	84-88 Bumper Reinforcement Bracket - 2 req'd	\$20⁹⁹
39114	91-96 Front Bumper Energy Absorber	\$222⁹⁹
39118	91-96 Front Bumper Energy Absorber Bolt	\$10⁹⁹
39117	93-96 Front Bumper Energy Absorber Spacer	\$47⁹⁹
24020	84-90 Front Bumper Molding - Center	\$363⁹⁹
24025	84-90 Front Bumper Molding - LH	\$74⁹⁹
24026	84-90 Front Bumper Molding - RH	\$74⁹⁹
39097	84-90 Impact Bar Front	\$345⁹⁹
39113	91-96 Impact Bar Front	\$345⁹⁹
39103	85-90 Impact Bar Shim - 30 mm Diameter	\$27⁹⁹
39104	84-93 Impact Bar Shim - 21 x 38 mm	\$30⁹⁹
39105	84-96 Impact Bar Shim - 53 x 177 x 0.8 mm	\$6⁹⁹
39106	84-96 Impact Bar Shim - 53 x 177 x 3 mm	\$34⁹⁹
39090	84-96 Impact Bar Skid Plate Support	\$55⁹⁹
39116	91-96 Impact Bar Stud Plate	\$32⁹⁹
51675	95-96 Nut Clip U-Shape	\$1⁹⁹

See More Bumpers in the Fiberglass Section.

1984-96 FRONT BUMPER



#X2580 1985-1990 Front Air Dam - 3 pc.

1984-1990 FRONT SPOILERS

X2580	85-90 Front Spoiler - 3 Piece Kit - 85 Late w/ Z51 - BEST VALUE!	\$50⁹⁹
24002	84-85 Front Spoiler - Center - 85 Early - 2 1/4" high	\$70⁹⁹
24000	84-85 Front Spoiler - LH - 85 Early - 3 1/2" high	\$75⁹⁹
24001	84-85 Front Spoiler - RH - 85 Early - 3 1/2" high	\$59⁹⁹
24005	85-90 Front Spoiler - Center - 85 Late - 3" high	\$24⁹⁹
24003	85-90 Front Spoiler - LH - 85 Late - 4 1/4" high	\$24⁹⁹
24004	85-90 Front Spoiler - RH - 85 Late - 4 1/4" high	\$24⁹⁹
41788	84-90 Front Spoiler Mounting Kit - 26 pc set	\$13⁹⁹
24009	84-90 Front Spoiler Retainer - LH or RH	\$21⁹⁹
24014	84-90 Front Spoiler Retainer Kit - 5 pc	\$96⁹⁹
24013	84-96 Front Spoiler Retainer Kit - 3 pc	\$62⁹⁹
K1522	84-90 Front Spoiler Retainer Mounting Kit	\$16⁹⁹



1991-1996 FRONT SPOILERS

X2005	91-96 Front Spoiler - 3 Piece Kit - BEST VALUE!	\$50⁹⁹
24006	91-96 Front Spoiler - LH	\$26⁹⁹
24007	91-96 Front Spoiler - RH	\$26⁹⁹
24008	91-96 Front Spoiler - Center	\$30⁹⁹
K1518	91-96 Front Spoiler Mounting Kit - 20 pc	\$10⁹⁹
24010	91-96 Front Spoiler Retainer - LH or RH	\$22⁹⁹
24013	84-96 Front Spoiler Retainer Kit - 3 pc	\$62⁹⁹
K1519	91-96 Front Spoiler Retainer Mounting Kit	\$8⁹⁹





#4105 1984-1996
Black with Silver Letters



#4077 1984-1996
Black with Silver Letters & Border

1984-1996 CORVETTE LICENSE PLATES

The classic Corvette script is displayed in raised lettering on ABS plastic. Available with or without chrome border.

- #4105 84-96 Chrome Letters \$14⁹⁹
- #4077 84-96 Chrome Letters & Border \$14⁹⁹



#2422 1984-1990
ZR1 Style Rear
Bumper Installation Kit



#24031 1984-1990
Rear Bumper Molding - LH



1984-1996 EMBLEM FRONT LICENSE PLATES

Here's an easy way to cover the front plate holder with style.

- #42525 84-96 Black w/ Mirrored C4 Emblem \$32⁹⁹
- #43772 84-96 Mirrored w/ Black C4 Emblem \$32⁹⁹

SHOW-YOUR-YEAR LICENSE FRAMES

In black for 1984-1996. Steel construction. Simply attach your two-digit year to the four-digit number below.



- #4710_ Show-Your-Year Frame \$17⁹⁹

ELITE SERIES LICENSE FRAMES

Place the final touch on your Corvette with a license plate frame that features your Vette's logo on a chrome-plated frame. These frames mount with TOP HOLES ONLY.



- #49817 Chrome License Frame \$34⁹⁹



#26895 1984-1990
Front License Plate Cover



#26896 1991-1996
Front License Plate Cover

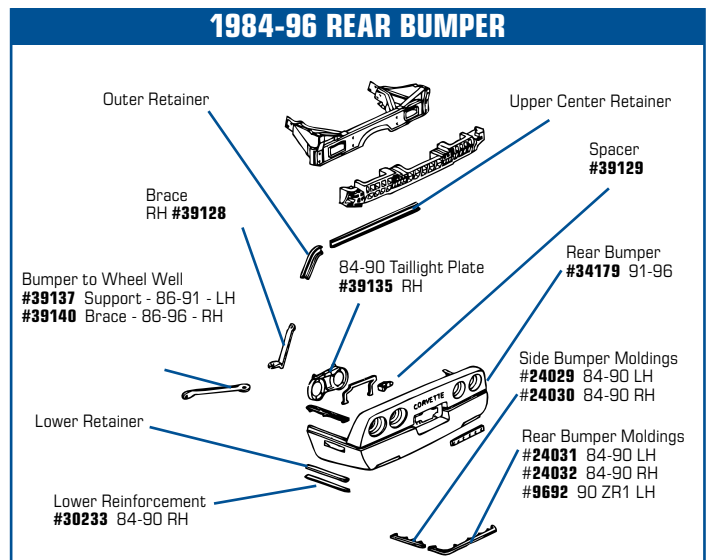
1984-1996 LICENSE PLATE COVERS

- #26895 84-90 Front License Plate Cover \$27⁹⁹
- #26896 91-96 Front License Plate Cover \$33⁹⁹

1984-1996 REAR BUMPER

- #41883 88-96 Neoprene A-Arm Fender Seals \$42⁹⁹
- #39128 86-92 Bumper to Upper Body Brace - Conv - RH \$54⁹⁹
- #39140 86-96 Bumper to Wheel Well Brace - RH - Exc ZR1 \$37⁹⁹
- #39137 86-91 Bumper to Wheel Well Support - LH \$38⁹⁹
- #34179 91-96 Rear Bumper - Urethane - Exc ZR1 \$789⁹⁹
- #39153 93-96 Rear Bumper Cover Bracket - Center - 2 req'd \$0⁹⁹
- #39129 84-96 Rear Bumper Cover Spacer \$4⁹⁹
- #30233 84-90 Rear Bumper Cover Reinforcement - Lower - RH \$37⁹⁹
- #39135 84-90 Tail lamp Mount Plate - RH \$48⁹⁹
- #39152 92-96 Upper Body Panel Support - Coupe - 2 req'd \$3⁹⁹
- #2422 84-90 Rear Bumper Installation Kit - ZR1 \$503⁹⁹
- #24031 84-90 Rear Bumper Molding - LH \$85⁹⁹
- #24032 84-90 Rear Bumper Molding - RH \$85⁹⁹
- #24041 84-90 Rear Bumper Moldings - pr \$101⁹⁹
- #24029 84-90 Rear Bumper Molding - Outer - LH \$74⁹⁹
- #24030 84-90 Rear Bumper Molding - Outer - RH \$74⁹⁹
- #24037 90 Rear Bumper Center Molding - LH - ZR1 \$85⁹⁹
- #24038 90 Rear Bumper Center Molding - RH - ZR1 \$85⁹⁹
- #9692 90 Rear Bumper Molding - Outer - LH - ZR1 \$46⁹⁹

See More Bumpers in the Fiberglass Section.



= Shipped by truck freight.

WARNING: Cancer and Reproductive Harm - www.P65Warnings.ca.gov



#44286
1984-1989 Radiator
Dual Core w/ 1" Tubes



#51991
1990-1996 Radiator
Dual Core w/ 1" Tubes
with EOC



**DIRECT
FIT**
Radiators

- No Modifications
- Fit to Stock Hoses
- Greater Cooling Capacity
- 3-Year Manufacturer's Warranty

1984-1996 DIRECT-FIT ALUMINUM RADIATORS

Direct Fit Aluminum Radiators fit up to the factory hoses and original supports— no cutting, bending or installing different hoses. Each core features a double row of extra wide, high-quality tubes, louvered fins and press-formed end tanks. Cores are furnace brazed for the ultimate tube-to-header welds without epoxy. Best of all, they cost much less than other Aluminum Radiators. Three-year Manufacturer's Warranty.

44286	84-89 Radiator - Direct Fit - Correct for all 84-89	\$689⁹⁹
44287	90-96 Radiator - Direct Fit Manual.....	\$639⁹⁹
44288	90-96 Radiator - Direct Fit Automatic	\$689⁹⁹
51991	90-96 Radiator - Direct Fit w/ EOC.....	\$689⁹⁹



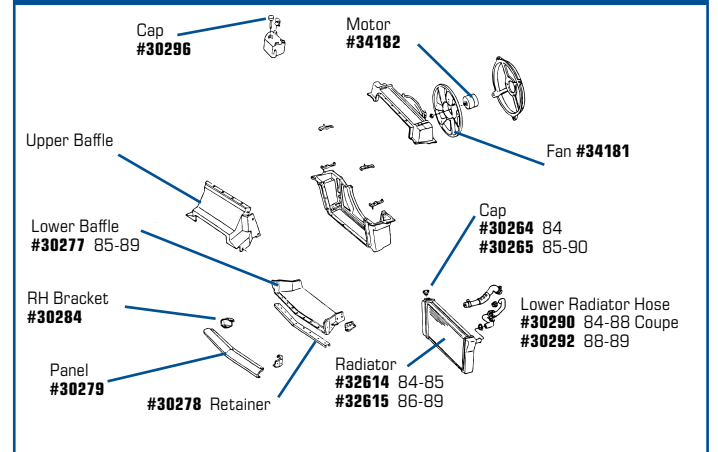
#58412 1990-1996
SPAL Dual 11" Fan Upgrade kit for
DeWitt's 2-Row Core Radiators

58437	84-89 Radiator - Direct Fit Single Core w/ 1.5"Tube w/ Auto Transmission Cooler	\$469⁹⁹
58438	84-89 Radiator - Direct Fit Dual Core w/ 1" Tubes - Auto.....	\$689⁹⁹
58439	90-96 Radiator - Direct Fit Single Core w/ 1.5"Tube w/ Auto Transmission Cooler	\$469⁹⁹
58440	90-96 Radiator - Direct Fit Single Core w/ 1.5"Tube Natural Finish	\$419⁹⁹
58441	90-96 Radiator - Direct Fit Dual Core w/ 1" Tubes - Auto.....	\$689⁹⁹
58442	90-96 Radiator - Direct Fit Dual Core w/ 1" Tubes w/ EOC....	\$689⁹⁹
58443	90-96 Radiator - Direct Fit Dual Core w/ 1" Tubes - Manual...	\$639⁹⁹

1984-1996 COOLING

58412	90-96 SPAL Dual 11" Fan Upgrade Kit for DeWitt's 2-Row Core Radiators	\$419⁹⁹
58415	90-96 SPAL Dual 11" Fan Upgrade Kit for DeWitt's Single Core & OEM Radiators	\$419⁹⁹
58428	84-96 DeWitt's SPAL Fan Temp Switch 185 On/165 Off.....	\$39⁹⁹
58429	84-96 DeWitt's SPAL Fan Temp Switch 195 On/175 Off.....	\$39⁹⁹
58430	84-96 DeWitt's SPAL Fan Wiring Harness with Relay	\$54⁹⁹
58431	84-96 DeWitt's SPAL Fan Wiring Harness with Relay & Temp Switch	\$79⁹⁹
58432	84-96 DeWitt's Universal Billet Machined 15 lb. Gripper Cap...	\$64⁹⁹
58433	84-96 DeWitt's Universal Billet Machined Silver 15 lb. Gripper Cap.....	\$54⁹⁹
58434	84-96 DeWitt's Universal Billet Machined 15 lb. Round Cap.....	\$54⁹⁹
58435	84-96 DeWitt's Universal Billet Machined Silver 15 lb. Round Cap.....	\$44⁹⁹
58422	84-89 SPAL Single 16" Fan Kit w/Adapter Plate - 2300 CFM..	\$229⁹⁹

1984-89 COOLING





#34188 1992-1994
Rear Upper Radiator Hose - LT1



#27403 1984-1993
Thermostat - 160 Degree

Stant



#30296 1984-1996
Coolant Recovery
Reservoir Tank Cap

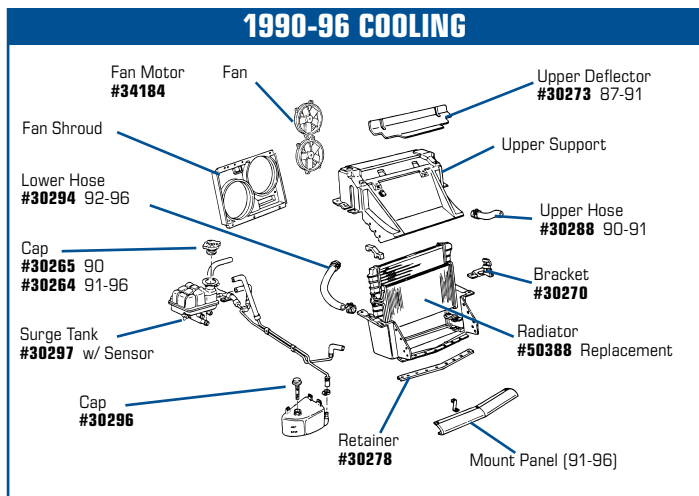


#30264 1984-1996
Radiator Cap - Except 85-90

1984-1996 COOLING (CONTINUED)

30273	87-91	Air Filter Water Deflector	\$12 ⁹⁹
22813	92-94	Coolant Crossover Pipes LT1	\$106 ⁹⁹
22814	95-96	Coolant Crossover Pipes LT1	\$106 ⁹⁹
22815	92-96	Coolant Crossover Pipe Bolt & Washer	\$4 ⁹⁹
30296	84-96	Coolant Recovery Reservoir Tank Cap	\$6 ⁹⁹
45016	84-96	Coolant Recovery Tank	\$37 ⁹⁹
30375	85-96	Engine Coolant Temp. Gauge Sensor	\$29 ⁹⁹
34181	84-89	Fan	\$81 ⁹⁹
34182	84-89	Fan Motor	\$55 ⁹⁹
34184	90-96	Fan Motor	\$99 ⁹⁹
50376	88-89	Fan Motor Kit L98	\$99 ⁹⁹
39155	84	Fan Relay	\$19 ⁹⁹
34185	85-87	Fan Relay	\$18 ⁹⁹
34186	88-96	Fan Relay	\$31 ⁹⁹
50091	88-95	Fan Relay Connector	\$31 ⁹⁹
50081	85-92	Housing Gasket	\$1 ⁹⁹
50080	85-92	Housing	\$11 ⁹⁹
39156	86-89	Low Engine Coolant Level Switch	\$36 ⁹⁹
51288	86-89	Low Engine Coolant Level Switch Connector	\$23 ⁹⁹
32614	84-85	Radiator	\$366 ⁹⁹
32615	86-89	Radiator	\$395 ⁹⁹
50388	90-96	Radiator - Replacement	\$249 ⁹⁹
30277	85-89	Radiator Air Baffle - Lower - Reproduction	\$60 ⁹⁹
30282	84-96	Radiator Air Baffle Bracket - Lower Inner Front - LH	\$10 ⁹⁹
30283	84-96	Radiator Air Baffle Bracket - Lower Inner Front - RH	\$10 ⁹⁹
30278	84-96	Radiator Air Baffle Retainer - Lower	\$20 ⁹⁹
39174	90-95	Radiator Bypass Hose Bracket - ZR1	\$12 ⁹⁹

39176	90-95	Radiator Bypass Hose Clamp - ZR1	\$4 ⁹⁹
51151	84-90	Radiator Cap - 16 psi - Replacement	\$5 ⁹⁹
30264	84-96	Radiator Cap - 84, 91-96	\$19 ⁹⁹
30265	85-90	Radiator Cap	\$15 ⁹⁹
39161	90-96	Radiator Draincock	\$10 ⁹⁹
30280	84-89	Radiator Grille Inner Bracket - LH	\$10 ⁹⁹
30284	84-89	Radiator Grille Inner Bracket - RH	\$13 ⁹⁹
30279	84-89	Radiator Grille Mount Panel	\$42 ⁹⁹
22525	84	Radiator Hose - Lower	\$37 ⁹⁹
30286	84	Radiator Hose - Upper - Replacement	\$21 ⁹⁹
51314	84-96	Radiator Hose - Upper - GM	\$27 ⁹⁹
30290	85-87	Radiator Hose - Lower - Coupe	\$37 ⁹⁹
30287	85-89	Radiator Hose - Upper - Replacement	\$22 ⁹⁹
30291	86-87	Radiator Hose - Lower - Convertible	\$23 ⁹⁹
30292	88-89	Radiator Hose - Lower	\$23 ⁹⁹
30293	90-91	Radiator Hose - Lower	\$29 ⁹⁹
30288	90-91	Radiator Hose - Upper - Replacement	\$23 ⁹⁹
39178	90-95	Radiator Hose - Inlet - Engine to Tee - ZR1	\$37 ⁹⁹
50901	90-95	Radiator Hose - Inlet - Engine to Tee - ZR1 Replacement (Cut-To-Fit)	\$9 ⁹⁹
39173	90-95	Radiator Hose - Upper Outlet - Front - ZR1	\$41 ⁹⁹
50907	90-95	Radiator Hose - Upper Outlet - Front - ZR1 - Replacement (Cut-To-Fit)	\$19 ⁹⁹
50931	90-95	Radiator Hose - Engine to Pipe - ZR1	\$19 ⁹⁹
34187	92-94	Radiator Hose - Upper Front - LT1	\$41 ⁹⁹
34188	92-94	Radiator Hose - Upper Rear - LT1	\$40 ⁹⁹
51315	92-96	Radiator Hose - Lower - Exc ZR1 - GM	\$51 ⁹⁹
30294	92-96	Radiator Hose - Lower - Exc ZR1 - Replacement	\$23 ⁹⁹
39198	95-96	Radiator Hose - Inlet - 95 LT1	\$22 ⁹⁹
38309	84-96	Radiator Hose Clamp	\$3 ⁹⁹
38127	85-96	Radiator Hose Clamp	\$6 ⁹⁹
38134	90-96	Radiator Hose Clamp - Outlet Hose	\$7 ⁹⁹
39160	90-96	Radiator Hose Clamp - Upper Hose	\$10 ⁹⁹
30281	84-96	Radiator Front Air Deflector Brace	\$9 ⁹⁹
39189	92-96	Radiator Side Air Deflector - LH	\$2 ⁹⁹
39190	92-96	Radiator Side Air Deflector - RH	\$2 ⁹⁹
39192	92-96	Radiator Side Air Deflector Bracket - RH	\$28 ⁹⁹
30270	90-96	Radiator Support Bracket	\$13 ⁹⁹
58397	97-04	Brass Drain Valve - 1/4 NPT Thread	\$689 ⁹⁹
30297	90-96	Surge Tank w/ Sensor	\$93 ⁹⁹
39166	90-96	Surge Tank Inlet Hose	\$17 ⁹⁹
39199	95-96	Surge Tank Overflow Hose - 95 ZR1	\$156 ⁹⁹
39167	90-96	Surge Tank Bracket - on wheel well	\$43 ⁹⁹
39200	95-96	Surge Tank Bracket - 95 Late	\$14 ⁹⁹
27403	84-93	Thermostat - 160°	\$7 ⁹⁹
27404	84-93	Thermostat - 180°	\$5 ⁹⁹
27405	84-93	Thermostat - 195°	\$5 ⁹⁹
50916	84-93	Thermostat - 205°	\$5 ⁹⁹
50914	94-96	Thermostat - 180° - Exc ZR1	\$16 ⁹⁹
34191	85-91	Thermostat Housing - Exc ZR1	\$21 ⁹⁹
39201	92-96	Thermostat Housing - Exc ZR1	\$21 ⁹⁹
39158	84-90	Thermostat Housing Bolt - 2 req'd	\$0 ⁹⁹
27402	84-91	Thermostat Housing Gasket	\$3 ⁹⁹



WARNING: Cancer and Reproductive Harm -
www.P65Warnings.ca.gov

(833) 4TopFlight | TopFlightAutomotive.com





#44913 1984-1991
Chrome Platinum
Performance Water Pump



#39381 1993-1996
Water Pump. LT1 & LT4

1984-1996 WATER PUMP, HEATER HOSES & RELATED

30298	84-91	Water Pump - New	\$81 ⁹⁹
44911	84-91	Water Pump - Chrome Supercool	\$233 ⁹⁹
44913	84-91	Water Pump - Chrome Platinum Performance	\$311 ⁹⁹
39380	90-95	Water Pump - ZR1	\$375 ⁹⁹
50989	90-95	Water Pump - ZR1 - Remanufactured	\$97 ⁹⁹
39379	92	Water Pump - LT1	\$121 ⁹⁹
39381	93-96	Water Pump - LT1 & LT4 - Aftermarket	\$132 ⁹⁹
50190	93-96	Water Pump - LT1 & LT4 - GM-OE	\$366 ⁹⁹
51529	93-96	Water Pump w/ Gasket - LT1 & LT4	\$229 ⁹⁹
50645	92-96	Water Pump Drive Seal	\$12 ⁹⁹
32981	84-91	Water Pump Mount Gasket - 2 req'd	\$2 ⁹⁹
50899	84	Heater Hose - Short (Cut-To-Fit)	\$7 ⁹⁹
50900	84	Heater Hose - Long (Cut-To-Fit)	\$12 ⁹⁹
39196	85-89	Throttle Body Heater Hose	\$11 ⁹⁹
39510	85-91	Heater Hose - Throttle Body to Manifold - Exc 87	\$10 ⁹⁹
50898	90-91	Heater Hose - Heater to Throttle Body	\$13 ⁹⁹
39195	92-94	Throttle Body Heater Inlet Hose - LT1	\$15 ⁹⁹
39197	95-96	Throttle Body Heater Inlet Hose	\$12 ⁹⁹
50906	92-96	Heater Hose - Heater to Reservoir	\$15 ⁹⁹
39513	93-94	Heater Hose - Outlet Water Pump to Tee - LT1	\$22 ⁹⁹
39514	93-94	Heater Hose - Throttle Body to Tee - LT1	\$7 ⁹⁹
50904	93-94	Heater Hose - Throttle Body to Engine - LT1	\$17 ⁹⁹
50905	93-96	Heater Hose - Valve to Engine - LT1 & LT4	\$26 ⁹⁹

1984-1995 LOW TEMPERATURE FAN SWITCH & HARNESS

Low Temperature Electric Cooling Fan Switch turns on your coolant fan at 200° F and off again at 185° F. Keeps temperature in the best operating range. Conversion Harness required for installation on cars with auxiliary fan controlled by ECM. Instructions included.

40372	84-95	Low Temperature Fan Switch & Harness	\$27 ⁹⁹
--------------	-------	--------------------------------------	--------------------

WATER WETTER® COOLANT ADDITIVE

Reduce coolant temperatures by as much as 30°F with this unique wetting agent. Use with plain water for racing engines to provide rust & corrosion protection or add it to ethylene or propylene glycol antifreeze to improve heat transfer. Designed for modern aluminum, cast iron, copper, brass & bronze systems.

40853	Water Wetter	\$12 ⁹⁹
--------------	--------------	--------------------



#34205 1984-1989
Center Gauge Bezel



#X2250 1984-1996
Ashtray



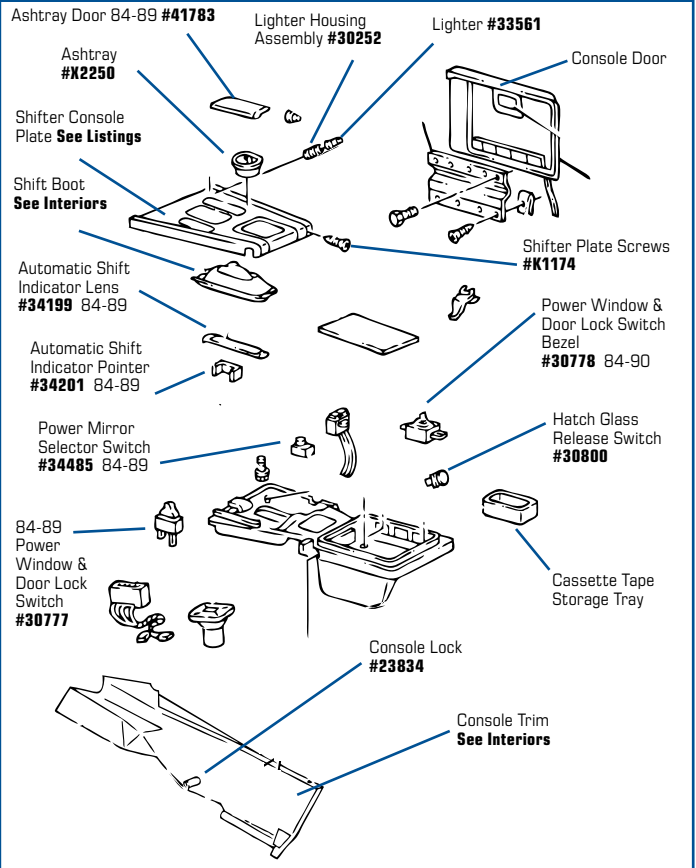
#23834 1984-1996
Console Lock

1984-1996 CONSOLE

X2250	84-96	Ashtray	\$12 ⁹⁹
41783	84-89	Ashtray Door	\$69 ⁹⁹
34205	84-89	Center Gauge Bezel	\$151 ⁹⁹
23834	84-96	Console Compartment Lock	\$30 ⁹⁹
24188	90-96	Console Door - Reproduction - Black - Incl. Light & Plug	\$213 ⁹⁹
34202	84-96	Console Cup Holder Liner	\$8 ⁹⁹
34217	84-89	Fuse Box Cover	\$10 ⁹⁹
43814	84-89	Fuse Box Knob	\$2 ⁹⁹

See More Console Doors in Interiors Section.

1984-89 CONSOLE



#34194 1984-1989
Automatic Shift Console Plate



#33561 1984-1996
GM Replacement
Lighter

#44651 1992-1993
Manual Shift Console Plate



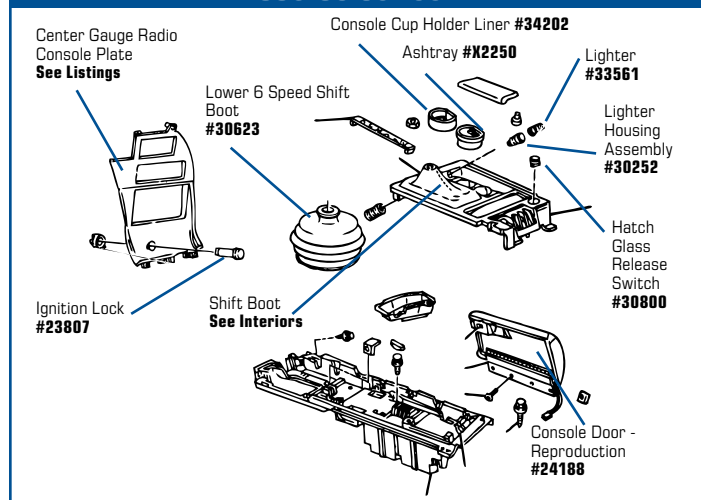
30800	84-96	Hatch Glass Release Switch - Console	\$38⁹⁹
33561	84-96	Lighter w/ Element - GM	\$12⁹⁹
33003	84-96	Lighter Housing.....	\$22⁹⁹
30778	84-90	Power Door Lock Switch Bezel	\$13⁹⁹
37333	84-90	Power Window Switch Connector wit Pigtail - Left	\$28⁹⁹
34485	84-89	Power Mirror Selector Switch.....	\$42⁹⁹
34194	84-89	Shifter Console Plate - Automatic w/ Power Seat Graphics	\$108⁹⁹
34197	84-89	Shifter Console Plate - Automatic w/o Power Seat Graphics.....	\$125⁹⁹
K1174	84-96	Shifter Console Plate Screws - 4 pc.....	\$2⁹⁹
34201	84-89	Shifter Dial Pointer - Automatic.....	\$19⁹⁹
34199	84-89	Shifter Indicator Dial - Automatic	\$21⁹⁹
34200	90-93	Shifter Indicator Dial Lens - Automatic.....	\$24⁹⁹
34206	94-95	Shifter Indicator Dial Lens - Automatic.....	\$23⁹⁹
34207	96	Shifter Indicator Dial Lens - Automatic.....	\$29⁹⁹
39239	90-91	Bolster - Driver Side Knee.....	\$111⁹⁹
39240	90-96	Bolster Bracket - Driver Side - Center.....	\$8⁹⁹
39282	94-96	Bolster Bracket - Driver Side - Inner	\$20⁹⁹
34210	90-91	Center Gauge / Radio Console Plate - Exc ZR1.....	\$53⁹⁹
34211	92-93	Center Gauge / Radio Console Plate - Exc ZR1.....	\$86⁹⁹

34212	94-96	Center Gauge / Radio Console Plate - Exc ZR1.....	\$116⁹⁹
39214	84-92	Rear Window Defroster Circuit Breaker.....	\$13⁹⁹
50795	90-96	Rear Window Defroster Relay	\$13⁹⁹
44651	92-93	Shift Console Plate - Manual	\$137⁹⁹
44652	90-91	Shift Console Plate - Automatic.....	\$137⁹⁹
43478	94-96	Shift Console Plate - Automatic w/o Shift Boot	\$158⁹⁹
39639	90-96	Shift Indicator Pointer - Automatic	\$7⁹⁹



#32302 1985 Console Dataplate - L98
#32313 1992 Console Dataplate - LT1
#32315 1996 Console Dataplate - LT4

1990-96 CONSOLE



1984-1996 CONSOLE DATAPLATES

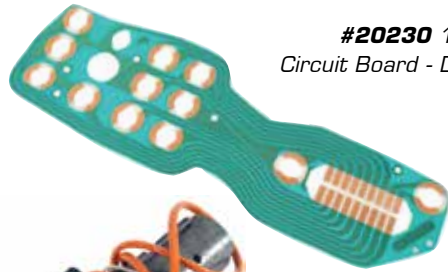
32301	84	Console Dataplate - L83.....	\$24⁹⁹
32302	85	Console Dataplate - L98.....	\$19⁹⁹
32304	86	Console Dataplate - w/ Aluminum Head - 86L.....	\$19⁹⁹
32309	86	Console Dataplate - w/ Cast Iron Head - 86E.....	\$19⁹⁹
32305	87	Console Dataplate - L98.....	\$19⁹⁹
32306	88	Console Dataplate - L98/245 - 88L.....	\$19⁹⁹
32307	88-89	Console Dataplate - L98/240.....	\$19⁹⁹
32308	90	Console Dataplate - L98.....	\$19⁹⁹
32310	91	Console Dataplate - L98/245.....	\$19⁹⁹
32311	91	Console Dataplate - L98/250.....	\$19⁹⁹
32313	92	Console Dataplate - LT1.....	\$19⁹⁹
32314	93-96	Console Dataplate - LT1.....	\$19⁹⁹
32315	96	Console Dataplate - LT4.....	\$19⁹⁹



WARNING: Cancer and Reproductive Harm -
www.P65Warnings.ca.gov

(833) 4TopFlight | TopFlightAutomotive.com





#20230 1986-1989
Circuit Board - Dash Info Printed



#20218 1984-1985
Headlight Knob with
Mounting Clip

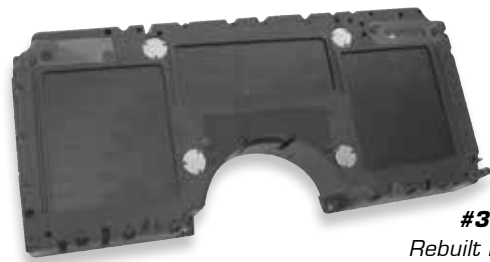


#23807 1986-1996
Ignition Lock

#1599
1984-1991
Tachometer
Filter



#20219 1986-1989
Headlight Knob with
Mounting Clip



#37650 1984
Rebuilt Instrument Panel
with Cruise

1984-1989 REBUILT INSTRUMENT PANELS

A small bump in the road, a big headache when your instrument cluster goes dead or dark with the high-beam and turn-signal indicators on. If you can identify with this, you probably have a defective instrument cluster.

Other symptoms include a random display of a few segments only, which may or may not be accompanied by a burned-out "LCD" fuse. Frequently, a defective instrument cluster will drain a car's battery in a day or two.

Fortunately, 1984-89 Instrument Panel Repair saves you all the aggravation. Simply send us your defective panel and we'll have it restored to like-new condition. Or pay the refundable core charge and we'll ship you a refurbished instrument panel right away so you can keep on driving until you're ready to install your new panel.

1984-1996 CONSOLE (CONTINUED)

20229	84-85	Circuit Board - Dash Info Printed	\$50⁹⁹
20230	86-89	Circuit Board - Dash Info Printed	\$50⁹⁹
43600	84-89	Dash Light Bulb Socket - 5/8" Hole	\$4⁹⁹
39259	89-96	Dash Reinforcement Bracket	\$4⁹⁹
20226	84-89	Defroster Knob - Manual w/ Clip	\$19⁹⁹
20227	84-89	Fan Knob w/ Steel Clip	\$19⁹⁹
25774	89-96	Gauge Light Dimmer Module	\$50⁹⁹
34225	84-89	Headlight Knob w/ Rod - 84-85 Replacement, 86-89 Correct	\$19⁹⁹
20218	84-85	Headlight Knob w/ Mounting Clip	\$19⁹⁹
20219	86-89	Headlight Knob w/ Mounting Clip	\$19⁹⁹
29066	84-89	Headlight Switch Nut	\$8⁹⁹
20228	84-89	Heater Slide Knob - Manual	\$7⁹⁹
23807	86-96	Ignition Lock	\$74⁹⁹
50151	87-96	Junction Box Wiring Harness	\$2⁹⁹
45061	84-96	LED Flasher - 2 Terminal	\$10⁹⁹
39209	84-89	Radio Knob - Fade / Balance	\$13⁹⁹
39207	84-89	Radio Knob - Volume / Tune	\$10⁹⁹
39214	84-92	Rear Window Defroster Circuit Breaker	\$13⁹⁹
K1163	84-96	Speedo & Small Gauge Screws - 8 pc	\$3⁹⁹
1599	84-91	Tachometer Filter	\$29⁹⁹
34048	84-86	Turn Signal/Dimmer Switch Actuator Pivot	\$30⁹⁹

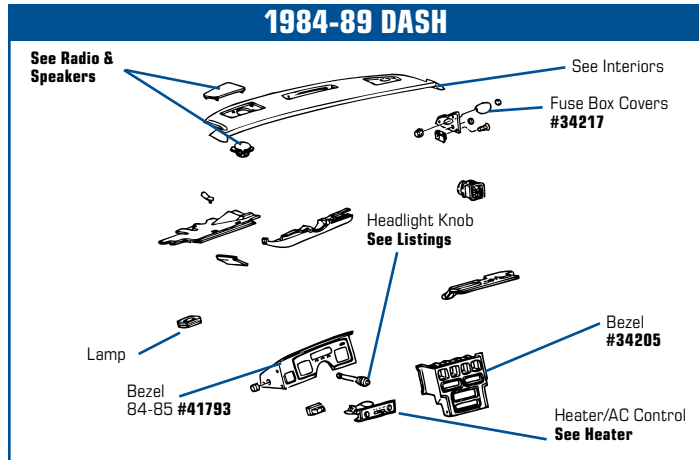
37650	84	Rebuilt Instrument Panel - w/ Cruise Control	\$407⁹⁹
37655	84	Rebuilt Instrument Panel - w/o Cruise Control	\$407⁹⁹
37651	85	Rebuilt Instrument Panel - w/ Cruise Control	\$407⁹⁹
37656	85	Rebuilt Instrument Panel - w/o Cruise Control	\$407⁹⁹
37652	86	Rebuilt Instrument Panel - w/ Cruise Control	\$407⁹⁹
37657	86	Rebuilt Instrument Panel - w/o Cruise Control	\$407⁹⁹
37658	87	Rebuilt Instrument Panel - w/o Cruise Control	\$407⁹⁹
37653	87-88	Rebuilt Instrument Panel - w/ Cruise Control	\$407⁹⁹
37654	89	Rebuilt Instrument Panel - w/ Cruise Control	\$407⁹⁹
29982	84-89	Rebuilt Instrument Panel Core Charge	\$600⁰⁰

Instrument Panel must be rebuildable to be accepted as a core. Core charge refunds for damaged or non-rebuildable cores will be adjusted accordingly.

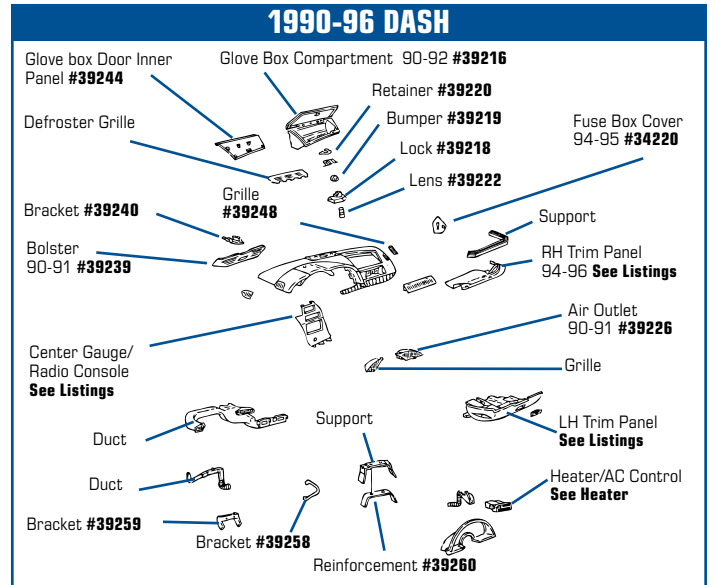
1984-1996 DASH BUTTONS

43633	90-91	Trip Button - Gray/Orange	\$9⁹⁹
43634	90-91	Fuel Button - Gray/Orange	\$14⁹⁹
43635	92-93	Trip Button - Black/Orange	\$14⁹⁹
43636	92-93	Fuel Button - Black/Orange	\$14⁹⁹

1984-89 DASH



1990-96 DASH





#43633 1990-1991
Trip Button
Gray/Orange



#43635 1992-1993
Trip Button
Black/Orange



#43637 1994-1996
Trip Button
Black/White



#43634 1990-1991
Fuel Button
Gray/Orange



#43636 1992-1993
Fuel Button
Black/Orange



#43638 1994-1996
Fuel Button
Black/White



#39246 1990-1993
Glove Box Light



#39237 1990-1993
Horn/Rear Window
Defroster Relay



#39218 1990-1993
Glove Box Door Lock

43637	94-96 Trip Button - Black/White	\$14⁹⁹
43638	94-96 Fuel Button - Black/White.....	\$14⁹⁹
39284	90-96 Dash Insulator	\$208⁹⁹
39260	90-96 Dash Reinforcement - Lower Center	\$9⁹⁹
51493	94-96 Defroster Grille - w/ Auto Climate.....	\$37⁹⁹
39234	90-96 Fog Lamp Switch Light	\$3⁹⁹
25774	89-96 Gauge Light Dimmer Module	\$50⁹⁹
39219	90-93 Glove Box Door Bumper	\$29⁹⁹
39244	90-93 Glove Box Door Inner Panel	\$22⁹⁹
39218	90-93 Glove Box Door Lock.....	\$53⁹⁹
39220	90-93 Glove Box Door Lock Retainer.....	\$23⁹⁹
K1176	90-93 Glove Box Door Screws - 9 pc	\$4⁹⁹
K1182	90-93 Glove Box Hinge Screws - 5 pc	\$3⁹⁹
K1180	90-93 Glove Box Housing Screws - 6 pc.....	\$3⁹⁹
39246	90-93 Glove Box Light	\$35⁹⁹
39222	90-93 Glove Box Light Lens	\$3⁹⁹
25798	84-96 Hazard Flasher / Alarm System Horn Flasher	\$4⁹⁹
39237	90-93 Horn / Rear Window Defroster Relay	\$13⁹⁹
50559	94-96 Instrument Panel Trim Plate Clip.....	\$0⁹⁹
50151	87-96 Junction Box Wiring Harness	\$2⁹⁹
41648	90-91 Power Seat Control Indicator - LH	\$5⁹⁹
41649	90-91 Power Seat Control Indicator - RH.....	\$8⁹⁹
39238	90-96 Side Window Defroster Outlet - RH Outer.....	\$34⁹⁹
K1163	84-96 Speedo & Small Gauge Screws - 8 pc.....	\$3⁹⁹
1599	84-91 Tachometer Filter.....	\$29⁹⁹
25799	84-96 Turn Signal Flasher- 12V - Replacement	\$8⁹⁹



1984-1989 INTELLITRONIX LED DIGITAL DASHES



Tooling around town in your 1984-1989 Corvette with a Intellitronix direct fit LED digital gauge replacement dash panel will give you "Star" power. The 84-89 Corvette LED digital panel comes complete with direct fit printed circuit boards, custom fit "smoked" plexiglass faceplate, universal temperature sending unit, oil pressure sending unit and speedometer sending unit with senders and sensors for vehicles without electronic transmission or cruise control, and instructions for installation.

57902	84-89 Intellitronix Digital Dash - Blue.....	\$414⁹⁵
57903	84-89 Intellitronix Digital Dash - Green	\$414⁹⁵
57904	84-89 Intellitronix Digital Dash - Red	\$414⁹⁵
57905	84-89 Intellitronix Digital Dash - White.....	\$414⁹⁵



1984-1989 INTELLITRONIX ANALOG GAUGE CLUSTER REPLACEMENT



Your 1984-89 Corvette will be the talk of your Corvette Club with a new Intellitronix direct fit 84-89 Corvette Analog Replacement Gauge Panel. Corvette went digital with their sporty cars in recent years, making this analog gauge for the 84-89 Corvette the first and only one of its kind.

57910	84-89 Intellitronix Analog Gauge Cluster Replacement	\$624⁹⁵
--------------	--	---------------------------



#41793 1984-1985
Speedometer/Tachometer Dash Bezel

1984-1996 SPEEDOMETER / TACH DASH BEZEL

41793	84-85 Speedometer/Tach Dash Bezel	\$124⁹⁹
41795	86-89 Speedometer/Tach Dash Bezel	\$162⁹⁹
44639	90-96 Speedometer/Tach Lens	\$66⁹⁹



WARNING: Cancer and Reproductive Harm -
www.P65Warnings.ca.gov





1986 PACE CAR DOOR DECAL KIT

Bring your 1986 Corvette Pace Car back to its original glory without breaking the bank. Available in your choice of silver, gold with gold "70th", or gold with black "70th". Kit includes: 4 Door Decals and 2 Fender Badges.

- 43425** 1986 Pace Car Door Decal Kit - Silver\$274⁹⁹
- 43426** 1986 Pace Car Door Decal Kit - Gold w/ Gold "70th".....\$274⁹⁹
- 43427** 1986 Pace Car Door Decal Kit - Gold w/ Black "70th".....\$274⁹⁹



1996 GRAND SPORT DECAL KIT

- 20313** 1996 Grand Sport Decal Kit - Convertible\$407⁹⁹
- 20314** 1996 Grand Sport Decal Kit - Coupe\$407⁹⁹



1984-1996 VINYL LETTERING KITS

These self-adhesive Vinyl Lettering Kits dress up the recessed logo on your Vette's bumpers in your choice of colors. Kit contains 16 letters.

- 22580** 84-90 Brilliant Black.....\$17⁹⁹
- 22582** 84-90 Metallic Gold.....\$17⁹⁹
- 22581** 84-90 Mirror Chrome\$17⁹⁹
- 22583** 84-90 Reflective Red.....\$17⁹⁹
- 22584** 91-96 Brilliant Black.....\$17⁹⁹
- 22586** 91-96 Metallic Gold.....\$17⁹⁹
- 22585** 91-96 Mirror Chrome\$17⁹⁹
- 22587** 91-96 Reflective Red.....\$17⁹⁹



1984-1996 REAR LETTERING KITS

Don't settle for plastic anymore - stainless steel letters are precision-cut then polished for premium looks at a great price.

- 24455** 84-90 Polished SS\$94⁹⁹
- 24457** 91-96 Polished SS\$94⁹⁹



1984-1996 GOLDTONE OR CHROME LETTERING

Nearly identical in looks to kits costing much more. Attach easily with studs and adhesive backing (84-90) or adhesive backing only (91-96).

- 26235** 84-90 Goldtone.....\$35⁹⁹
- 26237** 91-96 Goldtone.....\$35⁹⁹
- 26236** 91-96 Chrome.....\$35⁹⁹



1984-1990 REAR ACRYLIC EMBLEMS

- 41908** 84-90 Rear Acrylic - Black\$31⁹⁹
- 41909** 84-90 Rear Acrylic - Red\$31⁹⁹
- 41910** 84-90 Rear Acrylic - White.....\$31⁹⁹
- 41911** 84-90 Rear Acrylic - Chrome\$31⁹⁹



1991-1996 REAR ACRYLIC LETTER SET

Add dimension and style to your car with this strong acrylic lettering set available in your choice of color.

- 41913** 91-96 Rear Acrylic Letter Set - Black\$31⁹⁹
- 41916** 91-96 Rear Acrylic Letter Set - Chrome\$31⁹⁹
- 41914** 91-96 Rear Acrylic Letter Set - Red\$31⁹⁹





#39309 1984-1996
Door Panel Insulator-LH



#37775 1990-1993
Door Panel Mount Panel - RH Inner



#30306 1984-1996
Lower Door Hinge - Refurbished



#23815 1984-1996
Door Locks



#30302 1984-1996
Upper Door Hinge - Refurbished



#X2655 1984-1996
Door Hinge Spring Tool

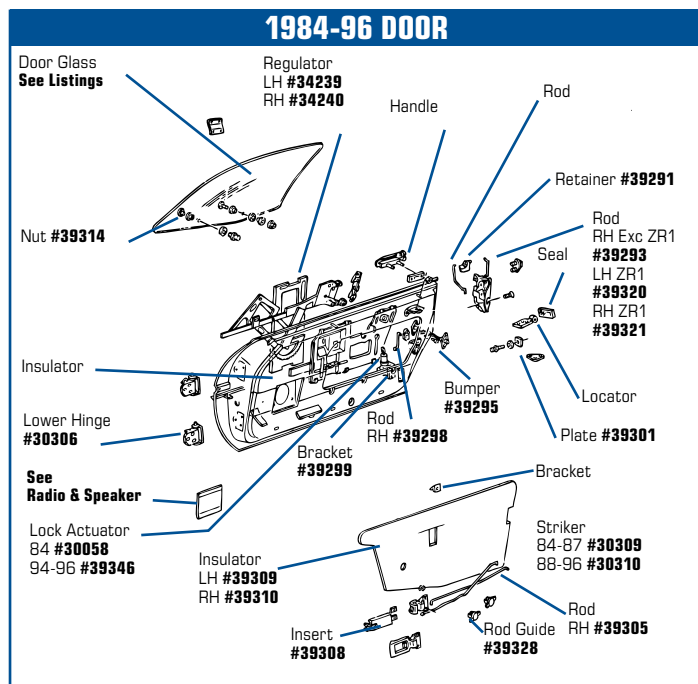
#43627 1993-1996
Door Window Guide - LF



1984-1996 Door

K1185	84-89	Armrest Filler Screws - 4 pc	\$2 ⁹⁹
30816	88-96	Door Ajar Indicator Switch - 2 req'd	\$29 ⁹⁹
30318	84-92	Door Align. Pin Locator on Body - Coupe - RH	\$29 ⁹⁹
30313	84-92	Door Alignment Pin Seal - RH - on back of door - 84-90 Coupe & 91-92 All	\$26 ⁹⁹
39295	84-88	Door Bumper	\$9 ⁹⁹
K1169	84-89	Door Defroster Bezel Screws - 4 pc	\$2 ⁹⁹

46839	84-96	Door Glass - Tinted - Coupe - LH	\$249 ⁹⁹
46840	84-96	Door Glass - Tinted - Coupe - RH	\$249 ⁹⁹
X2024	84-96	Door Glass Anti-Rattle Cushion - ea	\$9 ⁹⁹
X2026	84-96	Door Glass Anti-Rattle Cushions - 4 pc set	\$30 ⁹⁹
39314	84-96	Door Glass Stop Nut	\$3 ⁹⁹
39331	92-93	Door Handle - Inner - Beige	\$53 ⁹⁹
K1167	84-96	Door Handle Escutcheon Screws - 2 pc	\$2 ⁹⁹
39308	84-96	Door Handle Trim Insert	\$23 ⁹⁹
2108	84-89	Upper Door Panel Trim - Coupe - LH	\$102 ⁹⁹
2109	84-89	Upper Door Panel Trim - Coupe - RH	\$102 ⁹⁹
2454	84-96	Door Handle - Outer LH	\$44 ⁹⁹
2455	84-96	Door Handle - Outer RH	\$44 ⁹⁹
30306	84-96	Door Hinge - Lower Refurbished	\$95 ⁹⁹
30302	84-96	Door Hinge - Upper Refurbished	\$95 ⁹⁹
30307	84-96	Door Hinge Pin	\$6 ⁹⁹
30308	84-96	Door Hinge Pin Bushing	\$2 ⁹⁹
34238	84-96	Door Hinge Spring	\$12 ⁹⁹
X2655	84-96	Door Hinge Spring Tool	\$12 ⁹⁹
39322	84-88	Door Latch Mechanism - LH	\$299 ⁹⁹
23815	84-96	Door Locks - pr	\$50 ⁹⁹
39288	84-90	Door Lock Cylinder Kit - Uncoded	\$34 ⁹⁹
39320	90-95	Door Lock Rod - Cylinder to Mech. - LH - ZR1	\$30 ⁹⁹
39321	90-95	Door Lock Rod - Cylinder to Mech. - RH - ZR1	\$41 ⁹⁹
39291	84-96	Door Lock Rod Retainer	\$2 ⁹⁹
30310	88-96	Door Lock Striker On Body	\$50 ⁹⁹
39301	84-96	Door Lock Striker Tap Plate	\$26 ⁹⁹
39310	84-96	Door Panel Insulator - RH	\$35 ⁹⁹
K1171	84-93	Door Panel Light Screws - 4 pc	\$2 ⁹⁹
K1165	84-93	Door Panel Screws - 14 pc - does both doors	\$5 ⁹⁹
K1477	84-96	Door Panel Screw Inserts - 7 pc - does one door	\$3 ⁹⁹
39313	94-96	Door Panel Screw Hole Plug - 5 pc dye to match - Black	\$5 ⁹⁹
K1166	84-93	Door Panel Storage Tray Screws - 6 pc	\$3 ⁹⁹



WARNING: Cancer and Reproductive Harm - www.P65Warnings.ca.gov





#34240 1984-1996
Power Window Regulator with Motor - RH



#2109 1984-1989
Door Panel Upper Trim - RH - Coupe



#X2026 1984-1996
Door Glass Anti-Rattle
Cushion 4 Piece Set



#2303 1984-1996
Outer Door Seal - LH

#2305 1984-1996
Outer Door Seal - RH

#X2177 1984-1996 Outer Door Seal - pr.



#X2180 - 1984-1989 Upper Door Panel Seals
Top-Grade, Exact Reproductions



#2752 1990-1996
Upper Door Panel Seal - LH

#2753 1990-1996
Upper Door Panel Seal - RH

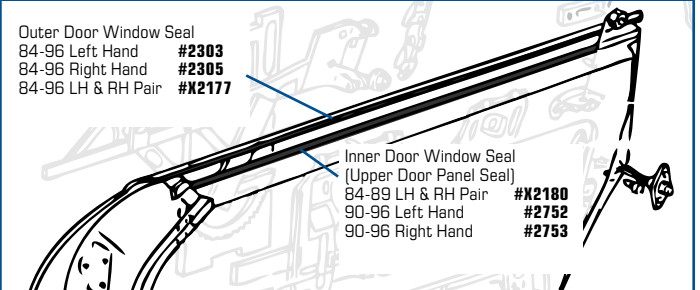
Also See Door Panel Hardware in Interiors Section.

2303	84-96 Door Window Seal - Outer LH	\$30⁹⁹
2305	84-96 Door Window Seal - Outer RH	\$30⁹⁹
X2177	84-96 Outer Door Seals - LH & RH - (incl. 2303 & 2305).....	\$61⁹⁹
X2180	84-89 Upper Door Panel Seals - pr	\$51⁹⁹
2752	90-96 Upper Door Panel Seal - LH.....	\$36⁹⁹
2753	90-96 Upper Door Panel Seal - RH	\$36⁹⁹
K1490	84-96 Door Seal Rivets - 6 pc.....	\$2⁹⁹

1984-1996 DOOR (CONTINUED)

30795	84-85 Door Reading Light Repair Harness	\$24⁹⁹
39326	90-93 Door Rod - Rear Lock Control - LH.....	\$15⁹⁹
39344	94-96 Door Rod - Rear Lock Control - LH.....	\$6⁹⁹
39328	84-96 Door Rod Guide.....	\$9⁹⁹
39296	84-96 Door Rod Retainer	\$2⁹⁹
K1162	84-87 Door Sill Screws - 6 pc.....	\$3⁹⁹
K1168	84-87 Door Sill Vertical Trim Screws - 4 pc.....	\$2⁹⁹
43627	93-96 Door Window Guide - LF	\$19⁹⁹
43628	93-96 Door Window Guide - RF	\$19⁹⁹
37776	90-93 Inner Door Panel Mount Panel - LH	\$69⁹⁹
37775	90-93 Inner Door Panel Mount Panel - RH.....	\$64⁹⁹
30058	84 Power Door Lock Actuator	\$40⁹⁹
39346	94-96 Power Door Lock Actuator	\$65⁹⁹
39299	84-93 Power Door Lock Actuator Bracket.....	\$7⁹⁹
39347	94-96 Power Door Lock Actuator Bracket - LH.....	\$19⁹⁹
51292	84-85 Power Door Lock Connector - LH	\$23⁹⁹
51293	84-85 Power Door Lock Connector - RH	\$23⁹⁹
51294	86-96 Power Door Lock Connector - LH.....	\$23⁹⁹
51295	86-96 Power Door Lock Connector - RH	\$23⁹⁹
41413	84-85 Power Window Motor - LH or RH	\$40⁹⁹
34241	86-96 Power Window Motor - LH - Replacement.....	\$55⁹⁹
34242	86-96 Power Window Motor - RH - Replacement	\$55⁹⁹
29845	86-96 Power Window Motor - LH.....	\$73⁹⁹
29846	86-96 Power Window Motor - RH	\$73⁹⁹
34239	84-96 Power Window Regulator w/ Motor - LH	\$245⁹⁹
34240	84-96 Power Window Regulator w/ Motor - RH.....	\$243⁹⁹
22535	84-86 Window Regulator Ribbon Repair Kit - Incl 1 Flex Ribbon to repair 1 window - 86 Early.....	\$24⁹⁹

1984-96 DOOR SEALS



AcoustiSHIELD™

**1984-1996
ACOUSTISHIELD DOOR NOISE DAMPENING KIT**

AcoustiShield's Door Noise Dampening Kit eliminates noise and vibration from your Vette's outer door skin. Includes six (6) self-adhesive 2" X 24" Dynamat Damper strips and illustrated instructions.

51977	84-96 AcoustiShield Door Noise Dampening Kit.....	\$62⁹⁹
--------------	---	--------------------------





1984-1996 SILL EASE

Sill Ease Sill Protectors are molded from clear, high-impact acrylic and are contoured to fit snugly over door sills to provide maximum protection against scuffs and scratches across the entire sill. Easy to install.

4588	84-87	Clear w/ Corvette - pr	\$65⁹⁹
4589	84-87	Black w/ Corvette - pr	\$65⁹⁹
4591	88-89	Clear w/ Corvette - pr	\$65⁹⁹
4587	88-89	Black w/ Corvette - pr	\$65⁹⁹
4598	90-96	Clear - no script - pr	\$65⁹⁹
4597	90-96	Clear w/ Corvette - pr	\$65⁹⁹
4711	90-96	Black w/ Corvette - pr	\$65⁹⁹



1984-1996 IMPERIAL SILL COVERS

Heavy-gauge steel Sill Covers with Corvette emblem. Available in your choice of chrome or anodized black. Easy to install. Hardware included. Mounts with double sided tape.

21293	84-87	Black	21290	84-87	Chrome
21294	88-89	Black	21291	88-89	Chrome
21295	90-96	Black	21292	90-96	Chrome

84-96	Imperial Sill Covers - Black - pr	\$76⁹⁹
84-96	Imperial Sill Covers - Chrome - pr	\$93⁹⁹

1984-1996 AUXILIARY DOOR SEALS

Keeps dirt out and door sills clean! Door seals attach to the bottom of the door and seal against the body, preventing dirt and debris from entering the door sill area. Easy installation using peel-off backing. Sold in pairs.



41794	84-96	Auxiliary Door Seals - Lower - pr	\$26⁹⁹
--------------	-------	-----------------------------------	-------	--------------------------



#24061 1991-1996
Gas Lid Emblem



#24060 1991-1996
Nose Emblem



#2968 1984-1990
Gas Lid Emblem



#3115 1984-1990
Nose Emblem - Die Cast

1984-1996 EMBLEMS



2968	84-90	Gas Lid Emblem	\$60⁹⁹
24061	91-96	Gas Lid Emblem	\$60⁹⁹
24062	93-96	Gas Lid Emblem -		
		40th Anniversary, Grand Sport or Pace	\$100⁹⁹
24070	96	Gas Lid Emblem - Collector Edition	\$63⁹⁹
2970	84-90	Gas Lid Emblem Nuts	\$1⁹⁹
3114	84-90	Nose Emblem - GM Replacement	\$83⁹⁹
3115	84-90	Nose Emblem - Die Cast -		
		Original Style Reproduction	\$60⁹⁹
24060	91-96	Nose Emblem	\$60⁹⁹
24063	93-96	Nose Emblem -		
		40th Anniversary, Grand Sport or Pace	\$63⁹⁹
24066	96	Nose Emblem - Collector Edition	\$63⁹⁹
24064	93	Side Fender 40th Anniversary Emblem	\$65⁹⁹



WARNING: Cancer and Reproductive Harm - www.P65Warnings.ca.gov





1984-1996 ALTERNATOR & GENERATOR

51464	84	Alternator - Remanufactured - 84E	\$219⁹⁹
51465	84-85	Alternator - Remanufactured - 84L - 85E	\$203⁹⁹
51466	85	Alternator - Remanufactured - 85L	\$162⁹⁹
50972	84-85	Alternator - 120 Amp - Remanufactured.....	\$203⁹⁹
50973	84-85	Alternator - 97-108 Amp - Remanufactured.....	\$159⁹⁹
50975	86-91	Alternator - 85-105 Amp - 86-91 Non ZR1, 90-91 ZR1 - Remanufactured	\$183⁹⁹
41380	86-91	Alternator - Chrome - 105 Amp	\$342⁹⁹
40408	88-90	Alternator	\$277⁹⁹
37685	91-95	Alternator - ZR1	\$160⁹⁹
50065	92-93	Alternator	\$254⁹⁹
50976	92-93	Alternator - 120 Amp - Exc ZR1 - Remanufactured	\$193⁹⁹
50977	93	Alternator - 120 Amp - Exc ZR1 - Remanufactured	\$264⁹⁹
40330	94-96	Alternator	\$429⁹⁹
41745	86-91	Alternator Mount Bracket - Upper	\$95⁹⁹
39372	90-95	Alternator Shield - ZR1	\$9⁹⁹
50373	90-95	Generator.....	\$183⁹⁹
50978	94-96	Alternator - 140 Amp - Exc ZR1 - Remanufactured	\$228⁹⁹

1984-1996 DISTRIBUTOR, COIL & IGNITION

29080	84-91	Coil Cover Screw.....	\$21⁹⁹
50995	84	Distributor - Remanufactured	\$142⁹⁹
50997	92-94	Distributor - w/ Rotor & Cap - LT1	\$263⁹⁹
50998	95-96	Distributor - w/ Rotor & Cap - LT1 & LT4	\$277⁹⁹
29088	84	Distributor Cap - HEI Ignition	\$22⁹⁹
30348	85-91	Distributor Cap - HEI Ignition	\$27⁹⁹
51477	92-94	Distributor Cap & Rotor Kit.....	\$152⁹⁹
39363	95-96	Distributor Cap & Rotor Kit.....	\$152⁹⁹
30358	85-91	Distributor Cover - Air Inlet Manifold Extension.....	\$24⁹⁹
30359	85-91	Distributor Cover Bolt	\$9⁹⁹
27458	84	Distributor Drive Gear - Lower	\$29⁹⁹
30364	85-91	Distributor Drive Gear - Lower	\$74⁹⁹
29091	84-91	Distributor Drive Gear Tang Washer.....	\$2⁹⁹
27459	84-91	Distributor Drive Gear Washer - Under Gear.....	\$4⁹⁹
51354	84-96	Distributor Drive Seal.....	\$6⁹⁹
50082	84-91	Distributor Gasket.....	\$4⁹⁹
40410	90-93	Distributor Module.....	\$914⁹⁹
27446	84-92	Distributor Mount Gasket	\$1⁹⁹
30357	84-91	Distributor Pole Piece w/ Plate.....	\$39⁹⁹
29085	84-91	Distributor Rotor	\$17⁹⁹
33573	84	Distributor Rotor Screw	\$2⁹⁹
33577	84	Distributor Shaft.....	\$14⁹⁹
29087	84-91	Distributor Terminal Block w/ Capacitor	\$27⁹⁹



#39363 1995-1996
Distributor Cap & Rotor Kit



#40408 1988-1990
Alternator



#50996 1984-1991
Distributor - Remanufactured



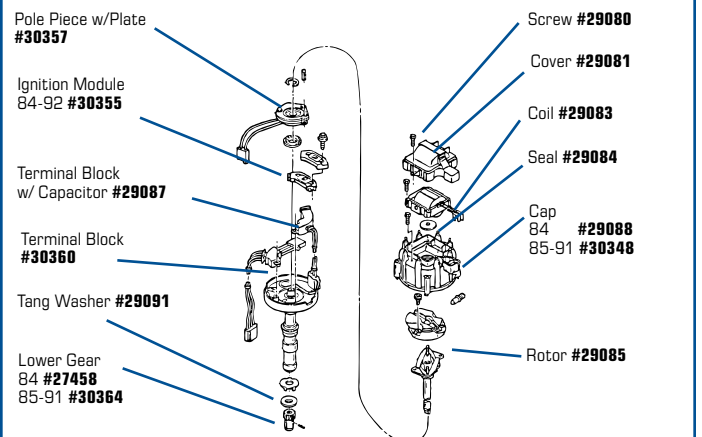
#30357 1984-1991
Distributor Pole Piece
with Plate



#30355 1984-1992
Ignition/Distributor Module

29083	84-91	Ignition Coil	\$70⁹⁹
34291	92-93	Ignition Coil - LT1.....	\$89⁹⁹
34292	90-95	Ignition Coil - ZR1.....	\$58⁹⁹
39364	94-95	Ignition Coil - LT1.....	\$51⁹⁹
39368	96	Ignition Coil - LT1 & LT4	\$45⁹⁹
39366	92-96	Ignition Coil Bracket - Lower - LT1 - Exc 94-95	\$17⁹⁹
39365	92-96	Ignition Coil Bracket - Upper.....	\$43⁹⁹
33574	84-96	Ignition Coil Mounting Strap	\$13⁹⁹
50687	84-91	Ignition Coil Mounting Screw	\$3⁹⁹
30355	84-92	Ignition/Distributor Module	\$72⁹⁹
51725	84-96	Ignition Module - LT1	\$174⁹⁹
50722	92-94	Ignition Module	\$126⁹⁹
50723	95	Ignition Module	\$116⁹⁹
50724	96	Ignition Module	\$126⁹⁹

1984-91 DISTRIBUTOR





Accel Ignition Coils, Distributor Components, Spark Plugs and Spark Plug Wires are designed to make your Corvette's ignition perform reliably and efficiently. Accel's innovations in ignition wire and distributor technology have earned the trust of auto and performance enthusiasts everywhere. Accel delivers a better spark and more MPG's. Get started with Accel.



1995-1996 OPTI-SPARK DISTRIBUTOR

The ACCEL Performance Replacement GM Opti-Spark II distributor replaces the weak link in your LT1 ignition system. It features an all-new construction with heavy-duty Oil-lite bushings and polished aluminum housings. The ACCEL Performance Replacement GM Opti-Spark II distributors include a high dielectric strength reinforced cap with brass contacts and a balanced rotor. Also included are new pin drive shaft seals, hardware, and easy-to-follow instructions.

51141 95-96 Opti-Spark Distributor - with Rotor & Cap - LT1 & LT4 **\$332⁹⁹**

#51128 1995-1996
Accel Distributor
Cap & Rotor Kit



1995-1996 ACCEL HEI DISTRIBUTOR CAP & ROTOR

Accel's heavy-duty, high-performance rotors and caps deliver maximum stability and optimum energy transfer at all RPMs and protect against arc-through and crossfire. Replaces stock rotor and cap.

51128 95-96 Distributor Cap & Rotor Kit - HEI - Accel **\$76⁹⁹**



#51123 1981-1991
Accel Distributor Module

1984-1991 ACCEL HEI DISTRIBUTOR MODULE

The solid state electronics in this HEI high-performance module produces higher output and superior reliability over stock. Dwell control circuitry delivers a long, consistent charge and the current control circuit prevents overheating.

51123 84-91 Distributor Module - Accel - 7 pin **\$66⁹⁹**



#51125 1984-1991
Accel Super Coil Ignition Coil

1984-1995 ACCEL HEI SUPER COILS

Accel Super Coils deliver 10% to 15% more energy than OEM coils by utilizing advanced bobbin technology, specialized silicone magnetic steel cores and optimized winding. High-temp epoxy resists shock and vibration while increasing conductivity. Direct plug-in replacements for OEM coils. HEI coils are compatible with both original and computer-controlled HEI Ignition Systems.

51125 84-91 Coil - Accel Super Coil - HEI **\$78⁹⁹**
51127 92-95 Coil - Accel Super Coil - HEI **\$52⁹⁹**



#51135 1990-1992
Accel Spark Plugs 4 Pack - ZR1

1990-1995 ACCEL SPARK PLUGS

51135 90-92 Accel Spark Plugs - 4 pk - ZR1 **\$14⁹⁹**
51137 93-95 Accel Spark Plugs - 4 pk - ZR1 **\$14⁹⁹**



WARNING: Cancer and Reproductive Harm - www.P65Warnings.ca.gov

(833) 4TopFlight | TopFlightAutomotive.com



Call or go online today to see a complete product line and to place your order!



#34300 1985-1991
Spark Plug Wires - Delco



1984-1996 SPARK PLUGS & WIRES

50672	84	Spark Plug - R45TS.....	\$2⁹⁹
51510	84-96	Spark Plug - Delco 41-906.....	\$9⁹⁹
51698	84-96	Spark Plug - Delco 41-943.....	\$10⁹⁹
50624	90-95	Spark Plug - Delco 41-602.....	\$2⁹⁹
51736	91	Spark Plug - Delco 41-110.....	\$11⁹⁹
34299	84	Spark Plug Wire Set - Delco.....	\$70⁹⁹
34300	85-91	Spark Plug Wire Set - Delco.....	\$73⁹⁹
34302	90-95	Spark Plug Wire Set - ZR1 - Delco.....	\$78⁹⁹
34301	92-95	Spark Plug Wire Set - LT1 - Delco.....	\$96⁹⁹
50971	96	Spark Plug Wire Set.....	\$81⁹⁹
39359	96	Spark Plug Wire Set - Automatic - Delco.....	\$110⁹⁹
39360	96	Spark Plug Wire Set - Manual - Delco.....	\$188⁹⁹
30340	84-95	Spark Plug Wire Retainer, 2-Wire - 7 req'd.....	\$4⁹⁹
30341	84-91	Spark Plug Wire Retainer, 4-Wire - Exc ZR1 - 6 req'd.....	\$7⁹⁹
30350	92-96	Spark Plug Wire Retainer Kit.....	\$11⁹⁹



#33655 1984-1987
Starter Solenoid - Delco

1984-1996 STARTER

50968	84-87	Starter Motor - Remanufactured.....	\$78⁹⁹
50969	88-91	Starter Motor - Exc ZR1 - Remanufactured.....	\$240⁹⁹
50372	90-95	Starter Motor - ZR1 - Remanufactured.....	\$276⁹⁹
50970	92-96	Starter Motor - Exc ZR1 - Remanufactured.....	\$240⁹⁹
33655	84-87	Starter Solenoid - Delco.....	\$22⁹⁹
33087	84-96	Starter Bolt Shim Kit - 5 pc.....	\$6⁹⁹

OTHER ENGINE ELECTRICAL

22109	84-87	Engine Ground Strap - Engine to Frame.....	\$15⁹⁹
22113	88-96	Engine Ground Strap - Engine to Frame.....	\$15⁹⁹
39048	84-96	Engine Ground Strap - Exc ZR1.....	\$38⁹⁹



#50814 1984
Diverter Valve



#50374 1986-1991
EGR Valve



#40918 1981-1984
PCV Valve



#29257 1984-1985
A.I.R. Tube Check Valve - Replacement

1984-1996 EMISSIONS

29257	84-85	A.I.R. Check Valve - Replacement.....	\$24⁹⁹
33698	84	EGR Valve Gasket.....	\$3⁹⁹
50817	85	EGR Valve - Manual.....	\$96⁹⁹
41650	85-90	EGR Control Valve.....	\$70⁹⁹
50702	85-91	EGR Valve Gasket.....	\$3⁹⁹
50374	86-91	EGR Valve.....	\$88⁹⁹
50745	92-95	EGR Valve - Manual - Exc ZR1.....	\$59⁹⁹
50715	92-96	EGR Valve - 92-95 Auto - Exc ZR1.....	\$106⁹⁹
50714	92-96	EGR Valve Control Solenoid.....	\$83⁹⁹
50716	93-95	EGR Valve - ZR1.....	\$223⁹⁹
51283	86-89	EGR Temperature Switch.....	\$62⁹⁹
51508	84-96	PCV Hose Valve.....	\$16⁹⁹
40918	81-84	PCV Valve.....	\$4⁹⁹
50981	85-88	PCV Valve.....	\$5⁹⁹
50982	89-91	PCV Valve.....	\$5⁹⁹
50367	92-96	PCV Valve.....	\$5⁹⁹
50368	90-95	PCV Valve w/ ZR1.....	\$8⁹⁹
50560	92-96	PCV Hose Connector.....	\$2⁹⁹





#39355 1993L-1996
Idle Pulley



#39353 1993-1996
Belt Tensioner - Except ZR1



#39358 1992-1996
Belt Tensioner Bolt



#30378 1992-1993E
Serpentine Engine Drive Belt - Except ZR1

1984-1996 DRIVE BELTS AND PULLEYS

30376	84-87	Engine Drive Belt	\$61 ⁹⁹
30377	88-91	Engine Drive Belt - Exc ZR1	\$48 ⁹⁹
30378	92-93	Engine Drive Belt - Exc ZR1 93E	\$59 ⁹⁹
30379	93-96	Engine Drive Belt - Exc ZR1 93L	\$40 ⁹⁹
51734	93-96	Engine Drive Belt	\$47 ⁹⁹
30380	90-95	Engine Drive Belt - ZR1	\$32 ⁹⁹
50897	84-91	Engine Drive Belt Idler Pulley - Exc 85, Exc 89	\$20 ⁹⁹
39354	92-93	Engine Drive Belt Idler Pulley - 93E	\$11 ⁹⁹
39355	93-96	Engine Drive Belt Idler Pulley - 93L	\$23 ⁹⁹
50932	92	Engine Drive Belt Idler Pulley - ZR1	\$13 ⁹⁹
30381	84	Engine Drive Belt Tensioner	\$177 ⁹⁹
30382	85-87	Engine Drive Belt Tensioner - L98	\$116 ⁹⁹
30383	88-91	Engine Drive Belt Tensioner - L98	\$70 ⁹⁹
39352	92-93	Engine Drive Belt Tensioner - 93E - Exc ZR1	\$64 ⁹⁹
39353	93-96	Engine Drive Belt Tensioner - 93L - Exc ZR1	\$50 ⁹⁹
50934	84-87	Engine Drive Belt Tensioner Pulley	\$24 ⁹⁹
50933	88-96	Engine Drive Belt Tensioner Pulley	\$23 ⁹⁹
39358	92-96	Engine Drive Belt Tensioner Bolt	\$29 ⁹⁹



#41705 1986-1987
Mass Airflow Sensor - GM

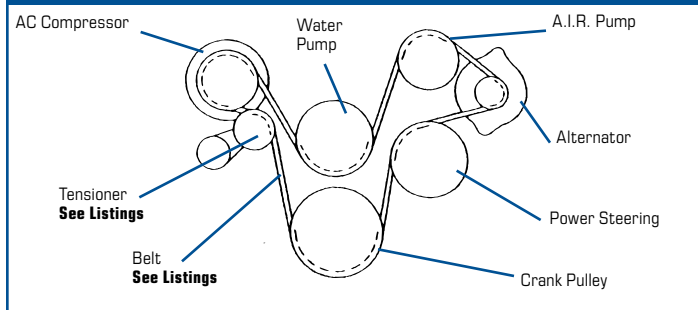


#37684 1988-1993
Oxygen Sensor - LT-1

1984-1996 SENSORS

50796	90-95	Air Intake Temperature Sensor - ZR1	\$34 ⁹⁹
30346	84-95	Coolant Temperature Gauge Sensor - 1-Blade	\$28 ⁹⁹
50797	84-96	Engine Knock Detonation Sensor - 84-86 All, 91-95 ZR1, 96 All	\$46 ⁹⁹
50794	87-89	Engine Knock Detonation Sensor	\$49 ⁹⁹
50808	90-91	Engine Knock Detonation Sensor	\$44 ⁹⁹
50798	92-95	Engine Knock Detonation Sensor - Exc ZR1	\$47 ⁹⁹
30367	84-87	Exhaust Gas Oxygen Sensor (EGO)	\$30 ⁹⁹
30371	84	Idle Air Control Valve (IAC)	\$137 ⁹⁹
30372	85-88	Idle Air Control Valve Kit (IAC)	\$69 ⁹⁹
30373	89-93	Idle Air Control Valve (IAC)	\$160 ⁹⁹
50720	92-95	Idle Air Control Valve (IAC) - ZR1	\$60 ⁹⁹
50719	94	Idle Air Control Valve (IAC)	\$54 ⁹⁹
50721	95-96	Idle Air Control Valve (IAC)	\$152 ⁹⁹
30366	84-96	Manifold Air Pressure Sensor	\$88 ⁹⁹
50736	90-95	Manifold Air Pressure Sensor - ZR1	\$62 ⁹⁹
30374	85	Manifold Air Temperature Sensor - MAT - 85E - matches w/ square connector	\$50 ⁹⁹
30375	85-91	Manifold Air Temperature Sensor - MAT - 85L	\$29 ⁹⁹
37965	92-96	Manifold Air Temperature Sensor	\$23 ⁹⁹
41705	86-87	Mass Air Flow Sensor - GM	\$1113 ⁹⁹
41707	94-96	Mass Air Flow Sensor	\$126 ⁹⁹
41717	86-87	Mass Air Flow Sensor - Remanufactured	\$330 ⁹⁹
41718	88-89	Mass Air Flow Sensor - Remanufactured	\$315 ⁹⁹
50705	87-92	Mass Air Flow Sensor Relay	\$23 ⁹⁹
30365	85-89	Mass Air Flow Sensor Seal	\$2 ⁹⁹
25824	84-87	Oxygen Sensor	\$40 ⁹⁹
37684	88-93	Oxygen Sensor - LT-1	\$40 ⁹⁹
40662	90-95	Oxygen Sensor - ZR1 - Aftermarket	\$54 ⁹⁹
51864	90-95	Oxygen Sensor - ZR1 - GM	\$90 ⁹⁹
50737	94-96	Oxygen Sensor - LT-1	\$45 ⁹⁹
25793	84	Throttle Position Sensor (TPS)	\$84 ⁹⁹
30368	84	Throttle Position Sensor Kit (TPS)	\$126 ⁹⁹
30369	85-89	Throttle Position Sensor Kit (TPS)	\$86 ⁹⁹
30370	90-91	Throttle Position Sensor Kit (TPS) - Exc ZR1	\$104 ⁹⁹
50740	92-93	Throttle Position Sensor (TPS) - Exc ZR1	\$40 ⁹⁹
50739	90-95	Throttle Position Sensor (TPS) - ZR1	\$80 ⁹⁹
50564	91-96	Vehicle Speed Sensor w/ White Gear	\$70 ⁹⁹
50799	94-96	Vehicle Speed Sensor - Auto Trans	\$39 ⁹⁹

1984-96 SERPENTINE ENGINE DRIVE BELT



1984-1993 OXYGEN SENSOR TEST TOOL

Your Corvette's engine relies on getting the proper information from its oxygen sensor in order to perform properly. Test yours for proper functioning, using this tool and a digital engine analyzer and save yourself big repair bills.



22804	84-93	Oxygen Sensor Test Tool	\$15 ⁹⁹
--------------	-------	-------------------------	--------------------



WARNING: Cancer and Reproductive Harm - www.P65Warnings.ca.gov

(833) 4TopFlight | TopFlightAutomotive.com





#3291 1985-1992
Adjustable Fuel
Pressure Regulator

#27529 1984-1991
Oil Filter - PF-454



#39391 1993-1996
Oil Filler Cap



#30345 1981-1989
Oil Temperature Sender Switch

1984-1996 OIL SYSTEM

34297	95-96	Dipstick - Exc ZR1	\$22 ⁹⁹
27537	84-96	Oil Drain Plug w/ Gasket - Magnetic	\$6 ⁹⁹
27539	84-96	Oil Drain Plug Gasket	\$8 ⁹⁹
33610	84-86	Oil Filler Cap - Chrome - Twist In	\$4 ⁹⁹
51152	84-87	Oil Filler Cap - Replacement	\$3 ⁹⁹
30329	86-95	Oil Filler Cap 92 LT1, 94-95 ZR1	\$10 ⁹⁹
39390	90-92	Oil Filler Cap ZR1	\$9 ⁹⁹
39391	93-96	Oil Filler Cap - 93 All, 94-96 - Exc ZR1	\$14 ⁹⁹
50912	93-96	Oil Filler Cap - Replacement	\$5 ⁹⁹
27529	84-91	Oil Filter - PF-454	\$5 ⁹⁹
50467	84-91	Oil Filter - Performance Gold - K&N	\$18 ⁹⁹
34296	90-95	Oil Filter - ZR1	\$6 ⁹⁹
50473	90-95	Oil Filter - ZR1 Performance Gold - K&N	\$17 ⁹⁹
50472	92-96	Oil Filter - LT1 / LT4 Performance Gold - K&N	\$14 ⁹⁹
34295	92-96	Oil Filter - PF 52 - LT1	\$6 ⁹⁹
50566	84-96	Oil Filter Gasket Kit	\$4 ⁹⁹
30629	84-93	Oil Filter & Pan Gasket Kit - Auto	\$39 ⁹⁹
50735	90-95	Oil Level Sensor	\$48 ⁹⁹
33625	84-85	Oil Pan Gasket Set	\$19 ⁹⁹
39389	93-96	Oil Pan Gasket Set - Exc ZR1	\$31 ⁹⁹
30343	84	Oil Pressure Sensor - 3 Blade - 84E	\$124 ⁹⁹
30344	84-88	Oil Pressure Sensor - 1 Blade - 84L	\$32 ⁹⁹
40894	88-89	Oil Pressure Sender	\$23 ⁹⁹
30347	89-96	Oil Pressure Sender - 3 Blade - Exc ZR1	\$40 ⁹⁹
50729	90-95	Oil Pressure Sender - ZR1	\$20 ⁹⁹
50090	90-96	Oil Pressure Sender	\$47 ⁹⁹
50752	90-96	Oil Pressure Switch	\$18 ⁹⁹
30345	81-89	Oil Temperature Sender Switch	\$101 ⁹⁹
50731	92-95	Oil Temperature Sender - Exc ZR1	\$24 ⁹⁹
50732	90-95	Oil Temperature Sender - ZR1	\$38 ⁹⁹
50800	90-96	Oil Temperature Sender Switch	\$55 ⁹⁹
28866	85-91	Heater Hose - Oil Cooler to Metal Line - KC4 Oil Cooler Option	\$22 ⁹⁹

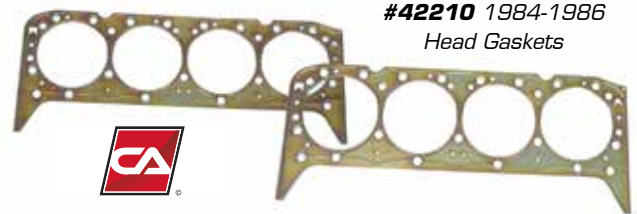


#22141 1984-1986
Valve Covers 86E Cast Iron Heads (sold in pairs)

1984-1996 VALVE COVERS

22141	84-86	Valve Covers - 86E Cast Iron Heads	\$264 ⁹⁹
24083	85-86	Valve Cover - RH - 86 Cast Iron Heads	\$135 ⁹⁹
32570	93-96	Valve Cover - RH - LT1 & LT4	\$279 ⁹⁹
51495	93-96	Valve Cover Bolt Seal Grommet	\$12 ⁹⁹
2969	85-90	Valve Cover Emblem	\$42 ⁹⁹
50747	84-86	Valve Cover Gaskets - 86 Iron Heads - pr	\$23 ⁹⁹
30326	86-92	Valve Cover Gasket - 86 Alum. Heads - 2 req'd	\$30 ⁹⁹
34293	93-96	Valve Cover Gasket - pr	\$24 ⁹⁹
33470	84	Vent Tube Grommet in LH Valve Cover	\$5 ⁹⁹
33457	84	Vent Tube Grommet in RH Valve Cover	\$5 ⁹⁹

#42210 1984-1986
Head Gaskets



1984-1996 ENGINE GASKETS & SEALS

36546	84-85	Engine Gasket Set	\$55 ⁹⁹
42207	84-86	Head Gasket - ea	\$14 ⁹⁹
42210	84-86	Head Gaskets - pr	\$27 ⁹⁹
50371	92-95	Head Gasket - ea	\$38 ⁹⁹
50059	84	Intake Manifold Gasket	\$62 ⁹⁹
50890	84	Intake Manifold Gasket Set	\$40 ⁹⁹
51511	84-96	Intake Manifold Gasket Set	\$42 ⁹⁹
50891	85	Intake Manifold Gasket Set	\$23 ⁹⁹
50892	86	Intake Manifold Gasket Set - Cast Head	\$54 ⁹⁹
50893	86-91	Intake Manifold Gasket Set - Aluminum Head	\$33 ⁹⁹
50894	92-96	Intake Manifold Gasket Set - Exc LT4	\$21 ⁹⁹
50895	96	Intake Manifold Gasket Set - LT4	\$19 ⁹⁹
50057	84-91	Timing Cover Gasket Set	\$27 ⁹⁹
51512	84-96	Timing Cover Gasket	\$6 ⁹⁹
51513	84-96	Throttle Body Gasket	\$12 ⁹⁹
51006	84-96	Seal - Crankshaft - GM	\$27 ⁹⁹
51674	84-96	Seal - Front Cover & Crankshaft	\$22 ⁹⁹

1994-1996 ENGINE RELATED

36669	84-96	Accelerator Cable to Carburetor Clip	\$2 ⁹⁹
30879	84-91	Crankshaft Balancer - Replacement	\$55 ⁹⁹
35479	84-96	Head Bolt Set - Does 1 Head	\$42 ⁹⁹
34307	84-91	Engine Mount - Exc ZR1	\$99 ⁹⁹

1984-1996 FUEL INJECTORS, PRESSURE REGULATORS

50818	84	Fuel Injector - Front	\$161 ⁹⁹
50819	84	Fuel Injector - Rear	\$230 ⁹⁹
50789	85-88	Fuel Injector - Lucas style	\$106 ⁹⁹
50788	86-88	Fuel Injector - Bosch style	\$132 ⁹⁹
50792	85-91	Fuel Injector Gasket Kit	\$4 ⁹⁹
3291	85-91	Adjustable Fuel Pressure Regulator	\$91 ⁹⁹
50703	86-91	Fuel Pressure Regulator	\$132 ⁹⁹
50717	92-96	Fuel Pressure Regulator - Exc ZR1	\$69 ⁹⁹

Also See "Fuel System" Section.





1992-1996 ACRYLIC FUEL RAIL COVER LETTER SET

This inexpensive Acrylic Letter Set adds a nice touch to your engine compartment.

41925	92-93	Chrome	41923	92-93	Red
41929	94-96	Chrome	41927	94-96	Red

1992-1996 Fuel Rail Cover Letter Set.....\$**31⁹⁹**



1984-1996 FLUID CAP COVER SETS

Dress up your C4 Corvette with a chrome and brushed stainless steel fluid cap cover set. Features a laser-etched C4 logo with your choice of vinyl inlay color.

5 Piece Sets

55507	84-96	C4 Logo Inlay - Satin Black - 9	\$ 143⁹⁹
55508	84-96	C4 Logo Inlay - Carbon Fiber Black - 1	\$ 143⁹⁹
55509	84-96	C4 Logo Inlay - Carbon Fiber Blue - 2	\$ 143⁹⁹
55513	84-96	C4 Logo Inlay - Carbon Fiber Green - 3	\$ 143⁹⁹
55514	84-96	C4 Logo Inlay - Carbon Fiber Orange - 4	\$ 143⁹⁹
55515	84-96	C4 Logo Inlay - Carbon Fiber Purple - 5	\$ 143⁹⁹
55516	84-96	C4 Logo Inlay - Carbon Fiber Red - 6	\$ 143⁹⁹
55520	84-96	C4 Logo Inlay - Carbon Fiber White - 7	\$ 143⁹⁹
55521	84-96	C4 Logo Inlay - Carbon Fiber Yellow - 8	\$ 143⁹⁹
55510	84-96	C4 Logo Inlay - Solid Bright Red - 10	\$ 143⁹⁹
55511	84-96	C4 Logo Inlay - Solid Dark Blue - 11	\$ 143⁹⁹
55512	84-96	C4 Logo Inlay - Solid Garnet Red - 12	\$ 143⁹⁹
55517	84-96	C4 Logo Inlay - Solid Black - 13	\$ 143⁹⁹
55518	84-96	C4 Logo Inlay - Solid Synergy Green - 14	\$ 143⁹⁹
55519	84-96	C4 Logo Inlay - Solid Yellow - 15	\$ 143⁹⁹

6 Piece Sets

55522	84-96	C4 Logo Inlay - Satin Black - 9	\$ 170⁹⁹
55523	84-96	C4 Logo Inlay - Carbon Fiber Black - 1	\$ 170⁹⁹
55524	84-96	C4 Logo Inlay - Carbon Fiber Blue - 2	\$ 170⁹⁹
55528	84-96	C4 Logo Inlay - Carbon Fiber Green - 3	\$ 170⁹⁹
55529	84-96	C4 Logo Inlay - Carbon Fiber Orange - 4	\$ 170⁹⁹
55530	84-96	C4 Logo Inlay - Carbon Fiber Purple - 5	\$ 170⁹⁹
55531	84-96	C4 Logo Inlay - Carbon Fiber Red - 6	\$ 170⁹⁹
55535	84-96	C4 Logo Inlay - Carbon Fiber White - 7	\$ 170⁹⁹
55536	84-96	C4 Logo Inlay - Carbon Fiber Yellow - 8	\$ 170⁹⁹
55525	84-96	C4 Logo Inlay - Solid Bright Red - 10	\$ 170⁹⁹
55526	84-96	C4 Logo Inlay - Solid Dark Blue - 11	\$ 170⁹⁹
55527	84-96	C4 Logo Inlay - Solid Garnet Red - 12	\$ 170⁹⁹
55532	84-96	C4 Logo Inlay - Solid Black - 13	\$ 170⁹⁹
55533	84-96	C4 Logo Inlay - Solid Synergy Green - 14	\$ 170⁹⁹
55534	84-96	C4 Logo Inlay - Solid Yellow - 15	\$ 170⁹⁹

Choose Your Vinyl Inlay Color!



1984-1996 CHROME ENGINE COVER KITS

43438	84-89	Engine Chrome Cover Kit - 4 pc - Includes (2) Master Cylinder Caps, Cruise Control Cap, Radiator Reservoir Cap.....	\$ 101⁹⁹
43437	86-87	Engine Chrome Cover Kit - 3 pc - Includes Master Cylinder Cap, Cruise Control Cover Cap, Radiator Reservoir Cap.....	\$ 81⁹⁹
43430	90-91	Engine Chrome Cover Kit - 4 pc - Includes (2) Master Cylinder Caps, Radiator Reservoir Cap, Cruise Control Cap	\$ 91⁹⁹



#40366 1984-1996
Chrome Radiator
Reservoir Cap Cover



#40361 1984-1996
Chrome Cruise
Control Cover

INDIVIDUAL ENGINE DRESS-UP COMPONENTS

Clean up the grunge look and add a highly polished appearance under your hood. We offer chrome accent components that are made with pure copper, plated in high-polish chrome and stainless steel accents that are polished to look like chrome. All attach to stock components with ease. They resist heat and stains. Simply clean with any non-abrasive chrome cleaner and polish occasionally for continuous luster and beauty.

1984-1996 MASTER CYLINDER CAP COVERS

40359	84-91	Master Cylinder Cap Cover - Chrome.....	\$ 24⁹⁹
40365	92-96	Master Cylinder Cap Cover - Chrome.....	\$ 23⁹⁹

1984-1996 RADIATOR RESERVOIR CAP COVER

40366	84-96	Radiator Reservoir Cap Cover - Chrome.....	\$ 34⁹⁹
--------------	-------	--	---------------------------

1984-1996 CRUISE CONTROL COVER

Apply with included double-faced industrial tape. No modifications to stock controls.

40361	84-96	Cruise Control Cover - Chrome.....	\$ 30⁹⁹
--------------	-------	------------------------------------	---------------------------

CORVETTE FENDER GRIPPER

Made from a non-slip material that will not slide on slick surfaces so your tools will not slip off the Fender Gripper. Remember, Fender Gripper is completely washable, and impervious to motor oil so clean up is a snap!



46497	84-96	Fender Gripper w/ C4 Logo	\$ 31⁹⁹
--------------	-------	---------------------------------	---------------------------

#25559 1986-1990
Catalytic Converter



#39429 1986-1996
Exhaust Pipe
Heat Shield - RH



#25555 1986-1990
Rear Y Pipe with Heat Shields



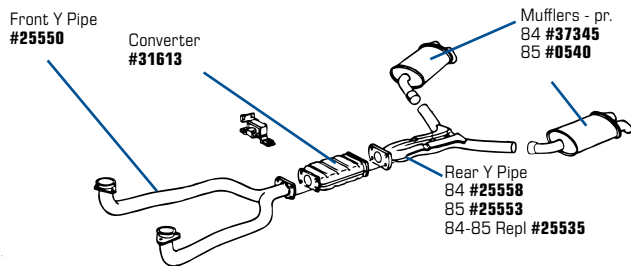
#39402 1990
ZR1 Muffler - LH



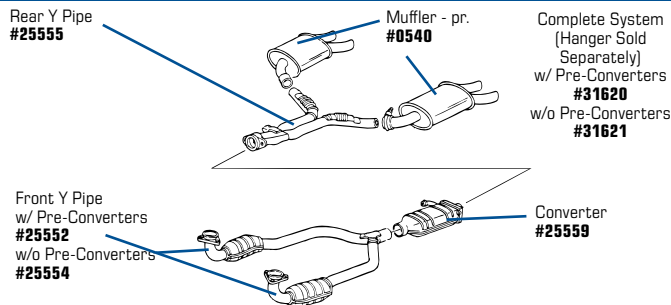
1984-1996 EXHAUST

31613	84-85	Catalytic Converter	\$189 ⁹⁹
25559	86-90	Catalytic Converter	\$227 ⁹⁹
34318	84-91	Catalytic Converter Air Tube Kit	\$28 ⁹⁹
39430	92-96	Catalytic Converter Brace - Auto - LH	\$10 ⁹⁹
39431	92-96	Catalytic Converter Brace - Auto - RH	\$10 ⁹⁹
39433	92-96	Catalytic Converter Brace - Manual - RH	\$10 ⁹⁹
39439	92-96	Catalytic Converter Brace Insulator - LH	\$1 ⁹⁹
39440	92-96	Catalytic Converter Brace Insulator - RH	\$1 ⁹⁹
39410	90-95	Catalytic Converter Heat Shield - LH - ZR1	\$14 ⁹⁹
39411	90-95	Catalytic Converter Heat Shield - RH - ZR1	\$13 ⁹⁹
34316	84-85	Catalytic Converter Inject. Pipe Check Valve	\$40 ⁹⁹
35310	85-90	Catalytic Converter Insulator - Rear	\$15 ⁹⁹
51239	84-87	Exhaust Manifold w/ Heat Shield - RH	\$193 ⁹⁹

1984-85 EXHAUST

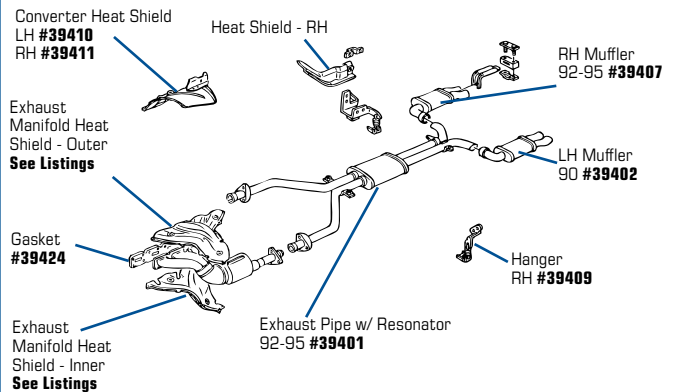


1986-91 EXHAUST

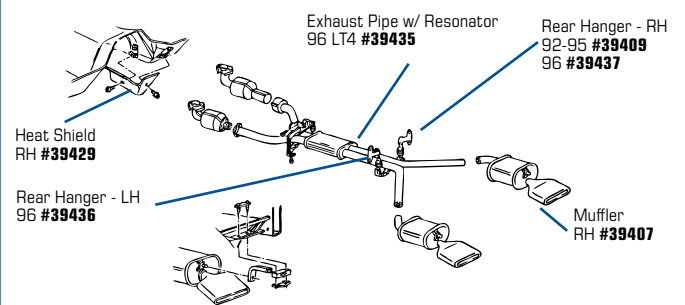


27600	85-96	Exhaust Manifold Bolt/Stud Kit - Exc ZR1	\$21 ⁹⁹
50749	84-91	Exhaust Manifold Gasket - Exc ZR1 - set	\$13 ⁹⁹
39426	84-91	Exhaust Manifold Gasket - Center - Exc ZR1	\$23 ⁹⁹
39427	92-96	Exhaust Manifold Gasket - Exc ZR1 - 2 req'd	\$28 ⁹⁹
39412	90-91	Exhaust Manifold Heat Shld - Inner - LH - ZR1	\$50 ⁹⁹
39414	90-92	Exhaust Manifold Heat Shld - Inner - RH - ZR1	\$37 ⁹⁹
39413	93-95	Exhaust Manifold Heat Shld - Inner - LH - ZR1	\$102 ⁹⁹
39415	93-95	Exhaust Manifold Heat Shld - Inner - RH - ZR1	\$102 ⁹⁹
39416	90-91	Exhaust Manifold Heat Shld - Outer - LH - ZR1	\$37 ⁹⁹
39417	92-95	Exhaust Manifold Heat Shld - Outer - LH - ZR1	\$102 ⁹⁹
39418	93-95	Exhaust Manifold Heat Shield - Outer - Front - RH - ZR1	\$108 ⁹⁹
39419	93-95	Exhaust Manifold Heat Shield - Outer - Rear - RH - ZR1	\$71 ⁹⁹
25550	84-85	Exhaust Pipe - Front Y	\$234 ⁹⁹
25552	86-90	Exhaust Pipe - Front Y w/ Pre-converters	\$365 ⁹⁹
25554	86-90	Exhaust Pipe - Front Y w/o Pre-converters	\$224 ⁹⁹
25558	84	Exhaust Pipe - Rear Y	\$147 ⁹⁹
25553	85	Exhaust Pipe - Rear Y w/ Heat Shields	\$140 ⁹⁹
25535	84-85	Exhaust Pipe - Rear Y - Replacement	\$284 ⁹⁹
25555	86-90	Exhaust Pipe - Rear Y w/ Heat Shields	\$191 ⁹⁹
57415	86-91	Exhaust Pipe - Hooker Classic Hi Flow Y Pipe	\$236 ⁹⁹
39435	96	Exhaust Pipe w/ Resonator - LT4	\$458 ⁹⁹
33737	84-90	Exhaust Pipe Clamp - 2 1/2" - Heavy Duty	\$4 ⁹⁹
33738	84-95	Exhaust Pipe Clamp - 2 3/4" - Heavy Duty	\$3 ⁹⁹
33114	84-90	Exhaust Pipe Clamp - 2 1/2" - SS	\$12 ⁹⁹
39436	96	Exhaust Pipe Hanger - Rear - LH	\$33 ⁹⁹
39429	86-96	Exhaust Pipe Heat Shield - RH	\$13 ⁹⁹
39441	94-96	Exhaust Pipe Heat Shield - LH - LT1 & LT4	\$3 ⁹⁹
39401	92-95	Exhaust Pipe w/ Resonator - ZR1	\$654 ⁹⁹
39402	90	Muffler - LH - ZR1	\$130 ⁹⁹
34313	84-88	Muffler Hanger Insulator	\$14 ⁹⁹
39393	85-91	Rear Y-Pipe Hanger	\$22 ⁹⁹
34309	84-94	Rear Y-Pipe Heat Shields - pr	\$49 ⁹⁹

1990-95 ZR1 EXHAUST SYSTEM



1992-96 EXHAUST





#0540 1985-1990
Aluminized Mufflers
with Tips



1984-1996 REPRODUCTION MUFFLERS

Manufactured from Aluminized Steel (65% Stainless, 25% Aluminum and 10% Carbon Steel), they look like the original but last much longer! Require no adapters or sleeves.

- 37345** 84 Mufflers - Aluminized w/ Tips - pr **\$344⁹⁹**
- 0540** 85-90 Mufflers - Aluminized w/ Tips - pr **\$382⁹⁹**
- 37346** 91 Mufflers - Aluminized w/ Tips - pr **\$248⁹⁹**
- 37347** 92-96 Mufflers - Aluminized w/ LT-1 Style Tips - pr **\$315⁹⁹**



1984-1996 MUFFLER ELIMINATOR PIPES

Designed for the performance-minded Corvette owner. These direct-fit eliminator pipes replace your mufflers for a straight flow-through exhaust. Stainless steel tips appear in same location as with normal mufflers. Perfect for cars with high-performance computer chips.

- 34319** 84-90 Muffler Eliminator Pipes - pr **\$195⁹⁹**
- 34320** 92-96 Muffler Eliminator Pipes - pr **\$198⁹⁹**

#25824 1984-1987
Oxygen Sensor



#40662 1990-1995
Oxygen Sensor - ZR1

1984-1996 OXYGEN SENSORS

- 25824** 84-87 Oxygen Sensor **\$40⁹⁹**
- 37684** 87-93 Oxygen Sensor - LT1 **\$40⁹⁹**
- 40662** 90-95 Oxygen Sensor - ZR1 - Aftermarket **\$54⁹⁹**
- 51864** 90-95 Oxygen Sensor - ZR1 - GM **\$90⁹⁹**
- 50737** 94-96 Oxygen Sensor - LT1 & LS1 **\$45⁹⁹**

[See More Sensors in Engine Section.](#)

1985-1991 ANGLE CUT EXHAUST EXTENSIONS

Give the tail end of your 1985-1991 Corvette a new look at a great price with these stainless steel Angle Cut Exhaust Extensions. Simply clamp onto existing pipes using the included hardware. Also included are shims for smaller diameter tail pipes.



- X2429** 85-91 Exhaust Extensions - Angle Cut - 4 pc set. **\$87⁹⁹**

1985-1991 ZR1 STYLE EXHAUST TIPS

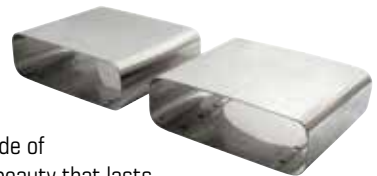
The four individual tips give your 1985-91 Corvette a touch of that unmistakable ZR1 style. Set of 4 comes complete with all mounting hardware and installation instructions.



- X2432** 85-91 Chromed Steel - 4 pc set. **\$50⁹⁹**

1985-1996 LT1 STYLE EXHAUST TIPS

Our LT1 style exhaust tips offer a low profile look that matches the contours of the exhaust opening on your 1985-96 rear bumper. Made of luster-polished stainless steel for beauty that lasts. Set of 2 comes complete with all mounting hardware.



- X2430** 85-91 LT1 Style Exhaust - pr **\$45⁹⁹**
- X2431** 92-96 LT1 Style Exhaust - pr **\$56⁹⁹**



#57420 1992-1995
Hooker Classic Shorty
Headers - Ceramic Coated



#57417 1984-1996
Hooker Classic Long Tube
Headers - Painted Black



1984-1996 HOOKER HEADERS

- 57416** 84-96 Super Competition Long Tube Headers - Ceramic Coated **\$893⁹⁹**
- 57417** 84-96 Hooker Classic Super Competition Long Tube Headers - Painted Black **\$568⁹⁹**
- 57418** 84-91 Hooker Classic Super Competition Long Tube Headers - Ceramic Coated Silver for A.I.R. Injection **\$785⁹⁹**
- 57419** 92-95 Hooker Classic Super Competition Shorty Headers - Painted Black - LT1 **\$543⁹⁹**
- 57420** 92-95 Hooker Classic Super Competition Shorty Headers - Ceramic Coated Silver - LT1 **\$807⁹⁹**
- 57415** 86-91 Exhaust Pipe - Hooker Classic Hi Flow Y Pipe **\$236⁹⁹**
- 57371** 84-91 Hooker Classic Header Gasket - Square Ports **\$14⁹⁹**
- 57374** 84-91 Hooker Classic Header Gasket - Circle Ports **\$14⁹⁹**
- 57398** 84-90 Hooker Classic Header Gasket - Big Block Square Ports **\$14⁹⁹**
- 57413** 84-90 Hooker Classic Super Comp. Alternator Bracket **\$41⁹⁹**



WARNING: Cancer and Reproductive Harm - www.P65Warnings.ca.gov

(833) 4TopFlight | TopFlightAutomotive.com





#24052 1984-1990
Side Louver Panel - LH



#43811 1991-1996
Side Body Moldings - Rear

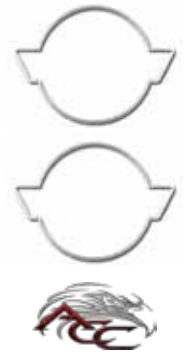


#24057 1985-1990
TPI Fender Molding - RH

1984-1996 EXTERIOR TRIM

43425	86	Body Stripe Decal Kit - Pace Silver	\$274⁹⁹
43426	86	Body Stripe Decal Kit - Pace Car w/ Gold Letters & 20th Indy Logo.....	\$274⁹⁹
43427	86	Body Stripe Decal Kit - Pace Car - Gold Stripes w/ Black Letters & 20th Indy Logo.....	\$274⁹⁹
39456	95	Body Stripe Decal - Pace Car - Rear Fender - Upper - LH.....	\$161⁹⁹
39457	95	Body Stripe Decal - Pace Car - Rear Fender - Upper - RH	\$161⁹⁹
39469	96	Body Stripe Decal - Grand Sport - Deck Lid - Conv	\$43⁹⁹
39463	96	Body Stripe Decal - Grand Sport - Front Fender.....	\$41⁹⁹
39465	96	Body Stripe Decal - Grand Sport - Halo Panel Front.....	\$11⁹⁹
39466	96	Body Stripe Decal - Grand Sport - Halo Panel Rear	\$12⁹⁹
39468	96	Body Stripe Decal - Grand Sport - Rear Bumper	\$36⁹⁹
39470	96	Body Stripe Decal - Grand Sport - Rear Deck - Conv	\$134⁹⁹
39467	96	Body Stripe Decal - Grand Sport - Rear Deck - Coupe	\$60⁹⁹
43455	84-96	Front Fender Accent Strips - Red	\$24⁹⁹
43456	84-96	Front Fender Accent Strips - Silver.....	\$24⁹⁹
43457	84-96	Front Fender Accent Strips - Black.....	\$24⁹⁹
30402	84-90	Rear Quarter Panel Front Molding - RH - Exc 35th.....	\$77⁹⁹

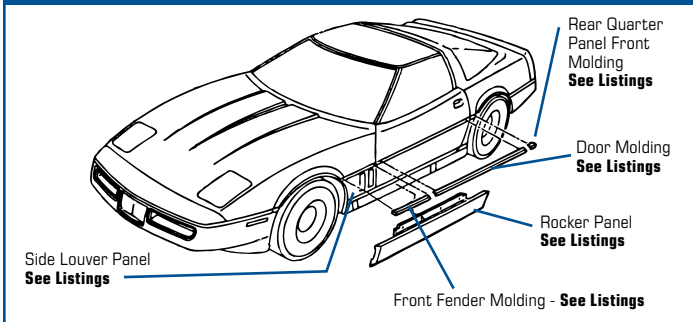
43811	91-96	Rear Side Body Moldings - pr	\$40⁹⁹
9087	90-95	Rocker Panel - RH - ZR1	\$267⁹⁹
24052	84-90	Side Louver Panel - LH.....	\$130⁹⁹
24051	84-90	Side Louver Panel - RH	\$130⁹⁹
24050	91-94	Side Louver Panel - LH - Replacement.....	\$130⁹⁹
24055	91-94	Side Louver Panel - RH - Replacement.....	\$130⁹⁹
39444	95-96	Side Louver Panel - LH - Replacement	\$162⁹⁹
39445	95-96	Side Louver Panel - RH - Replacement	\$168⁹⁹
24020	84-90	Front Bumper Molding, Center - GM	\$363⁹⁹
24021	84-90	Front Bumper Molding, Center - Replacement	\$116⁹⁹
24025	84-90	Front Bumper Molding, LH	\$74⁹⁹
24026	84-90	Front Bumper Molding, RH.....	\$74⁹⁹
24046	84-90	Door Molding - LH	\$85⁹⁹
24047	84-90	Door Molding - RH.....	\$85⁹⁹
24048	84-90	Rear Quarter Molding Front Of Tire - LH	\$44⁹⁹
24049	84-90	Rear Quarter Molding Front Of Tire - RH.....	\$44⁹⁹
24056	85-90	TPI Fender Molding LH.....	\$74⁹⁹
24057	85-90	TPI Fender Molding RH	\$74⁹⁹
24058	84	Cross Fire Fender Molding - LH	\$74⁹⁹
24059	84	Cross Fire Fender Molding - RH.....	\$74⁹⁹
24068	84	Body Molding Kit w/Cross Fire	\$744⁹⁹
24069	85-90	Body Molding Kit w/ TPI Except 35th Anniv.....	\$744⁹⁹
24029	84-90	Rear Bumper Molding - LH Outer	\$74⁹⁹
24030	84-90	Rear Bumper Molding - RH Outer	\$74⁹⁹
24031	84-90	Rear Bumper Molding - LH.....	\$85⁹⁹
24032	84-90	Rear Bumper Molding - RH.....	\$85⁹⁹
51412	84-90	Body Molding Mounting Nuts - 53 pc	\$17⁹⁹
40356	91-96	Door Molding Nut Set - 2 pc set	\$5⁹⁹
40357	91-96	Door Molding Nut.....	\$1⁹⁹



1984-1996 STAINLESS TRIM FROM AMERICAN CAR CRAFT

55502	84-90	Side Vent Grilles, Perforated Stainless Steel - 4 pc .	\$78⁹⁹
55503	91-94	Side Vent Grilles, Perforated Stainless Steel - 2 pc .	\$56⁹⁹
55504	95-96	Side Vent Grilles, Perforated Stainless Steel - 2 pc .	\$56⁹⁹
55501	91-94	Side Vent Spears, Polished Stainless Steel - 8 pc ...	\$99⁹⁹
55505	84-90	Corvette Emblem Trim Rings, Polished Stainless - 2 pc	\$38⁹⁹
55506	91-96	Corvette Emblem Trim Rings, Polished Stainless - 2 pc	\$38⁹⁹

1984-96 EXTERIOR TRIM & MOLDING



1984-1990 SIDEPORT LOUVERS

A perfect match with Taillight Louvers to give your body a more dynamic appearance. These ABS Sideport Louvers simply lock into place. Installation instructions included. Set of 12.



41791	84-90	Side Vent Louvers - 12 pc set	\$17⁹⁹
--------------	-------	-------------------------------------	--------------------------





1984-1994 SIDE LOUVER PANEL BLACK-OUT DECALS

Louver black-out decals are computer die cut from automotive grade matte black vinyl and beautifully detail your Corvette's side louvers. Easy installation with peel and stick backing which contains durable adhesive that holds up through car washes, summer heat and wet weather.

- 29811** 84-90 Side Louver Panel Black-Out Decals **\$19⁹⁹**
- 29810** 91-94 Side Louver Panel Black-Out Decals **\$22⁹⁹**



1984-1996 FRONT FENDER ACCENT STRIPS

These Front Fender Accent Strips add a hint of Corvette's Grand Sport heritage to your car. Made of heavy-duty peel and stick vinyl for convenient application and removal. Only fits Left Side.

- 43455** 84-96 Red **43456** 84-96 Silver **43457** 84-96 Black
- 1984-1996 Front Fender Accent Strips - set of 2 **\$24⁹⁹**



1984-1996 CONTOUR SPLASH GUARDS

Made of black ABS, these guards look great (even better when painted to match). Use stock inner skirt bolts and supplied hardware for a simple installation. Sold in pairs.

- 21380** 84-90 Contour Splash Guards - Front - pr **\$50⁹⁹**
- 21381** 84-90 Contour Splash Guards - Rear - pr **\$50⁹⁹**
- 21382** 91-96 Contour Splash Guards - Front - pr **\$50⁹⁹**
- 21383** 91-96 Contour Splash Guards - Rear - pr **\$50⁹⁹**
- 21384** 90-95 Contour Splash Guards - ZR1- Front - pr **\$50⁹⁹**
- 21385** 90-95 Contour Splash Guards - ZR1- Rear - pr **\$50⁹⁹**



1984-1996 REAR QUARTER PANELS

Better than GM's one-piece panel, these two-piece Rear Quarter Panels lets you replace only the section you need repaired.

- 2423** 84-96 Rear Quarter Panel - LH **\$479⁹⁹**
- 2426** 84-96 Rear Quarter Panel - RH **\$479⁹⁹**



1984-1996 FIBERGLASS & URETHANE BUMPERS

- 2607** 84-90 Fiberglass Front Bumper **\$620⁹⁹**
- 41063** 84-90 Fiberglass Front Bumper E-Zee Fit **\$635⁹⁹**
- 26998** 91-96 Fiberglass Front Bumper **\$620⁹⁹**
- 41064** 91-96 Fiberglass Front Bumper E-Zee Fit **\$635⁹⁹**



1984-1996 REAR BUMPERS

- 2616** 84-90 Fiberglass Rear Bumper **\$687⁹⁹**
- 41065** 84-90 Fiberglass Rear Bumper E-Zee Fit **\$702⁹⁹**
- 26999** 91-96 Fiberglass Rear Bumper **\$687⁹⁹**
- 41066** 91-96 Fiberglass Rear Bumper E-Zee Fit **\$687⁹⁹**
- 34179** 91-96 Rear Bumper - Urethane **\$789⁹⁹**
- 35117** 91-96 Rear Bumper - C5 Style w/ Spoiler **\$687⁹⁹**

Add flexibility to your fiberglass with ACI's E-Zee Fit components. By using special resins during the curing process, ACI has created parts that are more flexible than original, and most replacement, fiberglass. You'll find them easier to install and they have better resistance to minor bumps. Look for "E-Zee Fit" on available items in this section.

= Shipped by truck freight.



WARNING: Cancer and Reproductive Harm - www.P65Warnings.ca.gov





1991-1996 C5 STYLE REAR BUMPER W/ SPOILER

This C5 Style Rear Bumper has a subtle rear spoiler and utilizes the oval C5 taillights. C5 taillights, third brake light and back-up lights are available separately.

35117 91-96 Rear Bumper - C5 Style w/ Spoiler **\$687⁹⁹**



1984-1996 Hood

Smooth, seam-free inner retainer panel provides a high-quality finish and easy prep for painting.

28551 84 Hood - Reproduction..... **\$1699⁹⁹**

1838 85-96 Hood..... **\$1699⁹⁹**

Note: Use of Hood #1838 on 1985-1991 Corvettes requires #24067 Hood Support.



1984-1996 NACA HOOD SCOOP

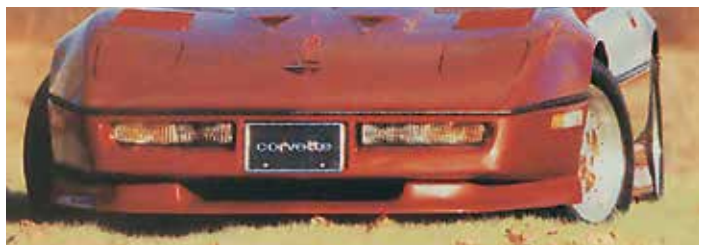
2438 84-96 NACA Hood Scoop **\$423⁹⁹**



1984-1990 AMERICAN GROUND EFFECTS

Phase II Side Skirts give you brand new styling from the ground up. The four-piece kit includes flared rocker panels and rear trim panels.

2185 84-90 Phase II Ground Effects Kit **\$832⁹⁹**



1984-1990 PHASE II FRONT SPOILER

Mounts on your stock 1984-90 front bumper.

2502 84-90 Phase II Front Spoiler **\$319⁹⁹**

41074 84-90 Phase II Front Spoiler - E-Zee Fit..... **\$329⁹⁹**



#X2580 1985-1990
Front Spoiler. 3 Pc. Set

1984-1990 FRONT SPOILERS

X2580 85-90 Front Spoiler - 3 Piece Kit - 85L w/ Z51 - **BEST VALUE!** **\$50⁹⁹**

24002 84-85 Front Spoiler - Center - 85E - 2 1/4" high **\$70⁹⁹**

24000 84-85 Front Spoiler - LH - 85E - 3 1/2" high..... **\$75⁹⁹**

24001 84-85 Front Spoiler - RH - 85E - 3 1/2" high **\$59⁹⁹**

24005 85-90 Front Spoiler - Center - 85L - 3" high..... **\$24⁹⁹**

24003 85-90 Front Spoiler - LH - 85L - 4 1/4" high..... **\$24⁹⁹**

24004 85-90 Front Spoiler - RH - 85L - 4 1/4" high..... **\$24⁹⁹**

41788 84-90 Front Spoiler Mounting Kit - 26 pc set **\$13⁹⁹**

24012 84-96 Front Spoiler Retainer - Center **\$21⁹⁹**

24009 84-90 Front Spoiler Retainer - LH or RH..... **\$21⁹⁹**

24011 84-90 Front Spoiler Retainer - Upper..... **\$22⁹⁹**

24013 91-96 Front Spoiler Retainer Kit - 3 pc..... **\$62⁹⁹**

K1522 84-90 Front Spoiler Retainer Mounting Kit..... **\$16⁹⁹**



#X2005 1991-1996
Front Spoiler. 3 Pc. Set

1991-1996 FRONT SPOILERS

X2005 91-96 Front Spoiler - 3 Piece Kit - **BEST VALUE!** **\$50⁹⁹**

24006 91-96 Front Spoiler - LH..... **\$26⁹⁹**

24007 91-96 Front Spoiler - RH **\$26⁹⁹**

24008 91-96 Front Spoiler - Center..... **\$30⁹⁹**

K1518 91-96 Front Spoiler Mounting Kit - 20 pc..... **\$10⁹⁹**

24012 84-96 Front Spoiler Retainer - Center **\$21⁹⁹**

24010 91-96 Front Spoiler Retainer - LH or RH..... **\$22⁹⁹**

24013 84-96 Front Spoiler Retainer Kit - 3 pc..... **\$62⁹⁹**

K1519 91-96 Front Spoiler Retainer Mounting Kit - 3 pc **\$8⁹⁹**





1984-1990 COLLECTOR SERIES REAR WING

The Collector Series - best-selling C4 rear wing! Measures 6" high.

2186 84-90 Collector Series Rear Wing..... **\$386⁹⁹**



1984-1990 AEROTECH REAR WING & REAR WRAP

2327 84-90 AeroTech Rear Wing - 7" High **\$386⁹⁹**



1984-1996 STREET STYLE REAR WING

2427 84-90 Street Style Rear Wing - 4 1/2" high **\$386⁹⁹**

20511 91-96 Street Style Rear Wing - 4 1/2" high..... **\$386⁹⁹**



1984-1996 DESIGNER SERIES REAR WING

2430 84-90 Designer Series Rear Wing - 3" high **\$300⁹⁹**

20510 91-96 Designer Series Rear Wing - 3" high **\$300⁹⁹**



1984-1996

Corvette

PARTS



1984-1996

Corvette

INTERIORS



1984-1996

Corvette

ACCESSORIES



1984-1996

Corvette

WHEELS

Call or go online today to see a complete product line and to place your order!



WARNING: Cancer and Reproductive Harm - www.P65Warnings.ca.gov

(833) 4TopFlight | TopFlightAutomotive.com





#52428 1989-1996
Gas Tank Kit



#52405 1984
Gas Tank Sending Unit



#30505 1989-1996
Gas Tank Meter/Sender
Strainer

1984-1996 GAS TANK KITS

These 1984-1996 Gas Tank Kits include the Gas Tank, Straps, Sending Unit, Sending Unit Lock Ring, Retaining Cam, Filler Neck Boot, Filler Neck Screw Set and Filler Neck Cork Gasket.

52425	84	Gas Tank Kit	\$469⁹⁹
52426	85-87	Gas Tank Kit	\$469⁹⁹
52427	88	Gas Tank Kit	\$469⁹⁹
52428	89-96	Gas Tank Kit	\$469⁹⁹



#43305 1984-1996
Gas Tank

1984-1996 FUEL SYSTEM

29446	84-96	Gas Cap	\$15⁹⁹
25497	84-96	Gas Cap - Locking	\$22⁹⁹
51154	84-96	Gas Cap - Replacement	\$6⁹⁹
X2263	84-96	Gas Filler Neck Boot - Rubber	\$22⁹⁹
28411	84-96	Gas Filler Neck Overflow Hose Nipple	\$3⁹⁹
24076	86-96	Gas Tank Door - Convertible	\$364⁹⁹
30514	84-96	Gas Lid Door Bezel to Body Screw Set	\$4⁹⁹
30513	84-96	Gas Lid Door Bezel to Body Seal	\$6⁹⁹
30515	84-96	Gas Lid Door Bumper - Rear	\$5⁹⁹
24077	84-89	Gas Lid Door Spring Kit - Includes: LH & RH SS Springs plus instructions	\$18⁹⁹
39471	95-96	Gas Lid Neck Bezel / Hinge Assembly - 95 ZR1 & 96 LT4 Coupe	\$121⁹⁹
39472	96	Gas Lid Neck Bezel / Hinge Assembly - Conv.	\$212⁹⁹
43305	84-96	Gas Tank	\$239⁹⁹
30504	84-88	Gas Tank Meter / Sender Strainer	\$13⁹⁹
30505	89-96	Gas Tank Meter / Sender Strainer	\$41⁹⁹
30506	84-96	Gas Tank Sender / Neck Gasket - Rubber	\$17⁹⁹

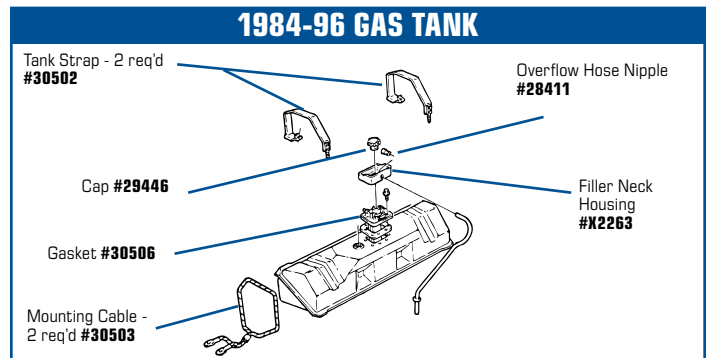
30502	84-96	Gas Tank Strap - 2 req'd	\$39⁹⁹
52405	84	Gas Tank Sending Unit	\$133⁹⁹
52406	85-87	Gas Tank Sending Unit	\$129⁹⁹
52407	88	Gas Tank Sending Unit	\$133⁹⁹
52408	89-96	Gas Tank Sending Unit	\$133⁹⁹

1984-1996 FUEL LINES

57537	84	Carburetor Fuel Line - OE	\$39⁹⁹
57538	84	Carburetor Fuel Line - SS	\$49⁹⁹
57539	84	Fuel Supply Line - OE	\$99⁹⁹
57540	84	Fuel Supply Line - SS	\$119⁹⁹
57541	87	Fuel Supply Line - OE	\$99⁹⁹
57542	87	Fuel Supply Line - SS	\$119⁹⁹
57543	87	Fuel Rail Feed Line - OE	\$99⁹⁹
57544	87	Fuel Rail Feed Line - SS	\$119⁹⁹
57545	89-90	Fuel Supply Line - OE	\$99⁹⁹
57546	89-90	Fuel Supply Line - SS	\$119⁹⁹
57547	92-96	Fuel Supply Line - OE	\$99⁹⁹
57548	92-96	Fuel Supply Line - SS	\$119⁹⁹
57549	89	Fuel Supply Line - OE	\$99⁹⁹
57550	89	Fuel Supply Line - SS	\$119⁹⁹
57551	84	Fuel Supply Line, Throttle Body - OE	\$99⁹⁹
57552	84	Fuel Supply Line, Throttle Body - SS	\$119⁹⁹
57553	84	Fuel Supply Line 2 pc. Set - OE	\$99⁹⁹
57554	84	Fuel Supply Line 2 pc. Set - SS	\$119⁹⁹
57555	85-87	Fuel Supply Line 2 pc. Set - OE	\$99⁹⁹
57556	85-87	Fuel Supply Line 2 pc. Set - SS	\$119⁹⁹
57557	88-91	Fuel Supply Line 2 pc. Set - OE	\$99⁹⁹
57558	88-91	Fuel Supply Line 2 pc. Set - SS	\$119⁹⁹

1984-1996 FUEL RETURN LINES

57567	84	Fuel Return Line - OE	\$39⁹⁹
57577	84	Throttle Body Return Line - OE	\$89⁹⁹



57582	84	Fuel Return Line 2 pc. - OE	\$89 ⁹⁹
57592	84	Fuel Vapor Line - OE	\$49 ⁹⁹
57568	84	Fuel Return Line - SS	\$49 ⁹⁹
57578	84	Throttle Body Return Line - SS	\$99 ⁹⁹
57583	84	Fuel Return Line 2 pc. - SS	\$99 ⁹⁹
57593	84	Fuel Vapor Line - SS	\$59 ⁹⁹
57579	85	Fuel Return Line, Cross Fire Inj. 5/16" - SS	\$99 ⁹⁹
57584	85-87	Fuel Return Line 2 pc. - OE	\$109 ⁹⁹
57585	85-87	Fuel Return Line 2 pc. - SS	\$139 ⁹⁹
57580	86	Fuel Return Line - OE	\$89 ⁹⁹
57594	86	Fuel Vapor Line - OE	\$89 ⁹⁹
57581	86	Fuel Return Line - SS	\$99 ⁹⁹
57595	86	Fuel Vapor Line - SS	\$99 ⁹⁹
57575	87	Fuel Return Line - OE	\$89 ⁹⁹
57576	87	Fuel Return Line - SS	\$99 ⁹⁹
57565	87-91	Fuel Vent Line - OE	\$85 ⁹⁹
57566	87-91	Fuel Vent Line - SS	\$99 ⁹⁹
57586	88-91	Fuel Return Line, 2 pc. L98 Motor - OE	\$169 ⁹⁹
57587	88-91	Fuel Return Line, 2 pc. L98 Motor - SS	\$189 ⁹⁹
57569	89-90	Fuel Return Line - OE	\$99 ⁹⁹
57573	89-90	Fuel Rail Return Line - OE	\$89 ⁹⁹
57570	89-90	Fuel Return Line - SS	\$109 ⁹⁹
57574	89-90	Fuel Rail Return Line - SS	\$99 ⁰⁰
57571	92	Fuel Return Line - OE	\$99 ⁹⁹
57572	92	Fuel Return Line - SS	\$109 ⁹⁹



#30470 1990-1995
Electric In-Tank Fuel Pump - ZR1

1984-1996 FUEL FILTERS & PUMPS

42600	84	Fuel Pump w/ Sending Unit	\$356 ⁹⁹
42601	85-87	Fuel Pump w/ Sending Unit	\$356 ⁹⁹
30471	84	Fuel Filter - Canister Type - GF-482	\$19 ⁹⁹
30472	85-96	Fuel Filter - Canister Type - GF-652 - Exc ZR1	\$18 ⁹⁹
39474	92-96	Fuel Filter Bracket	\$13 ⁹⁹
0885	84	Fuel Pump	\$123 ⁹⁹
30474	85-87	Fuel Pump - Electric in Tank - Exc ZR1	\$101 ⁹⁹
30476	88-91	Fuel Pump - Electric in Tank - Exc ZR1	\$104 ⁹⁹
50068	90-91	Fuel Pump - Electric	\$99 ⁹⁹
30470	90-95	Fuel Pump - Electric in Tank - ZR1	\$70 ⁹⁹
30477	92-96	Fuel Pump - Electric in Tank - LT1	\$65 ⁹⁹
30478	84-91	Fuel Pump Block Off Plate on Engine	\$9 ⁹⁹
30479	84-91	Fuel Pump Block Off Plate Gasket	\$6 ⁹⁹
32741	84-91	Fuel Pump Mount Plate Gasket	\$2 ⁹⁹
30482	88-96	Fuel Pump Pulsator/Dampener	\$36 ⁹⁹
50689	84-87	Fuel Pump Relay 87E	\$27 ⁹⁹
50793	87-92	Fuel Pump Relay 87L	\$21 ⁹⁹
50730	93	Fuel Pump Relay	\$10 ⁹⁹
50728	94-96	Fuel Pump Relay	\$14 ⁹⁹
50039	85-96	Fuel Supply Line O-Ring	\$1 ⁹⁹
34321	91-96	Fuel Vapor Canister	\$101 ⁹⁹
33786	84-96	Fuel Vent/Vapor Canister Air Inlet Filter	\$3 ⁹⁹
50701	85-95	Fuel Vapor Canister Purge Valve	\$54 ⁹⁹
50713	92-95	Fuel Vapor Canister Purge Valve	\$27 ⁹⁹
50712	90-96	Fuel Vapor Canister Purge Solenoid	\$34 ⁹⁹

ACDelco



#50819 1984
Fuel Injector - Rear



#51988 1984-1987
Gas Pedal Assembly



1984-1996 FUEL INJECTORS, PRESSURE REGULATORS & RELATED

50818	84	Fuel Injector - Front	\$161 ⁹⁹
50819	84	Fuel Injector - Rear	\$230 ⁹⁹
50789	85-88	Fuel Injector - Lucas style	\$106 ⁹⁹
50788	86-88	Fuel Injector - Bosch style	\$132 ⁹⁹
50792	85-91	Fuel Injector Gasket Kit	\$4 ⁹⁹
50790	85-95	Fuel Injector Seal Kit	\$30 ⁹⁹
3291	85-91	Adjustable Fuel Pressure Regulator	\$91 ⁹⁹
50703	86-91	Fuel Pressure Regulator	\$132 ⁹⁹
50717	92-96	Fuel Pressure Regulator - Exc ZR1	\$69 ⁹⁹
30463	84	Accelerator Cable	\$91 ⁹⁹
39476	92-96	Accelerator Cable Clip to Fuel Rail Cover	\$3 ⁹⁹
51988	84-87	Gas Pedal Assembly	\$79 ⁹⁹
30487	85-91	Throttle Body to Plenum Gasket - Exc ZR1	\$36 ⁹⁹
39489	94	Throttle Body Gasket Kit - LT1	\$32 ⁹⁹
39490	95-96	Throttle Body Gasket Kit - LT1 & LT4	\$39 ⁹⁹
42640	92-96	Throttle Bypass Kit	\$28 ⁹⁹
30632	85-88	Trans Throttle Control Cable - Auto	\$30 ⁹⁹
30633	89-91	Trans Throttle Control Cable - Auto	\$57 ⁹⁹

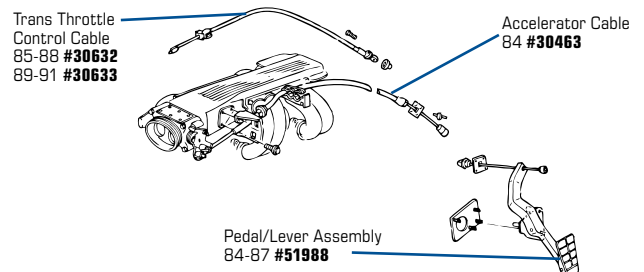
1984-1996 GAS GUARDS

Protect your car from scratches with this easy-to-install Gas Guard! Simply install the fuel-resistant black guard over the filler neck and fold over the cap when closed!



41880	84-96	Gas Guard	\$7 ⁹⁹
-------	-------	-----------	-------------------

1984-93 THROTTLE CABLE



WARNING: Cancer and Reproductive Harm - www.P65Warnings.ca.gov

(833) 4TopFlight | TopFlightAutomotive.com



PREMIUM FLANNEL HARDTOP COVER

A flannel hardtop cover protects the inside & outside of your hardtop like a security blanket during storage. Cover simply drapes over hardtop to provide protection and easy use.

26588 86-96 Premium Flannel Hardtop Cover **\$30⁹⁹**



#28618 1989-1996 Hard Top Mounting Brackets

1984-1996 HARDTOP HARDWARE & RELATED

28618 89-96 Hardtop Mounting Brackets **\$117⁹⁹**
28625 89-96 Hardtop Bolt & Washer Kit **\$24⁹⁹**
49112 89-96 Roof Latch Trim Plate **\$26⁹⁹**

1984-1996 ROOF PANEL/HARDTOP STORAGE CART

Safely and easily store your roof panel with this sturdy aluminum cart. Padded contact points offer stable and safe support and four swivel casters make it easy to move. Use with a Hardtop Storage Cover for combined storage, mobility and protection!

Some assembly required. Instructions included.

51000 Hardtop/Roof Panel Storage Cart..... **\$164⁹⁹**



HATCH



#52246 1984-1996 Rear Hatch Window Bumper 6 pc. Set



#34331 1990-1996 Rear Hatch Strut - RH w/ Defogger

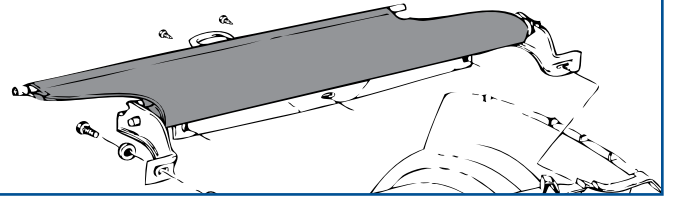
1984-1996 REAR HATCH

34328 84-96 Rear Hatch Hinge Bushing..... **\$18⁹⁹**
34337 84-96 Rear Hatch Latch Striker Bolt **\$6⁹⁹**
34335 84-96 Rear Hatch Latch Striker Nut..... **\$31⁹⁹**
34336 84-96 Rear Hatch Latch Striker Spacer..... **\$27⁹⁹**
34340 84-90 Rear Hatch Release Relay..... **\$16⁹⁹**
34341 90-96 Rear Hatch Release Relay..... **\$43⁹⁹**
34330 84-96 Rear Hatch Strut - LH w/ Defogger..... **\$93⁹⁹**
34331 84-96 Rear Hatch Strut - RH w/ Defogger **\$93⁹⁹**

51260 84-96 Rear Hatch Strut - LH or RH - Replacement..... **\$37⁹⁹**
34342 84-96 Rear Hatch Window Bumper - ea - Replacement..... **\$4⁹⁹**
52246 84-96 Rear Hatch Window Bumpers - 6 pc - Replacement **\$18⁹⁹**
39491 96 Rear Hatch Window Bumper..... **\$7⁹⁹**
29812 84-96 Rear Hatch Window Drain Kit..... **\$15⁹⁹**

1984-96 REAR PACKAGE SHADE CURTAIN

Rear Package Shade Curtain - Black
84-96 **#43711**



1984-1996 REAR PACKAGE SHADE CURTAIN

CA's Rear Package Shade Curtain for C4 Corvettes is made to fit just like the original curtain. It is correctly stitched and includes the sewn-in welt at the rear edge for installation in the winding mechanism. This curtain is available in black only and it mounts to your original winding mechanism, rod and handle.

43711 84-96 Rear Package Shade Curtain **\$61⁹⁹**



1984-1996 SHADE CURTAIN CLIPS

Plastic Retainer Clips hold your shade curtain firmly in place and help eliminate rattles and squeaks. Install in minutes.

23228 84-96 Shade Curtain Clips - Reproduction - pr **\$8⁹⁹**
52259 84-96 Curtain Clips - Aftermarket Style - pr **\$14⁹⁹**

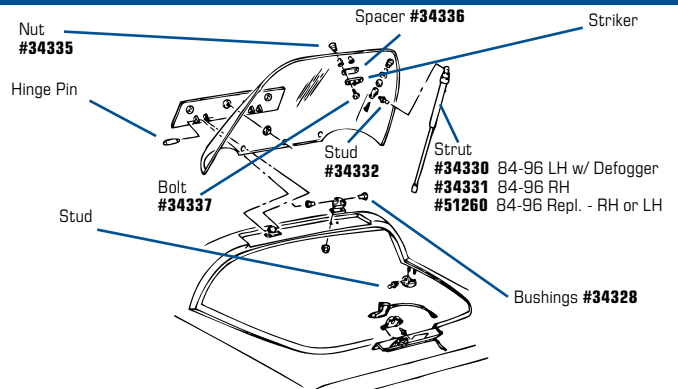
1984-1996 REAR HATCH VENT

The Rear Hatch Vent is a small, yet very effective device that raises the rear window 1 1/2" to reduce interior temperatures by up to 10 degrees when parked and to reduce cockpit turbulence when driving! Installs in minutes with no modifications. Will not affect stock alarm system or interior lights.



23220 84-96 Rear Hatch Vent **\$34⁹⁹**

1984-96 REAR HATCH



#35584 1985
Heater Control Valve
w/o Nipple



#39517 1992-1996
Heater Water Flow Control Valve



#39507 1985-1987
Heater Hose Outlet -
w/Engine Oil Cooler



#34348 1990-1991
Heater/Air Conditioning Control

1984-1996 HEATER & AC

34348	90-91	Heater / AC Control - Coupe, Conv. w/ Hardtop	\$496 ⁹⁹
39498	92-93	Heater / AC Control - Electronic - (Coupe w/ Electronic AC, Convertible w/ Electronic AC & w/ Hardtop)	\$397 ⁹⁹
40530	84-89	Heater Control Cable - Under Dash - Manual	\$55 ⁹⁹
35584	85	Heater Control Valve w/o Nipple	\$139 ⁹⁹
35585	86-87	Heater Control Valve w/ Nipple	\$139 ⁹⁹
30527	84-96	Heater Core	\$142 ⁹⁹
50899	84	Heater Hose - Short (Cut-To-Fit)	\$7 ⁹⁹
50900	84	Heater Hose - Long (Cut-To-Fit)	\$12 ⁹⁹
39510	85-91	Heater Hose - Throttle Body to Manifold - Exc 87	\$10 ⁹⁹
28866	85-91	Heater Hose - Oil Cooler to Metal Line - KC4 Oil Cooler Option	\$22 ⁹⁹
28867	88-89	Heater Hose - Heater Core to Water Pump	\$180 ⁹⁹
50898	90-91	Heater Hose - Heater to Throttle Body	\$13 ⁹⁹
50906	92-96	Heater Hose - Heater to Reservoir	\$15 ⁹⁹
39513	93-94	Heater Hose - Outlet Water Pump to Tee - LT1	\$22 ⁹⁹
50904	93-94	Heater Hose - Throttle Body to Engine - LT1	\$17 ⁹⁹
50905	93-96	Heater Hose - Valve to Engine - LT1 & LT4	\$26 ⁹⁹
39505	93-96	Heater Inlet Hose - LT1 & LT4	\$75 ⁹⁹
39507	85-87	Heater Outlet Hose - w/ Engine Oil Cooler	\$70 ⁹⁹
39512	93-94	Heater Outlet Hose - LT1 - Surge Tank to Tee	\$13 ⁹⁹
39514	93-94	Heater Outlet Hose - LT1 - Throttle Body to Tee	\$7 ⁹⁹
39515	95	Heater Outlet Hose - LT1	\$39 ⁹⁹
39516	84-91	Heater Water Flow Control Valve - Exc ZR1	\$21 ⁹⁹
39517	92-96	Heater Water Flow Control Valve - LT1 & LT4	\$35 ⁹⁹
50744	90-91	Heater Water Shut-off Valve	\$223 ⁹⁹
50742	92-96	Heater Water Shut-off Valve - ZR1	\$159 ⁹⁹
50071	92-96	Temperature Valve Actuator	\$124 ⁹⁹
39196	85-89	Throttle Body Heater Hose	\$11 ⁹⁹
39195	92-94	Throttle Body Heater Inlet Hose - LT1	\$15 ⁹⁹
39197	95-96	Throttle Body Heater Inlet Hose	\$12 ⁹⁹



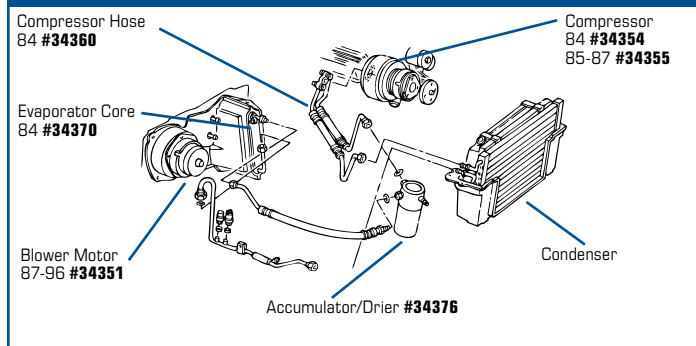
#34376 1984-1987
Accumulator/Drier



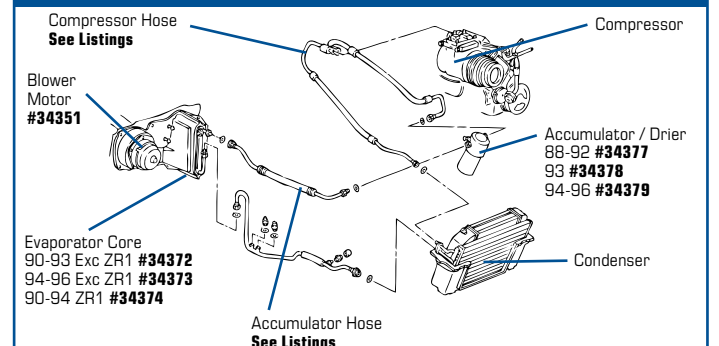
#34356 1988-1991
Compressor - Less Clutch

34376	84-87	Accumulator/Drier	\$39 ⁹⁹
34377	88-92	Accumulator / Drier	\$36 ⁹⁹
34378	93	Accumulator / Drier	\$40 ⁹⁹
34379	94-96	Accumulator / Drier	\$47 ⁹⁹
39518	90-92	Accumulator Hose - ZR1	\$54 ⁹⁹
39523	94-96	Accumulator Hose - LT1 & LT4	\$101 ⁹⁹
50098	84-96	Air Conditioning Orifice w/ Gasket	\$7 ⁹⁹
39269	91-96	Air Conditioning Side Vent	\$13 ⁹⁹
51404	84-96	Air Conditioning Valve	\$9 ⁹⁹
51004	84-96	Air Conditioning Valve	\$14 ⁹⁹
34354	84	Compressor - R4 - Remanufactured	\$305 ⁹⁹
34355	85-87	Compressor - R4 - Remanufactured	\$267 ⁹⁹
34356	88-91	Compressor - Less Clutch	\$550 ⁹⁹
51209	88-96	Compressor - R4 - New with Remanufactured Clutch	\$713 ⁹⁹
34357	88-89	Compressor Clutch - Exc ZR1	\$325 ⁹⁹
34358	90-91	Compressor Clutch - Exc ZR1	\$419 ⁹⁹
39531	90	Compressor Clutch - ZR1	\$362 ⁹⁹
39529	92-96	Compressor Clutch Kit - LT1 & LT4	\$434 ⁹⁹
50688	84-88	Compressor Control Relay	\$17 ⁹⁹
50725	93-96	Compressor Control Relay	\$14 ⁹⁹
51280	84	Compressor Cycling Switch - Replacement	\$36 ⁹⁹

1984-87 AIR CONDITIONING



1988-96 AIR CONDITIONING



WARNING: Cancer and Reproductive Harm -
www.P65Warnings.ca.gov





#34368 1990-1993
Air Conditioner Condenser



#34351 1987-1996
Heater/Air Conditioner
Blower Motor & Wheel



#34373 1994-1996
Evaporator Core - Except ZR1



#51209 1988-1996
Compressor. New R4 with
Remanufactured Clutch



#34352 1984-1987
Blower Motor Relay



#39526 1994-1996
Compressor Hose Assembly.
LT1 & LT4

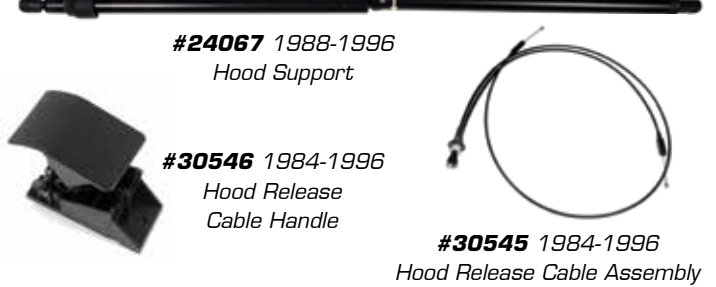
1984-1996 HEATER & AC (CONTINUED)

34360	84	Compressor Hose Assembly	\$195 ⁹⁹
34361	85-87	Compressor Hose Assembly	\$162 ⁹⁹
39524	92	Compressor Hose Assembly - LT1	\$172 ⁹⁹
39526	94-96	Compressor Hose Assembly - LT1 & LT4	\$76 ⁹⁹
39528	94-95	Compressor Hose Assembly - ZR1	\$305 ⁹⁹
34365	84-89	Condenser	\$422 ⁹⁹
34366	86-89	Condenser - Exc 88 - Aluminum	\$427 ⁹⁹
34367	88	Condenser	\$310 ⁹⁹
34368	90-93	Condenser	\$402 ⁹⁹
34372	90-93	Evaporator Core - Exc ZR1	\$240 ⁹⁹
34373	94-96	Evaporator Core - Exc ZR1	\$274 ⁹⁹
34374	90-93	Evaporator Core - ZR1	\$264 ⁹⁹
34375	84-96	Evaporator Refrigerant Orifice	\$4 ⁹⁹
33877	84-86	Heater/AC Blower Motor - w/ AC	\$49 ⁹⁹
37955	84-86	Heater/AC Blower Motor - w/ Fan	\$67 ⁹⁹
34351	87-96	Heater/AC Blower Motor and Wheel	\$71 ⁹⁹
34352	84-87	Heater/AC Blower Motor Relay	\$18 ⁹⁹
34353	88-96	Heater/AC Blower Motor Relay	\$21 ⁹⁹
34363	84	Suction Hose - Evaporator Out to Accumulator	\$91 ⁹⁹
34322	85-87	Suction Hose - Evaporator Out to Accumulator	\$91 ⁹⁹
34324	89	Suction Hose - Evaporator Out to Accumulator	\$201 ⁹⁹

1984-1996 COWL VENT AIR FILTER

Keep dust and debris from entering your cockpit through the ventilation system. This precut foam filter installs directly over the cowl area beneath your Corvette's hood to block dirt, dust and debris.

22595	84-96	Cowl Vent Air Filter	\$13 ⁹⁹
--------------	-------	----------------------	--------------------

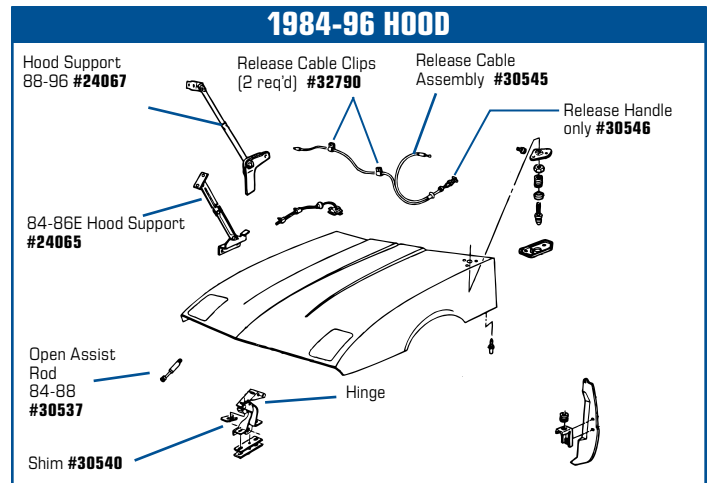


#24067 1988-1996
Hood Support

#30546 1984-1996
Hood Release
Cable Handle

#30545 1984-1996
Hood Release Cable Assembly

34345	84-96	Emergency Hood Opening Tool	\$19 ⁹⁹
30548	85-96	Hood Bumper - Front	\$4 ⁹⁹
30550	89-96	Hood Bumper - Rear	\$5 ⁹⁹
30540	84-96	Hood Hinge Shim -"U" Shaped	\$6 ⁹⁹
34828	84-96	Hood Latch Bolt Nut	\$15 ⁹⁹
39538	84-96	Hood Latch Bracket - LH	\$31 ⁹⁹
34831	94-96	Hood Latch Pop-Up Spring Retainer	\$43 ⁹⁹
35817	84-93	Hood Latch Striker Grease	\$15 ⁹⁹
30537	84-88	Hood Open Assist Rod	\$24 ⁹⁹
30545	84-96	Hood Release Cable Assembly	\$50 ⁹⁹
30546	84-96	Hood Release Cable Handle Only	\$31 ⁹⁹
32790	86-96	Hood Release Cable Retaining Clip - 2 req'd	\$10 ⁹⁹
24065	84-86	Hood Support - 86E	\$84 ⁹⁹
24067	88-96	Hood Support	\$91 ⁹⁹
24071	88-96	Hood Support Bracket - Upper	\$24 ⁹⁹
20147	84-96	Underhood Lamp Mercury Switch	\$11 ⁹⁹
30556	84-96	Underhood Lamp Lens Glass	\$19 ⁹⁹
1964	84	Underhood On/Off Lamp Harness - 84E	\$5 ⁹⁹



1984-1996 HOOD / DISTRIBUTOR SEAL PAD SETS

The factory started using these hood seal pads on the 1993 ZR-1 and it turned out to be a great improvement. This improvement is now available for your 1984-1996 Corvette. The pad set helps prevent hood vibration and keeps the paint on the rear of your hood from rubbing against the firewall. This easy-to-install set can be attached quickly with self-adhesive backing (included).



41796 84-96 Hood/Distributor Seal Pads 4 pc set **\$29⁹⁹**



AcoustiSHIELD



CORVETTE



1984-1996 ACOUSTI-SHIELD HOOD INSULATION

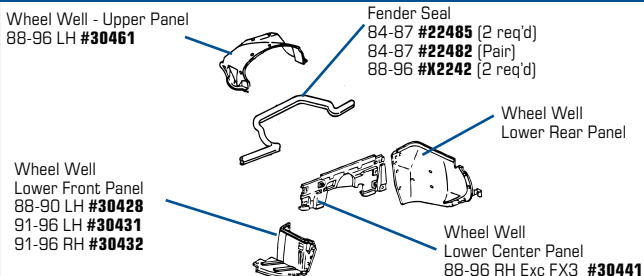
Dress up your engine compartment with these pre-cut and ready-to-install insulation kits, available with or without the Officially GM Licensed logo.

51941 84-91 Hood Insulation - Acousti-Shield **\$180⁹⁹**
51942 84-91 Hood Insulation - Acousti-Shield - w/ logo **\$265⁹⁹**
51946 92-96 Hood Insulation - Acousti-Shield **\$180⁹⁹**
51945 92-96 Hood Insulation - Acousti-Shield - w/ logo **\$265⁹⁹**

1984-1996 WHEEL WELL

22485 84-87 Fender Seal - 2 req'd **\$17⁹⁹**
22482 84-87 Fender Seal - Pair **\$30⁹⁹**
X2242 88-96 Fender Seal - 2 req'd **\$16⁹⁹**
28542 84-87 Wheel Well Panel - Lower Front - LH **\$184⁹⁹**
28543 84-87 Wheel Well Panel - Lower Front - RH **\$184⁹⁹**
30428 88-90 Wheel Well Panel - Lower Front - LH **\$193⁹⁹**
30441 88-96 Wheel Well Panel - Lower Center - RH - Exc FX3 **\$132⁹⁹**
28544 88-90 Wheel Well Panel - Lower Front - LH **\$184⁹⁹**
28545 88-90 Wheel Well Panel - Lower Front - RH **\$194⁹⁹**
30431 91-96 Wheel Well Panel - Lower Front - LH **\$195⁹⁹**
30432 91-96 Wheel Well Panel - Lower Front - RH **\$195⁹⁹**
39542 84-88 Wheel Well Panel Support - Upper - RH **\$40⁹⁹**

1984-96 WHEEL WELL



LIGHTS & LENSES



#5253 1984-1996 Headlight Capsule



#34386 1984-1996 Headlight Ring



#5263 1984-1996 Headlight Door Bezel - RH

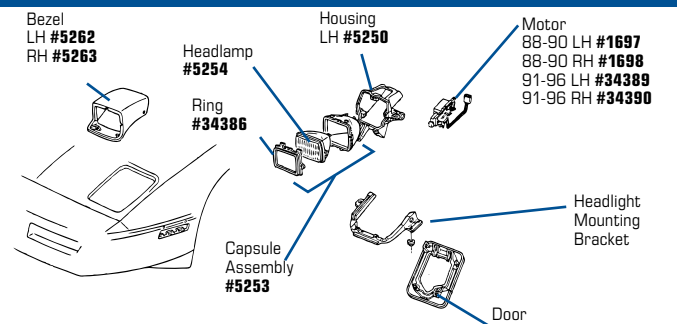


#25384 1991-1996 Side Marker Light - LF

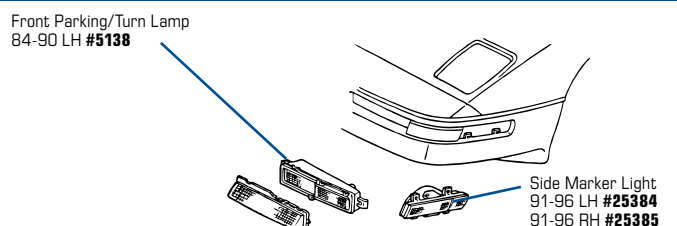
1984-1996 LIGHTS & LENSES

34388 84-96 Headlight Adjusting Spring **\$3⁹⁹**
39543 84-96 Headlight Bulb Retaining Cup **\$67⁹⁹**
5253 84-96 Headlight Capsule - Includes: Bezel, Sealed Beam, Bucket & Retaining Nut **\$73⁹⁹**
5262 84-96 Headlight Door Bezel - LH **\$95⁹⁹**
5263 84-96 Headlight Door Bezel - RH **\$97⁹⁹**
5264 84-96 Headlight Bezel Mounting Kit **\$12⁹⁹**
49915 85-88 Headlight Housing Actuator Isolation Relay **\$23⁹⁹**
5254 84-96 Headlight - Sealed Beam **\$19⁹⁹**
30143 84-96 Headlight Bulb - High Beam **\$4⁹⁹**
30144 84-96 Headlight Bulb - High/Low Beam **\$4⁹⁹**
34386 84-96 Headlight Ring **\$50⁹⁹**
25784 88-96 Light Bulb Socket - Side Marker Light **\$15⁹⁹**
50871 84-96 Vacuum Storage Can **\$18⁹⁹**
25384 91-96 Side Marker Light - LF **\$219⁹⁹**
25385 91-96 Side Marker Light - RF **\$203⁹⁹**

1984-96 HEADLIGHT



1984-96 FRONT LAMPS



WARNING: Cancer and Reproductive Harm -
www.P65Warnings.ca.gov

(833) 4TopFlight | TopFlightAutomotive.com





#1697 1988-1990
Headlight Motor - LH

1984-1996 HEADLIGHT MOTORS

51924	84-87	Headlight Motor - LH	\$274 ⁹⁹
51925	84-87	Headlight Motor - RH	\$274 ⁹⁹
1697	88-90	Headlight Motor - LH	\$274 ⁹⁹
1698	88-90	Headlight Motor - RH	\$309 ⁹⁹
34389	91-96	Headlight Motor - LH	\$274 ⁹⁹
34390	91-96	Headlight Motor - RH	\$274 ⁹⁹
43736	84-87	Headlight Motor Repair Harness	\$30 ⁹⁹
43737	88-96	Headlight Motor Repair Harness - Flat Connectors	\$30 ⁹⁹
43738	88-96	Headlight Motor Repair Harness - Round Pin Connectors	\$18 ⁹⁹



#9698 1991-1996
Tail Light Replacement Set - 12 pc.

1984-1996 REBUILT HEADLIGHT MOTORS

***Please Note:** Where noted below, purchase of a rebuilt headlight motor requires exchange of an original, rebuildable headlight motor. A core charge (\$175 for '84-'87 and \$70 for '88-'96) will be added to the price of the rebuilt motor and will be refunded upon receipt of an acceptable core.



#37783 1984-1987
Rebuilt Headlight Motor - RH

37788	88-90	Headlight Motor - Rebuilt - LH - (*Core Charge)	\$172 ⁹⁹
37789	88-90	Headlight Motor - Rebuilt - RH - (*Core Charge)	\$172 ⁹⁹
37798	91-96	Headlight Motor - Rebuilt - LH - (*Core Charge)	\$172 ⁹⁹
37799	91-96	Headlight Motor - Rebuilt - RH - (*Core Charge)	\$172 ⁹⁹

HEADLIGHT MOTOR GEARS

Brass gears guaranteed for life!

0751	84-87	Brass - Large - 2 13/16" diam. x 1/2" thick	\$91 ⁹⁹
0752	84-87	Brass - Small - 2 3/8" diam. x 5/8" thick	\$75 ⁹⁹
25391	84-87	Nylon - Large - 2 13/16" diam. x 1/2" thick	\$24 ⁹⁹
X2573	84-87	Nylon - Small - 2 3/8" diam. x 5/8" thick	\$14 ⁹⁹
41884	84-87	Nylon - Gear Set - 1 Large & 1 Small	\$40 ⁹⁹
30553	84-96	Headlight Actuator Control Module - 84-87L with a two-wire actuator	\$789 ⁹⁹
30555	88-96	Headlight Actuator Control Module	\$177 ⁹⁹
25392	88-96	Headlight Motor Gear - Bronze - Incl 3 Pellets	\$60 ⁹⁹
44682	88-96	Headlight Motor Gear - Nylon	\$26 ⁹⁹
37631	88-96	Headlight Motor Gear - Incl 3 Pellets	\$30 ⁹⁹
49535	88-96	Headlight Motor Gear Pellet Set - 3 pc.	\$7 ⁹⁹
30524	84-87	Headlight Actuator Relay - 2 req'd	\$30 ⁹⁹
K1037	84-96	Headlight Adjusting Screw & Nut	\$3 ⁹⁹

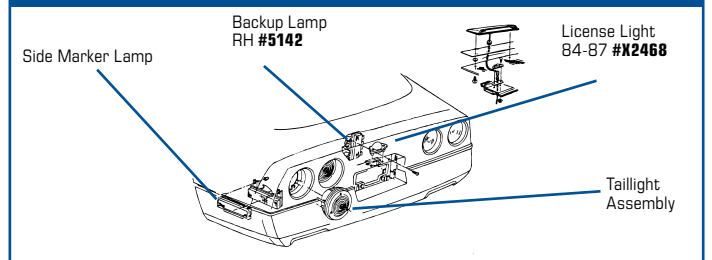


#0752

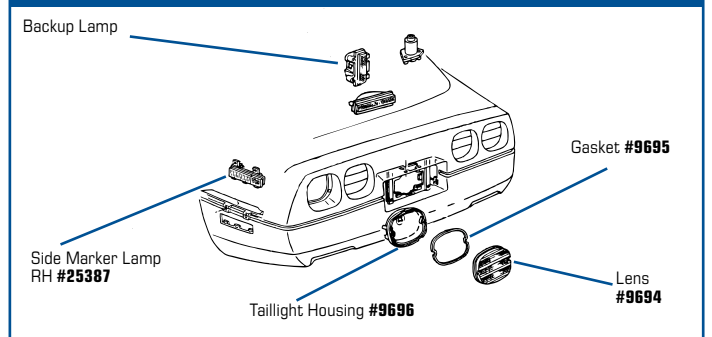
1984-1996 TAILLIGHT

41797	84-96	Back-up Light Bulbs - Halogen - 50 watt - pr.	\$18 ⁹⁹
30566	86-96	Bulb, 3rd Brake Light - 86-96 Coupe, 86-88 Conv.	\$16 ⁹⁹
30567	89-96	Bulb, 3rd Brake Light - Convertible	\$0 ⁹⁹
25785	88-96	Light Bulb Socket - License Plate/Rear Side Marker	\$15 ⁹⁹
45062	90-96	Load Resistors	\$11 ⁹⁹
43817	84-96	Repair Harness - Tail, Stop & Signal	\$11 ⁹⁹
25387	91-96	Side Marker Light - RR	\$100 ⁹⁹
X2468	84-87	Spare Tire & Rear License Light	\$13 ⁹⁹
25777	88-96	Spare Tire & Rear License Light Assy. - Exc ZR1	\$14 ⁹⁹
9696	90-96	Taillight Housing - 4 req'd	\$27 ⁹⁹
9694	90-96	Taillight Lens - 4 req'd	\$27 ⁹⁹
9695	90-96	Taillight Lens Gasket - pr - 2 pr req'd	\$6 ⁹⁹
9697	91-96	Replacement Taillight Lens Set with Gaskets - 8 pc.	\$125 ⁹⁹
9698	91-96	Replacement Taillight Lens Set with Housing & Gaskets - 12 pc.	\$229 ⁹⁹

1984-90 REAR LAMPS



1991-96 REAR LAMPS





#45008 1984-1990
LED Tail Light



#45009 1991-1996
LED Tail Light



1984-1996 LED TAILLIGHTS

45008	84-90 LED Taillight.....	\$54⁹⁹
45009	91-96 LED Taillight.....	\$64⁹⁹
45063	84-96 Polarity Reverser	\$2⁹⁹



1984-1996 STATIC-CLING BLACKOUT KITS

Get easy-on, easy-off convenience and outstanding affordability with a Static Cling Blackout Kit. Special dot-matrix vinyl covers your taillights and your front park/fog lights with what appears to be a solid black cover. But when your lights are on, they can easily be seen! Can be reapplied over and over. Stay put in all driving conditions.

Kit includes: 2 front park/fog light covers and 4 taillight covers.

21571	84-90 Vinyl Blackout Kit - Exc ZR1	\$19⁹⁹
21572	91-96 Vinyl Blackout Kit - & 90 ZR1	\$19⁹⁹



#4871 1984-1990
Taillight Louver Kit



#4903 1991-1996
Taillight Louver Kit

1984-1996 ABS TAILLIGHT LOUVER KITS

Showcase one of your Corvette's most distinctive features with Taillight Louvers. Install as is or paint to match. Kits include four ABS plastic louvers.

4871	84-90 Taillight Louver Kits	\$22⁹⁹
4903	91-96 Taillight Louver Kits	\$35⁹⁹



#52148 1984-1996
Interior Courtesy Light Lens
and Bezel - Coupe LH



#52149 1984-1996
Interior Courtesy Light Lens
and Bezel - Coupe RH



#34223 1984-1996
Courtesy Light - 84-96
LH Underdash & 92-96
Convertible Cargo



#20141 1984-1989
Interior Lamp Delay Timer
By-Pass Board



#20142 1984-1989
Interior Lamp Delay
Timer Circuit Board

1984-1996 INTERIOR LIGHTS & COMPONENTS

52148	84-96 Coupe Interior Courtesy Light Lens & Bezel - LH.....	\$14⁹⁹
52149	84-96 Coupe Interior Courtesy Light Lens & Bezel - RH.....	\$14⁹⁹
34223	84-96 Under Dash Courtesy Light - LH - 92-96 Conv. Cargo ...	\$14⁹⁹

CIRCUIT BOARDS FOR USE WITH GM MODULE 10098435:

20141	84-89 Interior Lamp Delay Timer By-Pass Board	\$45⁹⁹
20142	84-89 Interior Lamp Delay Timer Circuit Board	\$45⁹⁹

CIRCUIT BOARDS FOR USE WITH GM MODULE 14066560 OR 14080625:

20150	84-89 Interior Lamp Delay Timer By-Pass Board	\$45⁹⁹
20151	84-89 Interior Lamp Delay Timer Circuit Board	\$45⁹⁹

ALSO SEE INTERIOR LIGHT BULB KITS ON NEXT PAGE.



WARNING: Cancer and Reproductive Harm -
www.P65Warnings.ca.gov

(833) 4TopFlight | TopFlightAutomotive.com





#52235 1984-1990
Light Bulb Kit - Fog/Driving

#52232 1984-1996
Light Bulb - Underhood



1984-1995 LIGHT BULB KITS - INTERIOR/EXTERIOR

Interior/Exterior Light Bulb Kits include all interior and exterior light bulbs except the headlights.

52214	84-88 Interior/Exterior Kit - Coupe.....	\$113⁹⁹
52215	84-88 Interior/Exterior Kit - Convertible	\$74⁹⁹
52216	89 Interior/Exterior Kit - Coupe.....	\$81⁹⁹
52217	89 Interior/Exterior Kit - Convertible	\$81⁹⁹
52218	90 Interior/Exterior Kit - Coupe.....	\$88⁹⁹
52219	90 Interior/Exterior Kit - Convertible	\$81⁹⁹
52220	91-95 Interior/Exterior Kit - Coupe.....	\$88⁹⁹
52221	91-95 Interior/Exterior Kit - Convertible	\$81⁹⁹

1984-1996 LIGHT BULBS & KITS

52225	84-89 Center Instrument Panel - All - 7 pc.....	\$15⁹⁹
52226	90-95 Center Instrument Panel - All - 15 pc.....	\$21⁹⁹
52231	84-96 Console Lid Light Bulb	\$5⁹⁹
52229	84-89 Dash Turn Signal & High Beam - 3 pc	\$9⁹⁹
52230	90-95 Dash Cluster - 19 pc	\$18⁹⁹
52233	84-88 Exterior Kit.....	\$16⁹⁹
52234	89-95 Exterior Kit.....	\$21⁹⁹
52235	84-90 Fog/Driving Kit.....	\$12⁹⁹
52236	91-96 Fog/Driving Kit.....	\$10⁹⁹
52227	84-88 Gauge Cluster - 4 pc	\$54⁹⁹
52228	89 Gauge Cluster - 4 pc	\$19⁹⁹
52222	84-89 Interior Courtesy - Coupe - 12 pc	\$21⁹⁹
52223	86-89 Interior Courtesy - Convertible - 12 pc.....	\$26⁹⁹
52224	90-95 Interior Courtesy - All - 16 pc.....	\$12⁹⁹
52237	84-96 Third Brake Light Bulb	\$9⁹⁹
52232	84-96 Under Hood Light Bulb.....	\$3⁹⁹

LOCKS



#23834 1984-1996
Console Lock



#23815 1984-1996
Door Locks

1984-1996 Locks

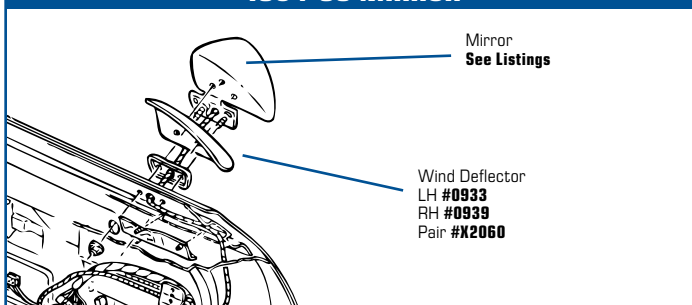
23834	84-96 Console Lock	\$30⁹⁹
23815	84-96 Door Locks - pr.....	\$50⁹⁹
23806	84-85 Ignition Lock	\$29⁹⁹
23807	86-96 Ignition Lock	\$74⁹⁹
50791	84-89 Ignition Lock Repair Kit	\$84⁹⁹
49074	86-04 Security Override System - VATS Code required - Codes 1-15 available	\$35⁹⁹



1984-1996 MIRRORS

46343	84-96 Inside Mirror Glass & Bezel Repair Kit.....	\$35⁹⁹
43248	84-96 Inside Mirror Mounting Screw	\$2⁹⁹
33947	84-88 Inside Mirror Bracket - Attaches to Windshield	\$14⁹⁹
0940	84-86 Inside Mirror.....	\$70⁹⁹
46341	84-87 Inside Mirror Replacement Glass	\$28⁹⁹
34391	84-89 Mirror Glass only - Outside LH	\$19⁹⁹
34392	84-89 Mirror Glass only - Outside RH.....	\$25⁹⁹
0931	84-96 Mirror Wire Retainer - LH Door	\$31⁹⁹
51669	84-96 Outside Mirror Glass Trunion	\$6⁹⁹
39544	84-88 Vanity Mirror - on Sun Visor	\$62⁹⁹

1984-96 MIRROR



1984-1996 MIRROR MASKS

Mirror Masks are made of a stretchy mesh fabric to hug outside mirrors and protect your paint from gravel and bugs. Install and un-install in seconds for easy detailing. A nice complement to black nose masks.



49068	84-96 Mirror Covers pr - Black.....	\$49⁹⁹
--------------	-------------------------------------	--------------------------

1984-1996 WIND DEFLECTORS

Reduce road noise in your 1984-86 Corvette (and 1987-96 Corvettes without factory deflectors). Deflectors provide a sleek appearance while turning noisy air currents away from your window. Black ABS. Install as is or paint to match. Attach with precut adhesive (included). Drill-mounting instructions also included.



X2060	84-96 Wind Deflectors - pr - Aftermarket.....	\$32⁹⁹
0933	86-96 Wind Deflector - Mirror - LH Door - OEM.....	\$120⁹⁹
0939	86-96 Wind Deflector - Mirror - RH Door - OEM	\$95⁹⁹





1984-1996 EXTERIOR TOUCH-UP PAINT

Heal the nicks and seal the scratches. Exterior Touch-Up Paint matches original colors perfectly. Includes a brush for precise application. 1 oz bottle.

84-96 Exterior Touch-Up Paint - each **\$28⁹⁹**

1984-1996 COLORS

44000	84-96	Black.....	Codes 900/AA/19/41
44121	84	Bright Silver Metallic.....	Code 16
44122	84-87	Medium Gray Metallic.....	Code 18
44123	84-85	Light Blue Metallic.....	Code 20
44124	84-85	Medium Blue Metallic.....	Code 23
44125	84	Red.....	Code 33
44126	84-88	White.....	Code 40
44127	84-87	Gold Metallic.....	Code 53
44128	84-85	Light Bronze Metallic.....	Code 63
44129	84-85	Dark Bronze Metallic.....	Code 66
44130	85-88	Silver Metallic.....	Code 13
44131	85	Bright Red.....	Code 81
44132	86-90	Medium Blue Metallic.....	Code 20
44133	86-92	Yellow.....	Code 35
44134	86-87	Silver Beige Metallic.....	Code 59
44135	86-88	Copper / Russet.....	Code 66
44136	86-87	Medium Brown Metallic.....	Code 69
44137	86-88	Dark Red Metallic.....	Code 74
44138	86-92	Bright Red.....	Code 81
44139	88-89	Dark Blue Metallic.....	Code 28
44140	88-89	Gray Metallic.....	Code 90
44141	88-91	Charcoal Metallic.....	Code 96
44142	89-96	White.....	Code 10
44143	89-95	Dark Red Metallic.....	Code 68/75
44144	90-91	Steel Blue Metallic.....	Code 25
44145	90-91	Turquoise Metallic.....	Code 42
44146	90-96	Competition Yellow.....	Code 53
44147	90-93	Quasar Blue Metallic.....	Code 80
44148	90-91	Polo Green Metallic.....	Code 91
44149	92	Medium Green Metallic.....	Code 18
44150	92-96	Bright Aqua Metallic.....	Code 43
44151	92-96	Polo Green Metallic.....	Code 45
44152	92-94	Black Rose Metallic.....	Code 73
44153	93	Ruby Red.....	Code 68
44154	93-96	Torch Red.....	Code 70
44156	94-96	Admiral Blue.....	Code 28
44157	95-96	Dark Purple Metallic.....	Code 05
44158	96	Sebring Silver Metallic.....	Code 13



#30574 1990-1996
Brake Pedal Pad - Manual



#30571 1984-1996
Brake Pedal Pad - Auto



#39073 1992-1996
Brake Pedal - Auto

1984-1996 PEDALS

30571	84-96	Brake Pedal Pad - Automatic.....	\$8⁹⁹
32965	84-96	Brake Pedal Clevis Pin Retainer.....	\$4⁹⁹
39073	92-96	Brake Pedal - Automatic.....	\$35⁹⁹
30574	90-96	Brake Pedal Pad - Manual.....	\$7⁹⁹
39067	84-85	Brake Pedal Pivot Bolt.....	\$1⁹⁹
39068	86-96	Brake Pedal Pivot Bolt.....	\$1⁹⁹
39069	84-96	Brake Pedal Pivot Bolt Nut.....	\$1⁹⁹
30573	84-89	Brake/Clutch Pedal Pad - Manual.....	\$7⁹⁹
50936	84-96	Brake/Clutch Pedal Pivot Bushings - pr.....	\$4⁹⁹
51446	84-96	Brake/Clutch Pedal Pivot Bushings - 4-pc.....	\$6⁹⁹
30572	90-96	Clutch Pedal Pad.....	\$7⁹⁹
51988	84-87	Gas Pedal Assembly.....	\$79⁹⁹

RADIO, SPEAKERS & ANTENNA



#2234 1984-1989
Front Speakers

50690	84-89	Amplifier Relay.....	\$16⁹⁹
39593	90-96	Speaker - Door - Coupe - RH w/ 6-Way speaker - UXD.....	\$203⁹⁹
2234	84-89	Speakers - w/o Bose.....	\$45⁹⁹
25830	84-89	Speaker Lead Wires.....	\$13⁹⁹
39626	90-96	Rear Speaker Housing - Coupe - LH.....	\$52⁹⁹
39627	90-96	Rear Speaker Housing - Coupe - RH.....	\$52⁹⁹
43630	84-87	Speaker Grille - Coupe - LR - w/o Bose.....	\$35⁹⁹
43631	84-87	Speaker Grille - Coupe - RR - w/o Bose.....	\$35⁹⁹
30588	84-87	Speaker Grille - Rear - LH - Coupe.....	\$82⁹⁹
30421	84-89	Speaker Grille - Dash - LH - w/o Bose.....	\$60⁹⁹
30422	84-89	Speaker Grille - Dash - RH - w/o Bose.....	\$60⁹⁹
30423	84-89	Speaker Grille - Dash - LH - w/ Bose.....	\$60⁹⁹
30424	84-89	Speaker Grille - Dash - RH - w/ Bose.....	\$60⁹⁹

1984-96 AUDIO

Grille Nameplate w/ Bose #34631 Gold

Rear Speaker Grille See Listings

Door Speaker Grille See Listings

Grilles See Listings

Door Speaker / Amp w/ Bose - See Listings



WARNING: Cancer and Reproductive Harm - www.P65Warnings.ca.gov



RADIO, SPEAKERS & ANTENNA (CONT'D)

43632	84-89	Speaker Grille - Door - w/o Bose.....	\$35⁹⁹
39589	92-93	Speaker Grille - Door - Gray - RH.....	\$21⁹⁹
39577	92-93	Speaker Grille - Rear - Conv - Beige - 2 req'd.....	\$36⁹⁹
39599	94-96	Speaker Grille - Rear - Conv - Gray - 2 req'd.....	\$31⁹⁹
39609	94-96	Speaker Grille - Door - Beige - RH.....	\$34⁹⁹
39611	94-96	Speaker Grille - Door - Gray - RH.....	\$34⁹⁹
K1164	84-96	Rear Speaker Grille Screws - 8 pc.....	\$3⁹⁹
K1183	84-93	Door Speaker Grille Screws - 8 pc.....	\$4⁹⁹

#33960 1984-1987
Power Antenna w/o CB



#39555 1990-1995
Power Antenna Noise Suppression Shield



#51453 1984-1987
Power Antenna Mast Repair Kit



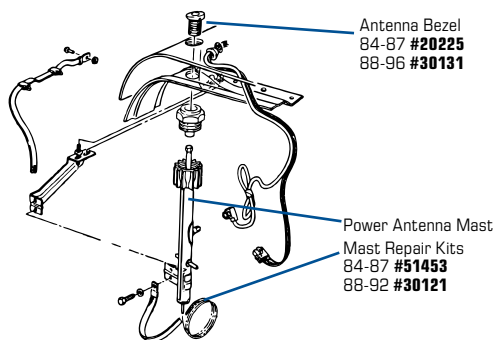
Front USB and AUX Input provides easy connection of your compatible USB-enabled devices, including iPhone and iPod devices as well as compatible Mass Storage Class devices like smartphones, USB thumb drives and portable hard drives.



1984-1996 ANTENNA

20225	84-87	Antenna Bezel.....	\$21⁹⁹
30131	88-96	Antenna Bezel - Power Antenna.....	\$9⁹⁹
22111	88-96	Ground Strap - Antenna to Frame.....	\$18⁹⁹
33960	84-87	Power Antenna - w/o CB - Reproduction.....	\$199⁹⁹
51453	84-87	Power Antenna Mast Repair Kit.....	\$33⁹⁹
30121	88-92	Power Antenna Mast Repair Kit.....	\$42⁹⁹
39554	88-96	Power Antenna Noise Suppress. Shield - Exc ZR1.....	\$46⁹⁹
39555	90-95	Power Antenna Noise Suppression Shield - ZR1.....	\$8⁹⁹
30129	84-96	Power Antenna Relay.....	\$27⁹⁹

1984-96 ANTENNA



1984-1996 KENWOOD RADIO & CONVERSION KITS

These Kenwood CD Receivers deliver all the features of a modern stereo system in a package that is ready to drop into your C4 Corvette. They are designed to work with your factory speakers (specify with or without Bose) and include everything you need for a clean installation. Features:

- AM/FM CD Receiver with MP3/WMA playback
- Built-In MOSFET amplifier 22 watts RMS/50 peak x 4 channels
- Remote control
- Plays CD, CD-R and CD-RW with MP3 and WMA files
- 2 Channel preamp outputs (2-volt & switchable to subwoofer mode)
- Front mount AUX IN port
- Front mount USB port
- Bass boost, low-pass filter, subwoofer level control, and phase switch
- Pandora connectivity for iPhone
- Kenwood Music control for Android
- Sound Control (8 EQ curves and a 3-band equalizer)
- Detachable face with 11-digit LCD display and red button illumination

44770	84-89	w/ Bose.....	\$438⁹⁹
44771	84-89	w/o Bose.....	\$438⁹⁹
44772	90-93	w/ Bose.....	\$438⁹⁹
44773	94-96	w/ Bose.....	\$438⁹⁹





#30610 1984-1996
Auto Shift Control Cable



#39640 1993
Automatic Shifter

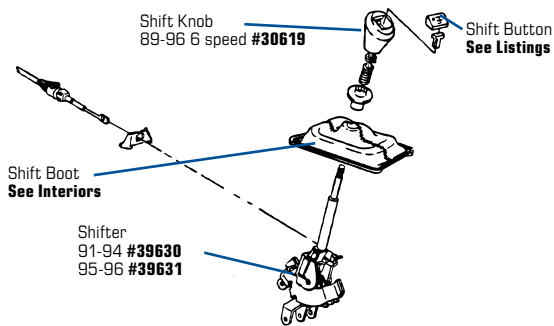
1984-1996 MANUAL SHIFTER

30623	89-96	Shift Boot - Lower - 6-Speed	\$40 ⁹⁹
28439	90-93	Shift Button - 6 Speed	\$19 ⁹⁹
28438	94-96	Shift Button - 6 Speed, Fits 1989	\$19 ⁹⁹
39630	91-94	Shifter - Manual - 6-speed - Rebuilt	\$1122 ⁹⁹
39631	95-96	Shifter - Manual - 6-Speed - Rebuilt	\$1122 ⁹⁹
30619	89-96	Shifter Knob - 6-Speed	\$50 ⁹⁹
41312	84-98	Shifter Reverse Lockout Handle w/ Rod - 4+3	\$239 ⁹⁹

1984-1996 AUTOMATIC SHIFTER

39640	93	Automatic Shifter	\$66 ⁹⁹
33983	84	Auto Trans. Detent Control Cable	\$18 ⁹⁹
51242	85-88	Auto Trans. Detent Control Cable	\$30 ⁹⁹
51229	84-93	Auto Trans. Detent Control Cable Seal	\$1 ⁹⁹
51251	91-96	Auto Trans. Control Solenoid	\$63 ⁹⁹
51253	93-96	Auto Trans. Control Solenoid - Lockup / 3-2 Shift	\$37 ⁹⁹
51243	84-94	Auto Trans. Control Solenoid - Lockup	\$34 ⁹⁹
30610	84-96	Auto Shift Control Cable	\$45 ⁹⁹
51313	84-96	Main Shift Shaft Kit - Short	\$36 ⁹⁹
39639	90-96	Transmission Indicator Pointer - Auto	\$7 ⁹⁹
29949	84-96	Clutch / Brake Pedal Pivot Bushing	\$2 ⁹⁹

1984-96 MANUAL SHIFTER



#52213 1985-1996
Shift Knob Kit - Auto

#X2516 1985-1996
Shift Knob - Auto

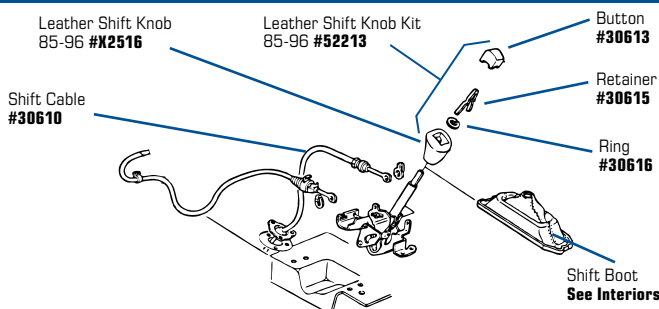


#30615 1984-1996
Shift Knob Button Retainer - Auto

#30613 1984-1996
Shift Knob Button - Auto

#30616 1984-1996
Shift Knob Ring - Auto

1984-96 AUTOMATIC SHIFTER



1984-1996 SHIFT KNOB & BUTTON

28439	90-93	Shift Button - 6 Speed	\$19 ⁹⁹
28438	94-96	Shift Button - 6 Speed, Fits 1989	\$19 ⁹⁹
X2516	85-96	Shifter Knob - Auto - Leather - w/o Button & Retainer - Import	\$40 ⁹⁹
52213	85-96	Shifter Knob Kit - Auto - Leather - includes Button, Retainer & Ring	\$61 ⁹⁹
30619	90-96	Shifter Knob - 6-Speed	\$50 ⁹⁹
30613	84-96	Shifter Knob Button - Automatic	\$13 ⁹⁹
30615	84-96	Shifter Knob Button Retainer - Automatic	\$9 ⁹⁹
30616	84-96	Shifter Knob Ring - Automatic	\$4 ⁹⁹



WARNING: Cancer and Reproductive Harm - www.P65Warnings.ca.gov

(833) 4TopFlight | TopFlightAutomotive.com





#44829 1984-1988
Clutch Kit, 10.75 inch Disk 26 Spline



#30641 1984-1988
Clutch Master Cylinder

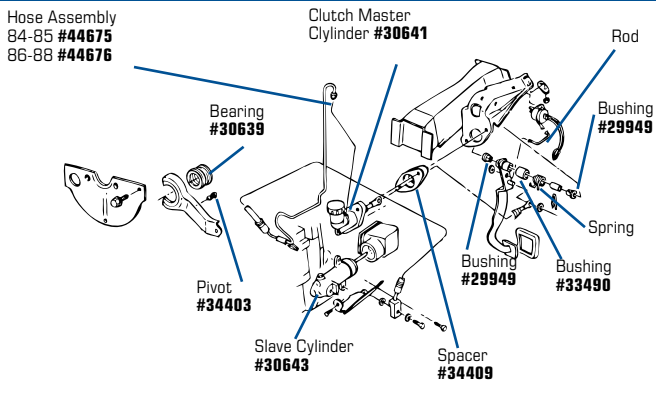


#30643 1984-1988
Clutch Slave Cylinder

1984-1988 CLUTCH

20231	84-88	Clutch Fork 4+3	\$132 ⁹⁹
34403	84-88	Clutch Fork Pivot Stud	\$19 ⁹⁹
44675	84-85	Clutch Hose	\$128 ⁹⁹
44676	86-88	Clutch Hose	\$132 ⁹⁹
44828	84	Clutch Kit - 10.5" 26 Spline	\$142 ⁹⁹
44829	84-88	Clutch Kit - 10.75" 26 Spline	\$223 ⁹⁹
30641	84-88	Clutch Master Cylinder - .038" Diameter	
		Clutch Pedal Bushing	\$70 ⁹⁹
34409	84-96	Clutch Master Cylinder Spacer	\$10 ⁹⁹
33490	84-96	Clutch Pedal Return Spring Bushing	\$4 ⁹⁹
35688	84-96	Clutch Pilot Bearing - Roller Type	\$13 ⁹⁹
30639	84-88	Clutch Release Bearing	\$23 ⁹⁹
30643	84-88	Clutch Slave Cylinder	\$86 ⁹⁹
36846	84-85	Flywheel - Heavy Duty	\$152 ⁹⁹
51244	86-88	Flywheel - Manual	\$101 ⁹⁹
44622	84-88	Flywheel Bolt	\$1 ⁹⁹
57559	84-85	Hydraulic Clutch Line - SS	\$105 ⁹⁹
57560	86-88	Hydraulic Clutch Line - SS	\$109 ⁹⁹

1984-88 CLUTCH

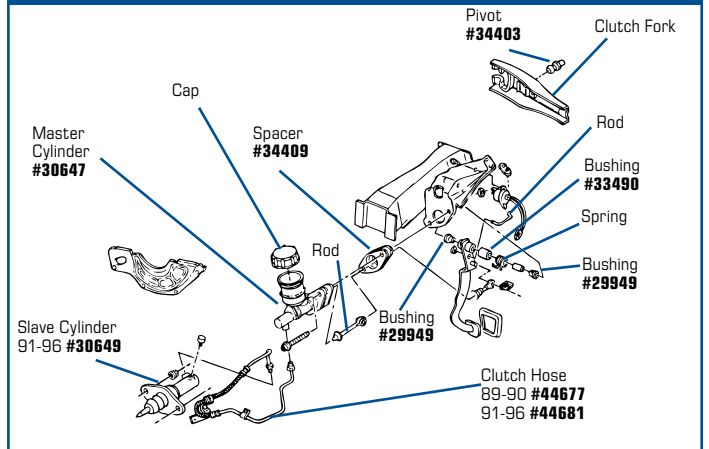


1989-1996 CLUTCH

34405	89-96	Clutch Fork Pivot Stud	\$29 ⁹⁹
44677	89-90	Clutch Hose	\$128 ⁹⁹
44681	91-96	Clutch Hose	\$113 ⁹⁹

44830	89-91	Clutch Kit - 11" 26 Spline	\$417 ⁹⁹
44831	90-93	Clutch Kit - 11" 26 Spline LT5 / ZR1	\$407 ⁹⁹
44832	92-93	Clutch Kit - 11" 26 Spline LT1	\$249 ⁹⁹
44833	94-95	Clutch Kit - 11" 26 Spline LT5 / ZR1	\$589 ⁹⁹
44834	94-96	Clutch Kit - 11" 26 Spline LT1 / LT4	\$407 ⁹⁹
30647	89-96	Clutch Master Cylinder	\$81 ⁹⁹
34409	84-96	Clutch Master Cylinder Spacer	\$10 ⁹⁹
29949	84-96	Clutch Pedal Pivot Bushing	\$2 ⁹⁹
32965	89-96	Clutch Pedal Push Rod Retainer	\$4 ⁹⁹
33490	84-96	Clutch Pedal Return Spring Bushing	\$4 ⁹⁹
35688	84-96	Clutch Pilot Bearing - Roller Type	\$13 ⁹⁹
37660	90-95	Clutch Pilot Bushing - ZR1	\$18 ⁹⁹
30640	89-93	Clutch Release Bearing	\$109 ⁹⁹
34404	94-96	Clutch Release Bearing	\$113 ⁹⁹
51208	89-90	Clutch Slave Cylinder - Correct	\$138 ⁹⁹
30648	89-90	Clutch Slave Cylinder - Replacement	\$137 ⁹⁹
30649	91-96	Clutch Slave Cylinder	\$101 ⁹⁹
41411	89-96	Flywheel - Billet Steel - Exc ZR1	\$499 ⁹⁹
40419	90-95	Flywheel - ZR1 Manual Replacement	\$657 ⁹⁹
57561	89-90	Hydraulic Clutch Line - SS	\$89 ⁹⁹
57562	91-96	Hydraulic Clutch Line - SS	\$99 ⁹⁹

1989-96 CLUTCH



#30626 1984-1988
Nash Overdrive Soft Parts Rebuild Kit

1984-1996 TRANSMISSION & RELATED

39657	84-96	Auto Trans. Dipstick Tube Grommet	\$3 ⁹⁹
51241	84-85	Auto Trans. Flex Plate Kit w/ Seals	\$35 ⁹⁹
51245	86-96	Auto Trans. Flex Plate	\$75 ⁹⁹
51246	86-96	Auto Trans. Flex Plate Mounting Bolt	\$0 ⁹⁹
51250	87-93	Auto Trans. Master Repair Kit	\$172 ⁹⁹
51254	94-96	Auto Trans. Master Repair Kit	\$193 ⁹⁹
51230	84-93	Auto Trans. Shift Improvement Kit	\$101 ⁹⁹
51252	93-96	Auto Trans. Shift Improvement Kit	\$70 ⁹⁹
51237	84-89	Auto Trans. Torque Converter Relay	\$50 ⁹⁹
51249	90-91	Auto Trans. Torque Converter Relay	\$50 ⁹⁹
44671	84-85	Flywheel - Automatic	\$45 ⁹⁹
44672	86-96	Flywheel - Automatic	\$74 ⁹⁹



44673	84-90	Flywheel Ring Gear.....	\$27⁹⁹	30655	89-92	Convertible Rear Bow Release Cable - 2 req'd.....	\$56⁹⁹
51247	89-96	Manual Trans. Main Shaft Seal - Output.....	\$11⁹⁹	23186	86-88	Convertible Rear Latch - Under Deck - LH.....	\$91⁹⁹
30626	84-88	Nash Overdrive Soft Parts Rebuild Kit.....	\$213⁹⁹	23188	86-88	Convertible Rear Latch - Under Deck - RH.....	\$91⁹⁹
37764	84-88	Nash Overdrive Pan Gasket & Filter Kit.....	\$25⁹⁹	23021	89-96	Convertible Rear Latch.....	\$101⁹⁹
50699	84-96	Transmission Control Solenoid.....	\$42⁹⁹	25262	86-96	Header Latch Cotter Pin.....	\$0⁹⁹
51479	84-93	Transmission Filter Kit w/ Gasket & Seal.....	\$63⁹⁹	30653	86-96	Convertible Rear Latch Bezel.....	\$33⁹⁹
50191	94-96	Transmission Filter Kit - Auto.....	\$36⁹⁹	30662	86-96	Convertible Rear Pin.....	\$16⁹⁹
51159	93-96	Transmission Filter Kit - Auto - Replacement.....	\$15⁹⁹	25261	86-95	Convertible Rear Pin Locknut.....	\$0⁹⁹
30628	84-96	Transmission Filter & Pan Gasket Kit - 700 R4.....	\$24⁹⁹	25260	86-95	Convertible Rear Pin Nut.....	\$0⁹⁹
51236	84-96	Transmission Oil Pan - Auto.....	\$35⁹⁹	25263	86-95	Convertible Rear Pin Washer.....	\$0⁹⁹
30625	84-88	Transmission Pan Screen - 4-Spd Manual.....	\$20⁹⁹	39685	92-96	Deck Lid Hinge Torque Rod - 96E - w/ Hole.....	\$24⁹⁹
30632	85-88	Transmission Throttle Control Cable - Auto.....	\$30⁹⁹	39686	96	Deck Lid Hinge Torque Rod - 96L w/o Hole.....	\$24⁹⁹
30633	89-91	Transmission Throttle Control Cable - Auto.....	\$57⁹⁹	39665	86-96	Deck Lid Latch Bracket - LH.....	\$95⁹⁹
50077	84-96	Transmission Shaft.....	\$34⁹⁹	39666	86-96	Deck Lid Latch Bracket - RH.....	\$69⁹⁹
57590	84-89	Transmission Lines 2 pc. - OE.....	\$59⁹⁹	39662	86-96	Deck Lid Latch Release Actuator Relay.....	\$97⁹⁹
57591	84-89	Transmission Lines 2 pc. - SS.....	\$79⁹⁹	39676	86-96	Floor Panel Bracket - Upper Front - LH.....	\$41⁹⁹
57588	90	Transmission Lines 2 pc. - OE.....	\$59⁹⁹	39677	86-96	Floor Panel Bracket - Upper Front - RH.....	\$41⁹⁹
57589	90	Transmission Lines 2 pc. - SS.....	\$79⁹⁹				

1989-1996 CAGS 6-SPEED PLUG SEAL KIT

If you've disconnected the Computer Aided Gear Selection (CAGS) system on your Corvette, this kit helps prevent dirt and corrosion from entering the open ends of its harness.



22811	89-95	CAGS Plug Seal Kit.....	\$19⁹⁹
22819	96	CAGS Plug Seal Kit.....	\$32⁹⁹

SOFTTOP & DECK LID



1984-1996 SOFTTOP & DECKLID

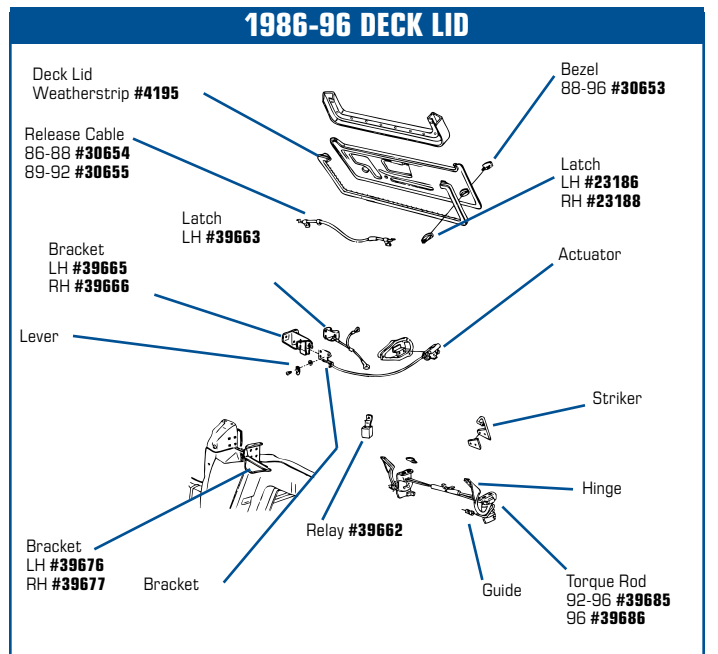
30657	86-93	Convertible Front Latch - RH.....	\$124⁹⁹
34411	94-96	Convertible Front Latch - LH.....	\$94⁹⁹
0103	86-88	Convertible Front Latch Bracket.....	\$64⁹⁹
0107	86-88	Convertible Front Latch Bracket Nut.....	\$0⁹⁹
0105	86-88	Convertible Front Latch Bracket Screw.....	\$2⁹⁹
0108	86-88	Convertible Front Latch Bracket Washer.....	\$2⁹⁹
43597	86-87	Convertible Lock Pillar Trim.....	\$53⁹⁹
43598	88-89	Convertible Lock Pillar Trim.....	\$53⁹⁹
43599	90-93	Convertible Lock Pillar Trim.....	\$53⁹⁹
43589	94-96	Convertible Lock Pillar Trim.....	\$53⁹⁹
30654	86-88	Convertible Rear Bow Release Cable - 2 req'd.....	\$49⁹⁹



1986-1996 DECK PROTECTORS

Prevent your softtop or hardtop from scratching your Corvette's rear deck. Deck Lid Protectors are static cling film (no adhesives needed), and they're die-cut for your model year. They cover the area where your top comes in contact with your rear deck to keep it like new.

21552	86-96	Clear - Softtop.....	\$27⁹⁹
21553	86-96	Black - Softtop.....	\$27⁹⁹
21554	86-96	Clear - Hardtop.....	\$27⁹⁹
21555	86-96	Black - Hardtop.....	\$27⁹⁹



WARNING: Cancer and Reproductive Harm -
www.P65Warnings.ca.gov





#39690 1984-1996
Spare Tire Carrier
Hook Bracket - LH



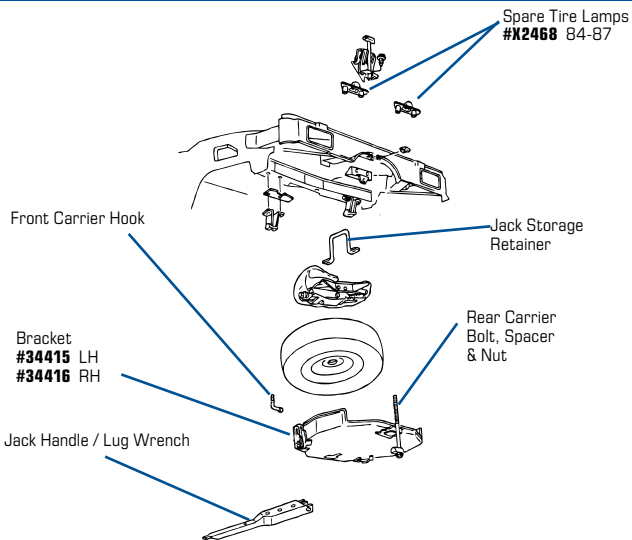
#39692 1984-1996
Jack Decal

1984-1996 SPARE TIRE & RELATED

39692	84-96	Jack Caution Decal	\$24 ⁹⁹
39697	90-92	Jack Caution Decal - Exc ZR1	\$7 ⁹⁹
39698	90-92	Jack Caution Decal - ZR1	\$7 ⁹⁹
39704	93	Jack Caution Decal	\$7 ⁹⁹
39705	94-95	Jack Caution Decal	\$7 ⁹⁹
39701	88-96	Jack Handle Retainer Wingnut	\$2 ⁹⁹
39702	94-96	Jack Storage Container - Convertible	\$13 ⁹⁹
25783	88-92	Light Bulb Socket - Spare Tire Light	\$15 ⁹⁹
34415	84-89	Spare Tire Carrier Aluminum Bracket - LH	\$10 ⁹⁹
34416	84-89	Spare Tire Carrier Aluminum Bracket - RH	\$10 ⁹⁹
39690	84-96	Spare Tire Hook Bracket - LH	\$11 ⁹⁹
39691	84-96	Spare Tire Hook Bracket - RH	\$30 ⁹⁹
X2468	84-87	Spare Tire & Rear License Light	\$13 ⁹⁹
39710	90-96	Tire Storage Strap Hook - ZR1 & Grand Sport	\$9 ⁹⁹
39709	90-96	Tire Storage Strap Stud Plate - ZR1 & Grand Sport	\$6 ⁹⁹
39708	90-96	Tire Transport Storage Strap - ZR1 & Grand Sport - Black	\$59 ⁹⁹

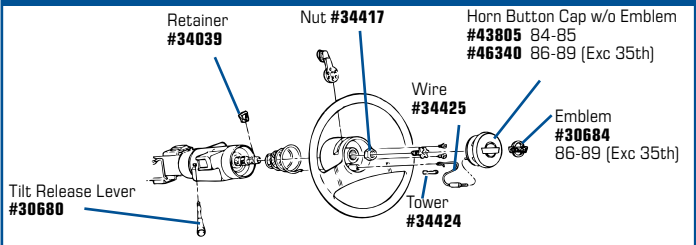


1984-96 SPARE TIRE



*** Please Note:** A \$150 Core Charge (**#25677**) is applied with each Rack & Pinion Steering unit, and will be refunded after the exchanged unit is deemed acceptable by the vendor. Please allow several weeks.

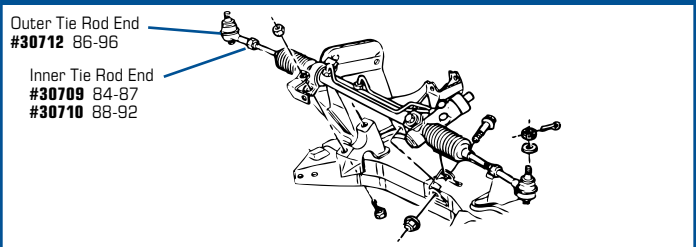
1984-89 STEERING COLUMN



1984-1996 STEERING

43805	84-85	Horn Button Cap - w/o Emblem	\$46 ⁹⁹
46340	86-89	Horn Button Cap - w/o Emblem	\$50 ⁹⁹
30684	86-89	Horn Button Emblem - Exc 35th Anniversary	\$55 ⁹⁹
34424	84-89	Horn Button Lead Tower	\$8 ⁹⁹
34425	84-89	Horn Button Wire	\$12 ⁹⁹
34426	84-85	Horn Contact	\$24 ⁹⁹
34427	86-89	Horn Contact	\$20 ⁹⁹
30018	94-96	Horn Contact Kit	\$81 ⁹⁹
43622	84-89	Horn Contact Retainer - w/ Tilt & Tele	\$10 ⁹⁹
33332	84-89	Lock Ring Star Bolt - w/ Tele	\$19 ⁹⁹
34418	84	Steering Column Bearing - Lower or Upper	\$63 ⁹⁹
34419	84-91	Steering Column Bearing - Lower Shaft	\$29 ⁹⁹
36872	84-86	Steering Column Bearing Spring - Upper	\$7 ⁹⁹
34420	84-94	Steering Column Bearing Spring Retainer - Lower	\$26 ⁹⁹
20235	92-93	Steering Column Covers	\$19 ⁹⁹
20236	94-96	Steering Column Covers	\$19 ⁹⁹
23138	84-86	Steering Column Shaft Sphere Kit	\$17 ⁹⁹
36857	84-89	Steering Column Upper Shaft Lock Wedge - Tele	\$33 ⁹⁹
34417	84-93	Steering Wheel Nut	\$8 ⁹⁹
34039	84-89	Steering Wheel Nut Retainer	\$3 ⁹⁹
30680	84-96	Tilt Wheel Release Lever - Short	\$13 ⁹⁹
30679	84-93	Tilt Wheel Release Lever - Long	\$12 ⁹⁹
36804	94-96	Turn Signal Lever	\$70 ⁹⁹
34040	84-94	Turn Signal Switch Guide Springs - pr	\$4 ⁹⁹

1984-96 STEERING RACK & PINION



34449	88-90	Steering Knuckle - LH	\$723 ⁹⁹
39761	91-93	Steering Knuckle - RH	\$473 ⁹⁹
30711	93-96	Tie Rod End - Inner - 2 req'd	\$27 ⁹⁹
30709	84-87	Tie Rod End - Inner - 2 req'd	\$22 ⁹⁹
30712	84-96	Tie Rod End - Outer - 2 req'd	\$18 ⁹⁹
30710	88-96	Tie Rod End - Inner - 2 req'd	\$22 ⁹⁹
34432	84-96	Rack & Pinion Mount Bushings - Polyurethane	\$13 ⁹⁹
50924	84-91	Rack & Pinion Bearing Kit - Upper	\$24 ⁹⁹
50925	84-91	Rack & Pinion Bearing Kit - Lower	\$12 ⁹⁹
50926	84-87	Rack & Pinion Seal Kit - FE7, Z52	\$30 ⁹⁹
50921	85-96	Rack & Pinion Seal Kit - w/o FE7	\$30 ⁹⁹
25679*	84-85	Rack & Pinion - Standard - Code YM	\$256 ⁹⁹
25680*	84-85	Rack & Pinion - Sport - Codes AJ, AK, YP	\$272 ⁹⁹
25681*	86-87	Rack & Pinion - Standard - Codes CA, WU, WL	\$256 ⁹⁹
25682*	86-87	Rack & Pinion - Sport - Code WT	\$256 ⁹⁹
25683*	88-92	Rack & Pinion - 88-89 Code FH, 90-92 ALL	\$261 ⁹⁹
25684*	89	Rack & Pinion - Code NS	\$241 ⁹⁹
25685*	93-96	Rack & Pinion	\$261 ⁹⁹





#30696 1990-1991
Power Steering Fluid Reservoir



#38758 1990-1996
Power Steering Fluid Reservoir Cap. Exc. ZR1



#39725 1992-1995
Power Steering Pump Exc. ZR1



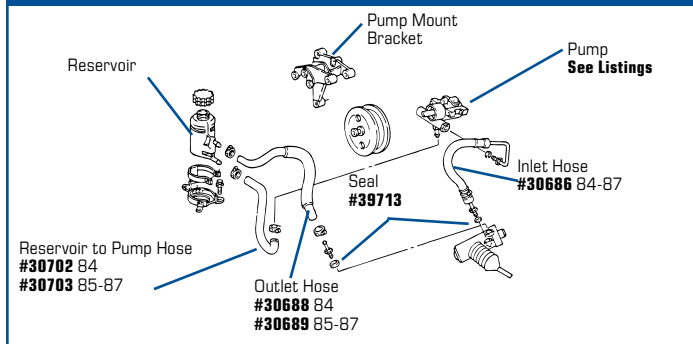
#30703 1985-1989
Power Steering Hose Reservoir To Pump

1984-1996 POWER STEERING

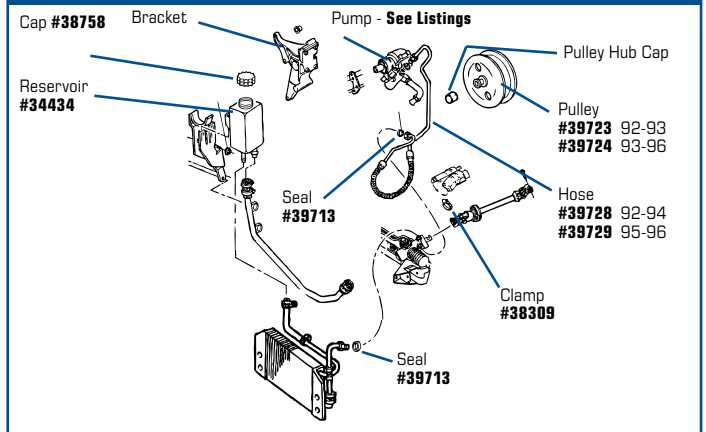
30696	90-91	Fluid Reservoir - Exc ZR1	\$68 ⁹⁹
34434	92-96	Fluid Reservoir - Exc ZR1	\$109 ⁹⁹
34438	90-95	Fluid Reservoir Cap - ZR1	\$13 ⁹⁹
30699	90-91	Fluid Reservoir Cap - Exc ZR1	\$31 ⁹⁹
38758	90-96	Fluid Reservoir Cap - Exc ZR1	\$47 ⁹⁹
30686	84-87	Hose - Inlet	\$26 ⁹⁹
47323	91	Hose - Inlet - Exc ZR1	\$36 ⁹⁹
50917	84-96	Hose - Reservoir Inlet - cut to fit	\$17 ⁹⁹
30688	84	Hose - Outlet	\$19 ⁹⁹
30689	85-89	Hose - Outlet	\$33 ⁹⁹
30702	84	Hose - Reservoir to Pump - Replacement	\$27 ⁹⁹
30703	85-89	Hose - Reservoir to Pump	\$36 ⁹⁹
38127	85-96	Hose Clamp	\$6 ⁹⁹
42985	84-96	Power Steering Fluid	\$11 ⁹⁹
39715	88-91	Power Steering Fluid Cooler Outlet Hose	\$13 ⁹⁹
50092	90-91	Power Steering Hose - ZR1	\$33 ⁹⁹
50093	92-95	Power Steering Hose - ZR1	\$40 ⁹⁹
50930	84-87	Power Steering Hose - Pump to Rack	\$17 ⁹⁹
50928	88-90	Power Steering Hose - Pump to Rack - Exc ZR1	\$17 ⁹⁹
39718	92-95	Power Steering Hose - Pump to Rack - ZR1	\$35 ⁹⁹
39728	92-94	Power Steering Hose - Pump to Rack - Exc ZR1	\$30 ⁹⁹
39729	95-96	Power Steering Hose - Pump to Rack - Exc ZR1	\$37 ⁹⁹
39713	84-96	Power Steering Hose Seal	\$7 ⁹⁹

58444	84-87	Rack & Pinion for Standard Steering	\$479 ⁹⁹
58445	88-96	Rack & Pinion for Standard Steering	\$479 ⁹⁹
57563	85	Rack & Pinion Lines 2 pc. - OE	\$89 ⁹⁹
57564	85	Rack & Pinion Lines 2 pc. - SS	\$99 ⁹⁹
50990	84-91	Power Steering Pump w/o Reservoir - Exc ZR1 - Remanufactured	\$142 ⁹⁹
39725	92-95	Power Steering Pump - Exc ZR1	\$368 ⁹⁹
51794	92-96	Power Steering Pump - Exc ZR1 - Remanufactured	\$105 ⁹⁹
50991	92-96	Power Steering Pump w/o Reservoir - Exc ZR1 - Remanufactured	\$146 ⁹⁹
50674	90-96	Power Steering Pump Shaft Seal	\$39 ⁹⁹
50675	96	Power Steering Pump Seal - LT1 & LT4	\$1 ⁹⁹
50920	89-96	Power Steering Pump Seal Kit - Exc ZR1	\$13 ⁹⁹
50676	92-96	Power Steering Pump Seal Kit	\$19 ⁹⁹
50923	90-95	Power Steering Pump Seal Kit - ZR1	\$9 ⁹⁹
50922	90-95	Power Steering Pump Rebuild Kit - ZR1	\$31 ⁹⁹
39723	92-93	Power Steering Pump Pulley - Exc ZR1 - Plastic	\$414 ⁹⁹
39722	90-95	Power Steering Pump Bracket - ZR1	\$133 ⁹⁹
50927	90-95	Power Steering Pump Drive Shaft Seal Kit - ZR1	\$4 ⁹⁹
30706	85-91	Pump Brace - Rear	\$21 ⁹⁹
38309	84-89	Radiator Hose Clamp	\$3 ⁹⁹

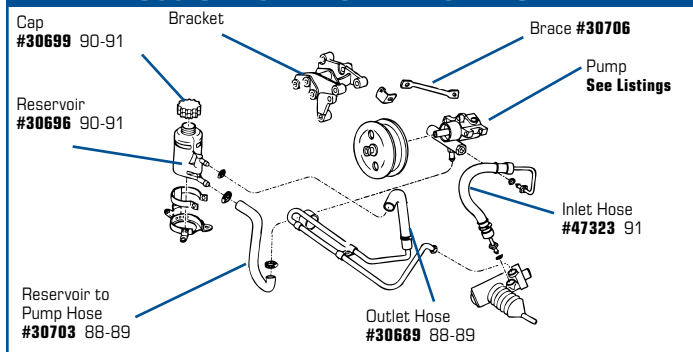
1984-87 POWER STEERING



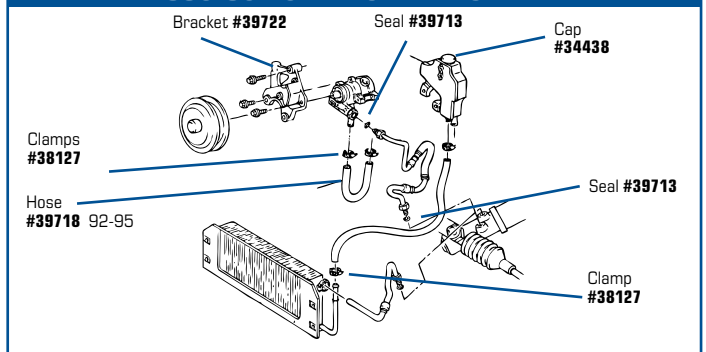
1992-96 POWER STEERING - EXC ZR1



1988-91 POWER STEERING - EXC ZR1



1990-95 POWER STEERING - ZR1



WARNING: Cancer and Reproductive Harm -
www.P65Warnings.ca.gov

(833) 4TopFlight | TopFlightAutomotive.com





#34445 1988-1996
Reconditioned Lower Control Arm - LH



#50887 1984-1996
Lower Ball Joint - Professional Grade



#50886 1984-1996
Upper Ball Joint - Professional Grade

#34461 1988-1996
Front Sway Bar Bushings.
Polyurethane - 26mm



#34453 1991-1996
Front Wheel Hub & Bearing Assembly

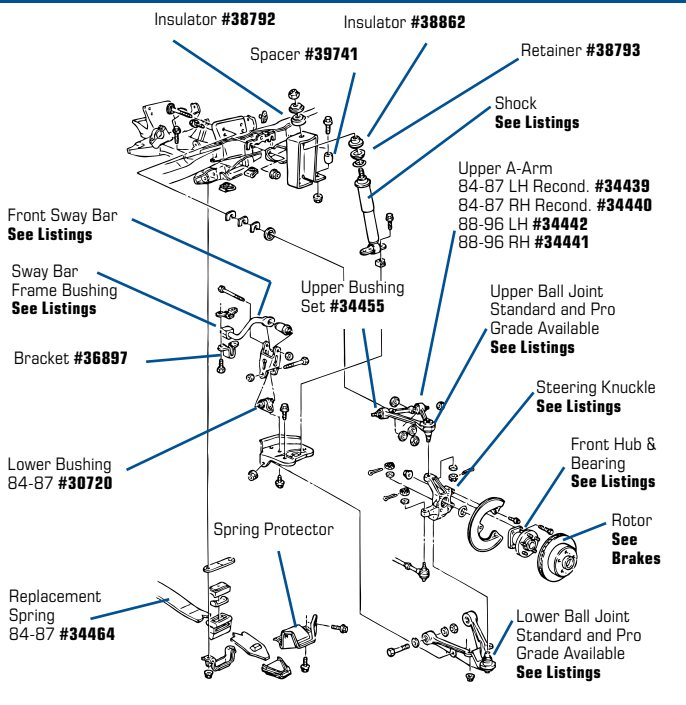


1984-1996 SUSPENSION

52137	84-87 A-Arm - Lower - LH - Reconditioned.....	\$356⁹⁹
52138	84-87 A-Arm - Lower - RH - Reconditioned.....	\$356⁹⁹
34439	84-87 A-Arm - Upper - LH - Reconditioned.....	\$427⁹⁹
34440	84-87 A-Arm - Upper - RH - Reconditioned.....	\$427⁹⁹
34444	88-96 A-Arm - Lower - LH - Reconditioned.....	\$356⁹⁹
34445	88-96 A-Arm - Lower - RH - Reconditioned.....	\$356⁹⁹
34442	88-96 A-Arm - Upper - LH.....	\$427⁹⁹
34441	88-96 A-Arm - Upper - RH.....	\$427⁹⁹
30714	84-96 Ball Joint - Lower.....	\$30⁹⁹
30713	84-96 Ball Joint - Upper.....	\$30⁹⁹
50887	84-96 Ball Joint - Lower - Pro Grade.....	\$116⁹⁹
50886	84-96 Ball Joint - Upper - Pro Grade.....	\$115⁹⁹
34820	84-96 Ball Joint Dust Boot Set - Polyurethane.....	\$11⁹⁹
39741	84-96 Frame Spacer.....	\$0⁹⁹
34464	84-87 Front Fiberglass Monospring - Replacement.....	\$489⁹⁹
42825	84-96 Front Suspension Wedges - Polyurethane.....	\$29⁹⁹
34455	84-96 Poly Control Arm Bushing - Set.....	\$121⁹⁹

34451	84-90 Front Wheel Hub & Bearing Assembly - 84-85 w/o ABS, 86-90 Replacement.....	\$133⁹⁹
50066	86-91 Front Wheel Hub & Bearing Assembly.....	\$611⁹⁹
34453	91-96 Front Wheel Hub & Bearing Assembly - Includes Wheel Speed Sensor.....	\$152⁹⁹
34454	84-96 Front Wheel Lug Stud.....	\$6⁹⁹
50944	84-96 Wheel Lug Stud Set - Front & Rear - 5 pc.....	\$12⁹⁹
52481	84-87 Tie Rod End - Inner - 2 req'd.....	\$15⁹⁹
52134	84-87 Tie Rod End - Inner - Pro Grade - 2 req'd.....	\$88⁹⁹
52135	88-92 Tie Rod End - Inner - Pro Grade - 2 req'd.....	\$40⁹⁹
52136	93-96 Tie Rod End - Inner - Pro Grade - 2 req'd.....	\$63⁹⁹
30709	84-87 Tie Rod End - Inner - 2 req'd.....	\$22⁹⁹
52484	88-92 Tie Rod End - Inner - 2 req'd.....	\$15⁹⁹
30710	88-96 Tie Rod End - Inner - 2 req'd.....	\$22⁹⁹
52485	93-96 Tie Rod End - Inner - 2 req'd.....	\$22⁹⁹
30711	93-96 Tie Rod End - Inner - 2 req'd.....	\$27⁹⁹
52479	84-85 Tie Rod End - Outer - 2 req'd.....	\$26⁹⁹
50885	84-96 Tie Rod End - Outer - Pro Grade - 2 req'd.....	\$98⁹⁹
30712	84-96 Tie Rod End - Outer - 84-85 Replacement - 2 req'd.....	\$18⁹⁹
52483	88-96 Tie Rod End - Outer - OE Design - Non-Greasable - 2 req'd.....	\$22⁹⁹
39749	84-96 Upper Control Arm Shim - 1/16" - 5 pc.....	\$4⁹⁹

1984-96 FRONT SUSPENSION



1984-1996 FRONT SWAY BAR & RELATED

39748	88-95 Front Sway Bar - w/ Soft Ride Susp and / or FX3.....	\$158⁹⁹
39764	93-96 Front Sway Bar - w/ Soft Ride Susp.....	\$102⁹⁹
31019	84-87 Front Sway Bar Bracket.....	\$13⁹⁹
31020	88-96 Front Sway Bar Bracket.....	\$9⁹⁹
34458	84-87 Front Sway Bar Bushings - Poly - 24mm - pr.....	\$30⁹⁹
34459	84-87 Front Sway Bar Bushings - Poly - 26mm - pr.....	\$30⁹⁹
34460	84-87 Front Sway Bar Bushings - Poly - 30mm - pr.....	\$28⁹⁹
42671	88-96 Front Sway Bar Bushings - Poly - 22mm - pr.....	\$35⁹⁹
34461	88-96 Front Sway Bar Bushings - Poly - 26mm - pr.....	\$29⁹⁹
34462	88-96 Front Sway Bar Bushings - Poly - 30mm - pr.....	\$28⁹⁹
30717	84-87 Front Sway Bar End Link Bracket.....	\$19⁹⁹
30718	88-96 Front Sway Bar End Link Bracket.....	\$19⁹⁹
30720	84-87 Front Sway Bar End Link Bushing - Lower.....	\$35⁹⁹
30719	84-96 Front Sway Bar End Link Bushing - Upper.....	\$21⁹⁹
25756	84-87 Front Sway Bar End Mounting Kit.....	\$101⁹⁹
25757	88-96 Front Sway Bar End Mounting Kit.....	\$56⁹⁹
40629	88-96 Front Sway Bar Kit - 1 1/8".....	\$285⁹⁹
31021	84-87 Front Sway Bar Support.....	\$8⁹⁹
31022	88-96 Front Sway Bar Support.....	\$5⁹⁹



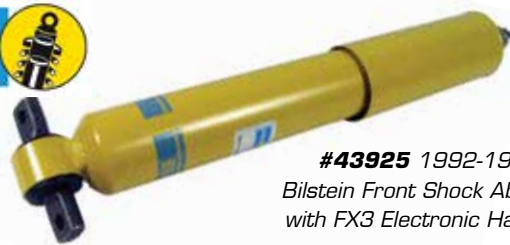
#40590 1985-1987
Sway Bar Kit. Front 32MM
1 1/4 Inch Hollow Bar



1985-1996 FRONT SWAY BAR KITS

The fastest and easiest way to refine handling and get rid of body roll in your 1985-96 Corvette is to bolt on an anti-sway bar system. These anti-sway bars link the left and right sides of your Corvette together. This transfers energy to the opposite side of the vehicle during hard cornering and resists body roll. The end result is much better handling while turning. Kits are easy to install and include grade-8 hardware, polyurethane bushings and instructions.

40626	85-87 Sway Bar Kit - Front - 1 1/8" - Solid Bar	\$213⁹⁹
40629	88-96 Sway Bar Kit - Front - 1 1/8" - Solid Bar	\$285⁹⁹



#43925 1992-1995
Bilstein Front Shock Absorber
with FX3 Electronic Handling

1984-1996 FRONT SHOCK ABSORBERS & RELATED

39744	88 Shock Absorber - w/ HD Susp	\$113⁹⁹
39745	88 Shock Absorber - w/o HD Susp	\$157⁹⁹
39754	89-90 Shock Absorber - w/ HD Susp w/o FX3	\$177⁹⁹
43925	92-95 Shock Absorber - w/ FX3	\$241⁹⁹
39757	96 Shock Absorber - w/ Sport Susp - FE3	\$169⁹⁹
38792	84-96 Shock Insulator - w/o FX3 or Real Time Damping	\$19⁹⁹
38793	84-96 Shock Insulator Retainer - w/o FX3	\$8⁹⁹

See more shocks and shock sets on pages 96-99.

FRONT SUSPENSION REBUILD KITS

These Front Suspension Rebuild Kits provide a convenient and cost-effective way to order everything you need for a suspension rebuild. Get the Standard Kit or the Deluxe Kit which contains everything in the Standard Kit plus a Polyurethane Control Arm Bushing Set.

#X2145
1984-1985
Deluxe Front
Suspension
Rebuild Kit



Professional Grade Rebuild Kits include premium, name-brand components for superior quality.

1984-1987 Front Suspension Rebuild Kits

52291	Pro Grade Deluxe Kit BEST VALUE!	\$889⁹⁹		
52290	Pro Grade Standard Kit	\$792⁹⁹		
50886	Upper Ball Joint - Pro Grade	\$115⁹⁹ ea	2	2
50887	Lower Ball Joint - Pro Grade	\$116⁹⁹ ea	2	2
52134	Inner Tie Rod End - Pro Grade	\$88⁹⁹ ea	2	2
50885	Outer Tie Rod End - Pro Grade	\$98⁹⁹ ea	2	2
34455	Poly Control Arm Bushing - set	\$121⁹⁹ ea	-	1

1988-1996 Front Suspension Rebuild Kits

52293	Pro Grade Deluxe Kit BEST VALUE!	\$802⁹⁹		
52292	Pro Grade Standard Kit	\$705⁹⁹		
50886	Upper Ball Joint - Pro Grade	\$115⁹⁹ ea	2	2
50887	Lower Ball Joint - Pro Grade	\$116⁹⁹ ea	2	2
52135*	Inner Tie Rod End - Pro Grade	\$40⁹⁹ ea	2	2
52136*	Inner Tie Rod End - Pro Grade	\$63⁹⁹ ea	2	2
50885	Outer Tie Rod End - Pro Grade	\$98⁹⁹ ea	2	2
34455	Poly Control Arm Bushing - set	\$121⁹⁹ ea	-	1

* Use #52135 for 88-92, Use #52136 for 93-96

Front Suspension Rebuild Kits include high quality components at a great price.

1984-1985 Front Suspension Rebuild Kits

X2145	Deluxe Kit BEST VALUE!	\$274⁹⁹		
X2142	Standard Kit	\$183⁹⁹		
30713	Upper Ball Joint	\$30⁹⁹ ea	2	2
30714	Lower Ball Joint	\$30⁹⁹ ea	2	2
30709	Inner Tie Rod End	\$22⁹⁹ ea	2	2
30712	Outer Tie Rod End	\$18⁹⁹ ea	2	2
34455	Poly Control Arm Bushing - set	\$121⁹⁹ ea	-	1

1986-1987 Front Suspension Rebuild Kits

X2146	Deluxe Kit BEST VALUE!	\$274⁹⁹		
X2143	Standard Kit	\$183⁹⁹		
30713	Upper Ball Joint	\$30⁹⁹ ea	2	2
30714	Lower Ball Joint	\$30⁹⁹ ea	2	2
30709	Inner Tie Rod End	\$22⁹⁹ ea	2	2
30712	Outer Tie Rod End	\$18⁹⁹ ea	2	2
34455	Poly Control Arm Bushing - set	\$121⁹⁹ ea	-	1

1988-1992 Front Suspension Rebuild Kits

X2147	Deluxe Kit BEST VALUE!	\$274⁹⁹		
X2144	Standard Kit	\$183⁹⁹		
30713	Upper Ball Joint	\$30⁹⁹ ea	2	2
30714	Lower Ball Joint	\$30⁹⁹ ea	2	2
30710	Inner Tie Rod End	\$22⁹⁹ ea	2	2
30712	Outer Tie Rod End	\$18⁹⁹ ea	2	2
34455	Poly Control Arm Bushing - set	\$121⁹⁹ ea	-	1

1993-1996 Front Suspension Rebuild Kits

X2148	Deluxe Kit BEST VALUE!	\$274⁹⁹		
X2141	Standard Kit	\$183⁹⁹		
30713	Upper Ball Joint	\$30⁹⁹ ea	2	2
30714	Lower Ball Joint	\$30⁹⁹ ea	2	2
30710	Inner Tie Rod End	\$22⁹⁹ ea	2	2
30712	Outer Tie Rod End	\$18⁹⁹ ea	2	2
34455	Poly Control Arm Bushing - set	\$121⁹⁹ ea	-	1



WARNING: Cancer and Reproductive Harm -
www.P65Warnings.ca.gov

(833) 4TopFlight | TopFlightAutomotive.com





1988-1996 NEOPRENE FENDER SEALS

Install these seals and keep your engine compartment clean and dry. They mount over the shock towers using factory and supplied fasteners. Installation of the die-cut, non-tearing, neoprene seals takes just minutes. Neoprene construction makes these seals stronger and more durable than other similar available products.

41883 88-96 Fender Seals - pr **\$42⁹⁹**



1988-1996 SPORT SUSPENSION SYSTEMS

A Sport Suspension System with Composite Monosprings will set up your C4 Corvette for tighter, more responsive handling without compromising the ride. The Sport Suspension reduces body roll and maintains optimum tire geometry for better traction and wear.

Note: Sport Suspension Systems contain oversized packages and require additional freight charges. Please ask your Sales Rep for details.

Sport Suspension Systems include:

- Front Sport Spring Kit
- Bilstein Sport® Gas Shocks
- Rear Sport Spring Kit
- 32mm Front Anti-Sway Bar Kit
- Lowering Wedge Kit
- 360 lb. Composite Monospring
- Adjustable Smart Struts®
- Front & Rear Poly Conversion Kits

40582 88 Suspension System - Sport **\$2389⁹⁹**

40583 89-96 Suspension System - Sport **\$2389⁹⁹**

Composite Monospring

The composite monospring is the ultimate replacement for the aging multi-leaf steel spring. It is designed to ride better, react faster, and last longer than conventional multi-leaf steel springs. It is composed of unidirectional fibers that are bonded together with a special epoxy matrix. By nature, this fiberglass is more elastic than steel and will not fatigue the way a multi-leaf steel spring eventually must. Because it does not contain layers of steel like a standard multi-leaf spring, there is no friction between each leaf to slow reaction to changing road surfaces.



- Improves Ride & Handling
- Outlasts Stock Rubber Bushings
- One Kit - One Low Price!

PROTHANE POLYURETHANE TOTAL SUSPENSION KIT

Durable and reliable, Prothane bushings are tested & proven to outlast stock rubber bushings in the most demanding conditions. These kits are convenient and much more affordable than purchasing individual pieces at a higher cost.

Polyurethane Total Suspension Kit includes:

Front & Rear Control Arm Bushings, Rack and Pinion Bushings, Rear Spring Cushions, Rear Strut Rod Bushings, Differential Pinion Bushings and Tie Rod End Boots.

34822 84-96 Polyurethane Total Suspension Kit **\$223⁹⁹**



#34474 1984-1996 Polyurethane Rear Sway Bar Bushings - 24mm

1984-1996 INDIVIDUAL POLYURETHANE COMPONENTS

34466	84-96	Differential Crossmember Bushings - 4 pc set.....	\$27⁹⁹
34455	84-96	Front Control Arm Bushing Set	\$121⁹⁹
34817	84-87	Front End Links w/ Bushings.....	\$16⁹⁹
34816	88-96	Front End Links w/ Bushings.....	\$16⁹⁹
34458	84-87	Front Sway Bar Bushings - 24mm - w/ End Links	\$30⁹⁹
34459	84-87	Front Sway Bar Bushings - 26mm - w/ End Links	\$30⁹⁹
34460	84-87	Front Sway Bar Bushings - 30mm - w/ End Links	\$28⁹⁹
42671	88-96	Front Sway Bar Bushings - 22mm - w/ End Links	\$35⁹⁹
34811	88-96	Front Sway Bar Bushings - 24mm - w/ End Links	\$29⁹⁹
34461	88-96	Front Sway Bar Bushings - 26mm - w/ End Links	\$29⁹⁹
34462	88-96	Front Sway Bar Bushings - 30mm - w/ End Links	\$28⁹⁹
34432	84-96	Rack & Pinion Mount Bushings.....	\$13⁹⁹
34812	84-96	Rear Control Arm Bushing Kit	\$74⁹⁹
34468	84-96	Rear Spring Cushions - 4 pc set	\$20⁹⁹
34470	84-96	Rear Sway Bar & End Link Bushings - 19mm.....	\$34⁹⁹
34472	84-96	Rear Sway Bar & End Link Bushings - 22mm	\$34⁹⁹
34474	84-96	Rear Sway Bar & End Link Bushings - 24mm	\$34⁹⁹
34475	84-96	Rear Sway Bar & End Link Bushings - 26mm	\$34⁹⁹
30757	84-95	Rear Sway Bar End Link Bushings - 4 pc set.....	\$19⁹⁹
34477	84-87	Strut Rod Bushings - 4 pc set - all same size	\$27⁹⁹
34815	88-96	Strut Rod Bushings - 4 pc set - 2 sizes.....	\$24⁹⁹
34818	84-96	Tie Rod Dust Boots - pr	\$6⁹⁹



1984-1996 REAR SUSPENSION

34466	84-96 Differential Crossmember Bushing Kit - Poly.....	\$27⁹⁹
36919	84-90 Differential Pinion Front Seal.....	\$9⁹⁹
39884	89-95 Hydraulic Suspension Actuator - Rear.....	\$418⁹⁹
39802	95-96 Rear Axle Outer Tie Rod Kit.....	\$101⁹⁹
50562	84-96 Rear Axle Housing Vent.....	\$17⁹⁹
39789	88-96 Rear Caliper Mount Plate - LH.....	\$53⁹⁹
39790	88-96 Rear Caliper Mount Plate - RH.....	\$45⁹⁹
30750	84-92 Rear Cam Bolt Kit - 2 req'd.....	\$39⁹⁹
35746	84-96 Rear End Vent.....	\$4⁹⁹
39798	88-96 Rear Inner Side Member - Conv - RH.....	\$355⁹⁹
39799	88-93 Rear Inner Side Member - Coupe - LH.....	\$367⁹⁹
39800	88-96 Rear Inner Side Member - Coupe - RH.....	\$708⁹⁹
39801	94-96 Rear Inner Side Member - Coupe - LH.....	\$708⁹⁹
39788	88-96 Rear Shock Mount Stud.....	\$48⁹⁹
34479	84-96 Rear Spring - Fiberglass - Replacement - Coupe.....	\$501⁹⁹
30736	84-96 Rear Spring Adjustment Bolt Kit - Polyurethane.....	\$53⁹⁹
30740	84-96 Rear Spring Adjustment Bolt Kit - Rubber.....	\$46⁹⁹
30737	84-96 Rear Spring Bolt - Outer.....	\$23⁹⁹
42826	84-96 Rear Spring Bolts - Long - pr.....	\$44⁹⁹
30738	84-96 Rear Spring Cushion - Outer.....	\$14⁹⁹
34468	84-96 Rear Spring Cushions - Polyurethane - 4 pc set.....	\$20⁹⁹
25765	84-96 Rear Spring Cushion - Rubber - ea, 4 req'd.....	\$5⁹⁹
34478	84-96 Rear Spring Cushions - Rubber - 4 pc set.....	\$24⁹⁹
39779	89-96 Rear Strut Rod Bracket.....	\$28⁹⁹
39794	88-96 Rear Suspension Knuckle - RH.....	\$719⁹⁹
52482	84-91 Tie Rod End - Outer - Greasable.....	\$50⁹⁹
30715	84-91 Tie Rod End - Outer - Reproduction.....	\$78⁹⁹
50885	92-96 Tie Rod End - Outer - Pro Grade - 2 req'd.....	\$98⁹⁹
30712	92-96 Tie Rod End - Outer - 2 req'd.....	\$18⁹⁹
30965	84-96 U-Joint - Drive Shaft.....	\$16⁹⁹
30753	84-90 U-Joint - Half Shaft.....	\$16⁹⁹
42500	84-96 U-Joint - All - No grease fittings as original.....	\$40⁹⁹
51728	84-96 U-Joint Strap - Drive Shaft.....	\$11⁹⁹
49188	84-96 U-Joint Strap Kit - Drive Shaft - w/ 4-1/4" bolts.....	\$14⁹⁹
49187	84-96 U-Joint Strap Kit - Half Shaft - w/ 4-5/16" bolts.....	\$16⁹⁹



#43924 1989-1991
Bilstein Rear Shock Absorber
with FX3 Electronic Handling

1984-1996 BILSTEIN GAS SHOCK ABSORBERS

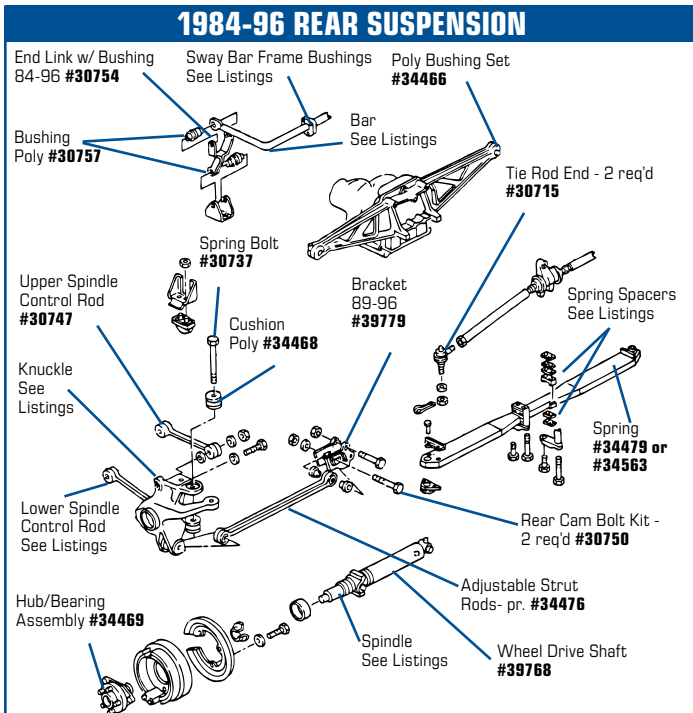
Gas pressure shocks are constructed to dissipate heat more effectively to improve the ride, handling and control of your car. Built to last with a lifetime warranty to prove it.

43906	84-87 Bilstein Shock - Front - All.....	\$97⁹⁹
43909	88 Bilstein Shock - Front - HD.....	\$106⁹⁹
43923	89-91 Bilstein Shock - Front - w/ FX3.....	\$241⁹⁹
43913	89-94 Bilstein Shock - Front - w/ Z51.....	\$106⁹⁹
43912	89-96 Bilstein Shock - Front - Convertible w/ Z51.....	\$107⁹⁹
43911	89-96 Bilstein Shock - Front - HD.....	\$107⁹⁹
43925	92-95 Bilstein Shock - Front - w/ FX3.....	\$241⁹⁹
43917	95-96 Bilstein Shock - Front - w/ Z51.....	\$107⁹⁹
43908	84-87 Bilstein Shock - Rear - w/ Z51.....	\$106⁹⁹
43907	84-87 Bilstein Shock - Rear - HD.....	\$86⁹⁹
43915	88-94 Bilstein Shock - Rear - w/ Z51.....	\$96⁹⁹
43914	88-96 Bilstein Shock - Rear - HD.....	\$96⁹⁹
43924	89-91 Bilstein Shock - Rear - w/ FX3.....	\$222⁹⁹
43926	92-95 Bilstein Shock - Rear - w/ FX3.....	\$222⁹⁹
43918	95-96 Bilstein Shock - Rear - w/ Z51.....	\$96⁹⁹

1984-1996 BILSTEIN GAS SHOCK SETS

We also offer Bilstein Shocks in sets of 2 Fronts and 2 Rears. Buy the set and save money!

46637	84-87 Bilstein Shock Set - Heavy Duty - 2 Front - 2 Rear.....	\$349⁹⁹
46638	84-87 Bilstein Shock Set - Z51 - 2 Front - 2 Rear.....	\$389⁹⁹
46639	88 Bilstein Shock Set - Heavy Duty - 2 Front - 2 Rear.....	\$392⁹⁹
46641	89-96 Bilstein Shock Set - Heavy Duty - 2 Front - 2 Rear.....	\$392⁹⁹
46643	89-94 Bilstein Shock Set - Z51 - 2 Front - 2 Rear.....	\$359⁹⁹
46644	95-96 Bilstein Shock Set - Z51 - 2 Front - 2 Rear.....	\$376⁹⁹



#30729 1984-1987
KYB Gas Front Shock Absorber



KYB SHOCK ABSORBERS

30729	84-87 KYB Gas Shock - Front.....	\$51⁹⁹
30730	88 KYB Gas Shock - Front.....	\$57⁹⁹
30731	89-94 KYB Gas Shock - Front - Exc Adj Susp.....	\$56⁹⁹
30732	84-87 KYB Gas Shock - Rear.....	\$55⁹⁹
30733	88-96 KYB Gas Shock - Rear - Exc Adj Susp.....	\$56⁹⁹



WARNING: Cancer and Reproductive Harm -
www.P65Warnings.ca.gov

(833) 4TopFlight | TopFlightAutomotive.com





#51270 1984-1996
Monroe Sensa-Trac Front
Shock Absorber - Exc. 88

1984-1996 MONROE SENSATRAC SHOCK ABSORBERS

51270	84-96	Monroe Sensa-Trac Shock - Front - exc 88	\$31⁹⁹
51271	88	Monroe Sensa-Trac Shock - Front	\$33⁹⁹
51272	84-87	Monroe Sensa-Trac Shock - Rear	\$36⁹⁹
51273	88-96	Monroe Sensa-Trac Shock - Rear	\$34⁹⁹



#39786 1989-1996
Rear Shock Absorber with
Soft Ride Suspension

1985-1996 REAR SHOCK ABSORBERS & RELATED

39772	85-87	Shock Absorber - Rear	\$43⁹⁹
39784	88	Shock Absorber - Rear - w/o HD Susp	\$53⁹⁹
39786	89-96	Shock Absorber - Rear - w/ Soft Ride Susp	\$137⁹⁹
39806	96	Shock Absorber - Rear - w/ FE3 Sport Susp	\$36⁹⁹
39804	95-96	Shock Insulator - Lower - Exc FX3 or F45	\$16⁹⁹
39780	88-96	Shock Insulator Retainer - Exc FX3	\$11⁹⁹



#4243 1985-1996
Rear Sway Bar Kit - 26mm

1984-1996 REAR SWAY BAR & RELATED

39777	85-96	Rear Sway Bar - 85 w/ HD Susp, 88 w/ Perf. Handling Pkg, 89 w/ HD Susp w/o Elec Ride & Handling, 90 w/ HD Susp or ZR1, 91 L98 w/ Soft Ride Susp, 92-95 w/ HD Susp, 93-95 LT1 w/ Soft Ride Susp, 96 All except Grand Sport	\$93⁹⁹
39778	86-92	Rear Sway Bar - 86-87 w/ HD Susp, 88 w/o Perf Handling Pkg, 89 w/ Soft Ride Susp or w/ HD Susp w/ Elec. Susp Control, 90 w/ Soft Ride Susp or w/ HD Susp w/ Elec. Susp Control, 92 LT1 w/ Soft Ride Susp.	\$81⁹⁹
39796	91-96	Rear Sway Bar - 91 w/ HD Susp, 91-95 ZR1 or w/ Soft Ride Susp, 96 Grand Sport	\$207⁹⁹
4243	85-96	Rear Sway Bar Kit - 1" - Solid Bar	\$214⁹⁹
31023	84-87	Rear Sway Bar Bracket	\$5⁹⁹
37627	84-96	Rear Sway Bar Bracket	\$13⁹⁹
31024	88-96	Rear Sway Bar Bracket	\$9⁹⁹
37626	84-96	Rear Sway Bar Bushing	\$4⁹⁹
37623	84-96	Rear Sway Bar Bushing - Rubber - 19mm	\$9⁹⁹
37624	84-96	Rear Sway Bar Bushing - Rubber - 24mm	\$5⁹⁹



#34469 1984-1996
Rear Wheel Hub &
Bearing Assembly



#30754 1984-1996
Rear Sway Bar End Link
Bracket w/ Bushing

#39791 1984-1996
Rear Wheel Spindle



30754	84-96	Rear Sway Bar End Link Bracket w/ Bushing	\$28⁹⁹
30757	84-95	Rear Sway Bar End Link Bushings - Poly - 4 pc set	\$19⁹⁹
34470	84-96	Rear Sway Bar End Link & Frame Bushings - Polyurethane - Convertible - 19mm - pr	\$34⁹⁹
34472	84-96	Rear Sway Bar End Link & Frame Bushings - Polyurethane - 22mm - pr	\$34⁹⁹
34474	84-96	Rear Sway Bar End Link & Frame Bushings - Polyurethane - 24mm - pr	\$34⁹⁹
34475	84-96	Rear Sway Bar End Link & Frame Bushings - Polyurethane - 26mm - pr	\$34⁹⁹
34469	84-96	Rear Wheel Hub & Bearing Assembly - Aftermarket	\$121⁹⁹
35279	84-96	Stabilizer Bracket & Link Bushing	\$6⁹⁹
25758	84-87	Sway Bar End Mounting Kit - Rear	\$70⁹⁹
25759	88-96	Sway Bar End Mounting Kit - Rear	\$70⁹⁹
50365	84-96	Rear Wheel Hub & Bearing Assembly	\$469⁹⁹
39791	84-96	Rear Wheel Spindle	\$155⁹⁹
34454	84-96	Wheel Lug Stud	\$6⁹⁹
50944	84-96	Wheel Lug Stud Set - Front & Rear - 5 pc	\$12⁹⁹



1984-1996 LOWERING KIT

Here's an affordable kit with easy-to-install poly wedges and longer rear spring bolts that will lower your Corvette approximately 1". The lower center of gravity reduces body roll and improves handling.

40580	84-96	Lowering Kit	\$59⁹⁹
--------------	-------	--------------	--------------------------





#52470 1984-1996
Adj. Upper Spindle Control
Rods with Poly Bushings

1984-1996 SPINDLE CONTROL RODS

52470	84-96 Adjustable Spindle Control Rods - Upper - w/ Poly Bushings - pr	\$102⁹⁹
52471	84-96 Adjustable Spindle Control Rods - Lower - w/ Poly Bushings - pr	\$102⁹⁹
52469	84-96 Adjustable Spindle Control Rods - Upper & Lower - w/ Poly Bushings - 4 pc set	\$183⁹⁹
30748	84-95 Spindle Control Rod - Lower	\$50⁹⁹
30747	84-95 Spindle Control Rod - Upper	\$50⁹⁹
30760	84-96 Spindle Control Rods - 4 pc Set	\$183⁹⁹
30745	84-96 Spindle Control Rods - 4 pc - Rubber	\$223⁹⁹
34812	84-96 Spindle Control Rod Bushings - Poly - 8 pc set	\$74⁹⁹



#34476 1984-1996
Adjustable Strut Rods
with Polyurethane Bushings

1984-1996 STRUT RODS

34476	84-96 Strut Rods - Adjustable w/ Polyurethane Bushings - pr	\$102⁹⁹
34477	84-87 Strut Rod Bushings - Polyurethane - 4 pc set	\$27⁹⁹
34815	88-96 Strut Rod Bushings - Polyurethane - 4 pc set	\$24⁹⁹
30746	84-88 Strut Rod Bushing Retainer - 4 pc set - OEM	\$12⁹⁹
37570	84-89 Strut Rod Cap - 4 req'd	\$1⁹⁹



#40597 1984-1996
Smart Strut Kit with
Polyurethane Bushings

POLY SMART STRUT® KITS

Polyurethane Smart Struts® eliminate unwanted change in rear wheel camber. At 2 1/2" of wheel travel, the 84-96 Corvette rear camber setting changes over 2°. The same car equipped with Smart Struts® has measured camber change of less than one-tenth of a degree at over 5 1/2" of wheel travel. Now that's proven results! Smart Struts® are guaranteed to improve handling and reduce uneven tire wear. They also reduce hub bearing wear by reducing side loading. Limited lifetime warranty.

Poly Smart Strut® Kits include:

- Custom Strut Rod Mounting Bracket
- Camber Adjustment Cams
- Polyurethane Rod End Bushings
- All Hardware & Instructions

40597	84-96 Poly Smart Strut Kit	\$492⁹⁹
--------------	----------------------------	---------------------------



WARNING: Cancer and Reproductive Harm -
www.P65Warnings.ca.gov

(833) 4TopFlight | TopFlightAutomotive.com



1984-1996 REBUILT REAR DIFFERENTIALS

These Automatic and Manual Differentials are rebuilt with new bearings, seals, carriers and gear sets.

Please Note: Each unit requires

an exchange of a POSI-TRACTION unit in good, rebuildable, non-damaged condition. All core charges must be paid at time of purchase & will be refunded when the exchange unit is received, examined & determined to be rebuildable. Returned core must be the same ratio as the differential purchased to qualify for full refund.

24110	85-96 Auto 2:59	\$1254⁹⁹
24111	85-96 Auto 2:73	\$1254⁹⁹
24112	85-96 Auto 2:87	\$1529⁹⁹
24113	85-96 Auto 3:07	\$1529⁹⁹
24114	85-96 Auto 3:73	\$1529⁹⁹
24115	84-96 Man 3:08	\$1529⁹⁹
24116	85-96 Man 3:33	\$1937⁹⁹
24117	85-96 Man 3:45	\$1937⁹⁹
24118	85-96 Man 3:54	\$1937⁹⁹
24119	84-96 Man 3:73	\$1937⁹⁹
29995	84-96 Rear End Core Charge	\$400⁰⁰



#50667 1984-1996
Rear End Pinion
Bearing Race - Inner



#50668 1984-1996
Rear End Pinion Bearing -
Inner w/o Race

DIFFERENTIAL BEARING & RACE

50668	84-96 Rear End Pinion Bearing - Inner	\$24⁹⁹
50667	84-96 Rear End Pinion Bearing Race - Inner	\$8⁹⁹



#50677 1984-1996
Differential Bearing
& Seal Rebuild Kit

DIFFERENTIAL BEARING & SEAL REBUILD KITS

Differential Rebuild Kits include: (2) Differential Bearings, Inner Pinion Bearings, Pinion Nut, Gear Marking Compound and Threadlocker. For Manual (#50677) or Automatic (#50679) transmissions.

50677	84-96 Differential Bearing & Seal Rebuild Kit - Manual	\$137⁹⁹
50679	85-96 Differential Bearing & Seal Rebuild Kit - Auto	\$137⁹⁹

DIFFERENTIAL RELATED

50626	84-96 Differential Front Seal	\$29⁹⁹
51688	84-89 Rear End Cover Gasket	\$9⁹⁹
51689	90-96 Rear End Cover Gasket	\$8⁹⁹





#52209 1984-1985
 Power Door Lock Switch -
 LH - Import



#50696 1984-1988
 Headlight Vacuum Switch



#40532 1992-1996
 Dual Power Window Switch - LH



#30793 1987-1996
 Door Anti-Theft Switch - RH

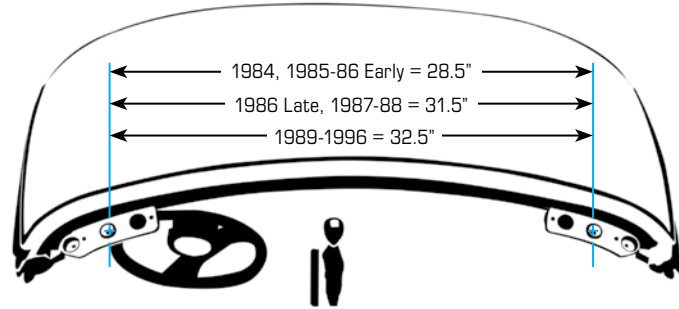


#30812 1989-1996
 Neutral Safety Switch - Manual

1984-1996 SWITCHES

51280	84	AC Compressor Cycling Switch - Replacement.....	\$36⁹⁹	30812	89-96	Neutral Safety Switch - Manual.....	\$53⁹⁹
51036	84-85	Alarm System Starter Interrupt Relay.....	\$37⁹⁹	50752	90-96	Oil Pressure Switch.....	\$18⁹⁹
30810	84-88	Backup Light Switch w/ Manual Trans.....	\$89⁹⁹	28444	85-88	Override Switch - 4+3 Speed - 85L.....	\$81⁹⁹
30811	89-96	Backup Light Switch w/ Manual Trans.....	\$55⁹⁹	30058	84	Power Door Lock Actuator.....	\$40⁹⁹
30035	84-86	Brake Light Switch - w/ Cruise.....	\$9⁹⁹	30782	84-85	Power Door Lock Switch - LH - Delco.....	\$18⁹⁹
30772	87-92	Brake Light Switch - w/ Cruise.....	\$19⁹⁹	52209	84-85	Power Door Lock Switch - LH - Import.....	\$9⁹⁹
50697	84-86	Brake Light Switch - w/o Cruise - Auto Trans.....	\$12⁹⁹	30783	84-85	Power Door Lock Switch - RH - Delco.....	\$14⁹⁹
30034	84-96	Brake Light Switch - w/o Cruise - Manual Trans.....	\$9⁹⁹	30777	84-89	Power Door Lock Switch.....	\$11⁹⁹
50698	84	Cooling Fan Switch.....	\$20⁹⁹	51435	84-86	Power Mirror Control Toggle.....	\$106⁹⁹
50711	85-91	Cooling Fan Switch.....	\$14⁹⁹	51436	87-89	Power Mirror Control Toggle.....	\$102⁹⁹
30817	84-89	Courtesy Lamp Switch.....	\$19⁹⁹	34485	84-89	Power Mirror Selector Switch.....	\$42⁹⁹
50694	84-90	Cruise Control Release Switch.....	\$34⁹⁹	30777	84-89	Power Window Switch.....	\$11⁹⁹
40371	84-89	Cruise Control Servo Boot.....	\$14⁹⁹	54230	92-93	Power Window Switch - RH.....	\$111⁹⁹
40912	84-92	Cruise Control Vacuum Release Valve.....	\$49⁹⁹	40531	90-91	Power Window Switch - Dual - LH.....	\$111⁹⁹
30816	88-96	Door Ajar Indicator Switch - 2 req'd.....	\$29⁹⁹	40532	92-96	Power Window Switch - Dual - LH.....	\$111⁹⁹
30790	84-86	Door Anti-Theft Switch - LH.....	\$69⁹⁹	30778	84-90	Power Window & Door Lock Switch Bezel.....	\$13⁹⁹
30791	84-86	Door Anti-Theft Switch - RH.....	\$68⁹⁹	37333	84-90	Power Window Switch Connector wit Pigtail - Left.....	\$28⁹⁹
30792	87-96	Door Anti-Theft Switch - LH.....	\$68⁹⁹	43812	84-90	Seat Control Switch Bezel - Sport - LH.....	\$12⁹⁹
30793	87-96	Door Anti-Theft Switch - RH.....	\$68⁹⁹	37786	84-89	Seat Backrest Control Switch - Sport.....	\$50⁹⁹
34496	84-89	Door Jamb Switch Seal.....	\$8⁹⁹	37787	84-89	Seat Bolster Control Switch - Sport.....	\$50⁹⁹
51283	86-89	EGR Temperature Switch.....	\$62⁹⁹	50755	94-96	Seat Relay.....	\$9⁹⁹
34196	88-89	Fuel Pump Relay.....	\$21⁹⁹	23128	84-89	Seat Toggle Switch.....	\$50⁹⁹
30800	84-96	Hatch Glass Release Switch - Console.....	\$38⁹⁹	23127	84-89	Seat Up/Down Switch - 2 req'd.....	\$40⁹⁹
30764	84-89	Headlight Switch.....	\$24⁹⁹	36859	84-96	Steering Column Rack & Sector Gear.....	\$28⁹⁹
50696	82-88	Headlight Vacuum Switch.....	\$88⁹⁹	25772	84-88	Transmission Override Switch.....	\$38⁹⁹
50741	90-96	Heater A/C Control Selector Switch.....	\$50⁹⁹	50754	95-96	Trunk Release Switch - ZR1.....	\$40⁹⁹
58155	84-89	Heater Blower Switch for Manual HVAC.....	\$39⁹⁹	34048	84-86	Turn Signal/Dimmer Switch Actuator Pivot.....	\$30⁹⁹
50695	84-87	Ignition Switch w/o Tilt.....	\$32⁹⁹	2146	84-88	Turn Signal Switch.....	\$45⁹⁹
30762	84-96	Ignition Switch w/ Tilt.....	\$30⁹⁹	30763	91-96	Turn Signal Switch.....	\$60⁹⁹
20217	84-89	Interior Light Delay Switch.....	\$121⁹⁹	34040	84-94	Turn Signal Switch Guide Springs - pr.....	\$4⁹⁹
45061	84-96	LED Flasher - 2 Terminal.....	\$10⁹⁹	34048	84-86	Turn Signal/Dimmer Switch Actuator Pivot.....	\$30⁹⁹
34195	88-92	Manual Transmission Shift Relay.....	\$14⁹⁹	30773	84-85	Wiper Switch - w/ Pulse.....	\$106⁹⁹
30148	95-96	Master Cylinder Pressure Warning Switch - LT1-LT4.....	\$136⁹⁹	30775	86-89	Wiper Switch - w/ Pulse.....	\$106⁹⁹
				34482	94-96	Wiper Switch w/ Signal Arm Pivot Assembly.....	\$489⁹⁹





To determine the correct Top Application, measure the distance between mounting bolts as shown.

1984-1996 ROOF PANELS

Available in a blue or bronze tint, these one-piece acrylic Roof Panels are crafted for a precise fit just like the original. This one-piece panel arrives ready to install with factory hardware.

4120	84-86 Blue - 86E	\$1325⁹⁹
4125	84-86 Bronze - 86E	\$1325⁹⁹
4121	86-88 Blue - 86L	\$1325⁹⁹
4126	86-88 Bronze - 86L	\$1325⁹⁹
4124	89-96 Blue	\$1325⁹⁹
4127	89-96 Bronze	\$1325⁹⁹

1984-1996 ROOF PANELS REFURBISHED ORIGINAL

Manufactured using an acrylic, super abrasion resistant lens, these Refurbished Roof Panels are the answer for a top with broken or cracked glass. Panels include all weatherstrips and are backed by a lifetime manufacturer's warranty against frame/lens separation. Available in both Blue and Bronze tints. Note: A refundable core charge of \$250 will be added at the time of purchase. The core charge will be refunded once the returned frame is deemed to be unbenet and unbroken.

44260	84-86 Blue 86E	44263	84-86 Bronze 86E
44261	86-88 Blue 86L	44264	86-88 Bronze 86L
44262	89-96 Blue	44265	89-96 Bronze

1984-96 Roof Panel **\$948⁹⁹**

Attention 1986 Corvette Owners:

Early 1986 tops have a cone shaped alignment pin located out-board of a threaded mounting hole. The center-to-center distance between the alignment pin and the threaded hole is 2". Late 1986 tops don't have the alignment pin. Instead, a metal bracket with a threaded mounting hole is used. The bracket is held in place by two torx head bolts. Distance between bolts is 2 1/4".



#30598 1989-1996
Roof Panel Front
Hold Down Plate

#49104 1984-1986
Roof Latch Trim
Plate - 86E Coupe



#34489 1984-1996
Roof Panel Rear Locator
Bracket - RH



#34490 1984-1996
Roof Panel Rear
Locator Bracket Shim

30597	84-96 Roof Panel Front Attach Bolt.....	\$5⁹⁹
30591	86-88 Roof Panel Front Hold Down Plate - 86L.....	\$19⁹⁹
30598	89-96 Roof Panel Front Hold Down Plate	\$19⁹⁹
30590	84-86 Roof Panel Front Locating Cone - 86E.....	\$19⁹⁹
23135	89-96 Roof Panel Inner Frame Plug Caps	\$9⁹⁹
34489	84-96 Roof Panel Rear Locator Bracket - RH	\$182⁹⁹
34490	84-96 Roof Panel Rear Locator Bracket Shim.....	\$7⁹⁹
30596	84-96 Roof Panel Rear Locator Kit.....	\$81⁹⁹
30599	84-96 Roof Panel Rear Lock Bolt - 2 req'd.....	\$6⁹⁹
30601	84-96 Roof Panel Rear Lock Bolt Retainer - pr	\$20⁹⁹
30595	84-96 Roof Panel Storage Latch Release Handle	\$8⁹⁹
49104	84-86 Roof Latch Trim Plate - 86E - Coupe.....	\$40⁹⁹
49105	86-88 Roof Latch Trim Plate - 86L - Coupe	\$40⁹⁹
49106	86-88 Roof Latch Trim Plate - Convertible.....	\$40⁹⁹

ROOF PANEL RATCHET

Our Roof Panel Ratchet allows you to install and remove your roof panel just as quickly and easily as original at a price far below a factory replacement.



X2182 84-96 Roof Panel Ratchet..... **\$16⁹⁹**

1984-96 ROOF PANEL



1984-1996 ROOF PANEL HEADLINERS

Original on all 1984-1996 Corvettes with fiberglass roof panels, the Roof Panel Liner helps to reduce both interior heat and noise. Now, you can replace your damaged or aged Liner with an accurate reproduction liner. Simply press into place using the existing fasteners already found on your original roof panel.

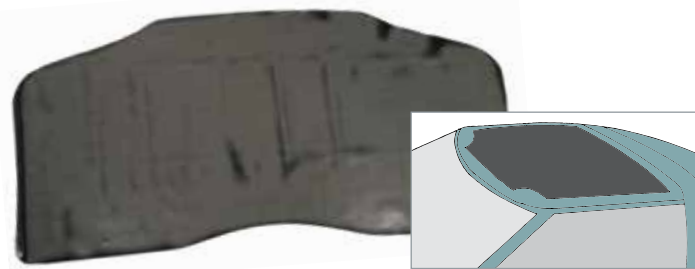
- 42802** 84-85 Roof Panel Headliner **\$164⁹⁹**
- 49588** 86-96 Roof Panel Headliner **\$164⁹⁹**



1984-1996 TOP STORAGE

These Hardtop Storage Covers are exact reproductions of the originals. They fit on the corners of your top and protect it when it's in storage.

- 34080** 84-85 Hardtop Storage Bracket Covers - Black - 85E **\$30⁹⁹**
- 34081** 85-89 Hardtop Storage Bracket Covers - Black - 85L **\$30⁹⁹**
- 34082** 90-96 Hardtop Storage Bracket Covers - Black **\$30⁹⁹**
- 40533** 84-96 Hardtop Storage Lever Assembly - Coupe **\$45⁹⁹**



1984-1996 ROOF PANEL SOLARSHADE

Protect your Corvette from the sun's heat, glare and UV rays, with Roof Panel Solarshades! Ingenious static-cling film applies to your Corvette's glass roof panel in minutes. Install and remove at any time without modifications! Unique dot-matrix, static-cling vinyl lasts for years.

- 21568** 84-96 Roof Panel Solarshade **\$34⁹⁹**
- 21673** 84-96 Roof Panel Solarshade - Perforated **\$34⁹⁹**



1984-1996 EMBROIDERED TOP BAGS

These Embroidered Top Bags feature your choice of embroidered C4 Logo. Made of durable, heavyweight interior vinyl, they have a Velcro® closure and a soft, felt-like inner surface for maximum protection.

- 41618** 84-96 Embroidered Top Bags - w/ 84-90 Logo **\$109⁹⁹**
- 41619** 84-96 Embroidered Top Bags - w/ 91-96 Logo **\$109⁹⁹**



1984-1996 TOP BAGS

Enjoy the breeze without the worries of scratching your top panel. These Top Bags feature Velcro® closures and special mounting-bracket cutouts for easy mounting in the rear storage area of your Corvette.

- X2037** 84-96 Top Bag - Black **\$50⁹⁹**



1984-1996 ROOF PANEL ANTI-SQUEAK KIT

Eliminate the squeaks and rattles with these easy to install, adhesive-backed pads. Retro-fit for 1984-1991 or replacement for 1992-1996.

- 41798** 84-96 Roof Panel Anti-Squeak Kit..... **\$14⁹⁹**



You have a choice when it comes to weatherstrip for your C4 Corvette.

We carry Weatherstrip Components and Kits in three different materials, each material offering its own features and advantages. Choose the material that's right for your needs!

USA-Made EPDM* Rubber

When **QUALITY counts...** Get the look and feel of original Latex weatherstrip with the superior durability of EPDM Rubber. USA weatherstrip formula has the soft and supple feel of original style latex weatherstrip. Includes a 5 Year Warranty!

- EPDM Boasts Longer Life Span Over Original Latex Weatherstrip
- Dipped Latex Finish for Superior Appearance Out of the Package
- Made in America - Supports American Workers
- Includes a 5-Year Replacement Warranty

BEST Choice for the Quality Discerning Consumer.

Import EPDM* Sponge Rubber

- Provides an Economical Alternative to USA & Latex
- EPDM Boasts Longer Life Span Over Original Latex Weatherstrip
- Includes 2-Year Replacement Warranty

BEST Choice for the Value Conscious Consumer.

*EPDM — Ethylene Propylene Diene Monomer

Latex Replica Weatherstrip

- Material Originally Used by GM
- Excellent Finish
- More Malleable for Ease of Installation and a Tight Seal

WEATHERSTRIP KITS

Save Money with Premium Weatherstrip Kits!

We offers complete Weatherstrip Kits in your choice of materials. Remove the guess work and save money on all the weatherstrip components you need.

Weatherstrip Kits provide the Best Value in Weatherstrips for your Corvette.

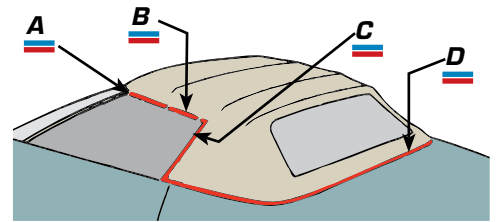
The
BEST VALUE
in Weatherstrip

Available in:

 — Import EPDM
 — USA EPDM

See Kits **#44626**
and **#X2186** for
Import EPDM Pieces.

Kit **#50518** includes all
pieces in USA EPDM.



1986-96 Softtop Weatherstrip

1986-96 Softtop Weatherstrip Kit - USA

The Softtop WS Kit includes all items in the 1986-96 Softtop Weatherstrip Diagram.

50518 86-96 7 pc Softtop WS Kit - USA **\$229⁹⁹**

1986-96 Softtop WS Components - USA

A. 4115	86-96	Front Side Rail - LH	\$67⁹⁹
A. 4116	86-96	Front Side Rail - RH	\$67⁹⁹
B. 4139	86-96	Center Side Rail - LH	\$44⁹⁹
B. 4141	86-96	Center Side Rail - RH	\$44⁹⁹
C. 4193	86-96	Rear Side Rail - LH	\$52⁹⁹
C. 4194	86-96	Rear Side Rail - RH	\$52⁹⁹
D. 50515	86-96	Rear Bow	\$88⁹⁹
E. 52336	86-96	Convertible Top Roof Rails - 6 pc	\$199⁹⁹

1986-96 Softtop WS Kits - IMPORT

Choose either the 6-piece Kit (includes items A, B and C) or the 7-piece Kit (includes all items in the 1986-96 Softtop Weatherstrip Diagram) for your 1986-96 Softtop.

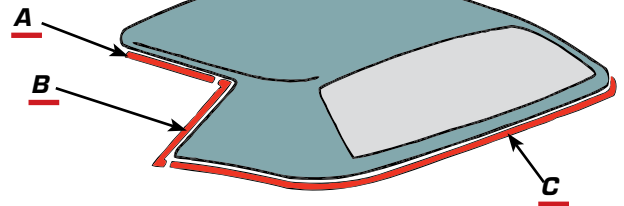
44626 6 pc Kit - A, B & C in Softtop Diagram - Import **\$190⁹⁹**
X2186 7 pc Kit - All items in Softtop Diagram - Import **\$229⁹⁹**

1986-96 Convertible Body WS Components - IMPORT

D. **4196** 86-96 Rear Bow **\$35⁹⁹**

Available in:

 — USA EPDM



1986-96 Hardtop Weatherstrip

1986-96 Hardtop WS Kit - USA

The 5-piece Hardtop WS Kit includes all items in the 1986-96 Hardtop Weatherstrip Diagram.

50524 86-96 5 pc Hardtop WS Kit - USA **\$569⁹⁹**

1986-96 Hardtop WS Components - USA

A. 4212	86-96	Horizontal - LH	\$126⁹⁹
A. 4213	86-96	Horizontal - RH	\$126⁹⁹
B. 4218	86-96	Vertical - LH	\$117⁹⁹
B. 4219	86-96	Vertical - RH	\$117⁹⁹
C. 4222	86-96	Hardtop Rear	\$150⁹⁹



WARNING: Cancer and Reproductive Harm -
www.P65Warnings.ca.gov

(833) 4TopFlight | TopFlightAutomotive.com





#34500 1986-1996
Convertible Body Lock Pillar
Weatherstrip - Front LH - USA



#34492 1984-1989
Dash To Door Seal - RH - USA

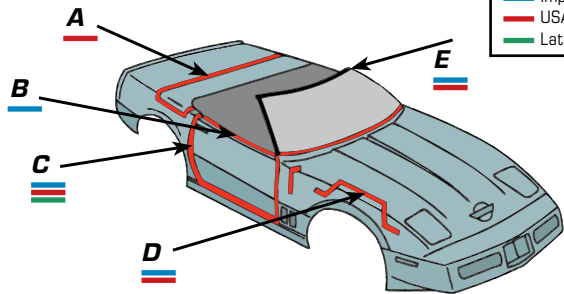


#X34802 1990-1996
Door Mains
Weatherstrip - Import



#X2187 1984-1996
Roof & Window Front
Weatherstrip - Import

Available in:
 Import EPDM
 USA EPDM
 Latex



1986-96 Convertible Body Weatherstrip

1986-96 Convertible Body WS Kits - USA

50519 86-89 4 pc Convertible Body WS Kit - USA **\$289⁹⁹**

50520 90-96 4 pc Convertible Body WS Kit - USA **\$289⁹⁹**

The Convertible 4-Piece Kit includes Roof & Side Window Front, Door Mains (pair) & Deck Lid.

50520 90-96 4 pc Convertible Body WS Kit - USA **\$289⁹⁹**

1986-96 Convertible Body WS Components - USA

A. 4195 86-96 Deck Lid **\$133⁹⁹**

C. 2266 84-89 Door Main Weatherstrip - LH **\$62⁹⁹**

C. 2267 84-89 Door Main Weatherstrip - RH **\$62⁹⁹**

C. 3355 90-96 Door Main Weatherstrip - LH **\$71⁹⁹**

C. 3356 90-96 Door Main Weatherstrip - RH **\$71⁹⁹**

D. 22482 84-87 Fender Seals - 2 req'd **\$30⁹⁹**

E. 4101 86-96 Roof & Window Front **\$124⁹⁹**

Convertible Body Lock Pillars - USA

34500 86-96 Convertible Body Lock Pillar WS - Front - LH **\$65⁹⁹**

34501 86-96 Convertible Body Lock Pillar WS - Front - RH **\$65⁹⁹**

34502 86-96 Convertible Body Lock Pillar WS - Rear - LH **\$56⁹⁹**

34503 86-96 Convertible Body Lock Pillar WS - Rear - RH **\$56⁹⁹**

Dash to Door Seal - USA

34491 84-89 Seal - Dash to Door - LH **\$64⁹⁹**

34492 84-89 Seal - Dash to Door - RH **\$64⁹⁹**

34493 90-96 Seal - Dash to Door - LH **\$64⁹⁹**

34494 90-96 Seal - Dash to Door - RH **\$64⁹⁹**

1986-96 Convertible Body WS Kits - IMPORT

The Convertible 4-Piece Kit includes Roof & Side Window Front, Door Mains (pair) & Deck Lid.

X2285 86-89 4 pc Convertible Body WS Kit - Import **\$259⁹⁹**

X2185 90-96 4 pc Convertible Body WS Kit - Import **\$259⁹⁹**

1986-96 Convertible Body WS Components - IMPORT

B. 2303 84-96 Outer Door Seal - LH **\$30⁹⁹**

B. 2305 84-96 Outer Door Seal - RH **\$30⁹⁹**

B. X2177 84-96 Outer Door Seals - LH & RH - pr **\$61⁹⁹**

C. 42947 84-89 Door Main Weatherstrips - Repro - pr **\$61⁹⁹**

C. X34802 90-96 Door Main Weatherstrips - Repro - pr **\$64⁹⁹**

D. X2242 88-96 Fender Seals - 2 req'd **\$16⁹⁹**

E. X2187 86-96 Front Roof / Pillar **\$74⁹⁹**

1986-96 Convertible Body WS Components - LATEX

C. 34612 90-96 Door Main Latex Weatherstrips - pr **\$197⁹⁹**

E. 34609 84-96 Roof & Window Front Latex - ea **\$183⁹⁹**



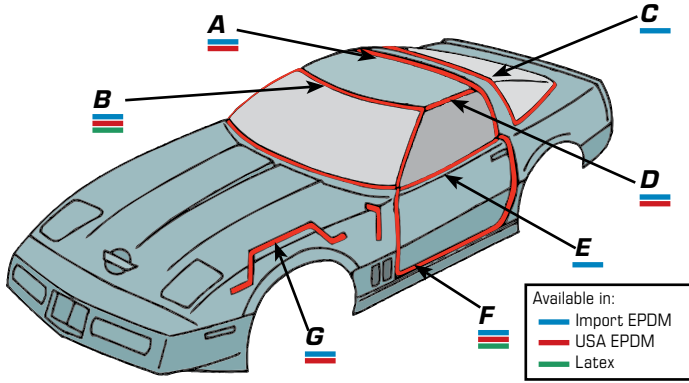
WEATHERSTRIP TOOLS & ADHESIVES

32914 Weatherstrip Adhesive - Black **\$13⁹⁹**

32915 Weatherstrip Adhesive - Yellow **\$11⁹⁹**

22605 Weatherstrip Installation Tool Kit - 4 pc **\$28⁹⁹**





1984-96 Coupe Body Weatherstrip

1984-96 Coupe Body WS Kits - USA

The 6-piece Coupe Body WS Kit Includes: Roof/Side Window Front, Roof/Side Window Rear, Roof Panel Sides, & Door Mains. Does not include Rear Window. Order additional pieces separately as needed.

50516	84-89	6 pc Coupe Weatherstrip Kit - USA	\$369 ⁹⁹
50517	90-96	6 pc Coupe Weatherstrip Kit - USA	\$339 ⁹⁹

1984-96 Coupe Body WS Components - USA

A. 50514	84-96	Roof & Window Rear	\$125 ⁹⁹
B. 4101	84-96	Roof and Window Front	\$124 ⁹⁹
C. 52335	84-96	Rear Window w/ Molded Corners	\$159 ⁹⁹
D. 4104	84-96	Roof Side Rail - LH	\$47 ⁹⁹
D. 4106	84-96	Roof Side Rail - RH	\$47 ⁹⁹
F. 2266	84-89	Door Main Weatherstrip - LH	\$62 ⁹⁹
F. 2267	84-89	Door Main Weatherstrip - RH	\$62 ⁹⁹
F. 3355	90-96	Door Main Weatherstrip - LH	\$71 ⁹⁹
F. 3356	90-96	Door Main Weatherstrip - RH	\$71 ⁹⁹
G. 22482	84-87	Fender Seals - 2 req'd	\$30 ⁹⁹

ADDITIONAL COUPE WEATHERSTRIP COMPONENTS

46615	84-96	Roof Side Rail Weatherstrip Retainers & Front Window Protectors - 4 pc set - IMPORT	\$94 ⁹⁹
34491	84-89	Seal - Dash to Door - LH - USA	\$64 ⁹⁹
34492	84-89	Seal - Dash to Door - RH - USA	\$64 ⁹⁹
34493	90-96	Seal - Dash to Door - LH - USA	\$64 ⁹⁹
34494	90-96	Seal - Dash to Door - RH - USA	\$64 ⁹⁹
51769	84-96	Seal - Front Side Inner Panel	\$3 ⁹⁹
51441	84-96	Windshield Glass WS Retainer - Top - USA	\$64 ⁹⁹
34499	84-96	Roof Side Rail WS Retainer RH - USA	\$70 ⁹⁹
51403	84-96	Right Front Lift Off Panel - Side - RH	\$194 ⁹⁹
50377	84-96	Right Front Lift Off Panel - Right Rear B Pillar	\$584 ⁹⁹
50378	84-96	Right Front Lift Off Panel - Side - LH	\$121 ⁹⁹
51402	84-96	Sealing Strip - Front Side Door Window - Outer - LH	\$114 ⁹⁹
51357	84-96	Sealing Strip - Front Side Door Window - Outer - RH	\$82 ⁹⁹
K1488	84-96	Weatherstrip Retainer Kit - Front - 6 pc	\$2 ⁹⁹
K1489	84-96	Weatherstrip Retainer Kit - Rear - 2 pc	\$2 ⁹⁹

1984-96 Coupe Body WS Kits - IMPORT

The 7-piece Coupe Body WS Kit Includes: Roof/Side Window Front, Roof/Side Window Rear, Roof Panel Sides, Door Mains & Rear Window. Order additional pieces separately as needed.

X2284	84-89	7 pc Coupe Weatherstrip Kit - Import	\$369 ⁹⁹
X2184	90-96	7 pc Coupe Weatherstrip Kit - Import	\$369 ⁹⁹

1984-96 Coupe Body WS Components - IMPORT

A. 4102	84-96	Roof & Side Window Rear	\$101 ⁹⁹
B. X2187	84-96	Roof & Side Window Front	\$74 ⁹⁹
C. X2172	84-96	Rear Window	\$71 ⁹⁹
D. 34799	84-96	Roof Side Rail - pr	\$71 ⁹⁹
E. 2303	84-96	Outer Door Seal - LH	\$30 ⁹⁹
E. 2305	84-96	Outer Door Seal - RH	\$30 ⁹⁹
E. X2177	84-96	Outer Door Seal - pr	\$61 ⁹⁹
F. 42947	84-89	Door Main Weatherstrip - pr	\$61 ⁹⁹
F. X34802	90-96	Door Main Weatherstrip - pr	\$64 ⁹⁹
G. X2242	88-96	Fender Seals - 2 req'd	\$16 ⁹⁹

1984-96 Coupe Body WS Components - LATEX

B. 34609	84-96	Front Roof & Side Windows - Front	\$183 ⁹⁹
C. 34608	84-96	Roof & Window - Rear	\$172 ⁹⁹
D. 34613	84-96	Roof Side Rail	\$132 ⁹⁹
F. 34612	90-96	Door Main Weatherstrips	\$197 ⁹⁹



1984-1996 COUPE REAR WINDOW WEATHERSTRIP

The coupe Rear Window Weatherstrip was originally designed by GM in two pieces that were bonded together in the corners. Over time this design has often led to air and water leaks as the bonds break and the weatherstrip separates into two pieces.

We offer two designs of the Coupe Rear Window Weatherstrip. The original design is offered in Import Weatherstrip line under part **#X2172** and includes upgraded adhesive in order to maintain the corner bond longer.

Also available is an upgraded version in the USA made weatherstrip line under part **#52335**. This improved product was designed, engineered, and manufactured right here in the USA. This design eliminates the bonded corners by using a one piece molded corner. This design is more durable and will last longer than the original design Coupe Rear Window Weatherstrip.



WARNING: Cancer and Reproductive Harm - www.P65Warnings.ca.gov

(833) 4TopFlight | TopFlightAutomotive.com





WHEEL AND TIRE PACKAGES

Buying a wheel and tire package brings the convenience of the tire shop directly to your door. These kits come complete with four wheels, tires, and necessary hardware to go from your door-step to installed without ever leaving your driveway - all you need is a jack and lug wrench. You save time and money with mounted wheel and tire packages as labor to mount and balance is included in the kit price. All wheels are checked for trueness prior to mounting and the tires carry the full manufacturer warranty.

C4 GRAND SPORT AND ZR1



- 57195** 88-96 C4 GS Gloss Black w/ Mac. Lip/Nitto NT555 G2
Wheels 17x9.5 - 56 mm, Tires 275/40/17 **\$1601⁹⁹**
- 57196** 88-96 C4 ZR1 Chrome/Nitto NT555 G2
Wheels 17x9.5 - 56 mm, Tires 275/40/17 **\$1771⁹⁹**
- 57197** 88-96 C4 ZR1 Silver/Nitto NT555 G2
Wheels 17x9.5 - 56 mm, Tires 275/40/17 **\$1611⁹⁹**
- 57198** 88-96 C4 ZR1 Polished/Nitto NT555 G2
Wheels 17x9.5 - 56 mm, Tires 275/40/17 **\$1631⁹⁹**

C6 ZR1



- 57157** 88-96 C6 ZR1 Chrome/Nitto NT555 G2
Wheels 17x9.5 - 56 mm, Tires 275/40/17 **\$1851⁹⁹**
- 57158** 88-96 C6 ZR1 Black w/ Red Stripe/Nitto NT555 G2
Wheels 17x9.5 - 56 mm, Tires 275/40/17 **\$1651⁹⁹**
- 57159** 88-96 C6 ZR1 Satin Black/Nitto NT555 G2
Wheels 17x9.5 - 56 mm, Tires 275/40/17 **\$1603⁹⁹**

C5 Y2K



- 57148** 88-96 C5 Y2K Deep Dish Chrome/Nitto NT555 G2
Wheels 17x9.5 - 56 mm, Tires 275/40/17 **\$1703⁹⁹**
- 57149** 88-96 C5 Y2K Deep Dish Black Mac. Face/Nitto NT555 G2
Wheels 17x9.5 - 56 mm, Tires 275/40/17 **\$1479⁹⁹**
- 57150** 88-96 C5 Y2K Deep Dish Black w/ Mac. Lip/Nitto NT555 G2
Wheels 17x9.5 - 56 mm, Tires 275/40/17 **\$1503⁹⁹**

C7 Z06



- 57160** 88-96 C7 Z06 Gunmetal/Nitto NT555 G2
Wheels 17x9.5 - 56 mm, Tires 275/40/17 **\$1651⁹⁹**
- 57161** 88-96 C7 Z06 Satin Black/Nitto NT555 G2
Wheels 17x9.5 - 56 mm, Tires 275/40/17 **\$1651⁹⁹**
- 57162** 88-96 C7 Z06 Chrome/Nitto NT555 G2
Wheels 17x9.5 - 56 mm, Tires 275/40/17 **\$1851⁹⁹**

C5 Z06



- 57151** 88-96 C5 Z06 Chrome/Nitto NT555 G2
Wheels 17x9.5 - 56 mm, Tires 275/40/17 **\$1803⁹⁹**
- 57152** 88-96 C5 Z06 Black w/ M. Lip/Nitto NT555 G2
Wheels 17x9.5 - 56 mm, Tires 275/40/17 **\$1547⁹⁹**

C7 Z51



- 57163** 88-96 C7 Z51 Chrome/Nitto NT555 G2
Wheels 17x9.5 - 56 mm, Tires 275/40/17 **\$2051⁹⁹**
- 57164** 88-96 C7 Z51 Satin Black/Nitto NT555 G2
Wheels 17x9.5 - 56 mm, Tires 275/40/17 **\$1603⁹⁹**
- 57165** 88-96 C7 Z51 Satin Black w/ M. Face/Nitto NT555 G2
Wheels 17x9.5 - 56 mm, Tires 275/40/17 **\$1651⁹⁹**
- 57166** 88-96 C7 Z51 Black w/ M. Face & Red Stripe
Wheels 17x9.5 - 56 mm, Nitto NT555 G2 275/40/17 **\$1611⁹⁹**

C6 Z06



- 57153** 88-96 C6 Z06 Chrome/Nitto NT555 G2
Wheels 17x9.5 - 56 mm, Tires 275/40/17 **\$1803⁹⁹**
- 57154** 88-96 C6 Z06 Black/Nitto NT555 G2
Wheels 17x9.5 - 56 mm, Tires 275/40/17 **\$1603⁹⁹**
- 57155** 88-96 C6 Z06 Black w/ Red Stripe/Nitto NT555 G2
Wheels 17x9.5 - 56 mm, Tires 275/40/17 **\$1619⁹⁹**
- 57156** 88-96 C6 Z06 Black w/ M. Face/Nitto NT555 G2
Wheels 17x9.5 - 56 mm, Tires 275/40/17 **\$1603⁹⁹**





C5 Y2K

- 57173** 88-96 C5 Y2K Chrome/Michelin Pilot Sport A/S 4
Wheels - (2) 17x8.5 - 58 mm, (2) 18x9.5 - 65 mm
Tires - (2) 245/45/17, (2) 275/40/18..... **\$2208⁹⁹**
- 57174** 88-96 C5 Y2K Deep Dish Chrome/Michelin Pilot Sport A/S 4
Wheels - (2) 17x8.5 - 58 mm, (2) 18x9.5 - 65 mm
Tires - (2) 255/40/17, (2) 285/30/18..... **\$2112⁹⁹**
- 57175** 88-96 C5 Y2K Deep Dish Black Mac. Face/
Michelin Pilot Sport A/S 4
Wheels - (2) 17x9.5 - 54 mm, (2) 18x10.5 - 65 mm
Tires - (2) 255/40/17, (2) 285/35/18..... **\$1862⁹⁹**
- 57176** 88-96 C5 Y2K Deep Dish Gloss Black Mac. Face/
Michelin Pilot Sport A/S 4
Wheels - (2) 17x9.5 - 54 mm, (2) 18x10.5 - 65 mm
Tires - (2) 255/40/17, (2) 285/35/18..... **\$1882⁹⁹**



C5 Z06

- 57177** 88-96 C5 Z06 Chrome/Michelin Pilot Sport A/S 4
Wheels - (2) 17x9.5 - 54 mm, (2) 18x10.5 - 65 mm
Tires - (2) 255/40/17, (2) 285/35/18..... **\$2122⁹⁹**
- 57178** 88-96 C5 Z06 Black w/ Machined Lip
Michelin Pilot Sport A/S 4
Wheels - (2) 17x9.5 - 54 mm, (2) 18x10.5 - 65 mm
Tires - (2) 255/40/17, (2) 285/35/18..... **\$1932⁹⁹**



C6 BASE

- 57179** 88-96 C6 Chrome w/ Machined Lip/Michelin Pilot Sport A/S 4
Wheels - (2) 17x8.5 - 56 mm, (2) 18x9.5 - 58 mm
Tires - (2) 245/45/17, (2) 275/40/18..... **\$2158⁹⁹**
- 57180** 88-96 C6 Gloss Black/Michelin Pilot Sport A/S 4
Wheels - (2) 17x8.5 - 56 mm, (2) 18x9.5 - 58 mm
Tires - (2) 245/45/17, (2) 275/40/18..... **\$2118⁹⁹**



C6 Z06

- 57181** 88-96 C6 Z06 Chrome/Michelin Pilot Sport A/S 4
Wheels - (2) 17x9.5 - 54 mm, (2) 18x10.5 - 65 mm
Tires - (2) 255/40/17, (2) 285/35/18..... **\$2132⁹⁹**
- 57182** 88-96 C6 Z06 Gloss Black/Michelin Pilot Sport A/S 4
Wheels - (2) 17x9.5 - 54 mm, (2) 18x10.5 - 65 mm
Tires - (2) 255/40/17, (2) 285/35/18..... **\$1982⁹⁹**
- 57183** 88-96 C6 Z06 Gloss Black with Red Stripe
Michelin Pilot Sport A/S 4
Wheels - (2) 17x9.5 - 54 mm, (2) 18x10.5 - 65 mm
Tires - (2) 255/40/17, (2) 285/35/18..... **\$2002⁹⁹**
- 57184** 88-96 C6 Z06 Black w/ Machined Face
Michelin Pilot Sport A/S 4
Wheels - (2) 17x9.5 - 54 mm, (2) 18x10.5 - 65 mm
Tires - (2) 255/40/17, (2) 285/35/18..... **\$1942⁹⁹**



C6 ZR1

- 57185** 88-96 C6 ZR1 Chrome/Michelin Pilot Sport A/S 4
Wheels - (2) 17x9.5 - 54 mm, (2) 18x10.5 - 65 mm
Tires - (2) 255/40/17, (2) 285/35/18..... **\$2142⁹⁹**
- 57186** 88-96 C6 ZR1 Gloss Black with Red Stripe
Michelin Pilot Sport A/S 4
Wheels - (2) 17x9.5 - 54 mm, (2) 18x10.5 - 65 mm
Tires - (2) 255/40/17, (2) 285/35/18..... **\$1982⁹⁹**
- 57187** 88-96 C6 ZR1 Satin Black/Michelin Pilot Sport A/S 4
Wheels - (2) 17x9.5 - 54 mm, (2) 18x10.5 - 65 mm
Tires - (2) 255/40/17, (2) 285/35/18..... **\$1962⁹⁹**



C7 Z06

- 57188** 88-96 C7 Z06 Gunmetal/Michelin Pilot Sport A/S 4
Wheels - (2) 17x9.5 - 54 mm, (2) 18x10.5 - 65 mm
Tires - (2) 255/40/17, (2) 285/35/18..... **\$1982⁹⁹**
- 57189** 88-96 C7 Z06 Satin Black
Michelin Pilot Sport A/S 4
Wheels - (2) 17x9.5 - 54 mm, (2) 18x10.5 - 65 mm
Tires - (2) 255/40/17, (2) 285/35/18..... **\$1942⁹⁹**
- 57190** 88-96 C7 Z06 Chrome/Michelin Pilot Sport A/S 4
Wheels - (2) 17x9.5 - 54 mm, (2) 18x10.5 - 65 mm
Tires - (2) 255/40/17, (2) 285/35/18..... **\$2152⁹⁹**



C7 Z51

- 57191** 88-96 C7 Z51 Chrome/Michelin Pilot Sport A/S 4
Wheels - (2) 17x9.5 - 54 mm, (2) 18x10.5 - 65 mm
Tires - (2) 255/40/17, (2) 285/35/18..... **\$2251⁹⁹**
- 57192** 88-96 C7 Z51 Satin Black/ Michelin Pilot Sport A/S 4
Wheels - (2) 17x9.5 - 54 mm, (2) 18x10.5 - 65 mm
Tires - (2) 255/40/17, (2) 285/35/18..... **\$1932⁹⁹**
- 57193** 88-96 C7 Z51 Satin Black with Machined Face
Michelin Pilot Sport A/S 4
Wheels - (2) 17x9.5 - 54 mm, (2) 18x10.5 - 65 mm
Tires - (2) 255/40/17, (2) 285/35/18..... **\$1902⁹⁹**
- 57194** 88-96 C7 Z51 Satin Black with Machined Face & Red Stripe
Michelin Pilot Sport A/S 4
Wheels - (2) 17x9.5 - 54 mm, (2) 18x10.5 - 65 mm
Tires - (2) 255/40/17, (2) 285/35/18..... **\$1982⁹⁹**



WARNING: Cancer and Reproductive Harm -
www.P65Warnings.ca.gov





GRAND SPORT



CHROME ZR1



SILVER ZR1



POLISHED ZR1

1988-1996 GRAND SPORT WHEELS

- 53506** 88-96 Grand Sport Wheel Set - Staggered Fitment - 4 pc
(2) 17x9.5 - 56 mm, (2) 17x11 - 50 mm.....**\$769⁹⁹**
- 53507** 88-96 Grand Sport Wheel Set - 4 pc - 17x9.5 - 56 mm**\$734⁹⁹**
- 53414** 88-96 Grand Sport Wheel - Black - 17x9.5 - 56 mm.....**\$198⁹⁹**
- 53402** 88-96 Grand Sport Wheel - Black - 17x11 - 50 mm**\$203⁹⁹**

1988-1996 CHROME ZR1 WHEELS

- 53508** 88-96 ZR1 Wheel Set - Chrome - Staggered Fitment - 4 pc
(2) 17x9.5 - 56 mm, (2) 17x11 - 50 mm..... **\$884⁹⁹**
- 53509** 88-96 ZR1 Wheel Set - Chrome - 4 pc - 17x9.5 - 56 mm**\$970⁹⁹**
- 53411** 88-96 ZR1 Wheel - Chrome - 17x9.5 - 56 mm..... **\$264⁹⁹**
- 53400** 88-96 ZR1 Wheel - Chrome - 17x11 - 50 mm.....**\$271⁹⁹**

1988-1996 SILVER ZR1 WHEELS

- 53510** 88-96 ZR1 Wheel Set - Silver - Staggered Fitment - 4 pc**\$820⁹⁹**
(2) 17x9.5 - 56 mm, (2) 17x11 - 50 mm
- 53511** 88-96 ZR1 Wheel Set - Silver - 4 pc - 17x9.5 - 56 mm.....**\$759⁹⁹**
- 53413** 88-96 ZR1 Wheel - Silver - 17x9.5 - 56 mm**\$187⁹⁹**
- 53403** 88-96 ZR1 Wheel - Silver - 17x11 - 50 mm**\$214⁹⁹**

1988-1996 POLISHED ZR1 WHEELS

- 53512** 88-96 ZR1 Wheel Set - Polished - Staggered Fitment - 4 pc ...**\$815⁹⁹**
(2) 17x9.5 - 56 mm offset, (2) 17x11 - 50 mm
- 53513** 88-96 ZR1 Wheel Set - Polished - 4 pc - 17x9.5 - 56 mm.....**\$779⁹⁹**
- 53412** 88-96 ZR1 Wheel - Polished - 17x9.5 - 56 mm**\$202⁹⁹**
- 53401** 88-96 ZR1 Wheel - Polished - 17x11 - 50 mm**\$224⁹⁹**



Each wheel includes a matching center cap.

Matching lug nuts and locking lugs included with the purchase of any wheel set.

Hardware not included with single wheel purchases.



1984-1987 WHEEL ADAPTER KIT

These lightweight aluminum adapters allow you to use 17" OEM wheels and tires on your 1984-1987 Corvette. Set includes four adapters, 20 deep lug nuts (for the adapters) and instructions.

- 22110** 84-87 Wheel Adapter Kit**\$213⁹⁹**





C5 CHROME



C5 BLACK / MACHINED FACE



GLOSS BLACK/MACHINED LIP



GLOSS BLACK/RIVETS

C5 STYLE Y2K CHROME WHEELS FOR 88-96 CORVETTES

- 53514** 88-96 C5 Style Y2K Wheel Set - Chrome - Staggered - 4 pc (2) 17x8.5 - 58 mm, (2) 18x9.5 - 65 mm **\$899⁹⁹**
- 53515** 88-96 C5 Style Y2K Wide Wheel Set - Chrome - Staggered - 4 pc (2) 17x9.5 - 54 mm, (2) 18x10.5 - 56 mm **\$929⁹⁹**
- 53404** 88-96 C5 Style Y2K Wheel - Chrome - 17x8.5 - 58 mm..... **\$234⁹⁹**
- 53443** 88-96 C5 Style Y2K Wheel - Chrome - 18x9.5 - 65 mm **\$262⁹⁹**
- 53416** 88-96 C5 Style Y2K Deep Dish Wheel - Chrome - 17x9.5 - 54 mm **\$212⁹⁹**
- 53430** 88-96 C5 Style Y2K Deep Dish Wheel - Chrome - 18x10.5 - 56 mm **\$281⁹⁹**



C5 Z06 CHROME



GLOSS BLACK/MACHINED LIP



C5 Z06 STYLE WHEELS FOR 88-96 CORVETTES

- 53518** 88-96 C5 Z06 Style Wheel Set - Chrome - 4 pc (2) 17x9.5 - 54 mm, (2) 18x10.5 - 56 mm..... **\$939⁹⁹**
- 53519** 88-96 C5 Z06 Style Wheel Set - Gloss Black w/ Machined Lip - 4 pc (2) 17x9.5 - 54 mm, (2) 18x10.5 - 56 mm **\$749⁹⁹**
- 53409** 88-96 C5 Z06 Wheel - Chrome - 17x9.5 - 54 mm..... **\$237⁹⁹**
- 53427** 88-96 C5 Z06 Wheel - Chrome - 18x10.5 - 56 mm..... **\$268⁹⁹**
- 53408** 88-96 C5 Z06 Wheel - Gloss Black w/ Machined Lip - 17x9.5 - 54 mm **\$173⁹⁹**
- 53426** 88-96 C5 Z06 Wheel - Gloss Black w/ Machined Lip - 18x10.5 - 56 mm..... **\$199⁹⁹**

C5 STYLE DEEP DISH WHEELS FOR 88-96 CORVETTES

- 53516** 88-96 C5 Deep Dish Wheel Set - Black w/ Machined Face 4 pc - (2) 17x9.5 - 54 mm, (2) 18x10.5 - 56 mm **\$717⁹⁹**
- 53517** 88-96 C5 Deep Dish Wheel Set - Gloss Blk /Machined Lip - 4 pc (2) 17x9.5 - 54 mm, (2) 18x10.5 - 56 mm..... **\$740⁹⁹**
- 53423** 88-96 C5 Deep Dish Wheel - Chrome - 17x9.5..... **\$260⁹⁹**
- 53453** 88-96 C5 Deep Dish Wheel - Chrome - 18x9.5..... **\$252⁹⁹**
- 53419** 88-96 C5 Deep Dish Wheel - Black w/ Machined Face 17x9.5 - 54 mm **\$156⁹⁹**
- 53433** 88-96 C5 Deep Dish Wheel - Black w/ Machined Face 18x10.5 - 56 mm..... **\$185⁹⁹**
- 53415** 88-96 C5 Deep Dish Wheel - Gloss Black w/ Machined Lip 17x9.5 - 54 mm **\$173⁹⁹**
- 53454** 88-96 C5 Deep Dish Wheel - Gloss Black w/ Machined Lip 18x9.5 **\$185⁹⁹**
- 53429** 88-96 C5 Deep Dish Wheel - Gloss Black w/ Machined Lip 18x10.5 - 56 mm..... **\$198⁹⁹**
- 53434** 88-96 C5 Style Wheel - Gloss Black Face w/ Rivets, w/ Stainless Lip - 18x10.5 - 56 mm..... **\$212⁹⁹**
- 53450** 88-96 C5 Style Wheel - Gloss Black Face w/ Rivets, w/ Stainless Lip - 18x9.5 - 65 mm..... **\$200⁹⁹**



#48174 1984-1996

Chrome Wheel Lug Nuts, Locks, & Valve Stems Kit



WARNING: Cancer and Reproductive Harm - www.P65Warnings.ca.gov

(833) 4TopFlight | TopFlightAutomotive.com





1984-1996
Corvette **PARTS**



1984-1996
Corvette **INTERIORS**



1984-1996
Corvette **ACCESSORIES**



1984-1996
Corvette **WHEELS**

Call or go online today to see a complete product line and to place your order!

WHEELS (CONTINUED)



C6 5-SPOKE CHROME



C6 5-SPOKE GLOSS BLACK

C6 5-SPOKE STYLE WHEELS FOR 88-96 CORVETTES

53520	88-96 C6 5 Spoke Wheel Set - Chrome Retrofit (2) 17x8.5 - 56 mm, (2) 18x9.5 - 58 mm	\$869⁹⁹
53522	88-96 C6 5 Spoke Wheel Set - Gloss Black Retrofit (2) 17x8.5 - 56 mm, (2) 18x9.5 - 58 mm	\$747⁹⁹
53405	88-96 C6 Wheel - Chrome - 17x8.5 - 56 mm.....	\$224⁹⁹
53407	88-96 C6 Wheel - Chrome - 17x9.5 - 54 mm.....	\$224⁹⁹
53447	88-96 C6 Wheel - Chrome - 18x9.5 - 58 mm.....	\$224⁹⁹
53406	88-96 C6 Wheel - Gloss Black - 17x8.5 - 56 mm.....	\$177⁹⁹
53420	88-96 C6 Wheel - Gloss Black - 17x9.5 - 54 mm	\$177⁹⁹
53451	88-96 C6 Wheel - Gloss Black - 18x9.5 - 58 mm	\$198⁹⁹



1984-1987 WHEEL ADAPTER KIT

These lightweight aluminum adapters allow you to use 17" OEM wheels and tires on your 1984-1987 Corvette. Set includes four adapters, 20 deep lug nuts (for the adapters) and instructions.

22110	84-87 Wheel Adapter Kit	\$213⁹⁹
--------------	-------------------------------	---------------------------



#48174 1984-1996

Chrome Wheel Lug Nuts, Locks, & Valve Stems Kit





C6 Z06 SPLIT 5-SPOKE CHROME



C6 Z06 SPLIT 5-SPOKE GL. BLACK



C6 ZR1 STYLE CHROME



C6 ZR1 GL. BLACK/RED STRIPE



GLOSS BLACK W/ RED STRIPE



MACHINED FACE/BL. POCKET



C6 ZR1 STYLE SATIN BLACK



C6 SPYDER CHROME

C6 Z06 STYLE WHEELS FOR 88-96 CORVETTES

- 53523** 88-96 C6 Z06 Split 5 Spoke Wheel Set - Chrome - (2) 17x9.5 - 54 mm, (2) 18x10.5 - 56 mm..... **\$1094⁹⁹**
- 53524** 88-96 C6 Z06 Split 5-Spoke Wheel Set - Gloss Black (2) 17x9.5 - 54 mm, (2) 18x10.5 - 56 mm..... **\$909⁹⁹**
- 53526** 88-96 C6 Z06 Split 5-Spoke Wheel Set - Gloss Black w/ Red Stripe (2) 17x9.5 - 54 mm, (2) 18x10.5 - 56 mm..... **\$989⁹⁹**
- 53528** 88-96 C6 Z06 Split 5-Spoke Wheel Set - Machined Face w/ Black Pocket (2) 17x9.5 - 54 mm, (2) 18x10.5 - 56 mm..... **\$740⁹⁹**
- 53410** 88-96 C6 Z06 Wheel - Chrome - 17x9.5 - 54 mm..... **\$237⁹⁹**
- 53444** 88-96 C6 Z06 Wheel - Chrome - 18x9.5 - 58 mm..... **\$249⁹⁹**
- 53428** 88-96 C6 Z06 Wheel - Chrome - 18x10.5 - 56 mm..... **\$254⁹⁹**
- 53417** 88-96 C6 Z06 Wheel - Gloss Black - 17x9.5 - 54 mm..... **\$187⁹⁹**
- 53445** 88-96 C6 Z06 Wheel - Gloss Black - 18x9.5 - 58 mm..... **\$214⁹⁹**
- 53431** 88-96 C6 Z06 Wheel - Gloss Black - 18x10.5 - 56 mm..... **\$229⁹⁹**
- 53421** 88-96 C6 Z06 Wheel - Gloss Black w/ Red Stripe 17x9.5 - 54 mm..... **\$191⁹⁹**
- 53452** 88-96 C6 Z06 Wheel - Gloss Black w/ Red Stripe 18x9.5 - 58 mm..... **\$225⁹⁹**
- 53435** 88-96 C6 Z06 Wheel - Gloss Black w/ Red Stripe 18x10.5 - 56 mm..... **\$224⁹⁹**

- 53418** 88-96 C6 Z06 Wheel - Black w/ Machined Face 17x9.5 - 54 mm..... **\$197⁹⁹**
- 53446** 88-96 C6 Z06 Wheel - Black w/ Machined Face 18x9.5 - 58 mm..... **\$196⁹⁹**
- 53432** 88-96 C6 Z06 Wheel - Black w/ Machined Face 18x10.5 - 56 mm..... **\$209⁹⁹**

C6 ZR1 STYLE WHEELS FOR 88-96 CORVETTES

- 53529** 88-96 C6 ZR1 Wheel Set (2) 17x9.5 - 54 mm, (2) 18x10.5 - 56 mm..... **\$1003⁹⁹**
- 53531** 88-96 C6 ZR1 Wheel Set - Gloss Black w/ Red Stripe (2) 17x9.5 - 54 mm, (2) 18x10.5 - 56 mm..... **\$1003⁹⁹**
- 53533** 88-96 C6 ZR1 Wheel Set - Satin Black (2) 17x9.5 - 54 mm, (2) 18x10.5 - 56 mm..... **\$807⁹⁹**
- 53476** 88-96 C6 ZR1 Wheel - Chrome - 17x9.5 - 54 mm..... **\$249⁹⁹**
- 53400** 88-96 C6 ZR1 Wheel - Chrome - 17x11 - 57mm..... **\$271⁹⁹**
- 53485** 88-96 C6 ZR1 Wheel - Chrome - 18x10.5 - 56 mm..... **\$274⁹⁹**
- 53441** 88-96 C6 ZR1 Wheel - Chrome - 18x8.5 - 58 mm..... **\$274⁹⁹**
- 53475** 88-96 C6 ZR1 Wheel - Gloss Black w/ Red Stripe 17x9.5 - 54 mm..... **\$199⁹⁹**
- 53440** 88-96 C6 ZR1 Wheel - Gloss Black w/ Red Stripe 18x8.5 - 58 mm..... **\$219⁹⁹**
- 53484** 88-96 C6 ZR1 Wheel - Gloss Black w/ Red Stripe 18x10.5 - 56 mm..... **\$224⁹⁹**
- 53474** 88-96 C6 ZR1 Wheel - Satin Black - 17x9.5 - 54 mm..... **\$195⁹⁹**
- 53306** 88-96 C6 ZR1 Wheel - Satin Black - 18x8.5 - 56 mm..... **\$211⁹⁹**
- 53490** 88-96 C6 ZR1 Wheel - Satin Black - 18x8.5 - 58 mm..... **\$215⁹⁹**
- 53308** 88-96 C6 ZR1 Wheel - Satin Black - 18x10.5 - 56 mm..... **\$220⁹⁹**



Each wheel includes a matching center cap.

Matching lug nuts and locking lugs included with the purchase of any wheel set.

Hardware not included with single wheel purchases.



WARNING: Cancer and Reproductive Harm - www.P65Warnings.ca.gov





C7 Z06 SATIN BLACK



C7 ZR1 CHROME



C7 ZR1 SATIN BLACK



C7 Z06 CHROME



C7 Z06 GUNMETAL



C7 ZR1 MACHINED FACE



C7 ZR1 RED STRIPE

C7 Z06 STYLE WHEELS FOR 88-96 CORVETTES

- 53535** 88-96 C7 Z06 Wheel Set - Gunmetal
[2] 17x9.5 - 54 mm, [2] 18x10.5 - 56 mm.....**\$819⁹⁹**
- 53538** 88-96 C7 Z06 Wheel Set - Satin Black
[2] 17x9.5 - 54 mm, [2] 18x10.5 - 56 mm.....**\$789⁹⁹**
- 53541** 88-96 C7 Z06 Wheel Set - Chrome
[2] 17x9.5 - 54 mm, [2] 18x10.5 - 56 mm.....**\$1059⁹⁹**
- 53473** 88-96 C7 Z06 - Gunmetal - 17x9.5 - 54 mm**\$211⁹⁹**
- 53482** 88-96 C7 Z06 - Gunmetal - 18x10.5 - 56 mm.....**\$235⁹⁹**
- 53472** 88-96 C7 Z06 - Satin Black - 17x9.5 - 54 mm**\$211⁹⁹**
- 53481** 88-96 C7 Z06 - Satin Black - 18x10.5 - 56 mm.....**\$235⁹⁹**
- 53422** 88-96 C7 Z06 - Chrome - 17x9.5 - 54 mm.....**\$249⁹⁹**
- 53436** 88-96 C7 Z06 - Chrome - 18x10.5 - 56 mm.....**\$287⁹⁹**

C7 Z51 STYLE WHEELS FOR 88-96 CORVETTES

- 53544** 88-96 C7 Z51 Wheel Set - Chrome
[2] 17x9.5 - 54 mm, [2] 18x10.5 - 56 mm.....**\$1059⁹⁹**
- 53546** 88-96 C7 Z51 Wheel Set - Satin Black
[2] 17x9.5 - 54 mm, [2] 18x10.5 - 56 mm.....**\$819⁹⁹**
- 53548** 88-96 C7 Z51 Wheel Set - Satin Black w/ Machined Face
[2] 17x9.5 - 54 mm, [2] 18x10.5 - 56 mm.....**\$747⁹⁹**
- 53550** 88-96 C7 Z51 Wheel Set - Satin Black
w/ Machined Face & Red Stripe
[2] 17x9.5 - 54 mm, [2] 18x10.5 - 56 mm.....**\$834⁹⁹**
- 53478** 88-96 C7 Z51 Wheel - Chrome - 17x9.5 - 54 mm.....**\$299⁹⁹**
- 53487** 88-96 C7 Z51 Wheel - Chrome - 18x10.5 - 56 mm.....**\$274⁹⁹**
- 53477** 88-96 C7 Z51 Wheel - Satin Black - 17x9.5 - 54 mm.....**\$187⁹⁹**
- 53486** 88-96 C7 Z51 Wheel - Satin Black - 18x10.5 - 56 mm.....**\$198⁹⁹**
- 53479** 88-96 C7 Z51 Wheel - Satin Black
w/ Machined Face - 17x9.5 - 54 mm.....**\$192⁹⁹**
- 53488** 88-96 C7 Z51 Wheel - Satin Black
w/ Machined Face - 18x10.5 - 56 mm.....**\$209⁹⁹**
- 53425** 88-96 C7 Z51 Deep Dish Wheel - Black
w/ Machined Face & Red Stripe - 17x9.5 - 54 mm.....**\$195⁹⁹**
- 53439** 88-96 C7 Z51 Deep Dish Wheel - Black
w/ Machined Face & Red Stripe - 18x10.5 - 56 mm.....**\$227⁹⁹**



1984-1987 WHEEL ADAPTER KIT

These lightweight aluminum adapters allow you to use 17" OEM wheels and tires on your 1984-1987 Corvette. Set includes four adapters, 20 deep lug nuts (for the adapters) and instructions.

- 22110** 84-87 Wheel Adapter Kit**\$213⁹⁹**

Each wheel includes a matching center cap.

Matching lug nuts and locking lugs included with the purchase of any wheel set.

Hardware not included with single wheel purchases.





#24100 1984-85
Wheel Center Cap



#24101 1986-90
Wheel Center Cap



#24102 1987
Wheel Center Cap



#24109 1991-95
Wheel Center Cap



#24207
1996 Collector's Edition
Wheel Center Cap



#34505
1993 40th Anniv.
Wheel Center Cap



#48222
Valve Stem Caps
(Theft-Deterrent)

CENTER CAPS, LUG NUTS & VALVE STEMS

24100	84-85	Black Center Cap	\$31⁹⁹
24101	86-90	Brushed Center Cap - Fits 86, 88 w/ 16" Wheels, and all 90	\$28⁹⁹
24102	87	Center Cap	\$31⁹⁹
24105	88-89	Center Cap - 35th Anniv. w/o Emblem	\$199⁹⁹
24109	91-95	Center Cap - Fits All 91-92 and 93-95 ZR1	\$31⁹⁹
24207	96	Center Cap - Collector's Edition	\$27⁹⁹
24104	88-89	Center Cap Emblem	\$31⁹⁹
34504	93-96	Center Cap w/ Emblem - Exc 40th & ZR1	\$31⁹⁹
34505	93	Center Cap w/ Emblem - 40th Anniv	\$31⁹⁹
48177	88-89	Center Cap Lock Kit - Incl. 4 Lock Bolts, 1 Lock Key/Center Cap Removal Tool	\$96⁹⁹
24106	88-89	Center Cap Seal - 17" Wheels	\$3⁹⁹
48174	84-96	Hardware Kit - Chrome - Includes: 16 Lug Nuts, 4 Wheel Locks & 4 Chrome Valve Stems	\$33⁹⁹
50938	84	Lug Nut - Chrome - Replacement	\$1⁹⁹
48463	84	Lug Nut - Chrome SS Cap - GM Replacement	\$5⁹⁹
24107	85-96	Lug Nuts - Exc 88-89 - uses Lug Nut caps - 5 pc set	\$7⁹⁹
23139	88-89	Lug Nut - 17" Wheels	\$1⁹⁹
30818	84-85	Lug Nut Cap - Black	\$2⁹⁹
30814	84-96	Lug Nut Cap - Chrome	\$2⁹⁹
30819	86-96	Lug Nut Cap - Gray	\$4⁹⁹
30820	88-96	Lug Nut Cap - Silver	\$2⁹⁹
34509	85-96	Lug Nut Covers - Chrome - 5 pc set - Fits 85-87, 88 w/ 16" wheels & 90-96	\$9⁹⁹
37954	85-96	Lug Nut Covers - Chrome - 20 pc set - Fits 85-87, 88 w/ 16" wheels & 90-96	\$40⁹⁹
43048	84-96	Wheel Locks - Chrome	\$15⁹⁹
43049	84-96	Valve Stem - Chrome	\$1⁹⁹
35793	84-96	Valve Stem - Long - 5 pc set	\$11⁹⁹
40009	84-96	Valve Stem Caps - C4 Logo - 4 pc set	\$15⁹⁹
48222		Valve Stem Caps - Theft-Deterrent - 4 pc set	\$33⁹⁹



#39815 1995-1996
Wiper Blade - RH



#34510 1984-1994
Wiper Arm - LH



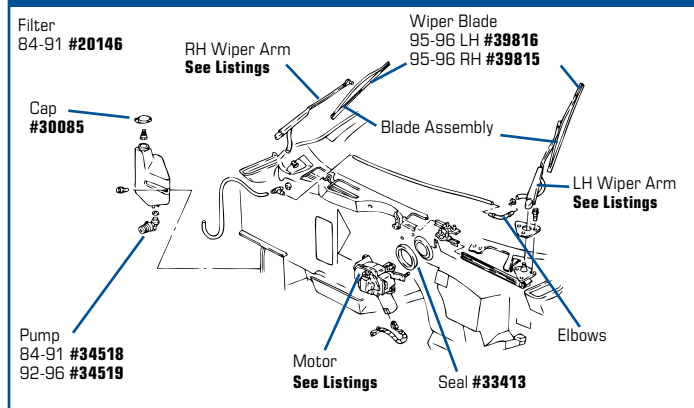
#30085 1984-1996
Washer Bottle Cap



#30069 1984-1991
Washer Pump

30085	84-96	Washer Fluid Bottle Cap	\$4⁹⁹
20146	84-91	Washer Fluid Reservoir Filter	\$11⁹⁹
47990	84-96	Washer Hose Tee	\$9⁹⁹
30069	84-91	Washer Pump - Replacement	\$27⁹⁹
34519	92-96	Washer Pump	\$57⁹⁹
34510	84-94	Wiper Arm - LH	\$113⁹⁹
34511	84-94	Wiper Arm - RH	\$106⁹⁹
39819	95-96	Wiper Arm - LH	\$106⁹⁹
39818	95-96	Wiper Arm - RH	\$106⁹⁹
39810	84-96	Wiper Arm Hose, Retainer & Spray Nozzle Assembly	\$23⁹⁹
35300	84-94	Wiper Arm Removal Tool	\$8⁹⁹
39816	95-96	Wiper Blade - LH	\$14⁹⁹
39815	95-96	Wiper Blade - RH	\$14⁹⁹
39812	84-91	Wiper Blade Stop	\$34⁹⁹
50954	88-96	Wiper Motor - Remanufactured	\$143⁹⁹
34516	88-96	Wiper Motor	\$187⁹⁹
33413	84-96	Wiper Motor Seal	\$3⁹⁹

1984-96 WINDSHIELD WIPERS



WARNING: Cancer and Reproductive Harm -
www.P65Warnings.ca.gov





1997-2004 INTERIORS

1997-2004 ORIGINAL LEATHER/VINYL SEAT COVERS

Just like they come from the factory, but for a lot less money! CA Original Leather/Vinyl seat covers are correct in every detail.

- 4621_ 97-04 Sport Covers - 6 pc set\$1155⁹⁹
- 4624_ 97-04 Standard Covers - 4 pc set\$1029⁹⁹
- 4618_ 01-04 Z06 Covers - 4 pc set\$1155⁹⁹

1997-2004 100% LEATHER SEAT COVERS

CA gives you the original look and fit, but goes a step further by making these Seat Covers in all leather.

- 4622_ 97-04 Sport Covers - 6 pc set\$1243⁹⁹
- 4625_ 97-04 Standard Covers - 4 pc set\$1163⁹⁹
- 462292 98 Sport Covers - 6 pc set - Pace Yellow / Black\$1243⁹⁹
- 4617_ 01-04 Z06 Covers - 4 pc set\$1231⁹⁹

1997-2004 LEATHER-LIKE SEAT COVERS

Manufactured with the highest grade vinyl, these Leather-Like Seat Covers offer you an economical alternative to original seat covers, yet look just like leather!

- 4620_ 97-04 Sport Covers - 6 pc set\$813⁹⁹
- 4623_ 97-04 Standard Covers - 4 pc set\$803⁹⁹



1997-2004 LEATHER/VINYL AND 100% LEATHER EMBROIDERED SEAT COVERS

Sport: Corvette Script on backrest

Z06: Z06 Logo on headrest

50th Anniversary: Corvette Script on backrest and 50th Logo on headrest

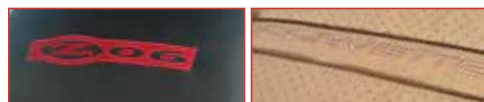
Commemorative Edition Sport: Commemorative Script on backrest and silver C5 Logo on headrest

Commemorative Edition Z06: silver C5 Logo on headrest

Leather-Like Seats do not include embroidery.

With 50th Anniversary & Commemorative Logos

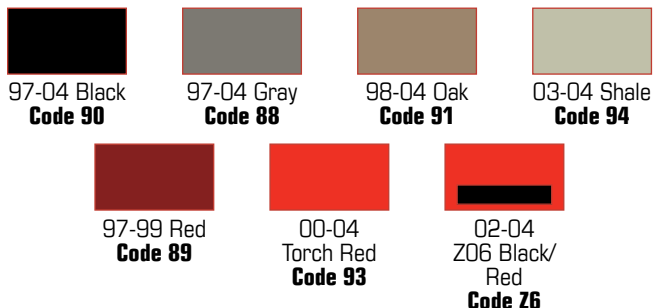
- 422394 03 50th Anniversary Shale Sport\$1155⁹⁹
- 422494 03 50th Anniversary Shale Sport - 100% Leather\$1243⁹⁹
- 428394 04 Commemorative Edition Shale Sport\$1155⁹⁹
- 428494 04 Commemorative Edition Shale Sport -100% Leather\$1243⁹⁹
- 461690 04 Commemorative Edition Z06 - Black\$1144⁹⁹
- 461990 04 Commemorative Edition Z06 - Black -100% Leather\$1231⁹⁹



1997-2004 Color Codes

Once you know your 2-digit color code, figuring out how to order any CA interior product is easy. All part numbers for interior items, where multiple colors are available, consist of 4 digits followed by a blank space.

Select all the items you want to order & add your 2-digit color code to each.



Find 1997-2004 Interior Dye on page 119.

EMBROIDERED ITEMS ARE NON-RETURNABLE

Items requiring use of an embroidery code to order are considered custom made and therefore are **NON-RETURNABLE**. Please confirm your fitment and logo choice with your preferred dealer or one of our sales agents **before** placing your order. All workmanship and quality warranties still apply to CA manufactured embroidered items.



EMBROIDERED ITEMS ARE NON-RETURNABLE. See page 114.



#43870E

Add one of the part numbers below to your order to receive the embroidery of your choice.



4360 Black C5 Logo



4361 Red C5 Logo



4362 Silver C5 Logo

General Motors trademarks used under license to CA.

1997-2004 EMBROIDERED LEATHER SEAT COVERS

CA Leather Seat Covers are now available with the C5 emblem embroidered on the headrest in your choice of black, red or silver. Officially licensed by GM, these 1997-2004 Embroidered Seat Covers are available in Standard or Sport configuration. Sets include all seat cover pieces needed to do both passenger and driver seats. Foam not included.

Sport Seat Covers

Leather / Vinyl

- 462190E** 97-04 Black
- 462188E** 97-04 Gray
- 462189E** 97-99 Red
- 462191E** 98-04 Oak
- 462193E** 00-04 Torch Red

100% Leather

- 462290E** 97-04 Black
- 462288E** 97-04 Gray
- 462289E** 97-99 Red
- 462291E** 98-04 Oak
- 462293E** 00-04 Torch Red

- 1997-2004 Leather / Vinyl Set **\$1286⁹⁹**
- 1997-2004 100% Leather Set **\$1308⁹⁹**

Standard Seat Covers

Leather / Vinyl

- 462490E** 97-04 Black
- 462488E** 97-04 Gray
- 462489E** 97-99 Red
- 462491E** 98-04 Oak
- 462493E** 00-04 Torch Red

100% Leather

- 462590E** 97-04 Black
- 462588E** 97-04 Gray
- 462589E** 97-99 Red
- 462591E** 98-04 Oak
- 462593E** 00-04 Torch Red

- 1997-2004 Leather / Vinyl Set **\$1144⁹⁹**
- 1997-2004 100% Leather Set **\$1286⁹⁹**

Custom Two-Tone

Sport

- 43870E** Black & Red
- 43871E** Black & Gray
- 43872E** Black & Oak
- 43873E** Black & Torch Red
- 43874E** Black & Yellow

Standard

- 43860E** Black & Red
- 43861E** Black & Gray
- 43862E** Black & Oak
- 43863E** Black & Torch Red
- 43864E** Black & Yellow

- 1997-2004 Embroidered Custom Leather Set Sport **\$1460⁹⁹**
- 1997-2004 Embroidered Custom Leather Set Standard **\$1460⁹⁹**

1997-2004 CUSTOM LEATHER SEAT COVERS

Two-Tone Design in Sport or Standard Styles!

These Seat Covers feature 100% Leather construction along with your choice of 5 head-turning color combinations. Seat Cover Skirts are done in Black, while the Inserts are available in Gray, Firethorn, Oak, Torch Red or Yellow. Sport Seats include Corvette script embroidered on backrest. Sets include all seat cover pieces needed to do both passenger and driver seats. Foam not included.



#43872 Black & Oak Sport

Sport

- 43870** Black & Red
- 43871** Black & Gray
- 43872** Black & Oak
- 43873** Black & Torch Red
- 43874** Black & Yellow

Standard

- 43860** Black & Red
- 43861** Black & Gray
- 43862** Black & Oak
- 43863** Black & Torch Red
- 43864** Black & Yellow

- 1997-2004 Sport Custom Leather Seat Covers - Set **\$1351⁹⁹**
- 1997-2004 Standard Custom Leather Seat Covers - Set **\$1225⁹⁹**

SEAT COVER INSTALLATION SERVICE

Take the hassle out of recovering your worn and dirty seats! Simply send your seats to us, and we'll do the rest. Our installation experts will ensure that your new seat covers are installed correctly. And the workmanship is guaranteed for a full year! Seat covers, foam and any necessary hardware must be purchased separately.

- 15007** 97-04 Sport Seat Cover Installation Labor only **\$442⁹⁹**
- 15008** 97-04 Standard Seat Cover Installation Labor only **\$329⁹⁹**



WARNING: Cancer and Reproductive Harm - www.P65Warnings.ca.gov

(833) 4TopFlight | TopFlightAutomotive.com





39123 Sport Seat Foam Set



39125 Standard Back



39124 Standard Bottom

1997-2004 SPORT & STANDARD SEAT FOAM

All pieces for both styles accurately reproduced by CA! This foam can be purchased by the piece or in complete sets, 4-piece for Standard and 6-piece for Sport. For both styles, the back bolster pockets are mesh reinforced to help prevent tear out, a common problem on the original foam. Correct size, shape and foam density. Correct hook fasteners are embedded in the foam, not glued on the surface. Molded in trim lines on the bottom pieces to aid in trimming for power seat controls.

39120 Sport - Bottom	\$81⁹⁹
39121 Sport - Back - Inner	\$64⁹⁹
39122 Sport - Back - Outer	\$64⁹⁹
39123 Sport - 6 pc set	\$383⁹⁹
39124 Standard - Bottom	\$81⁹⁹
39125 Standard - Back	\$91⁹⁹
39126 Standard - 4 pc set	\$347⁹⁹

#28707



#28708

SEAT HARDWARE

28707 97-04 Seat Adjust Control Bezel - LH	\$50⁹⁹
28708 97-04 Seat Adjust Control Bezel - RH	\$50⁹⁹
20240 97-04 Seat Back Release Bezel - Black	\$5⁹⁹
20241 97-04 Seat Back Release Bezel - Light Gray	\$5⁹⁹
55196 97-04 Seat Back Release Bezel - Satin	\$35⁹⁹
20242 98-04 Seat Back Release Bezel - Light Oak	\$5⁹⁹
20243 00-04 Seat Back Release Bezel - Torch Red	\$5⁹⁹
37729 97-04 Seat Belt Extender - 12"	\$37⁹⁹
43629 97-04 Front Seat Lumbar Bladder	\$152⁹⁹
51451 97-04 Seat Back Adjust Control Handle - LH	\$12⁹⁹
51452 97-04 Seat Back Adjust Control Handle - RH	\$12⁹⁹
30096 97-04 Sport Seat Cover Fasteners 16 pc	\$4⁹⁹
54231 97-04 Power Seat Adjust Switch - Standard Seat	\$121⁹⁹



#37729



#43629

The Seat Track Repair Kit (#0207) is for C5 power seats that suffer from rocking or sliding. These shims replace the original shims that deteriorate and wear, solving the problem without replacing the expensive original seat tracks. Each Kit does 1 seat.



#0207

0207 97-04 Seat Track Repair Shim Kit	\$22⁹⁹
--	--------------------------

DOES YOUR C5 SUFFER FROM ROCKING OR SLIDING POWER SEATS?

The Seat Track Bracket Repair Kit (#37268) is milled from billet steel and is much stronger than the original piece. Includes shims.



#37268

37268 97-04 Seat Track Bracket Repair Kit - Driver	\$75⁹⁹
37271 97-04 Seat Track Bracket Repair Kit - Passenger	\$75⁹⁹
37273 97-04 Seat Track Clevis Repair Kit	\$152⁹⁹

1997-2004 PADDED NEOPRENE SEAT PROTECTORS

Features black skirting with your color choice for the bottom insert, back insert and headrest finished off with an embroidered C5 emblem. They slip directly over your C5's stock seat (standard or sport) in minutes.



43670 97-04 Neoprene Seat Covers - Black / Black	\$264⁹⁹
43671 97-04 Neoprene Seat Covers - Black / Gray	\$264⁹⁹
43672 97-04 Neoprene Seat Covers - Black / Red	\$264⁹⁹



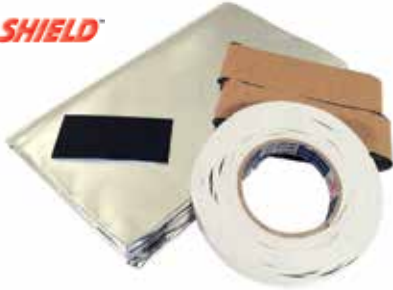
1997-2004 SEAT PROTECTORS

Constructed with secure-fit elastic, each cover easily slips on or off in a flash. Fits standard and sport Corvette seats. .

51523 97-04 Seat Covers - Tan **\$81⁹⁹**



AcoustiSHIELD™



ACOUSTISHIELD DOOR NOISE DAMPENING KIT

AcoustiShield's Door Noise Dampening Kit eliminates noise and vibration from your Vette's outer door skin. Includes six (6) self-adhesive 2" X 24" Dynamat Damper strips and illustrated instructions.

51977 97-04 AcoustiShield Door Noise Dampening Kit..... **\$62⁹⁹**



1997-2004 DOOR PANELS

These C5 Door Panels are manufactured as two pieces, just like the originals. The top section is black, and the bottom section is dyed to your interior color. For Shale Panels, the entire door will be dyed. Panels are assembled and include felt and three top mounting clips. Panels do not include: speaker grille screen, door pull handle & bracket, lamp, defroster duct, door handle screw plug, Styrofoam insert or switch panel.

4482 97-04 Door Panel - LH..... **\$751⁹⁹**
4483 97-04 Door Panel - RH..... **\$751⁹⁹**



#42949 1997-2004 Door Panel Reflector

#43641 1997-2004 Door Panel/Headliner Retainer Set

#42948 1997-2004 Door Panel Pull Handle Screw Plug



EMBROIDERED ITEMS ARE NON-RETURNABLE. See page 114.

1997-2004 LEATHER ARMREST PADS

Add comfort and beauty to your C5 door panels. These genuine leather armrests attach easily to your door panel with double-sided tape, and are available in six interior colors. Choose from embroidered or non-embroidered. Sold in pairs.

Find your 2-digit COLOR CODE on page 114.

4798 97-04 Armrests - pr **\$113⁹⁹**
4799 97-04 Armrests w/ Embroidered Logo & Script - pr **\$142⁹⁹**
479800 03-04 Armrests - Parchment - pr **\$113⁹⁹**
479900 03-04 Armrests - Parchment w/ Logo & Script - pr **\$142⁹⁹**

1997-2004 DOOR PANEL HARDWARE

43641 97-04 Door Panel/Headliner Retainer - Male 5 pc set **\$7⁹⁹**
43642 97-04 Door Panel/Headliner Retainer - Female 5 pc set **\$8⁹⁹**
43623 97-04 Door Panel Mount Repair Retainer **\$19⁹⁹**
2306 97-04 Door Seals Outer 2pc Kit - Coupe **\$89⁹⁹**
42948 97-04 Door Panel Pull Handle Screw Plug **\$3⁹⁹**
42949 97-04 Door Panel Reflector..... **\$68⁹⁹**
42939 97-04 Door Panel Reflector - Reproduction..... **\$25⁹⁹**
55200 97-04 Door Panel Reflector Covers - Polished..... **\$89⁹⁹**
9004 97-04 Door Panel Sound Deadening Pad - LH..... **\$38⁹⁹**
9005 97-04 Door Panel Sound Deadening Pad - RH..... **\$38⁹⁹**
K1523 97-04 Inner Door Panel Retainer & Grommet..... **\$14⁹⁹**

1997-2004 DOOR PULL ACCENT WRAP

Added protection and styling for your C5's interior. Door Pull Accent Wraps Velcro into place and are available in six colors to match the C5's interior. Sold in pairs.



44756 97-04 Black **44758** 98-04 Oak
44757 97-04 Gray **44761** 98 Yellow
44759 97-99 Red **44760** 00-04 Torch Red

1997-2004 Door Pull Accent Wrap..... **\$32⁹⁹**



WARNING: Cancer and Reproductive Harm - www.P65Warnings.ca.gov





1997-2004 SHIFT BOOTS WITH RETAINER

Accentuate your C5's interior with these leather shift boots! A perfect match to the rest of your interior. Find your 2-digit COLOR CODE on page 114.

4868_ 97-04 Shift Boot - 6 Speed..... \$71⁹⁹



38606 98 Shift Boot - Upper - Pace Car \$189⁹⁹



1997-2004 PARK BRAKE BOOTS WITH RETAINER

Available in black, dark shale and all original C5 interior colors! Includes wire frame retainer and hook style fastener on side. Custom colors and combinations available, call for details. Find your 2-digit COLOR CODE on page 114.

4628_ 97-04 Park Brake Boot \$72⁹⁹

1997-2004 LEATHER CONSOLE LIDS

Replace your worn console lid with one of these replacement console lids. Simply remove your old lid from the hinges and attach your new lid in its place. Available in original interior colors

Find your 2-digit COLOR CODE on page 114..

4869_ 97-04 Leather Console Lids \$154⁹⁹



1997-2004 VETTE REST GLOVE BOX PROTECTORS

Made with finest quality leather and craftsmanship, These Vette Rests are a great accent to your Corvette's glove box lid. Add a layer of comfort and protection to your interior. In your choice of embroidered Z06, C5 or 50th Anniversary logos. Instructions included.

- 46762 97-04 Vette Rest - Black w/ Red Logo..... \$130⁹⁹
- 46761 97-04 Vette Rest - Black w/ Silver Logo \$130⁹⁹
- 46765 97-99 Vette Rest - Red w/ Black Logo..... \$130⁹⁹
- 46766 97-04 Vette Rest - Gray w/ Black Logo..... \$130⁹⁹
- 46763 97-04 Vette Rest - Light Oak w/ Black Logo \$130⁹⁹
- 46764 97-04 Vette Rest - Light Oak w/ Red Logo \$130⁹⁹
- 46760 00-04 Vette Rest - Torch Red w/ Black Logo \$130⁹⁹
- 46767 01-04 Vette Rest - Black w/ Z06 Logo \$130⁹⁹
- 46748 03 Vette Rest - Shale w/ 50th Anniversary Logo..... \$142⁹⁹

General Motors trademarks used under license to CA.



1997-2004 EMBROIDERED LEATHER CONSOLE LIDS

These Embroidered Leather C5 Console Lids not only enhance the look and feel of your interior, they also install quickly and easily. Simply remove your old lid from the hinges and attach your new embroidered lid in its place. Available in original interior colors with your choice of logo and logo color as listed below.

- 46800 97-04 Black w/ Silver Logo..... \$229⁹⁹
- 46801 97-04 Black w/ Red Logo \$229⁹⁹
- 46803 97-04 Gray w/ Black Logo \$229⁹⁹
- 46806 97-99 Red w/ Silver Logo..... \$229⁹⁹
- 46804 98-04 Oak w/ Black Logo \$229⁹⁹
- 46805 98-04 Oak w/ Red Logo \$229⁹⁹
- 46810 98 Pace Yellow w/ Black Logo \$229⁹⁹
- 46807 00-04 Torch Red w/ Black Logo \$229⁹⁹
- 46802 01-04 Black w/ Z06 Logo..... \$229⁹⁹
- 46809 01-04 Torch Red w/ Z06 Logo \$229⁹⁹
- 46808 03 Dark Shale w/ 50th Anniversary Logo \$229⁹⁹

EMBROIDERED ITEMS ARE NON-RETURNABLE. See page 114.



INTERIOR DYES

CA's Interior Dye produces accurate color and solid coverage on leather, vinyl, fiberglass, plastic and metal.

Available in a 12-oz. Aerosol spray or Quart. Use your interior Color Code to complete the part number.



DYE SURFACE PREP

Use Surface Prep to remove dirt, oils and residue before priming. Fast drying and ready to paint in minutes.

ADHESION PROMOTER

Promotes strong, even adhesion of topcoat material when repairing or refinishing plastics. Also works on most flexible or rigid plastics on painted surfaces.

PRIMER

For best results, finish off your prep work with quality primer. Promotes even paint coverage and a better finish.

SPRAY ADHESIVE

High-tack Interior Spray Adhesive is easy to work with and produces a strong bond between hardparts and materials.



#472790



#472890



#461591



#461491



#461391

1997-2004 TAILLIGHT PANEL COVERS

- 4613 97-04 Taillight Panel Covers - Coupe - 3 pc\$176⁹⁹
- 4614 98-00 Taillight Panel Covers - Conv - 3 pc\$176⁹⁹
- 4615 01-03 Taillight Panel Covers - Conv - 1 pc\$108⁹⁹
- 472790 99-00 Taillight Panel Covers - Hardtop 3 pc Black\$178⁹⁹
- 472890 01-04 Taillight Panel Covers - Z06 1 pc Black\$178⁹⁹

INTERIOR DYE CLEAR COAT

Protect your reconditioning work for years to come with Interior Clear Coat. Covers your interior components with a smooth, protective finish and preserves your interior's color.

- 4319 Dye - 12 oz. Aerosol\$20⁹⁹
- 4321 Dye - Quart\$85⁹⁹
- UN432000 Primer - 12 oz. Aerosol\$20⁹⁹
- UN432100 Primer - Quart\$31⁹⁹
- UN49720 Interior Dye Adhesion Promoter\$32⁹⁹
- UN49721 Interior Dye Clear Coat\$32⁹⁹
- UN49722 Interior Dye Surface Prep\$22⁹⁹
- UN8568 Spray Adhesive\$30⁹⁹



#460588 1997-04 Gray Mass Back Front Carpet



#460593 2000-04 Torch Red Mass Back Front Carpet

1997-2004 COUPE MASS BACK CARPET SETS

Original style Carpet Sets for all 1997-2004 Corvette Coupes are now available in your choice of Fronts-Only, Rears-Only or Full Sets! Rear Carpet sets do not include the center, left and right taillight finish pieces - you must keep your existing pieces. All pieces are Mass Back Truvette Carpet just like what was used originally. Order by adding your color code to the 4-digit number below.

- 4604 97-04 Coupe Mass Back Carpet Set - Full\$671⁹⁹
- 4605 97-04 Coupe Mass Back Carpet Set - Front\$425⁹⁹
- 4606 97-04 Coupe Mass Back Carpet Set - Rear\$302⁹⁹
- 460494 03-04 Coupe Mass Back Carpet Set - Full - Shale\$671⁹⁹
- 460594 03-04 Coupe Mass Back Carpet Set - Front - Shale\$425⁹⁹
- 460694 03-04 Coupe Mass Back Carpet Set - Rear - Shale\$448⁹⁹

1998-2004 CONVERTIBLE MASS BACK CARPET SETS

- 4607 98-00 Convertible Mass Back Carpet Set - Full\$671⁹⁹
- 4612 01-03 Convertible Mass Back Carpet Set - Full\$717⁹⁹
- 461294 03-04 Convertible Mass Back Carpet Set - Full - Shale ..\$717⁹⁹

1999-2004 HARDTOP & Z06 MASS BACK CARPET SETS

- 472090 99-00 Hardtop Mass Back Carpet Set - Black\$671⁹⁹
- 472190 01-04 Z06 Mass Back Carpet Set - Black\$717⁹⁹



WARNING: Cancer and Reproductive Harm - www.P65Warnings.ca.gov





1997-2004 VELOURTEX MATS

The Velourtex line of floor mats was created by Lloyd to provide a value priced, high quality automotive floor mat with the availability of Lloyd's broad range of trademark, lifestyle and personalized embroidered options.

Features Include:

- » Premium nylon yarn
- » Velvet smooth texture
- » OEM matching colors
- » Matching woven binding
- » Custom fit mats for every vehicle
- » Multi-layer backing to protect original carpeting and to keep mats in place
- » Factory compatible mat anchoring devices

#50113



OAK



LIGHT SHALE



TORCH RED

50112	97-04	Black w/ C5 Gold Velourtex Mats	\$119⁹⁰
50111	97-04	Black w/ C5 Red Velourtex Mats	\$119⁹⁰
50110	97-04	Black w/ C5 Silver Velourtex Mats	\$119⁹⁰
50113	97-04	Gray w/ C5 Black Velourtex Mats	\$119⁹⁰
50114	97-04	Light Oak w/ C5 Black Velourtex Mats	\$119⁹⁰
50115	97-04	Light Shale w/ C5 Black Velourtex Mats	\$119⁹⁰
50116	97-04	Torch Red w/ C5 Black Velourtex Mats	\$119⁹⁰
50130	97-04	Black w/ C5 Gold Velourtex Cargo Mat - Coupe	\$154⁹⁰
50129	97-04	Black w/ C5 Red Velourtex Cargo Mat - Coupe	\$154⁹⁰
50128	97-04	Black w/ C5 Silver Velourtex Cargo Mat - Coupe	\$154⁹⁰
50132	98-04	Black w/ C5 Gold Velourtex Cargo Mat - Conv	\$154⁹⁰
50131	98-04	Black w/ C5 Silver Velourtex Cargo Mat - Conv	\$154⁹⁰
50133	98-04	Oak w/ C5 Black Velourtex Cargo Mat - Conv	\$154⁹⁰



#50110



#50111



#50112





1997-2004 LUXURY FLOOR & CARGO MATS

Keep your carpet as good as new with the finest floor mats made. Embroidered C5 or Z06 logo applique is embedded in the carpet and lasts nearly forever! Front Mats feature grommets for the floor mat retaining posts. Cargo Mats cover the entire area behind seats and have a matching logo.



TORCH
RED

FLOOR MATS w/ LOGO

41992 97-04 Black w/ Gold	42002 01-04 Black w/ Z06
27274 97-04 Black w/ Red	42003 01-04 Torch Red w/ Z06
25710 97-04 Black w/ Silver	42704 02-04 Black w/ Z06 405
40110 00-04 Torch Red w/ Black	42705 02-04 Torch Red w/ Z06 405

Luxury Floor Mats - Logo only - pr **\$138⁹⁰**

FLOOR MATS w/ LOGO & SCRIPT

46716 97-04 Black w/ Gold	46715 97-04 Black w/ Red
46714 97-04 Black w/ Silver	46723 03 Light Shale w/ Black

Luxury Floor Mats - Logo & Corvette Script - pr **\$156⁹⁰**

CARGO MATS w/ LOGO

COUPE

41993 97-04 Black w/ Gold	27278 97-04 Gray w/ Black
27277 97-04 Black w/ Red	40112 00-04 Torch Red w/ Black
25712 97-04 Black w/ Silver	

CONVERTIBLE

41994 98-04 Black w/ Gold	25718 98-99 Red w/ Black
25716 98-04 Black w/ Red	40111 00-04 Torch Red w/ Black
25713 98-04 Black w/ Silver	
25717 98-04 Gray w/ Black	

HARDTOP

42001 99-00 Black w/ Gold	42000 00 Torch Red w/ Black
41997 99-00 Black w/ Red	42004 01-04 Black w/ Z06
41995 99-00 Black w/ Silver	42005 01-04 Torch Red w/ Z06
41998 99-00 Gray w/ Black	42706 02-04 Black w/ Z06 405hp
41996 99-00 Oak w/ Black	42707 02-04 Torch Red w/ Z06 405hp
41999 99 Red w/ Black	

Luxury Cargo Mats - Logo only - pr **\$179⁹⁰**

CARGO MATS w/ LOGO & SCRIPT

CONVERTIBLE

46722 98-04 Black w/ Gold
46719 98-04 Black w/ Red
46718 98-04 Black w/ Silver
46726 03 Shale w/ Black

COUPE

46721 97-04 Black w/ Gold
46720 97-04 Black w/ Red
46717 97-04 Black w/ Silver
46725 03 Light Shale w/ Black

Luxury Cargo Mats - Logo & Corvette Script - pr **\$197⁹⁰**



BLACK



GRAY



SHALE



#46717



#46718



BLACK



SHALE



WARNING: Cancer and Reproductive Harm - www.P65Warnings.ca.gov

(833) 4TopFlight | TopFlightAutomotive.com





1997-2004 FLOOR MATS

These beautiful, color-matched Truette carpeted floor mats make a nice addition to your Corvette. They feature bound edges, non-skid rubber backing and an embroidered C5 or Z06 logo.

465690	97-04	Black w/ C5 logo - pr	\$139⁹⁹
465688	97-04	Gray w/ C5 logo - pr	\$139⁹⁹
465691	98-04	Oak w/ C5 logo - pr	\$139⁹⁹
42015	01-04	Black w/ Z06 logo - pr	\$144⁹⁹
42016	01-04	Torch Red w/ Z06 logo - pr	\$144⁹⁹



2003 MATS WITH 50TH ANNIVERSARY LOGO

46724	03	Floor Mats - Light Shale w/ 50th Anniv. Logo.....	\$138⁹⁹
46727	03	Coupe Cargo Mat - Light Shale w/ 50th Anniv. Logo..	\$179⁹⁹
46728	03	Conv. Cargo Mat - Light Shale w/ 50th Anniv. Logo..	\$179⁹⁹

Original Shale



Original Black



Refurbished Shale



Refurbished Black



1997-2004 BASIC BLACK ECONO MATS

A lightweight, economical version of the luxury mats. No logo.

47304	97-04	Floor Mats - pr	\$54⁹⁹
47312	97-04	Cargo Mats - Coupe - ea	\$65⁹⁹
47313	98-04	Cargo Mats - Conv. & Hardtop - ea	\$65⁹⁹

43639	97-04	Floor Mat Clip	\$5⁹⁹
--------------	-------	----------------	-------	-------------------------



1997-2004 SUN VISOR REFURBISHING SERVICE

Give Your Sun Visors a lift with our Sun Visor Refurbishment Service for 1997-2004 Corvettes. Simply send in your original visors and we'll completely disassemble them down to individual components which are cleaned as necessary.

Your visor is then remanufactured using a new substrate, liner, padding and outer material assembled with your original hardware, mirror and wiring. Your visors are returned to you looking like new, ready to be installed back in your Corvette.

No more floppy ends or brown dust falling out. Call to speak with one of our Sales Reps. **Shale fabric available for 2003-2004 Corvettes.**

90308	97-04	Sun Visor Refurbishing Service.....	\$133⁹⁹
--------------	-------	-------------------------------------	---------------------------

1997-2004 SUN VISOR RELATED

51481	97-04	Sun Visor Rod Bezel - LH.....	\$33⁹⁹
51482	97-04	Sun Visor Rod Bezel - RH.....	\$35⁹⁹
57215	97-04	Sun Visor Inner Bezel - LH.....	\$24⁹⁹
57216	97-04	Sun Visor Inner Bezel - RH.....	\$24⁹⁹
52330	97-04	Sun Visor Airbag Label Cover - OEM Fabric.....	\$22⁹⁹
38964	97-04	Sun Visor Retainer - Inboard.....	\$3⁹⁹





1997-2004 Sun Visors

1941 97-04 Sun Visors w/ Lighted Mirror - pr. \$156⁹⁹



8 YEAR
Warranty

1998-2004 CONVERTIBLE TOPS

Supplied by the Original Equipment Manufacturer so they're correct in every way. Made of Black or Light Oak Twillfast II material, or White Double-Texture Sailcloth Vinyl. All feature tempered glass, heat defroster and heat-sealed rear windows as original. Correct Black Lori Cloth Headliners also available.

- 28140 98-04 Convertible Top - Black \$669⁹⁹
- 28142 98-04 Convertible Top - Bright White \$532⁹⁹
- 28141 98-04 Convertible Top - Light Oak \$669⁹⁹
- 28143 98-99 Headliner - Black Lori Cloth Original \$199⁹⁹
- 28144 00-04 Headliner - Black Lori Cloth Original \$199⁹⁹
- 58209 98-04 Convertible Top Kit - Vinyl - Black \$449⁹⁹
- 46540 98-04 Convertible Top Hold Down Cables \$36⁹⁹



RAGGTOPP CLEANER & PROTECTANT

- UN0336 RaggTopp Fabric Top Cleaner and Protectant Set \$41⁹⁹
- UN0337 RaggTopp Fabric Top Cleaner \$14⁹⁹
- UN0338 RaggTopp Fabric Top Protectant \$26⁹⁹
- UN0339 RaggTopp Vinyl Top Protectant \$19⁹⁹
- UN0340 RaggTopp Vinyl Top Cleaner and Protectant Set \$34⁹⁹



1998-2004 CONVERTIBLE PROTECTOR CURTAIN

Prevent damage to your stowed convertible top with this easy-to-use and affordable solution! Simply attach with included Velcro for fast installation and removal.

42011 98-04 Convertible Protector Curtain \$32⁹⁹



Clear



Black

1998-2004 CONVERTIBLE TOP DECK LID PROTECTORS

Protect your decklid from scratches with one of these easy-to-install, static-cling Deck Lid Protectors.

- 41969 98-04 Convertible Top Deck Lid Protector - Clear \$26⁹⁹
- 41970 98-04 Convertible Top Deck Lid Protector - Black \$26⁹⁹



1997-2004 EMBROIDERED TOP BAGS

Enjoy the breeze without the worries of scratching your top panel. Velcro closures and convenient corner cutouts allow fast, easy storage to your rear mounting brackets. Also available without embroidery.

- 41620 97-04 Embroidered Top Bag - Black Logo \$109⁹⁹
- 41621 97-04 Embroidered Top Bag - Red Logo \$109⁹⁹
- 41622 97-04 Embroidered Top Bag - Silver Logo \$109⁹⁹
- X28135 97-04 Black - No Logo \$54⁹⁹



1997-2004 CARGO COVER LATCH REPAIR KIT

28440 97-04 Cargo Cover Latch Repair Kit \$16⁹⁹

WARNING: Cancer and Reproductive Harm - www.P65Warnings.ca.gov

(833) 4TopFlight | TopFlightAutomotive.com





1997-2004 PARTS

AIR INTAKE



#37965 1997-2001
Air Intake Temp. Sensor



#51075 1997-2004
Mass Airflow Sensor
Remanufactured



#37961 1997-2004
97-04 Air Cleaner Element



#37969 1997-2004
Air Cleaner Retainer



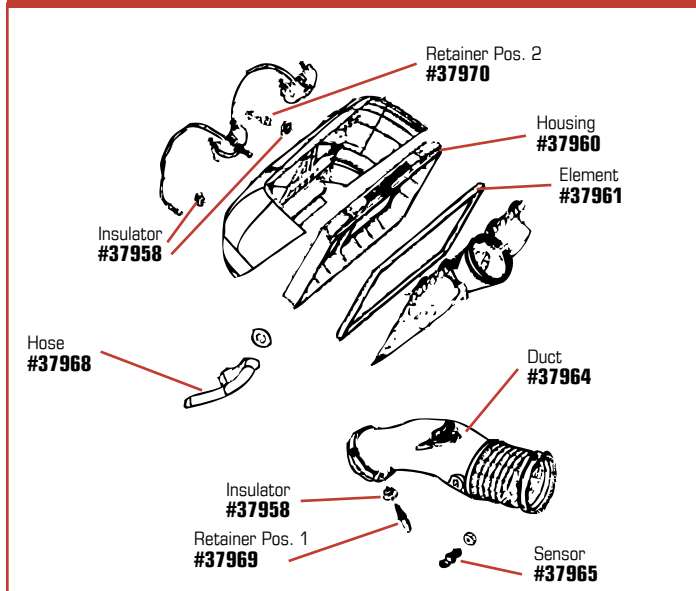
#37960 1997-2000
Air Cleaner Housing



1997-2004 AIR INTAKE

37961	97-04	Air Cleaner Element - Paper	\$21⁹⁹
51007	97-04	Air Cleaner Element	\$22⁹⁹
50452	97-04	Air Cleaner Element - K&N	\$86⁹⁹
37960	97-00	Air Cleaner Housing	\$160⁹⁹
37969	97-04	Air Cleaner Retainer - Position 1 - 2 req'd	\$6⁹⁹
37970	97-04	Air Cleaner Retainer - Position 2 - 2 req'd	\$4⁹⁹
51490	97-04	Air Cleaner Insulator	\$4⁹⁹
37958	97-04	Insulator - AC Housing & Duct	\$3⁹⁹
37965	97-00	Intake Air Temperature Sensor	\$23⁹⁹

1997-2004 AIR INTAKE



41707	97-00	Mass Air Flow Sensor - New	\$126⁹⁹
51089	01-04	Mass Air Flow Sensor - New	\$85⁹⁹
51075	97-00	Mass Air Flow Sensor - Remanufactured	\$108⁹⁹
51088	01-04	Mass Air Flow Sensor - Remanufactured	\$89⁹⁹
51090	02-04	Mass Air Flow Sensor - Remanufactured - Z06	\$139⁹⁹
X2404	97-04	Mass Air Flow Housing w/ Fin	\$40⁹⁹

1997-2004 HI-PERFORMANCE MASS AIR FLOW HOUSING

The quickest, easiest way to give your C5 some extra oomph. Boosts airflow by 55%, improving your engine's ability to breathe - providing up to 9 additional hp! Nylon construction provides cooler, denser air. Mounts directly to your stock mass air flow sensor. No programming or permanent modifications needed. Includes: O-ring seal set. Compatible with low-restriction air cleaners and exhaust upgrades.



X2404	97-04	Hi-Performance Mass Air Flow Housing	\$40⁹⁹
--------------	-------	--------------------------------------	-------	--------------------------

1997-2004 HI-PERFORMANCE THROTTLE BODY AIR COUPLER

Gain up to 4.5 horsepower for your 97-04 Vette by replacing the stock accordion-style throttle body air coupler with this high-performance coupler. Fabricated from a glossy, high-temperature silicone, the Hi-Performance Throttle Body Air Coupler helps smooth airflow and feeds the throttle body intake with an unobstructed, steady stream of air. Mounts with existing hardware in less than five minutes. Includes instructions.



X2438	97-04	Throttle Body Air Coupler - Black	\$49⁹⁹
--------------	-------	-----------------------------------	-------	--------------------------





BATTERY

1997-2004 BATTERY

37976	97-04	Battery Cable - Negative	\$93⁹⁹
37986	97-04	Battery Cable - Positive.....	\$109⁹⁹
37974	97-04	Battery Cable Clip - 3 req'd	\$5⁹⁹
37992	97-98	Battery Cable Cover - Positive at Junction Block	\$47⁹⁹
37972	97-04	Battery Cable Terminal Cover - Black - Negative.....	\$4⁹⁹
37973	97-04	Battery Cable Terminal Cover - Red - Positive	\$4⁹⁹
X2515	97-04	Battery Disconnect Switch.....	\$9⁹⁹
K1473	97-04	Battery Disconnect Switch Bolt.....	\$2⁹⁹
37979	97-04	Battery Heat Shield Bracket	\$29⁹⁹
37985	97-04	Battery Heat Shield Retainer #1	\$0⁹⁹
37977	97-04	Battery Heat Shield Retainer #2	\$3⁹⁹
30130	97-99	Battery Hold Down Clamp.....	\$4⁹⁹
37971	97-00	Battery Insulator	\$26⁹⁹
37982	97-04	Battery Tray.....	\$32⁹⁹
37987	97-04	Battery Tray Nut - 4 req'd.....	\$1⁹⁹
37983	97-04	Battery Tray Support.....	\$36⁹⁹
37984	97-04	Battery Tray to Support Bolt - 4 req'd.....	\$7⁹⁹
37981	97-04	Engine Wiring Harness Insulator	\$15⁹⁹
37975	97-02	Wiring Harness Grounding Stud	\$4⁹⁹
37988	97-04	Wiring Harness Junction Block Stud	\$4⁹⁹



1997-2004
Corvette **PARTS**



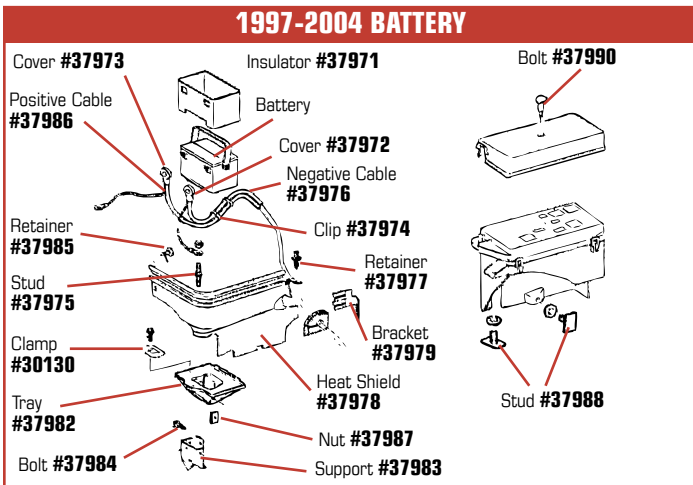
1997-2004
Corvette **INTERIORS**



1997-2004
Corvette **WHEELS**



1997-2004
Corvette **ACCESSORIES**



Call or go online today to see a complete product line and to place your order!

BRAKES



50733	97-03	Brake Fluid Sensor	\$12⁹⁹
38009	97-04	Brake Hose - Front	\$29⁹⁹
38005	97-04	Brake Hose - Rear	\$54⁹⁹
38007	97-04	Brake Hose Bracket - Front & Rear	\$5⁹⁹
30201	97-99	Brake Hose Copper Washer	\$0⁹⁹
38006	97-00	Brake Hose Fitting - Front & Rear	\$6⁹⁹
37998	97-98	Brake Pressure Modulator Valve - 98 w/o JAG	\$1917⁹⁹
37999	98-00	Brake Pressure Modulator Valve 98 w/ JAG Exc JL4, 99 w/ JL9 Exc. JL4	\$3140⁹⁹
38014	97-00	Brake Proportioning Valve - Rear - 99 Exc JL4	\$90⁹⁹
38015	97-02	Floor Panel Tunnel Front Brace - LH	\$98⁹⁹
38016	97-02	Floor Panel Tunnel Front Brace - RH	\$96⁹⁹
48171		Brake Fluid - D.O.T. 3	\$6⁹⁹
48172		Brake Fluid - D.O.T. 4	\$12⁹⁹

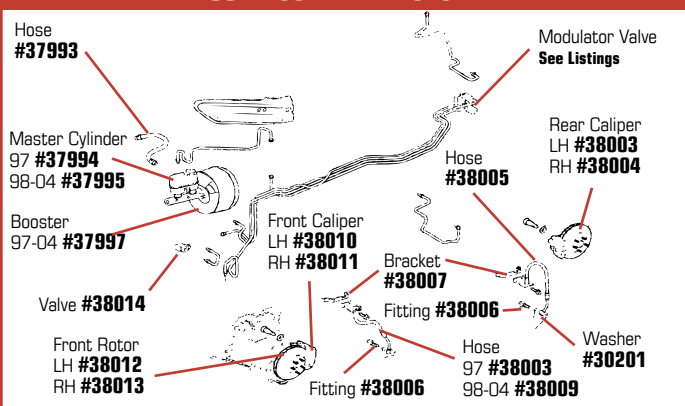
1997-2004 MASTER CYLINDER

37994	97	Master Cylinder	\$111⁹⁹
37995	98-04	Master Cylinder	\$131⁹⁹
34156	97-99	Master Cylinder Cap w/ Diaphragm	\$9⁹⁹
38022	97-04	Master Cylinder Fluid Level Sensor	\$13⁹⁹
38019	97	Master Cylinder Repair Kit	\$60⁹⁹
38020	98-04	Master Cylinder Repair Kit	\$109⁹⁹
38024	97-04	Master Cylinder Reservoir Kit	\$176⁹⁹
51047	97-04	Master Cylinder Bleeder Tool	\$24⁹⁹
38042	97-04	Brake Pedal - Automatic	\$105⁹⁹
38044	97-04	Brake Pedal - Manual	\$147⁹⁹
29949	97-99	Brake Pedal Bushing	\$2⁹⁹
38046	97-04	Brake Pedal Push Rod Pin	\$9⁹⁹
38631	97-04	Brake Pedal Support Bracket	\$255⁹⁹
37997	97-04	Power Brake Booster	\$540⁹⁹
51072	97-04	Power Brake Booster - Remanufactured	\$203⁹⁹
38018	97-04	Power Brake Booster Vacuum Check Valve Kit	\$23⁹⁹
37993	97-04	Power Brake Booster Vacuum Hose	\$29⁹⁹
49977	97-03	ABS Pump Bracket	\$38⁹⁹

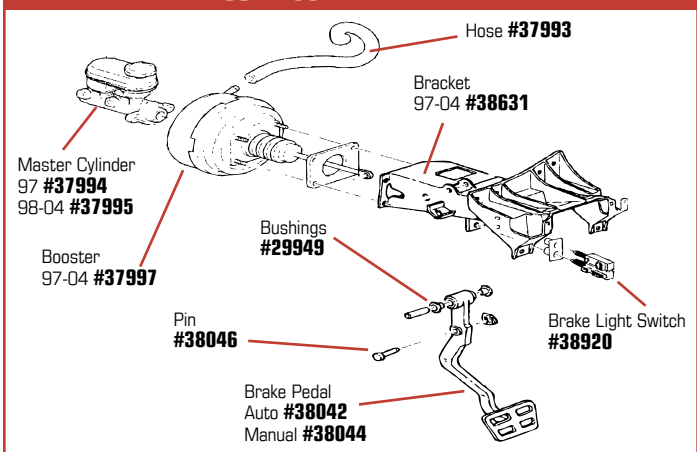
1997-2004 BRAKE ROTOR

51865	97-04	Brake Rotor - Front - LH - Delco	\$179⁹⁹
51866	97-04	Brake Rotor - Front - RH - Delco	\$179⁹⁹
38012	97-04	Brake Rotor - Front - LH	\$64⁹⁹
38013	97-04	Brake Rotor - Front - RH	\$64⁹⁹
38003	97-04	Brake Rotor - Rear - LH	\$59⁹⁹
38004	97-04	Brake Rotor - Rear - RH	\$59⁹⁹

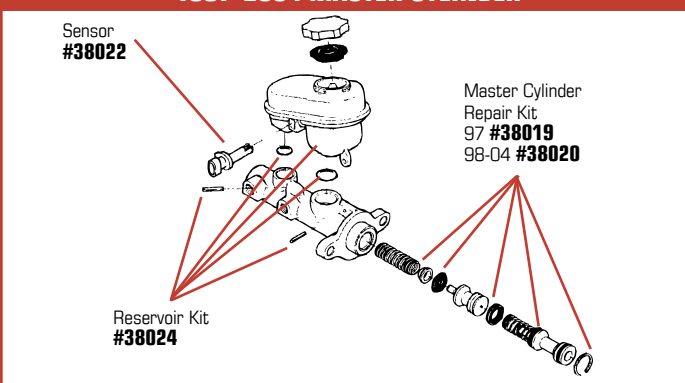
1997-2004 BRAKE SYSTEM



1997-2004 BRAKE PEDAL



1997-2004 MASTER CYLINDER



1997- 2004 POWER SLOT ROTORS

Power Slot Rotors utilize the revolutionary Vac-U-Slot system to evacuate the hot gases that build up between your rotors and pads while maintaining 96% of the active braking area. And, since they're not drilled, they stand up to stress and maintain their integrity much longer than most cross-drilled rotors. *For Cooler Brakes & Quicker Stops!*



- **Vac-U-Slot Design** • **Quality Casting** • **Replacement for OEM Rotors**

43283	97-04	Front Brake Rotor - LH.....	\$153⁹⁹
43284	97-04	Front Brake Rotor - RH.....	\$153⁹⁹
43285	97-04	Rear Brake Rotor - LH.....	\$130⁹⁹
43286	97-04	Rear Brake Rotor - RH.....	\$130⁹⁹
43303	97-04	Rotor Kit - 4 Rotors.....	\$499⁹⁹



#38041 1997-2004
Front Brake Pads



#38037 1997-2004
Brake Caliper Stop
Bracket - Front



#38045 1997-2004
Brake Caliper
Guide Pins & Bolts

1997-2004 BRAKE FRONT CALIPER & PADS

38010	97-04	Brake Caliper - Front - LH.....	\$185⁹⁹
57001	97-04	Brake Caliper - Front - LF - Remanufactured.....	\$156⁹⁹
57002	97-04	Brake Caliper - Front - RF - Remanufactured.....	\$156⁹⁹
38045	97-04	Brake Caliper Guide Pins & Bolts.....	\$8⁹⁹
38038	97-04	Brake Caliper Piston - Front.....	\$40⁹⁹
38039	97-04	Brake Caliper Piston Boot - Front.....	\$21⁹⁹
38033	97-04	Brake Caliper Piston Seal.....	\$26⁹⁹
38040	97-04	Brake Caliper Piston Seal - Front.....	\$9⁹⁹
38037	97-04	Brake Caliper Stop Bracket - Front.....	\$75⁹⁹
28852	97-04	Brake Caliper Mount Bracket - Front.....	\$76⁹⁹
38041	97-04	Brake Pads - Front Axle.....	\$30⁹⁹
38043	97-04	Brake Pad Hardware Kit - Front.....	\$8⁹⁹
41759	97	Disc Brake Hardware Kit.....	\$8⁹⁹
57000	97-04	Caliper Core Charge.....	\$40⁹⁹



#38028 1997-2001
Rear Brake Pads



#38002 1997-2004
Brake Caliper - Rear RH

1997-2004 REAR BRAKE CALIPER & PADS

38034	97-04	Brake Caliper Repair Kit, Rear - Includes: Guide Pins, Guide Pin Boots, Piston Boots & Piston Seals.....	\$29⁹⁹
38001	97-04	Brake Caliper - Rear - LH.....	\$135⁹⁹
38002	97-04	Brake Caliper - Rear - RH.....	\$135⁹⁹
57003	97-04	Brake Caliper - Front - LR - Remanufactured.....	\$156⁹⁹
57004	97-04	Brake Caliper - Front - RR - Remanufactured.....	\$156⁹⁹
38026	97-04	Brake Caliper Guide Pin - Rear.....	\$9⁹⁹
28853	97-04	Brake Caliper Mount Bracket - Rear.....	\$76⁹⁹
28854	97-04	Brake Caliper Mount Bracket - Bolt.....	\$8⁹⁹
28855	97-04	Brake Caliper Mount Bracket - Bolt Washer.....	\$5⁹⁹
38031	97-04	Brake Caliper Piston - Rear.....	\$50⁹⁹
38032	97-04	Brake Caliper Piston Boot - Rear.....	\$11⁹⁹
38023	97-04	Brake Pad Hardware Kit - Rear.....	\$8⁹⁹
38028	97-04	Brake Pads - Rear Axle.....	\$64⁹⁹
34165	97-99	Caliper Bleeder Valve.....	\$5⁹⁹
34166	97-99	Caliper Bleeder Valve Cap.....	\$5⁹⁹
50605	97-04	Retainer Rear Brake.....	\$8⁹⁹
57000	97-04	Caliper Core Charge.....	\$40⁹⁹

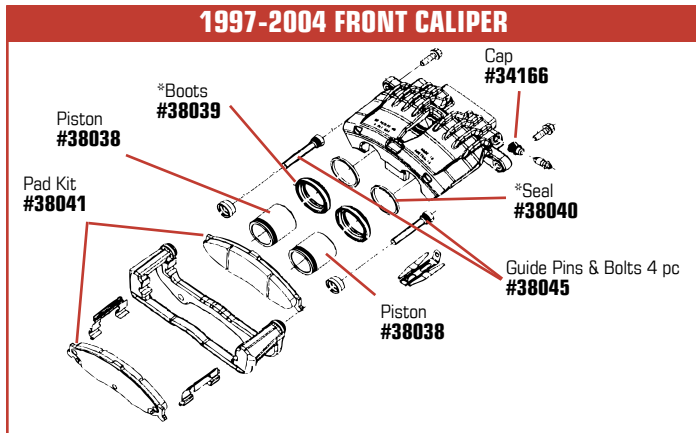
1997-2004 BRAKE PAD COVERS

It's the little details that make a big difference. These Stainless Steel Brake Pad Covers are laser cut and highly polished to provide the finishing touch that complements your Corvette brake calipers and wheels. Four-piece kit does all four calipers. Simple installation.

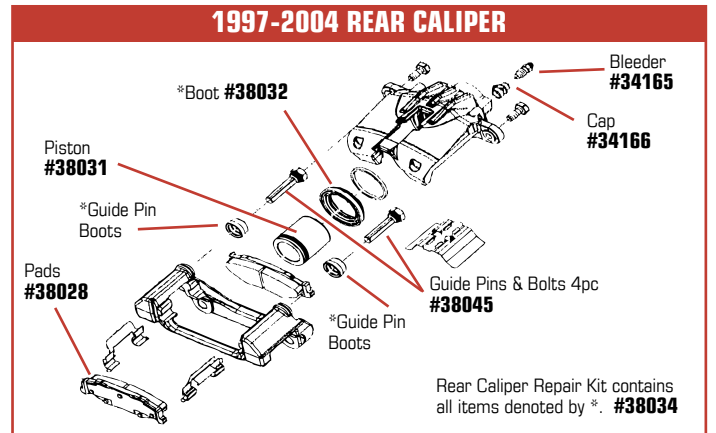


47437	97-04	Brake Pad Covers - 4 pc set.....	\$66⁹⁹
--------------	-------	----------------------------------	--------------------------

1997-2004 FRONT CALIPER



1997-2004 REAR CALIPER



WARNING: Cancer and Reproductive Harm -
www.P65Warnings.ca.gov

(833) 4TopFlight | TopFlightAutomotive.com





1997-2004 CALIPER COVERS



Made of 6061-T6 Aerospace Aluminum. Available in Powdercoated Red, Black or Brushed Silver. Reduces brake dust, hides ugly calipers, reduces caliper heat & brake fade. Easy Installation! Four piece sets made in the USA.

43053	97-04	Black w/ Silver Corvette Script.....	\$249⁹⁹
43054	97-04	Red w/ Silver Corvette Script.....	\$249⁹⁹
52968	97-04	Yellow w/ Black Corvette Script.....	\$249⁹⁹
52941	97-04	Black w/ Silver Corvette & Z06 Script.....	\$249⁹⁹
52942	97-04	Red w/ Silver Corvette & Z06 Script.....	\$249⁹⁹
52943	97-04	Yellow w/ Black Corvette & Z06 Script.....	\$249⁹⁹



1997-2004 RED Z06 STYLE BRAKE CALIPERS

43517	97-04	Brake Caliper - Red - Left Front	\$207⁹⁹
43518	97-04	Brake Caliper - Red - Right Front	\$207⁹⁹
43519	97-04	Brake Caliper - Red - Left Rear	\$165⁹⁹
43520	97-04	Brake Caliper - Red - Right Rear	\$165⁹⁹



BRAIDED STAINLESS STEEL BRAKE LINE KITS

43560	97-04	Brake Line Kit - Braided SS - set.....	\$134⁹⁹
--------------	-------	--	---------------------------



1997-2004 BRAKE ROTOR HUB COVERS

29817	97-04	Brake Rotor Hub Covers - 4 pc - Black.....	\$169⁹⁹
29815	97-04	Brake Rotor Hub Covers - 4 pc - Chrome.....	\$214⁹⁹
29816	97-04	Brake Rotor Hub Covers - 4 pc - Red.....	\$159⁹⁹

CALIPER / MASTER CYLINDER BLEEDER SYSTEM

1636	97-04	Caliper / Master Cylinder Bleeder System.....	\$10⁹⁹
-------------	-------	---	--------------------------

1997-2004 SPEED BLEEDER VALVES

40835	97-04	Speed Bleeder Valves.....	\$16⁹⁹
--------------	-------	---------------------------	--------------------------

EPOXY CALIPER AND ROTOR PAINT KITS

Apply a hard, long-lasting and protective coat of paint to your brake calipers and rotors without removing them. Kit includes cleaner, paint, stir stick, brush and instructions. Must ship ground.

43016	Epoxy Paint Kit - Black.....	\$40⁹⁹
43014	Epoxy Paint Kit - Red.....	\$40⁹⁹
43017	Epoxy Paint Kit - Silver.....	\$50⁹⁹
43015	Epoxy Paint Kit - Yellow.....	\$40⁹⁹

CALIPER, DRUM & ROTOR PAINT

Apply Brake Caliper, Drum and Rotor Paint to protect your brake components from the harmful effects of the elements. This durable, weather-resistant, high-heat coating helps prevent chipping, cracking & corrosion. Must ship ground.

46486	Brake Paint - Bright Yellow.....	\$14⁹⁹
46484	Brake Paint - Gloss Black.....	\$14⁹⁹
46481	Brake Paint - Real Red.....	\$19⁹⁹
46487	Brake Paint - Satin Black.....	\$14⁹⁹



#49461 1999-2004
Park Brake Shoe

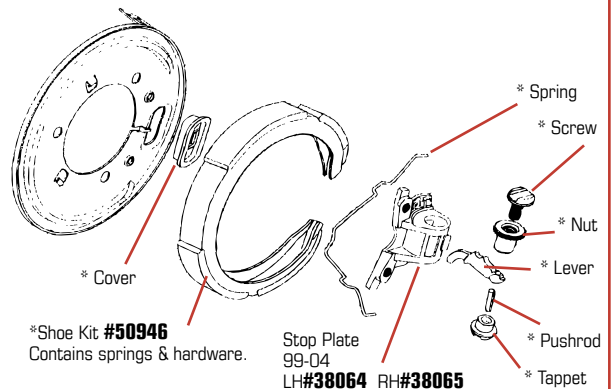


#38064 1999-2004
Park Brake Stop Plate - LH

1997-2004 PARK BRAKE

38050	97-04	Park Brake Cable Bracket - Rear LH.....	\$27⁹⁹
38051	97-04	Park Brake Cable Bracket - Rear RH.....	\$29⁹⁹
38047	97-04	Park Brake Cable - Rear LH.....	\$19⁹⁹
38048	97-04	Park Brake Cable - Rear RH.....	\$23⁹⁹
38052	97-04	Park Brake Cable Stud Plate.....	\$5⁹⁹
38055	97-01	Park Brake Lever Boot - Exc. Pace Car.....	\$169⁹⁹
38056	98	Park Brake Lever Boot - Pace Car.....	\$73⁹⁹
38053	97-04	Park Brake Lever - Exc. 98 Pace.....	\$425⁹⁹
50946	97-04	Park Brake Shoes - Pr - Pro Grade.....	\$52⁹⁹
38060	97-98	Park Brake Shoe & Hardware Kit - 2 req'd - GM.....	\$479⁹⁹
49461	99-04	Park Brake Shoe - Delco.....	\$75⁹⁹
38064	99-04	Park Brake Stop Plate - LH.....	\$42⁹⁹
38065	99-04	Park Brake Stop Plate - RH.....	\$42⁹⁹

1997-2004 PARKING BRAKE



#41025 1997-2004
Front Air Dam - 3 pc. set



#38082 1999-2004
Front License Cover Kit

1997-2004 BUMPER

38085	97-04	Front Air Dam - Center - GM	\$290 ⁹⁹
38086	97-04	Front Air Dam - LH - GM	\$109 ⁹⁹
38087	97-04	Front Air Dam - RH - GM	\$109 ⁹⁹
41025	97-04	Front Air Dam - 3 pc set - Reproduction	\$418 ⁹⁹
53341	97-04	Front Air Dam - Center	\$73 ⁹⁹
53342	97-04	Front Air Dam - RH	\$23 ⁹⁹
53343	97-04	Front Air Dam - LH	\$23 ⁹⁹
38088	97-04	Front Air Dam Brace - Center - 2 req'd	\$50 ⁹⁹
42789	97-04	Front Spoiler Mounting Kit - 10 pc.	\$4 ⁹⁹
38091	97-04	Front Bumper Brake Cooling Duct - LH	\$103 ⁹⁹
38092	97-04	Front Bumper Brake Cooling Duct - RH	\$53 ⁹⁹
38078	97-04	Front Bumper Cover -	\$596 ⁹⁹
38096	97-04	Front Bumper Cover Bracket - Upper	\$78 ⁹⁹
38093	97-04	Front Bumper Cover Deflector - LH	\$42 ⁹⁹
38094	97-04	Front Bumper Cover Deflector - RH	\$37 ⁹⁹
38095	97-04	Front Bumper Cover Retainer - Upper	\$88 ⁹⁹
38079	97-04	Front Bumper Energy Absorber	\$460 ⁹⁹
38090	97-04	Front Bumper Impact Bar Skid Plate	\$416 ⁹⁹
38082	97-04	Front License Cover Kit	\$288 ⁹⁹
38084	97-04	Front License Plate Bracket	\$54 ⁹⁹
26897	97-04	Front License Plate Cover	\$33 ⁹⁹
49976	97-03	Valance Panel - Left Front - Lower	\$37 ⁹⁹
51675	97-04	Nut Clip U-Shape	\$1 ⁹⁹

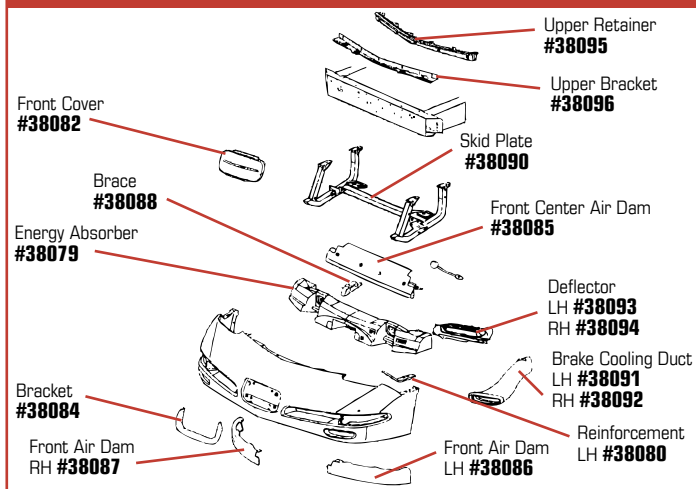
SIDE SPOILER SAVERS

No need to replace your front air dams because of torn bolt holes. These Side Spoiler Savers securely hold the air dam to the bottom of the front bumper.



43662 97-04 Side Spoiler Savers - pr \$22⁹⁹

1997-2004 FRONT BUMPER



1997-2004 SKID PLATE STIFFENERS

Don't count on stock skid plates to take the ouch completely out of parking curb scrapes... they're just not sturdy enough to stand up to the task. **And, once bent, factory plates could cost hundreds to replace.** These stiffeners can save the day by bolting on over your existing plates and preventing damage in the first place. They install in less than 15 minutes. No drilling required. All hardware included.



X2118 97-04 C5 Skid Plate Stiffeners - set..... \$24⁹⁹



#38097 - Rear Bumper Cover



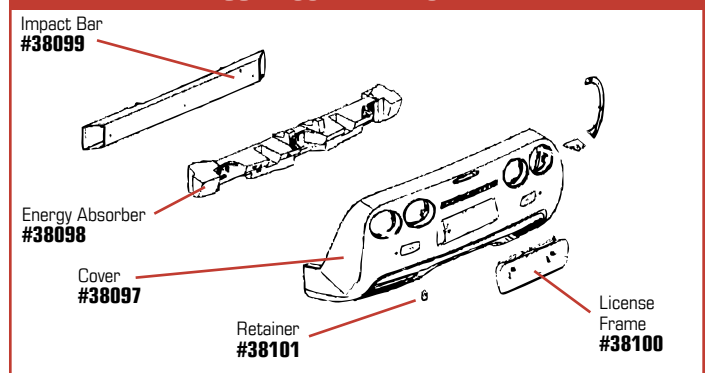
#38098 - Rear Bumper Energy Absorber



#38099 - Rear Bumper Impact Bar

38097	97-04	Rear Bumper Cover	\$809 ⁹⁹
38101	97-04	Rear Bumper Cover Push-in Retainer	\$1 ⁹⁹
38098	97-04	Rear Bumper Energy Absorber	\$308 ⁹⁹
38099	97-04	Rear Bumper Impact Bar	\$241 ⁹⁹
38100	97-04	Rear License Plate Frame	\$128 ⁹⁹

1997-2004 REAR BUMPER



WARNING: Cancer and Reproductive Harm - www.P65Warnings.ca.gov





1997-2004 STRETCH FRONT BUMPER MASKS

Protect the front of your C5 with an affordable synthetic stretch mesh front bumper mask. It's easy to install and stretch to hug your Corvette's lines with a snug, skin-tight fit.

49066 97-04 Synthetic Stretch Mesh Front Bumper Mask **\$139⁹⁹**



1997-2004 REAR BUMPER BIB

Protect your vulnerable paint with an easy-to-install Rear Bumper Bib! The Covercraft Rear Bumper Bib fits all 1997-2004 coupes. The padded, heavyweight black vinyl bib is easily deployed and conveniently tucks away for easy storage.

X2419 97-04 Rear Bumper Bib..... **\$51⁹⁹**

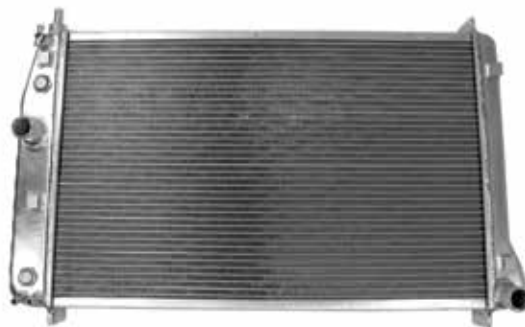


1997-2004 EMBROIDERED REAR BUMPER BIB

The Embroidered Rear Bumper Bib is made of padded, heavyweight black vinyl. Then it's embroidered with the C5 Logo in your choice of Black, Red or Silver.

This officially-licensed GM product not only looks great, it protects the bumper surface to keep your Corvette looking great as well. Specify your logo color by adding one of the following Part Numbers:

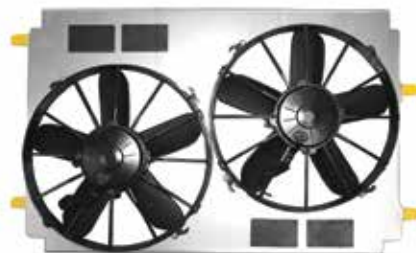
4360 - Black Logo | **4361** - Red Logo | **4362** - Silver Logo
43708 97-04 Embroidered Rear Bumper Bib **\$87⁹⁹**



#44290 1997-2004
 Direct Fit Aluminum Radiator Automatic



#58382 2001-2004
 Direct Fit Aluminum Radiator for Supercharged with T&O Coolers



#58416 1997-2004
 SPAL Dual 12"
 Fan Upgrade with Stainless Steel Shroud

1997-2004 DIRECT FIT ALUMINUM RADIATORS

These Direct Fit Aluminum Radiators feature a double row of extra wide, high-quality tubes, special louvered fins and press formed end tanks. Cores are furnace brazed for the ultimate in tube to header welds without the use of any epoxy. Each radiator is then fit to the original core supports and factory hoses. That's right, no cutting, bending or installing different hoses to make it work. Best of all, they cost much less than other Aluminum Radiators that do require modification to use. Backed by a 3-year Manufacturer's Warranty.

44289	97-04	Radiator - Direct Fit Manual	\$689⁹⁹
44290	97-04	Radiator - Direct Fit Automatic	\$739⁹⁹
51992	97-04	Radiator - Direct Fit w/ EOC	\$739⁹⁹
51993	97-00	Radiator - Direct Fit w/ EOC & TOC	\$789⁹⁹
51994	01-04	Radiator - Direct Fit Automatic	\$739⁹⁹
51995	01-04	Radiator - Direct Fit w/ EOC & TOC	\$789⁹⁹
58381	01-04	Radiator - Direct Fit DC for Supercharged.....	\$839⁹⁹
58382	01-04	Radiator - Direct Fit DC for Supercharged/T&O.....	\$889⁹⁹
58394	97-00	Radiator - Direct Fit DC for Supercharged - Auto ...	\$739⁹⁹
58395	97-00	Radiator - Direct Fit DC for Supercharged w/ Oil Cooler	\$839⁹⁹
58396	97-04	Radiator - Direct Fit DC with 1" Tubes w/ EOC.....	\$739⁹⁹
58397	97-04	Radiator - Direct Fit DC for Supercharged - Man. ...	\$689⁹⁹





#38090 1997-2004
Front Bumper Impact
Bar Skid Plate



#38119 1997-2000
Engine Coolant Bypass Pipe Hose



#50804 1997-2004
Engine Coolant
Temperature Sensor



1997-2004
Corvette **PARTS**



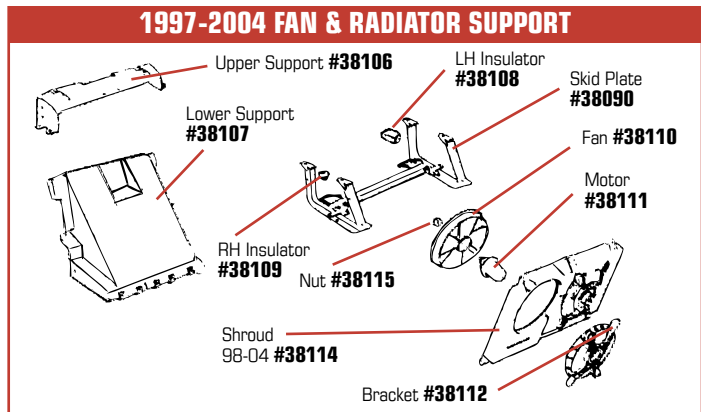
1997-2004
Corvette **INTERIORS**

1997-2004 COOLING (CONTINUED)

58416	97-04	SPAL Dual 12" Fan Upgrade w/ SS Shroud.....	\$449⁹⁹
58417	97-04	SPAL Dual 12" Fan Upgrade for Cut-Down DeWitt's Radiators	\$449⁹⁹
58428	97-04	DeWitt's SPAL Fan Temp Switch 185 On/165 Off.....	\$39⁹⁹
58429	97-04	DeWitt's SPAL Fan Temp Switch 195 On/175 Off.....	\$39⁹⁹
58430	97-04	DeWitt's SPAL Fan Wiring Harness with Relay	\$54⁹⁹
58431	97-04	DeWitt's SPAL Fan Wiring Harness with Relay & Temp Switch	\$79⁹⁹
58432	97-04	DeWitt's Universal Billet Machined 15 lb. Gripper Cap...	\$64⁹⁹
58433	97-04	DeWitt's Universal Billet Machined Silver 15 lb. Gripper Cap	\$54⁹⁹
58434	97-04	DeWitt's Universal Billet Machined 15 lb. Round Cap....	\$54⁹⁹
58435	97-04	DeWitt's Universal Billet Machined Silver 15 lb. Round Cap.....	\$44⁹⁹
51705	97-04	Engine Coolant Air Blow Pipe Seal	\$4⁹⁹
51737	97-04	Engine Coolant Filler Cap	\$15⁹⁹
38118	97-00	Engine Coolant Bypass Pipe	\$21⁹⁹
38119	97-00	Engine Coolant Bypass Pipe Hose.....	\$65⁹⁹
50804	97-04	Engine Coolant Temperature Sensor	\$7⁹⁹
43454	97-04	Fan Motor Cover - Chrome	\$40⁹⁹



1997-2004
Corvette **WHEELS**



1997-2004
Corvette **ACCESSORIES**

Call or go online today to see a complete product line and to place your order!



WARNING: Cancer and Reproductive Harm - www.P65Warnings.ca.gov

(833) 4TopFlight | TopFlightAutomotive.com





#38111 1997-2004
Radiator Cooling Fan Motor



#38112 1997
Radiator Cooling Fan Bracket



#38107 1997-2004
Radiator Support - Lower



#38106 1997-2004
Radiator Support - Upper



#38126 1997-2004
Radiator Hose - Inlet



#38130 1997-2004
Radiator Hose - Outlet



#38122 1997-2002
Water Pump



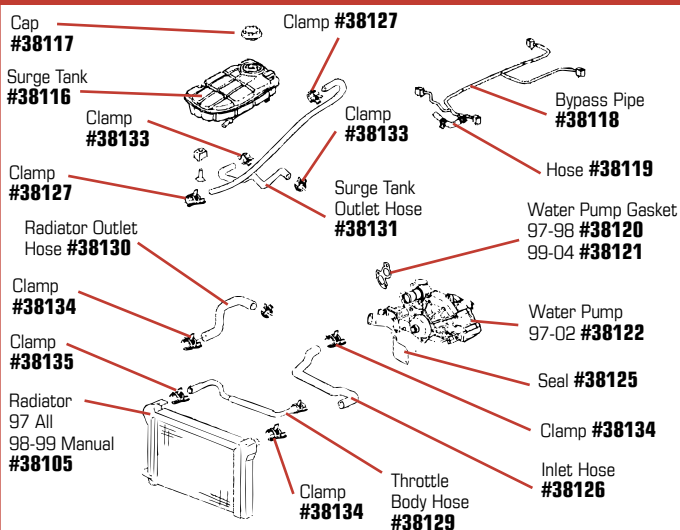
#58402 1997-2004
Oil Cooler Line Kit

1997-2004 COOLING (CONTINUED)

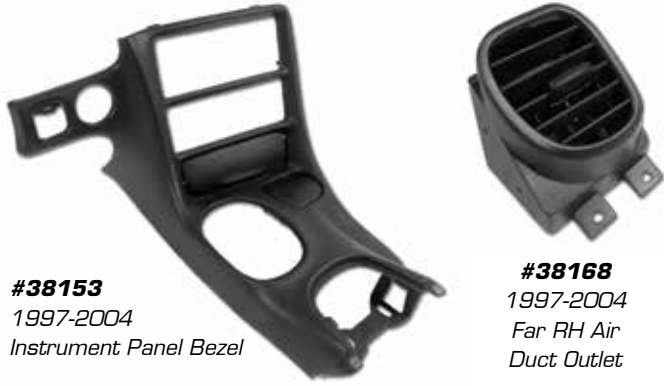
38090	97-04	Front Bumper Impact Bar Skid Plate.....	\$416
38113	00-04	Radiator Surge Tank.....	\$156
38134	97-04	Hose Clamp - Radiator Outlet Hose.....	\$7
38133	97-04	Hose Clamp - Radiator Surge Tank Outlet.....	\$3
38135	97-04	Hose Clamp - Throttle Body Heater Outlet.....	\$4
38110	97-04	Radiator Cooling Fan.....	\$54
38112	97	Radiator Cooling Fan Bracket.....	\$43
38111	97-04	Radiator Cooling Fan Motor.....	\$62
38115	97-04	Radiator Cooling Fan Motor Nut.....	\$10
50602	97-09	Radiator Cooling Fan Relay.....	\$24
38114	98-04	Radiator Cooling Fan Shroud.....	\$288
50076	97-04	Radiator Drain Plug.....	\$11
38107	97-04	Radiator Support - Lower.....	\$172
38106	97-04	Radiator Support - Upper.....	\$213
38108	97-04	Radiator Insulator - Lower LH.....	\$8
38109	97-04	Radiator Insulator - Lower RH.....	\$10
38105	97-99	Radiator - 97 All, 98-99 Manual Trans.....	\$336
50389	97-04	Radiator - Replacement.....	\$244
50913	97-00	Radiator Cap.....	\$3
50908	01-04	Radiator Cap.....	\$5
50902	97-00	Radiator Hose Bypass.....	\$2
38126	97-04	Radiator Hose - Inlet.....	\$19
38130	97-04	Radiator Hose - Outlet.....	\$32
38127	97-99	Radiator Hose Clamp.....	\$6
38116	97-99	Radiator Surge Tank.....	\$203
38117	97-99	Radiator Surge Tank Cap.....	\$17
38128	97-04	Radiator Surge Tank Inlet Hose.....	\$35
38131	97-04	Radiator Surge Tank Outlet Hose.....	\$13
58397	97-04	Brass Drain Valve - 1/4 NPT Thread.....	\$689
50909	97-04	Thermostat - 186 Degree.....	\$26
38129	97-04	Throttle Body Heater Outlet Hose.....	\$46
38120	97-98	Water Pump Gasket.....	\$0

38121	99-04	Water Pump Gasket.....	\$5
38122	97-04	Water Pump.....	\$172
38124	97-04	Water Pump Inlet Kit.....	\$42
38125	97-04	Water Pump Inlet Seal.....	\$12
50195	97-04	Water Pump Assembly.....	\$295
51080	97-99	Water Pump - Remanufactured.....	\$135
51087	00-03	Water Pump - Remanufactured.....	\$139
51094	04	Water Pump - Remanufactured.....	\$139
51706	97-04	Water Pump Inlet w/ Seal & Thermostat.....	\$64
58402	97-04	Oil Cooler Line Kit for Aftermarket Coolers.....	\$419
58420	97-04	Oil Cooler Adapter Block.....	\$129
58403	97-04	Oil Cooler Line Kit for Driver's Side Coolers.....	\$289

1997-2004 RADIATOR & HOSES



DASH & CONSOLE



#38153
1997-2004
Instrument Panel Bezel

#38168
1997-2004
Far RH Air
Duct Outlet



#38216 1997-2004
Knee Pad Repair Kit

#38160 1997-2004
Console Door Latch

1997-2004 DASH & CONSOLE COMPONENTS

38155	97-04	Ashtray	\$42⁹⁹
33003	97-04	Lighter Housing-Female In Dash	\$22⁹⁹
33561	97-99	Cigarette Lighter w/ Element	\$12⁹⁹
38157	97-04	Cup Holder Insert	\$15⁹⁹
38153	97-04	Instrument Panel Bezel	\$346⁹⁹
38154	97-04	Instrument Panel Bezel Grille	\$22⁹⁹
38146	97-98	Instrument Panel Support Bracket.....	\$122⁹⁹
51778	97-04	Key Resister #9	\$31⁹⁹
38152	98-04	Under Dash Insulator - RH - Camel.....	\$46⁹⁹
38151	97-99	Under Dash Insulator - RH - Red	\$33⁹⁹
38171	97-02	Dash Pad Bracket - Lower - LH	\$94⁹⁹
38174	97-99	Dash Pad - Lower - LH - Red	\$293⁹⁹
38176	97-04	Instrument Cluster Bezel.....	\$157⁹⁹
38168	97-04	Outlet - Air Duct - Far RH.....	\$40⁹⁹
38216	97-04	Knee Pad Repair Kit.....	\$40⁹⁹
51766	98-99	Computer Control Sensor Bracket.....	\$19⁹⁹
38160	97-04	Console Door Latch	\$43⁹⁹
28445	97-04	Console Door Latch & Hook 2 pc	\$9⁹⁹
51493	97-04	Defroster Grille w/ Auto Climate	\$37⁹⁹
38410	97-04	Defroster Grille	\$30⁹⁹
38215	99-04	Driver Information Display Bezel - HUD	\$51⁹⁹
38145	97-04	Glove Box Door Bumper	\$28⁹⁹
38140	97-02	Glove Box Door Lock - Black.....	\$94⁹⁹
38143	98-02	Glove Box Door Lock - Camel	\$101⁹⁹
37578	97-04	Ignition Bezel	\$24⁹⁹

54220	97-04	Corvette Climate Control AC Button	\$20⁹⁹
54221	97-04	Corvette Climate Control Auto Button	\$20⁹⁹
54222	97-04	Corvette Climate Control Cycle Button.....	\$32⁹⁹
54223	97-04	Corvette Climate Control Fan Button	\$32⁹⁹
54224	97-04	Corvette Climate Control Front Button.....	\$20⁹⁹
54225	97-04	Corvette Climate Control Mode Button	\$20⁹⁹
54226	97-04	Corvette Climate Control Off Button	\$20⁹⁹
54227	97-04	Corvette Climate Control Rear Button.....	\$20⁹⁹
54228	97-04	Corvette Climate Control Button Set - 8 Pc.....	\$156⁹⁹

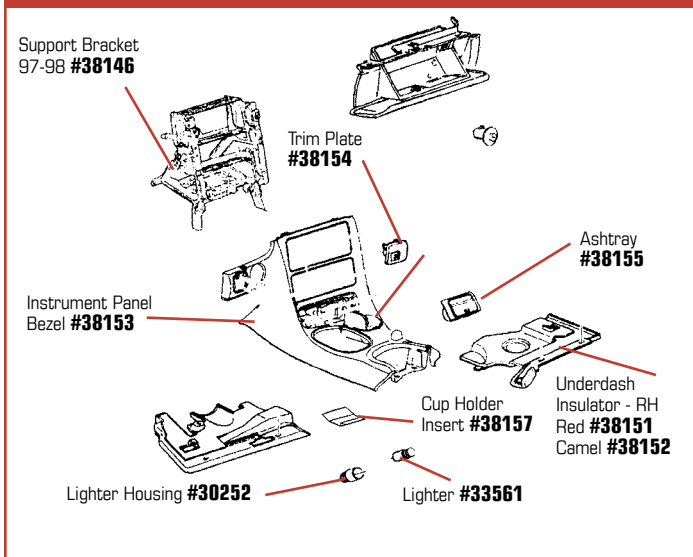
1997-2004 RETROFIT HUD BEZEL KIT



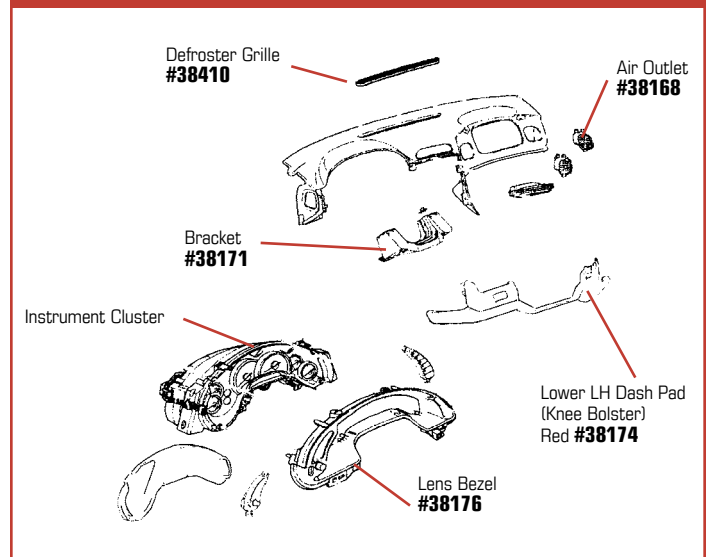
An affordable solution to a cracked 97-04 HUD bezel. This kit fits over cracked or damaged bezels for a fresh appearance at a fraction of the cost of installing a replacement. This kit is designed to be epoxied in place over the existing damaged bezel, as opposed to the full dash removal required for installation of a replacement. Kit includes Bezel, Alcohol Prep, Adhesive, Gloves, and Instructions. Available in four colors.

37501	97-04	HUD Bezel Retrofit Kit - Black.....	\$101⁹⁹
37503	97-04	HUD Bezel Retrofit Kit - Light Oak.....	\$101⁹⁹
37504	97-02	HUD Bezel Retrofit Kit - Shale.....	\$101⁹⁹
37571	03-04	HUD Bezel Retrofit Kit - Medium Neutral	\$101⁹⁹

1997-2004 DASH & CONSOLE



1997-2004 DASH



WARNING: Cancer and Reproductive Harm - www.P65Warnings.ca.gov

(833) 4TopFlight | TopFlightAutomotive.com



DASH & CONSOLE CONTINUED

1997-2004 GRAB BAR ACCENT WRAP

Available in six colors to match the interior, the Grab Bar Accent Wrap is a simple, inexpensive way to enhance the C5's interior and protect it from wear. Velcro in place for easy installation and removal.



44750	97-04 Black	44753	97-99 Red
44751	97-04 Gray	44754	00-04 Torch Red
44752	98-04 Oak	44755	98 Yellow

1997-2004 Grab Bar Accent Wrap..... **\$27⁹⁹**



1997-2004 ALUMINUM GAUGE CLUSTER BEZEL

These brushed aluminum bezels install easily to add a whole new look to your car's gauge cluster. This six-piece set comes with a quick bond adhesive. No modifications are required.

44877 97-04 Aluminum Gauge Cluster Bezel Set..... **\$86⁹⁹**



1997-2004 CUSTOM-FIT DASH COVERS

Keep your Corvette's dash cool and protected from harmful UV rays that cause it to crack and fade. These Custom Fit Dash Covers are cut and sewn to match the contour of your C5. Felt-bound edges and embroidered C5 emblem give it an attractive look. Available in black for Corvettes with or without the Heads-Up Display option.

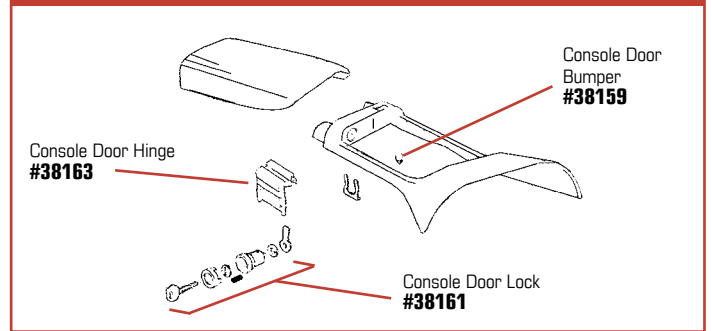
43675 97-04 Dash Cover w/ Heads-Up Display **\$45⁹⁹**
43676 97-04 Dash Cover w/o Heads-Up Display..... **\$45⁹⁹**

1997-2004 CONSOLE

38159 97-04 Console Door Bumper - 2 req'd **\$6⁹⁹**
28445 97-04 Console Door Latch & Hook - 2 pc set **\$9⁹⁹**
38161 97-04 Console Door Lock - Uncoded **\$20⁹⁹**
38163 97-04 Console Door Hinge **\$139⁹⁹**
486989 97-99 Console Door - Red **\$154⁹⁹**

486990 97-04 Console Door - Black **\$154⁹⁹**
486988 97-04 Console Door - Gray **\$154⁹⁹**
486991 98-04 Console Door - Oak **\$154⁹⁹**
48722 98 Console Door - Pace Car Yellow **\$154⁹⁹**
486993 00-04 Console Door - Torch Red..... **\$154⁹⁹**
48721 03-04 Console Door - Shale Anniversary **\$154⁹⁹**
486994 03-04 Console Door - Shale **\$154⁹⁹**

1997-2004 CENTER CONSOLE



1997-2004 STORAGE CONSOLE PACKAGE

The Corvette storage console package mounts easily & securely between the seats and over the carpet riser using the supplied push tabs. Includes: storage console, fastening panel, vibration pad set, hole punch and instructions.



48556 97-04 C5 Storage Console Package..... **\$65⁹⁹**



1997-2004 CUP HOLDERS

Easy installation - just slide into the ashtray opening!

47321 97-04 Cup Holder - Dual w/ Cellphone Holder **\$49⁹⁹**
47322 97-04 Cup Holder - Single **\$49⁹⁹**

TRAVEL BUDDY CUP HOLDERS

Travel Buddy (single-drink) and Travel Buddy 2 (two-drink) Drink Holders are made of ABS material and they install cleanly so they look like a factory option. Installs in seconds with a lip that slips between your carpet and console.

48572 Travel Buddy Cup Holder **\$40⁹⁹**
48577 Travel Buddy 2-Cup Holder **\$60⁹⁹**



#48577



DECALS & LETTERING KITS



1997-2004 CHROME STAINLESS STEEL REAR LETTER SET

Perfectly fit, laser-cut steel letters add a crisp, clean accent to your C5. Letters are polished to a mirror finish. Just peel and stick.

46354 97-04 Rear Letter Set - Chrome SS..... **\$50⁹⁹**



1997-2004 POLISHED STAINLESS STEEL REAR LETTER SET

Solid stainless steel letters with a highly polished natural finish. Remove protective layer from the adhesive backing and press into place for long-lasting good looks.

40256 97-04 Rear Letter Set - Polished SS..... **\$94⁹⁹**



1997-2004 VINYL LETTERING KITS

4 Styles, 4 Great Colors and Self-Adhesive. Made of self-adhesive vinyl. Kit contains 16 letters: 2 of each of C-O-R-V-E-T-T-E, enough for both front and rear bumpers.

22596 97-04 Brilliant Black	22597 97-04 Mirror Chrome
22598 97-04 Metallic Gold	22599 97-04 Reflective Red

97-04 Corvette Lettering Kit..... **\$17⁹⁹**



1997-2004 CORVETTE LETTERING DECAL KIT

Corvette Lettering Kit for front and rear bumper. Made of self-adhesive, thin 2 millimeter vinyl transfer tape. High-quality vinyl tape constructed to resist lifting and peeling.

22602 97-04 Corvette Lettering Kit - Carbon Fiber.....	\$17⁹⁹
22600 97-04 Corvette Lettering Kit - Silver.....	\$17⁹⁹
22601 97-04 Corvette Lettering Kit - Yellow.....	\$17⁹⁹



1997-2004 FRONT LETTER SET

Add a sharp, clean accent with these laser-cut surgical stainless steel letters. Letters are polished to a mirror finish. Just peel and stick.

46353 97-04 Front Letter Set - Chrome..... **\$60⁹⁹**



1997-2004 ACRYLIC REAR LETTER SET

Spice up your Vette with rear lettering! This strong acrylic set will add dimension and style to your car, a look that is sure to make heads turn!

41918 97-04 Black	41919 97-04 Red
41921 97-04 Chrome	

97-04 Acrylic Rear Letter Set..... **\$31⁹⁹**



WARNING: Cancer and Reproductive Harm -
www.P65Warnings.ca.gov

(833) 4TopFlight | TopFlightAutomotive.com





#38191 1997-2004
Door Lock Mechanism - LH



#38184 1997-2004
Door Hinge - Lower - LH



#2306 1997-2004
Outer Door Seals



#38180 1997-2004 Door Window - LH



#38189 1997-2004
Door Window Regulator - LH



#38190 1997-2004
Door Window Regulator - RH

1997-2004 Door

51977	97-04	AcoustiShield Door Insulation Kit.....	\$62⁹⁹
38188	97-04	Door Bumper - 2 req'd	\$3⁹⁹
38234	97-04	Door Handle Gasket - Outer - RH	\$14⁹⁹
55195	97-04	Door Handle Trim - Satin, 2 pc.....	\$14⁹⁹
38184	97-04	Door Hinge - Lower - LH.....	\$131⁹⁹
38185	97-04	Door Hinge - Lower - RH	\$64⁹⁹
38182	97-04	Door Hinge - Upper - LH.....	\$133⁹⁹
38183	97-04	Door Hinge - Upper - RH	\$109⁹⁹
38203	97-04	Door Lock Cover at Striker	\$45⁹⁹
38191	97-04	Door Lock Mechanism - LH w/ Anti-Theft Switch & Actuator	\$281⁹⁹
50758	97-04	Door Locks	\$48⁹⁹
50874	97-04	Door Lock Actuator.....	\$44⁹⁹
38187	97-04	Door Stop - 2 req'd.....	\$3⁹⁹
38204	97-04	Door Striker.....	\$38⁹⁹
38205	97-04	Door Striker Spacer.....	\$2⁹⁹
38206	97-04	Door Striker Washer	\$0⁹⁹
52270	98-04	Door Seals - Outer - Convertible - 2 pc	\$89⁹⁹
2306	97-04	Door Seals - Outer - Coupe - 2 pc	\$89⁹⁹
52271	01-04	Door Seals - Outer - Hardtop / Z06 - 2 pc.....	\$99⁹⁹
38180	97-04	Door Window - LH.....	\$558⁹⁹
38181	97-04	Door Window - RH	\$558⁹⁹
38189	97-04	Door Window Regulator - LH	\$123⁹⁹
38190	97-04	Door Window Regulator - RH.....	\$123⁹⁹
38186	97-04	Door Window Wiring Boot.....	\$14⁹⁹

51753	97-04	Power Window Motor Connector Pigtail.....	\$26⁹⁹
51077	97-04	Power Window Motor - LH - Remanufactured.....	\$111⁹⁹
51078	97-02	Power Window Motor - RH - Remanufactured	\$116⁹⁹
51738	97-04	Power Window Regulator - LH w/ Motor	\$304⁹⁹
51742	97-04	Water Deflector - Front Side Door - LH	\$61⁹⁹
51743	97-04	Water Deflector - Front Side Door - RH.....	\$61⁹⁹
51779	97-04	Retainer - Front Side Trim Male	\$1⁹⁹

1997-2004 AUXILIARY DOOR SEALS

Keeps dirt out and door sills clean! Auxiliary Door Seals attach to the bottom of the door and seal against the body, preventing dirt and debris from entering the door sill area. Easy installation using peel-off backing.

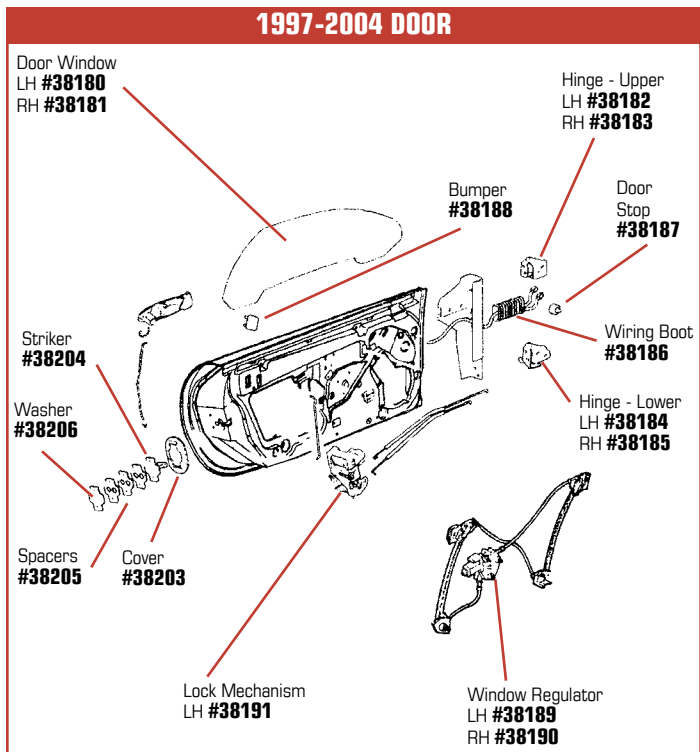


41794	97-04	Auxiliary Door Seals - pr.....	\$26⁹⁹
--------------	-------	--------------------------------	--------------------------



1997-2004 SILL PROTECTORS

43553	97-04	Sill Protector with C5 Logo - LH.....	\$81⁹⁹
43554	97-04	Sill Protector with C5 Logo - RH	\$67⁹⁹



DOOR CONTINUED



#49550



#49551



#55173

1997-2004 POLISHED STAINLESS SILL COVERS

These Stainless Steel Outer Door Sill Covers for the C5 protect your outer door sills while providing a new element of style. They're available in Polished or Brushed finishes with or without the C5 logo and script. Combine these with a matching Inner Door Sill Cover for complete protection.

49552	97-04	Brushed SS Sill Covers, Ribbed - Outer - pr.....	\$179⁹⁹
49553	97-04	Brushed SS Sill Covers w/ Logo - Outer - pr.....	\$269⁹⁹
49555	97-04	Brushed SS Sill Covers - Inner - pr.....	\$116⁹⁹
49550	97-04	Polished SS Sill Covers, Ribbed - Outer - pr.....	\$179⁹⁹
49551	97-04	Polished SS Sill Covers w/ Logo - Outer - pr.....	\$269⁹⁹
49554	97-04	Polished SS Sill Covers - Inner - pr.....	\$116⁹⁹
55173	97-04	Polished SS Sill Covers Plain - Outer - pr.....	\$179⁹⁹
55179	97-04	Satin SS Sill Covers Plain - Outer - pr.....	\$179⁹⁹



1997-2004 BILLET ALUMINUM DOOR SILL w/ LOGO

Attaches with adhesive back. No drilling required.

42722	97-04	Billet Aluminum Door Sill w/ C5 Logo - pr.....	\$183⁹⁹
--------------	-------	--	---------------------------



1997-2004 IMPERIAL SILL COVERS

A new hi-tech design for your sills! Oval cutouts have carbon fiber inserts and textured black vinyl in scuff areas. Install in just minutes - simply peel off tape backing and press in place!

21299	97-04	Black Matte - pr.....	\$76⁹⁹
21300	97-04	Chrome - pr.....	\$93⁹⁹



1997-2004 SILL EASE

Clean, elegant and durable protection for the next generation. Sill Ease Acrylic protectors keep your C5 looking great! Sold in pairs.

34838	1997-2004	Clear
34837	1997-2004	Clear w/ Corvette Script
34839	1997-2004	Black w/ Corvette Script

1997-2004 Sill Ease.....	\$81⁹⁹
--------------------------	--------------------------



#55180 1997-2004
Polished Door Jamb Covers



#55194 1997-2004
Polished Show Prop Bar

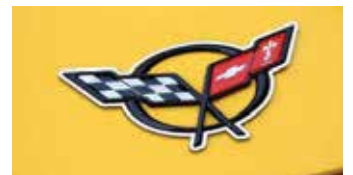
1997-2004 POLISHED DOOR ACCESSORIES

55180	97-04	Polished Door Jamb Covers - 2 pc.....	\$224⁹⁹
55181	97-04	Polished Lambo Door Jamb Covers - 4 pc.....	\$350⁹⁹
55182	97-04	Polished Vanity Plates, Etched with Initials (call).....	\$98⁹⁹
55193	97-04	Polished Show Prop Bar - Driver Side.....	\$46⁹⁹
55194	97-04	Polished Show Prop Bar - Passenger Side.....	\$46⁹⁹

EMBLEMS



#55235 1997-2004
Polished Emblem Inserts - 8 pc.



#55236 1997-2004
Polished Emblem Trim - 2 pc.



#38235



#49916

1997-2004 EMBLEMS

49979	03	Front Bumper Emblem - 50th Annv.....	\$171⁹⁹
49916	03	Side Fender Emblem - 50th Annv.....	\$260⁹⁹
38235	97-04	Nose Emblem.....	\$161⁹⁹
38236	97-04	Rear Emblem.....	\$94⁹⁹
55236	97-04	Emblem Trim, Polished - 2pc.....	\$40⁹⁹
55235	97-04	Emblem Inserts, Polished - 8pc.....	\$40⁹⁹

1997-2004 LS1 BILLET ALUMINUM EMBLEM

Put the badge of authority on your LS1-powered Corvette. The Billet Aluminum LS1 Emblem is styled like the Z06 fender badge and has a hard-anodized finish. Place it on your fenders, rear bumper or anywhere you like with the self-adhesive backing.



47436	97-04	Emblem - LS1 Billet Aluminum.....	\$101⁹⁹
--------------	-------	-----------------------------------	---------------------------



WARNING: Cancer and Reproductive Harm -
www.P65Warnings.ca.gov

(833) 4TopFlight | TopFlightAutomotive.com



ENGINE



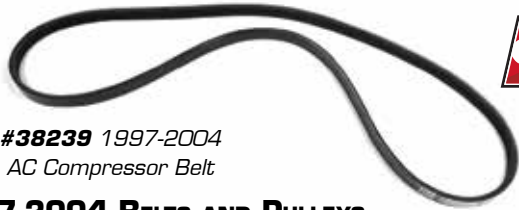
#38241 1997-2004
Idle Pulley - AC Comp Belt



#38243 1997-2004
Belt Tensioner - AC Comp Belt



#38242 1997-2004
Belt Tensioner -
WP/Gen/PS Belt



#38239 1997-2004
AC Compressor Belt

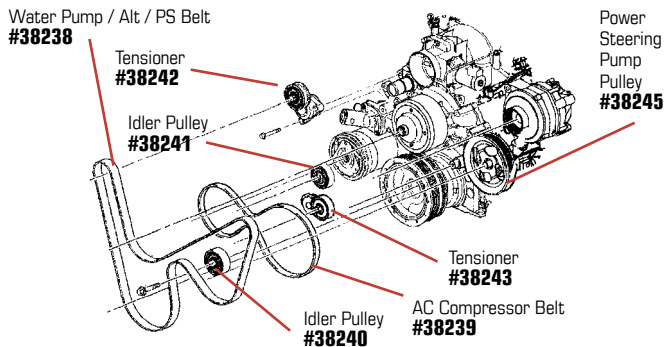
1997-2004 BELTS AND PULLEYS

38239	97-04	Belt - AC Compressor.....	\$22⁹⁹
38238	97-04	Belt - Water Pump / Gen / PS.....	\$41⁹⁹
38242	97-00	Belt Tensioner - WP / Gen / PS Belt.....	\$81⁹⁹
38243	97-04	Belt Tensioner - AC Comp Belt.....	\$91⁹⁹
50079	97-04	Belt Tensioner - AC Drive Belt.....	\$24⁹⁹
51010	97-04	Crank Shaft Balancer Bolt.....	\$6⁹⁹
50074	01-04	Drive Belt Tensioner.....	\$80⁹⁹
38241	97-04	Idle Pulley - AC Comp Belt.....	\$27⁹⁹
38240	97-04	Idle Pulley - WP / Gen / PS Belt.....	\$24⁹⁹
50932	97-04	Idle Pulley.....	\$13⁹⁹
38245	97-04	Pulley - Power Steering Pump.....	\$27⁹⁹
50561	97-04	Output Shaft Seal.....	\$60⁹⁹

1997-2004 ENGINE Misc.

50759	97-04	Ignition Coil.....	\$61⁹⁹
51740	97-04	PCV Tube - Dirty Air - U-Shaped.....	\$3⁹⁹
50760	97-04	PCV Valve.....	\$4⁹⁹
50380	97-04	Starter Motor - Remanufactured LS1.....	\$264⁹⁹
51731	00	Body Control Module.....	\$921⁹⁹
51732	01-04	Body Control Module.....	\$1236⁹⁹
51752	97-04	Body Control Module LS1.....	\$973⁹⁹
51736	97-04	Spark Plug - Delco.....	\$11⁹⁹

1997-2004 ENGINE BELTS & PULLEYS



1997-2004 SPARK PLUG WIRES

Carbon-core wires wrapped with fine monel, covered with a pure silicone inner sleeve and nylon web outer sleeve and two-piece ends with a spring steel clip. T.P.I.S. manufactures these wires specifically for your computer-controlled C5 engine to suppress radio interference and reduce cross-firing. Tests show that these wires consistently improve 0-60 times.

Covered by a manufacturer's lifetime guarantee.

34303	97-04	Spark Plug Wires LS Series V8 HP.....	\$100⁹⁹
51473	97-04	Spark Plug Wires w/ Tubes.....	\$101⁹⁹



51131	97-04	Accel Extreme 9000 Spiral Spark Plug Wires.....	\$128⁹⁹
--------------	-------	---	---------------------------

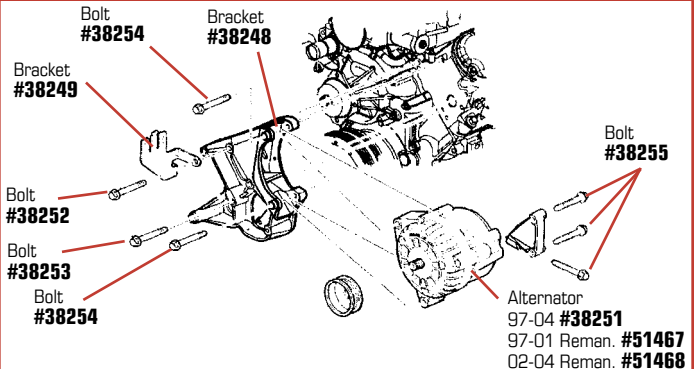
#51468 2001-2003
Alternator - 110 Amp



1997-2004 ALTERNATOR

38251	97-04	Alternator.....	\$519⁹⁹
51467	97-01	Alternator 110 Amp - Remanufactured.....	\$354⁹⁹
51468	01-03	Alternator 110 Amp - Remanufactured.....	\$256⁹⁹
38253	97-04	Generator Mount/Park Brake Cable Bracket Bolt.....	\$4⁹⁹
38254	97-04	Generator Mount Bracket Bolt - 2 req'd.....	\$7⁹⁹
38252	97-04	Generator Mount Bracket Bolt - 3 req'd.....	\$2⁹⁹
38397	97-04	Alternator Mount Bracket Upper Bolt.....	\$5⁹⁹
38255	97	Bolt - Alternator Rear Mount - 3 req'd.....	\$4⁹⁹
38248	97-04	Bracket - Gen & PS Pump Mount.....	\$117⁹⁹
38249	97-04	Bracket - PS Fluid Reservoir.....	\$9⁹⁹
50300	97-04	Engine Mount.....	\$117⁹⁹
50592	97-04	Vibration Damper.....	\$147⁹⁹

1997-2004 ALTERNATOR MOUNTING



ENGINE CONTINUED



#38269 1997-2004
Oil Pump



#38263 1997-2004
Oil Pan Drain
Plug Gasket



#38259 1997-2004
Oil Filter - PF46



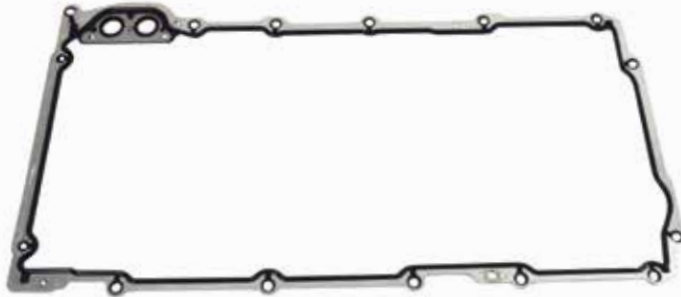
#38264 1997-2004
Oil Filter Fitting



#38262 1997-2004
Oil Drain Plug



#38268 1997-2004
Oil Level Indicator
Sensor/Switch



#38261 Oil Pan Gasket

1997-2004 OIL SYSTEM

38266	97-04	Oil Deflector for Crankshaft	\$32 ⁹⁹
50912	97-04	Oil Filler Cap - Replacement	\$5 ⁹⁹
39391	97-02	Oil Filler Cap - GM	\$14 ⁹⁹
50470	97-04	Oil Filter - LS1 / LS2 / LS6 Performance - K&N	\$14 ⁹⁹
38259	97-04	Oil Filter - PF46	\$5 ⁹⁹
38273	02-04	Oil Filter Bypass Valve	\$5 ⁹⁹
38264	97-04	Oil Filter Fitting	\$8 ⁹⁹
38268	97-04	Oil Level Indicator Sensor & Switch	\$22 ⁹⁹
38260	97-04	Oil Pan	\$129 ⁹⁹
38265	97-99	Oil Pan Baffle	\$23 ⁹⁹
38262	97-04	Oil Pan Drain Plug	\$4 ⁹⁹
38263	97-04	Oil Pan Drain Plug Gasket	\$3 ⁹⁹
38261	97-04	Oil Pan Gasket	\$45 ⁹⁹
38272	97-04	Oil Pressure Sensor - Reproduction	\$65 ⁹⁹
51751	97-04	Oil Pressure Sensor - GM	\$78 ⁹⁹
38269	97-04	Oil Pump	\$112 ⁹⁹
38267	97-04	Oil Pump Screen & Suction Pipe	\$52 ⁹⁹
38271	97-98	Oil Temperature Sensor	\$23 ⁹⁹



#38276



#38277

1997-2004 VALVE COVERS

38276	99-04	Valve Cover - LH	\$93 ⁹⁹
38277	99-00	Valve Cover - RH	\$93 ⁹⁹
38279	97-98	Valve Cover Gasket - 2 req'd	\$26 ⁹⁹
38280	99-04	Valve Cover Gasket - 2 req'd	\$24 ⁹⁹

1999-2004 ENGINE CONTROL MODULES

These remanufactured ECM computers will require programming prior to and after installation.

51084	99-00	ECM - Remanufactured	\$148 ⁹⁹
51086	01-03	ECM - Remanufactured	\$127 ⁹⁹
51092	04	ECM - Remanufactured Replaces GM#12581565	\$273 ⁹⁹
51093	04	ECM - Remanufactured Replaces GM#12586243 & 89017739	\$328 ⁹⁹

ENGINE COMPARTMENT



#40369 1997-2004
Chrome Radiator Cap Cover



#42760 1997-2004 Chrome
Clutch Master Cylinder Cap Cover



#42757 1997-2004
Hood Shock Covers



1997-2004 CHROMED COPPER ACCENTS

42760	97-04	Clutch Master Cylinder Cap Cover	\$24 ⁹⁹
43454	97-04	Fan Motor Cover	\$40 ⁹⁹
42757	97-04	Hood Shock Covers - pr	\$40 ⁹⁹
40365	97-04	Master Cylinder Cap Cover	\$23 ⁹⁹



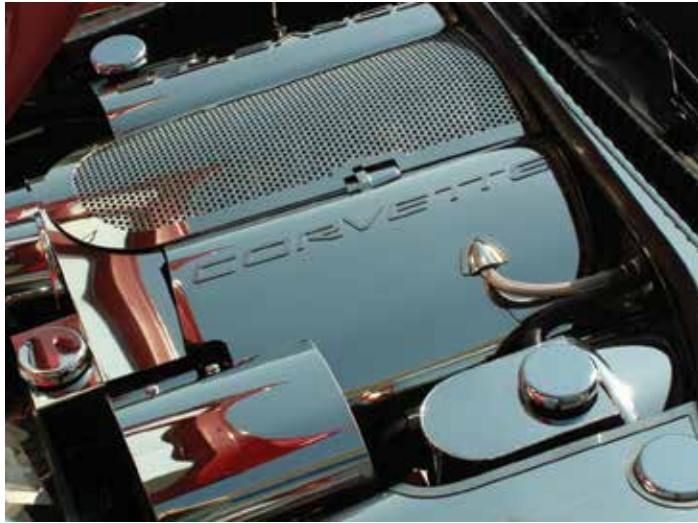
WARNING: Cancer and Reproductive Harm -
www.P65Warnings.ca.gov

(833) 4TopFlight | TopFlightAutomotive.com





Hand-crafted stainless steel accessories Made in the USA!



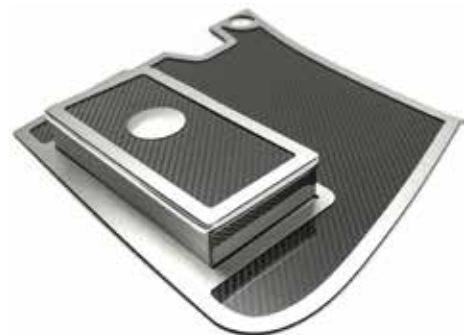
1997-2004 Plenum and Fuel Rail Accents

55302	97-04	Plenum Cover, Polished	\$152⁹⁹
55303	97-04	Plenum Cover, Perforated, Low Profile	\$215⁹⁹
55304	99-04	Fuel Rail Covers w/ Oil Cap Cover, Polished - 2pc...	\$233⁹⁹
55305	99-04	Fuel Rail Covers w/ Oil Cap Cover, Polished "CORVETTE" Lettering - 2pc	\$296⁹⁹
55306	97-98	Fuel Rail Covers w/ Oil Cap Cover, Polished - 2pc...	\$233⁹⁹
55312	99-04	Fuel Rail Covers, Perforated, Replacement Style, w/ Cap Cover	\$341⁹⁹
55313	99-04	Fuel Rail Covers, Polished, Replacement Style w/ Cap Cover	\$287⁹⁹
55314	99-04	Fuel Rail Covers, Perforated, w/ Passenger Replacement Cover End Cap.....	\$89⁹⁹
55331	97-04	Plenum Cover, Perforated, Low Profile Illuminated Blue LED	\$143⁹⁹
55332	97-04	Plenum Cover, Perforated, Low Profile Illuminated Green LED.....	\$341⁹⁹
55333	97-04	Plenum Cover, Perforated, Low Profile Illuminated Red LED.....	\$341⁹⁹
55334	97-04	Plenum Cover, Perforated, Low Profile Illuminated White LED.....	\$341⁹⁹
55335	97-04	Plenum Cover, Perforated, Low Profile Illuminated Yellow LED	\$341⁹⁹



1997-2004 Cowl/Master Cylinder

55283	97-04	Wiper Cowl, Polished - 2pc	\$103⁹⁹
55284	97-04	Wiper Cowl Perforated - 2pc	\$179⁹⁹
55327	97-04	Firewall, Satin - 2pc.....	\$206⁹⁹
55285	97-04	Master Cylinder Cover, Polished, w/ Cap Cover.....	\$103⁹⁹
55286	97-04	Brake Booster Cover, Polished	\$116⁹⁹
55370	97-04	Master Cylinder Cover, w/ Cap Cover, Perforated ...	\$152⁹⁹
55387	97-04	Master Cylinder Cover w/ Cover Cap, Black Carbon Fiber Vinyl Crossed Flags Inlay	\$143⁹⁹
55388	97-04	Master Cylinder Cover w/ Cover Cap, Blue Carbon Fiber Vinyl Crossed Flags Inlay.....	\$143⁹⁹
55389	97-04	Master Cylinder Cover w/ Cover Cap, Green Carbon Fiber Vinyl Crossed Flags Inlay	\$143⁹⁹
55390	97-04	Master Cylinder Cover w/ Cover Cap, Orange Carbon Fiber Vinyl Crossed Flags Inlay.....	\$143⁹⁹
55391	97-04	Master Cylinder Cover w/ Cover Cap, Red Carbon Fiber Vinyl Crossed Flags Inlay	\$143⁹⁹
55392	97-04	Master Cylinder Cover w/ Cover Cap, White Carbon Fiber Vinyl Crossed Flags Inlay	\$143⁹⁹
55393	97-04	Master Cylinder Cover w/ Cover Cap, Yellow Carbon Fiber Vinyl Crossed Flags Inlay	\$143⁹⁹



1997-2004 Battery and Related

55281	97-04	Battery Fuse Box Cover, Polished	\$179⁹⁹
55282	97-04	Battery Fuse Box Cover, Perforated.....	\$242⁹⁹
55316	97-04	Battery Shroud Cover, Satin.....	\$143⁹⁹
55394	97-04	Battery Fuse Box Cover Real Carbon Fiber w/ Satin Trim	\$269⁹⁹
55353	97-04	Fuse Box Cover, Stand Alone.....	\$89⁹⁹





1997-2004 STAINLESS STEEL UNDER-HOOD ACCENTS

55276	97	Hood Insert, Upper Right, Polished, Etched	\$62⁹⁹
55277	98	Hood Insert, Upper Right, Polished, Etched	\$62⁹⁹
55278	99	Hood Insert, Upper Right, Polished, Etched	\$62⁹⁹
55271	00	Hood Insert, Upper Right, Polished, Etched	\$62⁹⁹
55272	01	Hood Insert, Upper Right, Polished, Etched	\$62⁹⁹
55273	02	Hood Insert, Upper Right, Polished, Etched	\$62⁹⁹
55274	03	Hood Insert, Upper Right, Polished, Etched	\$62⁹⁹
55275	04	Hood Insert, Upper Right, Polished, Etched	\$62⁹⁹
55279	97-04	Hood Center Brace Cover, Polished	\$80⁹⁹
55280	97-04	Hood Accent Kit, Polished - 3pc	\$94⁹⁹
55352	97-04	Hood Panel, Perforated - 5pc	\$854⁹⁹
55369	97-04	Hood Badge, Stainless Emblem	\$206⁹⁹

1997-2004 Inner Fender Accents

55290	97-04	Inner Fender Covers, Polished, w/ Cap Cover	\$314⁹⁹
55292	97-04	Inner Fender Cover Extender, Polished	\$46⁹⁹
55294	97-04	Inner Fender Accent Plates, Polished	\$197⁹⁹
55295	97-04	Inner Fender Extended Accent Plates, Polished	\$233⁹⁹
55296	97-04	Inner Fender Liners, Polished w/ Top Caps - 4pc	\$197⁹⁹
55336	97-04	Inner Fender Accent Plates, Perforated	\$350⁹⁹
55297	97-04	Inner Fender Liners, Polished w/ Illuminated Top Caps, Blue LED - 4pc	\$377⁹⁹
55298	97-04	Inner Fender Liners, Polished w/ Illuminated Top Caps, Green LED - 4pc	\$377⁹⁹
55299	97-04	Inner Fender Liners, Polished w/ Illuminated Top Caps, Red LED - 4pc	\$377⁹⁹
55300	97-04	Inner Fender Liners, Polished w/ Illuminated Top Caps, White LED - 4pc	\$377⁹⁹
55301	97-04	Inner Fender Liners, Polished w/ Illuminated Top Caps, Yellow LED - 4pc	\$377⁹⁹



1997-2004 Radiator Covers and Nose Cap

55324	97-04	Radiator Cover, Polished	\$224⁹⁹
55325	97-04	Radiator Cover, Perforated	\$287⁹⁹
55326	97-04	Radiator Cover, End Caps, Polished	\$59⁹⁹
55291	97-04	Nose Cap, Front, Polished	\$103⁹⁹
55293	97-04	Headlight Buckets, Polished - 2pc	\$44⁹⁹
55337	97-04	Headlight Buckets, Deluxe, Polished - 2pc	\$89⁹⁹

1997-2004 THROTTLE BODY/AIR TUB COVERS

55311	97-04	Throttle Body - Power Steering Cover, Polished, w/ Cap Cover	\$179⁹⁹
55308	97-04	Air Bridge Cover, Factory Tube, Polished	\$89⁹⁹
55328	97-04	Air Tunnel Cover, Polished	\$251⁹⁹
55329	97-04	Air Tube Cover Perforated	\$278⁹⁹

1997-2004 Water Tank/Washer Fluid Tank Covers

55287	97-04	Water Tank Cover, Polished, w/ Cap Covers	\$152⁹⁹
55288	97-04	Window Washer Fluid Tank Cover, Polished, w/ Cap Cover, Auto Transmission	\$152⁹⁹
55289	97-04	Window Washer Fluid Tank Cover, Polished, w/ Cap Cover, Manual Transmission	\$152⁹⁹



WARNING: Cancer and Reproductive Harm -
www.P65Warnings.ca.gov

(833) 4TopFlight | TopFlightAutomotive.com





1997-2004 Alternator Covers

55307	97-04	Polished	\$71⁹⁹
55315	97-04	Perforated	\$143⁹⁹
55330	97-04	Alternator Pulley, Polished Dress Up Kit.....	\$34⁹⁹

Deluxe Alternator Covers

55373	97-04	Crossed Flags Inlay - Carbon Fiber Black.....	\$152⁹⁹
55374	97-04	Crossed Flags Inlay - Carbon Fiber Blue	\$152⁹⁹
55378	97-04	Crossed Flags Inlay - Carbon Fiber Green.....	\$152⁹⁹
55379	97-04	Crossed Flags Inlay - Carbon Fiber Orange	\$152⁹⁹
55380	97-04	Crossed Flags Inlay - Carbon Fiber Purple	\$152⁹⁹
55381	97-04	Crossed Flags Inlay - Carbon Fiber Red.....	\$152⁹⁹
55385	97-04	Crossed Flags Inlay - Carbon Fiber White.....	\$152⁹⁹
55386	97-04	Crossed Flags Inlay - Carbon Fiber Yellow.....	\$152⁹⁹
55372	97-04	Crossed Flags Inlay - Solid Satin Black.....	\$152⁹⁹
55375	97-04	Crossed Flags Inlay - Solid Bright Red	\$152⁹⁹
55376	97-04	Crossed Flags Inlay - Solid Dark Blue	\$152⁹⁹
55377	97-04	Crossed Flags Inlay - Solid Garnet Red.....	\$152⁹⁹
55382	97-04	Crossed Flags Inlay - Solid Black	\$152⁹⁹
55383	97-04	Crossed Flags Inlay - Solid Synergy Green	\$152⁹⁹
55384	97-04	Crossed Flags Inlay - Solid Yellow	\$152⁹⁹



1997-2004 Belt Tension Covers

55309	97-04	Belt Tension Cover, Polished	\$74⁹⁹
55323	97-04	Belt Tension Cover, Perforated	\$170⁹⁹



1997-2004 Fluid Cap Cover Sets - Executive Series

55310	97-04	Automatic Trans - 5 pc	\$96⁹⁹
54847	97-04	Chrome/Gold, Executive Series - 5 pc.....	\$131⁹⁹
54869	97-04	Cap Cover Clutch, Triple Chrome Plated Caps w/ Satin Stainless Steel Accents	\$17⁹⁹
55355	97-04	Carbon Fiber Vinyl Inlay - Black - 5 pc	\$116⁹⁹
55356	97-04	Carbon Fiber Vinyl Inlay - Blue - 5 pc.....	\$116⁹⁹
55357	97-04	Carbon Fiber Vinyl Inlay - Green - 5 pc	\$116⁹⁹
55358	97-04	Carbon Fiber Vinyl Inlay - Orange - 5 pc	\$116⁹⁹
55359	97-04	Carbon Fiber Vinyl Inlay - Red - 5 pc	\$116⁹⁹
55360	97-04	Carbon Fiber Vinyl Inlay - White - 5 pc.....	\$116⁹⁹
55361	97-04	Carbon Fiber Vinyl Inlay - Yellow - 5 pc.....	\$116⁹⁹
55417	97-04	Carbon Fiber Vinyl Inlay - Purple - 5 pc.....	\$116⁹⁹
55362	97-04	Carbon Fiber Vinyl Inlay - Black - 6 pc	\$140⁹⁹
55363	97-04	Carbon Fiber Vinyl Inlay - Blue - 6 pc	\$140⁹⁹
55364	97-04	Carbon Fiber Vinyl Inlay - Green - 6 pc	\$140⁹⁹
55365	97-04	Carbon Fiber Vinyl Inlay - Orange - 6 pc	\$140⁹⁹
55366	97-04	Carbon Fiber Vinyl Inlay - Red - 6 pc	\$140⁹⁹
55367	97-04	Carbon Fiber Vinyl Inlay - White - 6 pc	\$140⁹⁹
55368	97-04	Carbon Fiber Vinyl Inlay - Yellow - 6 pc	\$140⁹⁹
55425	97-04	Carbon Fiber Vinyl Inlay - Purple - 6 pc.....	\$116⁹⁹
55371	97-04	Standard - 6 pc.....	\$116⁹⁹
55413	97-04	Solid Vinyl Inlay - Black - 5 pc.....	\$116⁹⁹
55414	97-04	Solid Vinyl Inlay - Bright Red - 5 pc.....	\$116⁹⁹
55415	97-04	Solid Vinyl Inlay - Dark Blue - 5 pc	\$116⁹⁹
55416	97-04	Solid Vinyl Inlay - Garnet Red - 5 pc.....	\$116⁹⁹
55418	97-04	Solid Vinyl Inlay - Synergy Green - 5 pc.....	\$116⁹⁹
55419	97-04	Solid Vinyl Inlay - Yellow - 5 pc	\$116⁹⁹
55420	97-04	Solid Vinyl Inlay - Satin Black - 5 pc	\$116⁹⁹
55421	97-04	Solid Vinyl Inlay - Black - 6 pc.....	\$116⁹⁹
55422	97-04	Solid Vinyl Inlay - Bright Red - 6 pc.....	\$116⁹⁹
55423	97-04	Solid Vinyl Inlay - Dark Blue - 6 pc	\$116⁹⁹
55424	97-04	Solid Vinyl Inlay - Garnet Red - 6 pc.....	\$116⁹⁹
55426	97-04	Solid Vinyl Inlay - Synergy Green - 6 pc.....	\$116⁹⁹
55427	97-04	Solid Vinyl Inlay - Yellow - 6 pc	\$116⁹⁹
55428	97-04	Solid Vinyl Inlay - Satin Black - 6 pc	\$116⁹⁹





1997-2004 Fluid Cap Cover Sets

Dress up your C5 Corvette with a chrome and brushed stainless steel fluid cap cover set. Features a laser-etched C5 logo with your choice of vinyl inlay color.

55395	97-04	Cap Cover Set Plain Chrome Automatic - 5pc.....	\$76⁹⁹
55396	97-04	Cap Cover Set Plain Chrome Standard - 6pc.....	\$89⁹⁹
54885	97-04	Slotted, Carbon Fiber Vinyl Inlay - Black - 5 pc.....	\$96⁹⁹
54886	97-04	Slotted, Carbon Fiber Vinyl Inlay - Blue - 5 pc.....	\$96⁹⁹
54887	97-04	Slotted, Carbon Fiber Vinyl Inlay - Green - 5 pc.....	\$96⁹⁹
54888	97-04	Slotted, Carbon Fiber Vinyl Inlay - Orange - 5 pc.....	\$96⁹⁹
55078	97-04	Slotted, Carbon Fiber Vinyl Inlay - Purple - 5 pc.....	\$96⁹⁹
54889	97-04	Slotted, Carbon Fiber Vinyl Inlay - Red - 5 pc.....	\$96⁹⁹
54890	97-04	Slotted, Carbon Fiber Vinyl Inlay - White - 5 pc.....	\$96⁹⁹
54891	97-04	Slotted, Carbon Fiber Vinyl Inlay - Yellow - 5 pc.....	\$96⁹⁹
54896	97-04	Carbon Fiber Vinyl Bowtie Inlay - Black - 5 pc.....	\$119⁹⁹
54897	97-04	Carbon Fiber Vinyl Bowtie Inlay - Blue - 5 pc.....	\$119⁹⁹
54898	97-04	Carbon Fiber Vinyl Bowtie Inlay - Green - 5 pc.....	\$119⁹⁹
54899	97-04	Carbon Fiber Vinyl Bowtie Inlay - Orange - 5 pc.....	\$119⁹⁹
55101	97-04	Carbon Fiber Vinyl Bowtie Inlay - Purple - 5 pc.....	\$119⁹⁹
54900	97-04	Carbon Fiber Vinyl Bowtie Inlay - Red - 5 pc.....	\$119⁹⁹
54901	97-04	Carbon Fiber Vinyl Bowtie Inlay - White - 5 pc.....	\$119⁹⁹
54902	97-04	Carbon Fiber Vinyl Bowtie Inlay - Yellow - 5 pc.....	\$119⁹⁹
54903	97-04	Slotted, Carbon Fiber Vinyl Inlay - Black - 6 pc.....	\$116⁹⁹
54904	97-04	Slotted, Carbon Fiber Vinyl Inlay - Blue - 6 pc.....	\$116⁹⁹
54905	97-04	Slotted, Carbon Fiber Vinyl Inlay - Green - 6 pc.....	\$116⁹⁹
54906	97-04	Slotted, Carbon Fiber Vinyl Inlay - Orange - 6 pc.....	\$116⁹⁹
55110	97-04	Slotted, Carbon Fiber Vinyl Inlay - Purple - 6 pc.....	\$116⁹⁹
54907	97-04	Slotted, Carbon Fiber Vinyl Inlay - Red - 6 pc.....	\$116⁹⁹
54908	97-04	Slotted, Carbon Fiber Vinyl Inlay - White - 6 pc.....	\$116⁹⁹
54909	97-04	Slotted, Carbon Fiber Vinyl Inlay - Yellow - 6 pc.....	\$116⁹⁹
55074	97-04	Slotted, Solid Vinyl Inlay - Satin Black - 5 pc.....	\$96⁹⁹
55075	97-04	Slotted, Solid Vinyl Inlay - Bright Red - 5 pc.....	\$96⁹⁹
55076	97-04	Slotted, Solid Vinyl Inlay - Dark Blue - 5 pc.....	\$96⁹⁹
55077	97-04	Slotted, Solid Vinyl Inlay - Garnet Red - 5 pc.....	\$96⁹⁹
55079	97-04	Slotted, Solid Vinyl Inlay - Black - 5 pc.....	\$96⁹⁹
55080	97-04	Slotted, Solid Vinyl Inlay - Synergy Green - 5 pc.....	\$96⁹⁹
55081	97-04	Slotted, Solid Vinyl Inlay - Yellow - 5 pc.....	\$96⁹⁹
55102	97-04	Solid Vinyl Bowtie Inlay - Black - 5 pc.....	\$119⁹⁹

55098	97-04	Solid Vinyl Bowtie Inlay - Bright Red - 5 pc.....	\$119⁹⁹
55099	97-04	Solid Vinyl Bowtie Inlay - Dark Blue - 5 pc.....	\$119⁹⁹
55100	97-04	Solid Vinyl Bowtie Inlay - Garnet Red - 5 pc.....	\$119⁹⁹
55097	97-04	Solid Vinyl Bowtie Inlay - Satin Black - 5 pc.....	\$119⁹⁹
55103	97-04	Solid Vinyl Bowtie Inlay - Synergy Green - 5 pc.....	\$119⁹⁹
55104	97-04	Solid Vinyl Bowtie Inlay - Yellow - 5 pc.....	\$119⁹⁹
55111	97-04	Slotted, Solid Vinyl Inlay - Black - 6 pc.....	\$116⁹⁹
55107	97-04	Slotted, Solid Vinyl Inlay - Bright Red - 6 pc.....	\$116⁹⁹
55108	97-04	Slotted, Solid Vinyl Inlay - Dark Blue - 6 pc.....	\$116⁹⁹
55109	97-04	Slotted, Solid Vinyl Inlay - Garnet Red - 6 pc.....	\$116⁹⁹
55106	97-04	Slotted, Solid Vinyl Inlay - Satin Black - 6 pc.....	\$116⁹⁹
55112	97-04	Slotted, Solid Vinyl Inlay - Synergy Green - 6 pc.....	\$116⁹⁹
55113	97-04	Slotted, Solid Vinyl Inlay - Yellow - 6 pc.....	\$116⁹⁹

1997-2004 Fluid Cap Cover Sets - Chrome Caps with C5 Crossed Flags

55338	97-04	Carbon Fiber Vinyl Inlay - Black - 5 pc.....	\$119⁹⁹
55339	97-04	Carbon Fiber Vinyl Inlay - Blue - 5 pc.....	\$119⁹⁹
55340	97-04	Carbon Fiber Vinyl Inlay - Green - 5 pc.....	\$119⁹⁹
55341	97-04	Carbon Fiber Vinyl Inlay - Orange - 5 pc.....	\$119⁹⁹
55401	97-04	Carbon Fiber Vinyl Inlay - Purple - 5 pc.....	\$119⁹⁹
55342	97-04	Carbon Fiber Vinyl Inlay - Red - 5 pc.....	\$119⁹⁹
55343	97-04	Carbon Fiber Vinyl Inlay - White - 5 pc.....	\$119⁹⁹
55344	97-04	Carbon Fiber Vinyl Inlay - Yellow - 5 pc.....	\$119⁹⁹
55345	97-04	Carbon Fiber Vinyl Inlay - Black - 6 pc.....	\$143⁹⁹
55346	97-04	Carbon Fiber Vinyl Inlay - Blue - 6 pc.....	\$143⁹⁹
55347	97-04	Carbon Fiber Vinyl Inlay - Green - 6 pc.....	\$143⁹⁹
55348	97-04	Carbon Fiber Vinyl Inlay - Orange - 6 pc.....	\$143⁹⁹
55409	97-04	Carbon Fiber Vinyl Inlay - Purple - 6 pc.....	\$119⁹⁹
55349	97-04	Carbon Fiber Vinyl Inlay - Red - 6 pc.....	\$143⁹⁹
55350	97-04	Carbon Fiber Vinyl Inlay - White - 6 pc.....	\$143⁹⁹
55351	97-04	Carbon Fiber Vinyl Inlay - Yellow - 6 pc.....	\$143⁹⁹
55397	97-04	Solid Vinyl Inlay - Black - 5 pc.....	\$119⁹⁹
55398	97-04	Solid Vinyl Inlay - Bright Red - 5 pc.....	\$119⁹⁹
55399	97-04	Solid Vinyl Inlay - Dark Blue - 5 pc.....	\$119⁹⁹
55400	97-04	Solid Vinyl Inlay - Garnet Red - 5 pc.....	\$119⁹⁹
55404	97-04	Solid Vinyl Inlay - Satin Black - 5 pc.....	\$119⁹⁹
55402	97-04	Solid Vinyl Inlay - Synergy Green - 5 pc.....	\$119⁹⁹
55403	97-04	Solid Vinyl Inlay - Yellow - 5 pc.....	\$119⁹⁹
55405	97-04	Solid Vinyl Inlay - Black - 6 pc.....	\$119⁹⁹
55406	97-04	Solid Vinyl Inlay - Bright Red - 6 pc.....	\$119⁹⁹
55407	97-04	Solid Vinyl Inlay - Dark Blue - 6 pc.....	\$119⁹⁹
55408	97-04	Solid Vinyl Inlay - Garnet Red - 6 pc.....	\$119⁹⁹
55412	97-04	Solid Vinyl Inlay - Satin Black - 6 pc.....	\$119⁹⁹
55410	97-04	Solid Vinyl Inlay - Synergy Green - 6 pc.....	\$119⁹⁹
55411	97-04	Solid Vinyl Inlay - Yellow - 6 pc.....	\$119⁹⁹
55354	02-04	Z06 405HP Emblem Series - 6 pc.....	\$143⁹⁹



WARNING: Cancer and Reproductive Harm - www.P65Warnings.ca.gov

(833) 4TopFlight | TopFlightAutomotive.com





EXHAUST



1997-2004 QUAD CRUISER PERFORMANCE EXHAUST

- » Manufacturer's Million Mile Lifetime Warranty
- » Slightly louder than stock
- » Polished T-304 Stainless Steel Construction
- » 3.5" Twin Wall Round Angle Cut Polished Tips

T-304 Stainless Steel constructed 2.5" pipes reduce backpressure, but still allow for quiet cruising with no drone. Refined, powerful sound with a more aggressive tone under heavy acceleration. Comes complete with stainless steel clamps and everything you need for a fast, easy installation. For even more performance, pair this upgrade with the 97-04 Crossover Pipe below.

51516 97-04 Quad Cruiser Performance Exhaust **\$1019⁹⁹**



1997-2004 EXHAUST COMPONENTS

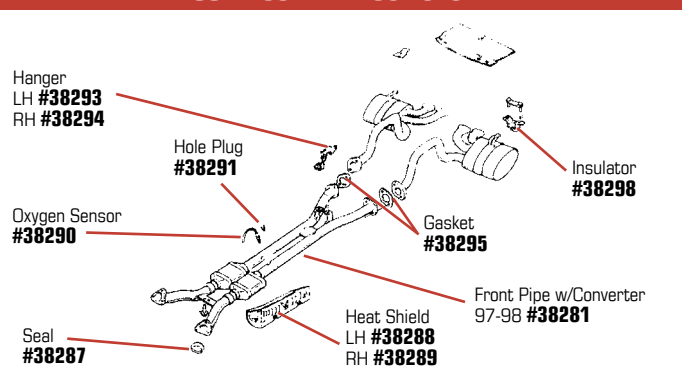
50737	94-03	Oxygen Sensor - LS1	\$45⁹⁹
38291	97	Oxygen Sensor Hole Plug - 4 req'd.....	\$5⁹⁹
38281	97-99	Exhaust Pipe w/ Converter - Front.....	\$2374⁹⁹
38290	97-99	Oxygen Sensor - After Converter - 2 req'd.....	\$75⁹⁹
38298	97-00	Muffler Hanger Insulator	\$81⁹⁹
38292	97-02	Oxygen Sensor - Before Converter - 2 req'd.....	\$57⁹⁹
38288	97-04	Converter Heat Shield - LH.....	\$8⁹⁹
38289	97-04	Converter Heat Shield - RH.....	\$8⁹⁹
38293	97-04	Exhaust Pipe Hanger - LH.....	\$23⁹⁹
38294	97-04	Exhaust Pipe Hanger - RH	\$21⁹⁹
38295	97-04	Gasket - Pipe to Muffler - 2 req'd	\$22⁹⁹
38287	97-04	Exhaust Pipe Seal to Manifold - 2 req'd	\$33⁹⁹
50063	97-04	A.I.R. System Check Valve.....	\$54⁹⁹
50875	00-04	A.I.R. Smog Pump	\$152⁹⁹
50767	01-04	Exhaust Manifold Air Tube.	\$166⁹⁹

1997-2004 X-STYLE CROSSOVER PIPE

Get even more performance from your exhaust upgrade by adding this X-Style Crossover Pipe. This precision component balances exhaust pulses, therefore aiding in the ridding of waste gas from the cylinders. This scavenging effect allows for better air/fuel flow on intake, thus providing enhanced power delivery, as well as a smoother exhaust note. Installation of this component will require the cutting of stock pipe.

51515 97-04 X-Style Crossover Pipe..... **\$305⁹⁹**

1997-2004 EXHAUST SYSTEM



EXHAUST ENHANCEMENTS



1997-2004 EXHAUST ENHANCEMENTS

These Exhaust Enhancements add a finishing touch to any C5 exhaust system. Z06 models come in polished Stainless Steel or 14K Gold-Plated finishes. Model #41901 is available in Steel only. Self-adhesive - simply peel off protective backing and press into place.

- 41897** 97-04 Exhaust Enhancement - SS w/ C5 Emblem **\$52⁹⁹**
- 41898** 97-04 Exhaust Enhancement - SS w/ Z06 Emblem **\$52⁹⁹**
- 41900** 97-04 Exhaust Enhancement - Gold w/ Z06 Emblem **\$50⁹⁹**
- 43743** 03 Exhaust Enhancement - SS w/ 50th Anniv. Emblem : **\$52⁹⁹**
- 44840** 02-04 Exhaust Enhancement - SS w/ Z06 405 HP **\$52⁹⁹**
- 41901** 97-04 Exhaust Enhancement - SS w/o Emblem..... **\$29⁹⁹**



1997-2004 CHROME BILLET EXHAUST PLATES

You will immediately notice the extraordinary attention to detail that went into each of these GM Licensed exhaust plates. The lightweight billet aluminum plate is milled to the proper depth so that the emblem is slightly raised above the surface for a striking, high-quality look. These triple chrome plated billet aluminum exhaust plates are available with the C5 emblem, the Z06 405 HP emblem, or the C5 50th Anniversary emblem. Installs easily with peel and stick adhesive. Compatible with all systems except the Corsa Tiger Shark system.

- 46350** 97-04 Chrome Billet Exh Plate - C5..... **\$199⁹⁹**
- 46352** 02-04 Chrome Billet Exh Plate - Z06 405 HP..... **\$203⁹⁹**
- 46351** 03 Chrome Billet Exh Plate - 50th Anniversary. **\$325⁹⁹**
- 45064** 97-04 LED Exhaust Enhancer Plate Light **\$50⁹⁹**

1997-2004 EXHAUST PLATES

Available in a variety of perfectly matched colors with the C5 logo, these 1997-2004 Exhaust plates attach to your exhaust with Hi-Performance 3M Adhesive Tape.



- 44842** 97-04 Black
- 44841** 97-04 Torch Red
- 44846** 98-02 Pewter
- 44843** 00-04 Millennium Yellow

97-04 Exhaust Plates..... **\$79⁹⁹**



1997-2004 EXHAUST FILLER PANELS

- 55201** 97-04 Exhaust Filler Panel, Polished..... **\$143⁹⁹**
- 55202** 97-04 Exhaust Filler Panel, Polished w/50th Anniversary.. **\$296⁹⁹**
- 55203** 97-04 Exhaust Filler Panel, Polished w/Crossed Flags **\$233⁹⁹**
- 55204** 97-04 Exhaust Filler Panel, Polished, w/Z06 **\$215⁹⁹**
- 55205** 97-04 Exhaust Filler Panel, Perforated **\$233⁹⁹**
- 55206** 97-04 Exhaust Filler Panel, Laser Mesh..... **\$278⁹⁹**
- 55207** 97-04 Exhaust Filler Panel, Polished - Borla Stinger Dual 4" Round Pipes **\$143⁹⁹**
- 55208** 97-04 Exhaust Filler Panel, Polished - Borla Stinger Quad Oval Pipes **\$143⁹⁹**
- 46349** 97-04 Exhaust Filler Panel, Polished - Corsa Pro Series Quad Tip..... **\$142⁹⁹**



1997-2000 STOCK EXHAUST TIPS

These are a direct fit upgrade for 1997-2000 and are standard equipment on 01-03 mufflers. Can be installed by welding, using epoxy or drilling a hole and using a sheet metal screw.

- X2490** 97-00 C5 Stainless Steel Exhaust Tips - set of 4 **\$76⁹⁹**



1997-2000 OVAL EXHAUST TIPS

A beautiful addition to your exterior, these stainless steel triple chrome plated tips feature angle cut ends and rolled edges. Simply bolt into place.

- 26139** 97-00 Chrome-Plated Oval Exhaust Tips - set of 4 **\$146⁹⁹**



WARNING: Cancer and Reproductive Harm - www.P65Warnings.ca.gov

(833) 4TopFlight | TopFlightAutomotive.com



EXTERIOR TRIM



1997-2004 CHROME BILLET SIDE MARKER LIGHT LOUVERS

Complete the custom look with these finished Side Marker Light Louvers. They are made from high quality billet aluminum and triple chrome plated. Sold in pairs.

46349 97-04 Chrome Billet Side Marker Louvers - pr\$142⁹⁹



1997-2004 CHROME BILLET REAR LICENSE FRAME

Milled from high-quality billet aluminum and triple chrome plated, the billet License Frame enhances the styling of your C5 and matches the billet Taillight Louver Sets. Includes chrome mounting hardware.

46345 97-04 Rear License Frame - Chrome Billet\$142⁹⁹

1997-2004 CHROME BILLET TAILLIGHT LOUVER SET

This 5 Piece Set will set off your C5 or Z06 Corvette and give it the unique style it deserves. Fits all 1997 to 2004 C5 and Z06 Corvettes. Complete 5 Pc. set for all brake lights. Triple chrome plated billet aluminum. Installation takes about 30 minutes and kit includes hardware.

46348 97-04 Chrome Billet Taillight Louvers 5 pc set.....\$223⁹⁹



1997-2004 CHROME BILLET TAILLIGHT LOUVER SET

This five-piece set includes four taillight louvers and the center brake light bezel, all beautifully machined from high quality aircraft billet aluminum and triple chrome plated. **All chrome mounting hardware is included. No drilling required.** The set includes four taillight louvers, center brake light bezel and chrome hardware.

49471 97-04 Chrome Billet Taillight Louvers 5 pc set\$356⁹⁹



1997-2004 TAILLIGHT LOUVER KITS

These Taillight Louvers showcase one of your Corvette's most distinctive features. These Taillight Louvers look great when installed just as they are, or for a more customized look, they can be painted to match your exterior color. Kits include 4 louvers. Constructed of black ABS plastic.

21396 97-04 Taillight Louver Kit\$35⁹⁹
41902 97-04 Taillight Louver Kit - Acrylic Black\$99⁹⁹
41903 97-04 Taillight Louver Kit - Acrylic Chrome.....\$99⁹⁹



1997-2004 PHANTOM LICENSE FRAMES

Give your Corvette the coolest look around with the Phantom License Frame! This full span frame integrates the recessed area and gives a dramatic custom look. Unique design eliminates visible fasteners. Made of tough ABS.

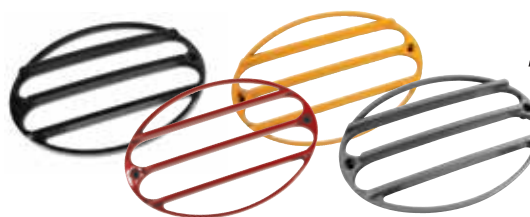
25669 97-00 Arctic White	25668 97-04 Silver
42592 97-02 Pewter	42594 00-04 Millennium Yellow
25665 97-04 Gloss Black	42588 01-04 Speedway White
25667 97-04 Red	

97-04 Phantom License Frame\$69⁹⁹



1997-2004 LICENSE LOUVERS

41905 97-04 License Louver - Acrylic Black\$99⁹⁹
41906 97-04 License Louver - Acrylic Chrome\$99⁹⁹



1997-2004 PHANTOM TAILLIGHT LOUVERS

Unique raised louvers don't just sit on your lights like conventional flat louvers, they extend out from the taillight for a unique custom look that gets noticed. Available in stock colors or matte black that you can paint to match. Installation hardware included.

25701 97-00 Arctic White	25699 97-04 Red
42593 97-02 Pewter	25700 97-04 Silver
25697 97-04 Gloss Black	42595 00-04 Millennium Yellow
25698 97-04 Matte Black	42589 01-04 Speedway White

97-04 Phantom Taillight Louvers\$95⁹⁹





1997-2004 ACRYLIC FRONT LICENSE PLATES

Here's an easy way to dress up that empty front plate holder with style.

- 42528** 97-01 Black w/ C5 Logo..... **\$32⁹⁹**
- 42531** 97-04 Black w/ Mirrored C5 Logo & Script **\$59⁹⁹**
- 42529** 97-04 Contour - Black w/ Mirrored C5 Script..... **\$59⁹⁹**
- 42530** 97-04 Contour - Black w/ Mirrored C5 Logo..... **\$59⁹⁹**
- 43776** 97-04 Contour - Mirrored w/ Black C5 Script..... **\$59⁹⁹**
- 43777** 97-04 Mirrored w/ Black C5 Logo **\$32⁹⁹**



1997-2004 LICENSE PLATE FRAMES

Place the final touch on your Corvette with a License Plate Frame that features your Vette's logo. Available in Chrome-plated C5 or C5 Z06. These frames mount with TOP HOLES ONLY.

- 49819** 97-04 License Frame - Chrome w/ C5 Logo & Script..... **\$34⁹⁹**
- 49821** 97-04 License Frame - Chrome w/ C5 Z06 Logo **\$34⁹⁹**



1997-2004 LICENSE PLATE FRAME

- 20238** 97-04 Rear License Plate Frame **\$50⁹⁹**



1997-2004 SPLASH GUARDS

Made of black ABS, these guards look great when painted to match. Use stock inner bolts and supplied hardware for a simple installation. Sold in pairs.

- 21386** 97-04 Splash Guards - Front..... **\$50⁹⁹**
- 21387** 97-04 Splash Guards - Rear..... **\$50⁹⁹**



1997-2004 FOG LIGHT COOL AIR SCREENS

Open up your fog lamp ports and let your C5 breathe a little deeper. Courtesy of the Z06, these screens replace the fog lamp lens to move more cool air through to your engine compartment and brakes. Install with heavy-duty double-sided tape.



- 49415** 97-04 Fog Light Cool Air Screens - pr **\$129⁹⁹**



1997-2004 BRAKE DUCT SCREENS

Pressure fit installation. Made of stainless steel. These screens match the 1997-2004 Fog Light Screens (below).

- 43791** 97-04 Brake Duct Screens - pr..... **\$40⁹⁹**



1997-2004 FOG LIGHT SCREENS

Stainless steel screens within a rigid, plastic outer molding. Adds up to 5 horsepower at speeds over 50 MPH! Can be bolted in like factory Z06 screens or attached with double-sided tape.

- 43789** 97-04 Fog Light Screens - pr **\$121⁹⁹**

1997-2004 SIDE FENDER STYLING SCREENS

Stainless steel mesh screens install easily into your C5 side fender. No modifications necessary. Just install with double-sided tape (included).



- 46467** 97-04 Side Fender Styling Screens - pr **\$66⁹⁹**

1997-2004 CHROME BILLET FENDER SIDE SPEARS

With a sleek, updated new look, these patented triple chrome plated billet aluminum Side Spears add an elegant and familiar Corvette styling cue to your C5. Each set includes four spears, mounting template with instructions and side fender screens. Fits Corvettes with or without body side moldings.



- 46344** 97-04 Fender Side Spear Set - Chrome Billet..... **\$346⁹⁹**



WARNING: Cancer and Reproductive Harm - www.P65Warnings.ca.gov





1997-2004 Front Grilles and Trim

55210	97-04	Fog Lights Grille, Billet Aluminum - 2pc.....	\$143⁹⁹
55217	97-04	Fog Lights Grille, Perforated - 2pc.....	\$161⁹⁹
55223	97-04	Fog Light Grille, Laser Mesh - 2pc.....	\$197⁹⁹
55224	97-04	Front Marker Grille, Laser Mesh - 2pc.....	\$152⁹⁹
55228	97-04	Splash Guards, Front, Polished - 2pc.....	\$78⁹⁹
55235	97-04	Emblem Inserts, Polished - 8pc.....	\$40⁹⁹
55236	97-04	Emblem Trim, Polished - 2pc.....	\$40⁹⁹
55317	97-04	Nose Cap, Perforated.....	\$167⁹⁹
55318	97-04	Nose Cap, Perforated, Illuminated Blue.....	\$224⁹⁹
55319	97-04	Nose Cap, Perforated, Illuminated Green.....	\$224⁹⁹
55320	97-04	Nose Cap, Perforated, Illuminated Red.....	\$224⁹⁹
55321	97-04	Nose Cap, Perforated, Illuminated White.....	\$224⁹⁹
55322	97-04	Nose Cap, Perforated, Illuminated Yellow.....	\$224⁹⁹



1997-2004 Side Grilles and Marker Light Trim

55214	97-04	Vent Grilles, Side Vent, Perforated - 2pc.....	\$89⁹⁹
55215	97-04	Vent Grilles, Rear Bumper, Perforated - 2pc.....	\$89⁹⁹
55216	97-04	Vent Grilles, Front Brake, Perforated - 2pc.....	\$89⁹⁹
55220	97-04	Vent Grilles, Side Vents, Laser Mesh.....	\$107⁹⁹
55221	97-04	Vent Grilles, Rear Bumper, Laser Mesh - 2pc.....	\$152⁹⁹
55222	97-04	Vent Grilles, Front Brake, Laser Mesh - 2pc.....	\$107⁹⁹
55229	97-04	Side Marker Trim, Rear Side, Chrome Molding - 2pc.....	\$16⁹⁹
55230	97-04	Side Marker Trim, Rear Side, Laser Mesh - 2pc.....	\$143⁹⁹
55231	97-04	Side Marker Trim, Rear Side, Polished Crossed Flags - 2pc.....	\$112⁹⁹
55232	97-04	Side Marker Trim, Rear Side, Satin Crossed Flags - 2pc.....	\$112⁹⁹
55233	97-04	Side Marker Trim, Rear Side, Polished Chevy Bowtie - 2pc.....	\$112⁹⁹
55234	97-04	Side Marker Trim, Rear Side, Satin Chevy Bowtie - 2pc.....	\$112⁹⁹
55262	97-04	Side Marker Trim, Side, Rear, Polished, "CORVETTE" - 2pc.....	\$112⁹⁹
55263	97-04	Side Marker Trim, Side, Rear, Satin, "CORVETTE" - 2pc.....	\$112⁹⁹



**Stainless Steel
Accessories**

1997-2004 Rear Grilles and Trim

55227	97-04	5th Brake Light Trim, Laser Mesh.....	\$44⁹⁹
55237	97-04	5th Brake Light Grille, Polished, Flame Style.....	\$35⁹⁹
55239	97-04	5th Brake Light Grille, Polished Billet Style.....	\$35⁹⁹
55240	97-04	5th Brake Light Grille, Polished Ring Style.....	\$35⁹⁹
55244	97-04	5th Brake Light Trim, Crossed Flag Style.....	\$59⁹⁹
55226	97-04	Taillight Grilles, Laser Mesh - 4pc.....	\$278⁹⁹
55238	97-04	Taillight Grilles, Polished, Flame - 4pc.....	\$152⁹⁹
55241	97-04	Taillight Grilles, Polished Skull - 4pc.....	\$152⁹⁹
55242	97-04	Taillight Grilles, Polished Billet - 4pc.....	\$152⁹⁹
55243	97-04	Taillight Grilles, Polished, Slotted - 4pc.....	\$152⁹⁹
55264	97-04	Taillight Trim Rings, Polished - 4pc.....	\$107⁹⁹
55265	97-04	Taillight Trim Rings, Executive Style, Polished, 50th Anniv - 4pc.....	\$184⁹⁹
55266	97-04	Taillight Trim Rings, Executive Style, Polished, C5 Emblem - 4pc.....	\$184⁹⁹
55267	97-04	Taillight Trim Rings, Executive Style 50th Anniv. w/Laser Mesh - 4pc.....	\$386⁹⁹
55268	97-04	Taillight Trim Rings, Executive Style C5 Emblem w/Laser Mesh - 4pc.....	\$386⁹⁹
55269	97-04	Taillight, Emblem, C5 Crossed Flag - 2pc.....	\$28⁹⁹
55270	97-04	Taillight, Emblem, C5 50th Anniv. Crossed Flag - 2pc.....	\$28⁹⁹
55246	97-04	Rear Bumper Letters, Polished, "CORVETTE".....	\$62⁹⁹
55218	97-04	Tag Plate, Front, Perforated.....	\$104⁹⁹
55219	97-04	Tag Plate, Rear, Perforated.....	\$233⁹⁹
55225	97-04	Tag Plate, Rear, Laser Mesh.....	\$233⁹⁹



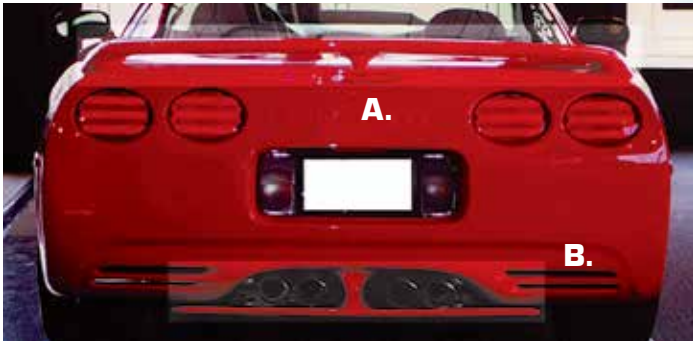
1997-2004 Polished Rear Tag Frames

Featuring vinyl "CORVETTE" inlay in your choice of color.

55248	97-04	Carbon Fiber Black.....	\$47⁹⁹
55249	97-04	Carbon Fiber Blue.....	\$47⁹⁹
55253	97-04	Carbon Fiber Green.....	\$47⁹⁹
55254	97-04	Carbon Fiber Orange.....	\$47⁹⁹
55255	97-04	Carbon Fiber Purple.....	\$47⁹⁹
55256	97-04	Carbon Fiber Red.....	\$47⁹⁹
55260	97-04	Carbon Fiber White.....	\$47⁹⁹
55261	97-04	Carbon Fiber Yellow.....	\$47⁹⁹
55257	97-04	Solid Black.....	\$47⁹⁹
55247	97-04	Solid Satin Black.....	\$47⁹⁹
55251	97-04	Solid Dark Blue.....	\$47⁹⁹
55250	97-04	Solid Bright Red.....	\$47⁹⁹
55252	97-04	Solid Garnet Red.....	\$47⁹⁹
55258	97-04	Solid Synergy Green.....	\$47⁹⁹
55259	97-04	Solid Yellow.....	\$47⁹⁹



FIBERGLASS



A. 1997-2004 Low Profile Rear Wing

A sensational new look for C5's from ACI. The Low Profile Rear Wing follows the outline of your rear bumper, gently wrapping over the sides of your C5. Made of gel-coated fiberglass... simply prep, paint and install on your coupe, convertible or hardtop! Add the C5 Underwing below for an exceptional custom look!

- 40668** 97-04 Low Profile Rear Wing - Coupe\$341⁹⁹
- 40669** 97-04 Low Profile Rear Wing - Convertible & Hardtop.....\$341⁹⁹

B. 1997-2004 Underwing

Here's a cool and clever way to complete the rear look of your C5! ACI's new C5 Underwing fills the unsightly gap between the exhaust tips while adding the design feature of a wing. Give your C5 some style with attitude! Made of gel-coated fiberglass, simply prep, paint and install.

- 40686** 97-04 C5 Underwing\$431⁹⁹

1997-2004 Air Foil Rear Wing

An ACI exclusive, the Air Foil is loaded with C5 character and handsome good looks, meticulously following your C5's body lines and design characteristics - truly acting as an extension of the car itself. Made of gel-coated fiberglass, simply prep, paint and install on your coupe or convertible for the hottest look since the intro of the C5 itself!



- 26997** 97-04 Air Foil Rear Wing.....\$386⁹⁹



1997-2004 Custom Front Spoiler

Give your C5 front end the aggressive look it deserves with this new C5 Front Spoiler. Simple bolt-on installation using the included mounting hardware. And it's functional too! The C5 Front Spoiler directs more fresh air under your hood to your air cleaner. Made of gel-coated fiberglass. Simply prep, paint and install! Shipped by truck.

- 40665** 97-04 Custom C5 Front Spoiler..... \$409⁹⁹

= Shipped by truck freight.



WARNING: Cancer and Reproductive Harm - www.P65Warnings.ca.gov

(833) 4TopFlight | TopFlightAutomotive.com



#43590



#43591



#27135

1997-2004 Ground Effects & Rear Rockers

American Custom Industries' C5 Ground Effects create the illusion of a lowered look without sacrificing ground clearance. Easily attaches to your existing rocker panels. Ready to sand, prime and paint. **Note:** If installing a set of C5 Custom Rear Rockers - order #43591.

- 43590** 97-04 C5 Ground Effects - pr.....\$631⁹⁹
- 43591** 97-04 C5 Ground Effects for Custom Rockers - pr.....\$634⁹⁹
- 27135** 97-04 C5 Custom Rear Rockers - pr.....\$597⁹⁹

FRAME

1997-2004 Underguards

Manufactured from 1/2" aluminum, Underguards mount under the C5 rocker panel area to protect the body from speed bump damage or damage from large objects in the road. They bolt to the frame rails in minutes with the supplied hardware and instructions. They also serve as permanent jacking pucks to eliminate the need for separate pucks.



- 47435** 97-04 Underguards - pr.....\$244⁹⁹



#50766 2000-2004
Fuel Vapor Cannister



#42641 1997-2004
Throttle By-Pass Kit



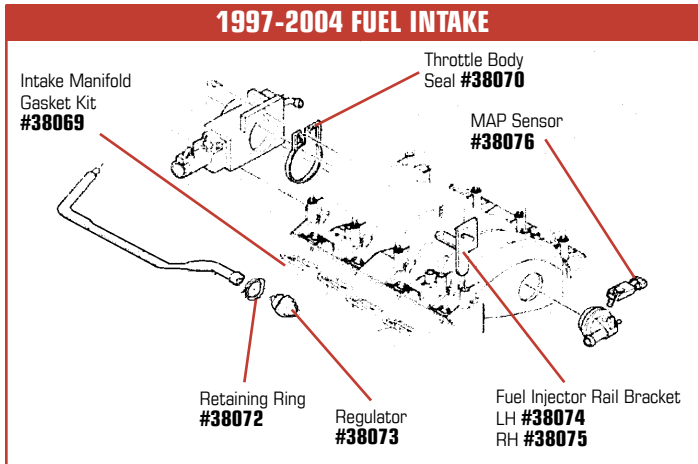
#38309 1997-1999
Filler Hose Clamp



#38303 1997-2004 Gas Cap

1997-2004 FUEL INTAKE

52130	97-98	Fuel Filter - Delco GF820	\$21 ⁹⁹
50067	99-03	Fuel Filter - Delco	\$79 ⁹⁹
51160	99-04	Fuel Filter - GF-822 - Replacement	\$50 ⁹⁹
38073	97-98	Fuel Pressure Regulator	\$68 ⁹⁹
38072	97-04	Fuel Pressure Regulator Retaining Ring	\$10 ⁹⁹
50801	97-98	Fuel Injector	\$147 ⁹⁹
50802	99-00	Fuel Injector	\$111 ⁹⁹
50803	01-04	Fuel Injector	\$157 ⁹⁹
38074	97-04	Fuel Injector Rail Bracket - LH	\$10 ⁹⁹
38075	97-04	Fuel Injector Rail Bracket - RH	\$18 ⁹⁹
38069	97-04	Intake Manifold Gasket Kit - 8 pc	\$30 ⁹⁹
38076	97-04	Manifold Absolute Pressure (MAP) Sensor	\$63 ⁹⁹
38077	97-04	MAP Sensor Connector	\$48 ⁹⁹
38070	97-04	Throttle Body Seal	\$17 ⁹⁹
42641	97-04	Throttle By-Pass Kit	\$18 ⁹⁹
33786	97-02	Fuel Vent / Vapor Can Air Inlet Filter	\$3 ⁹⁹
50768	00-04	Fuel Vapor Cannister Pressure Sensor	\$44 ⁹⁹
50766	00-04	Fuel Vapor Cannister	\$162 ⁹⁹
50765	99-03	Fuel Pressure Regulator	\$126 ⁹⁹
50761	97-04	Throttle Position Sensor	\$123 ⁹⁹
50948	00-03	Fuel Pump & Sending Unit Assembly	\$636 ⁹⁹
50949	03-04	Fuel Pump & Sending Unit Assembly	\$591 ⁹⁹



1997-2004 GAS FILLER

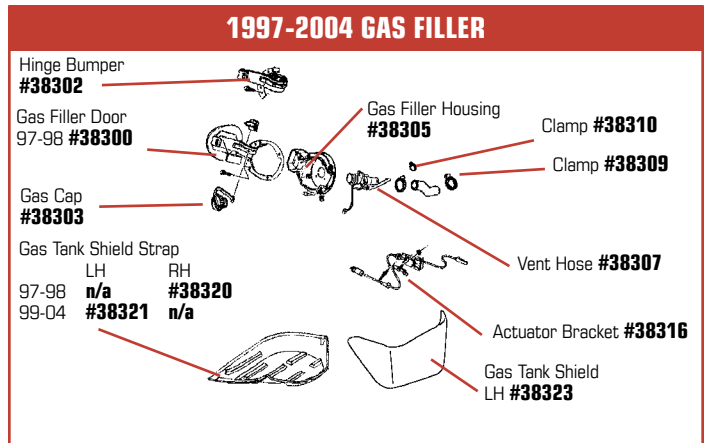
38303	97-04	Gas Cap	\$28 ⁹⁹
50910	97-04	Gas Cap Replacement	\$12 ⁹⁹
50911	97-04	Gas Cap Locking	\$10 ⁹⁹
38318	99	Gas Tank Crossover Hose	\$270 ⁹⁹
38300	97-04	Gas Tank Filler Door	\$305 ⁹⁹
38306	97-04	Gas Tank Filler Door Bumper	\$7 ⁹⁹
38302	97-02	Gas Tank Filler Door Hinge Bumper	\$8 ⁹⁹
38316	97-04	Gas Tank Filler Door Lock Actuator Bracket	\$7 ⁹⁹
38309	97-99	Gas Tank Filler Hose Clamp	\$3 ⁹⁹
38323	99-04	Gas Tank Shield - LH	\$44 ⁹⁹
38320	97-98	Gas Tank Shield Strap - RH	\$89 ⁹⁹
38321	99-04	Gas Tank Shield Strap - LH	\$89 ⁹⁹
38307	97-98	Gas Tank Vent Hose	\$22 ⁹⁹
38312	99	Gas Tank Vent Hose	\$18 ⁹⁹
38310	97-99	Gas Tank Vent Hose Clamp	\$8 ⁹⁹
38314	97-99	Gas Tank Vent Pipe	\$31 ⁹⁹

1997-2004 GAS GUARD

What a deal! Protect your car from scratches with this easy-to-install gas guard. Simply install the fuel-resistant black guard over the filler neck and fold over the cap when closed.

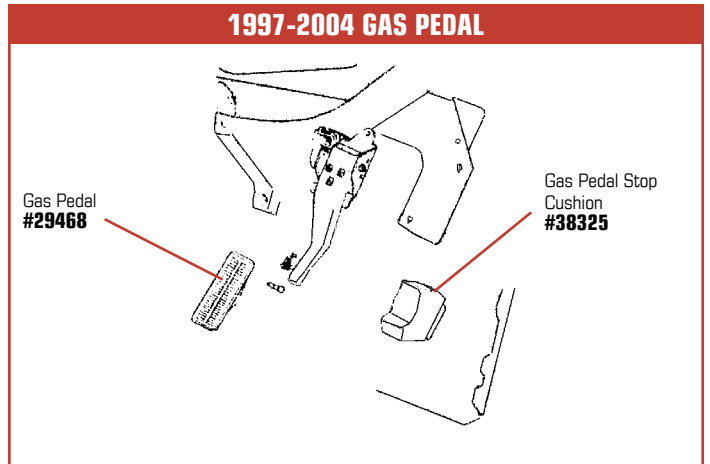


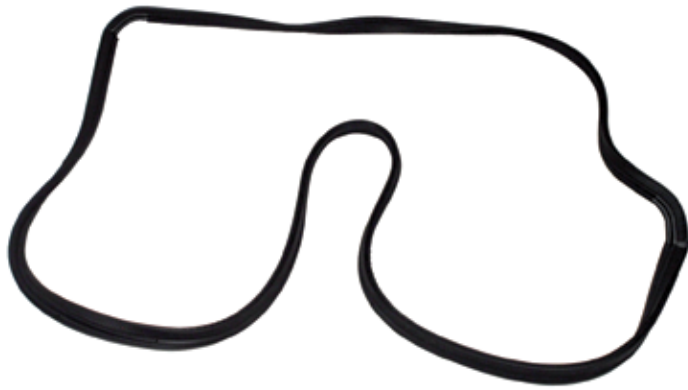
41879	97-04	Gas Guard	\$8 ⁹⁹
--------------	-------	-----------	-------------------



1997-2004 GAS PEDAL

29468	97-99	Gas Pedal	\$10 ⁹⁹
38325	97-04	Gas Pedal Stop Cushion	\$38 ⁹⁹





#38339 1997-2004
Hatch Glass Weatherstrip



#38353 1997-2004
Roof Panel Storage
Latch Handle. LH

#38342 1997-2004
Hatch Glass Strut - LH



#38336 1997-2004
Hatch Bumper



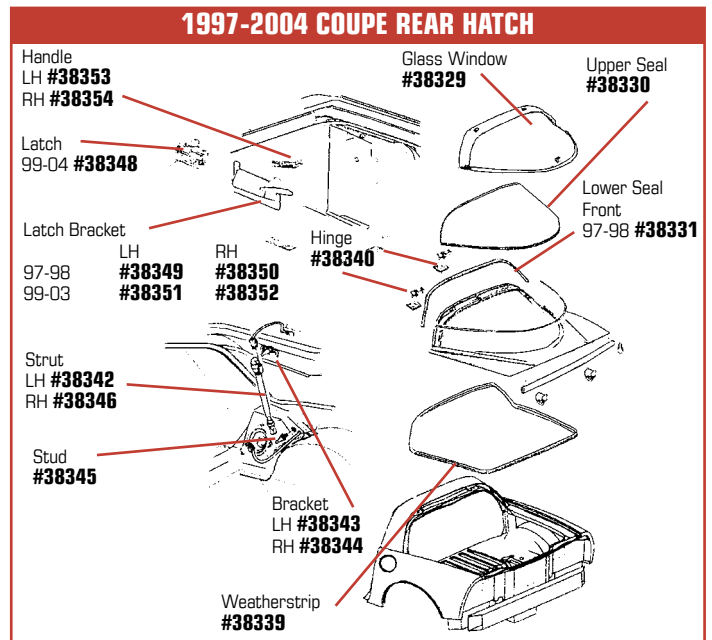
#38340 1997-2004
Hatch Glass Hinge



#38352 1999-2004
Latch Bracket - RH

1997-2004 COUPE REAR HATCH

38336	97-04	Hatch Bumper - 2 req'd	\$1 ⁹⁹
38340	97-04	Hatch Glass Hinge	\$13 ⁹⁹
38348	99-04	Hatch Glass Latch - 2 req'd	\$324 ⁹⁹
38349	97-98	Hatch Glass Latch Bracket - LH	\$53 ⁹⁹
38350	97-98	Hatch Glass Latch Bracket - RH	\$53 ⁹⁹
38351	99-04	Hatch Glass Latch Bracket - LH	\$69 ⁹⁹
38352	99-04	Hatch Glass Latch Bracket - RH	\$69 ⁹⁹
38330	97-04	Hatch Glass Seal - Upper	\$32 ⁹⁹
38342	97-04	Hatch Glass Strut - LH	\$71 ⁹⁹
38346	97-04	Hatch Glass Strut - RH	\$71 ⁹⁹
51502	97-04	Hatch Glass Strut - Replacement, fits LH & RH	\$50 ⁹⁹
38343	97-04	Hatch Glass Strut Bracket - LH	\$23 ⁹⁹
38344	97-04	Hatch Glass Strut Bracket - RH	\$16 ⁹⁹
38345	97-04	Hatch Glass Strut Stud	\$6 ⁹⁹
38339	97-04	Hatch Weatherstrip	\$223 ⁹⁹
38329	97-04	Hatch Glass Window	\$1407 ⁹⁹
38353	97-04	Roof Panel Storage Latch Handle - LH	\$67 ⁹⁹
38354	97-04	Roof Panel Storage Latch Handle - RH	\$78 ⁹⁹



WARNING: Cancer and Reproductive Harm - www.P65Warnings.ca.gov





#34351 1997-2003
Heater/Air Conditioner
Blower Motor & Wheel



#38359 1997-2004
Blower Case Bracket - RH



#38377 1997-2004
Evaporator Core



#50369 1997-2004
Air Conditioning
& Heater Check Valve



#38388 1997-2002
Temperature Valve Actuator
w/o Dual Zone AC



1997-2004 AC EVAPORATOR AND BLOWER

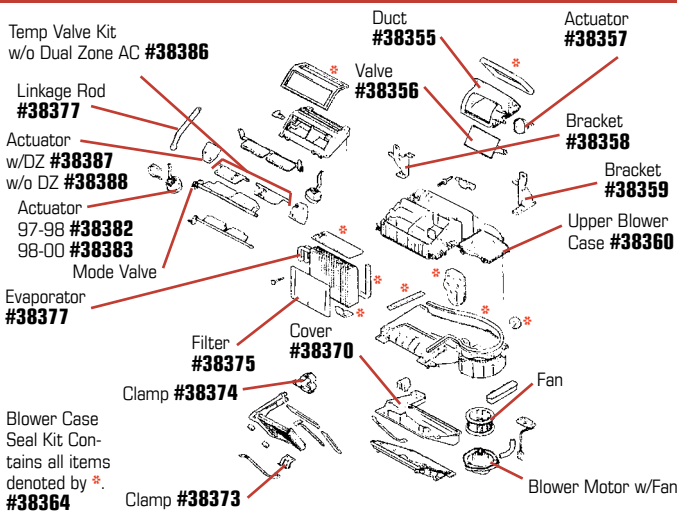
50094	00-04	AC Compressor & Condenser Seal Kit	\$10 ⁹⁹
50369	97-04	AC & Heater Check Valve	\$2 ⁹⁹
38355	97-04	Air Inlet Duct	\$26 ⁹⁹
38356	97-04	Air Inlet Valve	\$21 ⁹⁹
38357	97-04	Air Inlet Valve Actuator	\$24 ⁹⁹
38358	97-04	Blower Case Bracket - LH	\$7 ⁹⁹
38359	97-04	Blower Case Bracket - RH	\$6 ⁹⁹
38364	97-04	Blower Case Seal Kit	\$167 ⁹⁹
38360	97-04	Blower Case - Upper	\$21 ⁹⁹
38365	97-00	Blower Motor w/ Fan - w/ Dual Zone AC	\$204 ⁹⁹
38368	97-00	Blower Motor w/ Fan - w/o Dual Zone AC	\$231 ⁹⁹
38366	00-04	Blower Motor w/ Fan - w/ Dual Zone AC	\$144 ⁹⁹
38369	00-02	Blower Motor w/ Fan - w/o Dual Zone AC	\$152 ⁹⁹
50756	97-04	Blower Motor Resistor - Auto Trans	\$213 ⁹⁹

50757	97-02	Blower Motor Resistor - Manual Trans	\$101 ⁹⁹
38384	97-04	Defroster Valve Linkage Rod	\$7 ⁹⁹
38377	97-04	Evaporator Core	\$162 ⁹⁹
38375	97-04	Evaporator Air Filter	\$13 ⁹⁹
38373	97-04	Heater Core Clamp	\$17 ⁹⁹
38374	97-04	Heater Core Tube Clamp	\$12 ⁹⁹
38370	97-04	Heater Cover	\$21 ⁹⁹
38371	99-04	Heater Outlet Case	\$40 ⁹⁹
34351	97-03	Heater / AC Blower Motor & Wheel	\$71 ⁹⁹
38379	97-98	Mode Valve	\$15 ⁹⁹
38381	99-00	Mode Valve	\$37 ⁹⁹
38383	98-04	Mode Valve Actuator - 98L	\$38 ⁹⁹
38387	97-04	Temp Valve Actuator - w/ Dual Zone AC	\$162 ⁹⁹
38388	97-02	Temp Valve Actuator - w/o Dual Zone AC	\$45 ⁹⁹
38386	97-02	Temperature Valve Kit - w/o Dual Zone AC	\$15 ⁹⁹

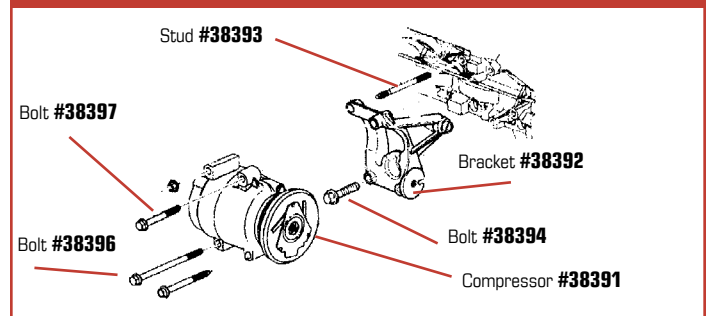
1997-2004 AC COMPRESSOR

38393	97-04	AC Compressor Mount Stud	\$10 ⁹⁹
38791	97-04	AC Compressor Mount Stud Nut	\$3 ⁹⁹
51404	97-04	AC Valve	\$9 ⁹⁹
38405	97-00	Accumulator	\$39 ⁹⁹
38407	97-04	Accumulator Insulator	\$14 ⁹⁹
38411	97	Air Inlet Screen	\$348 ⁹⁹

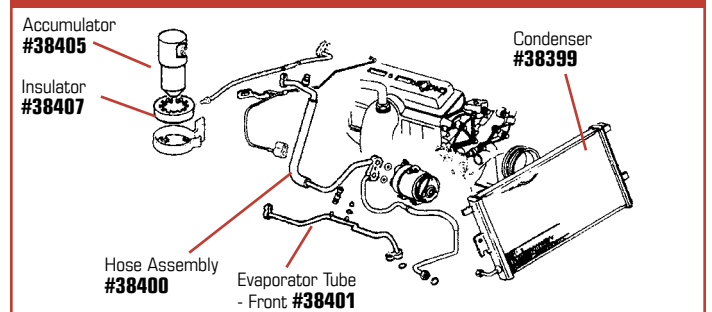
1997-2004 AC EVAPORATOR & BLOWER



1997-2004 AC COMPRESSOR



1997-2004 AC HOSES & PIPES



Hood



#38368 1997-2000 Blower Motor w/ Fan, w/o Dual Zone AC

#38391 1997-2001 AC Compressor



#38400 1997-2004 AC Hose Assembly




#38465 1997-2001 Rear Wheelhouse Panel RH


#38436 1997-2004 Hood Latch Striker

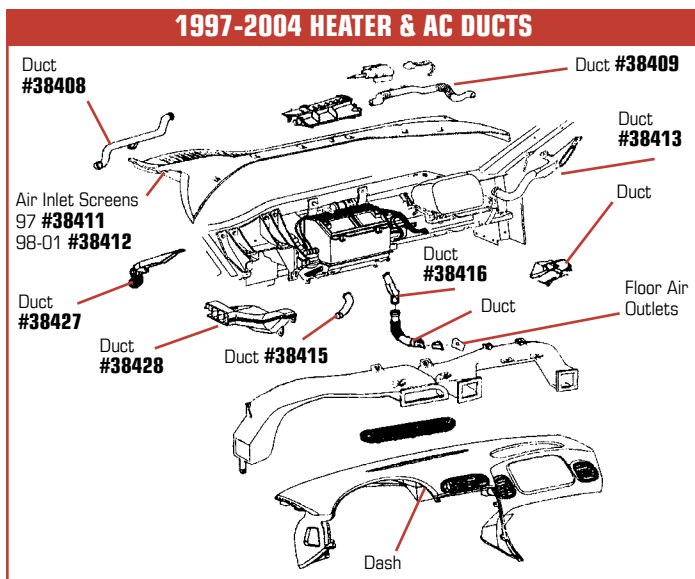
#38437 1997-2004 Hood Latch Release Cable

38412	98-04	Air Inlet Screen	\$379⁹⁹
38399	97-04	Condenser	\$274⁹⁹
38401	97-02	Evaporator Tube - Front	\$66⁹⁹
34375	97-00	Evaporator Tube Orifice	\$4⁹⁹
38428	97-04	Floor Air Outlet Duct - LH	\$10⁹⁹
38415	97-04	Floor Air Outlet Duct - Rear - LH	\$16⁹⁹
38416	97-04	Floor Air Outlet Duct - Rear - RH	\$15⁹⁹
38420	97-99	Floor Air Outlet - Inner - Red	\$7⁹⁹
38419	97-04	Floor Air Outlet - Inner - Pewter	\$14⁹⁹
38421	98-04	Floor Air Outlet - Inner - Camel	\$18⁹⁹
38408	97-04	Side Window Defroster Duct - LH - Inboard	\$36⁹⁹
38409	97-04	Side Window Defroster Duct - RH - Inboard	\$22⁹⁹
38427	97-04	Side Window Defroster Duct - LH - Outboard	\$37⁹⁹
38413	97-04	Side Window Defroster Duct - RH - Outboard	\$37⁹⁹
50155	00-04	Sound Absorber Retainer	\$0⁹⁹
38391	97-01	AC Compressor	\$336⁹⁹
38396	97-02	AC Compressor Mount Bolt	\$16⁹⁹
50725	97-03	AC Compressor Control Relay	\$14⁹⁹
38394	97-04	AC Compressor Bracket Bolt	\$3⁹⁹
38400	97-04	AC Hose Assembly	\$152⁹⁹

1997-2004 Hood

38460	97-04	Fender - LH	\$609⁹⁹
38461	97-04	Fender - RH	\$446⁹⁹
38467	97-04	Fender Filler Panel - Inner Lower - Rear - RH	\$99⁹⁹
38458	97-04	Fender Reinforcement - Front - LH	\$62⁹⁹
38459	97-04	Fender Reinforcement - Front - RH	\$62⁹⁹
38469	97-04	Hood	\$1393⁹⁹
30548	97-00	Hood Adjustment Bumper	\$4⁹⁹
38441	97-00	Hood Adjustment Bumper Stud	\$9⁹⁹
38432	97-02	Hood Bumper - On Hood - 2 req'd	\$4⁹⁹
38449	97-04	Hood Hinge - LH	\$128⁹⁹
38450	97-04	Hood Hinge - RH	\$128⁹⁹
38451	97-04	Hood Hinge Strut - 2 req'd	\$48⁹⁹
38434	99-00	Hood Insulator - 99 Hardtop w/o TR9 - 	\$200⁹⁹
38435	97-04	Hood Insulator Retainer - 15 req'd	\$2⁹⁹
54809	97-04	Hood Liner Fasteners - Chrome - 15 pc	\$37⁹⁹
54870	97-04	Hood Liner Fasteners - Nickel Plated - 15 pc	\$71⁹⁹
54838	97-04	Hood Liner Fasteners - Stainless, Polished - 15 pc	\$233⁹⁹
38437	97-04	Hood Latch Release Cable	\$143⁹⁹
38436	97-04	Hood Latch Striker - 2 req'd	\$38⁹⁹
37628	97-04	Hood Release Cable W/Clips	\$36⁹⁹
37629	97-04	Hood Release Cable Clip	\$2⁹⁹
38457	97-04	Hood Seal - Side to Fender - GM - 2 req'd	\$128⁹⁹
38468	97-04	Hood Seal - Rear - GM	\$61⁹⁹
51682	97-04	Hood Seal - Rear - Reproduction	\$23⁹⁹
37980	97-04	Hood Seal - Rear Barrier - GM	\$57⁹⁹
51681	97-04	Hood Seal - Rear Barrier - Reproduction	\$9⁹⁹
38442	97-04	Hood Stop - LH	\$39⁹⁹
38444	97-04	Hood Stop Bracket - LH	\$13⁹⁹
38445	97-04	Hood Stop Bracket - RH	\$9⁹⁹
38446	97-04	Hood Stop Bracket Spacer - 0.5 mm	\$28⁹⁹
38447	97-04	Hood Stop Bracket Spacer - 1.0 mm	\$29⁹⁹
38448	97-04	Hood Stop Bracket Spacer - 2.0 mm	\$20⁹⁹
38430	97-04	Underhood Lamp	\$67⁹⁹
38431	97-04	Underhood Lamp Lens	\$10⁹⁹
20147	97-04	Underhood Lamp Mercury Switch	\$11⁹⁹

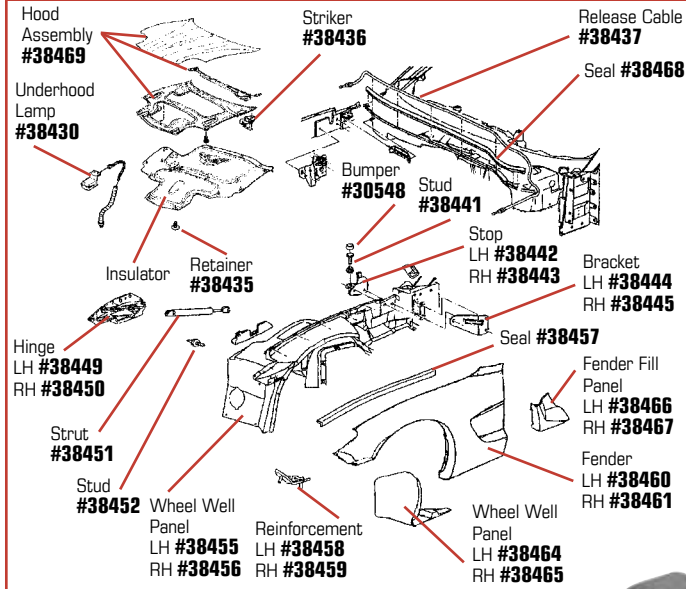
 = Shipped by truck freight.



HOOD CONTINUED

38462	97-04	Wheel Well Panel - Front - Lower - LH.....	\$79⁹⁹
38463	97-04	Wheel Well Panel - Front - Lower - RH.....	\$69⁹⁹
38455	97-04	Wheel Well Panel - Front - Upper - LH.....	\$856⁹⁹
38456	97-01	Wheel Well Panel - Front - Upper - RH.....	\$881⁹⁹
38464	97-02	Wheel Well Panel - Rear - LH.....	\$176⁹⁹
38465	97-01	Wheel Well Panel - Rear - RH.....	\$201⁹⁹

1997-2004 HOOD



AcoustiSHIELD

ACOUSTISHIELD HOOD INSULATION

Dress up your engine compartment with these pre-cut and ready-to-install insulation kits, available with or without the Officially GM Licensed logo.



51944	97-04	Acoustishield Hood Insulation w/ Logo.....	\$265⁹⁹
51943	97-04	Acoustishield Hood Insulation w/o Logo.....	\$180⁹⁹

1997-2004 COCKPIT AIR FILTER

With self-adhesive back that applies to air inlet.



21597	97-04	Cockpit Air Filter.....	\$11⁹⁹
--------------	-------	-------------------------	--------------------------

1997-2004 PERFORMANCE HOOD SEAL

A must for use with performance air intakes! Install the LS1 Performance Hood Seal and maximize air flow to your intake! It mounts in minutes with a self-adhesive backing.



41784	97-04	Performance Hood Seal.....	\$16⁹⁹
--------------	-------	----------------------------	--------------------------

LIGHTS & LENSES



#38478 1997-2002
Headlight Assembly w/ Actuator



#38481 1997-2002
Low Beam Headlight Bulb



#38500 1997-2004
Headlight Bezel - LH

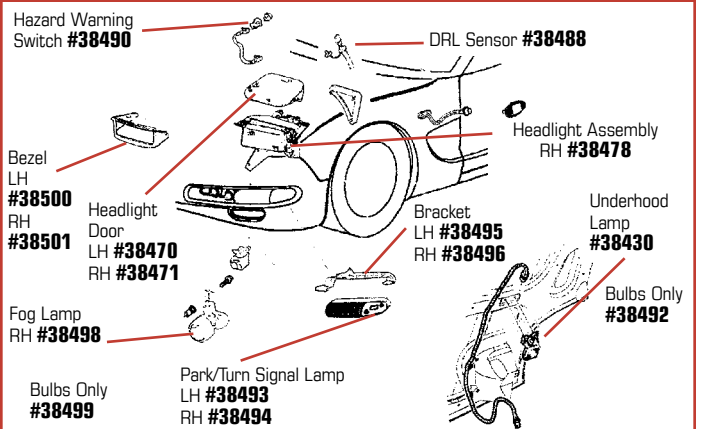


#38480 1997-2004
Headlight Lens - RH

1997-2004 LIGHTS & LENSES

38488	99-04	Daytime Running Light Ambient Light Sensor.....	\$30⁹⁹
38499	97-99	Fog Lamp Bulb.....	\$14⁹⁹
38498	97-04	Fog Lamp - Front - RH.....	\$206⁹⁹
45033	97-04	Fog Light Kit - Screens & Brackets.....	\$80⁹⁹
38490	97-04	Hazard Warning Switch.....	\$38⁹⁹
38485	97-99	Headlight Actuator - LH.....	\$259⁹⁹
38486	97-99	Headlight Actuator - RH.....	\$303⁹⁹
38472	97	Headlight Adjustor Hole Plug - 1st Des- 1.3".....	\$22⁹⁹
38473	97-04	Headlight Adjustor Hole Plug - 97 2nd Des- 2.4".....	\$3⁹⁹
38478	97-02	Headlight Assembly RH.....	\$974⁹⁹
38500	97-04	Headlight Bezel - LH.....	\$24⁹⁹
38501	97-04	Headlight Bezel - RH.....	\$28⁹⁹
38481	97-02	Headlight Bulb - Low Beam.....	\$18⁹⁹
38482	97-04	Headlight Bulb - High Beam.....	\$17⁹⁹
38470	97-04	Headlight Door - LH.....	\$159⁹⁹
38471	97-04	Headlight Door - RH.....	\$155⁹⁹
38483	97-04	Headlight Door Bracket - LH.....	\$177⁹⁹
38484	97-04	Headlight Door Bracket - RH.....	\$179⁹⁹
38480	97-04	Headlight Lens - RH.....	\$320⁹⁹
34394	00-04	Headlight Motor - RH.....	\$397⁹⁹
37790	97-99	Headlight Motor - Rebuilt - LH.....	\$172⁹⁹
37791	97-99	Headlight Motor - Rebuilt - RH.....	\$172⁹⁹
37792	00-04	Headlight Motor - Rebuilt - LH.....	\$172⁹⁹

1997-2004 FRONT LAMPS





#58154 1997-2004
Parking Light Assemblies



#38430 1997-2004
Underhood Lamp



#38509 1997-2004
Backup Lamp/ License Assembly



#38506 1997-2004
Taillight - LH

1997-2004 REAR LAMPS

37793	00-04	Headlight Motor - Rebuilt - RH	\$172 ⁹⁹
25752	97-99	Headlight Motor Core Charge - LH	\$70 ⁰⁰
25753	97-99	Headlight Motor Core Charge - RH	\$70 ⁰⁰
25754	00-04	Headlight Motor Core Charge - LH	\$70 ⁰⁰
25755	00-04	Headlight Motor Core Charge - RH	\$70 ⁰⁰
51926	97-99	Headlight Motor - LH (Import)	\$209 ⁹⁹
51927	97-99	Headlight Motor - RH (Import)	\$209 ⁹⁹
51928	00-04	Headlight Motor - LH (Import)	\$209 ⁹⁹
51929	00-04	Headlight Motor - RH (Import)	\$209 ⁹⁹
49536	97-04	Headlight Motor Gear w/ Insert	\$30 ⁹⁹
51500	97-99	Headlight Motor Gear - Bronze	\$50 ⁹⁹
51506	00-04	Headlight Motor Gear Kit - Bronze - with Insert	\$60 ⁹⁹
37386	00-04	Headlight Motor T-Brace	\$10 ⁹⁹
30553	97-04	Headlight Actuator Control Module - GM	\$789 ⁹⁹
30555	97-04	Headlight Actuator Control Module - Aftermarket	\$177 ⁹⁹
46854	97-04	Headlight Stop Bumper	\$5 ⁹⁹
58153	97-04	Parking Light Assemblies - Clear Lens, Amber Turn Signal in Chrome Housing	\$134 ⁹⁹
58154	97-04	Parking Light Assemblies - Clear Lens, Amber Turn Signal in Black Housing	\$134 ⁹⁹
38495	97-04	Park/Turn Signal Lamp Bracket - LH	\$79 ⁹⁹
38496	97-04	Park/Turn Signal Lamp Bracket - RH	\$78 ⁹⁹
38493	97-04	Park/Turn Signal Lamp - Front - LH	\$62 ⁹⁹
38494	97-04	Park/Turn Signal Lamp - Front - RH	\$60 ⁹⁹
47991	97-04	Park/Turn Signal Lamp Replacement Socket Kit	\$23 ⁹⁹
41443	97-04	LED Bulbs - Front Turn Signal	\$46 ⁹⁹
38430	97-04	Underhood Lamp	\$67 ⁹⁹

1997-2004 LED BULB KIT

For those seeking a quick and painless way to modernize the look of their C5 Corvette, these complete LED conversion kits are the answer.

Kit Includes: (2) Samsung LED 3157 turn signal/DRL bulbs, (2) Cree Amber LED front marker bulbs, (2) Cree Red LED rear marker bulbs, (4) Cree 6-LED 3157 red taillight bulbs, (2) Cree LED tag light bulbs, (2) Cree 16-LED 1156 reverse light bulbs, (1) hyperflash harness (plugs in under dash).



41440	97-04	LED Bulb Kit	\$274 ⁹⁹
--------------	-------	--------------	---------------------

1997-2004 BLACKOUT KIT

Get a custom look that's easy to apply. Dot-matrix vinyl masks black out the taillights and front park/fog lights when lights are not in use. Adhesive backing to help the pieces stick better around raised textures.



Kit includes: 2 front park/fog light covers & 4 taillight covers.

21674	97-04	Static Cling Blackout Kit - Vinyl	\$19 ⁹⁹
--------------	-------	-----------------------------------	--------------------



1997-2004 LED TAILLIGHT KIT AND ACCESSORIES

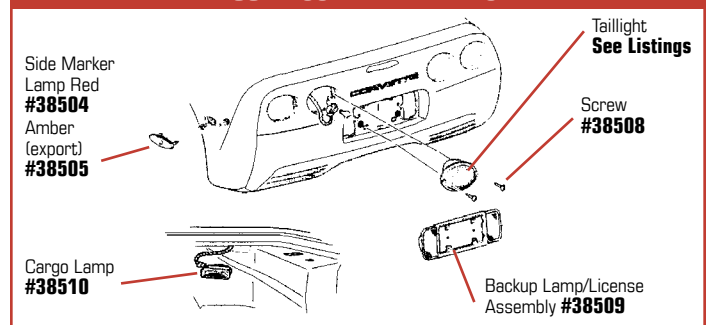
Highlight one of your Corvette's most attractive features with modern LED technology. These LED Taillight Kits replace normal bulbs and lenses with a sophisticated pattern of red LED lights. When braking, they shine with a distinctive pattern that draws attention. They're every bit as reliable and safe as conventional bulbs - in fact, they actually light faster! Installs in under 2 hours. They connect to your existing sockets without having to cut a single wire. Each kit includes 4 taillights. **Note:** If you experience hyperflash with your LED Taillights, you will need Part #41442.

41454	97-04	LED Taillight Kit	\$256 ⁹⁹
41442	97-04	Hyperflash Harness	\$69 ⁹⁹
45062	97-04	Load Resistors	\$11 ⁹⁹

1997-2004 EXPORT LIGHTING

38523	97-04	Park / Turn Signal Lamp - Export - Front - LH	\$177 ⁹⁹
38524	97-04	Park / Turn Signal Lamp - Export - Front - RH	\$177 ⁹⁹
38529	97-04	Taillight - Export - Red Stop & Backup - LH	\$113 ⁹⁹
38530	97-04	Taillight - Export - Red Stop & Backup - RH	\$114 ⁹⁹

1997-2004 REAR LAMPS




WARNING: Cancer and Reproductive Harm -
www.P65Warnings.ca.gov

(833) 4TopFlight | TopFlightAutomotive.com



LOCKS

- | | | | | |
|--------------|-------|--------------------------------------|---------------------------|--|
| 38161 | 97-04 | Console Door Lock -
Uncoded | \$28⁹⁹ |  |
| 38140 | 97-02 | Glove Box Door Lock -
Black | \$94⁹⁹ | |
| 38143 | 98-02 | Glove Box Door Lock -
Camel | \$101⁹⁹ | |
| 49074 | 97-04 | Security Override System | \$35⁹⁹ | |
- #38143** Glove Box Door Lock



#38535 1997-2004
Inside Rearview

#38537 1997-2004 Inside
Rearview Mirror Bracket

#38541 1997-2004
Outside Mirror - LH

MIRRORS

1997-2004 MIRRORS

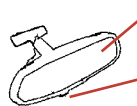
- | | | | |
|--------------|-------|--|---------------------------|
| 38537 | 99-04 | Mirror Bracket - Inside Rearview -
w/ Heads up Display | \$17⁹⁹ |
| 38536 | 97-04 | Mirror Bracket - Inside Rearview -
w/o Heads up Display | \$27⁹⁹ |
| 38535 | 97-04 | Mirror - Inside Rearview | \$201⁹⁹ |
| 38539 | 97-02 | Mirror - Outside Rearview - LH -
Remote Control/Heated w/ Memory Package -
Paint to Match | \$487⁹⁹ |
| 38541 | 97-04 | Mirror - Outside Rearview - LH -
Remote Control/Heated w/o Memory Package -
Paint to Match | \$399⁹⁹ |
| 38540 | 97-04 | Mirror - Outside Rearview - RH -
Remote Control/Heated w/ Memory Package -
Paint to Match | \$475⁹⁹ |
| 38538 | 97-04 | Mirror - Outside Rearview - RH -
Remote Control/Heated w/o Memory Package -
Paint to Match | \$398⁹⁹ |
| 38542 | 97-04 | Mirror Kit - Outside Rearview w/ Case - LH | \$149⁹⁹ |
| 38543 | 97-04 | Mirror Kit - Outside Rearview w/ Case - RH | \$145⁹⁹ |
| 38548 | 97-04 | Motor Kit - Outside Rearview Mirror - Remote
Control/ Heated w/ Memory Package - LH | \$345⁹⁹ |
| 38547 | 97-04 | Motor Kit - Outside Rearview Mirror - Remote
Control/ Heated w/ Memory Package - RH | \$316⁹⁹ |

1997-2004 MIRRORS

Outside Rear-
view Motor Kits
See Listings



Outside Rearview



Inside Rearview
Bracket
#38535

Inside Rearview
Bracket
99-04 w/ Heads-up
Display **#38537**
97-04 w/o Heads-up
Display **#38536**



- | | | | |
|--------------|-------|---|---------------------------|
| 38546 | 97-04 | Motor Kit - Outside Rearview Mirror - Remote
Control/ Heated w/o Memory Package - LH | \$133⁹⁹ |
| 38545 | 97-04 | Motor Kit - Outside Rearview Mirror - Remote
Control/ Heated w/o Memory Package - RH | \$147⁹⁹ |
| 49068 | 97-04 | Mirror Covers - pr | \$49⁹⁹ |
| 55170 | 97-04 | Rearview Mirror Trim, Corvette | \$44⁹⁹ |
| 55171 | 97-04 | Rearview Mirror Trim, Crossed Flags | \$44⁹⁹ |
| 55198 | 97-04 | Rearview Mirror Trim - Auto-Dim, Corvette | \$44⁹⁹ |
| 55199 | 97-04 | Rearview Mirror Trim - Auto-Dim, Crossed Flags | \$44⁹⁹ |

PAINT

1997-2004 EXTERIOR TOUCH-UP PAINT

- | | | | |
|--------------|-------|---|---------------------------|
| 44160 | 97-98 | Fairway Green Metallic | Code 87 |
| 44164 | 97-98 | Lt. Carmine Red Metallic | Code 53 |
| 44159 | 97-00 | Nassau Blue | Code 23 |
| 44158 | 97-00 | Sebring Silver Metallic | Code 13 |
| 44000 | 97-04 | Black | Codes 900/AA/19/41 |
| 44154 | 97-04 | Torch Red | Code 70 |
| 44162 | 98 | Pace Car Purple | Code 21 |
| 44167 | 98 | Medium Purple Pearl Metallic | Code 95 |
| 44163 | 98-01 | Navy Blue | Code 28 |
| 44161 | 98-02 | Light Pewter Metallic | Code 11 |
| 44168 | 99 | Magnetic Red Metallic Bottom Coat | Code 86 |
| 44169 | 99 | Magnetic Red Metallic Top Coat Clear | Code 86 |
| 44173 | 00-01 | Dark Bowling Green | Code 91 |
| 44170 | 00-04 | Magnetic Red Metallic Bottom Coat | Code 86 |
| 44171 | 00-04 | Magnetic Red Metallic Top Coat Clear | Code 86 |
| 44172 | 00-04 | Millennium Yellow | Code 79 |
| 44174 | 01-03 | Quicksilver | Code 12 |
| 44175 | 01-03 | Speedway White | Code 40 |
| 44176 | 02-03 | Electron Blue | Code 21 |
| 44177 | 03-04 | Spiral Gray | Code 88 |
| 44178 | 03 | Anniversary Red Metallic Bottom Coat | Code 94 |
| 44179 | 03 | Anniversary Red Metallic Top Coat Clear | Code 94 |
| 44207 | 97-04 | Arctic White | Code 10 |
| 44208 | 04 | Lemans Dark Blue | Code 19 |
| 44209 | 04 | Machine Silver | Code 67 |
- 97-04 Exterior Touch-Up Paint - each

\$28⁹⁹



PEDALS

38042	97-04	Brake Pedal - Automatic	\$105⁹⁹
38044	97-04	Brake Pedal - Manual	\$147⁹⁹
29949	97-99	Brake Pedal Bushing	\$2⁹⁹
38046	97-04	Brake Pedal Push Rod Pin	\$9⁹⁹
38551	97-04	Clutch Pedal	\$129⁹⁹
38552	97-04	Clutch Pedal Position Switch.....	\$9⁹⁹
51446	97-04	Clutch / Brake Pedal Pivot Bushings - 4 pc set.....	\$6⁹⁹
50936	97-04	Clutch / Brake Pedal Pivot Bushings - pr	\$4⁹⁹
29468	97-99	Gas Pedal	\$10⁹⁹
38325	97-04	Gas Pedal Stop Cushion	\$38⁹⁹

1997-2004 ALUMINUM GAS PEDAL & DEAD PEDAL

Made of 60/61 aircraft aluminum, these Gas and Dead Pedals are designed to bolt on top of your factory pedals. You get extra grip and a matching look to your factory clutch and brake pedals.

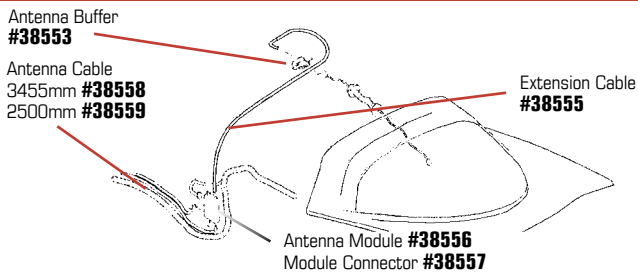


41725	97-04	Dead Pedal - Aluminum	\$21⁹⁹
41523	97-04	Gas Pedal - Aluminum.....	\$27⁹⁹
22606	97-04	Gas & Dead Pedal - Aluminum - pr	\$40⁹⁹

RADIO & ANTENNA

38553	97-98	Radio Antenna Buffer - Coupe	\$53⁹⁹
38559	97-02	Radio Antenna Cable - 2500 mm	\$11⁹⁹
38558	97-04	Radio Antenna Cable - 3455 mm	\$20⁹⁹
38555	97-00	Radio Antenna Extension Cable	\$30⁹⁹
38557	97-04	Radio Antenna Module Connector.....	\$40⁹⁹

1997-2004 COUPE ANTENNA



1997-2004 SECRETAUDIO HIDDEN STEREO SYSTEM

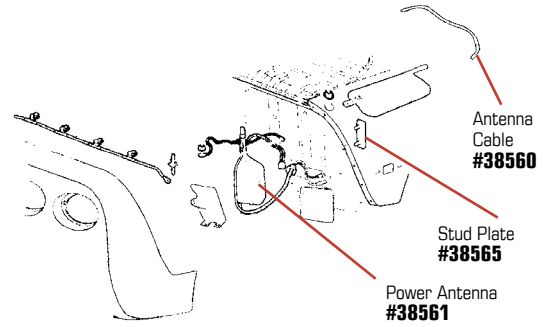
The SST hideaway radio is designed to provide a classic car with exceptional audio quality while leaving the dash and original radio visible in the dash. Features:



- 200 Watt AM/FM Stealth Audio Solution (50W x 4)
- Built in Bluetooth
- USB MP3/WMA Flash Drive Player
- Alpha Numeric LCD Display.
- Direct CD Changer Control (CD player sold separately)
- 4 Channel 3V RCA Pre-Outs
- Subwoofer Pre-Out
- 4-way Fader
- 5 Selection EQ Curves - Pop/Jazz/Classic/Beat/Rock
- Zero Memory Current Draw

43378	97-04	SecretAudio System	\$329⁹⁹
--------------	-------	--------------------------	---------------------------

1998-2004 CONVERTIBLE ANTENNA



#38561 Radio Power Antenna - Convertible



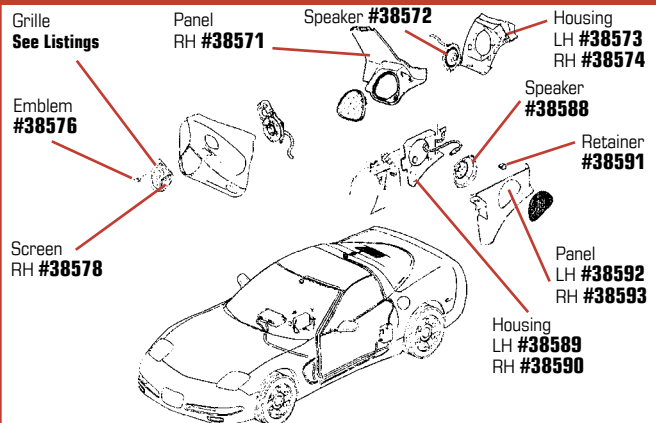
#38565 Radio Power Antenna Bracket Stud Plate - Convertible & Hardtop

38560	98-04	Radio Antenna Cable - Convertible & Hardtop	\$37⁹⁹
38565	98-04	Radio Power Antenna Bracket Stud Plate - Convertible & Hardtop.....	\$15⁹⁹
38561	98-04	Radio Power Antenna - Convertible.....	\$252⁹⁹
37975	98-02	Radio Antenna Ground Stud - Conv & Hardtop	\$4⁹⁹
38567	99-04	Radio Antenna Mast - Hardtop.....	\$43⁹⁹
50873	97-04	Radio Knobs - Tuning & Volume Control.....	\$20⁹⁹
58967	97-04	Radio Knobs - 4 pc. Small Knobs.....	\$16⁹⁹

1997-2004 SPEAKER

38587	97-04	Speaker - Front Door - Bose - w/ UZ6.....	\$388⁹⁹
38594	99-00	Speaker - Front Door - Hardtop w/ UQ5	\$62⁹⁹
38588	98-04	Speaker - Rear - Bose - Conv & Hardtop	\$108⁹⁹
38572	97-04	Speaker - Rear - Bose - Coupe.....	\$89⁹⁹
38576	97-04	Speaker Emblem - Front.....	\$24⁹⁹
38580	97-02	Speaker Grille - Front - RH - Black - HT w/ UZ6.....	\$74⁹⁹
38584	97-99	Speaker Grille - Front - RH - Red - Exc. HT.....	\$47⁹⁹
38591	98-04	Speaker Grille Retainer - 4 req'd	\$2⁹⁹
51458	97-04	Amplifier - Front.....	\$152⁹⁹

1997-2004 SPEAKER



WARNING: Cancer and Reproductive Harm - www.P65Warnings.ca.gov





#38571 1997-2002
Speaker Panel - RH -
Rear Coupe



#38592 1998-2004
Speaker Panel - LH Conv.



#38572
1997-2004 Bose Rear
Speaker-Coupe



#38578
1997-2004 Speaker
Screen Front - RH

1997-2004 SPEAKER

38573	97-04	Speaker Housing - LH - Rear - Coupe	\$47 ⁹⁹
38574	97-04	Speaker Housing - RH - Rear - Coupe	\$61 ⁹⁹
38589	98-04	Speaker Housing - LH - Rear - Conv & Hardtop	\$31 ⁹⁹
38590	98-04	Speaker Housing - RH - Rear - Conv & Hardtop	\$31 ⁹⁹
38592	98-04	Speaker Panel - Rear - LH - Conv	\$30 ⁹⁹
38593	98-04	Speaker Panel - Rear - RH - Conv	\$55 ⁹⁹
38571	97-02	Speaker Panel - Rear - RH - Coupe	\$53 ⁹⁹
38595	99-02	Speaker Panel - Rear - LH - Hardtop	\$83 ⁹⁹
38596	99-02	Speaker Panel - Rear - RH - Hardtop	\$83 ⁹⁹

SHIFTER, CLUTCH & TRANSMISSION



1997-2004 SHIFTER BOOTS

Accentuate your C5's interior with these leather shift boots! A perfect match to the rest of your interior. Includes retainer.

4868_	97-04	Shifter Boot - 6 Speed	\$71 ⁹⁹
38606	98	Shifter Boot - Upper - Pace Car	\$189 ⁹⁹



#53041 1997-2004
Hurst Shifter Knob



#38600 1997-2004
GM - Except Pace Car



#38604 1997-2004
Lower Shift Boot



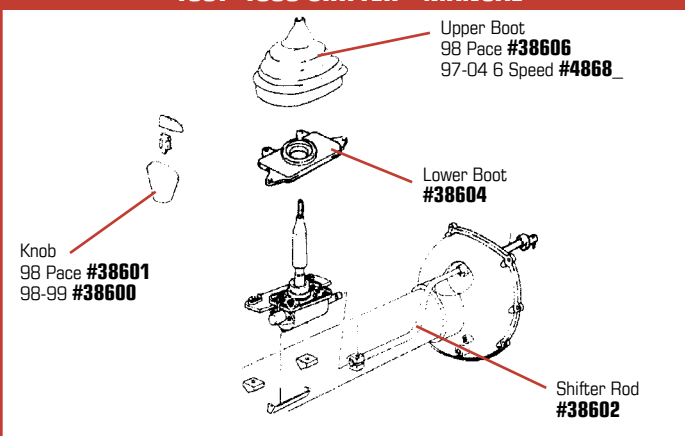
#53025 199-2004
B&M Precision
Manual Sport Shifter



1997-2004 SHIFTER - MANUAL

22842	97-04	CAGS 6-Speed Plug Seal Kit	\$28 ⁹⁹
38604	97-04	Shifter Boot - Lower	\$38 ⁹⁹
52274	97-04	Shifter Knob - Manual - Reproduction	\$63 ⁹⁹
38600	97-04	Shifter Knob - Manual - Exc. Pace Car	\$149 ⁹⁹
38601	98	Shifter Knob - Manual - Pace Car	\$185 ⁹⁹
38602	97-04	Shifter Rod	\$275 ⁹⁹
51313	97-04	Main Shift Shaft Kit - Short	\$36 ⁹⁹
51035	97-04	Neutral Safety Backup Lamp Switch - Manual	\$7 ⁹⁹
53025	97-04	B&M Precision Manual Sport Shifter - Shortens Shifter Throw - C5 & C6 Including Z06	\$322 ⁹⁹
53040	97-04	Hurst Shifter Handle Knob - White - Manual - 6 Spd.	\$53 ⁹⁹
53041	97-04	Hurst Shifter Handle Knob - Black - Manual - 6 Spd.	\$53 ⁹⁹
53046	97-04	Hurst Manual Short Shifter - Borg Warner T-56 Manual Transmission	\$325 ⁹⁹

1997-1999 SHIFTER - MANUAL



1997-2004 AUTOMATIC SHIFTER KNOB



Change the look of your C5's automatic shifter by installing an Automatic Shifter Knob. Available in high-quality Woodgrain finish. Easy to install using the included instructions.

X2408	97-04	Auto Shifter Knob - Woodgrain	\$20 ⁹⁹
--------------	-------	-------------------------------	--------------------



#38628 Clutch Master Cylinder



#38625 Clutch Actuator Cylinder



#38635 Clutch Pedal Return Spring



#44835 Clutch Kit - 11 11/16" 26 spline



#38609 1997-2004 Neutral Safety/Backup Lamp Switch. Automatic



#53027 1997-2003 Ignition - Park - Start Switch



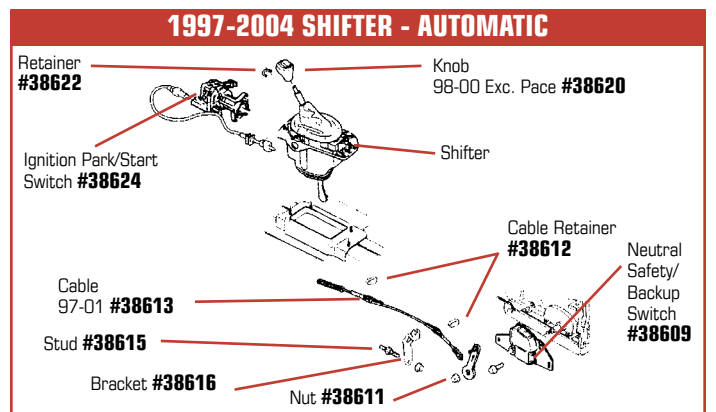
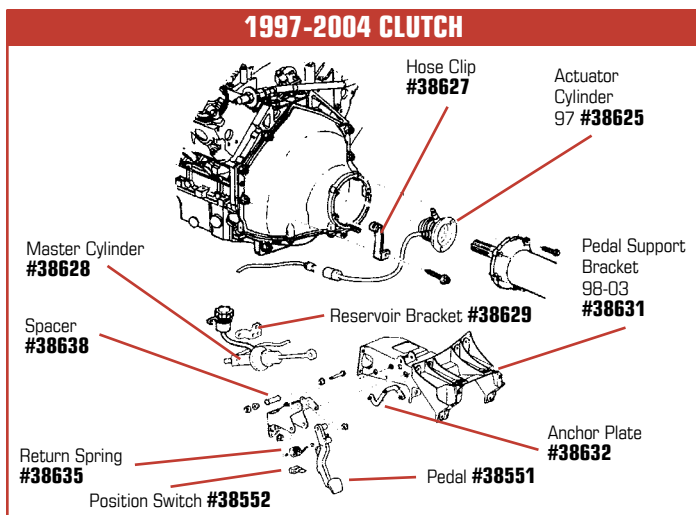
#38624 1997-2004 Ignition/Park/Start Switch

1997-2004 CLUTCH

38625	97-04	Clutch Actuator Cylinder	\$141 ⁹⁹
38627	97-04	Clutch Actuator Cylinder Hose Clip	\$20 ⁹⁹
44835	97-04	Clutch Kit - 11 11/16" 26 spline	\$468 ⁹⁹
38628	97-00	Clutch Master Cylinder	\$232 ⁹⁹
38629	97-04	Clutch Master Cylinder Reservoir Bracket	\$30 ⁹⁹
38551	97-04	Clutch Pedal	\$129 ⁹⁹
38632	97-04	Clutch Pedal Lever Bracket Anchor Plate	\$19 ⁹⁹
29949	97-99	Clutch Pedal Pivot Bushing	\$2 ⁹⁹
38638	97-04	Clutch Pedal Pivot Spacer	\$6 ⁹⁹
38552	97-04	Clutch Pedal Position Switch	\$9 ⁹⁹
38635	97-04	Clutch Pedal Return Spring	\$9 ⁹⁹
38634	97-04	Clutch Pedal Return Spring Bushing - Inboard	\$3 ⁹⁹
38633	97-04	Clutch Pedal Return Spring Bushing - Outboard	\$3 ⁹⁹
38631	97-04	Pedal Support / Steering Column Bracket	\$255 ⁹⁹

1997-2004 SHIFTER - AUTOMATIC

28503	97-04	Indicator Repair Kit	\$24 ⁹⁹
28504	97-04	Auto. Shifter Cable Repair Bushing Kit - Set Of 2	\$23 ⁹⁹
29638	97-04	Indicator Light Socket	\$24 ⁹⁹
38609	97-04	Neutral Safety / Backup Lamp Switch - Auto	\$50 ⁹⁹
38611	97-04	Range Selector Lever Nut	\$1 ⁹⁹
38613	97-01	Shift Cable - Automatic	\$108 ⁹⁹
38612	97-04	Shift Cable Retainer	\$9 ⁹⁹
38620	97-04	Shifter Knob - Automatic - Exc. Pace Car	\$101 ⁹⁹
38622	97-04	Shifter Knob Retainer	\$3 ⁹⁹
38624	97-04	Switch - Ignition/Park/Start	\$144 ⁹⁹
38615	97-04	Stud - To Transaxle - 3 req'd	\$10 ⁹⁹
50699	97-04	Trans Control Solenoid	\$42 ⁹⁹
50064	97-04	Auto Transmission Filter	\$51 ⁹⁹
51251	97-02	Auto Transmission Control Solenoid	\$63 ⁹⁹
51253	97	Auto Trans Control Solenoid - Lockup / 3-2 Shift	\$37 ⁹⁹
51252	97-04	Auto Transmission Shift Improvement Kit	\$70 ⁹⁹
51255	97-00	Auto Transmission Master Repair Kit	\$234 ⁹⁹
51256	01-03	Auto Transmission Master Repair Kit	\$234 ⁹⁹
50064	97-04	Auto Transmission Filter	\$51 ⁹⁹
51236	97-02	Transmission Oil Pan - Auto	\$35 ⁹⁹
53026	97-03	B&M Torque Converter - Holeshoot 2400 - LS1 Engine w/ 4L60E A/T	\$556 ⁹⁹
53027	97-03	B&M Torque Converter - Holeshoot 3000 - LS1 Engine w/ 4L60E A/T	\$720 ⁹⁹



WARNING: Cancer and Reproductive Harm - www.P65Warnings.ca.gov



SOFTTOP & DECKLID



#38708 1998-2000
Deck Lid Extension Panel - Silver

#38714 1997-2004
Deck Lid Ajar Indicator Switch



#38687 1998-2004
Decklid Strut Rod



#38715 1998-2004
Deck Lid Release Switch

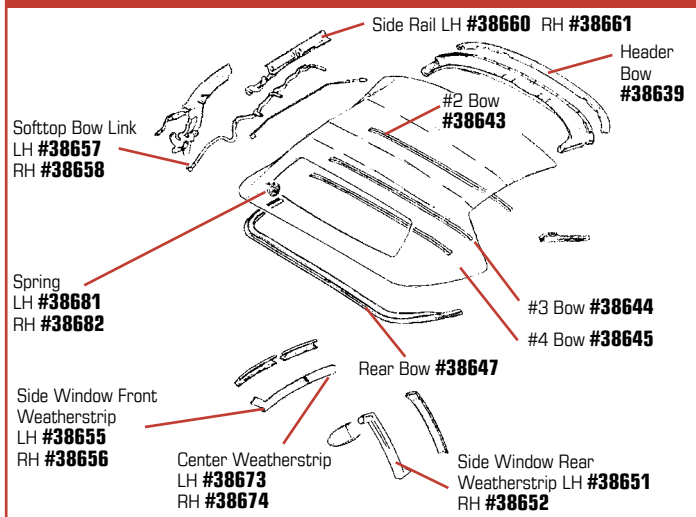
1998-2004 SOFTTOP

38639	98-04	Softtop Header Bow #1.....	\$556⁹⁹
38643	98-04	Softtop Bow #2 or #3.....	\$220⁹⁹
38645	98-04	Softtop Bow #4.....	\$220⁹⁹
38647	98-04	Softtop Bow #5.....	\$613⁹⁹
38644	98-02	Softtop Bow Fastener Kit #2 or #3.....	\$33⁹⁹
38646	98-04	Softtop Bow Fastener Kit #4.....	\$44⁹⁹
38648	98-04	Softtop Bow Fastener Kit #5.....	\$38⁹⁹
38657	98-00	Softtop Bow Link - LH.....	\$722⁹⁹
38658	98-00	Softtop Bow Link - RH.....	\$343⁹⁹
38659	98-02	Softtop Bow Link Fastener Kit.....	\$43⁹⁹
38681	98-02	Softtop Counterbalance Spring - LH.....	\$60⁹⁹
38682	98-02	Softtop Counterbalance Spring - RH.....	\$60⁹⁹
38683	98-02	Softtop Counterbalance Spring Fastener Kit.....	\$36⁹⁹
38671	98-02	Softtop Frame Tension Strap - LH.....	\$165⁹⁹
38672	98-02	Softtop Frame Tension Strap - RH.....	\$129⁹⁹
38640	98-04	Softtop Header Bow Fastener Kit.....	\$33⁹⁹
38679	98-00	Softtop Headliner.....	\$1141⁹⁹
38680	98-04	Softtop Headliner Fastener Kit.....	\$36⁹⁹
38666	98-04	Softtop Rear Side Rail Weatherstrip.....	\$304⁹⁹
38667	98-04	Softtop Rear Side Rail WS Fastener Kit.....	\$35⁹⁹
38660	98-04	Softtop Side Rail - LH.....	\$238⁹⁹
38661	98-04	Softtop Side Rail - RH.....	\$209⁹⁹
38662	98-02	Softtop Side Rail Fastener Kit.....	\$214⁹⁹
38673	98-04	Softtop Side Window Center Weatherstrip - LH.....	\$116⁹⁹
38674	98-04	Softtop Side Window Center Weatherstrip - RH.....	\$116⁹⁹
38655	98-04	Softtop Side Window Front Weatherstrip - LH.....	\$236⁹⁹
38656	98-04	Softtop Side Window Front Weatherstrip - RH.....	\$236⁹⁹
38651	98-04	Softtop Side Window Rear Weatherstrip - LH.....	\$115⁹⁹
38652	98-04	Softtop Side Window Rear Weatherstrip - RH.....	\$115⁹⁹

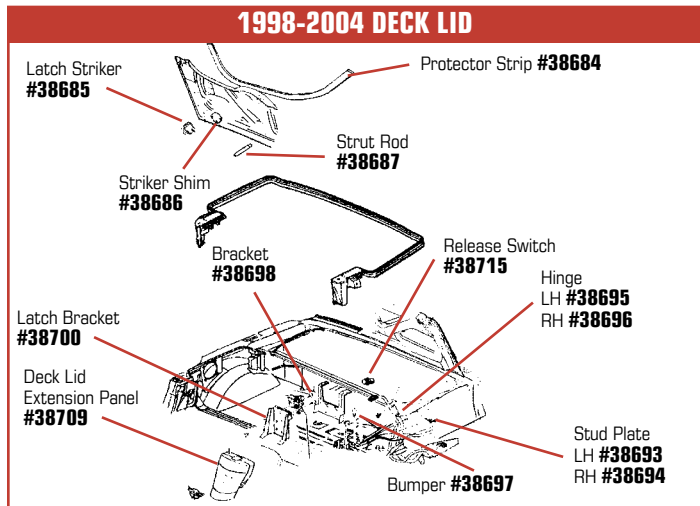
1998-2004 DECKLID

38714	98-04	Deck Lid Ajar Indicator Switch.....	\$17⁹⁹
38697	98-04	Deck Lid Bumper.....	\$0⁹⁹
38698	98-04	Deck Lid Extension Panel Bracket.....	\$14⁹⁹
38709	98-99	Deck Lid Extension Panel - Amethyst - Paint Code 95U.....	\$299⁹⁹
38710	98	Deck Lid Extension Panel - Blue - Paint Code 21U.....	\$299⁹⁹
38707	98	Deck Lid Extension Panel - Green - Paint Code 87U.....	\$299⁹⁹
38705	98	Deck Lid Extension Panel - Red - Paint Code 53U.....	\$299⁹⁹
38711	98-99	Deck Lid Extension Panel - Suede - Code 58U.....	\$299⁹⁹
38703	98-00	Deck Lid Extension Panel - Blue - Paint Code 23U.....	\$299⁹⁹
38708	98-00	Deck Lid Extension Panel - Silver - Code 13U.....	\$214⁹⁹
38701	98-00	Deck Lid Extension Panel - White - Code 10U.....	\$299⁹⁹
38712	98-01	Deck Lid Extension Panel - Blue - Paint Code 28U.....	\$299⁹⁹
38704	98-02	Deck Lid Extension Panel - Black - Paint Code 41U.....	\$514⁹⁹
38782	98-02	Deck Lid Extension Panel - Red - Paint Code 70U.....	\$403⁹⁹
38702	98-02	Deck Lid Extension Panel - White - Code 11U.....	\$299⁹⁹
38713	99	Deck Lid Extension Panel - Red - Paint Code 86U.....	\$299⁹⁹
52327	97-04	Deck Lid / Hatch Pop Assist.....	\$23⁹⁹
55197	97-04	Hatch Catch Plate, Satin - 2pc.....	\$80⁹⁹
38693	98-04	Deck Lid Hinge Stud Plate - LH.....	\$7⁹⁹
38694	98-04	Deck Lid Hinge Stud Plate - RH.....	\$7⁹⁹
38700	98-04	Deck Lid Latch Bracket.....	\$14⁹⁹
38685	98-04	Deck Lid Latch Striker.....	\$9⁹⁹
38686	98-04	Deck Lid Latch Striker Shim.....	\$17⁹⁹
38684	98-04	Deck Lid Protector Strip.....	\$151⁹⁹
51501	98-04	Deck Lid Support Strut Rod.....	\$30⁹⁹
38687	98-04	Deck Lid Strut Rod.....	\$37⁹⁹
38715	98-04	Deck Lid Release Switch.....	\$20⁹⁹
38688	98-04	Shoulder Belt Guide Bracket - Driver Side.....	\$49⁹⁹
38689	98-04	Shoulder Belt Guide Bracket - Passenger Side.....	\$49⁹⁹

1998-2004 SOFTTOP



1998-2004 DECKLID





1998-2004 DECK PROTECTORS

Prevent your softtop from scratching your Corvette's rear deck. Deck Lid Protectors are static cling film (no adhesives needed!), die-cut for your model year! Covers the area where your top comes in contact with your rear deck.

- 41969** 98-04 Deck Lid Protector, Softtop - Clear \$26⁹⁹
- 41970** 98-04 Deck Lid Protector, Softtop - Black \$26⁹⁹



1998-2004 CONVERTIBLE PROTECTOR CURTAIN

Prevent damage to your stowed convertible top with this easy-to-use and affordable solution! Simply attach with included Velcro® for fast installation and removal.

- 42011** 98-04 Convertible Protector Curtain \$32⁹⁹



1998-2004 EMBROIDERED TRUNK LID LINERS

These beautifully embroidered Corvette Trunk Liners are available for the C5 and C6 convertible or hardtop. They fill the recessed area of your trunk lid for a stylish and finished look that the factory didn't include. Can be installed in minutes.

- 47334** 03 Trunk Liner - Gold 50th Logo \$111⁹⁹



STEERING

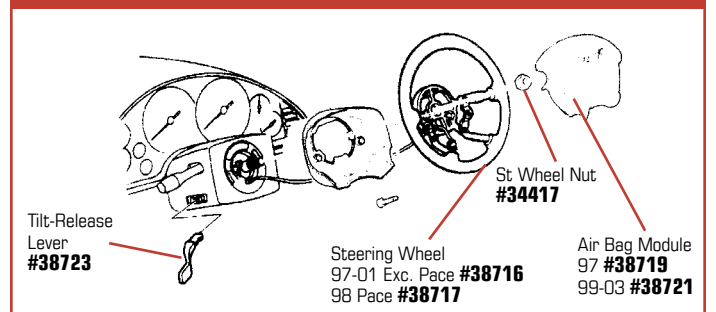
1997-2004 STEERING WHEEL

- 38719** 97 Air Bag Module \$1030⁹⁹
- 38720** 98 Air Bag Module \$975⁹⁹
- 38721** 99-04 Air Bag Module \$878⁹⁹
- 49984** 97-04 Air Bag Module - Export \$546⁹⁹
- 38731** 99-04 Air Bag Module Coil \$292⁹⁹
- 34428** 97-04 Horn Contact Membrane \$69⁹⁹
- 38716** 97-04 Steering Wheel - Exc. Pace Car \$660⁹⁹
- 38717** 98 Steering Wheel - Pace Car \$343⁹⁹
- 38733** 97-04 Steering Column Housing \$390⁹⁹



- 38740** 97-04 Steering Column Housing Bumper - w/o Tilt & Tele \$9⁹⁹
- 38744** 97-04 Steering Column Housing Support - w/o Tilt & Tele .. \$5⁹⁹
- 38746** 97-04 Steering Column Jacket - w/o Tilt & Tele \$235⁹⁹
- 48583** 97-04 Steering Column Lock Bypass \$91⁹⁹
- 38729** 97-04 Steering Column Lower Cover - 99-04 w/o Tilt & Tele.. \$62⁹⁹
- 38739** 99-04 Steering Column Shaft - Lower w/ Tilt & Tele..... \$604⁹⁹

1997-2004 STEERING WHEEL



WARNING: Cancer and Reproductive Harm - www.P65Warnings.ca.gov





#38727 1997-2004
Headlamp/Turn Signal
/Cruise Control Switch



#34417 1997-2004
Steering Wheel Nut
M14 X 1.5



#38245 1997-2004
Power Steering Pump Pulley



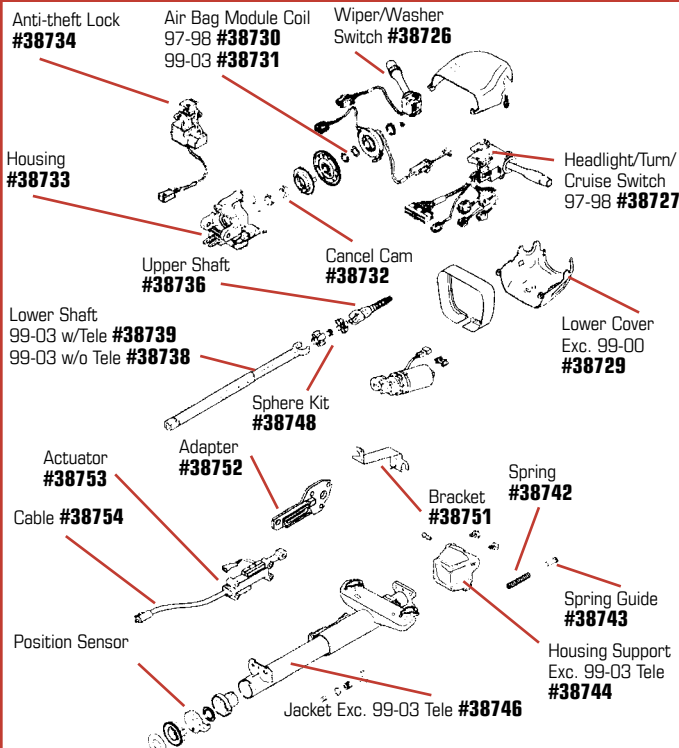
#51081 1997-2004
Power Steering Pump
- Remanufactured

1997-2004 STEERING COLUMN

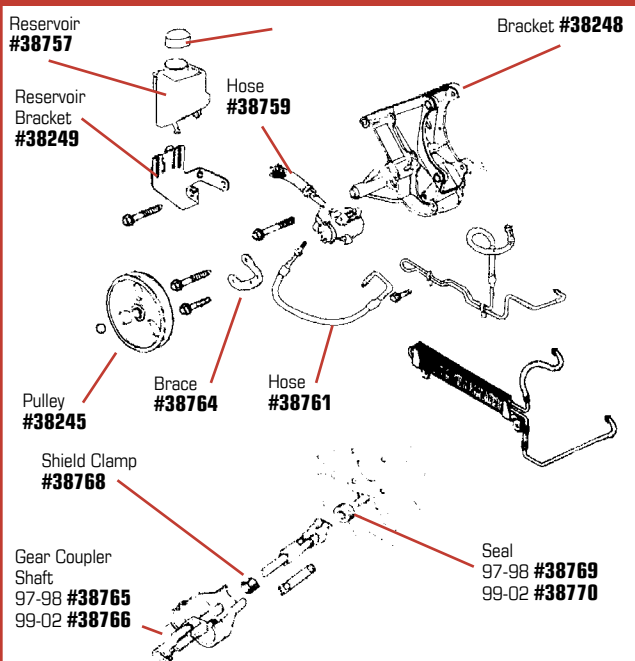
38738	99-04	Steering Column Shaft - Lower w/o Tilt & Tele	\$373⁹⁹
38736	97-04	Steering Column Shaft - Upper	\$81⁹⁹
38748	97-04	Steering Column Shaft Sphere Kit	\$12⁹⁹
38742	97-98	Steering Column Tilt Spring	\$10⁹⁹
38743	97-04	Steering Column Tilt Spring Guide	\$8⁹⁹
38734	97-04	Steering Wheel Anti-Theft Lock	\$338⁹⁹
34417	97-04	Steering Wheel Nut	\$8⁹⁹
38753	99-04	Telescopic Column Actuator	\$419⁹⁹
38752	99-02	Telescopic Column Actuator Adapter	\$86⁹⁹
38751	99-04	Telescopic Column Actuator Bracket	\$20⁹⁹
38754	99-04	Telescopic Column Actuator Cable	\$75⁹⁹
38727	97-04	Headlamp/Turn Signal/Cruise Control Switch	\$371⁹⁹
38732	97-04	Turn Signal Cancel Cam	\$10⁹⁹
38726	97-04	Windshield Wiper/Washer Switch	\$200⁹⁹
42985	97-04	Power Steering Fluid	\$11⁹⁹
38757	97-04	Power Steering Fluid Reservoir	\$65⁹⁹
38249	97-04	Power Steering Fluid Reservoir Bracket	\$9⁹⁹

38761	97-04	Power Steering Hose - Gear Inlet	\$15⁹⁹
38759	97-04	Power Steering Hose - Reservoir Inlet	\$38⁹⁹
50917	97-04	Power Steering Hose - Reservoir Inlet - Cut-to-Fit	\$17⁹⁹
39713	97-04	Power Steering Hose Seal	\$7⁹⁹
51081	97-04	Power Steering Pump - Remanufactured	\$167⁹⁹
38764	97-04	Power Steering Pump Brace	\$11⁹⁹
38248	97-04	Power Steering Pump/Generator Mount Bracket	\$117⁹⁹
38245	97-04	Power Steering Pump Pulley	\$27⁹⁹
50918	97-04	Power Steering Pump Rebuild Kit - Complete	\$18⁹⁹
50919	97-04	Power Steering Pump Seal Kit	\$7⁹⁹
38769	97-98	Steering Column Seal	\$13⁹⁹
38770	99-04	Steering Column Seal	\$21⁹⁹
38765	97-98	Steering Gear Coupler Shaft	\$118⁹⁹
38766	99-04	Steering Gear Coupler Shaft	\$424⁹⁹
38768	97-04	Steering Gear Coupler Shield Clamp	\$6⁹⁹
38822	97-04	Steering Gear & Upper Control Arm Bolt	\$2⁹⁹
50866	97-04	CV Joint Boot Kit - Inner	\$7⁹⁹
38775	97-04	Dampener Ring	\$9⁹⁹
38774	97-04	Inner Tie Rod End - 2 req'd	\$23⁹⁹

1997-2004 STEERING COLUMN



1997-2004 POWER STEERING PUMP & HOSES



#38774 1997-2004
Inner Tie Rod End



#38772 1997-2004
Outer Tie Rod End



SUSPENSION - FRONT



#38805 1997-2004
RH Front / LH Rear Knuckle



#38812 1997-2002
Lower Control Arm - RH

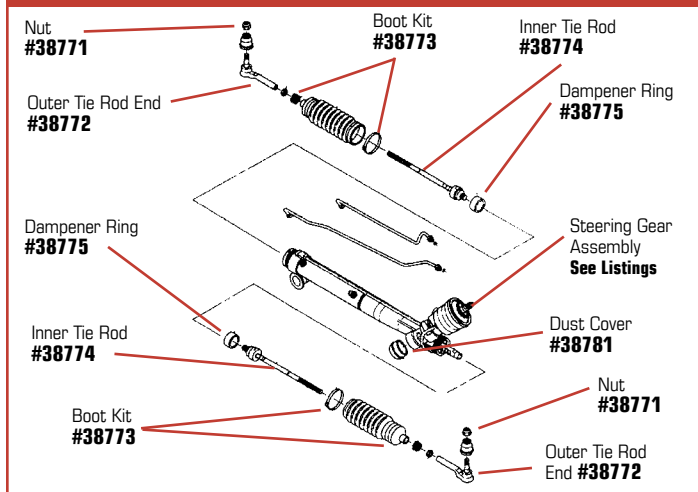
1997-2004 STEERING (CONTINUED)

38772	97-04	Outer Tie Rod End - 2 req'd	\$57 ⁹⁹
50868	97-04	Inner Tie Rod End - Pro Grade - 2 req'd	\$57 ⁹⁹
50867	97-04	Outer Tie Rod End - Pro Grade - 2 req'd	\$69 ⁹⁹
51741	97-04	Inner Tie Rod End - Delco - 2 req'd	\$166 ⁹⁹
51729	97-04	Outer Tie Rod End - Delco - 2 req'd	\$73 ⁹⁹
52480	97-04	Tie Rod End - Outer R/L	\$26 ⁹⁹
52486	97-04	Tie Rod End - Inner	\$16 ⁹⁹
38771	97-04	Outer Tie Rod Nut - 2 req'd	\$2 ⁹⁹
25686	97-04	Rack & Pinion	\$261 ⁹⁹
25678	97-04	Rack & Pinion Core Charge	\$400 ⁰⁰
38779	98	Steering Gear Assembly - Remanufactured - 98L	\$611 ⁹⁹
38773	97-04	Steering Gear Boot Kit - 2 req'd	\$83 ⁹⁹
38781	97-04	Steering Gear Housing Dust Cover	\$32 ⁹⁹
50942	97-04	Steering Gear Boot Kit Replacement - 2 req'd	\$29 ⁹⁹

1997-2004 FRONT SUSPENSION

52294	97-04	Front Suspension Rebuild Kit	\$249 ⁹⁹
52295	97-04	Front Suspension Rebuild Kit - Pro Grade	\$611 ⁹⁹
51085	01-04	Body Control Computer - Remanufactured	\$197 ⁹⁹
38806	97-04	Brake Bearing Shield - LH	\$7 ⁹⁹
38807	97-04	Brake Bearing Shield - RH	\$7 ⁹⁹
38808	97-04	Front Wheel Bearing	\$101 ⁹⁹
52132	97-04	Front-Wheel Bearing - Delco	\$350 ⁹⁹
38811	97-02	Lower Control Arm - LH	\$368 ⁹⁹
38812	97-02	Lower Control Arm - RH	\$513 ⁹⁹
38814	97-04	Lower Control Arm Adjustment Cam	\$8 ⁹⁹
38815	97-04	Lower Control Arm Bolt Nut	\$1 ⁹⁹
38829	97-04	Position Sensor Link Ball Stud - w/ F45 Real Time Damping	\$12 ⁹⁹
38830	97-02	Position Sensor Lead Bracket - LH w/ F45 Real Time Damping	\$2 ⁹⁹
38831	97-02	Position Sensor Lead Bracket - RH - w/ F45 Real Time Damping	\$2 ⁹⁹
38834	97-04	Position Sensor Link - LH - w/ F45 Real Time Damping	\$42 ⁹⁹
38836	97-04	Position Sensor - LH - w/ F45 Real Time Damp.	\$715 ⁹⁹
38837	97-04	Position Sensor - RH - w/ F45 Real Time Damp.	\$533 ⁹⁹
49975	97-04	Ride Sensor - LH - Export	\$715 ⁹⁹
49985	97-03	Shock Absorber - LH - Export	\$999 ⁹⁹
38833	97-02	Shock Absorber - RH - w/ F45 Real Time Damp.	\$884 ⁹⁹
38794	97-02	Shock Bracket - Lower - LH	\$13 ⁹⁹
38795	97-02	Shock Bracket - Lower - RH	\$22 ⁹⁹
38783	97-99	Shock Bracket Reinforcement - Lower - LH	\$6 ⁹⁹
38784	97-99	Shock Bracket Reinforcement - Lower - RH	\$2 ⁹⁹
38792	97-99	Shock Insulator	\$19 ⁹⁹
38793	97-99	Shock Insulator Retainer	\$8 ⁹⁹
38803	97-04	Shock Mount Bolt	\$1 ⁹⁹
38791	97-04	Shock Mount Nut	\$3 ⁹⁹
38827	97-04	Spring - Front - w/ Soft Ride w/ Real Time Damping	\$473 ⁹⁹
38825	97-04	Spring - Front - w/ Soft Ride w/o Real Time Damping	\$478 ⁹⁹
38826	97-04	Spring - Front - w/ Sport Suspension	\$560 ⁹⁹
38828	97-04	Spring Retainer - Front - 2 req'd	\$10 ⁹⁹
38813	97-04	Stabilizer Bar Link	\$24 ⁹⁹
51762	97-04	Stabilizer Bar Link - Pro Grade	\$41 ⁹⁹
38817	97-99	Stabilizer Bar - w/ FE3 Sport Suspension	\$272 ⁹⁹
38820	97-04	Stabilizer Bar Insulator Clamp	\$8 ⁹⁹
38821	97-04	Stabilizer Bar Insulator Clamp Bolt	\$3 ⁹⁹
38818	97-04	Stabilizer Bar Insulator - w/ FE1 Soft Ride Suspension	\$15 ⁹⁹
38819	97-99	Stabilizer Bar Insulator - w/ FE3 Sport Suspension	\$6 ⁹⁹

1997-2004 STEERING GEAR



1997-2004 WHEELSKINS® LEATHER STEERING WHEEL COVERS

These covers combine either two colors of leather (Euro) for an attractive interior accent or a single piece (Uno). Made from domestic leather available with a patented lacing hole reinforcement design to ensure a perfect fit. Wheelskins are easy to install and a stylish way to customize a worn or damaged wheel.



Euro Design

- 40322** 97-04 Red / Black Euro
- 40304** 97-04 Black Uno

1997-2004 Wheelskins Leather Steering Wheel Cover \$60⁹⁹



WARNING: Cancer and Reproductive Harm - www.P65Warnings.ca.gov





#38813 1997-2004
Stabilizer Bar Link

#50865 1997-2004
Lower Ball Joint - Pro Grade

38779	98	Steering Gear Assembly - Remanufactured - 98L ..	\$611⁹⁹
38822	97-04	Steering Gear & Upper Control Arm Bolt.....	\$2⁹⁹
38823	98-04	Steering Gear Mount Bolt.....	\$6⁹⁹
38824	97-04	Steering Gear Mount Bolt Nut.....	\$6⁹⁹
38804	97-04	Steering Knuckle - LH.....	\$406⁹⁹
38805	97-04	Steering Knuckle - RH.....	\$406⁹⁹
38799	97-04	Upper Control Arm - LH.....	\$341⁹⁹
38800	97-04	Upper Control Arm - RH.....	\$341⁹⁹
38797	97	Upper Control Arm Bolt - 8 req'd.....	\$5⁹⁹
38394	98-99	Upper Control Arm Bolt - 8 req'd.....	\$3⁹⁹
38785	97-03	Upper Control Arm Bracket - LH.....	\$19⁹⁹
38786	97-04	Upper Control Arm Bracket - RH.....	\$19⁹⁹
38796	97-04	Upper Control Arm Washer - 8 req'd.....	\$4⁹⁹
38809	97-04	Wheel Hub Bolt.....	\$5⁹⁹
34456	97-04	Front Hub & Bearing Asbly.-Speed Sensor Studs..	\$79⁹⁹
50769	97-04	Vehicle Speed Sensor.....	\$40⁹⁹
50864	97-04	Upper Ball Joint - Pro Grade.....	\$61⁹⁹
50865	97-04	Lower Ball Joint - Pro Grade.....	\$88⁹⁹
51760	97-04	Upper Ball Joint.....	\$30⁹⁹
51761	97-04	Lower Ball Joint.....	\$30⁹⁹



1997-2004 POLYURETHANE TOTAL BUSHING KIT

Improves ride and handling, outlasts stock rubber bushings.
ONE KIT, ONE LOW PRICE

Durable and reliable, Prothane bushings are tested & proven to outlast stock rubber bushings in the most demanding conditions. These kits are convenient & much more affordable than purchasing individual pieces at a higher cost.

Polyurethane Total Suspension Kit includes:

Front & Rear Control Arm Bushings, Rack and Pinion Bushings, Rear Spring Cushions, Rear Strut Rod Bushings, Differential Pinion Bushings and Tie Rod End Boots.

42673	97-04	Total Kit Polyurethane Bushing Set	\$111⁹⁹
42664	97-04	Polyurethane Front Control Arm Bushing Set.....	\$45⁹⁹
42665	97-04	Polyurethane Rear Control Arm Bushing Set	\$62⁹⁹
42666	97-04	Front Sway Bar Bushings - Poly 23mm - pr.....	\$16⁹⁹
42667	97-04	Front Sway Bar Bushings - Poly 26mm - pr.....	\$16⁹⁹
42668	97-04	Rear Sway Bar Bushings - Poly 19mm - pr.....	\$11⁹⁹
42669	97-04	Rear Sway Bar Bushings - Poly 22mm - pr.....	\$16⁹⁹
42672	97-04	Polyurethane Rear Spring Cushion Set - 4 pc.....	\$9⁹⁹



1997-2004 SWAY BAR KITS

4244	97-04	Sway Bar Kit - Front - 1 1/4"	\$194⁹⁹
4245	97-04	Sway Bar Kit - Rear - 7/8".....	\$234⁹⁹



#43922

1997-2004 BILSTEIN GAS SHOCK ABSORBERS

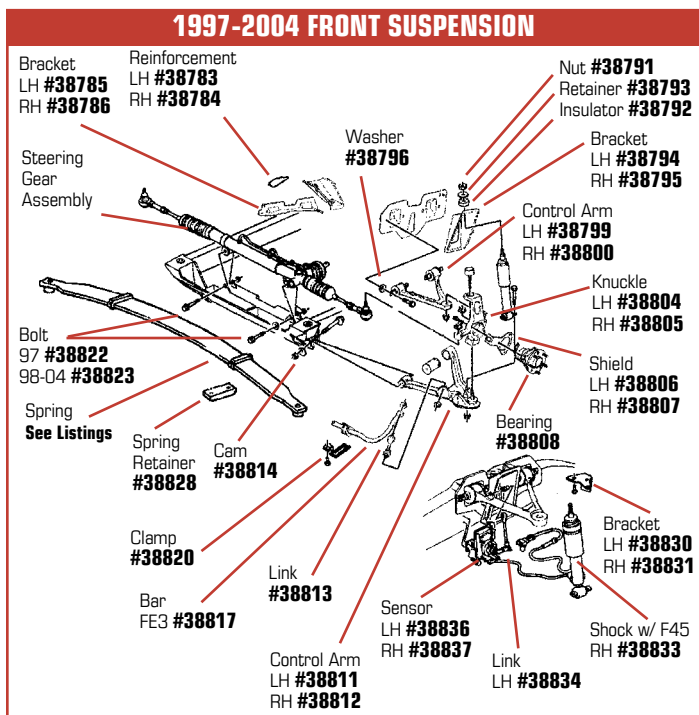
Gas pressure shocks are constructed to dissipate heat more effectively to improve the ride, handling and control of your car. Built to last with a lifetime warranty to prove it.

43919	97-04	Bilstein Shock - Heavy Duty - Front (ea)	\$109⁹⁹
43920	97-04	Bilstein Shock - Heavy Duty - Rear (ea)	\$109⁹⁹
43921	97-04	Bilstein Shock - Front - w/ Z51 (ea)	\$118⁹⁹
43922	97-04	Bilstein Shock - Rear - w/ Z51 (ea).....	\$118⁹⁹
46645	97-04	Bilstein Shock Set - Heavy Duty (2 front, 2 rear) ...	\$437⁹⁹
46646	97-04	Bilstein Shock Set - Z51 (2 front, 2 rear).....	\$473⁹⁹

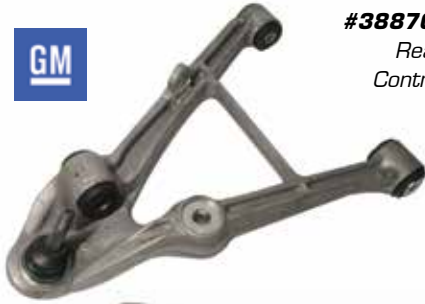
1997-2004 MONROE SHOCK ABSORBERS



51274	97-04	Monroe Shock Absorber - Front	\$60⁹⁹
51275	97-04	Monroe Shock Absorber - Rear	\$60⁹⁹



SUSPENSION - REAR



#38870 1997-2004
Rear Lower
Control Arm RH



#38911 1998-2004
Rear Crossmember w/JAG

1997-2004 REAR SUSPENSION

38838	97	Frame Rail Spacer - Blue.....	\$7 ⁹⁹
38805	97-04	Knuckle - LH.....	\$406 ⁹⁹
38804	97-04	Knuckle - RH.....	\$406 ⁹⁹
38814	97-04	Lower Control Arm Adjustment Cam	\$8 ⁹⁹
38909	97-04	Lower Control Arm Bolt - Rear Position	\$11 ⁹⁹
38815	97-04	Lower Control Arm Nut.....	\$1 ⁹⁹
38869	97-04	Lower Control Arm - Rear - LH	\$583 ⁹⁹
38870	97-04	Lower Control Arm - Rear - RH.....	\$583 ⁹⁹
38771	97-04	Outer Tie Rod Nut - 2 req'd	\$2 ⁹⁹
38253	97-04	Park Brake Cable Bracket Bolt	\$4 ⁹⁹
38050	97-04	Park Brake Cable Bracket - Rear - LH	\$27 ⁹⁹
38051	97-04	Park Brake Cable Bracket - Rear - RH	\$29 ⁹⁹
38060	97-98	Park Brake Shoe & Hardware Kit - 2 req'd.....	\$479 ⁹⁹
38845	97-04	Position Sensor Bracket w/F45 Real Time Damping...	\$9 ⁹⁹
38829	97-04	Position Sensor Link Ball Stud - w/ F45.....	\$12 ⁹⁹
38872	97-04	Position Sensor Link - Rear - RH - w/ F45	\$68 ⁹⁹
38873	97-04	Position Sensor - Rear - LH - w/ F45	\$618 ⁹⁹
38874	97-04	Position Sensor - Rear - RH - w/ F45.....	\$618 ⁹⁹
38910	97-98	Rear Crossmember	\$989 ⁹⁹
38911	98-04	Rear Crossmember - 98 w/JAG.....	\$1044 ⁹⁹
38908	97-04	Rear Crossmember Bolt Nut.....	\$3 ⁹⁹
38850	97-04	Rear Crossmember Bracket - LH Front.....	\$15 ⁹⁹
38851	97-04	Rear Crossmember Bracket - RH Front	\$15 ⁹⁹
38852	97-04	Rear Crossmember Bracket - LH Rear	\$12 ⁹⁹
38853	97-04	Rear Crossmember Bracket - RH Rear	\$12 ⁹⁹
38899	97-04	Rear Spring - w/ Soft Ride Susp. - 98-99 Auto	\$1029 ⁹⁹
38901	98-04	Rear Spring - w/ Soft Ride Suspension - Manual	\$917 ⁹⁹
38897	97-98	Rear Spring Bolt - Position 2	\$0 ⁹⁹
38898	99-04	Rear Spring Bolt - Position 2	\$4 ⁹⁹
30738	97-99	Rear Spring Insulator Cushion - Outer.....	\$14 ⁹⁹
38828	97-04	Rear Spring Retainer - 2 req'd.....	\$10 ⁹⁹
38895	98-04	Rear Spring Insulator Retainer.....	\$11 ⁹⁹
38815	97-04	Rear Spring Nut - Position 1	\$1 ⁹⁹
38894	97	Rear Spring Nut - Position 2.....	\$5 ⁹⁹
38890	97	Rear Suspension Adjuster Link.....	\$99 ⁹⁹
38888	97-04	Rear Suspension Adjuster Link Boot	\$23 ⁹⁹
38889	97-04	Rear Susp Adjuster Link Boot Clamp - 19mm.....	\$6 ⁹⁹
38887	97-04	Rear Susp Adjuster Link Boot Clamp - 44mm.....	\$6 ⁹⁹

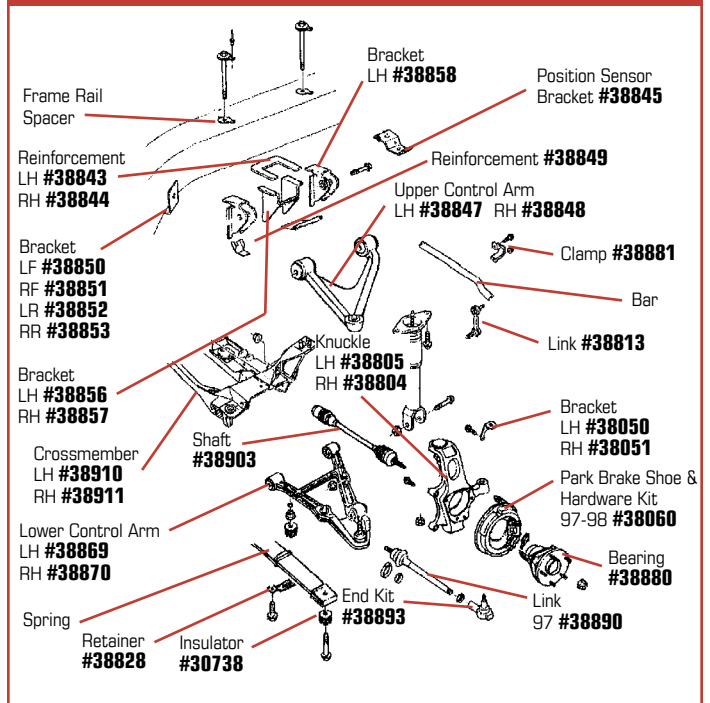
#38877 1997-2004

Shock Absorber w/Soft Ride Suspension



38868	97-04	Rear Suspension Adjuster Link Nut - Inner	\$2 ⁹⁹
38892	97-04	Rear Suspension Adjuster Link Nut - Outer	\$15 ⁹⁹
38893	97-02	Rear Suspension Adjuster Link Outer End Kit.....	\$134 ⁹⁹
38885	97-04	Rear Sway Bar - w/ Soft Ride Suspension.....	\$93 ⁹⁹
38883	97-99	Rear Sway Bar Insulator - w/ Soft Ride Susp.	\$26 ⁹⁹
38884	97-99	Rear Sway Bar Insulator - w/ Sport Suspension	\$11 ⁹⁹
38881	97-04	Rear Sway Bar Insulator Clamp.....	\$9 ⁹⁹
38813	97-04	Rear Sway Bar Link	\$24 ⁹⁹
38824	97-04	Rear Sway Bar Link Nut	\$6 ⁹⁹
38801	97-04	Tie Rod End - Rear - High Performance	\$51 ⁹⁹
38903	97-02	Rear Wheel Drive Shaft.....	\$483 ⁹⁹
51073	97-02	Rear Wheel Drive Shaft - Remanufactured	\$119 ⁹⁹
38905	97-04	Rear Wheel Drive Shaft Inner Joint Kit.....	\$466 ⁹⁹
38904	97-04	Rear Wheel Drive Shaft Outer Joint Kit.....	\$248 ⁹⁹
38879	97-04	Rear Wheel Drive Shaft Nut	\$4 ⁹⁹
38876	97-04	Shock Absorber - w/ Sport Suspension	\$192 ⁹⁹
38877	97-04	Shock Absorber - w/ Soft Ride Susp. - w/o F45.....	\$171 ⁹⁹
38866	97-02	Shock Absorber - Rear LH - Soft Ride Susp. w/ F45 Real Time Damping.....	\$593 ⁹⁹
38860	97-04	Shock Absorber Bracket Reinforcement - Lower	\$1 ⁹⁹
38843	97-04	Shock Absorber Bracket Reinforce - Upper - LH.....	\$7 ⁹⁹
38844	97-04	Shock Absorber Bracket Reinforce - Upper - RH	\$7 ⁹⁹
38792	97-99	Shock Insulator - Upper	\$19 ⁹⁹
38793	97-99	Shock Insulator Retainer	\$8 ⁹⁹
38863	97-04	Shock Mount Bolt - Upper	\$0 ⁹⁹
38868	97-04	Shock Mount Bolt Nut.....	\$2 ⁹⁹
38856	97-04	Shock Mount Bracket - LH.....	\$36 ⁹⁹
38857	97-04	Shock Mount Bracket - RH	\$75 ⁹⁹

1997-2004 REAR SUSPENSION



WARNING: Cancer and Reproductive Harm -
www.P65Warnings.ca.gov

(833) 4TopFlight | TopFlightAutomotive.com





#38848
1997-2004 Upper
Control Arm - RH



#52133 1997-2004
Rear Wheel Bearing
with Sensor - Delco



1997-2004 REAR SUSPENSION (CONTINUED)

38861	97-04	Shock Mount Nut - Upper	\$0 ⁹⁹
38847	97-04	Upper Control Arm - LH	\$324 ⁹⁹
38848	97-04	Upper Control Arm - RH	\$324 ⁹⁹
38822	97-04	Steering Gear & Upper Control Arm Bolt	\$2 ⁹⁹
38858	97-04	Upper Control Arm Bracket - LH Rear	\$10 ⁹⁹
38849	97-04	Upper Control Arm Bracket Reinforcement	\$6 ⁹⁹
38809	97-04	Wheel Hub Bolt	\$5 ⁹⁹
38880	97-04	Rear Wheel Bearing w/ Sensor	\$91 ⁹⁹
52133	97-04	Rear Wheel Bearing w/ Sensor - Delco	\$223 ⁹⁹
50680	97-04	Differential Bearing & Seal Rebuild Kit	\$121 ⁹⁹
50646	97-04	Universal Rear Axle Seal	\$21 ⁹⁹
51783	97-04	Universal Rear Axle Seal O-Ring	\$27 ⁹⁹
51784	97-04	Universal Rear Axle Housing Gasket	\$9 ⁹⁹

1997-2004 REAR LOWERING KIT

These grade 8, 8" long rear spring bolts let you lower the rear of your C5 or Z06 up to 2 inches. Only basic tools required.



41537	97-04	Lowering Kit - Rear	\$35 ⁹⁹
--------------	-------	---------------------	--------------------

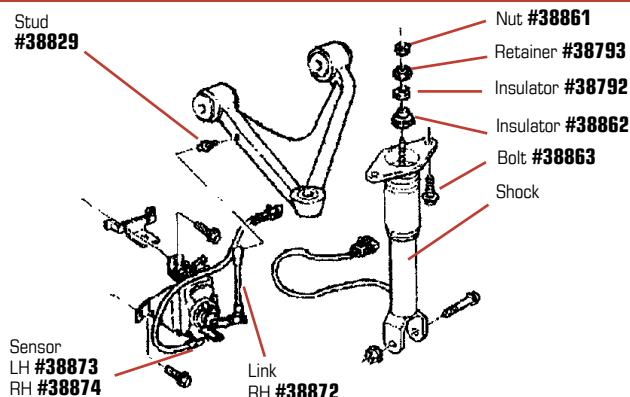
1997-2004 FRONT & REAR LOWERING KIT

Lower your C5's front up to 1.5" and rear up to 2" with this full lowering kit. Installation takes about 2 hours.



41536	97-04	Lowering Kit - Front & Rear	\$75 ⁹⁹
--------------	-------	-----------------------------	--------------------

1997-2004 REAR SUSPENSION W/F45 REAL TIME DAMPING



#38714 1997-2004
Hatch/Deck/Trunk Lid
Ajar Indicator Switch



#38624 1997-2004
Ignition/Park/Start Switch

#38948 1997-2004
Power Window/
Door Lock/Mirror Switch LH/F
with Memory Convenience



1997-2004 SWITCHES

38917	97-04	Back-up Lamp Switch - Manual	\$16 ⁹⁹
38609	97-04	Back-up / Park / Neutral Switch - Auto	\$50 ⁹⁹
38552	97-04	Clutch Pedal Position Switch	\$9 ⁹⁹
38921	97-98	Cruise Control Relay Switch - Manual	\$13 ⁹⁹
38922	99-04	Cruise Control Relay Switch - Manual	\$18 ⁹⁹
38715	98-04	Deck Lid Release Switch	\$20 ⁹⁹
38924	97-00	Electronic Traction Control Switch - w/o F45 or JL4 Active Brake Control	\$156 ⁹⁹
38268	97-04	Engine Oil Level Indicator Switch	\$22 ⁹⁹
38919	97-04	Fog Lamp Switch - European	\$162 ⁹⁹
38923	97-98	Fuel Vapor Canister Vacuum Purge Switch	\$36 ⁹⁹
38937	97-04	Gas Tank Filler Door Release Switch - Domestic	\$51 ⁹⁹
38938	97-04	Gas Tank Filler Door Release Switch - European	\$88 ⁹⁹
38714	97-04	Hatch/Deck Lid/Trunk Lid Ajar Indicator Switch	\$17 ⁹⁹
38490	97-04	Hazard Warning Switch - Domestic	\$38 ⁹⁹
38927	97-99	Heater/AC Blower Control Switch - w/ Manual AC Controls	\$23 ⁹⁹
38930	99-04	Instrument Cluster - Heads-Up Display Dimmer Switch	\$167 ⁹⁹
38933	97-04	Power Window/Door Lock/Mirror Switch - LH w/o Memory Convenience	\$469 ⁹⁹
38932	97-04	Power Window/Door Lock Switch - RH	\$52 ⁹⁹
38948	97-04	Power Window/Door Lock/Mirror Switch LH/RH with Memory Convenience	\$149 ⁹⁹
58159	97-04	Power Window/Door Lock Switch Assembly with Memory Seats - LH	\$89 ⁹⁹
58160	97-04	Power Window/Door Lock Switch Assembly w/o Memory Seats - LH	\$89 ⁹⁹
38920	97-04	Stop Lamp Switch on Pedal	\$43 ⁹⁹
38726	97-04	Windshield Wiper/Washer Switch	\$200 ⁹⁹
30036	97-04	Wiper Switch	\$152 ⁹⁹
50764	97-04	Power Window Switch Connector	\$67 ⁹⁹
38624	97-04	Switch - Ignition/Park/Start	\$144 ⁹⁹



1997-2004 REFURBISHED ORIGINAL ROOF PANELS

Manufactured with an acrylic abrasion-resistant lens, Refurbished Roof Panels offer an economical solution for replacing a top with broken or cracked glass. All weatherstrips are backed by a lifetime manufacturer's warranty against frame / lens separation. A \$500 refundable core charge will be added at the time of purchase. Once returned frame is deemed unbent and unbroken, core charge will be refunded.



44267 97-04 Refurbished Roof Panel - Blue **\$1070⁹⁹**



1997-2004 EMBROIDERED TOP BAGS

Enjoy the breeze without the worries of scratching your top panel. Velcro closures and convenient corner cutouts allow fast, easy storage in your rear mounting brackets. Also available without embroidery.

- 41620** 97-04 Embroidered Top Bag - Black Logo **\$109⁹⁹**
- 41621** 97-04 Embroidered Top Bag - Red Logo **\$109⁹⁹**
- 41622** 97-04 Embroidered Top Bag - Silver Logo **\$109⁹⁹**
- X28135** 97-04 Black - No Logo **\$54⁹⁹**

1997-2004 COUPE ROOF PANEL

- 38591** 98-04 Halo Panel Retaining Clip **\$2⁹⁹**
- 38946** 97-04 Roof Panel Latch Handle Cover - Front **\$11⁹⁹**
- 38947** 97-04 Roof Panel Latch Cover - Rear Center **\$30⁹⁹**
- 38939** 97-04 Roof Panel Molding - LH **\$24⁹⁹**
- 38929** 97-04 Roof Panel Molding **\$91⁹⁹**
- 38971** 97-04 Roof Panel Rear Latch **\$483⁹⁹**
- 38956** 97-04 Roof Panel Rear Locator **\$29⁹⁹**
- 38953** 97-04 Roof Panel Rear Locator Anchor Plate **\$7⁹⁹**
- 38955** 97-04 Roof Panel Rear Locator Bracket - RH **\$10⁹⁹**
- 38967** 97-04 Roof Panel Rear Locator Bracket Nut - 2 req'd **\$0⁹⁹**
- 38968** 97-04 Roof Panel Rear Locator Bracket Nut - 4 req'd **\$4⁹⁹**
- 38963** 97-04 Roof Panel Rear Striker **\$46⁹⁹**
- 48021** 97-04 Roof Side Rail Weatherstrip - Reproduction - pr **\$101⁹⁹**
- 51418** 97-04 Roof Panel Storage Latch Bumper **\$9⁹⁹**
- 38964** 97-04 Sun Visor Retainer - Inboard **\$3⁹⁹**
- 51685** 97-04 Roof & Window Rear Weatherstrip - Reproduction **\$111⁹⁹**
- 38958** 97-04 Roof & Window Weatherstrip Retainer - 4 req'd **\$5⁹⁹**
- 38950** 97-04 Roof & Window Rear Weatherstrip Retainer Clip **\$3⁹⁹**
- 38961** 97-04 Windshield Side Molding - LH **\$336⁹⁹**
- 38962** 97-04 Windshield Side Molding - RH **\$348⁹⁹**



1997-2004 HARDTOP & ROOF PANEL STORAGE CART

This easy-to-use cart is the perfect way to store your Corvette's hardtop or roof panel when it's not in use. Sturdy aluminum construction and padded contact points offer stable and safe support, and the best part is you can roll it around the garage on four swivel casters. Some assembly required. Instructions included.

51000 97-04 Hardtop & Roof Panel Storage Cart **\$164⁹⁹**

1997-2004 ROOF PANEL STORAGE STANDS

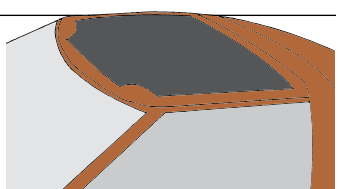
Made of polyurethane, these stands easily pops on and off the rear locating pins allowing you to easily move and store your roof without the worry of damaging the paint, edge or gaskets.



57911 97-04 Roof Panel Storage Stands **\$24⁹⁹**

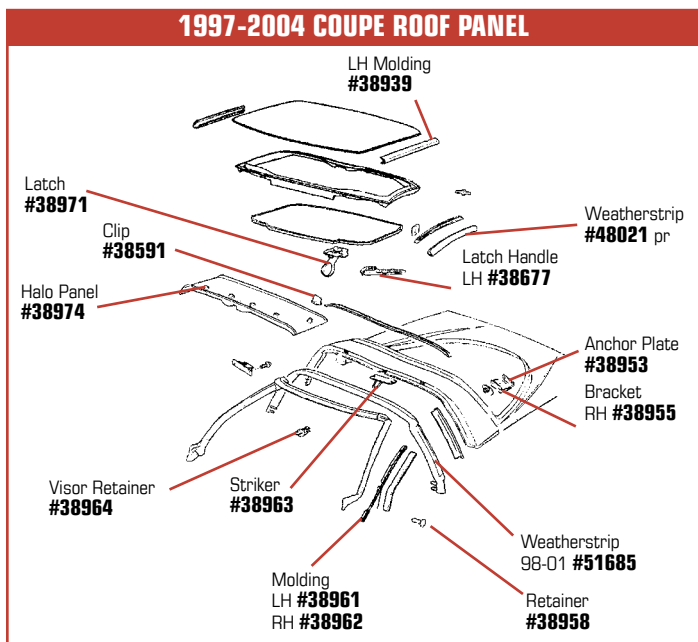
1997-2004 SOLARSHADES

Protect your Vette from the sun's heat, glare and UV rays, with Roof Panel Solarshades! Static-cling film applies to your Corvette's glass roof panel in minutes - install and remove at any time without modifications!



Unique dot-matrix, static-cling vinyl lasts for years.

- 21675** 97-04 Roof Panel Solarshade - Black - Perforated **\$34⁹⁹**
- 21585** 97-04 Roof Panel Solarshade - Black **\$34⁹⁹**



TWO WEATHERSTRIP OPTIONS FOR C5 OWNERS

GM WEATHERSTRIP

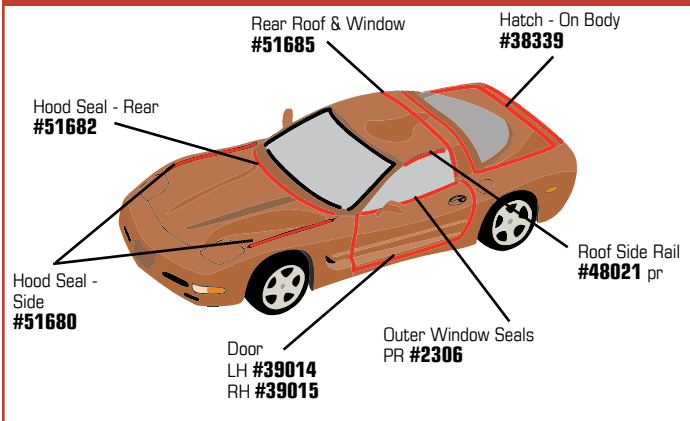
- When GM original pieces are a necessity.
- OE Pieces are directly from GM supplier.

REPRODUCTION WEATHERSTRIP

- Cost effective reproduction pieces.
- When GM originals are not necessary.

1997-2004 COUPE WEATHERSTRIP

1997-2004 COUPE WEATHERSTRIP



BEST VALUE Weatherstrip Kits

1997-2004 COUPE WEATHERSTRIP KITS

Includes: Outer Door Seals (#2306), Hatch Body (#38339), Front Roof & Window (#38957), Lower Windshield (#39016), Roof Side Rails (#48021), Hood to Side Fender Seal (#51680), Rear Hood Seal (#51682), Door Mains (#51684), Rear Roof & Windows (#51685).

39021	97	Body Weatherstrip Kit - Coupe - 14 pc	\$1766 ⁹⁹
39022	98-04	Body Weatherstrip Kit - Coupe - 14 pc	\$1685 ⁹⁹

Coupe Weatherstrip - Reproduction

2306	97-04	Outer Door Seals - Coupe - 2 pc	\$89 ⁹⁹
51680	97-04	Hood Seal - Side to Fender	\$24 ⁹⁹
51682	97-04	Hood Seal - Rear	\$23 ⁹⁹
51681	97-04	Hood Seal - Rear Barrier	\$6 ⁹⁹
51685	97-04	Roof & Window Rear Weatherstrip	\$111 ⁹⁹
48021	97-04	Roof Side Rail Weatherstrip - pr	\$101 ⁹⁹
51684	97-04	Door Main Weatherstrip - Replacement - pr	\$213 ⁹⁹
39014	97-04	Door Main Weatherstrip LH - Reproduction - USA	\$129 ⁹⁹
39015	97-04	Door Main Weatherstrip RH - Reproduction - USA	\$129 ⁹⁹
2283	97-04	Rear Window Weatherstrip - USA	\$183 ⁹⁹



#39014 Door Weatherstrip - LH

#39015 Door Weatherstrip - RH

Coupe Weatherstrip - GM

51769	97-04	Front Side Inner Panel Seal	\$3 ⁹⁹
38339	97-04	Hatch Weatherstrip	\$223 ⁹⁹
38457	97-04	Hood Seal - Side to Fender - 2 req'd	\$128 ⁹⁹
38468	97-04	Hood Seal - Rear	\$61 ⁹⁹
37980	97-04	Hood Seal - Rear Barrier	\$57 ⁹⁹
39019	97-04	Outer Door Window Seal - LH - Coupe	\$91 ⁹⁹
38958	97-04	Roof & Window Front Weatherstrip Retainer - 4 req'd	\$5 ⁹⁹
38950	97-04	Roof & Window Rear Weatherstrip Retainer	\$3 ⁹⁹
39016	97-04	Windshield Lower Seal	\$40 ⁹⁹



#39019

1997-2004 Weatherstrip Door Outer Window Seal Coupe LH

1998-2004 SOFTTOP WEATHERSTRIP



#38652 1998-2004 Softtop Side Window Rear Weatherstrip - RH

#38651 1998-2004 Softtop Side Window Rear Weatherstrip - LH

Softtop Weatherstrip - Reproduction

38673	98-04	Softtop Side Window Center Weatherstrip - LH - USA	\$116 ⁹⁹
38674	98-04	Softtop Side Window Center Weatherstrip - RH - USA	\$116 ⁹⁹
38651	98-04	Convertible Top Side Rear Weatherstrip - LH - USA	\$115 ⁹⁹
38652	98-04	Convertible Top Side Rear Weatherstrip - RH - USA	\$115 ⁹⁹
40520	98-04	Convertible Top Side Front Weatherstrip - LH - USA	\$118 ⁹⁹
40521	98-04	Convertible Top Side Front Weatherstrip - RH - USA	\$118 ⁹⁹
52282	98-04	Convertible Top Rear Weatherstrip	\$191 ⁹⁹



#32914 Black Weatherstrip Adhesive



#22605 Weatherstrip Installation Tool Kit - 4 pc.

WEATHERSTRIP ADHESIVE & TOOLS

32914	Weatherstrip Adhesive - Black 5 oz	\$13 ⁹⁹
32915	Weatherstrip Adhesive - Yellow 5 oz	\$11 ⁹⁹
22605	Weatherstrip Installation Tool Kit - 4 pc	\$28 ⁹⁹

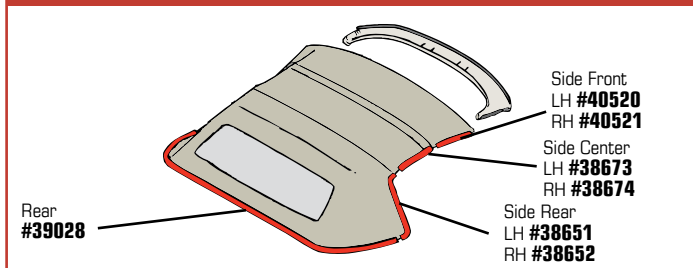


Softtop Weatherstrip - GM

- 39028** 98-04 Softtop Rear Weatherstrip\$288⁹⁹
- 38655** 98-04 Softtop Side Window Front Weatherstrip - LH\$236⁹⁹
- 38656** 98-04 Softtop Side Window Front Weatherstrip - RH\$236⁹⁹

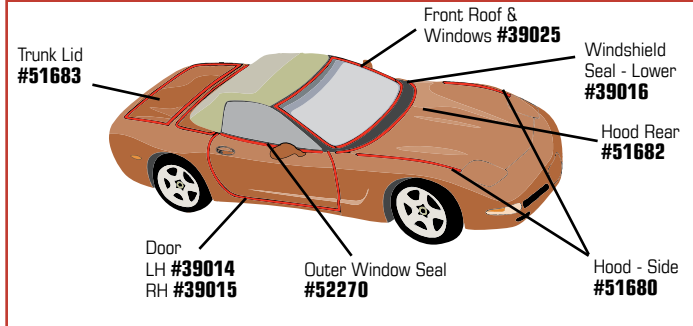


1998-2004 SOFTTOP WEATHERSTRIP



1998-2004 CONVERTIBLE BODY WEATHERSTRIP

1998-2004 CONVERTIBLE BODY WEATHERSTRIP



BEST VALUE Weatherstrip Kits

1998-2004 CONVERTIBLE BODY WEATHERSTRIP KIT

Contains (1) Lower Windshield Seal (#39016), (1) Roof & Window Front (#38957), (2) Trunk Lid Side Seals (#39027), (2) Side to Fender Hood Seals (#51680), (1) Rear Hood Seal (#51682), (1) Trunk Lid Seal (#51683), (2) Door Mains (#51684), (2) Door Seals (#52270).

- 39029** 98-04 Body Weatherstrip Kit - Conv - 12 pc\$1534⁹⁹

1998-2004 CONVERTIBLE TOP WEATHERSTRIP KIT

Contains (1) Conv. Top Side Center LH (#38673), (1) Conv. Top Side Center RH (#38674), (1) Conv. Top Side Rear LH (#38651), (1) Conv. Top Side Rear RH (#38652), (1) Conv. Top Side Front LH (#40520), (1) Conv. Top Side Front RH (#40521), (1) Conv. Top Rear (#52282).

- 52283** 98-04 Convertible Top Weatherstrip Kit - 7 pc - Repro\$822⁹⁹

Convertible Weatherstrip - GM

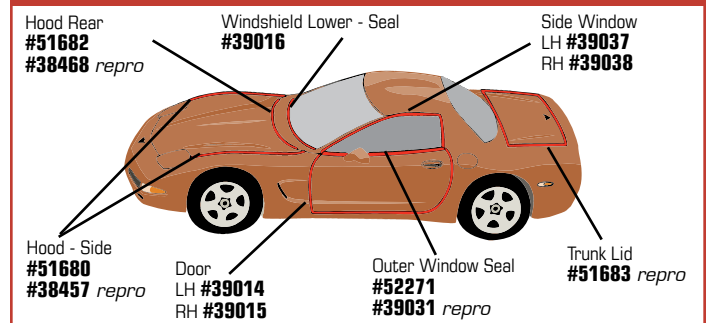
- 38468** 97-04 Hood Seal - Rear\$61⁹⁹
- 38457** 97-04 Hood Seal - Side to Fender - 2 req'd\$128⁹⁹
- 39023** 97-04 Outer Door Window Seal - LH\$138⁹⁹
- 39016** 97-04 Windshield Lower Seal\$40⁹⁹

Convertible Weatherstrip - Reproduction

- 52282** 97-04 Convertible Top Rear Weatherstrip - Reproduction\$191⁹⁹
- 51684** 97-04 Door Main Weatherstrips - pr - Replacement\$213⁹⁹
- 39014** 97-04 Door Main Weatherstrip LH - Reproduction - USA\$129⁹⁹
- 39015** 97-04 Door Main Weatherstrip RH - Reproduction - USA\$129⁹⁹
- 51680** 97-04 Hood Seal - Side to Fender\$24⁹⁹
- 51683** 97-04 Trunk Lid Weatherstrip\$50⁹⁹
- 52270** 97-04 Door Seals Outer 2pc Kit - Convertible\$89⁹⁹

1999-2004 HARDTOP / Z06 WEATHERSTRIP

1999-2004 HARDTOP / Z06 WEATHERSTRIP



BEST VALUE Weatherstrip Kits

1999-2004 HARDTOP / Z06 WEATHERSTRIP KIT

Contains (1) Lower Windshield Seal (#39016), (1) Door Outer Window Seal LH (#39031), (1) Side Window LH (#39037), (1) Side Window RH (#39038), (2) Side To Fender Hood Seals (#51680), (1) Rear Hood Seal (#51682), (1) Trunk Lid (#51683), (1) Door Main (#51684).

- 39039** 99-04 Body Weatherstrip Kit - Hardtop - 11 pc\$1733⁹⁹

Hardtop / Z06 Weatherstrip - GM

- 38457** 97-04 Hood Seal - Side to Fender - 2 req'd\$128⁹⁹
- 38468** 97-04 Hood Seal - Rear\$61⁹⁹
- 37980** 97-04 Hood Seal - Rear Barrier\$57⁹⁹
- 39031** 97-04 Outer Door Window Seal - LH\$128⁹⁹
- 39033** 97-04 Side Window Weatherstrip Retainer - Front & Upper - LH\$156⁹⁹
- 39034** 97-04 Side Window Weatherstrip Retainer - Front & Upper - RH\$153⁹⁹
- 39037** 99-04 Side Window Weatherstrip - Hardtop - LH\$497⁹⁹
- 39038** 99-04 Side Window Weatherstrip - Hardtop - RH\$397⁹⁹
- 38950** 97-04 Weatherstrip Retainer Clip - 2 req'd\$3⁹⁹
- 38958** 97-04 Weatherstrip Retainer - 4 req'd\$5⁹⁹
- 39016** 97-04 Windshield Lower Seal\$40⁹⁹

Hardtop / Z06 Weatherstrip - Reproduction

- 51684** 97-04 Door Main Weatherstrips - pr - Replacement\$213⁹⁹
- 39014** 97-04 Door Main Weatherstrip LH - Reproduction - USA\$129⁹⁹
- 39015** 97-04 Door Main Weatherstrip RH - Reproduction - USA\$129⁹⁹
- 51680** 97-04 Hood Seal - Side to Fender\$24⁹⁹
- 51682** 97-04 Hood Seal - Rear\$23⁹⁹
- 51681** 97-04 Hood Seal - Rear Barrier\$9⁹⁹
- 52271** 99-04 Door Seals Outer 2 pc Kit - Hardtop / Z06\$99⁹⁹
- 51683** 98-04 Trunk Lid\$50⁹⁹



WARNING: Cancer and Reproductive Harm - www.P65Warnings.ca.gov





WHEEL AND TIRE PACKAGES

Buying a wheel and tire package brings the convenience of the tire shop directly to your door. These kits come complete with four wheels, tires, and necessary hardware to go from your door-step to installed without ever leaving your driveway - all you need is a jack and lug wrench. You save time and money with mounted wheel and tire packages as labor to mount and balance is included in the kit price. All wheels are checked for trueness prior to mounting and the tires carry the full manufacturer warranty.

C5 Y2K



- 57173** 97-04 C5 Y2K Chrome/Michelin Pilot Sport A/S 4
Wheels - (2) 17x8.5 - 58 mm, (2) 18x9.5 - 65 mm
Tires - (2) 245/45/17, (2) 275/40/18.....**\$2208⁹⁹**
- 57174** 97-04 C5 Y2K Deep Dish Chrome/Michelin Pilot Sport A/S 4
Wheels - (2) 17x8.5 - 58 mm, (2) 18x9.5 - 65 mm
Tires - (2) 255/40/17, (2) 285/30/18.....**\$2112⁹⁹**
- 57175** 97-04 C5 Y2K Deep Dish Black Machined Face/
Michelin Pilot Sport A/S 4
Wheels - (2) 17x9.5 - 54 mm, (2) 18x10.5 - 65 mm
Tires - (2) 255/40/17, (2) 285/35/18.....**\$1862⁹⁹**
- 57176** 97-04 C5 Y2K Deep Dish Gloss Black Machined Face/
Michelin Pilot Sport A/S 4
Wheels - (2) 17x9.5 - 54 mm, (2) 18x10.5 - 65 mm
Tires - (2) 255/40/17, (2) 285/35/18.....**\$1882⁹⁹**

C5 Z06



- 57177** 97-04 C5 Z06 Chrome/Michelin Pilot Sport A/S 4
Wheels - (2) 17x9.5 - 54 mm, (2) 18x10.5 - 65 mm
Tires - (2) 255/40/17, (2) 285/35/18.....**\$2122⁹⁹**
- 57178** 97-04 C5 Z06 Black w/ Machined Lip
Michelin Pilot Sport A/S 4
Wheels - (2) 17x9.5 - 54 mm, (2) 18x10.5 - 65 mm
Tires - (2) 255/40/17, (2) 285/35/18.....**\$1932⁹⁹**

C6 BASE



- 57179** 97-04 C6 Chrome w/ Machined Lip/Michelin Pilot Sport A/S 4
Wheels - (2) 17x8.5 - 56 mm, (2) 18x9.5 - 58 mm
Tires - (2) 245/45/17, (2) 275/40/18.....**\$2158⁹⁹**
- 57180** 97-04 C6 Gloss Black/Michelin Pilot Sport A/S 4
Wheels - (2) 17x8.5 - 56 mm, (2) 18x9.5 - 58 mm
Tires - (2) 245/45/17, (2) 275/40/18.....**\$2118⁹⁹**

C6 Z06



- 57181** 97-04 C6 Z06 Chrome/Michelin Pilot Sport A/S 4
Wheels - (2) 17x9.5 - 54 mm, (2) 18x10.5 - 65 mm
Tires - (2) 255/40/17, (2) 285/35/18.....**\$2132⁹⁹**
- 57182** 97-04 C6 Z06 Gloss Black/Michelin Pilot Sport A/S 4
Wheels - (2) 17x9.5 - 54 mm, (2) 18x10.5 - 65 mm
Tires - (2) 255/40/17, (2) 285/35/18.....**\$1982⁹⁹**
- 57183** 97-04 C6 Z06 Gloss Black with Red Stripe
Michelin Pilot Sport A/S 4
Wheels - (2) 17x9.5 - 54 mm, (2) 18x10.5 - 65 mm
Tires - (2) 255/40/17, (2) 285/35/18.....**\$2002⁹⁹**
- 57184** 97-04 C6 Z06 Black w/ Machined Face/Michelin Pilot Sport A/S 4
Wheels - (2) 17x9.5 - 54 mm, (2) 18x10.5 - 65 mm
Tires - (2) 255/40/17, (2) 285/35/18.....**\$1942⁹⁹**



C6 ZR1



- 57185** 97-04 C6 ZR1 Chrome/Michelin Pilot Sport A/S 4
Wheels - (2) 17x9.5 - 54 mm, (2) 18x10.5 - 65 mm
Tires - (2) 255/40/17, (2) 285/35/18..... **\$2142⁹⁹**
- 57186** 97-04 C6 ZR1 Gloss Black with Red Stripe
Michelin Pilot Sport A/S 4
Wheels - (2) 17x9.5 - 54 mm, (2) 18x10.5 - 65 mm
Tires - (2) 255/40/17, (2) 285/35/18..... **\$1982⁹⁹**
- 57187** 97-04 C6 ZR1 Satin Black/Michelin Pilot Sport A/S 4
Wheels - (2) 17x9.5 - 54 mm, (2) 18x10.5 - 65 mm
Tires - (2) 255/40/17, (2) 285/35/18..... **\$1962⁹⁹**



1997-2004
Corvette **PARTS**

C7 Z06



- 57188** 97-04 C7 Z06 Gunmetal/Michelin Pilot Sport A/S 4
Wheels - (2) 17x9.5 - 54 mm, (2) 18x10.5 - 65 mm
Tires - (2) 255/40/17, (2) 285/35/18..... **\$1982⁹⁹**
- 57189** 97-04 C7 Z06 Satin Black
Michelin Pilot Sport A/S 4
Wheels - (2) 17x9.5 - 54 mm, (2) 18x10.5 - 65 mm
Tires - (2) 255/40/17, (2) 285/35/18..... **\$1942⁹⁹**
- 57190** 97-04 C7 Z06 Chrome/Michelin Pilot Sport A/S 4
Wheels - (2) 17x9.5 - 54 mm, (2) 18x10.5 - 65 mm
Tires - (2) 255/40/17, (2) 285/35/18..... **\$2152⁹⁹**



1997-2004
Corvette **INTERIORS**

C7 Z51



- 57191** 97-04 C7 Z51 Chrome/Michelin Pilot Sport A/S 4
Wheels - (2) 17x9.5 - 54 mm, (2) 18x10.5 - 65 mm
Tires - (2) 255/40/17, (2) 285/35/18..... **\$2251⁹⁹**
- 57192** 97-04 C7 Z51 Satin Black/ Michelin Pilot Sport A/S 4
Wheels - (2) 17x9.5 - 54 mm, (2) 18x10.5 - 65 mm
Tires - (2) 255/40/17, (2) 285/35/18..... **\$1932⁹⁹**
- 57193** 97-04 C7 Z51 Satin Black with Machined Face
Michelin Pilot Sport A/S 4
Wheels - (2) 17x9.5 - 54 mm, (2) 18x10.5 - 65 mm
Tires - (2) 255/40/17, (2) 285/35/18..... **\$1902⁹⁹**
- 57194** 97-04 C7 Z51 Satin Black with Machined Face & Red Stripe
Michelin Pilot Sport A/S 4
Wheels - (2) 17x9.5 - 54 mm, (2) 18x10.5 - 65 mm
Tires - (2) 255/40/17, (2) 285/35/18..... **\$1982⁹⁹**



1997-2004
Corvette **WHEELS**



1997-2004
Corvette **ACCESSORIES**



Call or go online today to see a complete product line and to place your order!



WARNING: Cancer and Reproductive Harm -
www.P65Warnings.ca.gov

(833) 4TopFlight | TopFlightAutomotive.com





ASTORIA High Gloss Gunmetal



EAGLE Gloss Black with Mirror Cut Lip

ASTORIA WHEELS BY CRAY

The all original Astoria aftermarket alloy wheel is made exclusively to fit Corvettes. A motorsport inspired pattern formed of multiple spokes are dissected into five sections to give the Astoria an explosion of distinctive taste and personality. With no other wheel like it on the market the Astoria brings a fresh look to the table while maintaining a classic feel much like the reinvention of the Corvette in the C7 series. Constructed from advanced rotary forged technology, the Astoria is made for lightweight rotational mass & sturdy structural integrity. The Astoria rotary forged wheel is manufactured using a highly advanced production technique called rotary forging. The rim of the wheel is forged at high pressure while the wheel is spun at high speed. This alters the molecular structure and enhances the strength of the alloy. The benefit is a much lighter weight than a regular cast wheel. Most importantly, the weight savings is in the outer rim of the wheel which dramatically reduces rotational mass and enhances vehicle performance. Wheel bolt pattern: 5-120.65.



HIGH GLOSS GUNMETAL

- 54245** 97-04 Astoria High Gloss Gunmetal Wheel Set -
2 Front Wheels - Size: 18x9, Offset: 50
2 Rear Wheels - Size: 19x9, Offset: 50 **\$1944⁹⁹**
- 54246** 97-04 Astoria High Gloss Gunmetal Wheel Set -
2 Front Wheels - Size: 19x9, Offset: 50
2 Rear Wheels - Size: 20x10.5, Offset: 65 **\$2129⁹⁹**

MATTE BLACK

- 54247** 97-04 Astoria Matte Black Wheel Set -
2 Front Wheels - Size: 18x9, Offset: 50
2 Rear Wheels - Size: 19x9, Offset: 50 **\$1944⁹⁹**
- 54248** 97-04 Astoria Matte Black Wheel Set -
2 Front Wheels - Size: 19x9, Offset: 50
2 Rear Wheels - Size: 20x10.5, Offset: 65 **\$2129⁹⁹**

GLOSS BLACK

- 54249** 97-04 Astoria Gloss Black w/ Mirror Cut Face Wheel Set -
2 Front Wheels - Size: 18x9, Offset: 50
2 Rear Wheels - Size: 19x9, Offset: 50 **\$1944⁹⁹**
- 54292** 97-04 Astoria Gloss Black w/ Mirror Cut Face Wheel Set -
2 Front Wheels - Size: 19x9, Offset: 50
2 Rear Wheels - Size: 20x10.5, Offset: 65 **\$2129⁹⁹**

EAGLE WHEELS BY CRAY

A classic deep dish mesh wheel design has always looked incredible on a Corvette. However, there has yet to be an available deep lip design available for the C7. The Cray Eagle aftermarket alloy rim revitalizes the deep lip mesh look for the 21st century fitting all generations of Corvette including C4, C5, C6 Grand Sport, C6 Z06, C7 Stingray & Z51. Sizes for Eagle range from 18x9 up to 20x12.5 with lip sizes ranging from 1.5" to 2.6" depending on front or rear sizes. Wheel bolt pattern: 5-120.65.



GLOSS BLACK

- 54250** 97-04 Eagle Gloss Black w/ Mirror Cut Lip Wheel Set -
2 Front Wheels - Size: 18x9, Offset: 50
2 Rear Wheels - Size: 19x10.5, Offset: 69 **\$1416⁹⁹**
- 54251** 97-04 Eagle Gloss Black w/ Mirror Cut Lip Wheel Set -
2 Front Wheels - Size: 19x9, Offset: 50
2 Rear Wheels - Size: 20x10.5, Offset: 69 **\$1601⁹⁹**

MATTE BLACK

- 54252** 97-04 Eagle Matte Black Wheel Set -
2 Front Wheels - Size: 18x9, Offset: 50
2 Rear Wheels - Size: 19x10.5, Offset: 69 **\$1416⁹⁹**
- 54253** 97-04 Eagle Matte Black Wheel Set -
2 Front Wheels - Size: 19x9, Offset: 50
2 Rear Wheels - Size: 20x10.5, Offset: 69 **\$1601⁹⁹**

SILVER W/ MIRROR CUT FACE

- 54254** 97-04 Eagle Silver w/ Mirror Cut Face & Lip Wheel Set -
2 Front Wheels - Size: 18x9, Offset: 50
2 Rear Wheels - Size: 19x10.5, Offset: 69 **\$1416⁹⁹**
- 54255** 97-04 Eagle Silver w/ Mirror Cut Face & Lip Wheel Set -
2 Front Wheels - Size: 19x9, Offset: 50
2 Rear Wheels - Size: 20x10.5, Offset: 69 **\$1601⁹⁹**

Individual CRAY Wheels available online!





MAKO SilverFace Mirror Cut



MANTA Chrome

MAKO WHEELS BY CRAY

The Mako Shark is the fastest of its species and is most notably recognized by its sharp snout much like its vehicular counterpart in the Corvette series. Suitably named, the Cray Mako aftermarket alloy wheel features a daggering multispoke design latching onto one of the fastest road vehicles. Taking a bite into the details are deadly sharp chamfers along the inner lip shaving off unnecessary weight and adding aesthetic refinement. Mako is made from advanced rotary forged technology creating a lighter weight wheel for reduced rotational mass. The Mako rotary forged wheel is manufactured using a highly advanced production technique called rotary forging. The rim of the wheel is forged at high pressure while the wheel is spun at high speed. This alters the molecular structure and enhances the strength of the alloy. The benefit is a much lighter weight than a regular cast wheel. Most importantly, the weight savings is in the outer rim of the wheel which dramatically reduces rotational mass and enhances vehicle performance. Wheel bolt pattern: 5-120.65.



SILVER W/ MIRROR CUT FACE

- 54256** 97-04 Mako Silver w/ Mirror Cut Face Wheel Set -
2 Front Wheels - Size: 18x9, Offset: 50
2 Rear Wheels - Size: 19x10.5, Offset: 65 **\$1944⁹⁹**
- 54257** 97-04 Mako Silver w/ Mirror Cut Face Wheel Set -
2 Front Wheels - Size: 19x9, Offset: 50
2 Rear Wheels - Size: 20x10.5, Offset: 65 **\$2129⁹⁹**

GLOSS BLACK

- 54258** 97-04 Mako Gloss Black Wheel Set -
2 Front Wheels - Size: 18x9, Offset: 50
2 Rear Wheels - Size: 19x10.5, Offset: 65 **\$1944⁹⁹**
- 54259** 97-04 Mako Gloss Black Wheel Set -
2 Front Wheels - Size: 19x9, Offset: 50
2 Rear Wheels - Size: 20x10.5, Offset: 65 **\$2129⁹⁹**



MANTA WHEELS BY CRAY

Manta Cray Custom Corvette Wheels are offered in three different finishes: Chrome, Gloss Black with a Mirror Cut Lip and Hyper Silver Wheels with a Mirror Cut Lip. These custom Corvette wheels are exclusively designed for the C4, C5, C6, and C6 Z06. Cray offers this style in 17 inch through 20 inch. Select the perfect high performance staggered wheel for your Corvette. Wheel bolt pattern: 5-120.65.



HYPER SILVER W/ MIRROR CUT LIP

- 54260** 97-04 Manta Hyper Silver w/ Mirror Cut Lip Wheel Set -
2 Front Wheels - Size: 17x9, Offset: 50
2 Rear Wheels - Size: 18x10.5, Offset: 65 **\$1232⁹⁹**
- 54263** 97-04 Manta Hyper Silver w/ Mirror Cut Lip Wheel Set -
2 Front Wheels - Size: 18x9, Offset: 50
2 Rear Wheels - Size: 19x10.5, Offset: 65 **\$1416⁹⁹**
- 54266** 97-04 Manta Hyper Silver w/ Mirror Cut Lip Wheel Set -
2 Front Wheels - Size: 19x9, Offset: 50
2 Rear Wheels - Size: 20x10.5, Offset: 65 **\$1601⁹⁹**
- 54269** 97-04 Manta Hyper Silver w/ Mirror Cut Lip Wheel Set -
2 Front Wheels - Size: 20x9, Offset: 50
2 Rear Wheels - Size: 20x10.5, Offset: 65 **\$1689⁹⁹**

GLOSS BLACK W/ MIRROR CUT LIP

- 54261** 97-04 Manta Gloss Black w/ Mirror Cut Lip Wheel Set -
2 Front Wheels - Size: 17x9, Offset: 50
2 Rear Wheels - Size: 18x10.5, Offset: 65 **\$1232⁹⁹**
- 54264** 97-04 Manta Gloss Black w/ Mirror Cut Lip Wheel Set -
2 Front Wheels - Size: 18x9, Offset: 50
2 Rear Wheels - Size: 19x10.5, Offset: 65 **\$1416⁹⁹**
- 54267** 97-04 Manta Gloss Black w/ Mirror Cut Lip Wheel Set -
2 Front Wheels - Size: 19x9, Offset: 50
2 Rear Wheels - Size: 20x10.5, Offset: 65 **\$1601⁹⁹**

CHROME

- 54262** 97-04 Manta Chrome Wheel Set -
2 Front Wheels - Size: 17x9, Offset: 50
2 Rear Wheels - Size: 18x10.5, Offset: 65 **\$1936⁹⁹**
- 54265** 97-04 Manta Chrome Wheel Set -
2 Front Wheels - Size: 18x9, Offset: 50
2 Rear Wheels - Size: 19x10.5, Offset: 65 **\$2120⁹⁹**
- 54268** 97-04 Manta Chrome Wheel Set -
2 Front Wheels - Size: 19x9, Offset: 50
2 Rear Wheels - Size: 20x10.5, Offset: 65 **\$2305⁹⁹**



WARNING: Cancer and Reproductive Harm -
www.P65Warnings.ca.gov

(833) 4TopFlight | TopFlightAutomotive.com





SCORPION Chrome



SPIDER Matte Black



SCORPION WHEELS BY CRAY

Scorpion Cray Corvette Wheels are offered in three different types of finishes: Chrome, Gloss Black with a Mirror Cut Lip and Hyper Silver with a Mirror Cut Lip. These aftermarket Corvette wheels are exclusively designed for the C4, C5, C6 and Z06. Cray offers this style in 17 inch through 20 inch. Select the perfect high performance custom wheel for your Corvette. Wheel bolt pattern: 5-120.65.



HYPER SILVER W/ MIRROR CUT LIP

- 54270** 97-04 Scorpion Hyper Silver w/ Mirror Cut Lip Wheel Set - 2 Front Wheels - Size: 17x9, Offset: 50
2 Rear Wheels - Size: 18x10.5, Offset: 65 **\$1232⁹⁹**
- 54273** 97-04 Scorpion Hyper Silver w/ Mirror Cut Lip Wheel Set - 2 Front Wheels - Size: 18x9, Offset: 50
2 Rear Wheels - Size: 19x10.5, Offset: 65 **\$1416⁹⁹**
- 54276** 97-04 Scorpion Hyper Silver w/ Mirror Cut Lip Wheel Set - 2 Front Wheels - Size: 19x9, Offset: 50
2 Rear Wheels - Size: 20x10.5, Offset: 65 **\$1601⁹⁹**
- 54279** 97-04 Scorpion Hyper Silver w/ Mirror Cut Lip Wheel Set - 2 Front Wheels - Size: 20x9, Offset: 50
2 Rear Wheels - Size: 20x10.5, Offset: 65 **\$1689⁹⁹**

GLOSS BLACK W/ MIRROR CUT LIP

- 54271** 97-04 Scorpion Gloss Black w/ Mirror Cut Lip Wheel Set - 2 Front Wheels - Size: 17x9, Offset: 50
2 Rear Wheels - Size: 18x10.5, Offset: 65 **\$1232⁹⁹**
- 54274** 97-04 Scorpion Gloss Black w/ Mirror Cut Lip Wheel Set - 2 Front Wheels - Size: 18x9, Offset: 50
2 Rear Wheels - Size: 19x10.5, Offset: 65 **\$1416⁹⁹**
- 54277** 97-04 Scorpion Gloss Black w/ Mirror Cut Lip Wheel Set - 2 Front Wheels - Size: 19x9, Offset: 50
2 Rear Wheels - Size: 20x10.5, Offset: 65 **\$1601⁹⁹**

CHROME

- 54272** 97-04 Scorpion Chrome Wheel Set - 2 Front Wheels - Size: 17x9, Offset: 50
2 Rear Wheels - Size: 18x10.5, Offset: 65 **\$1936⁹⁹**
- 54275** 97-04 Scorpion Chrome Wheel Set - 2 Front Wheels - Size: 18x9, Offset: 50
2 Rear Wheels - Size: 19x10.5, Offset: 65 **\$2120⁹⁹**
- 54278** 97-04 Scorpion Chrome Wheel Set - 2 Front Wheels - Size: 19x9, Offset: 50
2 Rear Wheels - Size: 20x10.5, Offset: 65 **\$2305⁹⁹**

SPIDER WHEELS BY CRAY

A black widow may have eight legs, but Cray's new Spider Corvette wheels have ten, eerily articulated from the deeply recessed hub to the very edge of the lip. Rather than hide the formidable Corvette brake rotor and caliper assembly, this open, "see through" design frames it. It is a design made possible by our highly advanced manufacturing technology known as rotary forging. Rotary forging is a process that significantly strengthens the aluminum alloy, permitting Spider's graceful, arachnid spokes. Rotary forging also produces a markedly lighter wheel than conventional processes and weight is always the enemy of performance. Eighteen to 20 inch variations of Cray Spider Corvette rims ensure compatibility with C4, C5, C6 Grand Sport, Z06, C7 Stingray & Z51 'Vettes. Argue with yourself over the Matte Black Finish, Silver with a Mirror Cut Face or Gloss Black with a Mirror Cut Face. The rim of the wheel is forged at high pressure while the wheel is spun at high speed. This alters the molecular structure and enhances the strength of the alloy. The benefit is a much lighter weight than a regular cast wheel. Most importantly, the weight savings is in the outer rim of the wheel which dramatically reduces rotational mass and enhances vehicle performance. Wheel bolt pattern: 5-120.65.



SILVER W/ MIRROR CUT FACE

- 54280** 97-04 Spider Silver w/ Mirror Cut Face Wheel Set - 2 Front Wheels - Size: 18x9, Offset: 50
2 Rear Wheels - Size: 19x10.5, Offset: 65 **\$1944⁹⁹**
- 54283** 97-04 Spider Silver w/ Mirror Cut Face Wheel Set - 2 Front Wheels - Size: 19x9, Offset: 50
2 Rear Wheels - Size: 20x10.5, Offset: 65 **\$2129⁹⁹**

GLOSS BLACK W/ MIRROR CUT FACE

- 54284** 97-04 Spider Gloss Black w/ Mirror Cut Face Wheel Set - 2 Front Wheels - Size: 19x9, Offset: 50
2 Rear Wheels - Size: 20x10.5, Offset: 65 **\$2129⁹⁹**
- 54281** 97-04 Spider Gloss Black w/ Mirror Cut Face Wheel Set - 2 Front Wheels - Size: 18x9, Offset: 50
2 Rear Wheels - Size: 19x10.5, Offset: 65 **\$1944⁹⁹**

MATTE BLACK

- 54282** 97-04 Spider Matte Black Wheel Set - 2 Front Wheels - Size: 18x9, Offset: 50
2 Rear Wheels - Size: 19x10.5, Offset: 65 **\$1944⁹⁹**
- 54285** 97-04 Spider Matte Black Wheel Set - 2 Front Wheels - Size: 19x9, Offset: 50
2 Rear Wheels - Size: 20x10.5, Offset: 65 **\$2129⁹⁹**





Falcon Full Polish



ISURUS Matte Black



FALCON WHEELS BY CRAY

Cray Wheels introduces the fully forged monoblock Falcon Wheels for the Corvette. The Cray Falcon Forged Corvette Wheel is designed & engineered specifically in 19 inch & 20 inch fitments with individual widths and wheel offset configurations for the Corvette, Stingray, Grand Sport, Z06 and ZR1. All Cray Corvette Forged Monoblock Wheels are manufactured using a lightweight 6061 aluminum alloy to reduce wheel weight while increasing the overall performance of your Corvette. Forged Corvette wheels also benefit from the increased strength needed to handle performance cars putting down 750+ Horsepower from the factory. Since Cray Corvette Forged Wheels are engineered exclusively to fit the Corvette, wheels are available without the long production times associated with custom forged wheels. All Cray Wheels are engineered exclusively to fit the Corvette and are compatible with factory wheel lugs and Tpms sensors. Wheel bolt pattern: 5-120.65.



- 54286** 97-04 Falcon Matte Black Wheel Set -
2 Front Wheels - Size: 19x9, Offset: 50
2 Rear Wheels - Size: 20x10.5, Offset: 65 **\$3440⁹⁹**
- 54287** 97-04 Falcon Polished Wheel Set -
2 Front Wheels - Size: 19x9, Offset: 50
2 Rear Wheels - Size: 20x10.5, Offset: 65 **\$3760⁹⁹**

ISURUS WHEELS BY CRAY

Cray Wheels introduces the fully forged monoblock Isurus Wheels for the Corvette. The Cray Isurus forged Corvette wheel is designed and engineered specifically in 19 inch and 20 inch fitments with individual widths and wheel offset configurations for the Corvette, Stingray, Grand Sport, Z06 and ZR1. All Cray Corvette Forged Monoblock Wheels are manufactured using a lightweight 6061 aluminum alloy to reduce wheel weight while increasing the overall performance of your Corvette. Forged Corvette wheels also benefit from the increased strength needed to handle performance cars putting down 750+ Horsepower from the factory. Since Cray Corvette Forged Wheels are engineered exclusively to fit the Corvette, wheels are available without the long production times associated with custom forged wheels. All Cray Wheels are engineered exclusively to fit the Corvette & are compatible with factory wheel lugs and Tpms sensors. Wheel bolt pattern: 5-120.65.



- 54288** 97-04 Isurus Matte Black Wheel Set -
2 Front Wheels - Size: 19x9, Offset: 50
2 Rear Wheels - Size: 20x10.5, Offset: 65 **\$3440⁹⁹**
- 54289** 97-04 Isurus Brushed Gunmetal Wheel Set -
2 Front Wheels - Size: 19x9, Offset: 50
2 Rear Wheels - Size: 20x10.5, Offset: 65 **\$3760⁹⁹**

VENOM WHEELS BY CRAY

Cray Wheels introduces the fully forged monoblock Venom Wheels for the Corvette. The Cray Venom Forged Corvette Wheel is designed and engineered specifically in 19 inch and 20 inch fitments with individual widths and wheel offset configurations for the Corvette, Stingray, Grand Sport, Z06 and ZR1. All Cray Corvette Forged Monoblock Wheels are manufactured using a lightweight 6061 aluminum alloy to reduce wheel weight while increasing the overall performance of your Corvette. Forged Corvette wheels also benefit from the increased strength needed to handle performance cars putting down 750+ Horsepower from the factory. Since Cray Corvette Forged Wheels are engineered exclusively to fit the Corvette, wheels are available without the long production times associated with custom forged wheels. All Cray Wheels are engineered exclusively to fit the Corvette and are compatible with factory wheel lugs and Tpms sensors. Wheel bolt pattern: 5-120.65.



- 54290** 97-04 Venom Matte Black Wheel Set -
2 Front Wheels - Size: 19x9, Offset: 50
2 Rear Wheels - Size: 20x10.5, Offset: 65 **\$3440⁹⁹**
- 54291** 97-04 Venom Brushed Gunmetal Wheel Set -
2 Front Wheels - Size: 19x9, Offset: 50
2 Rear Wheels - Size: 20x10.5, Offset: 65 **\$3760⁹⁹**



VENOM Brushed Gunmetal



WARNING: Cancer and Reproductive Harm - www.P65Warnings.ca.gov

(833) 4TopFlight | TopFlightAutomotive.com





C5 CHROME



C5 BLACK / MACHINED FACE



GLOSS BLACK/MACHINED LIP



GLOSS BLACK/RIVETS

C5 STYLE Y2K CHROME WHEELS FOR 97-04 CORVETTES

- 53514** 97-04 C5 Style Y2K Wheel Set - Chrome - Staggered - 4 pc
(2) 17x8.5 - 58 mm, (2) 18x9.5 - 65 mm (no Z06)..... **\$899⁹⁹**
- 53515** 97-04 C5 Style Y2K Wide Wheel Set - Chrome - Staggered
4 pc - (2) 17x9.5 - 54 mm, (2) 18x10.5 - 56 mm**\$929⁹⁹**
- 53404** 97-04 C5 Style Y2K Wheel - Chrome - 17x8.5 - 58 mm.....**\$234⁹⁹**
- 53443** 97-04 C5 Style Y2K Wheel - Chrome - 18x9.5 - 65 mm**\$262⁹⁹**
- 53416** 97-04 C5 Style Y2K Deep Dish Wheel - Chrome -
17x9.5 - 54 mm**\$212⁹⁹**
- 53430** 97-04 C5 Style Y2K Deep Dish Wheel - Chrome -
18x10.5 - 56 mm.....**\$281⁹⁹**



C5 Z06 CHROME



GLOSS BLACK/MACHINED LIP



C5 Z06 STYLE WHEELS FOR 97-04 CORVETTES

- 53518** 97-04 C5 Z06 Style Wheel Set - Chrome - 4 pc
(2) 17x9.5 - 54 mm, (2) 18x10.5 - 56 mm.....**\$939⁹⁹**
- 53519** 97-04 C5 Z06 Style Wheel Set - Gls Black w/ Machined Lip
4 pc - (2) 17x9.5 - 54 mm, (2) 18x10.5 - 56 mm**\$749⁹⁹**
- 53409** 97-04 C5 Z06 Wheel - Chrome - 17x9.5 - 54 mm.....**\$237⁹⁹**
- 53427** 97-04 C5 Z06 Wheel - Chrome - 18x10.5 - 56 mm**\$268⁹⁹**
- 53408** 97-04 C5 Z06 Wheel - Gloss Black w/ Machined Lip -
17x9.5 - 54 mm**\$173⁹⁹**
- 53426** 97-04 C5 Z06 Wheel - Gloss Black w/ Machined Lip -
18x10.5 - 56 mm.....**\$199⁹⁹**

C5 STYLE DEEP DISH WHEELS FOR 97-04 CORVETTES

- 53516** 97-04 C5 Deep Dish Wheel Set - Blk. w/ Machined Face - 4 pc
(2) 17x9.5 - 54 mm, (2) 18x10.5 - 56 mm.....**\$717⁹⁹**
- 53517** 97-04 C5 Deep Dish Wheel Set - Gls Blk /Machined Lip - 4 pc
(2) 17x9.5 - 54 mm, (2) 18x10.5 - 56 mm**\$740⁹⁹**
- 53423** 97-04 C5 Deep Dish Wheel - Chrome - 17x9.5.....**\$260⁹⁹**
- 53453** 97-04 C5 Deep Dish Wheel - Chrome - 18x9.5.....**\$252⁹⁹**
- 53419** 97-04 C5 Deep Dish Wheel - Black w/ Machined Face
17x9.5 - 54 mm**\$156⁹⁹**
- 53433** 97-04 C5 Deep Dish Wheel - Black w/ Machined Face
18x10.5 - 56 mm.....**\$185⁹⁹**
- 53415** 97-04 C5 Deep Dish Wheel - Black w/ Machined Face
17x9.5 - 54 mm**\$173⁹⁹**
- 53454** 97-04 C5 Deep Dish Wheel - Gloss Black w/ Machined Lip
18x9.5**\$185⁹⁹**
- 53429** 97-04 C5 Deep Dish Wheel - Gloss Black w/ Machined Lip
18x10.5 - 56 mm.....**\$198⁹⁹**
- 53434** 97-04 C5 Style Wheel - Gloss Black Face w/ Rivets,
w/ Stainless Lip - 18x10.5 - 56 mm.....**\$212⁹⁹**
- 53450** 97-04 C5 Style Wheel - Gloss Black Face w/ Rivets,
w/ Stainless Lip - 18x9.5 - 65 mm.....**\$200⁹⁹**





C6 5-SPOKE CHROME



C6 Z06 SPLIT 5-SPOKE CHROME



C6 Z06 SPLIT 5-SPOKE GL. BLACK



C6 ZR1 STYLE CHROME



C6 5-SPOKE GLOSS BLACK



GLOSS BLACK W/ RED STRIPE



MACHINED FACE/BL. POCKET



C6 ZR1 STYLE SATIN BLACK

C6 5-SPOKE STYLE WHEELS FOR 97-04 CORVETTES

- 53520** 97-04 C6 5 Spoke Wheel Set - Chrome Retrofit
(2) 17x8.5 - 56 mm, (2) 18x9.5 - 58 mm (no Z06)..... **\$869⁹⁹**
- 53522** 97-04 C6 5 Spoke Wheel Set - Gloss Black Retrofit
(2) 17x8.5 - 56 mm, (2) 18x9.5 - 58 mm (no Z06)..... **\$747⁹⁹**
- 53405** 97-04 C6 Wheel - Chrome - 17x8.5 - 56 mm..... **\$224⁹⁹**
- 53407** 97-04 C6 Wheel - Chrome - 17x9.5 - 54 mm..... **\$224⁹⁹**
- 53447** 97-04 C6 Wheel - Chrome - 18x9.5 - 58 mm..... **\$224⁹⁹**
- 53406** 97-04 C6 Wheel - Gloss Black - 17x8.5 - 56 mm..... **\$177⁹⁹**
- 53420** 97-04 C6 Wheel - Gloss Black - 17x9.5 - 54 mm **\$177⁹⁹**
- 53451** 97-04 C6 Wheel - Gloss Black - 18x9.5 - 58 mm **\$198⁹⁹**

C6 Z06 STYLE WHEELS FOR 97-04 CORVETTES

- 53523** 97-04 C6 Z06 Split 5 Spoke Wheel Set - Chrome -
(2) 17x9.5 - 54 mm, (2) 18x10.5 - 56 mm..... **\$1094⁹⁶**
- 53524** 97-04 C6 Z06 Split 5-Spoke Wheel Set - Gloss Black
(2) 17x9.5 - 54 mm, (2) 18x10.5 - 56 mm..... **\$909⁹⁹**
- 53526** 97-04 C6 Z06 Split 5-Spoke Wheel Set - Gloss Black w/ Red
Stripe (2) 17x9.5 - 54 mm, (2) 18x10.5 - 56 mm..... **\$989⁹⁹**
- 53528** 97-04 C6 Z06 Split 5-Spoke Wheel Set -
Machined Face w/ Black Pocket
(2) 17x9.5 - 54 mm, (2) 18x10.5 - 56 mm..... **\$740⁹⁹**
- 53410** 97-04 C6 Z06 Wheel - Chrome - 17x9.5 - 54 mm..... **\$237⁹⁹**
- 53444** 97-04 C6 Z06 Wheel - Chrome - 18x9.5 - 58 mm..... **\$249⁹⁹**
- 53428** 97-04 C6 Z06 Wheel - Chrome - 18x10.5 - 56 mm..... **\$254⁹⁹**
- 53417** 97-04 C6 Z06 Wheel - Black - 17x9.5 - 54 mm **\$187⁹⁹**
- 53445** 97-04 C6 Z06 Wheel - Black - 18x9.5 - 58 mm **\$214⁹⁹**
- 53431** 97-04 C6 Z06 Wheel - Black - 18x10.5 - 56 mm..... **\$229⁹⁹**
- 53421** 97-04 C6 Z06 Wheel - Black w/ Red Stripe
17x9.5 - 54 mm **\$191⁹⁹**
- 53452** 97-04 C6 Z06 Wheel - Gloss Black w/ Red Stripe
18x9.5 - 58 mm **\$225⁹⁹**
- 53435** 97-04 C6 Z06 Wheel - Gloss Black w/ Red Stripe
18x10.5 - 56 mm..... **\$224⁹⁹**

- 53418** 97-04 C6 Z06 Wheel - Black w/ Machined Face
17x9.5 - 54 mm **\$197⁹⁹**
- 53446** 97-04 C6 Z06 Wheel - Black w/ Machined Face
18x9.5 - 58 mm **\$196⁹⁹**
- 53432** 97-04 C6 Z06 Wheel - Black w/ Machined Face
18x10.5 - 56 mm..... **\$209⁹⁹**

C6 ZR1 STYLE WHEELS FOR 97-04 CORVETTES

- 53529** 97-04 C6 ZR1 Wheel Set
(2) 17x9.5 - 54 mm, (2) 18x10.5 - 56 mm..... **\$1003⁹⁹**
- 53531** 97-04 C6 ZR1 Wheel Set - Gloss Black w/ Red Stripe
(2) 17x9.5 - 54 mm, (2) 18x10.5 - 56 mm..... **\$799⁹⁹**
- 53533** 97-04 C6 ZR1 Wheel Set - Satin Black
(2) 17x9.5 - 54 mm, (2) 18x10.5 - 56 mm..... **\$807⁹⁹**
- 53476** 97-04 C6 ZR1 Wheel - Chrome - 17x9.5 - 54 mm..... **\$249⁹⁹**
- 53400** 97-04 C6 ZR1 Wheel - Chrome - 17x11 - 57mm..... **\$271⁹⁹**
- 53441** 97-04 C6 ZR1 Wheel - Chrome - 18x8.5 - 58 mm..... **\$274⁹⁹**
- 53485** 97-04 C6 ZR1 Wheel - Chrome - 18x10.5 - 56 mm..... **\$274⁹⁹**
- 53475** 97-04 C6 ZR1 Wheel - Gloss Black w/ Red Stripe
17x9.5 - 54 mm **\$199⁹⁹**
- 53440** 97-04 C6 ZR1 Wheel - Gloss Black w/ Red Stripe
18x8.5 - 58 mm **\$219⁹⁹**
- 53484** 97-04 C6 ZR1 Wheel - Gloss Black w/ Red Stripe
18x10.5 - 56 mm..... **\$224⁹⁹**
- 53474** 97-04 C6 ZR1 Wheel - Satin Black - 17x9.5 - 54 mm **\$195⁹⁹**
- 53306** 97-04 C6 ZR1 Wheel - Satin Black - 18x8.5 - 56 mm..... **\$211⁹⁹**
- 53490** 97-04 C6 ZR1 Wheel - Satin Black - 18x8.5 - 58 mm **\$215⁹⁹**
- 53308** 97-04 C6 ZR1 Wheel - Satin Black - 18x10.5 - 56 mm **\$220⁹⁹**



WARNING: Cancer and Reproductive Harm -
www.P65Warnings.ca.gov



WHEELS CONTINUED



C7 Z06 CHROME



C7 Z06 GUNMETAL



C7 Z06 SATIN BLACK



C7 Z06 STYLE WHEELS FOR 97-04 CORVETTES

53535	97-04 C7 Z06 Wheel Set - Gunmetal (2) 17x9.5 - 54 mm, (2) 18x10.5 - 56 mm.....	\$819⁹⁹
53538	97-04 C7 Z06 Wheel Set - Satin Black (2) 17x9.5 - 54 mm, (2) 18x10.5 - 56 mm.....	\$789⁹⁹
53541	97-04 C7 Z06 Wheel Set - Chrome (2) 17x9.5 - 54 mm, (2) 18x10.5 - 56 mm.....	\$1059⁹⁹
53473	97-04 C7 Z06 - Gunmetal - 17x9.5 - 54 mm	\$211⁹⁹
53482	97-04 C7 Z06 - Gunmetal - 18x10.5 - 56 mm.....	\$235⁹⁹
53472	97-04 C7 Z06 - Satin Black - 17x9.5 - 54 mm	\$211⁹⁹
53481	97-04 C7 Z06 - Satin Black - 18x10.5 - 56 mm.....	\$235⁹⁹
53422	97-04 C7 Z06 - Chrome - 17x9.5 - 54 mm.....	\$249⁹⁹
53436	97-04 C7 Z06 - Chrome - 18x10.5 - 56 mm.....	\$287⁹⁹



*Each wheel includes a matching center cap.
Matching lug nuts and locking lugs
included with the purchase of any wheel set.
Hardware not included with single wheel purchases.*





C7 ZR1 CHROME



C7 ZR1 SATIN BLACK



C7 ZR1 MACHINED FACE



C7 ZR1 RED STRIPE



1997-2004

Corvette

PARTS



1997-2004

Corvette

INTERIORS

C7 Z51 STYLE WHEELS FOR 97-04 CORVETTES

- 53544** 97-04 C7 Z51 Wheel Set - Chrome
(2) 17x9.5 - 54 mm, (2) 18x10.5 - 56 mm.....**\$1059⁹⁹**
- 53546** 97-04 C7 Z51 Wheel Set - Satin Black
(2) 17x9.5 - 54 mm, (2) 18x10.5 - 56 mm.....**\$819⁹⁹**
- 53548** 97-04 C7 Z51 Wheel Set - Satin Black w/ Machined Face
(2) 17x9.5 - 54 mm, (2) 18x10.5 - 56 mm.....**\$747⁹⁹**
- 53550** 97-04 C7 Z51 Wheel Set - Satin Black
w/ Machined Face & Red Stripe
(2) 17x9.5 - 54 mm, (2) 18x10.5 - 56 mm.....**\$834⁹⁹**
- 53478** 97-04 C7 Z51 Wheel - Chrome - 17x9.5 - 54 mm.....**\$299⁹⁹**
- 53487** 97-04 C7 Z51 Wheel - Chrome - 18x10.5 - 56 mm.....**\$274⁹⁹**
- 53477** 97-04 C7 Z51 Wheel - Satin Black - 17x9.5 - 54 mm.....**\$187⁹⁹**
- 53486** 97-04 C7 Z51 Wheel - Satin Black - 18x10.5 - 56 mm.....**\$198⁹⁹**
- 53479** 97-04 C7 Z51 Wheel - Satin Black
w/ Machined Face - 17x9.5 - 54 mm.....**\$192⁹⁹**
- 53488** 97-04 C7 Z51 Wheel - Satin Black
w/ Machined Face - 18x10.5 - 56 mm.....**\$209⁹⁹**
- 53425** 97-04 C7 Z51 Deep Dish Wheel - Black
w/ Machined Face & Red Stripe - 17x9.5 - 54 mm.....**\$195⁹⁹**
- 53439** 97-04 C7 Z51 Deep Dish Wheel - Black
w/ Machined Face & Red Stripe - 18x10.5 - 56 mm.....**\$227⁹⁹**



1997-2004

Corvette

WHEELS



1997-2004

Corvette

ACCESSORIES

Call or go online today to see a complete product line and to place your order!



WARNING: Cancer and Reproductive Harm - www.P65Warnings.ca.gov

(833) 4TopFlight | TopFlightAutomotive.com





1997-2004 WHEEL CENTER CAPS

- 43523** 00-04 Center Cap - Polished w/ Black Logo..... **\$132⁹⁹**
- 40106** 97-04 Chrome Wheel Cap - Aftermarket **\$22⁹⁹**



1997-2004 DOMED DECALS

These dimensional decals are great for center caps. Has a domed shape that is raised off of the surface.

- 37350** 97-04 Decal C5 Domed 2.375" x 1.17" - Black **\$30⁹⁹**
- 37351** 97-04 Decal C5 Domed 1.75" x .85" - Black **\$30⁹⁹**

1997-2004 THEFT DETERRENT VALVE STEM CAPS

The polished chrome finish and Corvette emblems on these new Valve Stem Caps look so good you're going to want to lock them down. To prevent theft, they can only be removed with the special plastic key. Each set of four caps arrives with two plastic keys. The emblems are fade-proof and water-proof.



- 48223** C5 Logo Valve Stem Caps - Theft Deterrent..... **\$33⁹⁹**
- 48224** Z06 Logo Valve Stem Caps - Theft Deterrent..... **\$33⁹⁹**



1997-2004 VALVE STEM CAPS WITH MATCHING KEY FOB

A valve stem dress-up like no other, these beautiful sets include four aluminum valve caps and a matching, highly-polished key fob that acts as a wrench for installing and removing the caps! The caps feature a full-color logo displayed beneath a protective polycarbonate coating and are fitted with a buna o-ring for a proper air-tight seal. The unusual key fob also displays a beautiful Corvette logo.

- 40010** C5 Logo Valve Stem Caps only - set..... **\$15⁹⁹**
- 43534** Z06 Logo Valve Stem Caps only - set..... **\$15⁹⁹**



#39001 1997-2000
Tire Pressure Indicator
Sensor - Domestic



#39008
1997-2002
Wheel Lock Set



#48035 1997-2000
Tire Pressure Indicator
Sensors - Domestic with
Seals & Valve Stems

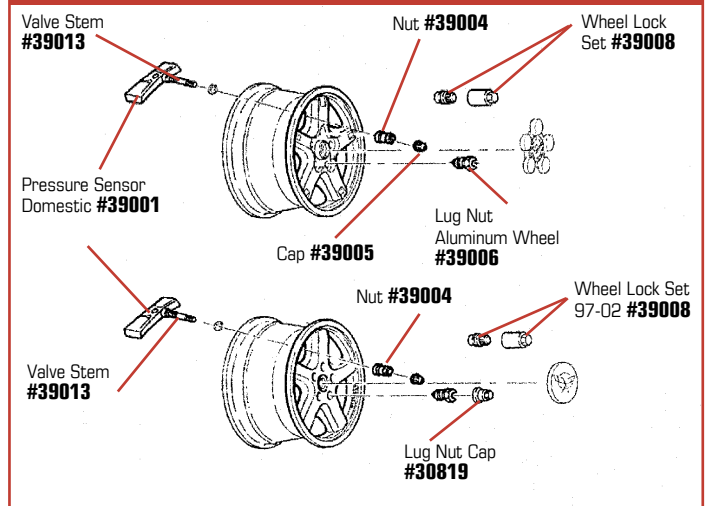


#49421 2000-2004
Lug Nut Covers.
Chrome 20 Piece Set

1997-2004 WHEEL HARDWARE

- 24107** 97-99 Lug Nuts - 5 pc..... **\$7⁹⁹**
- 39006** 97-99 Lug Nut - Aluminum Wheels - Domestic..... **\$2⁹⁹**
- 43050** 97-04 Lug Nut - Chrome - 12mm x 1.5 - each **\$1⁹⁹**
- 43051** 97-04 Lug Nuts - Chrome - 12mm x 1.5 - 20 pc set **\$30⁹⁹**
- 30819** 97-99 Lug Nut Cap - Gray..... **\$4⁹⁹**
- 49422** 00-04 Lug Nut Cap - Gray..... **\$14⁹⁹**
- 50935** 00-04 Lug Nut Cap Gray - Replacement **\$1⁹⁹**
- 43555** 97-04 Lug Nut Cap - Silver Gray **\$3⁹⁹**
- 30814** 97-99 Lug Nut Cap - Chrome **\$2⁹⁹**
- 37954** 97-99 Lug Nut Covers - Chrome - 20 pc set..... **\$40⁹⁹**
- 49421** 00-04 Lug Nut Covers - Chrome - 20 pc set..... **\$42⁹⁹**
- 39001** 97-00 Tire Pressure Indicator Sensor - Domestic - GM.... **\$199⁹⁹**
- 48035** 97-00 Tire Pressure Indicator Sensor - Domestic **\$99⁹⁹**
- 48866** 01-04 Tire Pressure Indicator Sensor..... **\$75⁹⁹**
- 39005** 97-02 Tire Pressure Indicator Sensor Cap **\$3⁹⁹**
- 39004** 97-00 Tire Pressure Indicator Sensor Nut **\$4⁹⁹**
- 39013** 97-04 Valve Stem **\$2⁹⁹**
- 39008** 97-02 Wheel Lock Set - Aluminum Wheels - 02E **\$55⁹⁹**
- 50944** 97-04 Wheel Lug Stud Set - 5 pc **\$12⁹⁹**
- 43049** 97-04 Chrome Valve Stem **\$1⁹⁹**
- 43048** 97-04 Wheel Lock Set - Chrome - 4 pc set..... **\$15⁹⁹**

1997-2004 WHEELS & HARDWARE





1997-2004 JACK LIFTING PUCKS - LEAVE IN STYLE

52329 97-04 Jack Lifting Pucks 4 pc..... \$77⁹⁹



#29814



#29813

1997-2004 JACK LIFTING PUCKS

A must have item that prevents cracking rocker panels. Made of 1 1/8" thick Urethane and 1/4 turn installation on metal twist nut.

Note: Will not fit Z06.

29814 97-04 Jack Lifting Pucks - 4 pc \$70⁹⁹

29813 97-04 Jack Lifting Pucks - 4 pc \$81⁹⁹



1997-2004 LOGO FENDER GRIPPER

Protect your paint when you're under the hood. You'll be able to work in style knowing that your exterior is protected from those annoying scratches that might otherwise ruin your work of art. Made from a non-slip material, you can rest assured that your tools will not slip off the Fender Gripper. Remember, the Fender Gripper is completely washable and impervious to motor oil, so clean up is a snap!

46499 Fender Gripper w/ C5 Logo \$28⁹⁹



#38975 1997-2004
Windshield Wiper Blade



#38979 1997-2004
Windshield Wiper Arm - LH



#38987 1997-2002
Washer Reservoir



#38412 1998-2004 Cowl Air Inlet Screen

1997-2004 WIPERS & WASHERS

38411	97	Cowl Air Inlet Screen	\$348 ⁹⁹
38412	98-04	Cowl Air Inlet Screen	\$379 ⁹⁹
38983	97-04	Cowl Air Inlet Screen Retainer	\$2 ⁹⁹
38989	97-04	Washer Fluid Level Indicator	\$37 ⁹⁹
38990	97-04	Washer Fluid Level Indicator Grommet	\$10 ⁹⁹
23136	97-04	Washer Fluid Line "Y" Connector	\$3 ⁹⁹
38991	97-04	Washer Fluid Pump	\$63 ⁹⁹
38992	97-04	Washer Fluid Pump Grommet	\$2 ⁹⁹
38987	97-04	Washer Reservoir	\$87 ⁹⁹
30085	97-99	Washer Reservoir Cap	\$4 ⁹⁹
38988	97-04	Washer Reservoir Mount Nut	\$0 ⁹⁹
37988	97-04	Washer Reservoir Mount Stud	\$4 ⁹⁹
38979	97-04	Windshield Wiper Arm - LH	\$113 ⁹⁹
38980	97-04	Windshield Wiper Arm - RH	\$113 ⁹⁹
38977	97-04	Windshield Wiper Arm Cap	\$7 ⁹⁹
38978	97-04	Windshield Wiper Arm Nut	\$1 ⁹⁹
38975	97-04	Windshield Wiper Blade	\$14 ⁹⁹
38976	97-04	Windshield Wiper Blade Insert	\$9 ⁹⁹
51079	97-03	Wiper Motor - Remanufactured	\$132 ⁹⁹
51091	04	Wiper Motor - Remanufactured	\$87 ⁹⁹
38994	97-04	Windshield Wiper Motor Crank Arm	\$135 ⁹⁹



WARNING: Cancer and Reproductive Harm -
www.P65Warnings.ca.gov





CORVETTE GIFTS



C8 STAYDRI HATS

Get lightweight microfiber performance with this sharp Next Generation Corvette StyDri cap. This C8 cap features a low-profile, structured crown shape, StayDri moisture management sweatband, precurved visor and hook and loop back strap.

792B8	C8 Staydri Hat - Black.....	\$24⁹⁹
792G8	C8 Staydri Hat - Gray.....	\$24⁹⁹
792W8	C8 Staydri Hat - White.....	\$24⁹⁹



C8 STINGRAY PERFORMANCE HAT

Water-resistant cap with adjustable reflective webbing strap and buckle. Front embroidered with the Next Generation Stingray logo and crossed flags on the back. 100% polyester bonded with 100% polyester single jersey. Black. Imported.



823B8 C8 Stingray Performance Hat..... **\$25⁹⁹**



C7 CORVETTE RACING HAT

100% cotton twill cap with adjustable Velcro strap. Corvette Racing logo embroidered on the crown. Car numbers 3 & 4 embroidered on the sides. "Jake" patch and C7.R on the back.



769Y7 C7 Corvette Racing Hat..... **\$26⁹⁹**



C7 CARBON FIBER HATS

Polyester fabric with carbon fiber simulated pattern, moisture wicking sweatband. ProVisor with anti-glare charcoal under-visor. Adjustable hook-and-loop back strap.



701B7 C7 Black Carbon Fiber Cap **\$24⁹⁹**
701R7 C7 Red Carbon Fiber Cap **\$24⁹⁹**

Call or go online today to see our complete line of products and place your order!





26692 C1 Embroidered **\$15⁹⁹** **26694** C2 Embroidered **\$19⁹⁹** **26698** C4 Embroidered **\$15⁹⁹** **713R7** C7 Red Performance... **\$19⁹⁹**



41984 Black Z06 **\$19⁹⁹** **756B7** Stingray Red Outline..... **\$23⁹⁹** **25940** C3 Sandwich Brim **\$19⁹⁹** **25939** C3 Canvas Twill..... **\$19⁹⁹**



48753 C6 Red/Black Sandwich.. **\$19⁹⁹** **48754** C6 Yellow/Black Sandwich.. **\$19⁹⁹** **48752** C6 Black/Red Sandwich.. **\$19⁹⁹** **766B5** C5 Corvette Racing **\$24⁹⁹**



C7 TWILL HATS WITH LOGO & SCRIPT

668B7 C7 Black Twill **\$19⁹⁹**
668N7 C7 Blue Twill..... **\$19⁹⁹**
668R7 C7 Red Twill **\$19⁹⁹**
668W7 C7 White Twill **\$19⁹⁹**



C1-C6 CORVETTE LOGO & SCRIPT HATS

These comfortable caps feature a structured crown and adjustable back strap for the perfect fit. Available with your choice of C1-C6 emblem and matching script. Officially licensed by GM. Available in Black, White or Red.

BLACK	WHITE	RED
551B1 C1	551W1 C1	551R1 C1
551B2 C2	551W2 C2	551R2 C2
551B3 C3	551W3 C3	551R3 C3
551B4 C4	551W4 C4	551R4 C4
551B5 C5	551W5 C5	551R5 C5
551B6 C6	551W6 C6	551R6 C6

Corvette Logo Cap **\$19⁹⁹**



C6 FLEX FABRIC HATS

760R6 Red C6 Flex Hat..... **\$19⁹⁹**
760W6 White C6 Flex Hat **\$19⁹⁹**
760B6 Black C6 Flex Hat..... **\$19⁹⁹**

Follow us on Facebook, Instagram & Twitter!

Call or go online today to see our complete line of products and place your order!



WARNING: Cancer and Reproductive Harm - www.P65Warnings.ca.gov

(833) 4TopFlight | TopFlightAutomotive.com





C6 RACING HATS

- 76706 C6 Corvette Racing Hats - Daytona Orange \$24⁹⁹
- 767Y6 C6 Corvette Racing Hats - Millennium Yellow..... \$24⁹⁹



CORVETTE TEE & CAP COMBO

This Corvette T-Shirt & Embroidered Khaki Cap combo is the perfect gift idea for that Corvette enthusiast in your life. This T-Shirt is 100% cotton with silk-screened Corvette script, and the cap features matching embroidered script. Officially licensed by GM.

- 567W_ T-Shirt & Cap Combo M/L/X/D..... \$30⁹⁹



- 755P7 Pink Rhinestone Hat \$24⁹⁹
- 755B7 Blk Rhinestone Hat..... \$24⁹⁹

*Call or go online today
to see our complete line
of products and place
your order!*

- 712B7 Ladies C7 Sequined Cap . \$19⁹⁹



C8 NEXT GENERATION TEE

Super soft and lightweight ring spun 85/15 cotton/poly blend. Available in Graphite or Blue.

- 789G_ C8 Tee - Graphite S/M/L/X/D/T \$21⁹⁹
- 789N_ C8 Tee - Blue S/M/L/X/D/T \$21⁹⁹



C7 CORVETTE RACING TEE

Keep it in the fast lane with this bold C7 Corvette Racing tee. Front features a checkered flag background with Corvette Racing script and C7 flag. Available in Black or Gray.

- 778B_ C7 Racing Tee - Black S/M/L/X/D/T \$21⁹⁹
- 778G_ C7 Racing Tee - Gray S/M/L/X/D/T..... \$21⁹⁹



MENS C8 CROSSED FLAGS TEE

Softness and comfort combined all in one with this cotton jersey tee. Full-color Next Generation Corvette crossed flags and signature are printed front-and-center. 100% cotton. Available in Black or Dark Gray.

- 821B_ C8 Tee - Black M/L/X/D..... \$20⁹⁹
- 821G_ C8 Tee - Dark Gray M/L/X/D \$20⁹⁹





709N_ **C7 Z06** M/L/X/D \$19⁹⁹



707B_ **C7 Track** M/L/X/D \$19⁹⁹



710B_ **C7 Stingray Emblem** M/L/X/D \$19⁹⁹



693R_ **C7 Legendary** M/L/X/D . \$21⁹⁹7856_



C7 Logo with 1953 M/L/X/D/T \$22⁹⁹



735B_ **Black Grand Sport** M/L/X/D .. \$19⁹⁹



660R_ **Red Stingray** M/L/X/D \$23⁹⁹



662B_ **Black Stingray** M/L/X/D \$23⁹⁹662N_



Blue Stingray M/L/X/D/T \$23⁹⁹



732N_ **Blue Grand Sport** M/L/X/D \$19⁹⁹

How To Order Your Size
 When you see a product number such as **677N**, simply attach your size letter in the blank. For example, to order a large, the product number would be **677NL**.

S = Small	L = Large	D = 2X Large
M = Medium	X = X Large	T = 3X Large



WARNING: Cancer and Reproductive Harm - www.P65Warnings.ca.gov

(833) 4TopFlight | TopFlightAutomotive.com





703B_ **Black C7 Z06** M/L/X/D \$12⁹⁹



745N_ **Blue C1** M/L/X/D \$23⁹⁹



602W_ **White C6 Logo** M/L/X/D \$19⁹⁹



687B_ **Born In The USA** M/L/X/D \$19⁹⁹



734W_ **White Grand Sport** M/L/X/D... \$19⁹⁹



737N_ **Blue Time Flies** M/L/X/D \$21⁹⁹



640G_ **Blue C2 Corvettes** M/L/X/D.... \$19⁹⁹



747G_ **C6 Speeding Bullet** M/L/X/D .. \$19⁹⁹



636G_ **Nothing But Corvette** M/L/X/D \$19⁹⁹



738R_ **Evolution of a Legend** M/L/X/D \$21⁹⁹



664G_ **C7 Logo** M/L/X/D \$23⁹⁹



782R_ **C7 Block Print** M/L/X/D/T \$21⁹⁹





Front

Back

746B_ Black w/ Logos on Back M/L/X/D **\$24⁹⁹**



STINGRAY CONTRAST STITCH TEE

Full-color C7 crossed flags and Stingray signature are front-and-center on this lightweight pro-style men's carbon tee with heather interlock fabric. It has underarm gussets for comfort and loose fit, raglan shoulders and contrast stitching. 100% polyester.

7836_ Gray w/ Red Stitching - S/M/L/X/D/T **\$29⁹⁹**

7846_ Gray w/ Black Stitching - S/M/L/X/D/T **\$29⁹⁹**



752B_ Black w/ Red Outline M/L/X/D **\$24⁹⁹**

Matching Hat! **756B7** Stingray Red Outline Hat **\$23⁹⁹**



AMERICAN SPORTSCAR FLAG TEE

Proudly display your Corvette and American pride with this C7 Corvette flag tee. Features a distressed American flag large screen print on front with "The American Sports Car" and C7 logo. 5.4 oz preshrunk 100% combed ring spun cotton. Black.

779B_ American Sportscar - S/M/L/X/D/T **\$19⁹⁹**



C8 LONG SLEEVE SHIRT

Ultra-soft, enzyme-washed long sleeve jersey tee delivers great comfort while wearing. Featuring Next Generation crossed flags and signature on left chest and vertical Stingray signature on the right sleeve. 100% cotton jersey.

822B_ C8 Long Sleeve Shirt - Black M/L/X/D.. **\$32⁹⁹**



CLASSIC LONG SLEEVE TEE

This C7 Corvette Classic 1953 long sleeve shirt is made of heavyweight pre-shrunk cotton. DryBlend fabric wicks moisture away from body. Corvette classic screen print. 50% preshrunk cotton/50% polyester.

776N_ Classic Long Sleeve Tee - M/L/X/D **\$32⁹⁹**

How To Order Your Size
 When you see a product number such as **677N_**, simply attach your size letter in the blank. For example, to order a large, the product number would be **677NL**.

S = Small	X = X Large
M = Medium	D = 2X Large
L = Large	T = 3X Large



WARNING: Cancer and Reproductive Harm - www.P65Warnings.ca.gov





LADIES C8 V-NECK TEE

Ladies Next Generation Corvette V-Neck tee. Soft touch and drapery for timeless style. 60/40 ring spun cotton/polyester. Graphite, Navy.

- 790G_C8 V-Neck - Graphite S/M/L/X/D \$29⁹⁹
- 790N_C8 V-Neck - Navy S/M/L/X/D \$29⁹⁹



LADIES C8 GRAY SCOOP NECK TEE

Ladies knit tee decorated with a reflective transfer of the Next Generation Corvette crossed flags. Dark Gray.

- 810G_C8 Gray T-Shirt - S/M/L/X/D \$25⁹⁹



C7 LADIES LONG SLEEVE TEE

Ladies will love this C7 Corvette patch tee with its feminine fit and flattering neckline. Elbow patches to match body color. Self-fabric cuff, Raglan sleeves. C7 Corvette screen print. 4.3 oz., 60% cotton/40% polyester.

- 777P_C7 Ladies Long Sleeve S/M/L/X/D ... \$41⁹⁹



LADIES C8 BLACK TEE

Ladies knit tee decorated with the Next Generation Corvette crossed flags and signature. Black.

- 811B_C8 Black T-Shirt - S/M/L/X/D \$20⁹⁹



WHITE C5 CORVETTE GIRL TEE

- 47928 Small 47929 Medium
- 47930 Large 47931 X Large

- White C5 Corvette Girl Tee \$19⁹⁹

How To Order Your Size

When you see a product number such as **677N_**, simply attach your size letter in the blank. For example, to order a large, the product number would be **677NL**.

- S = Small X = X Large
- M = Medium D = 2X Large
- L = Large T = 3X Large

Follow us on Facebook, Instagram & Twitter!





LADIES RHINESTONE SCOOP NECK SHIRT

This scoop neck style tee comes in black and features either the C5, C6, or C7 Corvette crossed flags logo with corresponding script fully reproduced in a colorful rhinestone design. Made from 100% cotton, this shirt is comfortable enough to wear every day.

- 751B**_ C5 Rhinestone Shirt S/M/L/X **\$38⁹⁹**
- 750B**_ C6 Rhinestone Shirt S/M/L/X **\$38⁹⁹**
- 749B**_ C7 Rhinestone Shirt S/M/L/X **\$38⁹⁹**



LADIES AMERICA'S SPORTS CAR

This is a cool eye-catching ladies crew neck tee with vivid color and distressed vintage graphics for America's Sports Car, Corvette. Mineral washed & garment washed offer a unique look and softness. 100% cotton. Seaglass.

786E_ America's Sports Car - S/M/L/X/D **\$24⁹⁹**

LIVE FAST V-NECK TEE

Silk screen printing and hot pink foil decoration adorn this 100% ringspun cotton tee.

630B_ Live Fast Tee S/M/L/X **\$30⁹⁹**

PINK CORVETTE GIRL TEE

Any little girl or young lady will love these Corvette short sleeve cotton tees. Corvette Girl Young Love T-shirts feature Corvette girl graphics with Hot Pink glitter on a pink 100% cotton tee shirt.

- 795P**_ Kid's Corvette Girl - S(2T) / M(4T) **\$19⁹⁹**
- 796P**_ Youth Corvette Girl - S/M **\$19⁹⁹**

Call or go online today to see our complete line of products and place your order!

How To Order Your Size

When you see a product number such as **677N**_, simply attach your size letter in the blank. For example, to order a large, the product number would be **677NL**.

- S = Small
- M = Medium
- L = Large
- X = X Large
- D = 2X Large
- T = 3X Large



WARNING: Cancer and Reproductive Harm - www.P65Warnings.ca.gov

(833) 4TopFlight | TopFlightAutomotive.com





C7 YOUTH THREE-QUARTER SLEEVE

Hit one out of the ballpark in these Corvette C7 youth 3/4 sleeve raglan shirts. With major-league style, Red or Navy blue trimmed shirts are comfortable and laid back. Made from 100% ring spun combed cotton.

- 797N**_ Youth 3/4 Sleeve - Navy S/M/L.....\$19⁹⁹
- 797R**_ Youth 3/4 Sleeve - Red S/M/L.....\$19⁹⁹



C7 FUTURE DRIVER ONESIES

Add one of these C7 Corvette onesies to your baby's wardrobe. Printed Corvette and the C7 crossed flags and "Pedal to the Metal Future Driver" on front. Very cute! 100% combed ring spun cotton.

- 798P**_ Future Driver Onesie - Pink S/M/L/X.....\$21⁹⁹
- 799N**_ Future Driver Onesie - Navy S/M/L/X.....\$21⁹⁹
- 800R**_ Future Driver Onesie - Red S/M/L/X.....\$21⁹⁹
S/6 month - M/12 month - L/18 month - X/24 month



C7 YOUTH TEE

This youth tee shirt is for the up-and-coming Corvette fans! Brightly printed with "Chevrolet Corvette Est. 1953" and the C7 crossed flags on front. Pre-shrunk 100% cotton. Available in Yellow or Charcoal.

- 801Y**_ C7 Youth Tee - Yellow S/M/L/X.....\$21⁹⁹
- 802G**_ C7 Youth Tee - Charcoal S/M/L/X.....\$21⁹⁹



WHEN I GROW UP TEES & ONESIES

These fun cotton logo tees and onesies say it all. They're silkscreened on the front with "When I Grow Up...I'm Driving a Corvette. Lookout!" With Corvette image or C5 logo.

- | | |
|------------------------|------------------------|
| <i>TEE W/ LOGO</i> | <i>TEE W/ CAR</i> |
| 40039 2T | 47923 2T |
| 40040 4T | 47924 4T |
| 40041 6-8 | 47925 6-8 |
| 40042 10-12 | 47926 10-12 |
| 40043 14-16 | 47927 14-16 |
| <i>ONESIE W/ LOGO</i> | <i>ONESIE W/ CAR</i> |
| 25942 12 Months | 47921 12 Months |
| 25943 24 Months | 47922 24 Months |

- When I Grow Up Tee Shirts.....\$13⁹⁹
- When I Grow Up Onesie.....\$16⁹⁹



C7 YOUTH - "GROWING UP FAST" TEE

Start their love of the Corvette early with kids and youth C7 Corvette Growing Up Fast Tees. These 100% pre-shrunk cotton red shirts offer style and comfort for the youngest Corvette fans.

- 793R**_ Growing Up Fast - S(2T) / M(4T).....\$19⁹⁹
- 794R**_ Growing Up Fast - S/M/L.....\$19⁹⁹



BORN 2 CRUZ TEE SHIRT & ONESIES

It's never too early to start them on the right road. These 100% cotton tees and onesies are silkscreened on the front with the Born 2 Cruz logo and the C1 Corvette.

- | | | |
|------------------|--------------------|------------------------|
| <i>TEE SHIRT</i> | 47918 6-8 | <i>ONESIE</i> |
| 47916 2T | 47919 10-12 | 47914 12 Months |
| 47917 4T | 47920 14-16 | 47915 24 Months |

- Born 2 Cruz Tee Shirt.....\$13⁹⁹
- Born 2 Cruz Onesie.....\$16⁹⁹





C7 MENS COLORBLOCK POLO

This moisture wicking men's polo delivers an exceptional level of style and comfort. Featuring a flat knit-collar, contrast piping, colorblock side inserts and UV protection. C7 crossed flags and Corvette signature embroidered on left chest. 100% polyester. Red/Black.

781R_ C7 Colorblock Polo S/M/L/X/D **\$45⁹⁹**



MENS C8 OGIO POLO

This polo has a 3-button welded placket with dyed-to-match Ogio buttons, a self-fabric collar, set-in open hem sleeves, black reflective welded left chest pocket and side vents. Embroidered with the Next Generation Corvette signature on the left chest and the crossed flags on the right sleeve.

808B_ C8 Ogio Polo - Black M/L/X/D/T .. **\$59⁹⁹**



MENS C8 CONTRAST OGIO POLO

Stylish polo with a seasonless appeal takes you from the office to a night out on the town. This polo has a 3-button hidden placket with dyed-to-match Ogio buttons, a self-fabric collar, set-in open hem sleeves, contrast bar tacks and side panel stitch detail. Embroidered with the Next Generation Corvette signature and crossed flags on the left chest. Ogio badge on the left sleeve.

820B_ C8 Contrast Polo - Black M/L/X/D/T **\$60⁹⁹**



LADIES



MENS

C7 CORVETTE RACING POLO

These striking C7 Corvette racing polos feature state-of-the-art moisture wicking yarn, which maintains the moisture wicking function throughout the life of the garment. Hybrid Cooler fabric is soft, lightweight, breathable and snag resistant. 92% polyester, 8% spandex. Embroidered C7 racing emblem.

771Y_ Mens C7 Racing Polo - M/L/X/D/T **\$59⁹⁹**

772Y_ Ladies C7 Racing Polo - S/M/L/X/D... **\$59⁹⁹**

MENS C8 UNDER ARMOUR POLO

This Under Armour polo has a three-button placket, hemmed sleeves, smooth anti-pill fabric with a snag-free finish, four-way stretch fabrication allows greater mobility in any direction. Embroidered with the Next Generation Corvette crossed flags and signature on the left chest. Under Armour logo on left sleeve and back neck. Gray Heather, Blue Heather.

819G_ C8 Polo Gray M/L/X/D **\$75⁹⁹**

819N_ C8 Polo Blue M/L/X/D **\$75⁹⁹**

How To Order Your Size

When you see a product number such as **677N_**, simply attach your size letter in the blank. For example, to order a large, the product number would be **677NL**.

S = Small L = Large D = 2X Large
M = Medium X = X Large T = 3X Large



WARNING: Cancer and Reproductive Harm -
www.P65Warnings.ca.gov

(833) 4TopFlight | TopFlightAutomotive.com





C7 UNDER ARMOUR POLO

C7 Corvette Under Armour Tech Polo Shirts feature a Signature Moisture Transport System that wicks away sweat to help you stay cool. Each shirt has a self-fabric collar with three button placket and has hemmed sleeves. In addition, each has shoulder contrast piping with loose performance fit and with anti-odor technology built in. Embroidered with the Corvette C7 emblem on the front left chest and a heat sealed Under Armour logo on the right.

- 733B**_ Black Under Armour Polo - M/L/X/D **\$60⁹⁹**
- 733G**_ Graphite Under Armour Polo - M/L/X/D **\$60⁹⁹**
- 733N**_ Royal Under Armour Polo - M/L/X/D **\$60⁹⁹**
- 733R**_ Red Under Armour Polo - M/L/X/D **\$60⁹⁹**

RED C7 POLO

Polo features 100% polyester quick moisture wicking fabric, 3 dyed-to-match pearlized buttons, open hemmed cuffs, split side vents and taped neck seams.

- 681R**_ C7 Stingray Polo - Red M/L/X/D **\$40⁹⁹**



C6 CORVETTE CALLAWAY DRY CORE POLOS

Distinctive pattern combined with performance technology, moisture wicking fabric, three-button placket, rib-knit collar and open sleeve, double needle hemmed bottom with side vents. 100% polyester with embroidered C6 emblem.

- 773B**_ Mens Black C6 Callaway Polo - M/L/X/D **\$59⁹⁹**
- 773G**_ Mens Gray C6 Callaway Polo - M/L/X/D **\$59⁹⁹**
- 773N**_ Mens Blue C6 Callaway Polo - M/L/X/D **\$59⁹⁹**
- 773R**_ Mens Red C6 Callaway Polo - M/L/X/D **\$59⁹⁹**



C7 OGIO POLO

Men's C7 Ogio Polo features stay-cool wicking technology with an embroidered Stingray logo on left chest. The shirt has a 3-button bias-cut placket with debossed metal buttons.

- 670B**_ Ogio C7 Stingray Polo - M/L/X/D **\$70⁹⁹**



C6 CAMP SHIRT

C6 logo and script embroidered on a plain black shirt. Left chest pocket, black buttons. Made of 100% rayon. Best if dry cleaned. Licensed by General Motors.

- 682B**_ C6 Camp Shirt - M/L/X/D **\$24⁹⁹**

How To Order Your Size

When you see a product number such as **677N**_, simply attach your size letter in the blank. For example, to order a large, the product number would be **677NL**.

- S = Small
- M = Medium
- L = Large
- X = X Large
- D = 2X Large
- T = 3X Large





CORVETTE HOODIES WITH EMBROIDERED EMBLEM

These tagless hooded sweatshirts are a pre-shrunk, 50% cotton/50% polyester blend for the ultimate in soft fleece comfort. Double-needle cover stitching, ribbed cuffs and waistband. Your choice of C3-C6 full-color embroidered emblem and matching script. Officially licensed by GM. Available in Gray Only.

- 563G** C3 Corvette Hoodie M/L/X/D \$49⁹⁹
- 564G** C4 Corvette Hoodie M/L/X/D \$49⁹⁹
- 565G** C5 Corvette Hoodie M/L/X/D \$49⁹⁹
- 566G** C6 Corvette Hoodie M/L/X/D \$49⁹⁹

C6 SWEATSHIRT

Go Corvette casual in this great looking crewneck sweatshirt. Features poly/cotton fleece on the inside with soft, elastic cuffs and waistband for a very comfortable fit. Corvette emblem and script embroidered on front.



- 47548** M
- 47549** L
- 47550** XL
- 47551** 2XL

C6 Crew Sweatshirt... \$50⁹⁹



C8 STORMTECH FLEECE

This stylish and comfortable Stormtech fleece has a full-zip front, convertible hand-warmer cuffs with thumb holes, zippered pockets, contrast color-blocking under the arms and hem panels and is made with anti-snap polyester/spandex blended fabrics. Embroidered with the Next Generation Corvette crossed flags and signature on the left chest. 91% polyester/9% spandex. Black/Carbon Heather.

- 813B** Ladies C8 Stormtech Fleece - S/M/L/X/D \$110⁹⁹



LADIES C8 QUARTER-ZIP FLEECE

Designed with mobility and breathability in mind, this fleece features H2X-Dry moisture management technology. It has a grid-back fleece for superior thermal protection, contour side panels for a more feminine silhouette and UVR sun protection. Raspberry fleece embroidered with the Next Generation Corvette crossed flags and signature on the left chest.

- 812R** C8 Quarter-Zip Fleece - S/M/L/X/D \$75⁹⁹



WARNING: Cancer and Reproductive Harm - www.P65Warnings.ca.gov





EMBROIDERED BOMBER JACKETS

Lambskin bomber style jackets. Features generous cut body, satin lining, antique-look zippers and snaps, adjustable cuffs and comfort waist. Two inside zippered pockets. Corvette emblems on left chest and full back. Imported. *This is a special order item. Please allow 10-12 weeks for delivery.*

- 716B**_ C3 Bomber Jacket - M/L/X/D..... **\$305⁹⁹**
- 717B**_ C5 Bomber Jacket - M/L/X/D..... **\$305⁹⁹**
- 718B**_ C6 Bomber Jacket - M/L/X/D..... **\$260⁹⁹**
- 719B**_ C7 Bomber Jacket - M/L/X/D..... **\$305⁹⁹**



LADIES C6 LAMBSKIN JACKET

Made of soft, yet durable lambskin. Features princess seams which are body-slimming to all figures and front double-welt satin lined pockets. Front zips up to the fold down collar with an antique-look zipper and a silky poly/satin lining. Embroidered Corvette C6 emblem. Imported. *This is a special order item. Please allow 10-12 weeks for delivery.*

- 726B**_ C6 Lambskin Jacket - S/M/L/X **\$254⁹⁹**



CLASSIC C6 VARSITY JACKET

Melton boiled wool body with lambskin leather sleeves, collar and pocket trim. Features storm-flap covered snap front, knit rib cuffs and waistband, satin lining and embroidered Corvette emblem on the left chest and back. Imported. *This is a special order item. Please allow 10-12 weeks for delivery.*



- 725B**_ C6 Varsity Jacket - M/L/X/D..... **\$254⁹⁹**



C7 LAMBSKIN FASHION JACKET

Black lambskin open hem jacket with two snaps for cinching waist. Features generous cut body, satin lining, antique-look zippers and snaps, adjustable cuffs and comfort waist. One inside zippered pocket. Embroidered tone-on-tone emblems on left chest and full back. Imported.



- 727B**_ C7 Lambskin Jacket M/L/X/D..... **\$286⁹⁹**





AVIATOR JACKET

Classic black aviator jacket with nylon outer-shell and quilted satin lining. Features rib-knit cuffs, collar and waistband. Includes two front snap pockets, two interior zip pockets and a left sleeve pocket with zipper and pen slots. Embroidered emblem on left chest and full back. Imported.

*The Aviator jacket size specs are smaller than average.
We recommend you order a size larger than usual.*

720B	C3 Aviator Jacket - M/L/X/D	\$91⁹⁹
721B	C4 Aviator Jacket - M/L/X/D	\$91⁹⁹
722B	C5 Aviator Jacket - M/L/X/D	\$77⁹⁹
723B	C6 Aviator Jacket - M/L/X/D	\$91⁹⁹
724B	C7 Aviator Jacket - M/L/X/D	\$91⁹⁹



C7 CORVETTE SOCKS

75887	C7 Fan Nation Trousers Socks - Size 10-13	\$15⁹⁹
75987	C7 Team Color Quarter Crew Socks - Size 10-13	\$13⁹⁹



CARBON FIBER ZIPPERED HARD CASE

Protect your stylish eyewear with this hard case.

48517	Zippered Hard Case	\$11⁹⁹
--------------	--------------------------	--------------------------



C6 METAL FRAME SUNGLASSES

C6 Metal Frame Sunglasses include a protective hardshell case.

48503	Sunglasses - Black - Metal Frame	\$50⁹⁹
48504	Sunglasses - Gunmetal - Metal Frame	\$50⁹⁹



C6 CORVETTE LOGO SUNGLASSES

C6 Logo Sunglasses include a soft case as well as one extra pair of amber lenses.

48510	Sunglasses - Black	\$101⁹⁹
48513	Sunglasses - Quicksilver	\$101⁹⁹

C7 WRAP AROUND SUNGLASSES

The C7 logo has been incorporated into this super slick wrap around gloss black full frame. The frame features include optical quality and Rx capable TR90 frames with premium silicone temple pads and nose pads for added comfort. The temple also includes a raised Stingray emblem. Includes a deluxe micro fiber carrying bag.



48514	C7 Wrap Around Sunglasses - Black	\$101⁹⁹
48515	C7 Wrap Around Sunglasses - Crystal	\$101⁹⁹



C7 METAL FRAME SUNGLASSES

C7 Metal Frame Sunglasses include a protective hardshell case.

48516	C7 Metal Frame	\$60⁹⁹
--------------	----------------------	--------------------------



WARNING: Cancer and Reproductive Harm -
www.P65Warnings.ca.gov





CORVETTE RACING JAKE JEWELRY

Show off your racing style with this Corvette Racing "Jake" jewelry.

- 55751** Corvette Racing Jake Necklace..... **\$54⁹⁹**
- 55752** Corvette Racing Jake Earrings..... **\$42⁹⁹**
- 57083** Corvette Racing Jake Lapel Pin..... **\$7⁹⁹**

C7 BEVELED LAPEL PIN

Pure class describes this C7 beveled lapel pin. The highly detailed, die-cast full-color pin has a 3-D appearance. Striking beveled edges create a chiseled effect. Double butterfly clutch back attachments.

Size: 1 1/8".



- 57084** C7 Beveled Lapel Pin..... **\$7⁹⁹**

C8 LAPEL PIN

Wear your Corvette pride on your lapel, hat or anywhere you want with this C8 Corvette carbon lapel pin.

- 57082** C8 Lapel Pin..... **\$7⁹⁹**



CORVETTE LAMBSKIN DUFFEL BAG

This genuine black lambskin Corvette Leather Bag boasts a zippered compartment and outer pocket at both ends, a roomy zippered main compartment, a reinforced bottom and full-length zippered side compartments. 16" x 8" x 9".

- 51754** C6 Duffel Bag..... **\$55⁹⁹**
- 51755** C5 Duffel Bag..... **\$55⁹⁹**
- 51756** Corvette Script Duffel Bag..... **\$55⁹⁹**



C8 EDDIE BAUER DUFFEL BAGS

When you travel, carry all of your necessities in style with this Next Gen Corvette Eddie Bauer medium duffel bag. Size: 22"L X 11"W X 11"D.

- 80588** C8 Duffel Bag - Black **\$52⁹⁹**
- 80588** C8 Duffel Bag - Red **\$52⁹⁹**

OGIO C7 STINGRAY BIG DOME DUFFEL BAG

Large capacity for the gym or light travel. Features front zippered pocket, padded shoulder strap, all metal hardware, ventilated shoe compartment and grab handle. Embroidered new Stingray emblem on front. Imported.

Size: 12"H x 24"W x 9"D.



- 52304** C7 Red Big Dome Duffel Bag **\$65⁹⁹**

NORTH FACE AURORA II BACKPACK

Designed for heavy loads, this backpack features a wraparound zipper that allows easy access to the main compartment. Inside features a fleece-lined compartment for a 12" laptop or tablet, top fleece-lined zippered pocket, front stretch-mesh panel, side water bottle pocket and hidden zippered side pocket. Embroidered with the C7 crossed flags on the front.

- 55722** North Face Aurora II Backpack Medium Gray Heather with C7 Crossed Flags..... **\$117⁹⁹**



Call or go online today to see our complete line of products and place your order!





VERA BRADLEY GALLATIN CARGO BACKPACK

55721 Vera Bradley Gallatin Cargo Backpack - Black with Corvette Script **\$344⁹⁹**



LEATHER CAR KIT

All leather construction with embroidered emblems on both sides. Features large lined inside pocket, heavy duty zippers and leather shoulder strap. Measures 24" x 12" x 10". Imported.

52420 C5 Leather Car Kit **\$60⁹⁹**
52421 C6 Leather Car Kit **\$60⁹⁹**



757Y6



757Y7

C6 & C7 RACING DUFFEL COOLERS

Rugged denier polyester; insulated, removable waterproof lining in main compartment. Two zippered end mesh pockets and two zippered front pockets, 12 can capacity. Embroidered Corvette Racing emblem.

757Y6 C6 Racing Duffel Cooler **\$45⁹⁹**
757Y7 C7 Racing Duffel Cooler **\$45⁹⁹**



C7 CORVETTE TRUNK CADDY

55723 C7 Corvette Trunk Caddy w/ Logo & Script - Black **\$34⁹⁹**



OGIO C7 STINGRAY 18-24 CAN COOLER

This soft-side collapsible cooler holds 18-24 twelve oz. cans in the zippered, insulated main compartment. It has dual-side beverage accessory holsters, front zippered pocket and an adjustable, padded shoulder strap. It also has an easy to clean, leak-proof lining. Size: 11"H x 11.5"W x 8.5"D.

69087 Black C7 Cooler **\$65⁹⁹**
69087 Red C7 Cooler **\$65⁹⁹**

CORVETTE TEDDY BEAR

There's a little Corvette driver in all of us! This soft 10" teddy bear, with shirt printed with the C7 Corvette crossed flags and signature is great for kids or a fun gift for any Corvette fan. With embroidered eyes, this is suitable for all ages.



57085 Teddy Bear **\$28⁹⁹**

Follow us on Facebook, Instagram & Twitter!



WARNING: Cancer and Reproductive Harm - www.P65Warnings.ca.gov





CORVETTE RACING BAR STOOLS

Add a Corvette Racing accent to your seating with this padded "Jake" chrome bar stool. The seat features comfort foam padding and a 360 degree swivel. Constructed of marine grade vinyl and chrome double-rung reinforced legs made of tubular steel, it is both lightweight and sturdy. Overall dimension 20" x 20" x 31".

- 55758** Corvette Jake Stool - Yellow Logo\$127⁹⁹
- 55759** Corvette Jake Stool - Silver Logo\$127⁹⁹

JAKE VALVE STEM CAPS

The perfect accent for your Corvette. Set of 4 silver valve stem caps with Corvette Racing's "Jake" logo in yellow on a black background. Built with precision from the highest quality materials and OEM exterior standards. Std. size - 0.5" x 0.5" diameter.



- 55754** Jake Valve Stem Caps - Yellow\$33⁹⁹



#48221



#48224

THEFT DETERRENT VALVE STEM CAPS

To prevent theft, they can only be removed with the special plastic key. Each set of four caps arrives with two plastic keys. The emblems are fade-proof and water-proof.

- | | | |
|-----------------|------------------|-----------------|
| 48221 C3 | 48223 C5 | 48225 C6 |
| 48222 C4 | 48224 Z06 | |

- Theft Deterrent Valve Stem Caps\$33⁹⁹



CORVETTE BAR STOOLS WITH BACK REST

Here's the perfect Corvette seating for your home, garage or workbench. Corvette counter stools feature chrome legs and foot rest with a vinyl-covered seat that features your choice of Corvette emblem. The swivel seat is 30" high and approximately 14.5" in diameter. Assembly required with included hardware and easy-to-follow instructions.

- 49278** C5 Bar Stool with Back Rest.....\$162⁹⁹
- 49279** C6 Bar Stool with Back Rest.....\$162⁹⁹
- 49321** C7 Bar Stool with Back Rest.....\$162⁹⁹



CORVETTE BAR STOOLS

- 49274** C3 Bar Stool.....\$121⁹⁹
- 49275** C4 Bar Stool.....\$121⁹⁹
- 49276** C5 Bar Stool.....\$121⁹⁹
- 49277** C6 Bar Stool.....\$121⁹⁹
- 49320** C7 Bar Stool.....\$121⁹⁹



CHEVROLET BAR STOOL

This bar stool swivels 360 degrees and features the Chevrolet bowtie logo on a vinyl covering with foam padded cushion. The metal reinforced legs are powdercoated for extra durability. Assembly required. Size: 28.75" H x 15" diameter.

- UN0238** Chevrolet Bar Stool.....\$89⁹⁹

Follow us on Facebook, Instagram & Twitter!





C5 FLEECE TRAVEL BLANKETS

The C5 emblem is embroidered on this 50" x 60" polyester fleece blanket. It features a nylon carrying strap with buckles so you can easily roll it up and take it with you on your next roadtrip.

- 49451** C5 Fleece Travel Blanket - Red\$30⁹⁹
- 49453** C5 Fleece Travel Blanket - Black.....\$30⁹⁹



GRAND SPORT TRAVEL BLANKET

Stay warm on-the-go with this microfleece throw. Ultra-fine microfiber yarns sheared on both sides makes you feel like you're wrapped in cashmere. Comes with a carrying case embroidered with the C7 crossed flags and Grand Sport logo. 100% polyester, 36"W x 58"L.

- 55733** Grand Sport Travel Blanket\$47⁹⁹

C7 Z06 TITANIUM TRAVEL MUG

This premium dual-wall stainless steel tumbler is copper lined and vacuum insulated to keep drinks hot or cold for hours. Sweat-free design. Flip-top lid with snap-locking closure to prevent spills. C7 crossed flags and Z06 logos. 20 oz.

- 57088** C7 Titanium Travel Mug..... \$24⁹⁹



Call or go online today to see our complete line of products and place your order!



ENGRAVED C-HANDLE MUGS - BLACK OR COBALT

These Premium Ceramic Mugs are precision engraved with your choice of C1-C7 Crossflags. Holding 11 oz. of your favorite beverage, you can't go wrong with this eye-catching gift. Please allow 2-3 weeks for delivery, as these glasses are engraved at the time of ordering.

BLACK	51846 C1	51849 C4	52318 C7
	51847 C2	51850 C5	
	51848 C3	51851 C6	
COBALT	51852 C1	51855 C4	52319 C7
	51853 C2	51856 C5	
	51854 C3	51857 C6	

- Engraved C-Handle Mugs - Black or Cobalt \$16⁹⁹

C8 MUG - MATTE GRAY - 16 oz.

Get an extra boost from your coffee each morning with this Next Generation Corvette 16 oz. coffee mug. C8 logo and script on both sides of this matte gray mug.



- 57081** C8 Mug\$14⁹⁹

C8 MUG - 16 oz.

This generous 16 oz. ceramic mug is made with a high-gloss luster glaze process creating a mirror-like finish. Next Generation Corvette crossed flags in vivid silver on two sides. D-shaped comfort grip handle. Top rack dishwasher and microwave safe. 16 oz. Black.



- 57094** C8 Mug - 16 oz..... \$18⁹⁹



C8 Mug - 15 oz.

Ceramic mug with a brilliant black finish with full-color Next Generation Corvette crossed flags and signature on two sides. Extra-large comfortable C-shaped handle. Top-rack residential dishwasher and microwave safe. 15 oz.

57093 C8 Mug - 15 oz **\$15⁹⁹**



C8 INSULATED BOTTLE

This double-wall insulated bottle keeps drinks cold for 18 hours and hot for 6 hours. Made of high-grade 18/8 stainless steel with a sweatproof design, leak-proof lid and a nonslip grip. BPA free. Lid is dishwasher safe (top rack), hand wash body recommended. Decorated with the Next Generation Corvette signature and Stingray logos. 20 oz.

57092 C8 Insulated Bottle **\$35⁹⁹**



SIDE 1

SIDE 2

CORVETTE RACING BOTTLE

This durable 17 oz. insulated bottle features "Jake" on one side, and the Corvette Racing signature on the other. Double-wall stainless steel, copper plated inner wall and threaded insulated lid. It's vacuum sealed to keep drinks hot for 12 hours and cold for 24!

55746 Corvette Racing Bottle . **\$24⁹⁹**



SIDE 1

SIDE 2



CHEVROLET TRAVEL MUGS

UN0227 Chevrolet - Still Plays with Cars - Travel Mug **\$29⁹⁹**

UN0248 Chevrolet Travel Mug - Stainless Steel..... **\$29⁹⁹**



ENGRAVED C7 GLASSWARE - 4 PC SET

Available in three styles - the 13.5 oz. Classico Double Old Fashioned, the 16 oz. Classico Beverage and the 17 oz. Mugs. All feature the C7 Logo and Script engraved on high-quality Luigi Bormioli Lead-Free Crystal. Four piece sets.

51837 C7 Engraved 13.5 oz. Short - 4 pc..... **\$73⁹⁹**

51838 C7 Engraved 16 oz. Tall - 4 pc **\$73⁹⁹**

51839 C7 Engraved 17 oz. Mugs - 4 pc..... **\$88⁹⁹**



GENERATIONS 1-8 ETCHED 8 PIECE GLASS SET

These short beverage glasses are the perfect choice for holding 14 ounces of your favorite beverage. With its simplistic lines, they will work with any setting. Generations 1-8 emblems elegantly engraved on one side of each glass. 14 ounce.

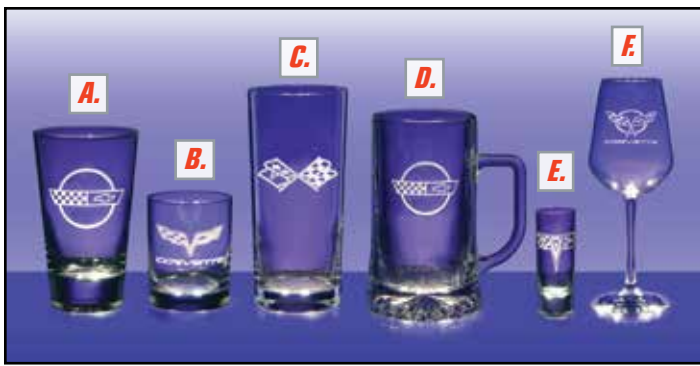
51867 8 Generations Glass Set **\$97⁹⁹**

CORVETTE RACING KOOZIE

This deluxe collapsible koozie folds for easy travel. Very cool leather-like vinyl exterior in yellow with a foam backing. Imprinted in black with Corvette Racing Trackside "Jake" logo on one side, and the C7 Crossed Flags with Corvette Racing signature logo on the other. 5-1/4" h x 3-7/8" dia.

55747 Corvette Racing Koozie..... **\$4⁹⁹**





ENGRAVED CRYSTAL GLASSWARE

Fine crystal glassware, engraved with your choice of Corvette Logos. Available in many styles and each precision engraved to order. As each glass is engraved to order, please allow 2-3 weeks for delivery.

A. 15 OZ. HEAVY BASE COOLER

51807 C1	51811 C5
51808 C2	51812 C6
51809 C3	52322 C7
51810 C4	
4 pc set..... \$57 ⁹⁹	

B. 14 OZ. SHORT BEVERAGE

51813 C1	51817 C5
51814 C2	51818 C6
51815 C3	52323 C7
51816 C4	
4 pc set..... \$50 ⁹⁹	

C. 15 OZ. TALL BEVERAGE

51819 C1	51823 C5
51820 C2	51824 C6
51821 C3	52324 C7
51822 C4	
4 pc set..... \$50 ⁹⁹	

D. 17 OZ. MAXIM MUG

51825 C1	51829 C5
51826 C2	51830 C6
51827 C3	52325 C7
51828 C4	
4 pc set..... \$60 ⁹⁹	

E. 2 OZ. CORDIAL SHOT GLASS

51840 C1	51844 C5
51841 C2	51845 C6
51842 C3	52317 C7
51843 C4	
Each..... \$12 ⁹⁹	

F. 12.5 OZ. WINE

51831 C1	51835 C5
51832 C2	51836 C6
51833 C3	52326 C7
51834 C4	
Pair..... \$33 ⁹⁹	

C7 CAR COASTERS

These coasters fit right into the bottom of your cupholder and will absorb any moisture. Protects your cupholders while keeping them clean.

55750 C7 Coasters - 2 pc \$12⁹⁹



Call or go online today to see our complete line of products and place your order!

CORVETTE RACING GLASS

Celebrate your favorite racing team with this 1.75 oz tapered glass with "Jake" there to greet you at the finish! Corvette Racing C7 Crossed Flags on the outside, and "Jake" logo is printed on inside bottom.

55745 Corvette Racing 1.75 oz. Glass \$14⁹⁹



FOSSIL RFID-SECURE MONEY CLIP

Made of high-quality leather, this bifold money clip contains a special lining to help protect the RFID chips in your credit and debit cards from unwanted scanning. Features 1 money clip and 6 credit card slots. Debossed with the Corvette signature and Fossil logos. 1-year limited manufacturer warranty. 4"L x 2.75"H.



55729 Fossil Secure Money Clip \$57⁹⁹



CARBON FIBER MONEY CLIPS

These money clips utilize genuine carbon fiber construction to accommodate up to 40 bills. Additionally, the curled design provides pressure to keep all of your money secure. Available with C7 Corvette signature and Stingray logos or Z06 logo.

55730 Stingray CF Money Clip..... \$37⁹⁹

55731 Z06 CF Money Clip \$37⁹⁹



WARNING: Cancer and Reproductive Harm - www.P65Warnings.ca.gov

(833) 4TopFlight | TopFlightAutomotive.com





C7 STINGRAY TRAVEL CHAIR

Furniture grade quality. Aluminum frame and armrests make it strong, yet lightweight. Extra-large size with deluxe nylon and mesh insert, with thick padding on seat and back. Side seat pocket with insulated beverage holder. Includes extra large matching carry bag in 600 denier polyester. The C7 Corvette Stingray emblem comes printed on the upper back of the chair and on the travel bag. 400 lb. capacity. 25.5" x 22.5" x 35".

52307 C7 Stingray Folding Chair **\$137⁹⁹**



CORVETTE TRAVEL CHAIRS

Classic folding chair is made with two layers of strong 600 denier polyester. High quality steel tubing, oversized rivets and seat belt webbing reinforcements throughout. Armrests with mesh drink holder. Logo screened on back of chair. Complete with matching stuff sack. Color: Black

55734 C5 Travel Chair **\$66⁹⁹**
55735 C6 Travel Chair **\$66⁹⁹**
55736 C7 Travel Chair **\$66⁹⁹**

Follow us on Facebook, Instagram & Twitter!



57668

MAHOGONAY CORVETTE MODELS

Beautiful models handcrafted out of solid mahogany wood. Made using a wood lathe, hand etched and sanded to a high gloss finish to reveal the rich gran of the wood.



57669

57668 1956-57 Mahogany Wood Model **\$79⁹⁹**
57669 1963 Mahogany Wood Model **\$79⁹⁹**



AUTOMOTIVE LEGO SETS

Discover innovative engineering and design with these LEGO automotive sets. These sets showcase iconic sports cars and feature realistic movement and mechanisms that provide an immersive and rewarding building experience. Suitable for ages 9 and older.



57080 Corvette ZR1 Lego Set **\$49⁹⁹**
C57201 Camaro ZL1 Race Car Lego Set **\$14⁹⁹**
CL57203 2018 Dodge Challenger & 1970 Charger Lego Set **\$29⁹⁹**



1957 DIECAST CORVETTE SS MODEL

55925 1957 Corvette SS Diecast Model - Blue - 1/43 Scale **\$40⁹⁹**



CORVETTE DIE-CAST MODELS

Superb paint, finish and details! These unique 1:18 scale die-cast models feature opening doors, hood & trunk, a functional steering wheel and an accurately detailed interior. The perfect gift for any collector. The best quality scale models! Approximate size: 10 inches x 3 inches.



1954 CORVETTE DIE-CAST MODEL

55915 1954 Red Corvette Diecast Model..... **\$152⁹⁹**



C7 GRAND SPORT CORVETTE DIE-CAST MODEL

55904 C7 Grand Sport - Watkins Glen - Diecast Model **\$184⁹⁹**



C7 CORVETTE GRAND SPORT DIE-CAST MODEL

55907 C7 Grand Sport - Admiral Blue with White Stripes **\$184⁹⁹**



C7 GRAND SPORT CORVETTE DIECAST MODEL

55905 C7 Grand Sport - Black/White Diecast Model..... **\$184⁹⁹**



C7 CORVETTE GRAND SPORT DIE-CAST MODEL

55906 C7 Grand Sport - Red with White Stripes **\$184⁹⁹**



C7 TORCH RED CORVETTE DIECAST MODEL

55901 C7 Torch Red Diecast Model **\$173⁹⁹**



WARNING: Cancer and Reproductive Harm -
www.P65Warnings.ca.gov

(833) 4TopFlight | TopFlightAutomotive.com



CORVETTE DIE-CAST MODELS

Superb paint, finish and details! These unique 1:18 scale die-cast models feature opening doors, hood & trunk, a functional steering wheel and an accurately detailed interior. The perfect gift for any collector. The best quality scale models! Approximate size: 10 inches x 3 inches.



C7 LAGUNA BLUE TINTCOAT CORVETTE DIECAST MODEL

55902 C7 Laguna Blue Corvette Diecast Model **\$173⁹⁹**



C7R LEMANS 24 HOURS 2016 DIECAST MODEL

55908 C7R Lemans 24 Hours 2016 Diecast Model **\$152⁹⁹**



C7 Z06 C7R EDITION CORVETTE DIE-CAST MODEL

55900 C7 Z06 C7R Edition Corvette Diecast Model - Yellow **\$184⁹⁹**



C7R LIME ROCK 2016 DIECAST MODEL

55910 C7R Lime Rock 2016 - Gavin/Milner - Diecast Model **\$152⁹⁹**



C7R WHITE CORVETTE DIE-CAST MODEL

55912 C7R White Corvette - Plain Version - Diecast Model **\$132⁹⁹**



C7R LIME ROCK 2016 2ND PLACE DIECAST MODEL

55911 C7R Lime Rock 2016 - Garcia/Magnussen Diecast Model . **\$152⁹⁹**



C8 CORVETTE DIE-CAST MODELS

Superb paint, finish and details! Full interior details with switch gear, engine viewing window and correct paint make this the most accurate scale model of the C8!



C8 DIECAST MODEL - RED

58605 C8 Diecast Model - Red \$149⁹⁹



C8 CONVERTIBLE DIECAST MODEL - ELKHART BLUE

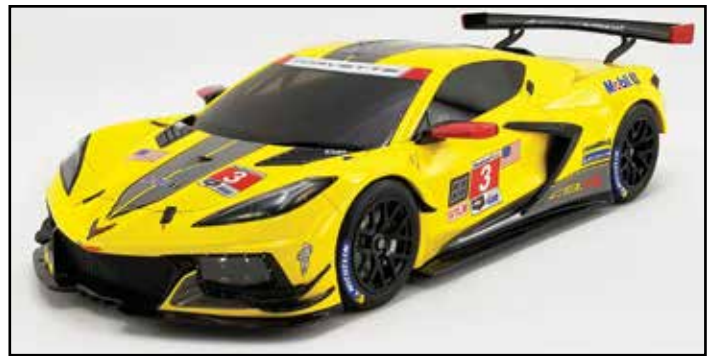
58606 C8 Diecast Model - Elkhart Blue \$149⁹⁹



C8 DIECAST MODEL - ACCELERATE YELLOW

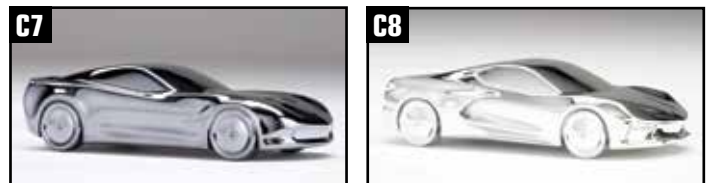
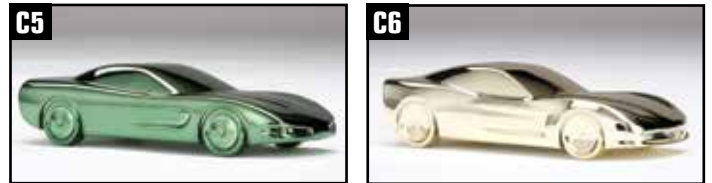
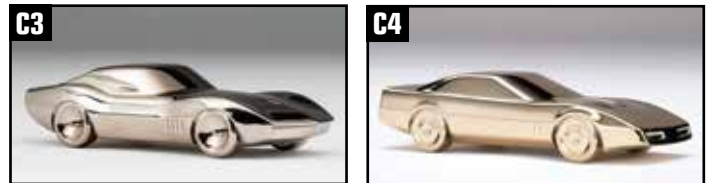
58626 C8 Diecast Model - Accelerate Yellow \$139⁹⁹

Call or go online today to see our complete line of products and place your order!



C8R DIECAST MODEL

58640 C8R Diecast Model \$139⁹⁹



C1-C8 HANDMADE MODEL SCULPTURES

Sculpted and designed by Remco de Reus. Each sculpture is hand-cast in stone filled resin, hand finished and plated in aluminum, followed by five coats of spray painting with a tinted lacquer.



58595	C1 Handmade Sculpture	\$149 ⁹⁹
58596	C2 Handmade Sculpture	\$149 ⁹⁹
58597	C3 Handmade Sculpture	\$149 ⁹⁹
58598	C4 Handmade Sculpture	\$149 ⁹⁹
58599	C5 Handmade Sculpture	\$149 ⁹⁹
58600	C6 Handmade Sculpture	\$149 ⁹⁹
58601	C7 Handmade Sculpture	\$149 ⁹⁹
58602	C8 Handmade Sculpture	\$149 ⁹⁹



WARNING: Cancer and Reproductive Harm -
www.P65Warnings.ca.gov

(833) 4TopFlight | TopFlightAutomotive.com





56401



56402



56403



56404



56407



56405

CORVETTE NEON SIGNS AND CLOCKS

- 56400 Corvette Bowtie Neon Sign\$300⁹⁹
- 56401 Corvette Neon Sign with Blue Outer Ring\$300⁹⁹
- 56402 Corvette C2 Stingray Round Neon Sign with Backing\$300⁹⁹
- 56403 Corvette C5 Neon Sign with Backing\$300⁹⁹
- 56404 Corvette C6 Flags Neon Sign with Backing\$300⁹⁹
- 56405 Corvette C7 Neon Sign with Backing\$300⁹⁹
- 56406 Dad's Garage Neon Sign with Backing\$300⁹⁹
- 56407 Art Decco Marquee Corvette Neon Sign In Steel Can\$714⁹⁹
- 56408 Corvette Flags 36 Inch Neon Sign In Metal Can\$749⁹⁹
- 56410 Corvette Flags 15 Inch Backlit LED Lighted Sign\$107⁹⁹



56411



56413

CORVETTE NEON CLOCKS

- 56411 Corvette C1 Neon Clock\$61⁹⁹
- 56412 Corvette C5 Neon Clock\$61⁹⁹
- 56416 Corvette C5 Neon Sculpture\$69⁹⁹
- 56413 Corvette C6 Neon Clock\$61⁹⁹



LIGHTED CORVETTE CLOCKS

Clocks measure 14" across. The outer high quality optical lexan lens is scratch resistant and won't yellow. The advertisement face is placed with an UV dried computer controlled printing process that will last for many years. Rim has a LED circuline bulb with an on/off switch in the cord. The clock is a battery operated quartz movement that runs on 1 AA battery.

- 52650 Corvette Lighted Clock with 1956-57 Logo\$159⁹⁹
- 52651 Corvette Lighted Clock with C1 Logo\$159⁹⁹
- 52652 Corvette Lighted Clock with C2 Logo\$159⁹⁹
- 52653 Corvette Lighted Clock with C3 Logo\$159⁹⁹
- 52654 Corvette Lighted Clock with C4 Logo\$159⁹⁹
- 52655 Corvette Lighted Clock with C5 Logo\$159⁹⁹
- 52656 Corvette Lighted Clock with C6 Logo\$159⁹⁹
- 52657 Corvette Lighted Clock with C7 Logo\$159⁹⁹



57606



57607



57608



57609



57610



57611

CORVETTE LED CLOCKS

These LED Lighted Clocks have a look and feel of the vintage clocks from the 50's yet feature modern technology from the 21st century. The clocks measure 14 inches across. The outer lens is made from high quality optical lexan held in place with 3 removable rivets. Scratch resistant and won't yellow over time. **Go online to see more clock designs!**

- 57606 1958 LED Clock - Silver C1\$159⁹⁹
- 57607 1964 LED Clock - Stingray\$159⁹⁹
- 57608 1959 LED Clock - Red C1\$159⁹⁹
- 57609 1957 LED Clock - Fuel Injection.....\$159⁹⁹
- 57610 1962 LED Clock - Red C1\$159⁹⁹
- 57611 1984-96 LED Clock - C4 Tech.....\$159⁹⁹

Call or go online today to see our complete line of products and place your order!





57612



57613



57614



57615



57618



57623



57625



57627



57628



57638



57645



57649

CORVETTE LED CLOCKS

These LED Lighted Clocks have a look and feel of the vintage clocks from the 50's yet feature modern technology from the 21st century. The clocks measure 14 inches across. The outer lens is made from high quality optical lexan held in place with 3 removable rivets. Scratch resistant and won't yellow over time. **Go online to see more clock designs!**

57612	1954 LED Clock - White C1 with Bowtie.....	\$159⁹⁹
57613	1966 LED Clock - Sinclair.....	\$159⁹⁹
57614	1963-67 LED Clock - C2 Blue.....	\$159⁹⁹
57615	2005-2013 LED Clock - C6 Dash.....	\$159⁹⁹
57618	1963-67 LED Clock - C2 Black Tie	\$159⁹⁹
57623	2014-2019 LED Clock - C7 Black Tie	\$159⁹⁹
57625	1984-96 LED Clock - C4.....	\$159⁹⁹
57627	1974 LED Clock - Esso Shop	\$159⁹⁹
57628	1953 LED Clock - White C1	\$159⁹⁹
57638	1997-2004 LED Clock - C5 History.....	\$159⁹⁹
57645	1967 LED Clock - Stingray	\$159⁹⁹
57649	2014-2019 LED Clock - C7 Artic White	\$159⁹⁹



CORVETTE PARKING SIGNS

Reserve your spot with these 12" x 18" metal Corvette Parking Signs.

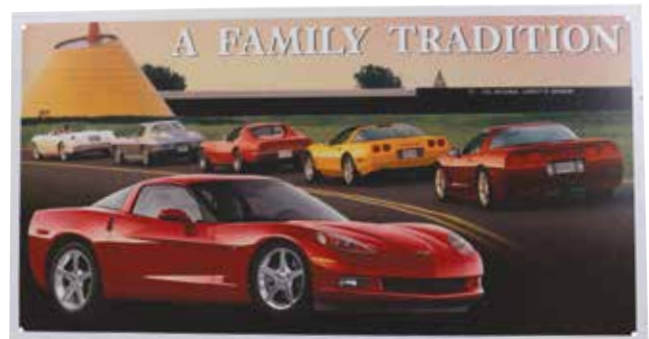
49283	Corvette Parking Only	\$35⁹⁹
49433	Corvette Parking Only w/ C5 Emblem.....	\$30⁹⁹



CORVETTE STREET SIGNS

Perfect for office, garage, shop or at the end of your lane. Sizes: 6" x 32".

49434	C6 Corvette Drive	\$30⁹⁹
49435	C5 Corvette Drive	\$30⁹⁹
49436	Z06 Corvette Drive	\$30⁹⁹
49284	Corvette Drive	\$30⁹⁹



CORVETTE TIN SIGN

49281	Tin Sign - "A Family Tradition"	\$18⁹⁹
--------------	---------------------------------------	--------------------------

Follow us on Facebook, Instagram & Twitter!



WARNING: Cancer and Reproductive Harm - www.P65Warnings.ca.gov

(833) 4TopFlight | TopFlightAutomotive.com





UN0225



UN0228



UN0246



UN0254



UN0240

CHEVROLET THERMOMETERS

- UN0225 Chevrolet Metal Thermometer \$21⁹⁹
- UN0228 Chevrolet Thermometer \$29⁹⁹
- UN0240 Chevrolet Thermometer Sign - Super Chevy Service \$21⁹⁹
- UN0246 Chevrolet Glow in the Dark Thermometer \$29⁹⁹
- UN0254 Chevrolet Oversized Thermometer \$29⁹⁹



UN0224



UN0226



UN0258



UN0262



UN0263



UN0231



UN0229



UN0234

CHEVROLET MAGNETS

- UN0224 Chevrolet Parts Die Cut Embossed Magnet \$6⁹⁹
- UN0226 Chevrolet Parts Die Cut Embossed with Knock Out Magnet .. \$6⁹⁹
- UN0229 Chevrolet Die Cut Embossed Magnet \$6⁹⁹
- UN0231 Chevrolet - Super Service - Embossed Magnet \$6⁹⁹
- UN0232 Chevrolet Die Cut Embossed Magnet - Camo \$21⁹⁹
- UN0234 Chevrolet Garage Street Sign Magnet \$6⁹⁹
- UN0258 Chevrolet Embossed Tin Magnet \$6⁹⁹
- UN0262 Chevrolet Magnet - Super Service \$6⁹⁹
- UN0263 Chevrolet Die Cut Embossed Tin Magnet \$6⁹⁹



CHEVROLET DARTBOARD AND CLOCK

- UN0251 Chevrolet Super Service Dartboard \$49⁹⁹
- UN0257 Chevrolet Backlit Clock - Super Service \$99⁹⁹



CHEVROLET BOTTLE OPENER

- UN0233 Chevrolet Bottle Opener \$7⁹⁹



UN0267

UN0239

CHEVROLET SWITCH PLATES & SHELF

- UN0239 Chevrolet Quality Parts - Single Switch Plate \$9⁹⁹
- UN0267 Chevrolet Rustic MDF Shelf \$39⁹⁹



UN0241



UN0264



UN0243

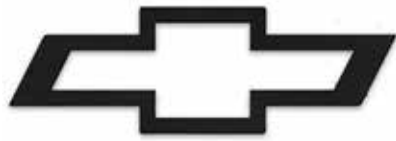
CHEVROLET WALL TRAY & HOOKS

- UN0243 Chevrolet Small Nested Wall Tray \$24⁹⁹
- UN0241 Chevrolet Wall Hook \$24⁹⁹
- UN0264 Chevrolet Wall Hook - 2 pc \$29⁹⁹



CHEVROLET

UN0260



UN0252



UN0261



UN0236



UN0237

CHEVROLET WALL ART & MORE!

- UN0260 Chevrolet Cast Metal Drawer Pull \$15⁹⁹
- UN0252 Chevrolet Logo Wall Art - Highlighted..... \$34⁹⁹
- UN0261 Chevrolet Metal Knob - Size: 1.375" wide..... \$9⁹⁹



CHEVROLET METAL CABINET

- UN0247 Chevrolet Die Cut Metal Cabinet - 12" W x 12" H..... \$39⁹⁹



UN0244



UN0253



UN0255



UN0265



UN0230



UN0242



UN0256

CHEVROLET SIGNS

- UN0230 Chevrolet Dr - Embossed Tin Sign..... \$21⁹⁹
- UN0242 Chevrolet Die Cut Embossed Tin Sign - Camo..... \$29⁹⁹
- UN0256 Chevrolet Die Cut Embossed Tin Sign - Bowtie Oversized.... \$29⁹⁹

CHEVROLET SIGNS

- UN0236 Chevrolet Die Cut Embossed Round Tin Sign \$24⁹⁹
- UN0237 Chevrolet Parts - High Gloss Metal Button Sign \$29⁹⁹
- UN0244 Chevrolet Tin Button Sign..... \$49⁹⁹
- UN0253 Chevrolet Embossed Round Tin Sign - Super Service \$24⁹⁹
- UN0255 Chevrolet Tin Button Sign - High Gloss \$21⁹⁹
- UN0265 Chevrolet Die Cut Embossed Tin w/ Knock Out \$24⁹⁹



CHEVROLET FLANGED SIGN

- UN0259 Chevrolet Flanged Wall Sign..... \$29⁹⁹



CHEVROLET SIGN

- UN0249 Chevrolet Used OK Cars Tin Sign..... \$21⁹⁹



UN0235



UN0245

UN0250



CHEVROLET SIGNS

- UN0235 Chevrolet Garage - High Gloss Embossed Metal Sign \$28⁹⁹
- UN0245 Chevrolet Speed Shop Metal Sign \$29⁹⁹
- UN0250 Chevrolet Die Cut Embossed Tin Sign \$29⁹⁹



57857



57859



57858



57862



57863



57855



57861

57854



57856

CORVETTE SIGNS & MAGNETS

A perfect addition to your garage, shop, man cave, she shed or Game room. These signs are a necessary addition for the lover of all things Corvette. Show everyone your passion for America's Sports Car and make your walls just a bit more awesome with these pieces of art.

- 57854 Corvette Embossed Tin Magnet - White Hotrod Vette \$6⁹⁹
- 57855 Die Cut Embossed Tin Corvette Schematics Sign..... \$29⁹⁹
- 57856 Corvette Magnet - Die Cut Embossed w/ Knockout \$6⁹⁹
- 57857 Corvette Blvd. - Die Cut Embossed Tin Sign \$24⁹⁹
- 57858 Corvette Die Cut MDF Bottle Opener \$9⁹⁹
- 57859 Corvette Drive - Metal Sign..... \$29⁹⁹
- 57860 Corvette Tin Button Sign..... \$49⁹⁹
- 57861 Corvette Hollow MDF - Chevrolet & Planes Sign..... \$29⁹⁹
- 57862 Corvette Single Die Cut Switch Plate..... \$9⁹⁹
- 57863 Corvette Embossed Tin Sign - Stacked Collage \$29⁹⁹



55926

FRAME YOUR OWN CORVETTE

Unique Corvette artwork sure to enhance any décor. Beautifully mounted and framed in black bison wood frames. Features a slot to include a photo of your own Corvette. Great gifts for the true Corvette enthusiast!

- 55926 C1 Corvette Frame Your Own with C1 Emblem..... \$101⁹⁹
- 55927 C2 Corvette Frame Your Own with C2 Emblem..... \$101⁹⁹
- 55928 C3 Corvette Frame Your Own with C3 Emblem \$101⁹⁹
- 55929 C4 Corvette Frame Your Own with C4 Emblem..... \$101⁹⁹
- 55930 C5 Corvette Frame Your Own with C5 Emblem..... \$101⁹⁹
- 55931 C6 Corvette Frame Your Own with C6 Emblem..... \$101⁹⁹
- 55932 C7 Corvette Frame Your Own with C7 Emblem..... \$101⁹⁹
- 55933 C7 Corvette Frame Your Own with Stingray Emblem \$101⁹⁹



WOOD CORVETTE PLAQUES

UV printed on black beveled MDF wood. Made in the USA!

- 55934 C7 Wood Plaque \$24⁹⁹
- 55935 JAKE Wood Plaque \$24⁹⁹



2021 CORVETTE WALL CALENDAR

Show your Corvette pride with this GM licensed full color wall calendar! Featuring eye candy examples of C1, C3, C6 & C7 Corvettes.

- 58639 Corvette Wall Calendar - 2021 \$14⁹⁹

Follow us on Facebook, Instagram & Twitter!





C7 CORVETTE CARBON OUTLINE FRAMED ART

55936 C7 Corvette Carbon Outline Framed Art\$91⁹⁹



CORVETTE TIMELINE FRAMED ART

55940 Corvette Timeline Framed Art\$91⁹⁹



GRAND SPORT CORVETTE FRAMED ART

55937 Grand Sport Generation Corvette Framed Art\$91⁹⁹



CORVETTE GENERATIONS PANORAMA FRAMED ART

55941 Corvette Generations Panorama Framed Art.....\$101⁹⁹



C7 Z06 CORVETTE BURN OUT FRAMED ART

55938 C7 Z06 Corvette Burn Out Framed Art\$91⁹⁹



CORVETTE WORD ART PANORAMA FRAMED ART

55942 Corvette Word Art Panorama Framed Art\$101⁹⁹



CORVETTE MOSAIC PANORAMA FRAMED ART

55943 Corvette Mosaic Generation Panorama Framed Art\$101⁹⁹



C7 CORVETTE BLUEPRINT FRAMED ART

55939 C7 Corvette Blueprint Framed Art\$81⁹⁹



CORVETTE C7 GALLERY CANVAS

55947 Corvette C7 Gallery Canvas.....\$60⁹⁹

Call or go online today to see our complete line of products and place your order!

Follow us on Facebook, Instagram & Twitter!



WARNING: Cancer and Reproductive Harm - www.P65Warnings.ca.gov

(833) 4TopFlight | TopFlightAutomotive.com





PREMIUM FLANNEL CAR COVERS **3 YEAR WARRANTY**

INDOOR cover — Pamper your Vette in a thick, double-napped layer of superior protection! 100% breathable & mildew resistant. **Free Storage Bag, Cable & Cable Lock included!**

#4019 84-90 #4027 91-96 #4035 97-04

Premium Flannel Car Covers **\$153⁹⁹**



MAXTECH CAR COVERS **2 YEAR WARRANTY**

INDOOR or OUTDOOR cover — Features four layers of protective, breathable material. Front & rear elastic, custom fit mirror pockets & non-scratch tie-down grommets. **Free Storage Bag, Cable & Cable Lock included!**

#X21559 84-90 #X21560 91-96 #X21561 97-04

MaxTech Car Covers **\$92⁹⁹**



SOFTSHIELD CAR COVERS **2 YEAR WARRANTY**

INDOOR or OUTDOOR cover — Three outer layers of durable UV treated polypropelene material. The inner layer is made of soft polyester that will protect your Vette's finish. **Free Storage Bag, Cable & Cable Lock included!**

#23563 84-96 #23564 97-04

SoftShield Car Covers **\$143⁹⁹**



THE WALL CAR COVERS **2 YEAR WARRANTY**

INDOOR or OUTDOOR cover — Put the "Wall" around your Vette & keep it safe from the rain, snow, ice, tree sap, dirt & debris that bothers outside parkers. **Free Storage Bag, Cable & Cable Lock included!**

#X2163 84-90 #X2164 91-96 #X2165 97-04

The WALL Car Covers **\$102⁹⁹**



ECONO TECH CAR COVERS **1 YEAR WARRANTY**

INDOOR cover — A light, single-layer indoor cover that repels water & dirt but remains breathable. One of the finest budget-priced covers. **Free Storage Bag, Cable & Cable Lock included!**

#21538 84-96 #21539 97-04

Econo Tech Car Covers **\$50⁹⁹**





ONYX CAR COVERS *3 YEAR WARRANTY*

INDOOR cover — The Onyx Car Cover is the Premium Cover for the Premium Sports Car. Made of a polyester blend that includes Lycra/Spandex, it creates the perfect combination of a Satin-like exterior feel with a luxuriously soft underside to pamper your Corvette's finish. The front & rear hems, mirror pockets and generation-specific patterns are tailored to your Corvette. Its stretchability results in a sleek, form-fitting look that is easy to slip on. Storage bag included!



ONYX Car Covers **\$154⁹⁹**

#52264 84-96

#52265 97-04



SILVERGUARD CAR COVERS *EMBROIDERED LOGO!*

The Silverguard Car Cover offers great protection and an eye-catching metallic look. This specially manufactured material is a woven polyester treated with an aluminized finish. The result is an extremely soft cover that prevents scratching yet will not absorb water. Lightweight & easy-to-handle cover is custom fit for the C5, C6 & C7 with elastic hems, mirror pockets & tie-down grommets.

- 43677** 97-04 Silverguard Cover w/ C5 Logo **\$172⁹⁹**
- 43678** 97-04 Silverguard Cover w/ Z06 Logo **\$172⁹⁹**

STORMSHIELD CAR COVERS *EMBROIDERED LOGO!*

Stormshield is weatherproof, UV resistant, breathable and dust-proof. It features front and rear sewn-in elastic hems, mirror pockets, double-stitched seams and non-scratch tie-down grommets. Lightweight material washes easily, dries quickly and folds to a manageable size to store in your rear cargo area.

- 23680** 97-04 Stormshield Cover - Black w/ Logo **\$313⁹⁹**
- 23683** 97-04 Stormshield Cover - Red w/ Logo **\$313⁹⁹**
- 43679** 97-04 Stormshield Cover - Red/Black Two-Tone w/ Logo ... **\$356⁹⁹**



WARNING: Cancer and Reproductive Harm - www.P65Warnings.ca.gov

(833) 4TopFlight | TopFlightAutomotive.com



POLICIES

Terms and Conditions: Goods and/or services sold by our company, hereinafter referred to as "Seller", to customer, hereinafter referred to as "Buyer", are expressly subject to these terms and conditions set forth below. Any proposal for different or additional terms and conditions contained in any prior oral or written communication, including, without limitation, are hereby objected to and rejected, but such proposal shall not operate as a rejection of this agreement unless such variances are in the terms of the description, quantity, price or delivery schedule of the goods and/or services but shall be deemed a material alteration thereof, and this agreement shall be deemed accepted by Buyer without said additional or different terms. Buyer's acceptance of shipment or performance and/or payment for the goods or services constitutes acceptance of Seller's terms and conditions. The Seller may, from time to time, change or supplement these terms and conditions.

Payment: We Accept Credit & Debit Cards, Checks and Money Orders. Payment must be received in full prior to shipment.

Prices Subject to Change: All prices and/or discounts are subject to change without prior notice. All prices quoted by Seller will be in effect for a period of thirty (30) days from the date of the written quotation unless otherwise stated. While every effort is made to ensure accuracy, Seller is not responsible for errors or omissions or unforeseen price adjustments in distributed catalogs or our website. Note: Some non-discount, limited discount or pre-discounted items may be excluded from certain promotional pricing and cannot be combined with other offers.

Limited Warranty: Seller makes every effort to list the warranty for each product on the product webpage. Unless otherwise specified, all products are warranted to be free of defects in workmanship and materials under normal use for a period of 30 days from the invoice date.

Limitation of Liability: Seller's liability on any claim for loss or damage arising out of this contract or from the performance or breach thereof or connected with any goods or services supplied hereunder, or the sale, resale, operation or use of goods, whether based on contract, warranty, tort (including negligence) or other grounds shall not exceed the price allocable to such goods or services or part hereof involved in the claim regardless of cause or fault. Seller shall not under any circumstances be liable for any labor charges without its prior written consent. In no event shall Seller be liable for any incidental or consequential damage, including but not limited to, loss of profits or revenue, loss of use of products or associated product, cost of capital, cost of substitute products, facilities or services, downtime costs, or claims of customers of Buyer for such damage.

Shipping Damage, Lost or Missing Merchandise:

Unless otherwise noted, all sales of goods are made F.O.B. point of shipment and, in all cases, title and risk of loss or damage shall pass upon Buyer with delivery to the carrier at point of shipment. Seller reserves the right of carrier selection. Delivery dates given in advance of actual shipment of goods or performance of services are estimates and shall not be deemed to represent fixed or guaranteed delivery dates. Buyer is required to examine all shipments upon arrival to ascertain condition. If any shortages or damages occurred in transit, please contact Seller within 5 days of receipt for instructions on how to proceed. Failing to do this could jeopardize the refund or replacement of the damaged or missing items. Please save the original box and packaging materials for inspection by the carrier. Damage/loss claims cannot be filed after 15 days from the date of receipt of the package. Items shipped via truck must be opened and inspected while the driver is still on the premises, and damage noted if there is any.

Refused Shipments: If a shipment is refused, customer will be charged for

shipping and handling plus a restocking charge of 15% of the product value.

Returns: You may return products other than Special Orders, if returned in unused, original condition in original packaging. There is no need to call for authorization. Complete the Return Form enclosed with your shipment and send the package back to us. It is recommended that you insure the package and retain your receipt of shipment. No COD returns will be accepted. Qualified returns will be refunded in the same method they were paid (i.e. credit card refund or refund check). There will be a full refund on returns up to 30 days from invoice date. Qualified returns older than 30 days but less than 90 days, will be assessed a 25% restocking fee. Special orders, custom products, electrical products, tools, books, videos, CD's/DVD's, exhaust products after installation, returns of partial sets/kits or returns more than 90 days old will not be accepted. Any unauthorized returns will be mailed back to customer at customer's expense.

Core Return Policy: Our rebuilders are not able to accept core returns on items once they have been modified in any manner. In order to receive full core credit, core returned must be from a vehicle that is the same year, application and options as the item ordered. Core must be complete, in rebuildable condition and drained of all fluids to receive full credit. Cores are to be shipped to Seller pre-paid by the customer. Core verification takes approximately 3-4 weeks. If you have any questions, please contact our Customer Service Department prior to returning.

Force Majeure: Seller shall not be liable for failure to deliver or for delay in delivery or performance due to (i) a cause beyond its reasonable control, (ii) an act of God, act or omission of Buyer, act of civil or military authority, governmental priority or other allocation or control, fire strike or other labor difficulty, riot or other civil disturbance, insolvency or other inability to perform by the manufacturer, delay in transportation, or (iii) any other commercial impracticability. If such a delay occurs, delivery or performance

shall be extended for a period equal to the time lost by reason of delay.

Indemnification: Buyer hereby (1) waives, releases and discharges any and all claims with the exception of claims for breach of this sales contract of every kind, including, but not limited, to injury or death of any person or damage to property, which it may have at any time against Seller, its agents or employees, by reason of or arising out of any condition of or defect in the goods and (2) covenants to indemnify and hold harmless Seller, its agents and employees from and against any and all loss, damage, expense, claims, suits, costs of defense, including attorney's fees which Seller or any or its agents or employees may sustain or incur at any time for or by reason of any injury to

or death of any person or persons or damage to any property arising out of any condition of or defect in the goods or any claimed inadequate or insufficient safeguards of safety devices or warnings.

Governing Law: This Agreement shall be governed by and construed according to the laws of the State of Pennsylvania.

Entire Agreement: This Agreement sets forth the entire agreement and understanding of the parties relating to the subject matter herein and supersedes any prior discussions or agreements between them. No modification of or amendment to this Agreement, nor any waiver of any rights under this Agreement, shall be effective unless in writing, duly executed by both parties.

Severability: If any provision of this Agreement is held to be invalid by a court of competent jurisdiction, then the remaining provisions shall nevertheless remain in full force and effect.

Assignment: Buyer shall not assign or delegate any or all of its duties or rights hereunder without Seller's prior written consent. Any assignment or delegation made without Seller's consent shall be null and void.

Headings: Headings used in this Agreement are provided for convenience only and shall not be used to construe meaning or intent.



About California Proposition 65

California's Proposition 65 entitles California consumers to special warnings for products that contain chemicals known to the state of California to cause cancer and birth defects or other reproductive harm if those products expose consumers to such chemicals above certain threshold levels. We care about our customers' safety and hope that the information below helps with your buying decisions.

We are providing the following warning for products linked to this page:

WARNING: This product contains chemicals known to the State of California to cause cancer and birth defects or other reproductive harm.

Motor Vehicles

California requires the following notice:

WARNING: Motor vehicles contain fuel, oils and fluids, battery posts, terminals and related accessories which contain lead and

lead compounds and other chemicals known to the State of California to cause cancer, birth defects and other reproductive harm. These chemicals are found in vehicles, vehicle parts and accessories, both new and as replacements. When being serviced, these vehicles generate used oil, waste fluids, grease, fumes and particulates, all known to the State of California to cause cancer, birth defects, and reproductive harm.

Tools

California requires the following notice:

WARNING: Some dust and particles created by power and hand tools from cutting, sanding, sawing, grinding, drilling and other activities contains chemicals known to the State of California to cause cancer and birth defects or other reproductive harm.

Your risk from exposure to these chemicals varies, depending on how often you do this type of work. To reduce your exposure, work in a well-ventilated area and with approved safety equipment, such as dust masks that are specially designed to filter out microscopic particles.



1984-2004 CORVETTE CATALOG INDEX

	84-96	97-04		84-96	97-04
Air Conditioning	81-82	152-153	LED Taillights	85	155
Air Intake	48	124	License Plates & Frames	55	155
Armrest	32-33	117	Lights & Lenses	83-86	154-155
Battery	49	125	Locks	86	156
Belts	69	138	Mirrors	86	156
Brakes	50-53	126-128	Oil System	70	139
Brand Motion Cameras & Sensors	18-21	18-21	Pedals & Pads	87	157
Bumpers	54-55	129-130	Performance - Air Intake	2	2
Car Covers	212-213	212-213	Performance - Twin Turbo System		3
Carpet	36-37	119	Performance - Exhaust	4-10	5-11
Center Armrest	34	118	Performance - Aero		11
Clutch	90	159	Performance - Suspension		12-15
Color Codes	22	114	Performance - Brakes	16-17	16-17
Console	34-36	133-134	Radio & Antenna	87-88	157-158
Convertible Tops	47	123	Radiator	56-57	130-132
Cooling	56-58	130-132	Rocker Panels	74	149
Dash	58-61	133	Roof Panels	45,101	167
Dash Pads, Caps & Covers	34	134	Screw Sets	46	
Decals	62	135	Seat Belts	29	
Deck Lid	91	160-161	Seat Covers	22-27	114-115
Differential	99		Seat Foam	28	116
Distributor	66-67		Seat Hardware	28	116-117
Door	63-64	136-137	Shift Boots	36	118
Door Panels	30-31	117	Shifter	89	158-159
Door Panel Hardware	32-33	117	Sill Plates	33	137
Dye	46	119	Softtop	91	160
Emblems	65	137	Spare Tire	92	
Engine	66-71	138-143	Steering	92-93	161-163
Exhaust	72-73	144-145	Steering Wheels	42	161
Exterior Trim	74-75	146-148	Stereos, Speakers & CD Players		157
Fender Grippers	71	181	Suspension	94-97	163-166
Fiberglass	75-77	149	Sun Visors	43	122-123
Floor Mats	39-41	120-122	Switches	100	166
Frame & Body		149	Touch-Up Paint	87	156
Fuel System	78-79	150	Transmission	89-91	158-159
Gauges	61	134	Trunk Liners & Mats		161
Glove Box	61		Valve Covers	70	139
Hardtop	80		Ventilation	82	
Headliner	44-45		Water Pumps	58	132
Heater	81-82	152	Weatherstrip	103-105	168-169
Hood	82-83	153-154	Wheel & Tire Packages	106-107	170-171
Horn	92		Wheels	108-113	172-180
Jack Lifting Pucks		181	Wipers & Washers	113	181

© 2021 EXTRA MILE BRANDS Errors in copy and/or photographs are possible. Prices subject to change without notice. The following are registered trademarks of General Motors Corporation: Corvette, Stingray, Vette, Chevy, GM, ZR1, AC Delco, Z06 and Corvette Emblems. All logos shown are for informational use only. All rights are reserved. Printed in the United States of America. No part of this publication may be reproduced or transmitted in any way, mechanical, photo or otherwise, without the expressed permission in writing from Extra Mile Brands. For current pricing, call or visit our website.



LOYALTY PROGRAM

The Top Flight Automotive – Loyalty Program truly understands the Automotive Enthusiast. Our ground-breaking program takes into consideration that building your dream car takes time. That’s why every dollar you spend counts towards Deeper Discounts and access to Special Promotions! The best part is that all your LIFETIME Purchases made from Corvette America, Mustang America, Classic Fit Covers and Classic Car Dashes count toward your Top Flight Automotive ranking! That means your loyalty is rewarded at Top Flight Automotive on DAY ONE by Transferring your Status! There is no action required to sign-up, your rewards begin accruing with your first purchase. **Start earning rewards today!**



BENEFITS	FLIGHT CREW	AVIATOR	COMMANDER	TOP GUN
Lifetime Purchases:	\$0 - \$2,500	\$2,501 - \$5,000	\$5,001 - \$10,000	\$10,001+
Every dollar spent counts towards loyalty discounts	X	X	X	X
Phone-In Access to Experienced Representatives	X	X	X	X
Order Tracking	X	X	X	X
Access to Special Offers	X	X	X	X
Access to Contests and Giveaways	X	X	X	X
24 Hour / Day Online Shopping	X	X	X	X
Free Catalogs Upon Request	X	X	X	X
TIER 1: Access to Weekly Promotions / Discounts	X	X	X	X
TIER 2: Discounts on Every Order (Up To 18% Off)		X	X	X
TIER 3: Discounts on Every Order (Up To 30% Off)			X	X
TIER 4: Discounts on Every Order (Up To 38% Off)				X
Exclusive Assigned Account Representative				X

For complete details visit TopFlightAutomotive.com/loyalty-program

ABOUT TOP FLIGHT AUTOMOTIVE

Top Flight Automotive specializes in parts and accessories for all your favorite brands. From Corvette, Mustang, Camaro, Nova, Fairlane and others, we enable you to start repair and restoration projects large and small. The sky is the limit at Top Flight Automotive — we'll work to supply everything you need for classic, vintage and current sports models. The experts at Top Flight Automotive are car enthusiasts ready to assist you with upgrades, performance add-ons, maintenance, car care products and much more. We provide our customers with the largest in-stock inventory for sports car parts & accessories, and our sales team has more than 175 years of combined experience that will help them guide you through the selection process. Our company occupies a 200,000+ sq. ft.



Top Flight Automotive is an Extra Mile Brands company.

Our company occupies a 200,000+ sq. ft. headquarters/warehouse in central Pennsylvania. Our hours of operation are Monday-Friday 8am – 8pm, Saturday 9am – 2pm (Phone Sales Only) and our Showroom is open from 9am – 4:30pm Monday thru Friday. We look forward to serving you!



TOP FLIGHT AUTOMOTIVE

100 Classic Car Drive,
Reedsville, PA 17084

(833) 4TopFlight
or (833) 486-7354

TopFlightAutomotive.com

SOURCE CODE **TF8404C**

1984-2004 CORVETTE CATALOG



#TF8404C



**Top Flight Automotive
Gift Certificates Available!**



ALL YOUR FAVORITE BRANDS UNDER ONE WING!

TopFlightAutomotive.com